

POLARIS

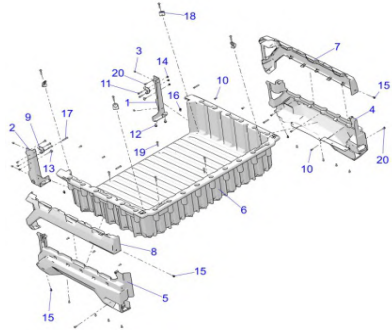
RZR

Parts Catalogue

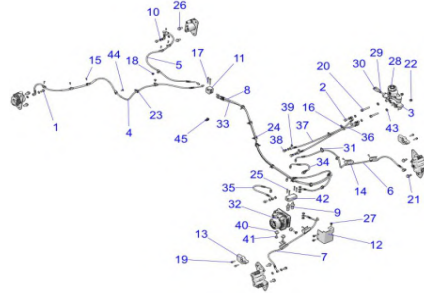


ASSEMBLIES : 2022 RGR RANGER XP 1000 EPS EU/TR/ZUG (R02) - R22RRS99C9/CK/CM/F9/FM/EF9/EFM/PCG/E99FM/E99PM

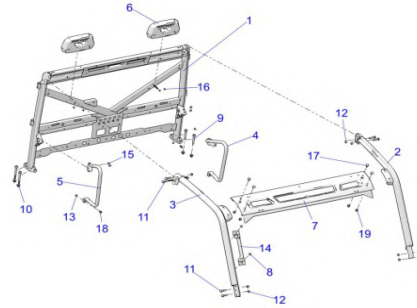
1 - BODY



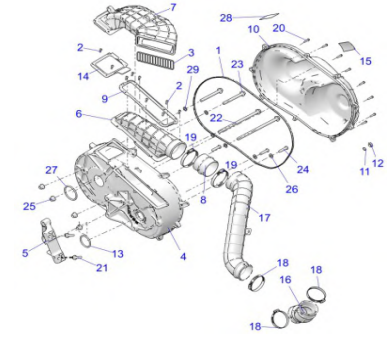
2 - BRAKES



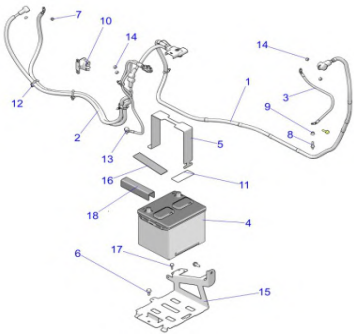
3 - CHASSIS



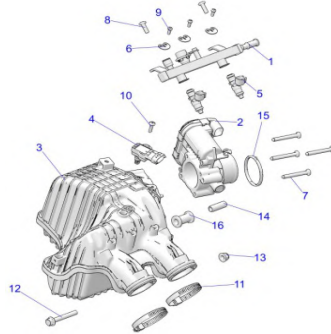
4 - DRIVE TRAIN



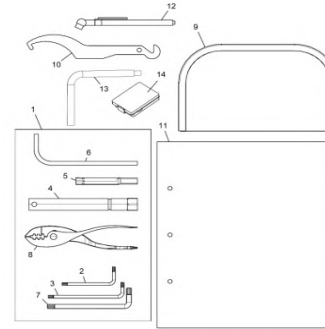
5 - ELECTRICAL



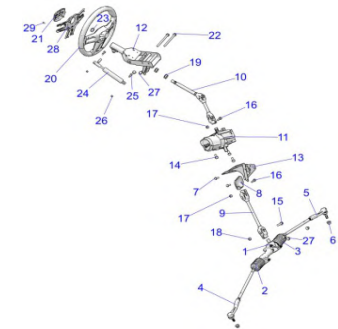
6 - ENGINE



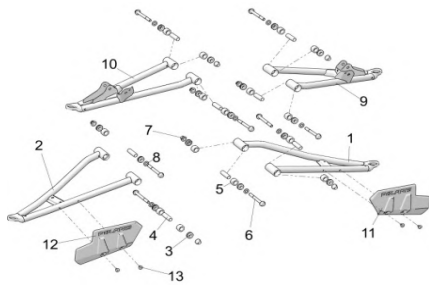
7 - OWNERS MANUAL



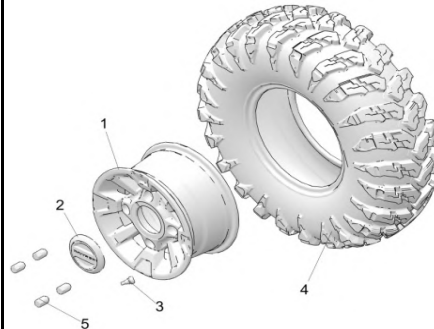
8 - STEERING



9 - SUSPENSION



10 - WHEELS

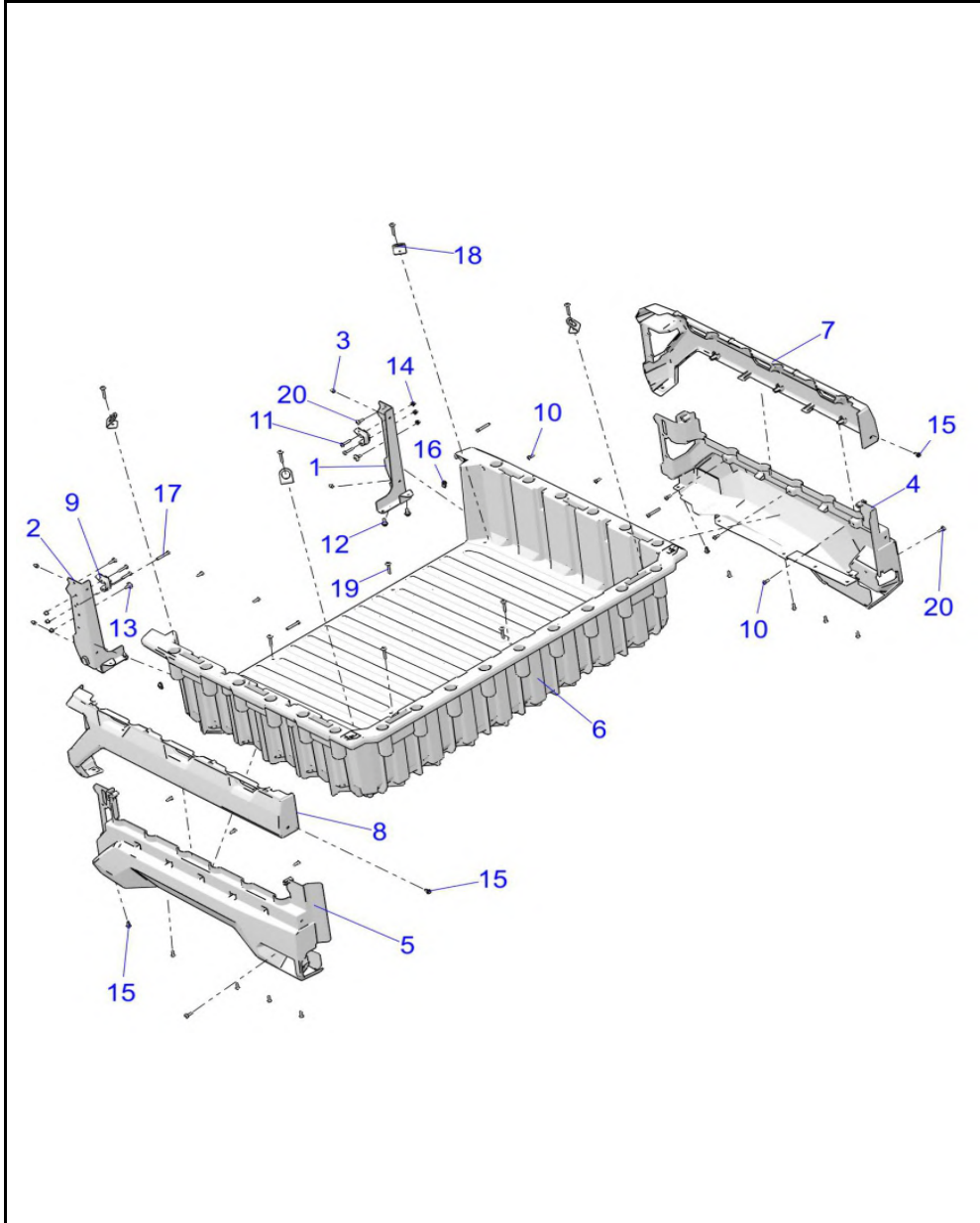


11 - ACCESSORIES



BODY, BOX

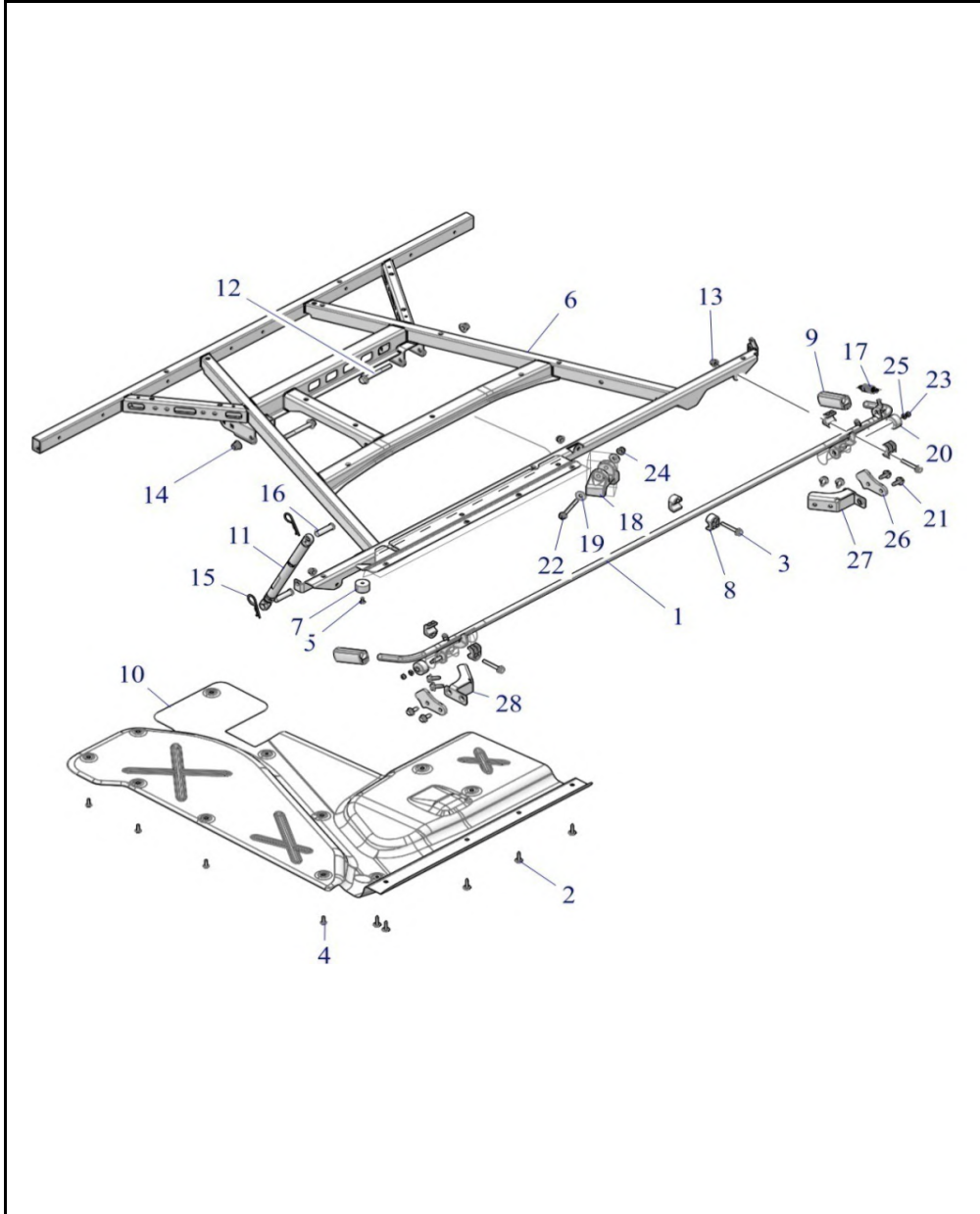
ASSEMBLIES : 2022 RGR RANGER XP 1000 EPS EU/TR/ZUG (R02) - R22RRS99C9/CK/CM/F9/FM/EF9/EFM/PCG/E99FM/E99PM



POS	SAP	Part Name	Qty
1	1047187	WELD-TAILGATE SUPPORT,LH,BLK	1
2	1047188	WELD-TAILGATE SUPPORT,RH,BLK	1
3	1047189	BUMPER-RUBBER,TAILGATE	4
4	1011969	PANEL-BOX,OUTER,LH,BLK	1
5	1011970	PANEL-BOX,OUTER,RH,BLK	1
6	1048281	K-BOX,CARGO,RGR XP,EU/ZUG [INCL. WARN DECAL][SF9][SFM][EF9][EFM]	
6	1048282	K-BOX,CARGO,RGR XP,TR [INCL. WARN DECAL][SC9][SCK][SCM]	1
6	1046529	K-ASM,BOX,CARGO RGR ABS XP TR [INCL. WARN DECAL][PCG]	1
6	1048283	PANEL-TRIM,LH,LE,POLARIS PURSUIT CAMO [SC9][SF9][EF9]	1
7	1048284	PANEL-TRIM,LH,LE,BLK. PEARL [SCK]	1
7	1048285	PANEL-TRIM,LH,LE,M.TTNM.MET [SFM][SCM][SFM][EFM]	1
7	1048286	PANEL-TRIM,LH,LE,G.GREY [PCG]	1
8	1048287	PANEL-TRIM,RH,LE,POLARIS PURSUIT CAMO [SC9][SF9][EF9]	1
8	1048288	PANEL-TRIM,RH,LE,BLK. PEARL [SCK]	1
8	1048289	PANEL-TRIM,RH,LE,G.GREY [PCG]	1
8	1048290	PANEL-TRIM,RH,LE,M.TTNM.MET [SFM][SCM][SFM][EFM]	1
9	1046530	LATCH-TAILGATE HOOK	2
10	1039758	SCR-TXPH-#14 X .75 HI-LO RIE	10
11	1045689	SCR-HWH-M8X1.25X20 TAP/R ZPB	4
12	1046531	SCR-M6X1X35,TX TR,BLK	4
13	1046532	SCR-TXTH-M6X1.0X20 ZPB SHDR	2
14	1014499	NUT- M8X1.25, FLG, NYLOC-OLIVE D	6
15	1014589	RIVET-TUFLOK,.315-.325X.787	4
16	1045988	CLIP, U SPEED, NUT, M6	2
17	1040444	SCR-1/4X2 HI/LO-PH-PN TRX-M	4
18	1046533	BRKT-TIE DOWN	4
19	1046534	SCR-TXTH-M6X1.0X45 TAP ZPB	9
20	1014459	SCR-TXTH-M6X1.0X25 ZFB	4

BODY, BOX, MOUNTING

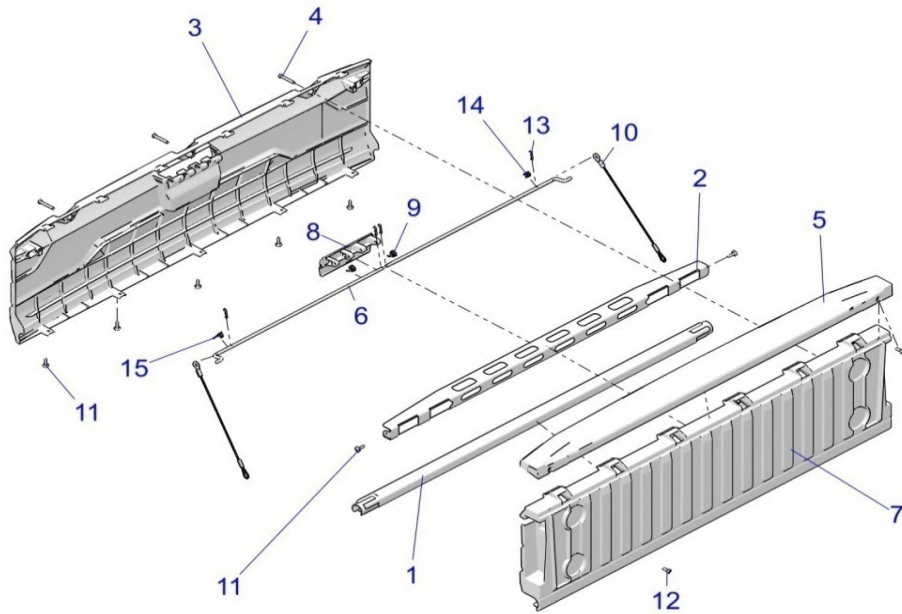
ASSEMBLIES : 2022 RGR RANGER XP 1000 EPS EU/TR/ZUG (R02) - R22RRS99C9/CK/CM/F9/FM/EF9/EFM/PCG/E99FM/E99PM



POS	SAP	Part Name	Qty
1	1047172	WELD-BOX LATCH,BLK	1
2	1014459	SCR-TXTH-M6X1.0X25 ZFB	4
3	1039664	SCR-M8X1.25X50 HX/FL-Y	3
4	1046536	SCR-TXPH-#14X5/8 HI/LO CLR	7
5	1046746	RIVET-POP 3/16 (.376-.500) AL-LFB	2
6	1047173	WELD-BOX SUPPORT,SHORT,BLK	1
7	1046539	BUMPER, BOX	2
8	1046540	BUSHING, BOX, LATCH	6
9	1046541	HANDLE, BOX, LATCH	2
10	1047174	SHIELD-BOX,CARGO	1
11	1046546	SHOCK-BOX,DUMP,RGR,441MMEXT	1
12	1014457	SCR-HXFL-M10X1.25X80 8.8 ZOD	2
13	1046547	NUT-M8X1.25,HXFLG,NYLON INS	3
14	1014500	NUT-M10X1.25, FLG, NYLOC-OLIVE D	2
15	1040152	CLIP-HITCHPIN .148X3 1/16	2
16	1046548	PIN-CLEVIS,1/2 X 1 3/4	2
17	1047175	Spring, Exhaust	2
18	1047176	BUMPER-LOCATING	2
19	1047268	WASHER-8.4X24.0X2.0 ZPB	2
20	1047177	ROLLER-CAM,LATCH	1
21	1039688	SCR-TFHFL-M8X1.25X20 CHS ZOD	1
22	1047178	SCR-HXFL-M8X1.25X70 10.9 ZFB	2
23	1039777	NUT-HEXHD,M6,DIN980V,0600100	3
24	1014499	NUT- M8X1.25, FLG, NYLOC-OLIVE D	2
25	1048291	WASHER-FLAT	2
26	1047179	BRKT-PLATE,CAM,ECOAT	2
27	1047180	BRKT-SPACER,LH,ECOAT	2
28	1047181	BRKT-SPACER,RH,ECOAT	2

BODY, BOX, TAILGATE

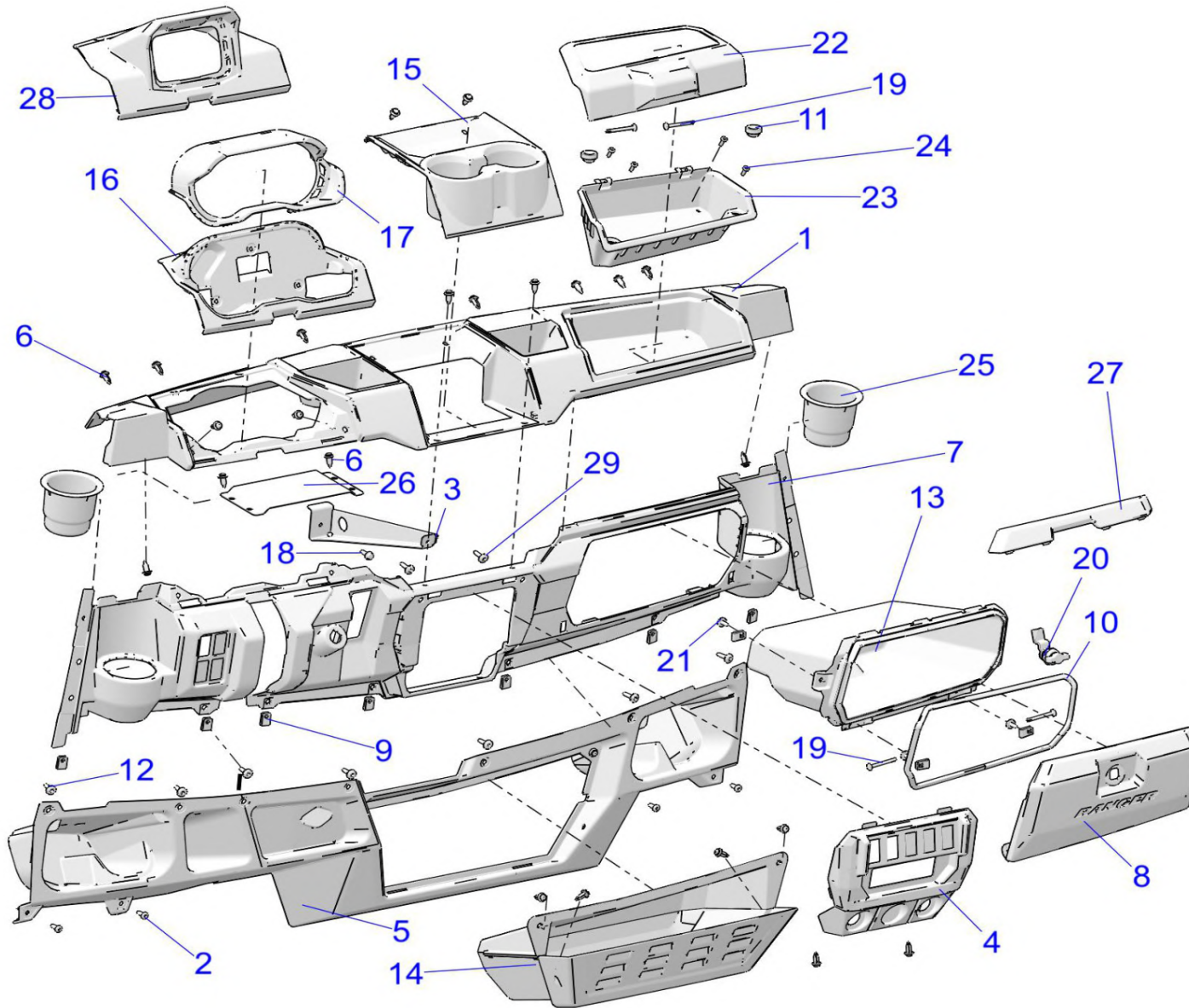
ASSEMBLIES : 2022 RGR RANGER XP 1000 EPS EU/TR/ZUG (R02) - R22RRS99C9/CK/CM/F9/FM/EF9/EFM/PCG/E99FM/E99PM



POS	SAP	Part Name	Qty
1	1046552	WELD-TAILGATE PIVOT,M.BLK	1
2	1046553	BRKT-TAILGATE SUPPORT,UPR,BLK	1
3	1046554	PANEL-TAILGATE,OUTER,BLK	1
4	1040444	SCR-1/4X2 HI/LO-PH-PN TRX-M	3
5	1046555	CAP-TAILGATE,BLK	1
6	1047182	ROD-TAILGATE	2
7	1046557	PANEL-TAILGATE,INNER,BLK	1
8	1047183	HANDLE-TAILGATE LATCH,BLK	1
9	1047184	SPRING-LATCH,TAILGATE	2
10	1046560	CABLE-TAILGATE,8MM EYELET	2
11	1014459	SCR-TXTH-M6X1.0X25 ZFB	7
12	1039758	SCR-TXPH-#14 X .75 HI-LO RIE	2
13	1046561	PIN-HITCH, 3/32-Y	2
14	-----	SPRING-TAILGATE ROD,LH	1
15	-----	SPRING-TAILGATE ROD,RH	1

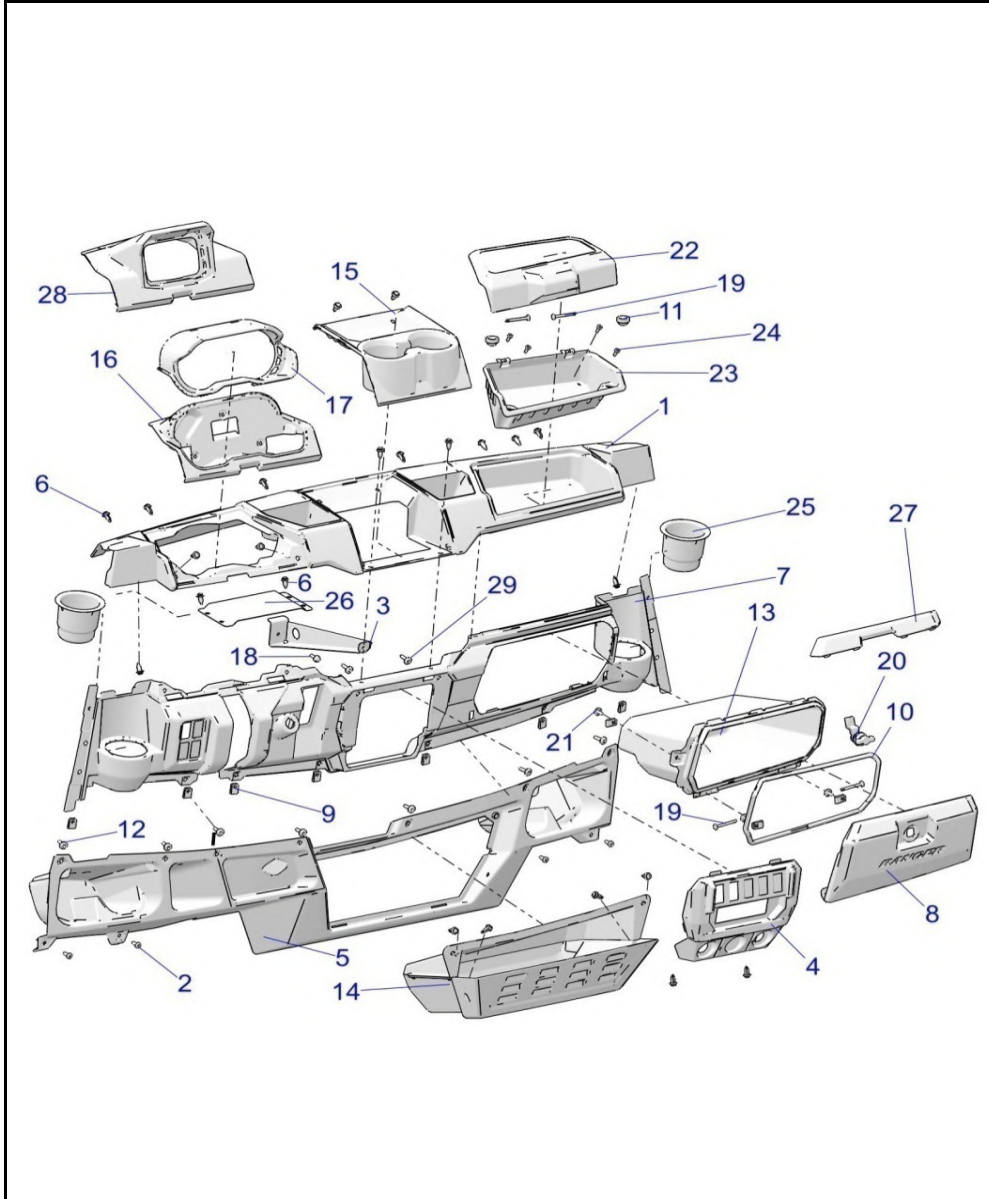
BODY, DASH

ASSEMBLIES : 2022 RGR RANGER XP 1000 EPS EU/TR/ZUG (R02) - R22RRS99C9/CK/CM/F9/FM/EF9/EFM/PCG/E99FM/E99PM



BODY, DASH

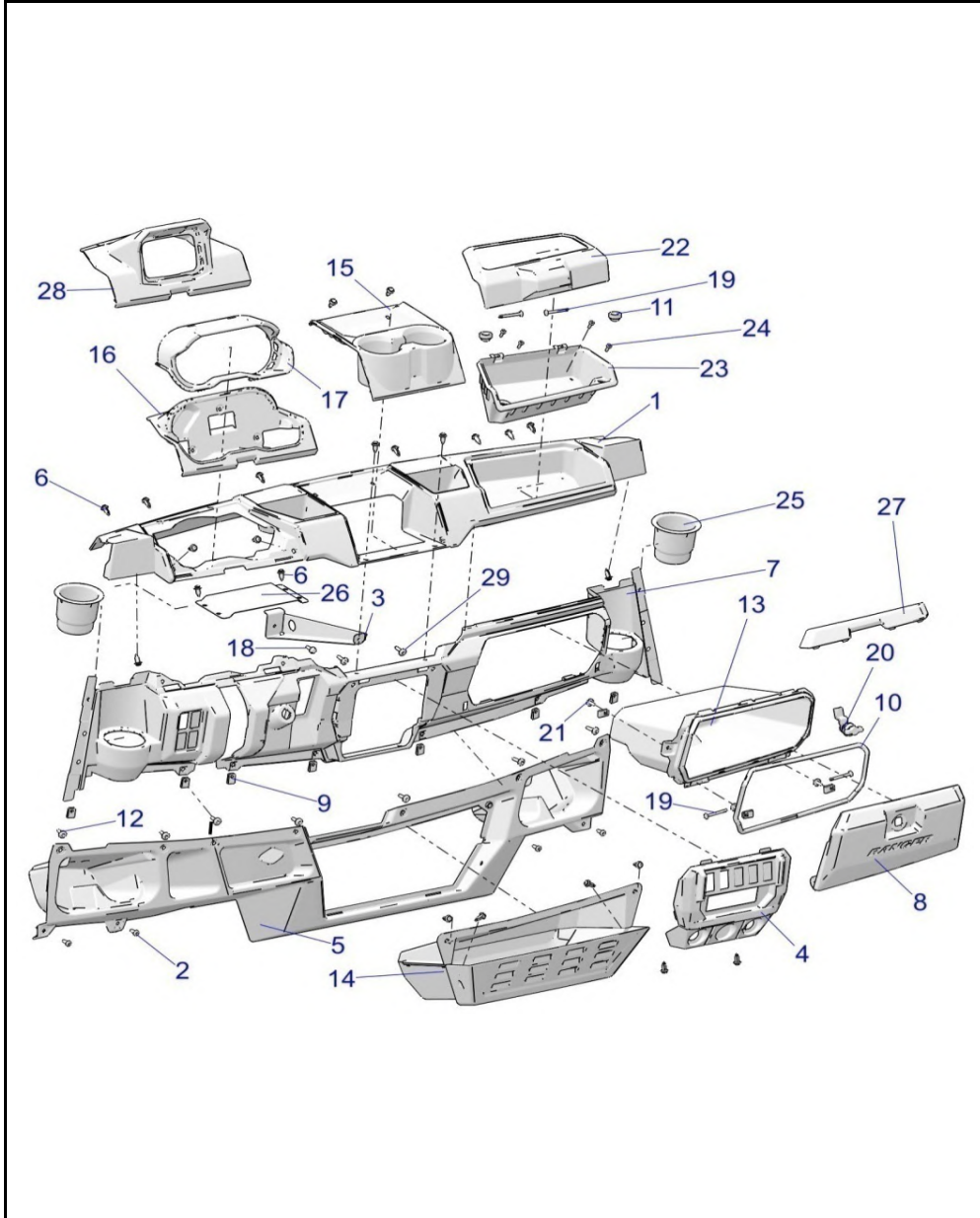
ASSEMBLIES : 2022 RGR RANGER XP 1000 EPS EU/TR/ZUG (R02) - R22RRS99C9/CK/CM/F9/FM/EF9/EFM/PCG/E99FM/E99PM



POS	SAP	Part Name	Qty
1	1048292	DASH-UPPER,ROUTER,BLK [SCK]	1
1	1046564	DASH-UPPER, BLK [SCK][SCM]	1
2	1045772	SCR-TX TRUSS-#14X3/4, HI/LO ZBK	5
3	1046565	BRKT-DASH,RH	1
4	1047194	DASH-CONTR,ROUT,TR N PRO, BLK [SCK]	1
4	1047196	DASH-CONTROLS,EU,BLK [SCM][SC9][TO 9/1/2022]	1
4	1047197	DASH-CONTROLS,BLK [RRS99C][C9][FORM 9/1/2022]	1
4	1048293	DASH-CONTROLS,HD,BLK [EF9][EFM][SF9][SFM]	1
4	1048294	DASH-CONTROLS,BLK [PCG]	1
5	1046568	[EF9][EFM][PCG][SC9][SCK][SCM][SF9][SFM]	1
5	1048295	DASH-STORAGE,ROUTER,BLK [SCK]	1
5	1046569	DASH-STORAGE,ABS,BLK [PCG]	1
6	1014589	RIVET-TUFLOK,.315-.325X.787	AR
7	1046570	DASH-MAIN, BLK	1
7	1048296	DASH-MAIN,ROUTER,MUD,BLK [SCK]	1
8	1048297	COVER-GLOVEBOX,XP,BLK	1
9	1014509	NUT-M6-1.0, U-TYPE (2.5-3.8)	10
10	1048298	SEAL, GLOVE BOX	1
10	1046572	SEAL-GLOVEBOX,897 [PCG]	1
11	1044987	GROMMET-RUBBER,MOUNT,.25"	2
12	1014459	SCR-TXTH-M6X1.0X25 ZFB	AR
13	1046573	BIN-GLOVEBOX, BLK	1
14	1047202	BIN-LOWER,STORAGE,BLK [EF9][EFM][PCG][SC9][SCM][SF9][SFM]	1
14	1047203	COVER-BIN,HVAC,BLK [SCK]	1
15	1046575	DASH-CENTER TRAY, BLK	1
16	1046576	DASH-GAUGE,HOOD,C4,BLK	1
17	1046577	DASH-GAUGE,BEZEL,C4,BLK	1
18	1039683	SCR-M6X1.0X20, HXHD, FLG, TDFM, BK	1
19	1039564	PIN-HINGE,GLOVEBOX	2

BODY, DASH

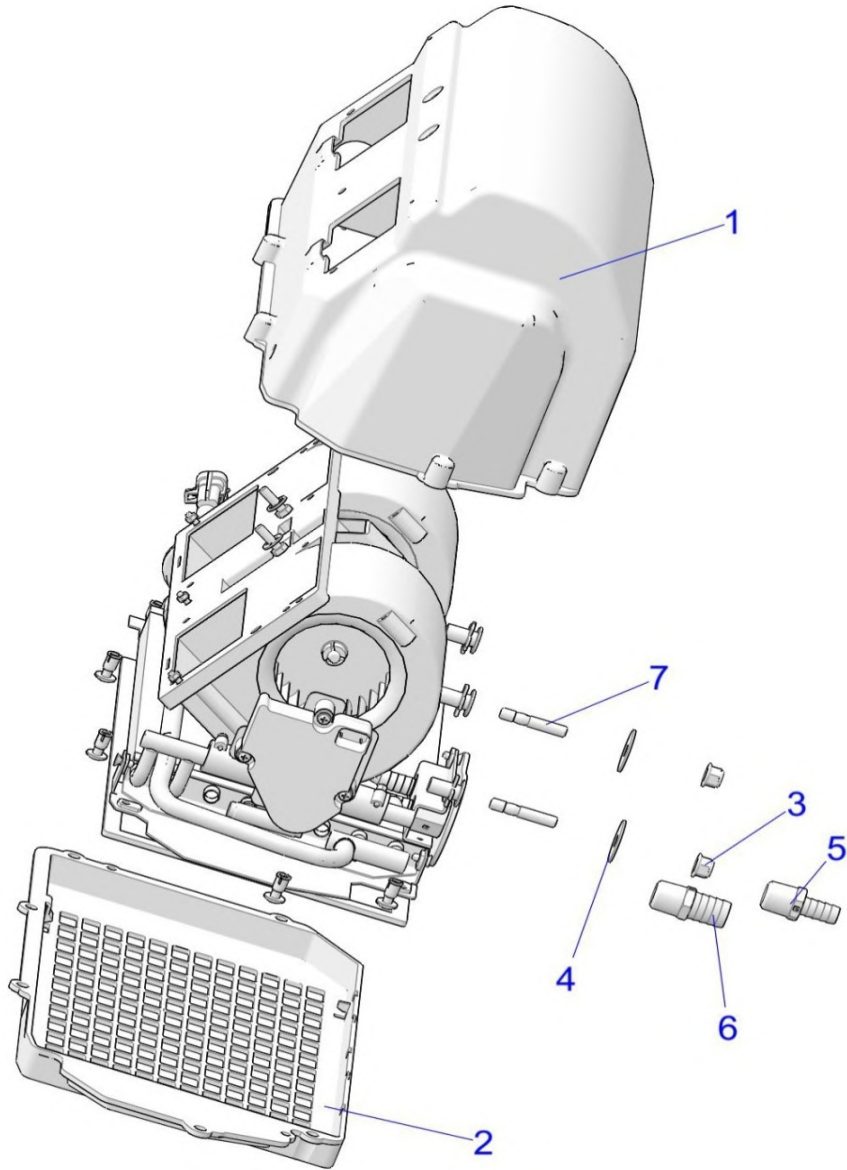
ASSEMBLIES : 2022 RGR RANGER XP 1000 EPS EU/TR/ZUG (R02) - R22RRS99C9/CK/CM/F9/FM/EF9/EFM/PCG/E99FM/E99PM



POS	SAP	Part Name	Qty
20	1014063	LATCH, 1/4 TURN, CAM	1
21	1014437	SCR-M6X1X16 TR/TX-M	3
22	1046579	COVER-UPPER GLOVEBOX,BLK	1
23	1046580	BIN-UPPER GLOVEBOX,BLK	1
24	1045565	SCREW-10X5/8-HI/LO,PN-T25,TRX-M	4
25	1046581	HOLDER-CUP	2
27	1048299	TRIM-GLOVEBOX,XP,BLKNT [EF9][SC9][SF9]	1
27	1048300	TRIM-GLOVEBOX,XP,M.TTNM MET [EFM][SCK][SCM][SFM]	1
27	1048301	TRIM-GLOVEBOX,XP,BLKNT [PCG]	1
28	1046576	DASH-GAUGE,HOOD,C4,BLK	1
29	1039720	SCR-TXTH-M6X1.0X15 ZPB TAP	1

BODY, DASH, HEATER ASSEMBLY

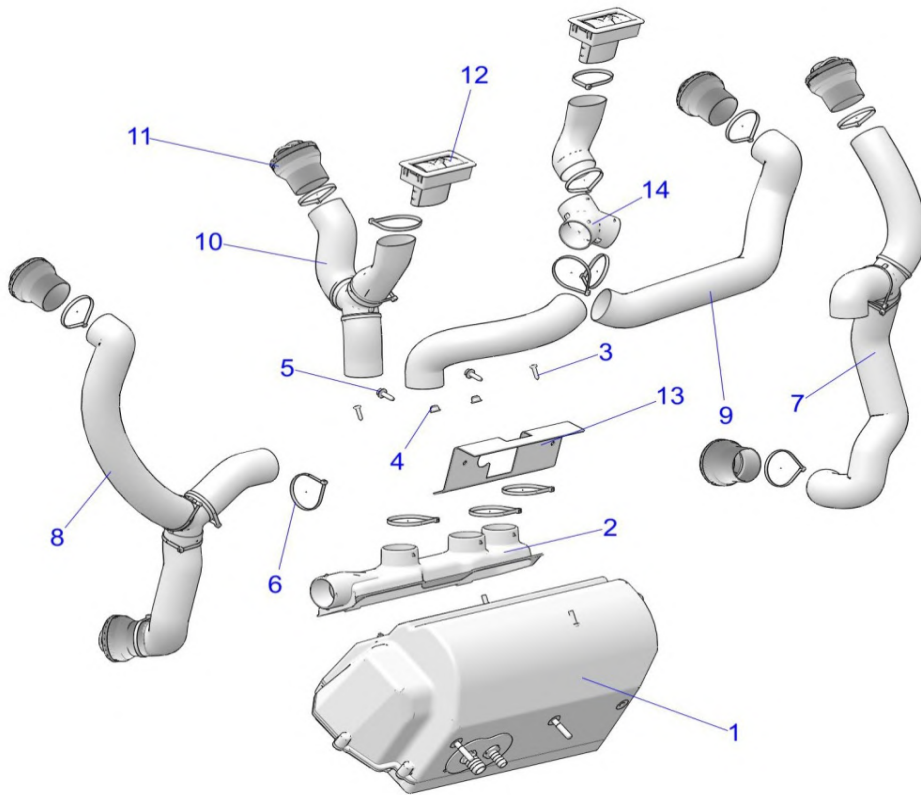
ASSEMBLIES : 2022 RGR RANGER XP 1000 EPS EU/TR/ZUG (R02) - R22RRS99C9/CK/CM/F9/FM/EF9/EFM/PCG/E99FM/E99PM



POS	SAP	Part Name	Qty
	1048302	ASM-MAIN,HEATER,ZS [INCL. 2-5]	1
1	1047233	HOUSING-MAIN, ACCY, HEATER, XOVR	1
2	1047234	COVER-LOWER, GRILLE, HEATER, XOVR	1
3	1014499	NUT- M8X1.25, FLG, NYLOC-OLIVE D	2
4	1047245	WASHER-.328X1.25X16GA, FL-Y	2
5	1047235	FITTING-MALE, HTR, XOVR	1
6	1047236	FITTING-MALE,1/2NPT-3/4HB	1
7	1047237	M8X1.25X45/55MM CL8.8 STUD	2

BODY, DASH, HEATER DUCTING

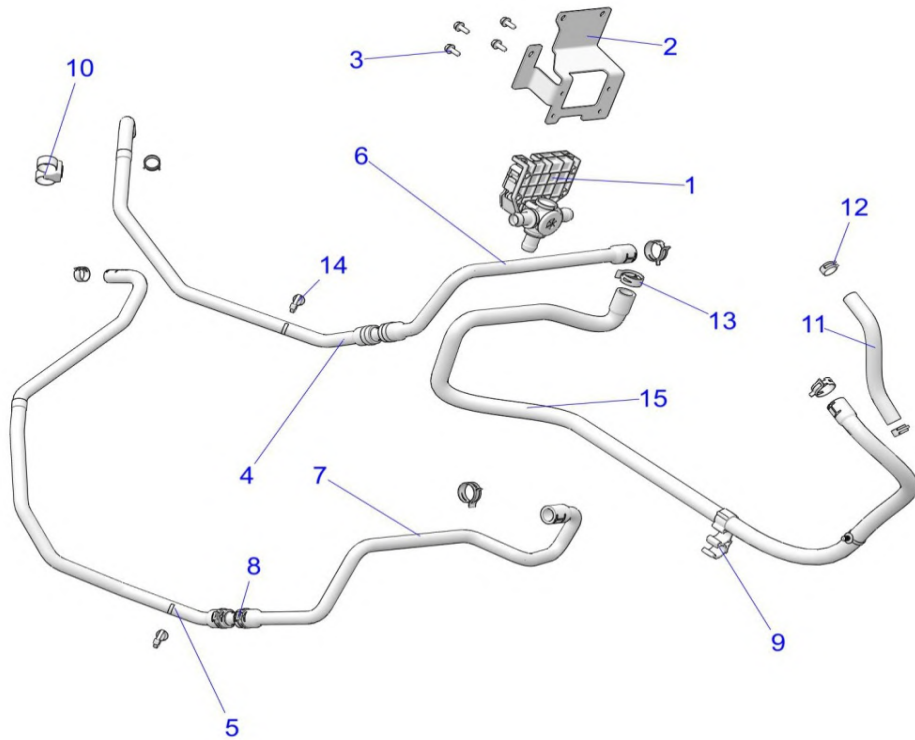
ASSEMBLIES : 2022 RGR RANGER XP 1000 EPS EU/TR/ZUG (R02) - R22RRS99C9/CK/CM/F9/FM/EF9/EFM/PCG/E99FM/E99PM



POS	SAP	Part Name	Qty
1	1048302	ASM-MAIN,HEATER,ZS [INCL. ALL]	1
2	1047242	MANIFOLD-AIR DISTRIBUTOR, HVAC	1
3	1014423	SCREW-#10X3/4-HI/LO-PN-T25,TRX-M	2
4	1014499	NUT- M8X1.25, FLG, NYLOC-OLIVE D	2
5	1039683	SCR-M6X1.0X20, HXHD, FLG, TDFM, BK	2
6	1014060	CABLE-TIE,10-102MM,WEATH.-RES.	AR
7	1047240	ASM-DUCTING, DASH, LH	1
8	1047238	ASM-DUCTING, DASH, RH	1
9	1047239	ASM-DUCTING, DASH, CENTER, LH	1
10	1047241	ASM-DUCTING, DASH, CENTER, RH	1
11	1047246	VENT-ROUND	6
12	1047247	VENT-DEFROST	2
13	1047243	BRKT-MOUNT, HVAC UNIT, BLK	1
14	1047244	DUCT-Y, HOSE, HTR, XORV	4

BODY, DASH, HEATER ROUTING

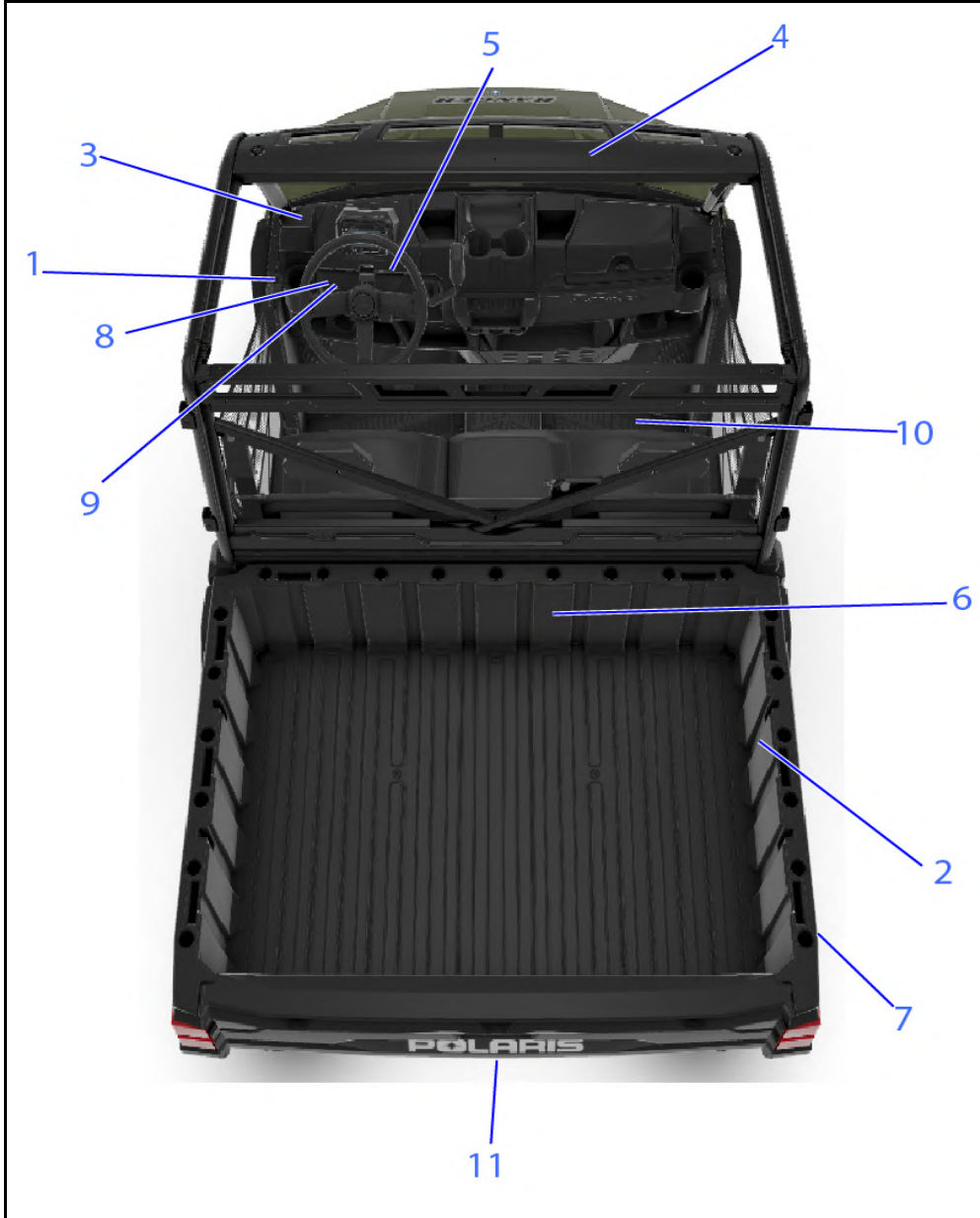
ASSEMBLIES : 2022 RGR RANGER XP 1000 EPS EU/TR/ZUG (R02) - R22RRS99C9/CK/CM/F9/FM/EF9/EFM/PCG/E99FM/E99PM



POS	SAP	Part Name	Qty
1	1047248	ASM-VALVE,3-WAY	1
2	1048304	BRKT-ACCY MNT,3WAY,VALVE,BLK	1
3	1048305	SCR-M6X1X16 HX/FL-SS	4
4	1048306	ASM-COOLANT,3WAY TO ENG,ASM [INCL. 5,8]	1
5	1048307	HOSE-COOLANT,3WAY TO ENG	1
6	1048308	ASM-COOLANT,ENG TO 3WAY,ASM [INCL. 7 & 8]	1
7	1048309	HOSE-COOLANT,ENG TO 3WAY, FO	1
8	1048310	CLAMP-HOSE,OETIKER,25.4-28.6	4
9	1048311	CLIP-ROUTING,HVAC	1
10	1045801	CLIP, LINE	1
11	1047252	HOSE-HEATER RETURN	1
12	1039625	CLAMP-HOSE,SPRING .81	4
13	1039620	SPRINGBAND-CLAMP 27/12,GREEN	4
14	1014065	CLIP-ROUTING	3
15	1048312	HOSE-COOLANT,3-WAY HEATER	1

BODY, DECALS, GENERAL

ASSEMBLIES : 2022 RGR RANGER XP 1000 EPS EU/TR/ZUG (R02) - R22RRS99C9/CK/CM/F9/FM/EF9/EFM/PCG/E99FM/E99PM



POS	SAP	Part Name	Qty
1	1040120	DECAL, IGNITION, LIGHTING	1
2	1045543	DECAL-WARN,FUEL DYR2014/94/EU	1
3	1046585	DECAL-WARN,GEN,RGR 1000,HD [SFM][SF9]	1
3	1046584	DECAL-WARN,GENERAL,TR/ZUG RGR [PCG][SC9][SCK][SCM][SF9][SFM][TO 11/20/2021]	1
3	1047206	DECAL-WARN,GENERAL,TR/ZUG RGR [PCG][SC9][SCK][SCM][SF9][SFM][FRM 11/20/2021]	1
4	1039652	DECAL-WARN,INTAKE [ON VISOR]	1
5	1046587	DECAL-CAUT,SHIFT/APPLYBRAKE,EU [TO 12/6/2021]	1
5	1047207	DECAL-CAUT,SHIFT/APPLYBRAKE,EU [FRM 12/6/2021]	1
6	1048313	DECAL-WARN,PASS/TIREPR,XP,EU	1
6	1046586	DECAL-WARN,PASS/TIREPR,XP,EU [PCG]	1
7	1040122	DECAL-WARN,HOT SURFACE [PCG][SC9][SCK][SCM]	1
8	1040121	DECAL-WARN,JACKING POINT [PCG][SC9][SCK][SCM]	1
9	1040123	DECAL-WARN,GREASING POINT [PCG][SC9][SCK][SCM]	1
10	1048314	DECAL,TR,SEAT REGULATION [PCG][SC9][SCK][SCM]	1
11	1046583	DECAL, HITCH, EU,RANGER [EF9][EFM]	1

BODY, DECALS, GRAPHICS

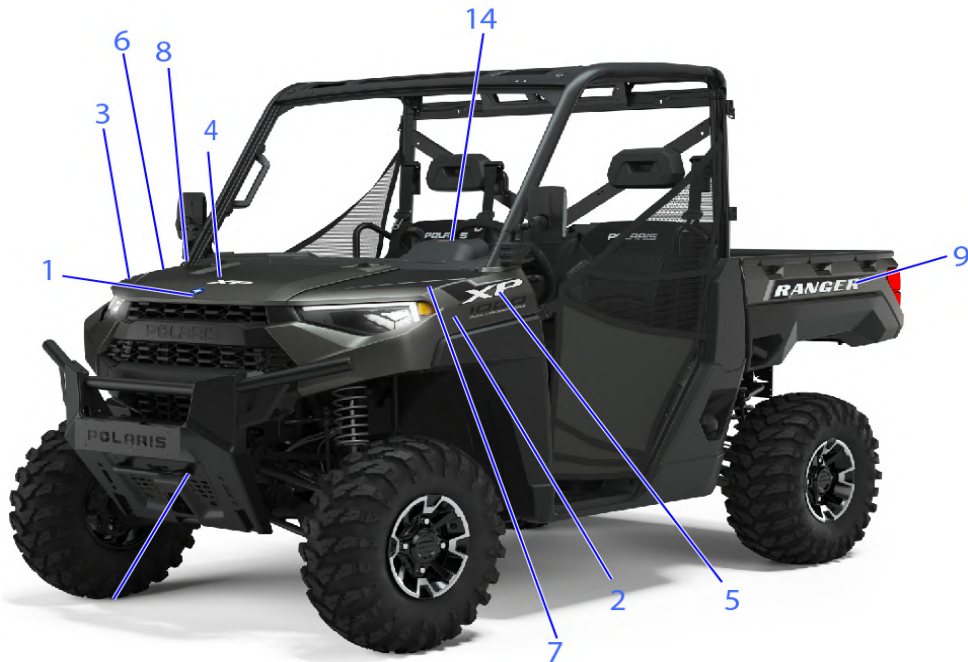
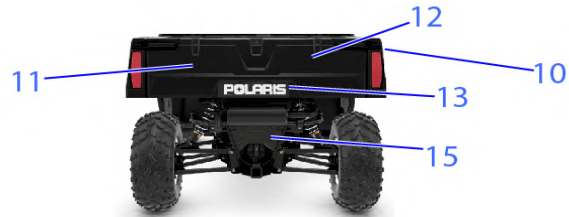
ASSEMBLIES : 2022 RGR RANGER XP 1000 EPS EU/TR/ZUG (R02) - R22RRS99C9/CK/CM/F9/FM/EF9/EFM/PCG/E99FM/E99PM



POS	SAP	Part Name	Qty
1	1014053	LOGO-POLARIS STAR	1
2	1030006	DECAL-ABS RGR,LH [PCG]	1
3	1030007	DECAL-ABS RGR,RH [PCG]	1
4	1048315	DECAL-HOOD CNTR [EFM][SCM][SFM]	1
4	1048316	DECAL-HOOD CNTR [EF9][SC9][SF9]	1
4	1048317	DECAL-HOOD CNTR [SCK]	1
4	1048318	DECAL-HOOD CNTR [PCG]	1
5	1048319	DECAL-FR.FNDR,SIDE,XP 1000,LH [EF9][SC9][SF9]	1
5	1048320	DECAL-FR.FNDR,SIDE,XP 1000,LH [EFM][SCM][SFM]	1
5	1048321	DECAL-FR.FNDR,SIDE,XP 1000,LH [SCK]	1
5	1048322	DECAL-FR.FNDR,SIDE,XP 1000,LH [PCG]	1
6	1048323	DECAL-FR.FNDR,SIDE,XP 1000,RH [EF9][SC9][SF9]	1
6	1048324	DECAL-FR.FNDR,SIDE,XP 1000,RH [EFM][SCM][SFM]	1
6	1048325	DECAL-FR.FNDR,SIDE,XP 1000,RH [SCK]	1
6	1048326	DECAL-FR.FNDR,SIDE,XP 1000,RH [PCG]	1
7	1048327	DECAL-FR.FNDR,TOP,LH [EFM][SCM][SFM]	1
8	1048328	DECAL-FR.FNDR,TOP,RH [EFM][SCM][SFM]	1
9	1048329	DECAL-BOX,SIDE,RGR,LH [EF9][EF9][SC9][SF9]	1
9	1048330	DECAL-BOX,SIDE,RGR,LH [EFM][SCM][SFM]	1
9	1048331	DECAL-BOX,SIDE,RGR,LH [SCK]	1
9	1048332	DECAL-BOX,SIDE,RGR,LH [PCG]	1
10	1048333	DECAL-BOX,SIDE,RGR,RH [EF9][SC9][SF9]	1
10	1048334	DECAL-BOX,SIDE,RGR,RH [EFM][SCM][SFM]	1
10	1048335	DECAL-BOX,SIDE,RGR,RH [SCK]	1
10	1048336	DECAL-BOX,SIDE,RGR,RH [PCG]	1
11	1048337	DECAL-TAILGATE,LH [EF9][SC9][SF9]	1
11	1048338	DECAL-TAILGATE,LH [PCG]	1
11	1048339	DECAL-TAILGATE,LH [EFM][SCM][SFM]	1
12	1048340	DECAL-TAILGATE,RH [EFM][SCM][SFM]	1
12	1048341	DECAL-TAILGATE,RH [EF9][SC9][SF9]	1

BODY, DECALS, GRAPHICS

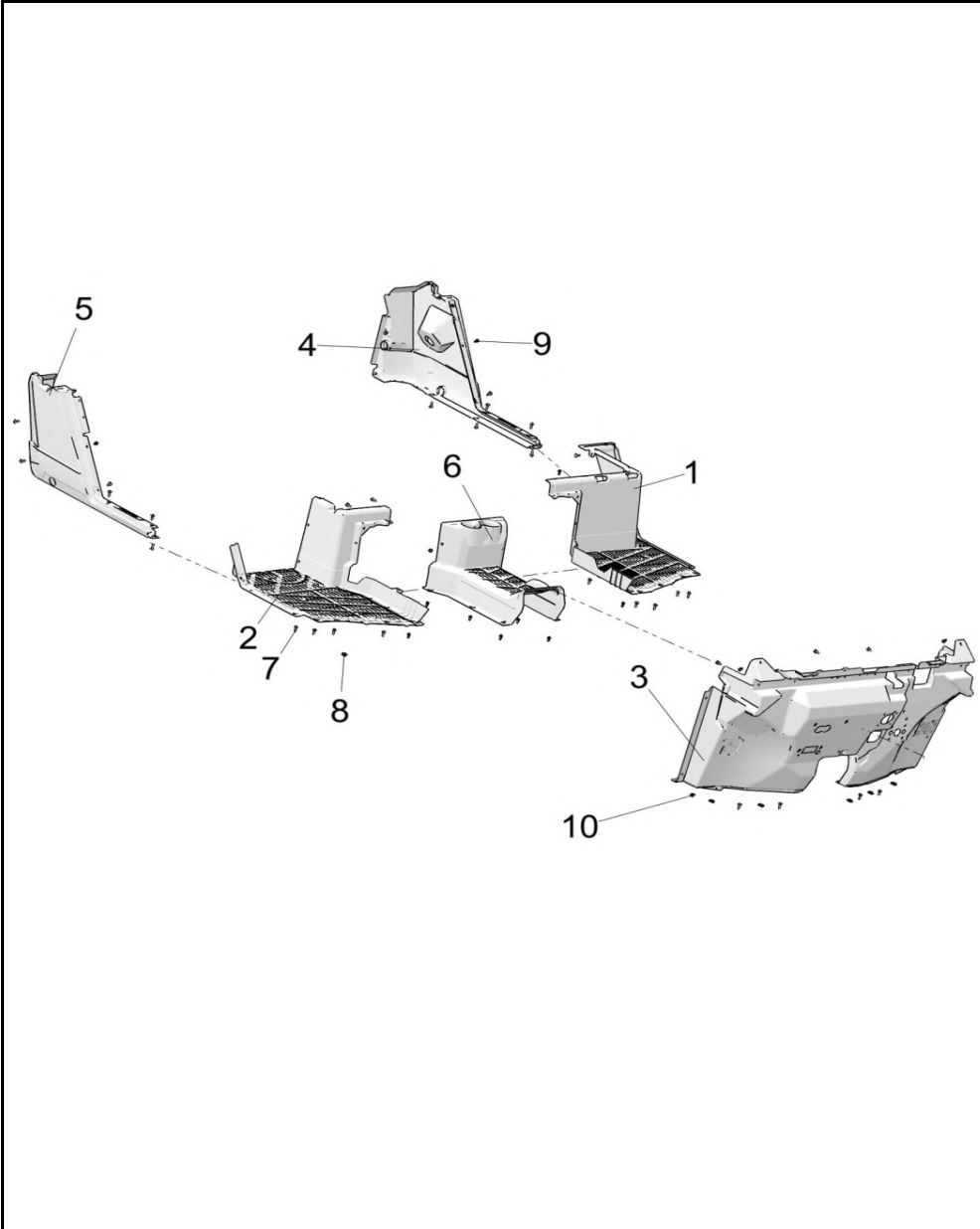
ASSEMBLIES : 2022 RGR RANGER XP 1000 EPS EU/TR/ZUG (R02) - R22RRS99C9/CK/CM/F9/FM/EF9/EFM/PCG/E99FM/E99PM



POS	SAP	Part Name	Qty
12	1048342	DECAL-TAILGATE,RH [PCG]	1
13	1014231	DECAL, "POLARIS", TAILGATE, WHITE [EFM][PCG][SCK][SCM][SFM]	1
13	1048343	DECAL-TAILGATE,POLARIS,GOLD [EF9][EF9][SC9][SF9]	1
14	1047217	DECAL-EPS,ORV	
15	-----	DECAL-HITCH,EU,RANGER [EF9][EFM]	1

BODY, FLOOR AND ROCKER

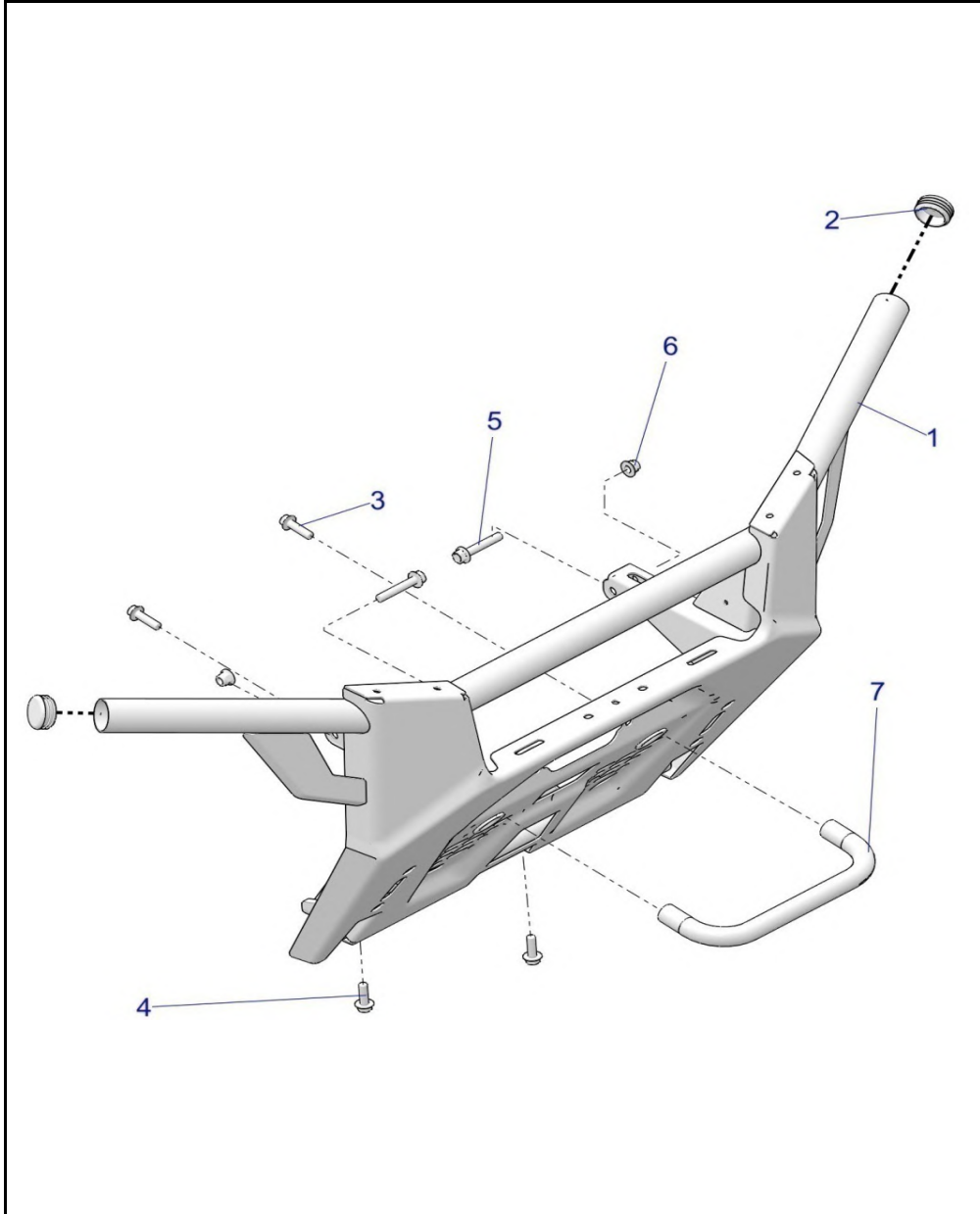
ASSEMBLIES : 2022 RGR RANGER XP 1000 EPS EU/TR/ZUG (R02) - R22RRS99C9/CK/CM/F9/FM/EF9/EFM/PCG/E99FM/E99PM



POS	SAP	Part Name	Qty
1	1046590	FLOOR, LH, BLK	1
2	1046591	FLOOR, RH, BLK	1
3	1047220	FLOOR-UPPER CLOSEOFF,TR,BLK	1
3	1048344	FLOOR-UPR CLOSE,HEAT TR,BLK [SCK]	1
4	1011964	FENDER-REAR ROCKER,LH,BLK	1
5	1011965	FENDER-REAR ROCKER,RH,BLK	1
6	1046592	COVER-TUNNEL FLOOR,BLK	1
7	1014459	SCR-TXTH-M6X1.0X25 ZFB	AR
8	1044990	PLUG, COMPARTMENT	1
9	1014589	RIVET-TUFLOK,.315-.325X.787	AR
10	1014509	NUT-M6-1.0, U-TYPE (2.5-3.8)	AR

BODY, FRONT BUMPER

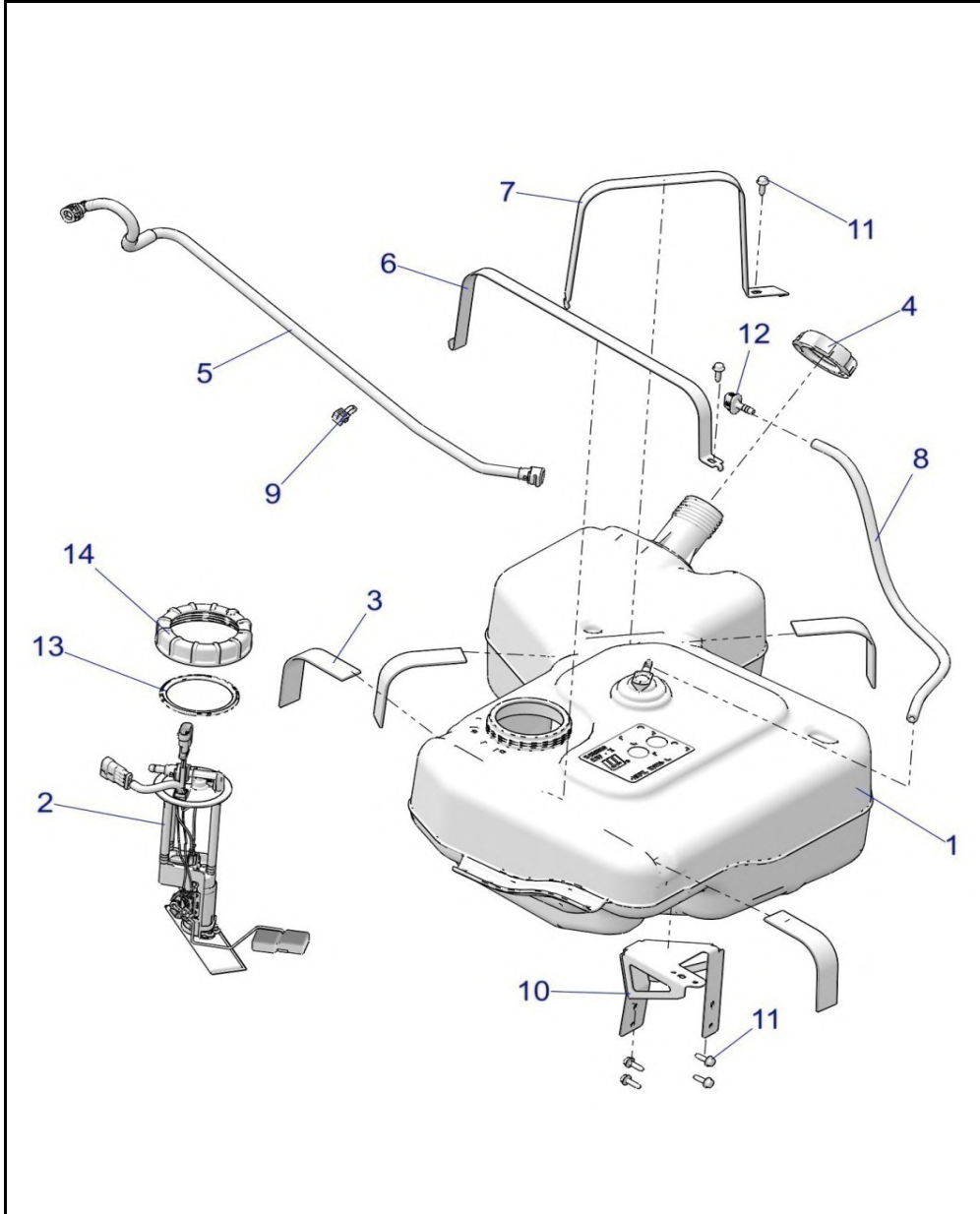
ASSEMBLIES : 2022 RGR RANGER XP 1000 EPS EU/TR/ZUG (R02) - R22RRS99C9/CK/CM/F9/FM/EF9/EFM/PCG/E99FM/E99PM



POS	SAP	Part Name	Qty
1	1047226	WELD-BUMPER,FRONT,M.BLK	1
2	1011826	CAP-BUMPER	2
3	1039702	SCR-HXFL-M10X1.5X35 8.8 ZPC	2
4	1046519	SCR-HXFL-M10X1.25X30 8.8 ZOD	2
5	1030519	SCR-HXFL-M10X1.25X60,ZOD	2
6	1014500	NUT-M10X1.25, FLG, NYLOC-OLIVE D	4
7	1041411	WELD-CATCH,PLOW,M.BLK	1

BODY, FUEL TANK

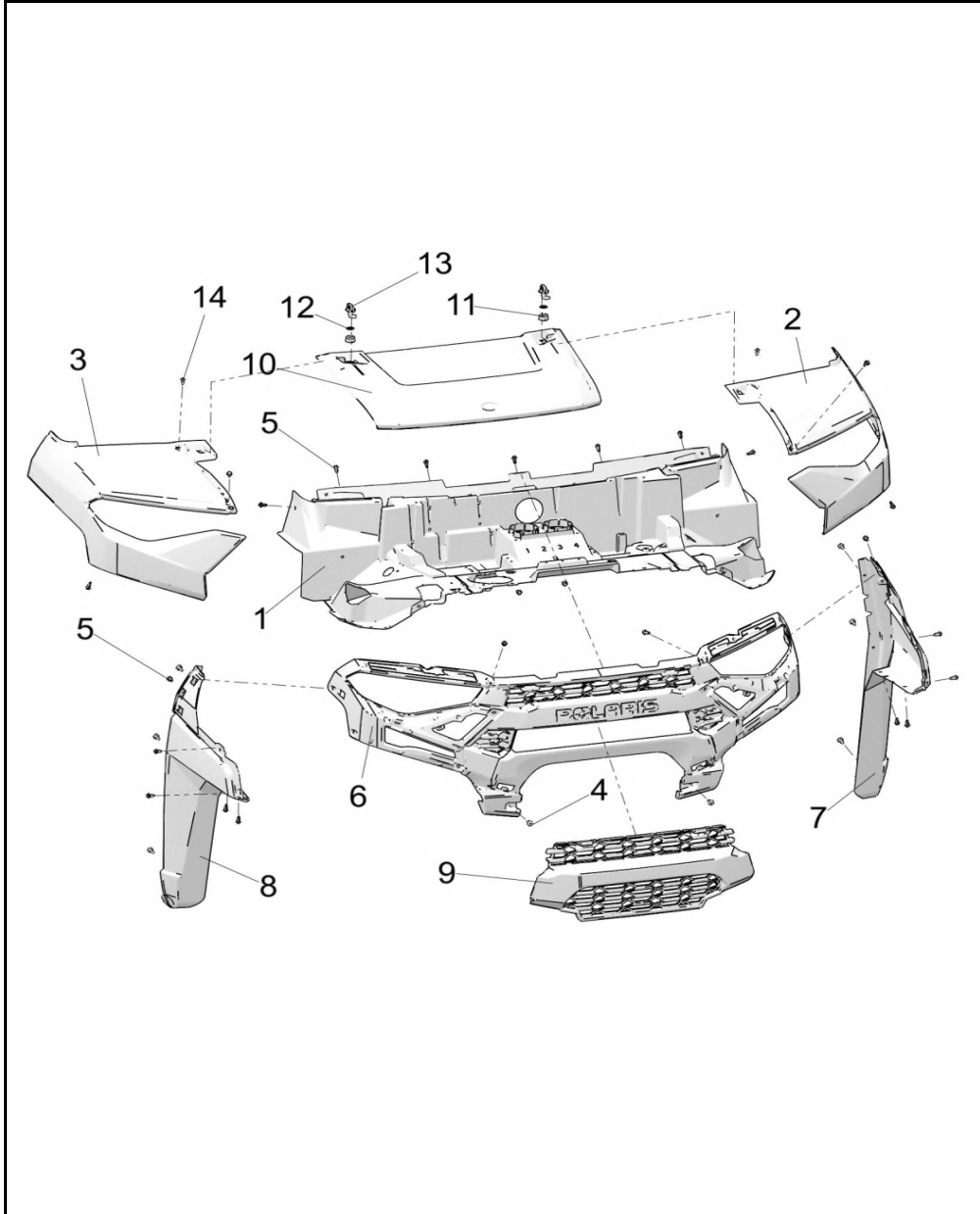
ASSEMBLIES : 2022 RGR RANGER XP 1000 EPS EU/TR/ZUG (R02) - R22RRS99C9/CK/CM/F9/FM/EF9/EFM/PCG/E99FM/E99PM



POS	SAP	Part Name	Qty
1	1046594	ASM-FUEL TANK [INCL. 2,3]	1
2	1005194	K-FUEL PUMP,RANGER [INCL. 13,14]	1
3	1039594	PAD-BATTERY	4
4	1046595	CAP-GAS TANK,TETHER	1
5	1048345	ASM-FUEL LINE [INCL. 9]	1
6	1046597	BRACKET, TANK, STRAP, INSIDE	1
7	1046598	BRACKET, TANK STRAP, OUTSIDE	1
8	1048346	FUEL LINE-54 CENTIMTRS	1
9	1046600	CLIP, EDGE, SIDE, W/STRAP	1
10	1048347	BRKT-FUEL TANK,SUPPORT,BLK	1
10	1046601	BRKT-FUEL TANK,SUPPORT,BLK [PCG]	1
11	1039683	SCR-M6X1.0X20, HXHD, FLG, TDFM, BK	6
12	1045673	FITTING-VENT LINE	1
13	1045311	GASKET, PFA, RIBBED	1
14	1045312	NUT, MASON JAR	1

BODY, HOOD AND FRONT FACIA

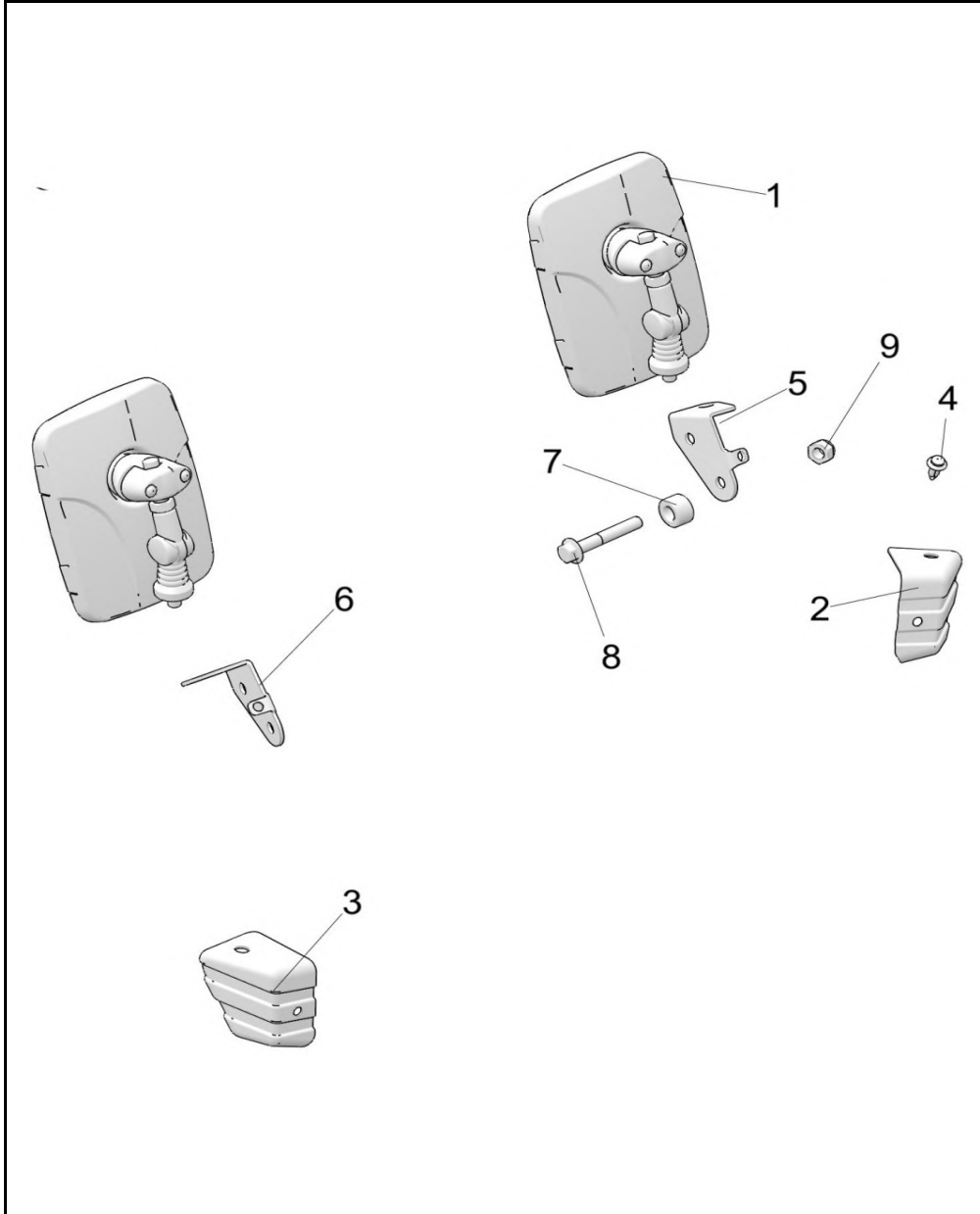
ASSEMBLIES : 2022 RGR RANGER XP 1000 EPS EU/TR/ZUG (R02) - R22RRS99C9/CK/CM/F9/FM/EF9/EFM/PCG/E99FM/E99PM



POS	SAP	Part Name	Qty
1	1039237	LINER-UNDER HOOD,BLK	1
2	1048348	FENDER-FRONT,LH,LE,PPC [EF9][SC9][SF9]	1
2	1048349	FENDER-FRONT,LH,LE,BLK. PEARL [SCK]	1
2	1048350	FENDER-FRONT,LH,LE,M.TTNM,MET [EFM][SCM][SFM]	1
2	1048351	FENDER-FRONT,LH,LE,G.GREY [PCG]	1
3	1048352	FENDER-FRONT,RH,LE,PPC [EF9][SC9][SF9]	1
3	1048353	FENDER-FRONT,RH,LE,BLK. PEARL [SCK]	1
3	1048354	FENDER-FRONT,RH,LE,M.TTNM.MET [EFM][SCM][SFM]	1
3	1048355	FENDER-FRONT,RH,LE,G.GREY [PCG]	1
4	1014459	SCR-TXTH-M6X1.0X25 ZFB	AR
5	1014589	RIVET-TUFLOK,.315-.325X.787	AR
6	1048356	FASCIA-UPPER,BLK	1
7	1011957	FENDER-FLARE,FRONT,LH,BLK	1
8	1011958	FENDER-FLARE,FRONT,RH,BLK	1
9	1011963	GRILL-UPPER,BLK	1
10	1048357	HOOD-CENTER,LE,POLARIS PURSUIT CAMO [EF9][SC9][SF9]	1
10	1048358	HOOD-CENTER,LE,BLK. PEARL [SCK]	1
10	1048359	HOOD-CENTER,LE,M.TTNM.MET [EFM][SCM][SFM]	1
10	1048360	HOOD-CENTER,LE,G.GREY [PCG]	1
11	1011795	GROMMET, LATCH	2
12	1014517	WASHER-.510X.840X.031 Y	2
13	1045094	LATCH, 1/4 TURN	2
14	1045772	SCR-TX TRUSS-#14X3/4, HI/LO ZBK	8

BODY, MIRRORS

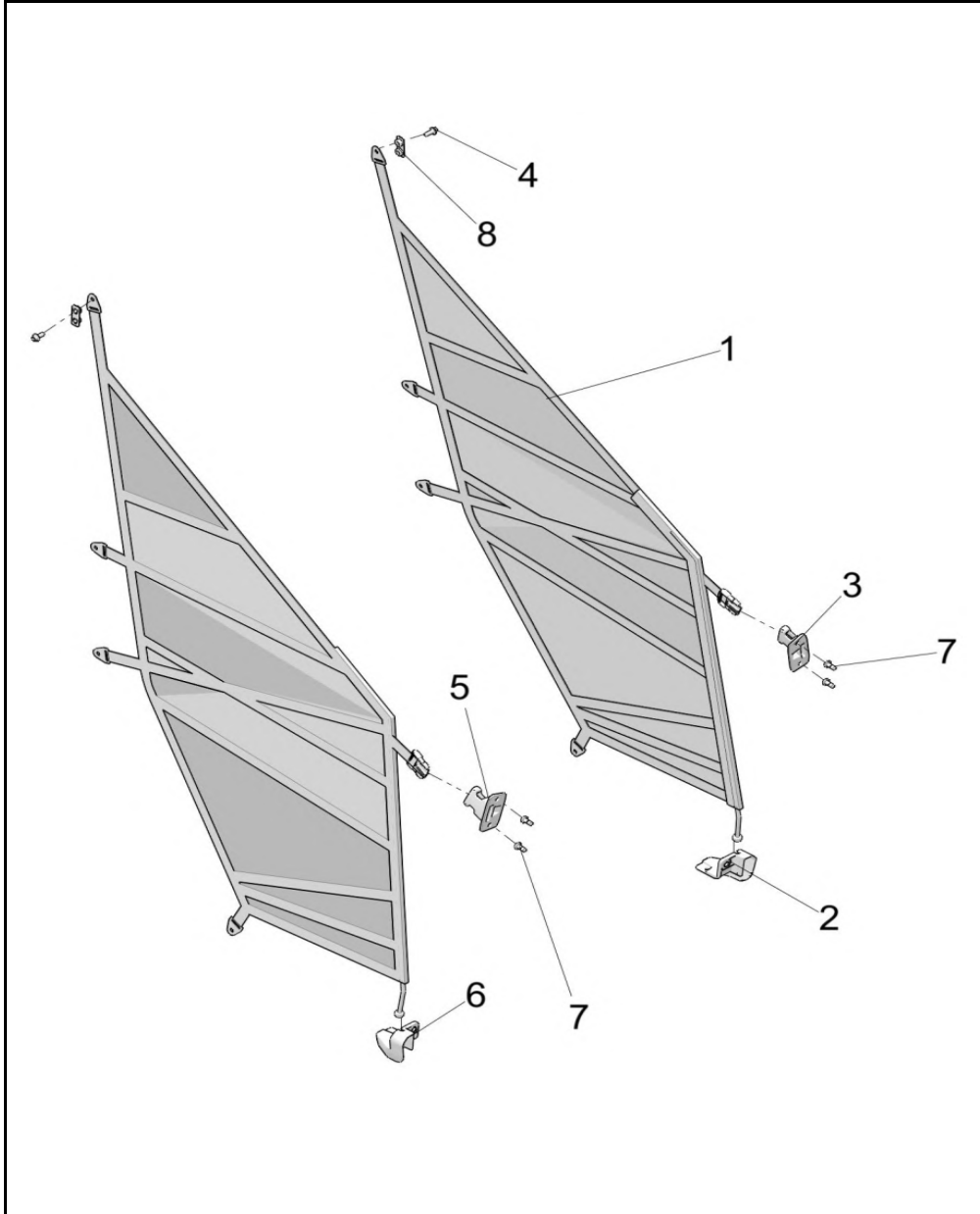
ASSEMBLIES : 2022 RGR RANGER XP 1000 EPS EU/TR/ZUG (R02) - R22RRS99C9/CK/CM/F9/FM/EF9/EFM/PCG/E99FM/E99PM



POS	SAP	Part Name	Qty
1	1046520	ASM-MIRROR,SET,TRACTOR	1
2	1040566	COVER MIRROR BRACKET LH,BLK	1
3	1046521	COVER MIRROR BRACKET RH,BLK	1
4	1014589	RIVET-TUFLOK,.315-.325X.787	2
5	1047266	BRKT-MIRROR,LH,BLK [SCK]	1
5	1046522	BRKT-MIRROR,LH,BLK [SC9][SCM][SF9][SFM][PCG]	1
6	1047267	BRKT-MIRROR,RH,BLK [SCK]	1
6	1046523	BRKT-MIRROR,RH,BLK [SC9][SCM][SF9][SFM][PCG]	1
7	1046524	SPACER,BLK	4
8	1014469	SCR-HXFL-M10X1.5X65 10.9 RIE	4
9	1039793	NUT-HEX-M10X1.5 10 ZB3 NYL	4

BODY, NETS

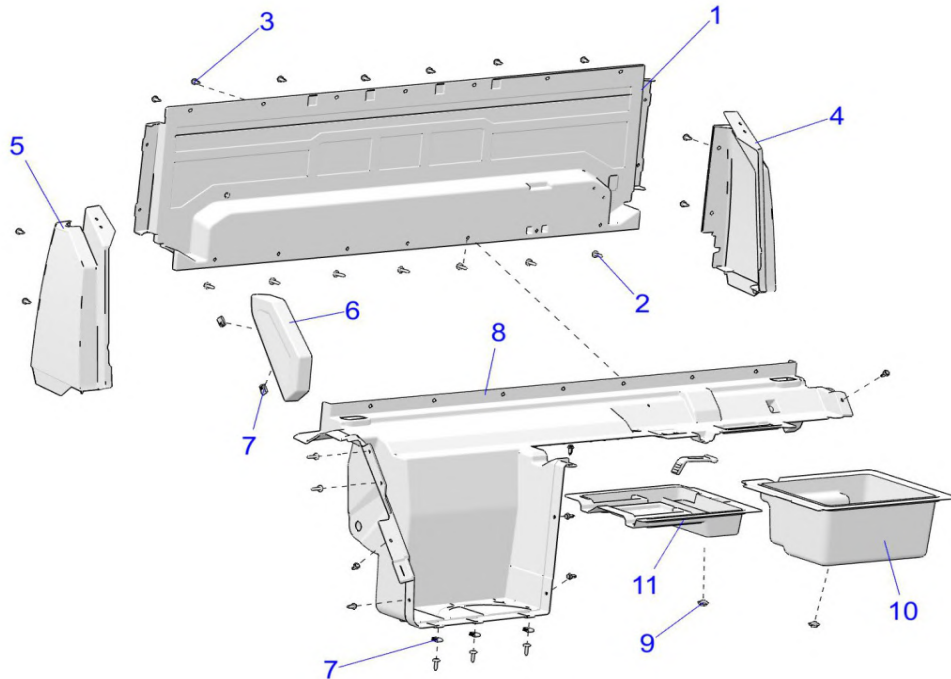
ASSEMBLIES : 2022 RGR RANGER XP 1000 EPS EU/TR/ZUG (R02) - R22RRS99C9/CK/CM/F9/FM/EF9/EFM/PCG/E99FM/E99PM



POS	SAP	Part Name	Qty
1	1047304	NETS-DOOR,FRT,RGR	1
2	1011980	MOUNT-NET,LOWER,LH	1
3	1011987	CLIP-UPPER NET,LH	1
4	1047305	SCREW-HXFL-M8X1.25X20 8.8 ZPB	2
5	1011988	CLIP-UPPER NET,RH	1
6	1011984	MOUNT-NET,LOWER,RH	1
7	1046609	SCR-TXTH-M8X1.25X20 8.8 ZB3 P3	4
8	1046610	PLATE, HINGE, BLACK	2

BODY, REAR CLOSEOFF, AND FENDERS

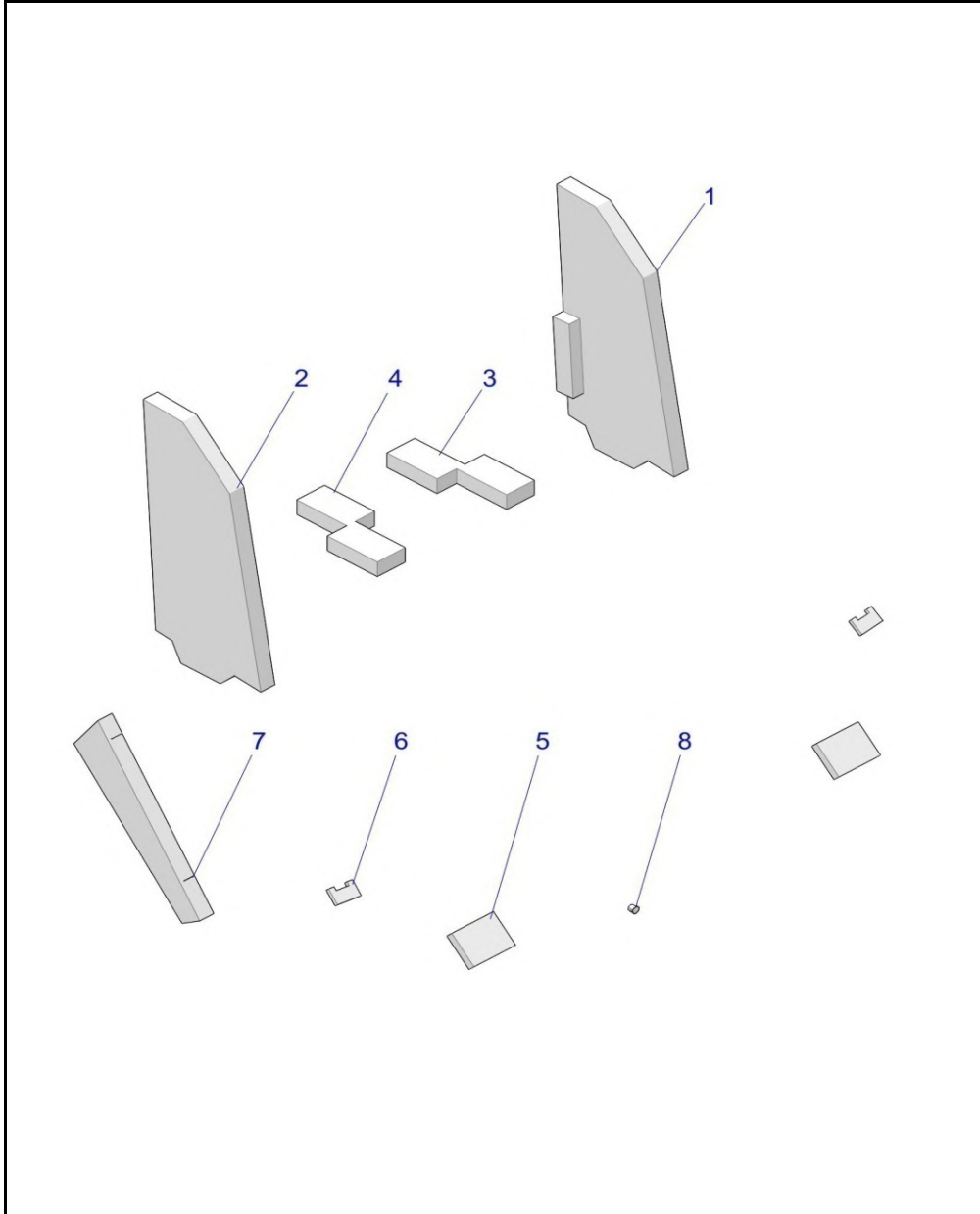
ASSEMBLIES : 2022 RGR RANGER XP 1000 EPS EU/TR/ZUG (R02) - R22RRS99C9/CK/CM/F9/FM/EF9/EFM/PCG/E99FM/E99PM



POS	SAP	Part Name	Qty
1	1048361	PANEL-CLOSEOFF,REAR,BLK	1
2	1014459	SCR-TXTH-M6X1.0X25 ZFB	AR
3	1014589	RIVET-TUFLOK,.315-.325X.787	AR
4	1011966	FENDER-REAR, UPPER, LH, BLK	1
5	1011967	FENDER-REAR, UPPER, RH, BLK	1
6	1046612	COVER-SEAT PIVOT, BLK	1
7	1014509	NUT-M6-1.0, U-TYPE (2.5-3.8)	5
8	1046613	PANEL, CLOSEOFF, LOWER, BLACK	1
9	1044990	PLUG, COMPARTMENT	2
10	1040279	BIN-STORAGE, LH, BLK	1
11	1048362	BIN-STORAGE,RH,BLK	1

BODY, SEALING FOAM

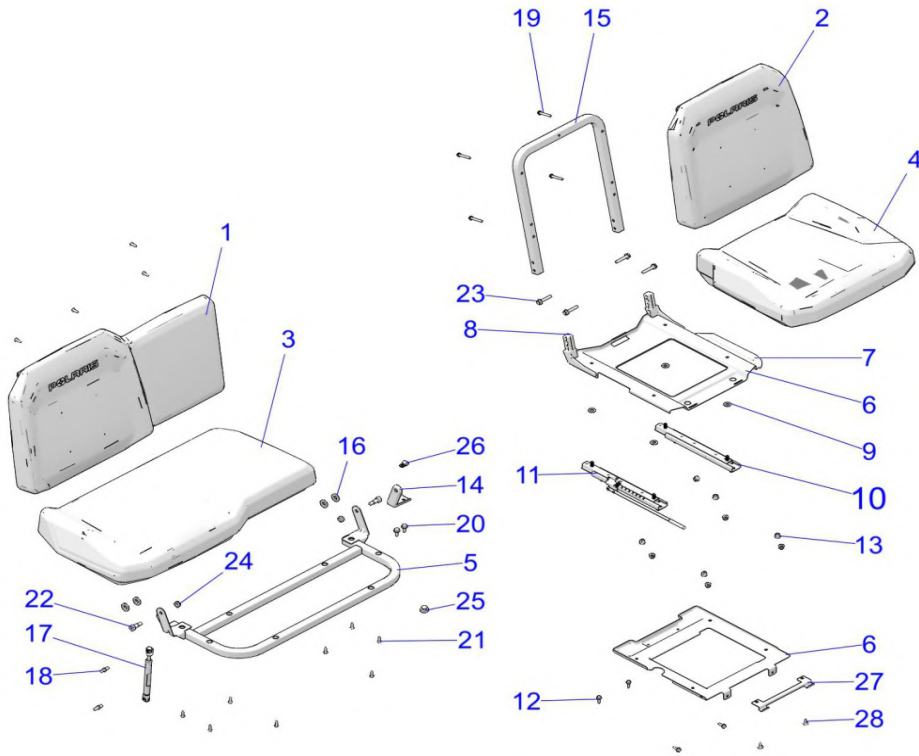
ASSEMBLIES : 2022 RGR RANGER XP 1000 EPS EU/TR/ZUG (R02) - R22RRS99C9/CK/CM/F9/FM/EF9/EFM/PCG/E99FM/E99PM



POS	SAP	Part Name	Qty
1	1048363	FOAM-B PILLAR,COVER,LH	1
2	1048364	FOAM-B PILLAR,COVER,RH	1
3	1047282	FOAM-B PILLAR,LOWER,LH	1
4	1047283	FOAM-B PILLAR,LOWER,RH	1
5	1047284	FOAM-CLOSEOFF,FRONT,BOTTOM	2
6	1047285	FOAM-CLOSEOFF,FRONT,TOP	2
7	1048365	FOAM-SEAT PIVOT,RH	1
8	1047286	PLUG, HOLE(10)	1

BODY, SEAT ASM. AND SLIDER

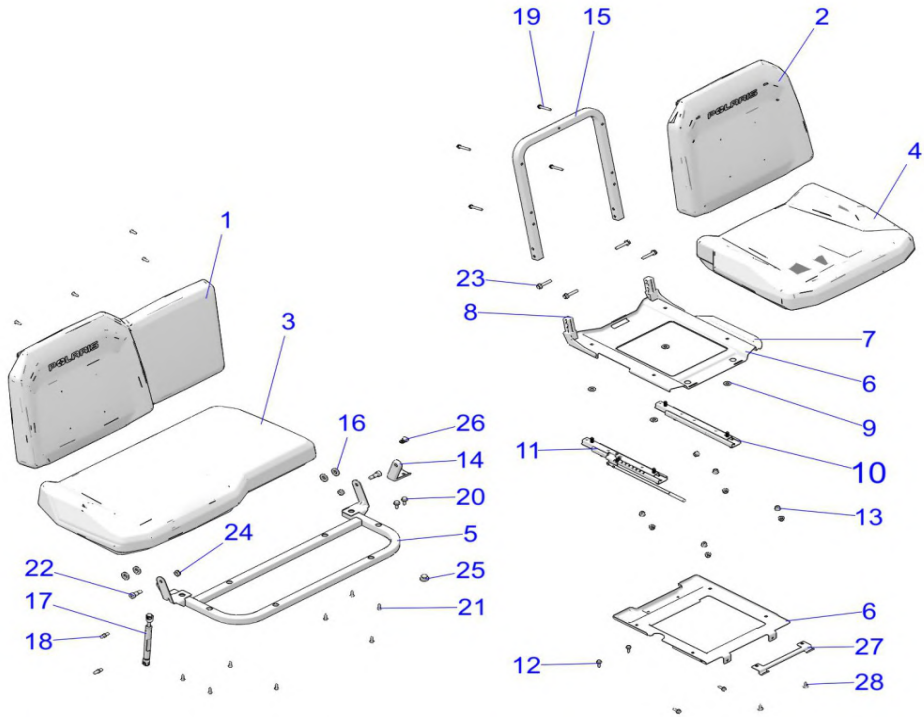
ASSEMBLIES : 2022 RGR RANGER XP 1000 EPS EU/TR/ZUG (R02) - R22RRS99C9/CK/CM/F9/FM/EF9/EFM/PCG/E99FM/E99PM



POS	SAP	Part Name	Qty
1	1048366	ASM-SEAT,BACK,60,BLACK	1
2	1048367	ASM-SEAT,BACK,40,BLACK	1
3	1048368	ASM-SEAT,BTM,60,BLACK	1
4	1048369	ASM-SEAT,BTM,40,FLIP,BLK,DS	1
5	1046660	WELD-SEAT BASE, PASS, M. BLK	1
6	-----	ASM-SLIDER, ADJUSTER 150,RGR [INCL. 7-13]	1
7	1046622	WELD-SLIDE,SEAT, TOP,BLK	1
8	1047299	BRKT-SEAT,BTM,BLK	1
9	1047303	WASHER-10.5X22.0X2.0	4
10	1047300	SEAT ADJUSTER SLIDER LH, 6INCH	1
11	1047301	SEAT ADJUSTER SLIDER RH, 6INCH [TO 4/28/2022]	1
11	1047302	SEAT ADJUSTER SLIDER RH, 6INCH [FROM 4/28/2022][TO 5/17/2022]	1
11	1048370	SLIDER-SEAT ADJUSTER,RH,4IN [FROM 5/17/2022]	1
12	1039683	SCR-M6X1.0X20, HXHD, FLG, TDFM, BK	4
13	1014499	NUT- M8X1.25, FLG, NYLOC-OLIVE D	12
14	1046661	BRKT-SEAT PIVOT, BLK	1
15	1011693	TUBE-SEAT, BACK,BLK	1
16	1045833	WASHER-SEATBELT,RUBBER	7
17	1046663	SHOCK-GAS, 285MM	1
18	1046664	BALL-END	2
19	1014425	SCR-#14X1-3/4 LG,HI/LO/TAPER-M	4
20	1045689	SCR-HWH-M8X1.25X20 TAP/R ZPB	2
21	1045772	SCR-TX TRUSS-#14X3/4, HI/LO ZBK	16
22	1046665	SCR-SHS-M10X1.5-M12X16 RIE	2
23	1014461	SCR-HXFL-M8X1.25X45 8.8 ZOD	4
24	1046666	NUT-HEX M10X1.5 8 ZOD NYL	2
25	1046662	BUMPER-RUBBER(10)	1
26	1046673	CLIP-CONNECTOR, 6.35 MM HOLE	1
27	1046620	BRKT-SEAT HINGE,DOUBLE,BLK	1

BODY, SEAT ASM. AND SLIDER

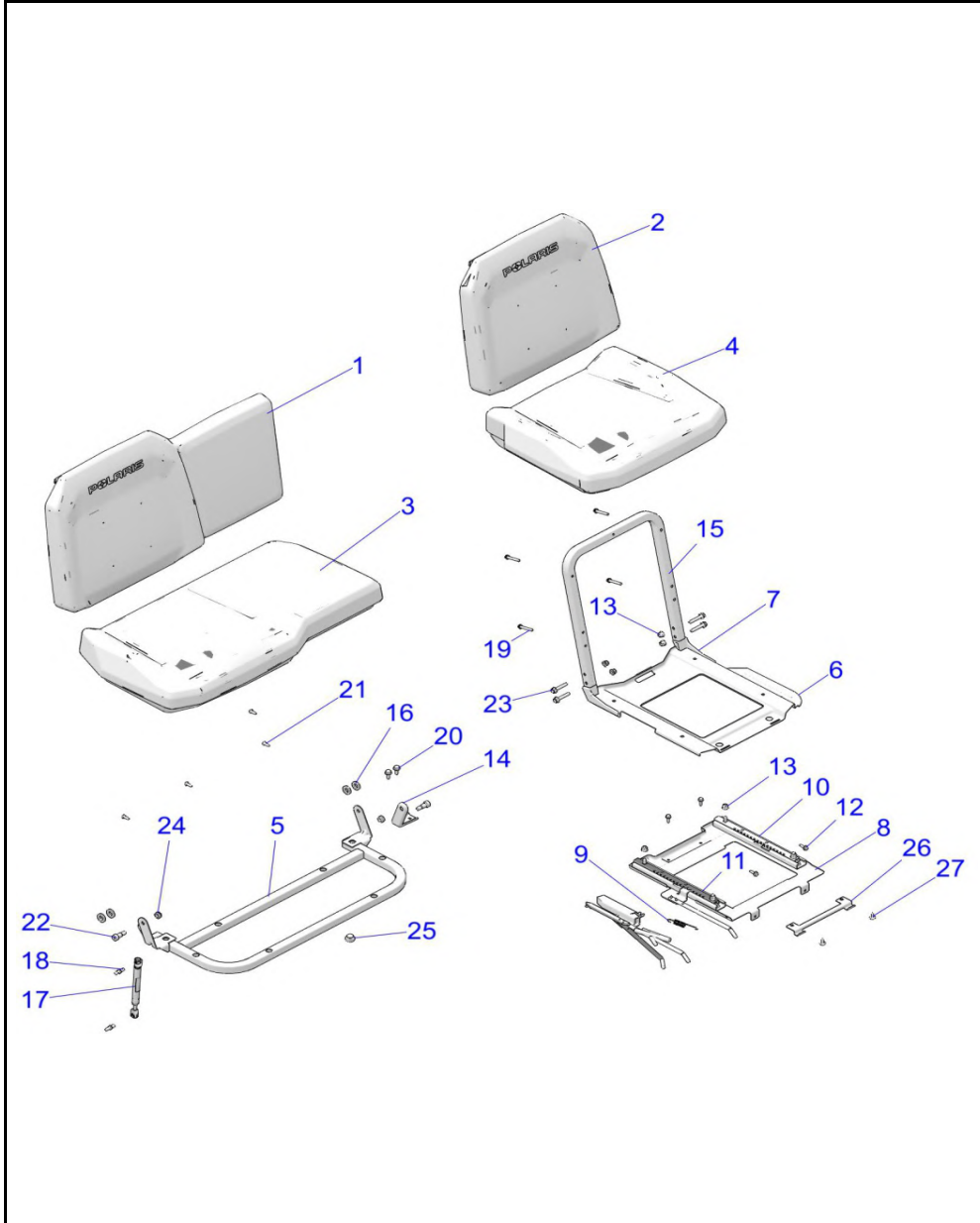
ASSEMBLIES : 2022 RGR RANGER XP 1000 EPS EU/TR/ZUG (R02) - R22RRS99C9/CK/CM/F9/FM/EF9/EFM/PCG/E99FM/E99PM



POS	SAP	Part Name	Qty
28	1014437	SCR-M6X1X16 TR/TX-M	2

BODY, SEAT ASM. AND SLIDER

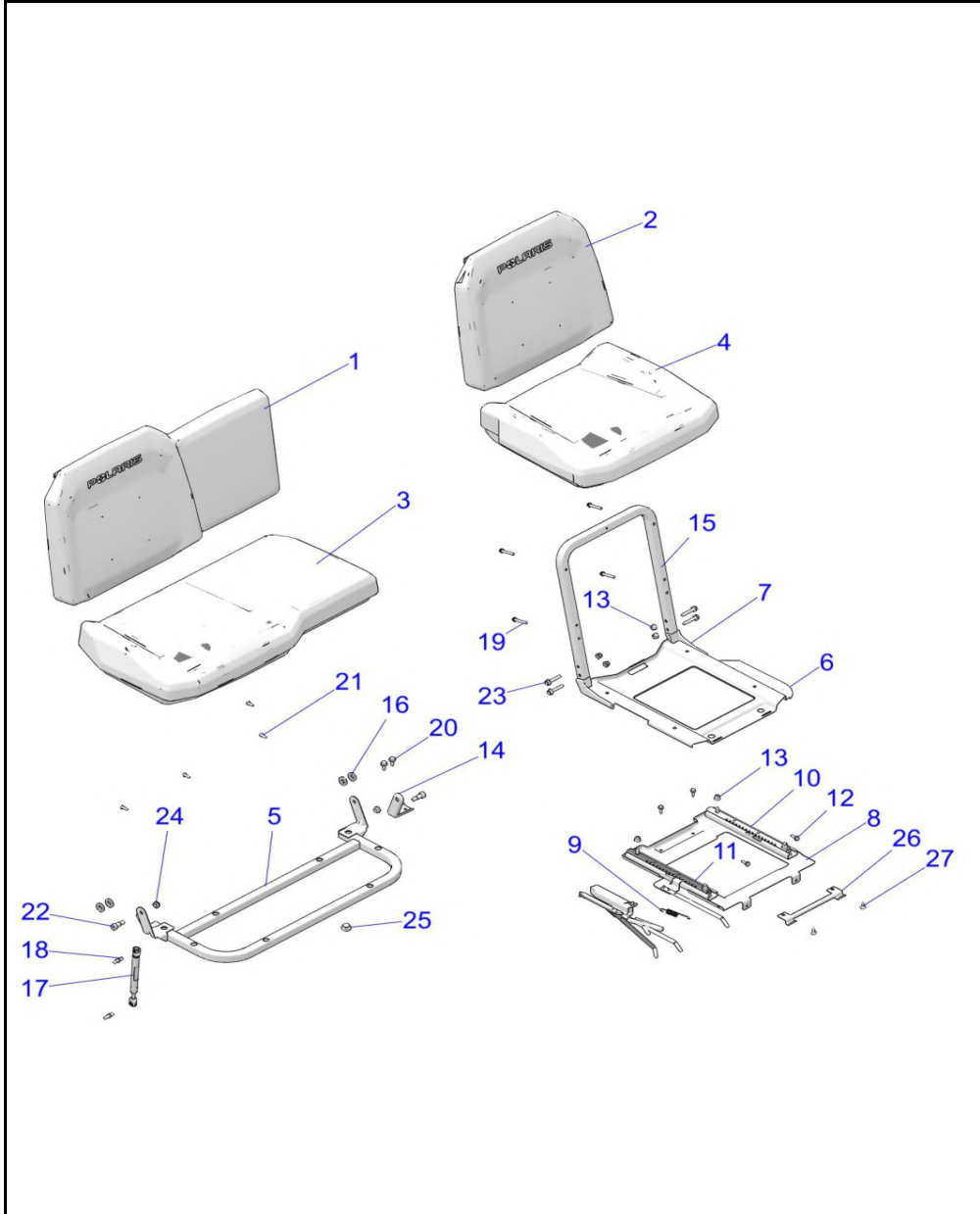
ASSEMBLIES : 2022 RGR RANGER XP 1000 EPS EU/TR/ZUG (R02) - R22RRS99C9/CK/CM/F9/FM/EF9/EFM/PCG/E99FM/E99PM



POS	SAP	Part Name	Qty
1	1048371	ASM-SEAT,BACK,60,BLK/PPC [EF9][SF9]	1
1	1048366	ASM-SEAT,BACK,60,BLACK [EFM][SFM]	1
2	1048373	ASM-SEAT,BACK,40,BLK/PPC [EF9][SF9]	1
2	1048367	ASM-SEAT,BACK,40,BLACK [EFM][SFM]	1
3	1048375	ASM-SEAT,BTM,60,BLK/PPC [EF9][SF9]	1
3	1048368	ASM-SEAT,BTM,60,BLACK [EFM][SFM]	1
4	1048377	ASM-SEAT,BTM,40,FLIP,PPC,DS [EF9][SF9]	1
4	1048369	ASM-SEAT,BTM,40,FLIP,BLK,DS [EFM][SFM]	1
5	1046660	WELD-SEAT BASE, PASS, M. BLK	1
6	1046621	ASM., SLIDE, SEAT [INCL. 7-13]	1
7	1046622	WELD-SLIDE,SEAT, TOP,BLK	1
8	1047299	BRKT-SEAT,BTM,BLK	1
9	1048379	SPRING-SEAT SLIDER	4
10	1048380	SLIDER-SEAT ADJUSTER,LH,4IN	1
11	1048370	SLIDER-SEAT ADJUSTER,RH,4IN	1
12	1039683	SCR-M6X1.0X20, HXHD, FLG, TDFM, BK	4
13	1014499	NUT- M8X1.25, FLG, NYLOC-OLIVE D	12
14	1046661	BRKT-SEAT PIVOT, BLK	1
15	1011693	TUBE-SEAT,BACK,BLK	1
16	1045833	WASHER-SEATBELT,RUBBER	7
17	1046663	SHOCK-GAS, 285MM	1
18	1046664	BALL-END	2
19	1014425	SCR-#14X1-3/4 LG,HI/LO/TAPER-M	4
20	1045689	SCR-HWH-M8X1.25X20 TAP/R ZPB	2
21	1045772	SCR-TX TRUSS-#14X3/4, HI/LO ZBK	16
22	1046665	SCR-SHS-M10X1.5-M12X16 RIE	2
23	1014461	SCR-HXFL-M8X1.25X45 8.8 ZOD	4
24	1046666	NUT-HEX M10X1.5 8 ZOD NYL	2
25	1046662	BUMPER-RUBBER(10)	1
26	1046620	BRKT-SEAT HINGE,DOUBLE,BLK	1

BODY, SEAT ASM. AND SLIDER

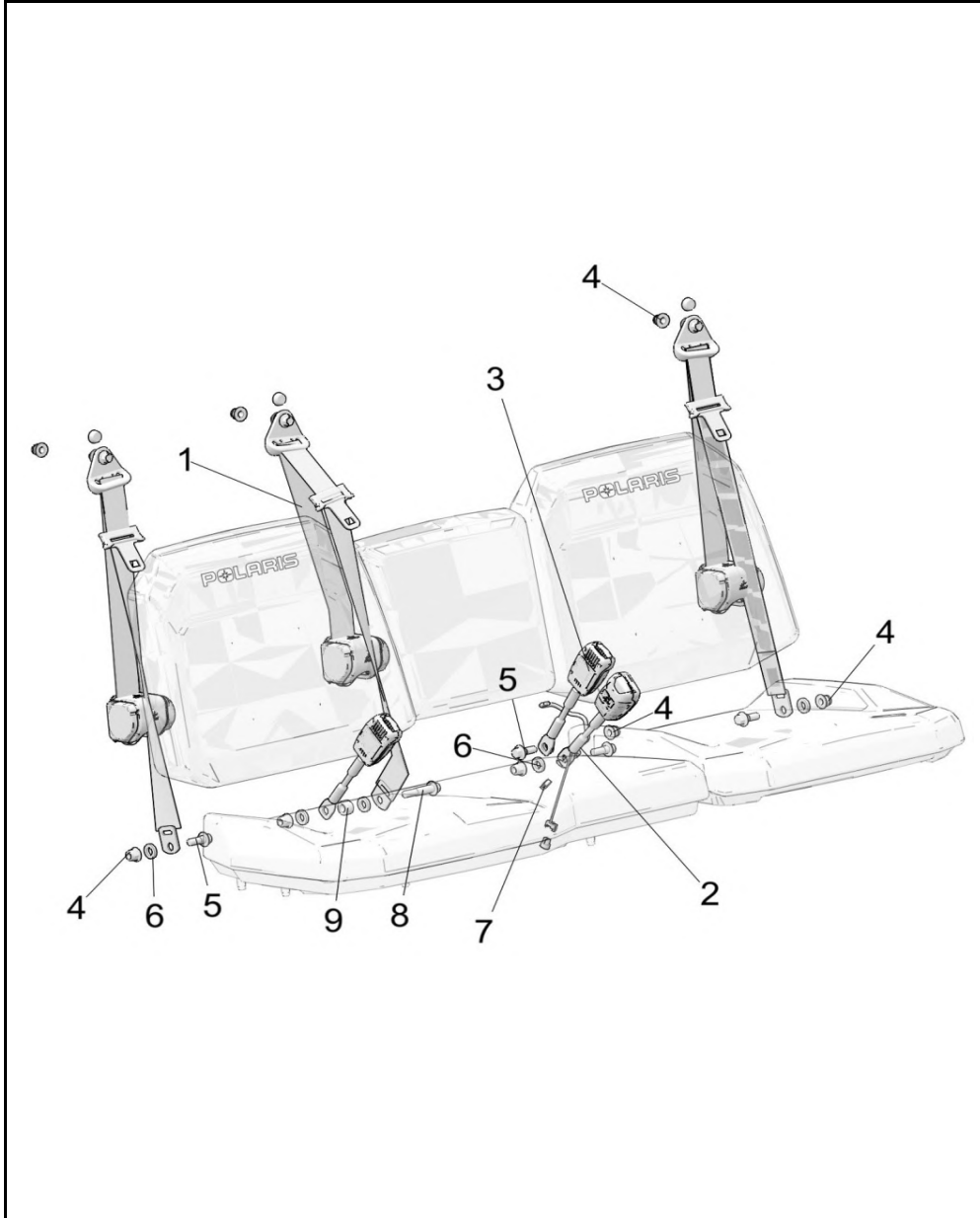
ASSEMBLIES : 2022 RGR RANGER XP 1000 EPS EU/TR/ZUG (R02) - R22RRS99C9/CK/CM/F9/FM/EF9/EFM/PCG/E99FM/E99PM



POS	SAP	Part Name	Qty
27	1014437	SCR-M6X1X16 TR/TX-M	2

BODY, SEAT BELT AND MOUNTING

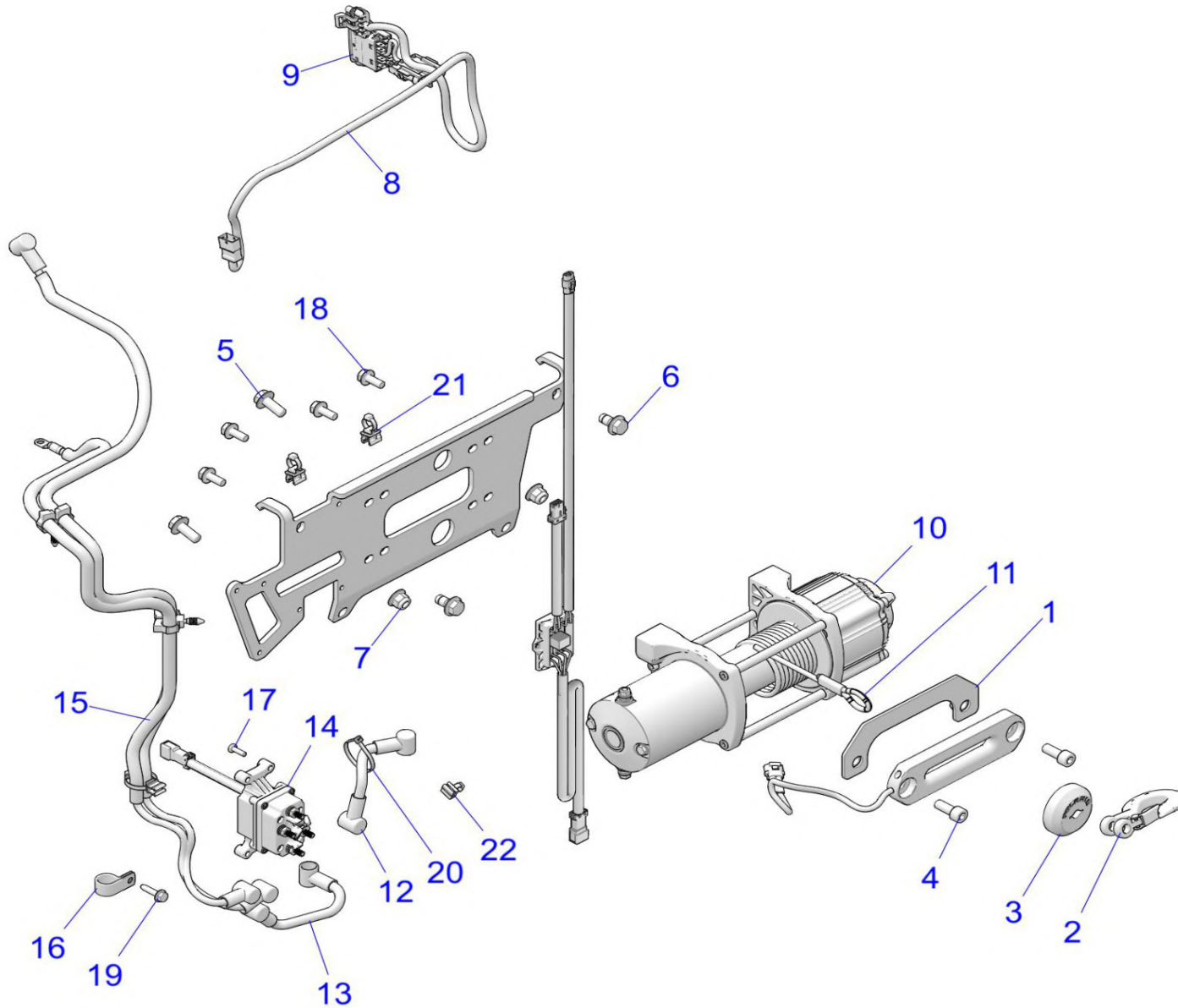
ASSEMBLIES : 2022 RGR RANGER XP 1000 EPS EU/TR/ZUG (R02) - R22RRS99C9/CK/CM/F9/FM/EF9/EFM/PCG/E99FM/E99PM



POS	SAP	Part Name	Qty
1	1046669	ASM-SEAT BELT,3PT TR	3
2	1046670	BUCKLE-SEATBELT,90,SWITCH,TR	1
3	1046671	BUCKLE-SEATBELT,PASSENGER,TR	2
4	1040256	NUT-HXFL M12X1.75 8 ZOD NYL	11
5	1046672	SCR-HXFLSH-M12X1.75-M14X9 ZOD	4
6	1045833	WASHER-SEATBELT,RUBBER	7
7	1046673	CLIP-CONNECTOR, 6.35 MM HOLE	1
8	1046674	SPACER-25.4X14.6,BLK	1
9	1046675	SCR-HXFLSH-M12X1.75-M14X35 ZOD	1

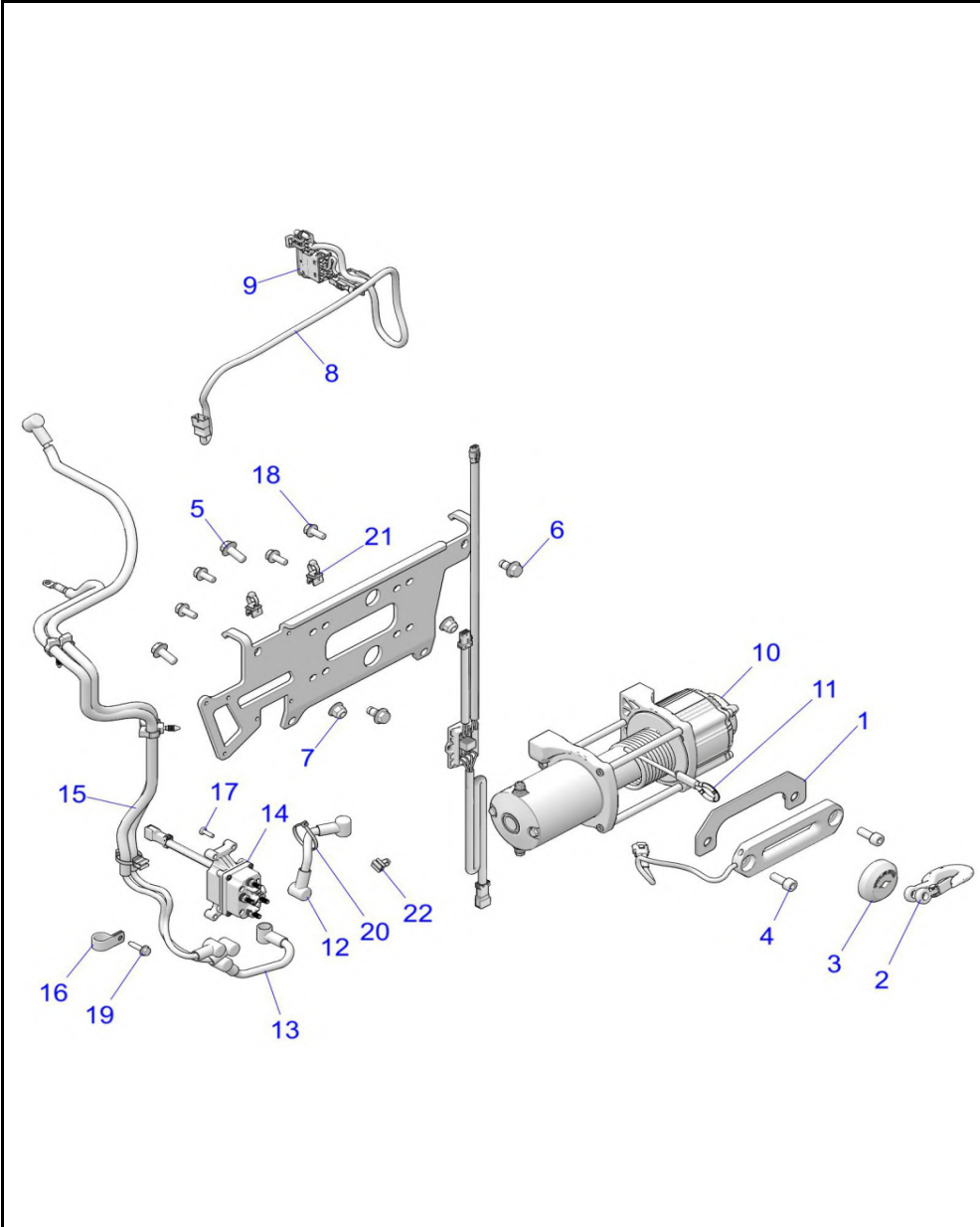
BODY, WINCH

ASSEMBLIES : 2022 RGR RANGER XP 1000 EPS EU/TR/ZUG (R02) - R22RRS99C9/CK/CM/F9/FM/EF9/EFM/PCG/E99FM/E99PM



BODY, WINCH

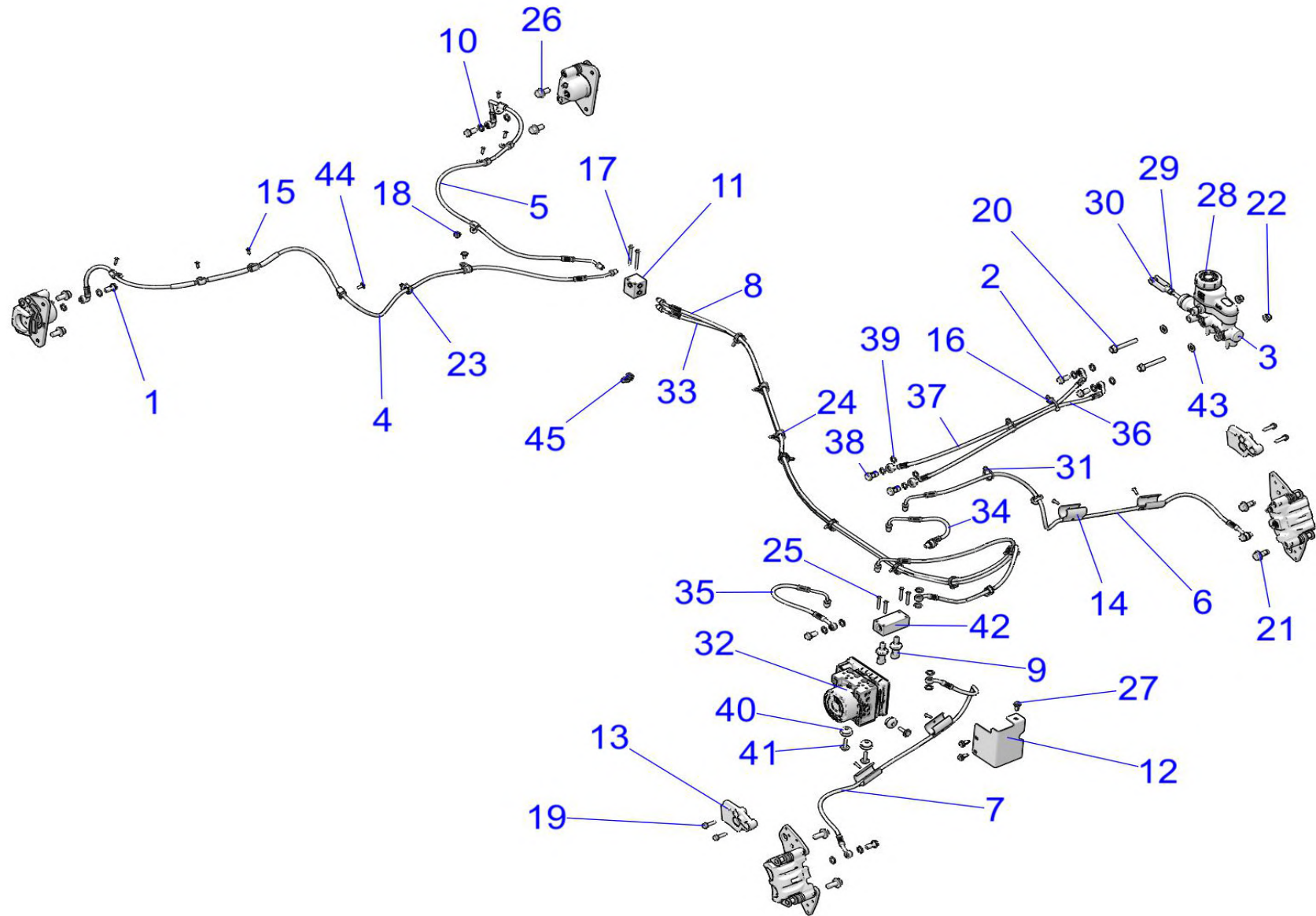
ASSEMBLIES : 2022 RGR RANGER XP 1000 EPS EU/TR/ZUG (R02) - R22RRS99C9/CK/CM/F9/FM/EF9/EFM/PCG/E99FM/E99PM



POS	SAP	Part Name	Qty
	1047308	ASM-WINCH,REMOTE,WIRELESS	1
	1047322	HOLDER-REMOTE,WIRELESS,WINCH	1
1	1047306	WELD-BRKT,WINCH FRLD BACKER [INCL. PLATE]	1
1	1047307	PLATE-BACKER 4500,FAIRLEAD MNT	1
2	1047309	HOOK, LATCH, WINCH [INCL. STRAP,PINS]	1
2	1047310	STRAP, WINCH, HOOK	1
2	1047311	PIN-CLEVIS,4500 WINCH	1
2	1047312	PIN-COTTER,WINCH	1
3	1047327	STOP-MAGNET,BMPR,V2	1
4	1047321	SCR-SH-M10X1.5X25 8.8 ZPB D513	2
5	1047323	SCR-M10X1.5X25 8.8 HXFL ZOD	2
6	1039759	SCR-HXFL-M10X1.5X20 10.9 RIE P	2
7	1014504	NUT-M10X1.5 HFN NYLOC ZOD	2
8	1047325	JUMPER-WINCH,SWITCH,SEALED	1
9	1048382	SWITCH-WINCH,SEALED	1
10	1048383	ASM-WINCH W/CNTR,45PROHD2,ZS [INCL. 10-21]	1
10	1047314	ASM-WINCH W/CONTR,45PROHD,ZS2	1
11	1047315	KIT-ROPE,WINCH,45,UHMW	1
12	1047316	CABLE-WINCH,YELLOW 6 GA,120MM	1
13	1047324	CABLE-WINCH,BLUE,6 GA,80 MM	1
14	1047317	CONTACTOR-INT,UVRSL	1
15	1048384	CABLE-CONTACTOR-TERM BLOCK ZS	1
16	1047319	CLAMP-.751D,RUBBER COATED,HD	1
17	1045565	SCREW-10X5/8-HI/LO,PN-T25,TRX-M	1
18	1046747	SCREW-HXFL-M8X1.25X20 8.8 ZOD P3	4
19	1044268	SCR-TFHFL-M6X1.0X25,ZOD	2
20	1039612	PANDUIT STRAP	1
21	1047328	STRAP-CABLE TIEW/EDGECLIP3-6MM	2
22	1046909	CLIP-EDGE, 1-3mm THICKNESS	1

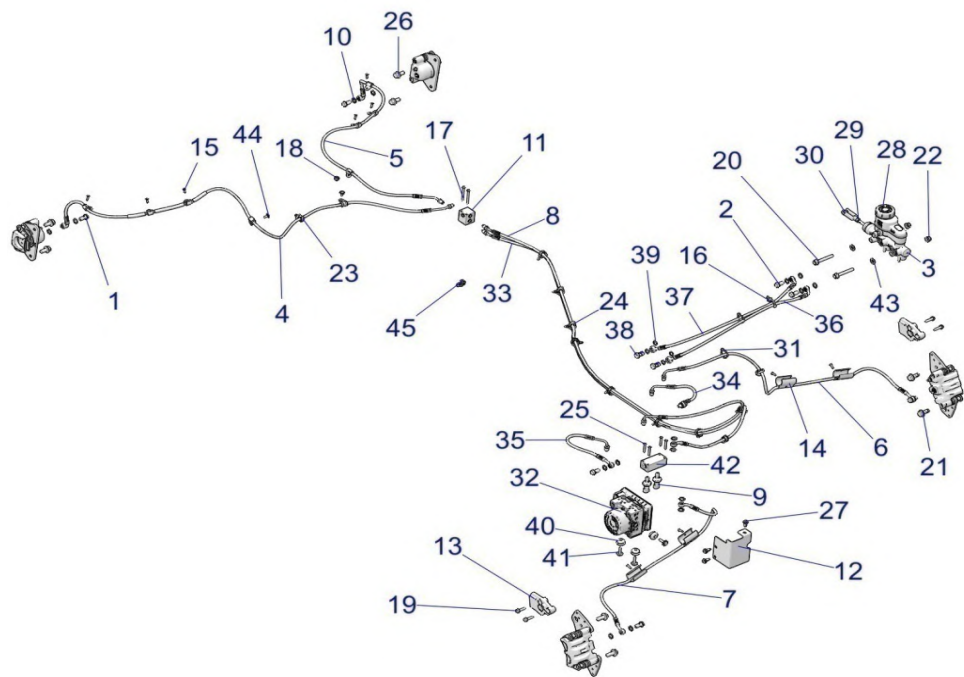
BRAKES, BRAKE LINES AND MASTER CYLINDER

ASSEMBLIES : 2022 RGR RANGER XP 1000 EPS EU/TR/ZUG (R02) - R22RRS99C9/CK/CM/F9/FM/EF9/EFM/PCG/E99FM/E99PM



BRAKES, BRAKE LINES AND MASTER CYLINDER

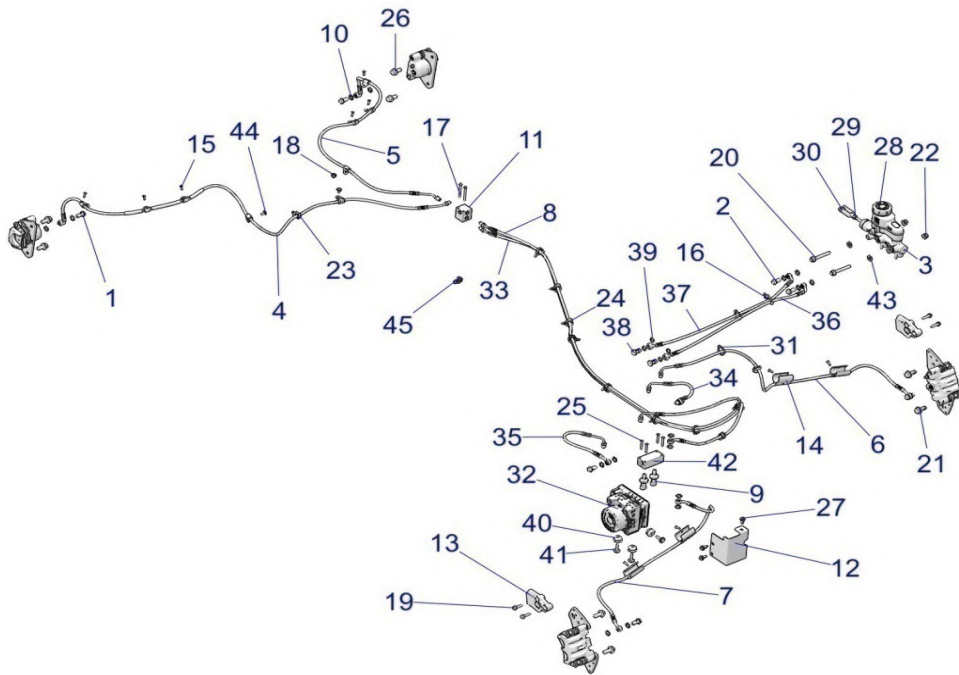
ASSEMBLIES : 2022 RGR RANGER XP 1000 EPS EU/TR/ZUG (R02) - R22RRS99C9/CK/CM/F9/FM/EF9/EFM/PCG/E99FM/E99PM



POS	SAP	Part Name	Qty
1	1039367	BOLT-BANJO,10MMX1.00-6G	4
2	1039368	BOLT-BANJO, 10MM X 1.25-6G	2
3	1046682	ASM-TANDEM MASTER CYL,FLS [INCL. 28-30]	1
4	1048385	LINE-BRK,RR,J	1
5	1046684	LINE-BRK, RL, 41.1, 45F, 90SB, 290J	1
6	1048386	LINE-BRK,FL,42,90FB,20B,126°,J	1
7	1048387	LINE-BRK,FR,33.2,30B,20B,255°J	1
8	1046687	LINE-BRK,RRM,78,90FB,20F,170°J	1
9	1046688	SWITCH-BRK,M10X1.25,SGL,NO RES	2
10	1011792	SEAL-STAT-0-3/8, 70EP	14
11	1046689	FITTING-TEE,BRAKE ONE PC ABS	1
12	1048388	BRKT-PRES SWITCH COVER,RGR ABS	1
13	1045620	SCRAPER, BRAKE, FRONT	2
14	1045848	RETAINER, BRAKE LINE, 1"	4
15	1039807	RIVET-POP 5/32(.251-.375)-ST-B	10
16	1014065	CLIP-ROUTING	8
17	1046691	SCREW	2
18	1039657	SCR-10-24X1/2, PHTXTRIRD, SEMS-Y	3
19	1040213	SCR-M6X1.0X25-HX/FL-Y/D	4
20	1039746	SCR-HXFL-M8X1.25X60 8.8 ZOD	2
21	1039704	SCR-HXFL-M10X1.25X25 8.8 Z NY	4
22	1014499	NUT- M8X1.25, FLG, NYLOC-OLIVE D	2
23	1039813	CLIP-NYLON, C, FIR-TREE	3
24	1045802	CLIP, PLASTIC(10)	8
25	1046692	SCREW-NO10 UNC-24X1-1/4"	4
26	1039690	BOLT-M10X1.25X20,HXFLG-OLV D	4
27	1014589	RIVET-TUFLOK,.315-.325X.787	3
28	1046693	KIT-SERVICE,CAP ASM,TNDM MC,HB [INCL. GASKET, PLATE, COVER]	1
29	1045844	KIT-NUTS,CLEVIS,M/C TANDEM [INCL. 2 NUTS]	1

BRAKES, BRAKE LINES AND MASTER CYLINDER

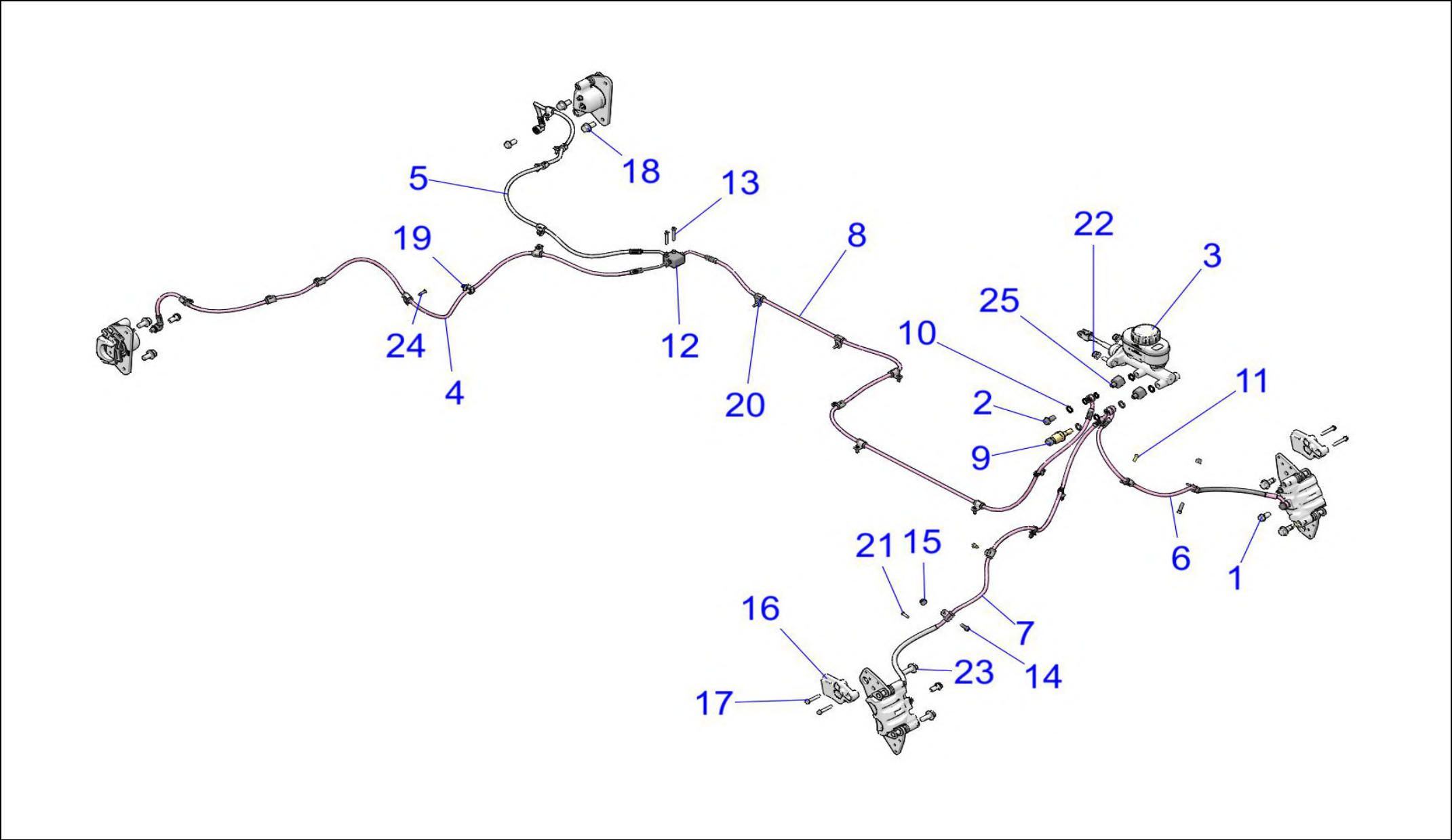
ASSEMBLIES : 2022 RGR RANGER XP 1000 EPS EU/TR/ZUG (R02) - R22RRS99C9/CK/CM/F9/FM/EF9/EFM/PCG/E99FM/E99PM



POS	SAP	Part Name	Qty
30	1045843	Kit, Clevis, Master Cylinder Tandem	1
31	1039612	PANDUIT STRAP	2
32	1046694	ASM-HECU ABS,PROG,ZEUS,MY19	1
33	1046695	LINE-BRK,LIP,80,30B,20F,155°,J	1
34	1046696	LINE-BRK,RLM,8.3,90FB,90B,150°	1
35	1046697	LINE-BRK,FRM,12,90FB,20B,80°J	1
36	1046698	LINE-BRK,M1,23,90B,20B,228°,J	1
37	1046699	LINE-BRK,M2,23.6,70B,20B,305°J	1
38	1046700	BOLT-BANJO-X-SHORT,M12X1.0-6G	2
39	1046701	WASHER-COPPER 12.3 MM X1.5 THK	4
40	1046702	GROMMET, MOUNT, ABS	3
41	1046703	SCREW-HH-M6X1.0X25 8.8 ZPC SPC	3
42	1046704	FITTING-TEE,BRAKE,ABS RGR	1
43	1039800	WSHR-.344X.750X.062-Y	2
44	1047334	RIVET-POP 3/16(.126-.250)-ST-B	1
45	1045706	CLIP-EDGE, 1-3mm THICKNESS	1

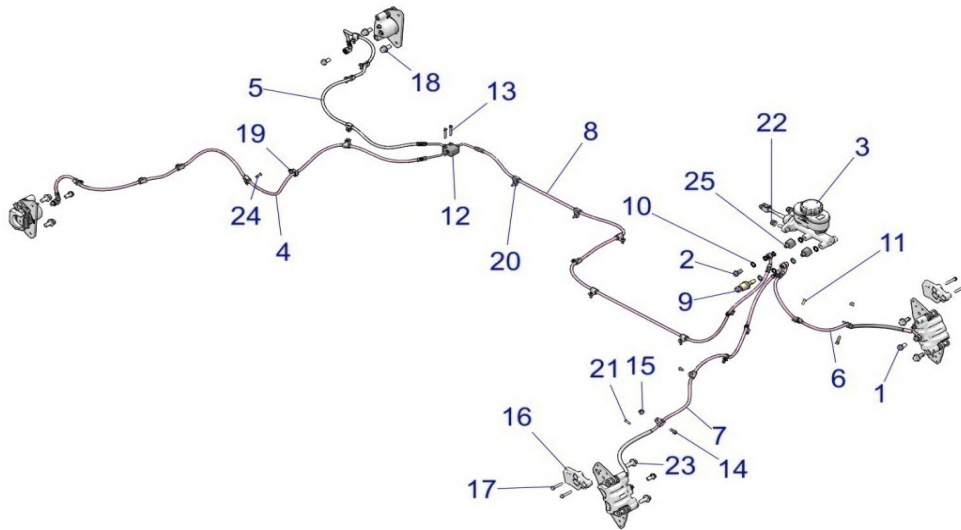
BRAKES, BRAKE LINES AND MASTER CYLINDER

ASSEMBLIES : 2022 RGR RANGER XP 1000 EPS EU/TR/ZUG (R02) - R22RRS99C9/CK/CM/F9/FM/EF9/EFM/PCG/E99FM/E99PM



BRAKES, BRAKE LINES AND MASTER CYLINDER

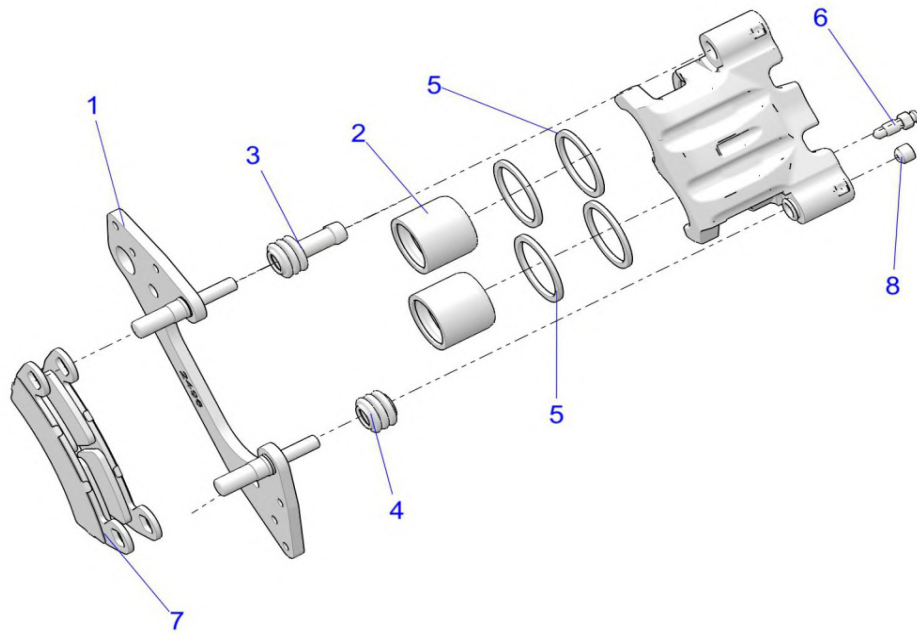
ASSEMBLIES : 2022 RGR RANGER XP 1000 EPS EU/TR/ZUG (R02) - R22RRS99C9/CK/CM/F9/FM/EF9/EFM/PCG/E99FM/E99PM



POS	SAP	Part Name	Qty
1	1039367	BOLT-BANJO,10MMX1.00-6G	4
2	1039368	BOLT-BANJO, 10MM X 1.25-6G	1
3	1046676	ASM-M/C-T-FLANGE,3/4 BORE [EF9][EFM][SF9][SFM]	1
3	1047329	ASM,FLANGE-MNT-TMC,FLUID-LVL [SC9[SCK][SCM]	1
4	1048385	LINE-BRK,RR,J	1
5	1046684	LINE-BRK, RL, 41.1, 45F, 90SB, 290J	1
6	1047330	LINE-BRAKE,FL	1
7	1047331	LINE-BRAKE,FR	1
8	1048390	LINE-BRK,MCT	1
9	1032907	SWITCH-BRK, M10X1.25, DBL, SEALED [QTY 1 FOR EF9/EFM/SC9/SCK/SCM/SF9/SFM]	1
10	1011792	SEAL-STAT-0-3/8, 70EP	13
11	1039657	SCR-10-24X1/2, PHTXTRIRD, SEMS-Y	3
12	1039608	FITTING, TEE, BRAKE	1
13	1039655	SCR-10-24X1.25TFM PN TRX TRI-Y	2
14	1039698	SCREW-HXFL-M6X1.0X20 8.8 ZY3	2
15	1039789	NUT-HXFL-M6X1.0 8 ZB3 NYL	2
16	1045620	SCRAPER, BRAKE, FRONT	2
17	1014452	SCR-HXFL-M6X1.0X35, W/PATCHLOK	4
18	1039690	BOLT-M10X1.25X20,HXFLG-OLV D	4
19	1047333	CLIP-NYLON,FIR-TREE,7.0	4
20	-----	CLAMP	18
21	1039807	RIVET-POP 5/32(.251-.375)-ST-B	20
22	1014499	NUT- M8X1.25, FLG, NYLOC-OLIVE D	6
23	1039704	SCR-HXFL-M10X1.25X25 8.8 Z NY	4
24	1047334	RIVET-POP 3/16(.126-.250)-ST-B	1
25	1047335	REDUCER,FLS,1.2MM [SC9[SCK][SCM]	2

BRAKES, FRONT CALIPER

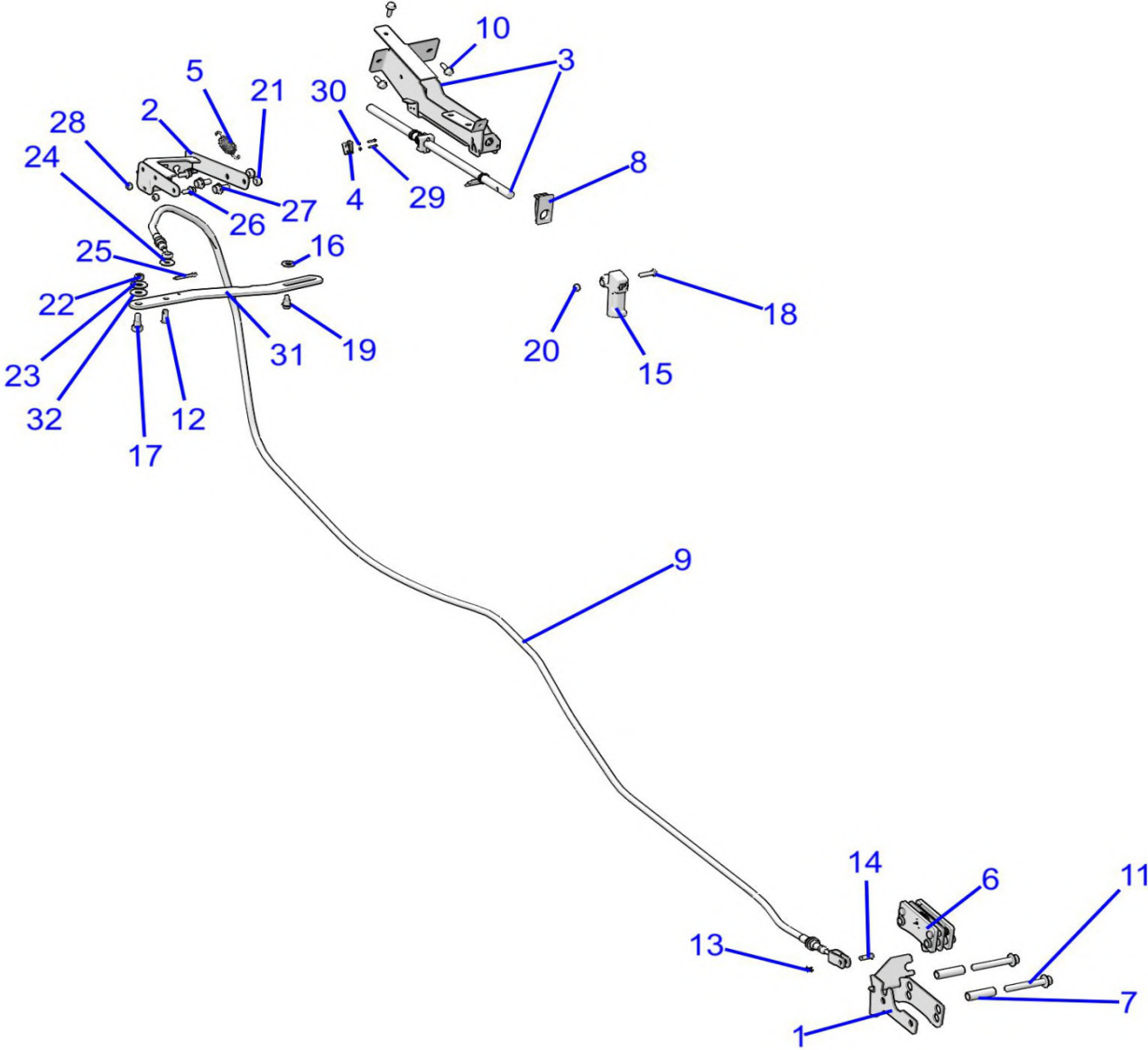
ASSEMBLIES : 2022 RGR RANGER XP 1000 EPS EU/TR/ZUG (R02) - R22RRS99C9/CK/CM/F9/FM/EF9/EFM/PCG/E99FM/E99PM



POS	SAP	Part Name	Qty
	1046705	ASM-BRK-CAL-L-DB1-3/8-GROOVED [INCL. ALL]	1
	1046706	ASM-BRK-CAL-R-DB1-3/8-GROOVED [INCL. ALL]	1
1	1039374	ASM., CALIPER, MOUNT, DOUBLE BORE	2
2	1011199	PISTON-BRAKE,1.375,AL,GROOVED	4
3	1011787	BOOT, PIN, BUSHING	2
4	1011788	SHORT CALIPER BOOT	2
5	1011791	SEAL-CALIPER,INNER,1.375"	8
6	1014062	SCR-M7X1.0,BLEEDER,OLIVE D	2
7	1005164	KIT-ASM,PAD,BRAKE,DB,1.375 [INCL. 2 PADS]	1
7	1045125	K-ASM,HD,PAD,BRK,DB,1.375 (HEAVY DUTY) [OPTIONAL]	1
8	1014436	SCR-M10X1.0X8,SOC SET-OD	2

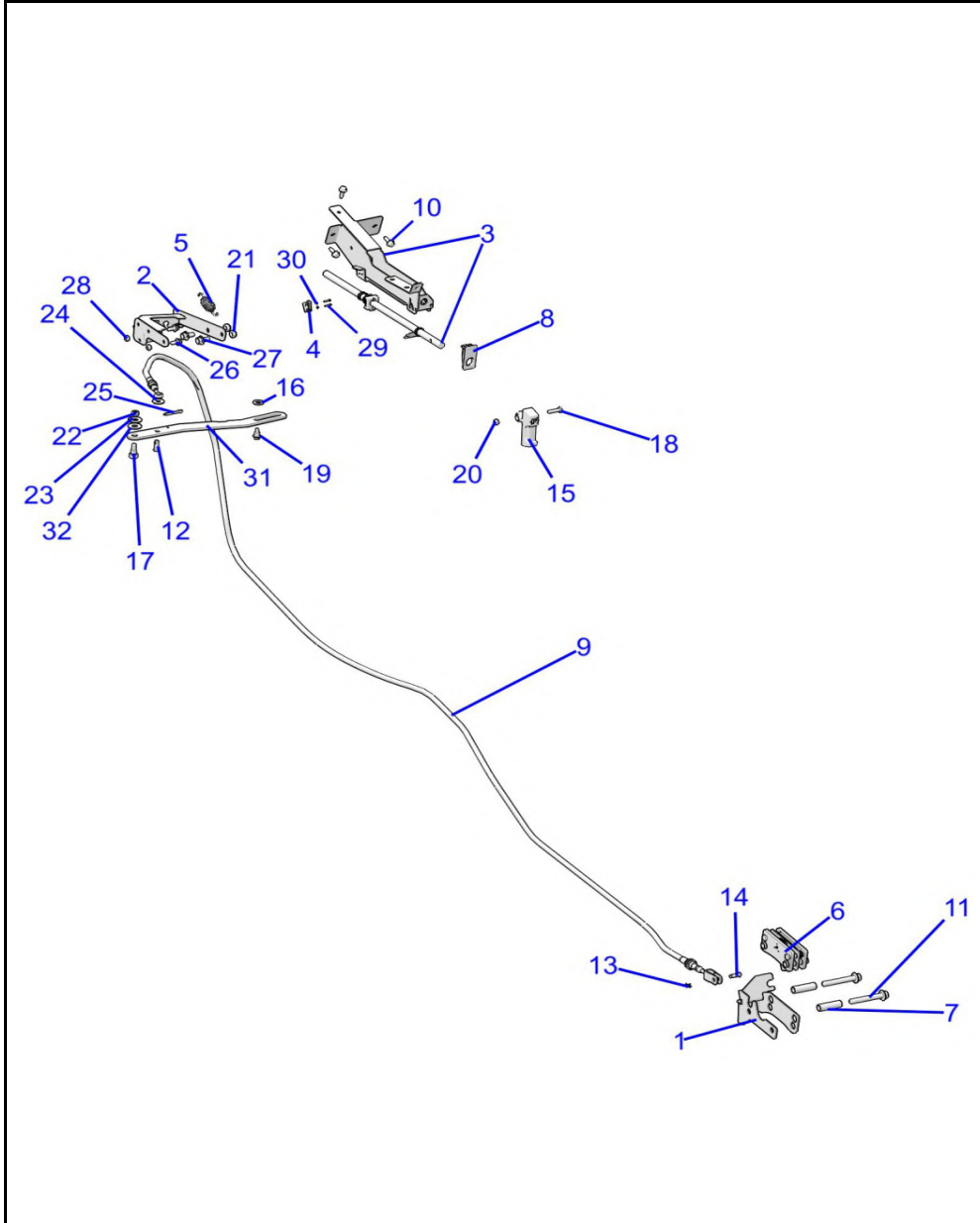
BRAKES, PARK BRAKE

ASSEMBLIES : 2022 RGR RANGER XP 1000 EPS EU/TR/ZUG (R02) - R22RRS99C9/CK/CM/F9/FM/EF9/EFM/PCG/E99FM/E99PM



BRAKES, PARK BRAKE

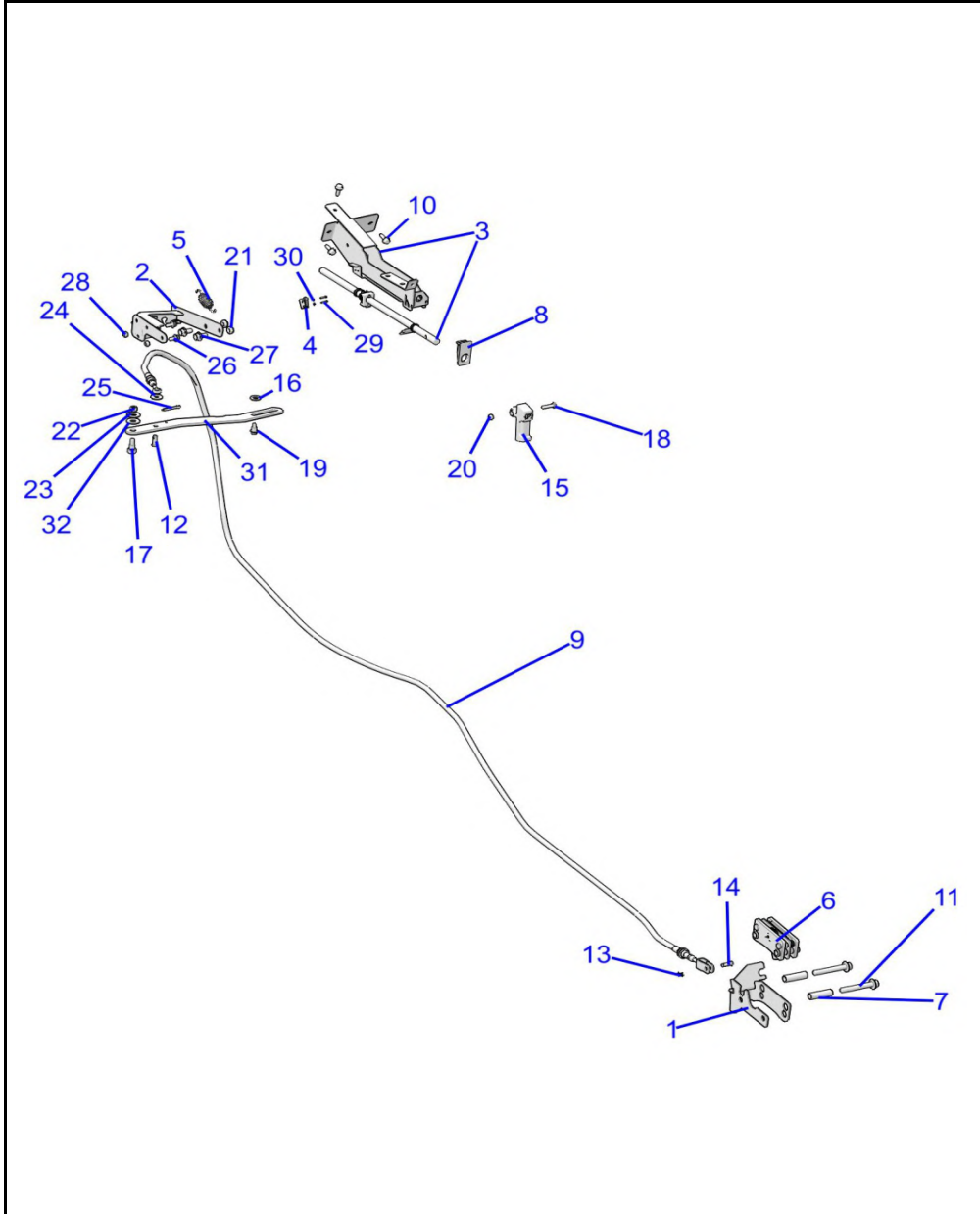
ASSEMBLIES : 2022 RGR RANGER XP 1000 EPS EU/TR/ZUG (R02) - R22RRS99C9/CK/CM/F9/FM/EF9/EFM/PCG/E99FM/E99PM



POS	SAP	Part Name	Qty
1	1048391	WELD-BRKT-SHIFT,PB,CABLE,BLK	1
2	1047337	WELD-BRKT-CABLE,PB,BLK	1
3	1047338	ASM-T LEVER,PARK BRAKE [INCL. 4,29,30]	1
3	1047339	WELD-PARK BRAKE BRKT	1
4	1046712	SWITCH-PARK BRAKE,SVC	1
5	1047340	SPRING 20MM,PB,ZS	1
6	1047341	ASM-CLPR,PB,SERV,ZS	1
7	1046714	SPACER,PARKING BRAKE, 46.8	2
8	1046715	PLUG-HOLE,PARK BRAKE	1
9	1046716	CABLE-PARKING BRAKE,FRGR,EU	1
10	1039683	SCR-M6X1.0X20, HXHD, FLG, TDFM, BK	3
11	1039692	BOLT-M10X1.25X70,HXFLG-OLIVE D	2
12	1046717	PIN-CLEVIS,5/16 X 3/4	1
13	1039808	PIN, CLIP, 14MM	1
14	1039809	PIN-CLEVIS, 1/4 X 3/4 -Y	1
15	1047342	HANDLE-BRAKE,PARK	1
16	1046719	SPACER-FLAT	1
17	1046720	SCR-SOCHDSLDR,M8X13,10DX10L	1
18	1046721	BOLT, TORX, PANHEAD, BLACK	1
19	1047343	SCREW-M6X1.0X16 SHLD ZPB	1
20	1039777	NUT-HEXHD,M6,DIN980V,0600100	1
21	1046077	NUT-M8X1.25C10,HX,NYL,DIN982,Z	2
22	1046723	NUT-HEX-M8X1.25 10 ZY3 P30	1
23	1046724	WSHR-FL .445X1.00X.093-Y	2
24	1046725	WASHER-.315/.325X.88X.075,FL-Y	1
25	1040152	CLIP-HITCHPIN .148X3 1/16	1
26	1046726	SCREW-HXFL-M6X1.0X14, 8.8 ZPB	2
27	1046727	SCR-HXFL-M8X1.25X16 8.8 ZPB	2
28	1039773	NUT-6MM X 1 NYLOK-Z	2
29	1046728	SCREW-M2X14	2

BRAKES, PARK BRAKE

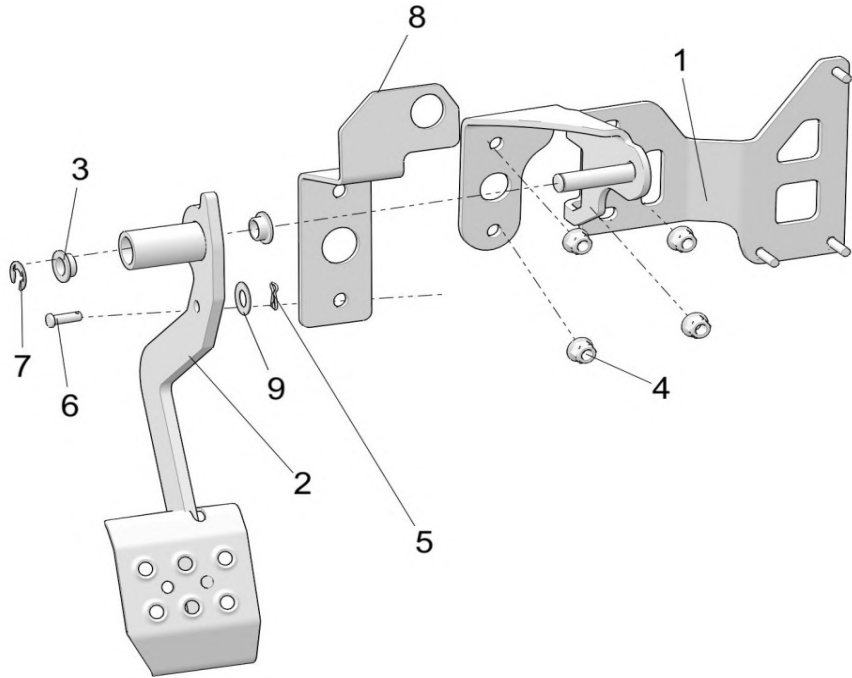
ASSEMBLIES : 2022 RGR RANGER XP 1000 EPS EU/TR/ZUG (R02) - R22RRS99C9/CK/CM/F9/FM/EF9/EFM/PCG/E99FM/E99PM



POS	SAP	Part Name	Qty
30	1046729	WASHER-M2	2
31	1047344	BRKT-LEVER,BLK	1
32	1014520	WASHER-3/8 FW SAE STL THRU-HRD	1

BRAKES, PEDAL

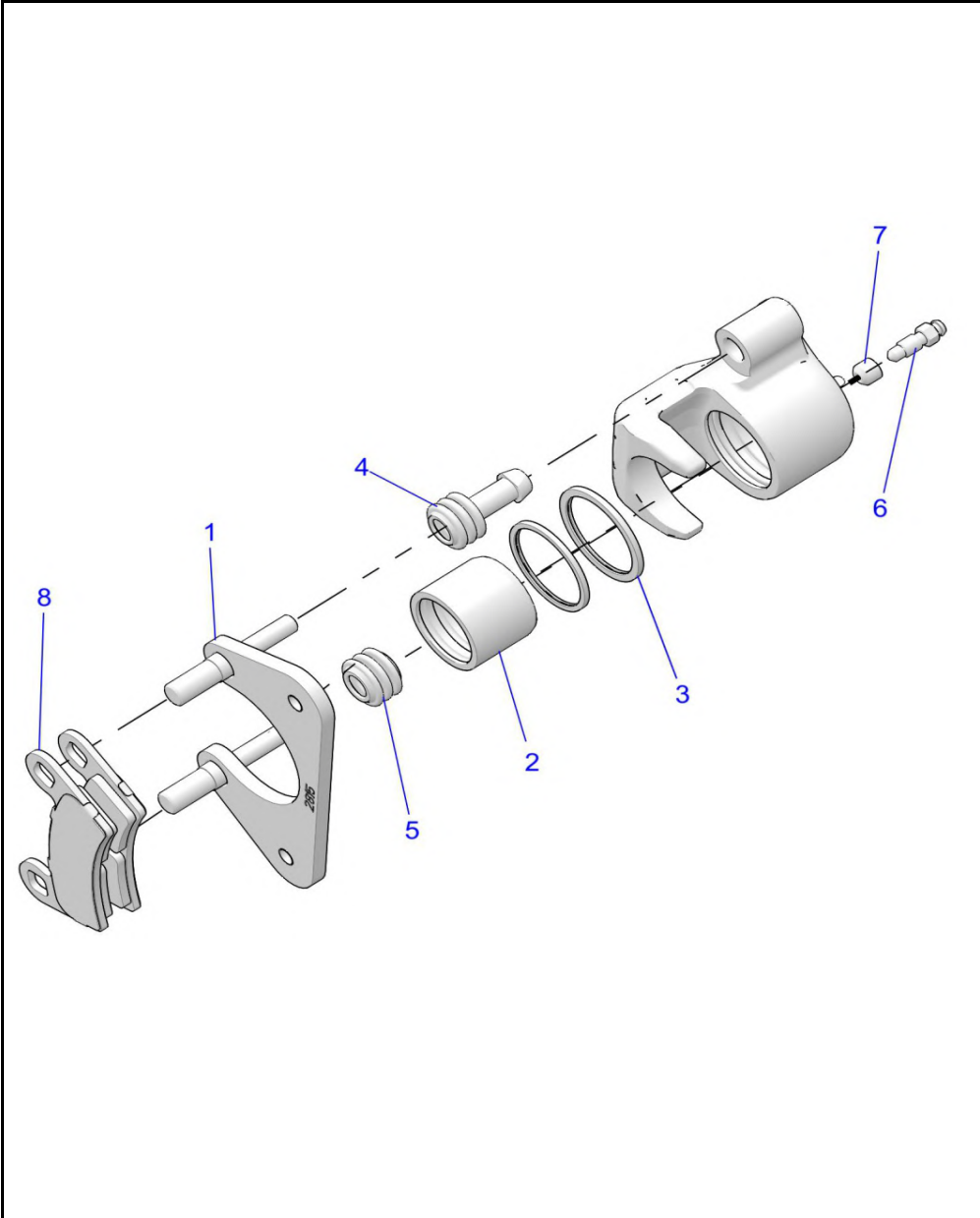
ASSEMBLIES : 2022 RGR RANGER XP 1000 EPS EU/TR/ZUG (R02) - R22RRS99C9/CK/CM/F9/FM/EF9/EFM/PCG/E99FM/E99PM



POS	SAP	Part Name	Qty
1	1046731	WELD-PEDAL MOUNT,BLK [EF9][EFM][SC9][SCK][SCM][SF9][SFM]	1
1	1048392	WELD-PEDAL MOUNT,ABS TR,BLK [PCG]	1
2		PEDAL, BRAKE, MATTE BLACK	
2	1001526	[EF9][EFM][SC9][SCK][SCM][SF9][SFM]	1
2	1048392	WELD-PEDAL MOUNT,ABS TR,BLK [PCG]	1
3	1039567	BUSHING, PEDAL, PIVOT	2
4	1014499	NUT- M8X1.25, FLG, NYLOC-OLIVE D	4
5	1039808	PIN, CLIP, 14MM	1
6	1039809	PIN-CLEVIS, 1/4 X 3/4 -Y	1
6	1046736	PIN-CLVS JOINT ISO2341-B-10X26 [PCG]	1
7	1039821	RING-RETAINING, "E",EXT., .500	1
8	1046737	BRKT-TRS,PEDAL MOUNT,BLK [PCG]	1
9	1046738	WASHER-0.75X.400X.03,FL-Y [PCG]	1

BRAKES, REAR CALIPER

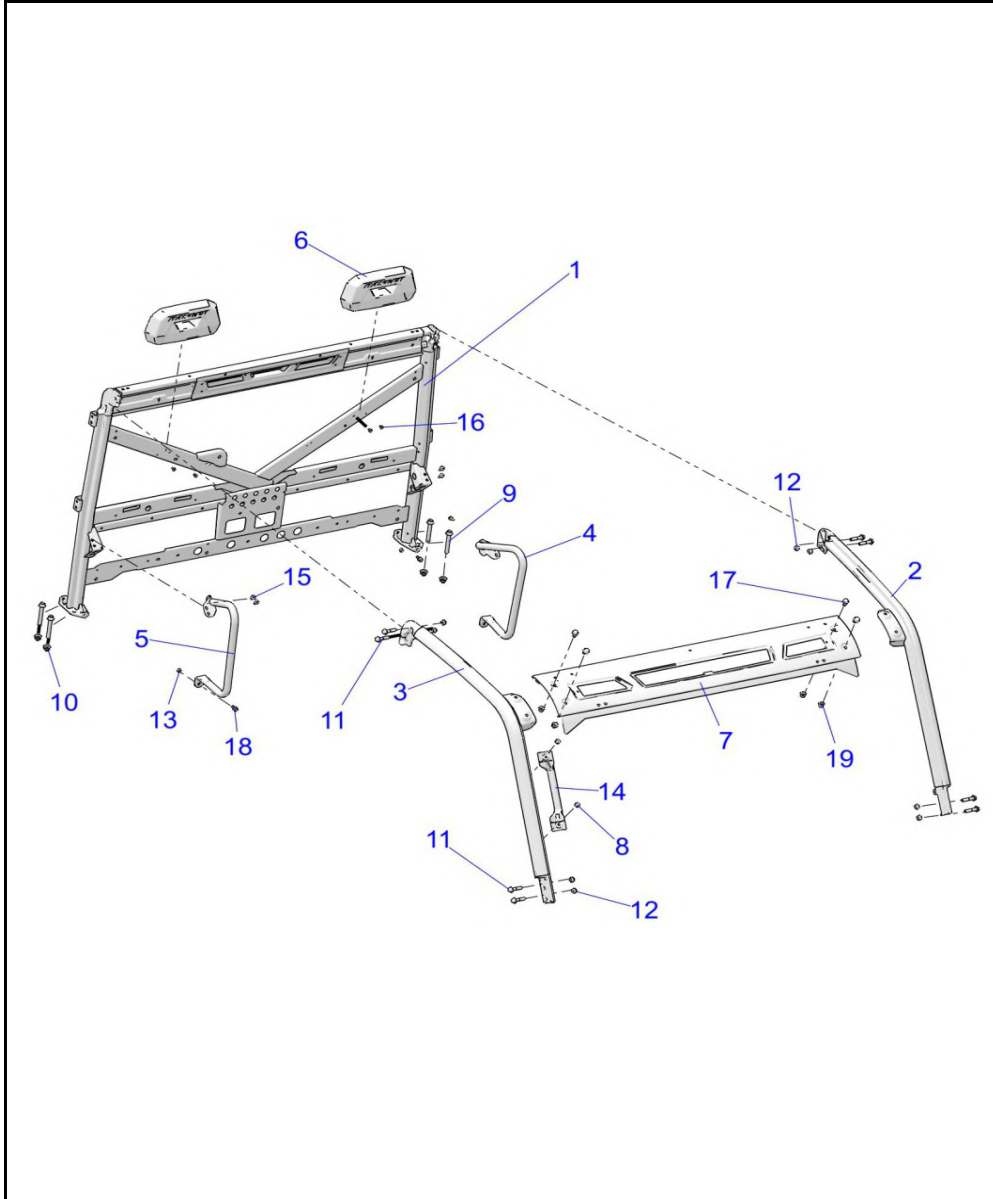
ASSEMBLIES : 2022 RGR RANGER XP 1000 EPS EU/TR/ZUG (R02) - R22RRS99C9/CK/CM/F9/FM/EF9/EFM/PCG/E99FM/E99PM



POS	SAP	Part Name	Qty
1	1046741	ASM-CALIPER MNT,SGL BORE	1
2	1011200	PISTON-BRAKE,1.5,AL,GROOVED	1
3	1011783	SEAL-CALIPER INNER,1.50"	1
4	1011787	BOOT, PIN, BUSHING	1
5	1011788	SHORT CALIPER BOOT	1
6	1014062	SCR-M7X1.0,BLEEDER,OLIVE D	1
7	1014436	SCR-M10X1.0X8,SOC SET-OD	1
8	1005140	KIT, BRAKE PAD, DUAL BORE [INCL. 4 PADS]	1
8	1040229	K-BRAKE,HD,PAD,DB1" (HEAVY DUTY) [OPTIONAL]	1

CHASSIS, CAB FRAME

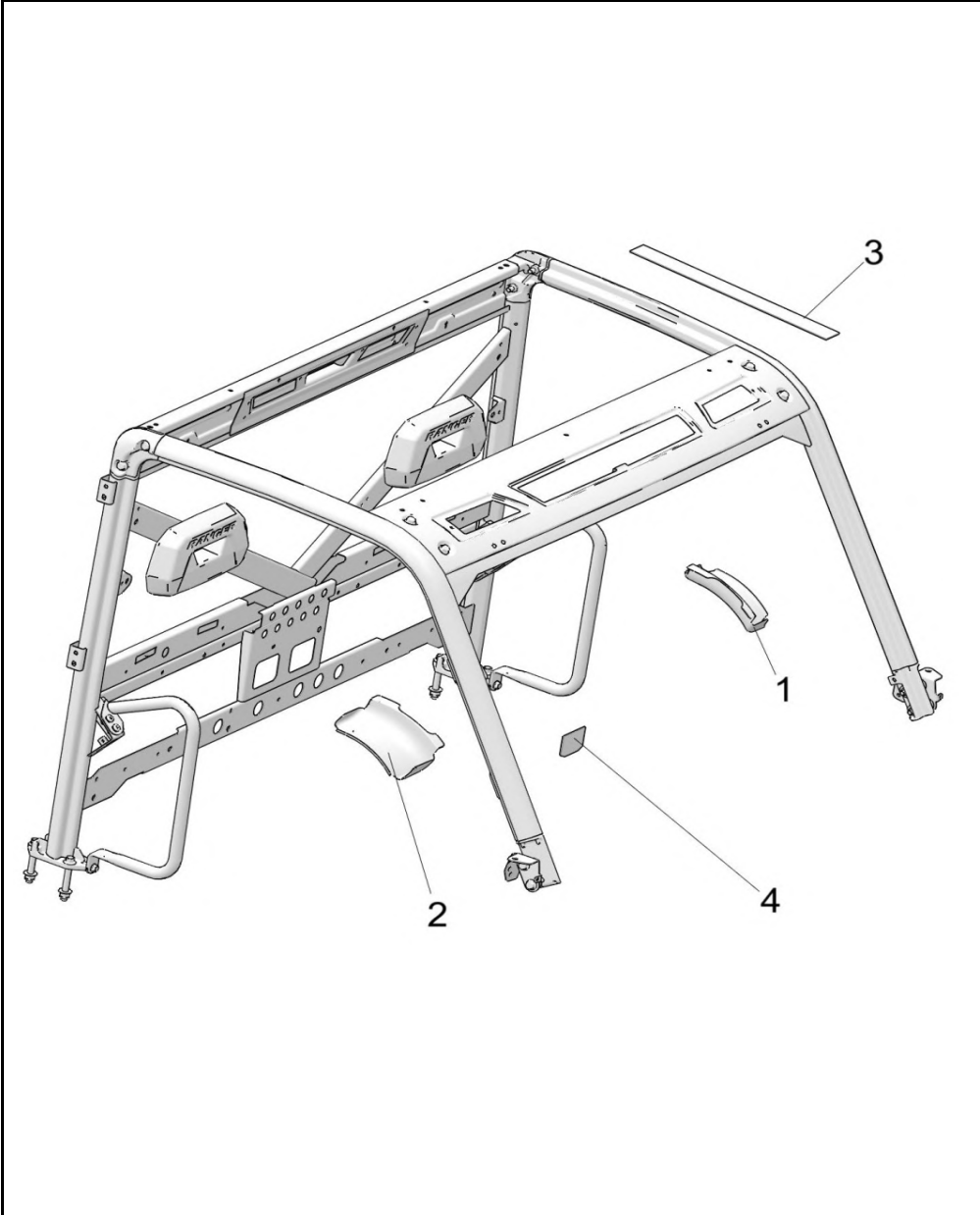
ASSEMBLIES : 2022 RGR RANGER XP 1000 EPS EU/TR/ZUG (R02) - R22RRS99C9/CK/CM/F9/FM/EF9/EFM/PCG/E99FM/E99PM



POS	SAP	Part Name	Qty
1	1028630	WELD-CAB FRAME,REAR,EU,M.BLK	1
2	1001542	WELD-CAB FRAME,FRT,LH,M.BLK	1
3	1001543	WELD-CAB FRAME,FRT,RH,M.BLK	1
4	1001546	WELD-BOLSTER, LH, M. BLK	1
5	1001547	WELD-BOLSTER, RH, M. BLK	1
6	1011854	HEADREST, BLACK	2
7	1047349	K-PLATE,WSHLD MNT,UPR,RGRXP,EU [INCL DECAL][EF9][EFM]	1
7	1047350	K-PLATE,WSHLD MNT,UPR,RGRXP,TR [INCL DECAL][SC9][SCK][SCM][SF9][SFM][PCG]	1
8	1039688	SCR-TFHFL-M8X1.25X20 CHS ZOD	2
9	1046744	SCR-SHXFL-M12X1.75X90 10.9 ZPC	4
10	1040256	NUT-HXFL M12X1.75 8 ZOD NYL	4
11	1014470	SCR-HXFL-M10X1.5X45 10.9 RIE	8
12	1039793	NUT-HEX-M10X1.5 10 ZB3 NYL	8
13	1014497	NUT-HEX,M8X1.25,NYLOCK-SS [SCK TO 9/14/2021]	2
13	1047351	NUT-HEXHD,M8X1.25,0600092 [SCK FRM 9/14/2021]	2
14	1046745	HANDLE, GRAB, ROPS, BLACK	1
15	1014459	SCR-TXTH-M6X1.0X25 ZFB	4
16	1046746	RIVET-POP 3/16 (.376-.500) AL-LFB	4
17	1039759	SCR-HXFL-M10X1.5X20 10.9 RIE P	4
18	1046747	SCREW-HXFL-M8X1.25X20 8.8 ZOD P3	2
19	1039793	NUT-HEX-M10X1.5 10 ZB3 NYL	4

CHASSIS, EDGE COVERS, TR

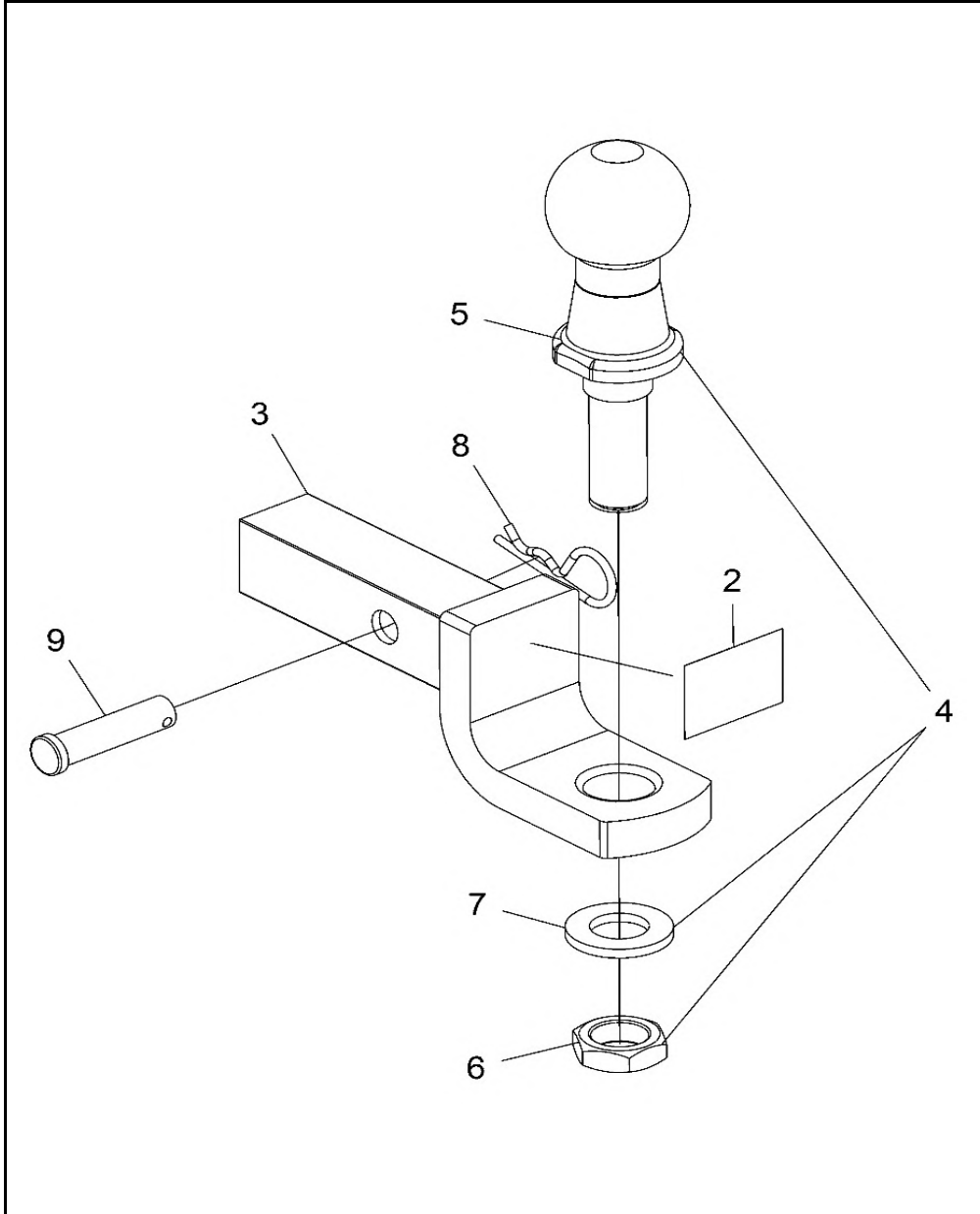
ASSEMBLIES : 2022 RGR RANGER XP 1000 EPS EU/TR/ZUG (R02) - R22RRS99C9/CK/CM/F9/FM/EF9/EFM/PCG/E99FM/E99PM



POS	SAP	Part Name	Qty
1	1046515	COVER-WS,LH,TR,BLK [SC9][SCK][SCM][PCG]	1
2	1046516	COVER-WS,RH,TR,BLK [SC9][SCK][SCM][PCG]	1
3	1040242	PAD-STRAP,43X490 [SC9][SCK][SCM][PCG]	1
4	1046517	PAD-STRAP,75X53 [SC9][SCK][SCM][PCG]	4

CHASSIS, HITCH

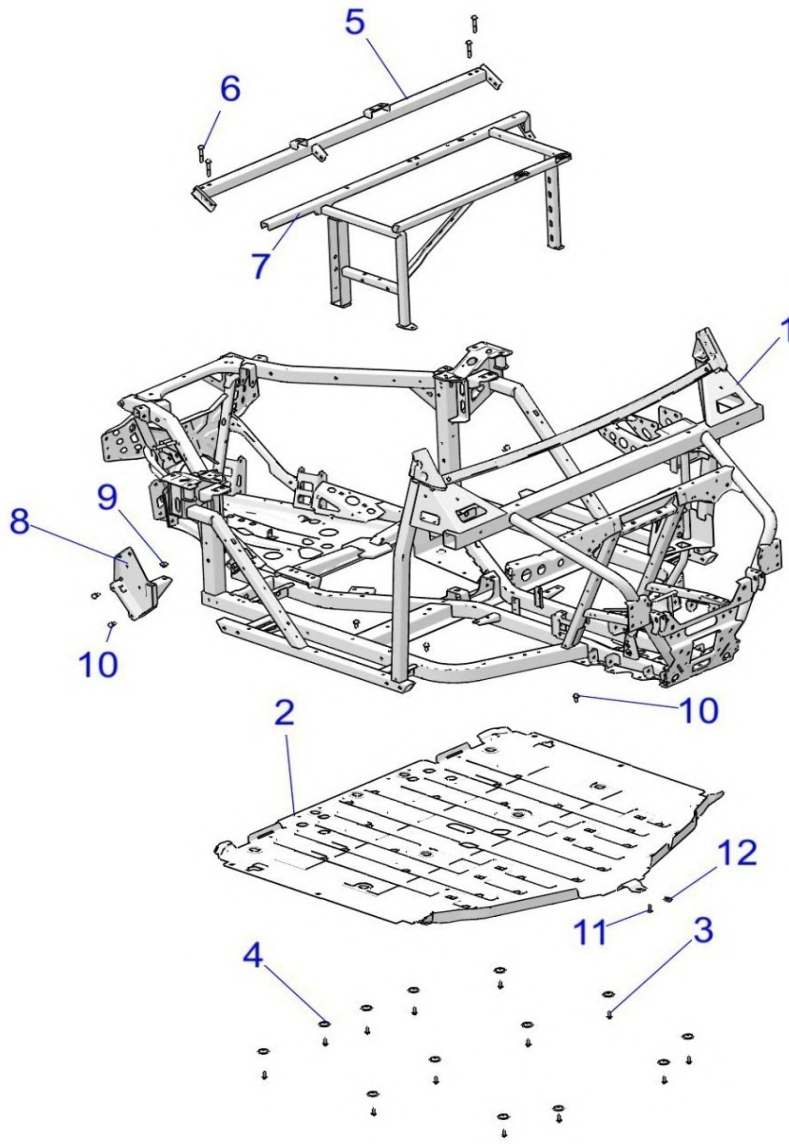
ASSEMBLIES : 2022 RGR RANGER XP 1000 EPS EU/TR/ZUG (R02) - R22RRS99C9/CK/CM/F9/FM/EF9/EFM/PCG/E99FM/E99PM



POS	SAP	Part Name	Qty
1	1046748	HITCH-RGR	1
2	-----	DECAL-HITCH,RGR,CERTIFD,REG55	1
2	1046583	DECAL, HITCH, EU,RANGER [SCK][SCM][SFM][SF9]	1
3	-----	WELD-HITCH,RGR,EU,M.BLK	1
4	-----	K-BALL,REAR,TRC/ZUG,R55 [INCL. 6,7]	1
5	-----	HITCH-BALL,REG 55,ATV,TRC/ZUG	1
6	-----	NUT-HEX,M20X1.5X10	1
7	-----	WASHER-3/4IN,HARDENED	1
8	-----	CLIP-HITCHPIN .148X3 1/16	1
9	-----	PIN-TRAILER,RGR	1

CHASSIS, MAIN FRAME AND SKID PLATES

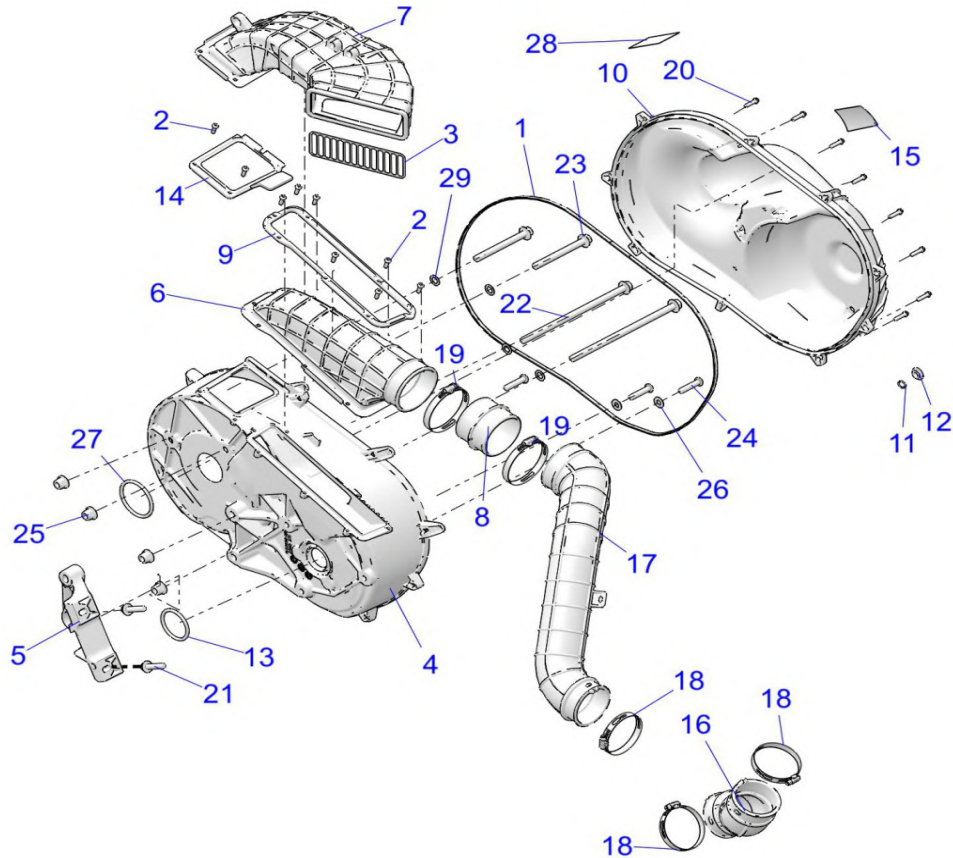
ASSEMBLIES : 2022 RGR RANGER XP 1000 EPS EU/TR/ZUG (R02) - R22RRS99C9/CK/CM/F9/FM/EF9/EFM/PCG/E99FM/E99PM



POS	SAP	Part Name	Qty
1	1048394	K-WELD-MAIN,FRAME EU/IS, BLK [INCL DECAL][EF9][EFM]	
1	1048395	WELD-MAIN,FRAME,EU,BLK [SC9][SCK][SCM][SF9][SFM]	
1	1048396	WELD-MAIN FRAME, ABS, BLK [PCG]	1
2	1039238	PLATE-SKID, BLK	1
3	1039683	SCR-M6X1.0X20, HXHD, FLG, TDFM, BK	13
4	1039802	WASHER, PLATE, SKID	13
5	1047353	WELD-CROSSBAR,EU, M.BLK	1
6	1040241	SCR-HXFL-M8X1.25X55 8.8 ZB	4
7	1048397	WELD-SEAT BASE,MAIN,ECOAT	1
8	1046753	WELD-SEAT SPRT, MNT, PASS, M. BLK	1
9	1039539	GROMMET, SEAT, BASE	1
10	1039688	SCR-TFHFL-M8X1.25X20 CHS ZOD	6
11	1014459	SCR-TXTH-M6X1.0X25 ZFB	1
12	1014509	NUT-M6-1.0, U-TYPE (2.5-3.8)	1

DRIVE TRAIN, CLUTCH COVER And DUCTING

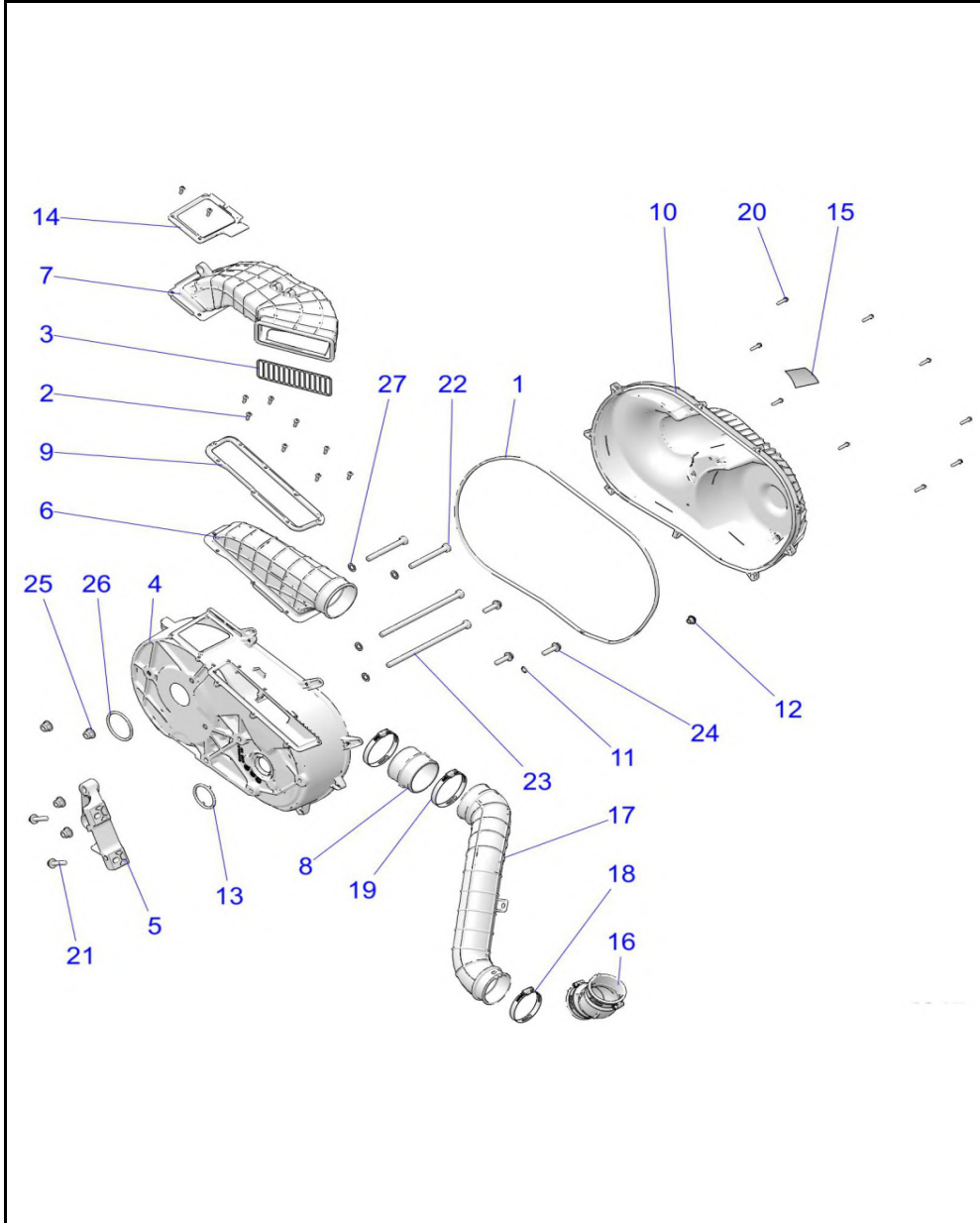
ASSEMBLIES : 2022 RGR RANGER XP 1000 EPS EU/TR/ZUG (R02) - R22RRS99C9/CK/CM/F9/FM/EF9/EFM/PCG/E99FM/E99PM



POS	SAP	Part Name	Qty
1	1048398	SEAL-OUTER CLUTCH COVER	1
2	1046755	BOLT-M6X1.0X20,PH/TX-OLIVE D	9
3	1046756	BRKT-SCREEN,BELT	1
4	1048399	COVER-CLUTCH,INNER,MACH [INCL. 5-9]	1
5	1048400	BRKT-TRANSJOINT,MAG,MACH	1
6	1046759	DUCT-CLUTCH,INLET	1
7	1046760	DUCT-CLUTCH,OUTLET	1
8	1046761	BOOT-HOSE ADAPTER	1
9	1046762	PLATE-INLET CLUTCH DUCT SEAL	1
10	1046763	K-CVR, CLUTCH, OTR, RGR XP, INTL [INCL. DECAL]	1
11	1046764	O-RING-0.489X0.629X0.070,EPDM	1
12	1046765	PLUG-DRAIN,9/16-18,PP	1
13	1048401	O-RING-2.25X2.625X.21,NBR,BARB	1
14	1046767	MOUNT-OUTLET DUCT	1
15	1039641	DECAL-BELT,WARNING/CHECK	1
16	1046920	HOSE-JOINT	1
17	1046769	HOSE-CLUTCH INLET TO TUNNEL	1
18	1046925	CLAMP-HOSE SLOTTED,75-90 DIA	3
19	1040260	CLAMP, HOSE SLOTTED, 89-100 DIA	2
20	1046771	SCR-HXFLG,M6X1.0X25,10.9	9
21	1046772	SCR-HXFL-M10X1.5X1.5 8.8 ZY3	2
22	1046776	SCR-TXBH-M12X1.75X110 8.8 SPC	2
23	1046774	SCR-TXBH-M12X1.75X245 8.8 SPC	2
24	1046777	SCR-TXBH-M10X1.5X45 8.8ZOD P30	3
25	1040256	NUT-HXFL M12X1.75 8 ZOD NYL	4
26	1046778	WASHER-10.5X22.0X1.6 SPC	3
27	1046779	O-RING-0.489X0.629X0.070,EPDM	1
28	1039644	DECAL, WARNING, CLUTCH COVER, EU	1
29	1014517	WASHER-.510X.840X.031 Y	4

DRIVE TRAIN, CLUTCH COVER And DUCTING

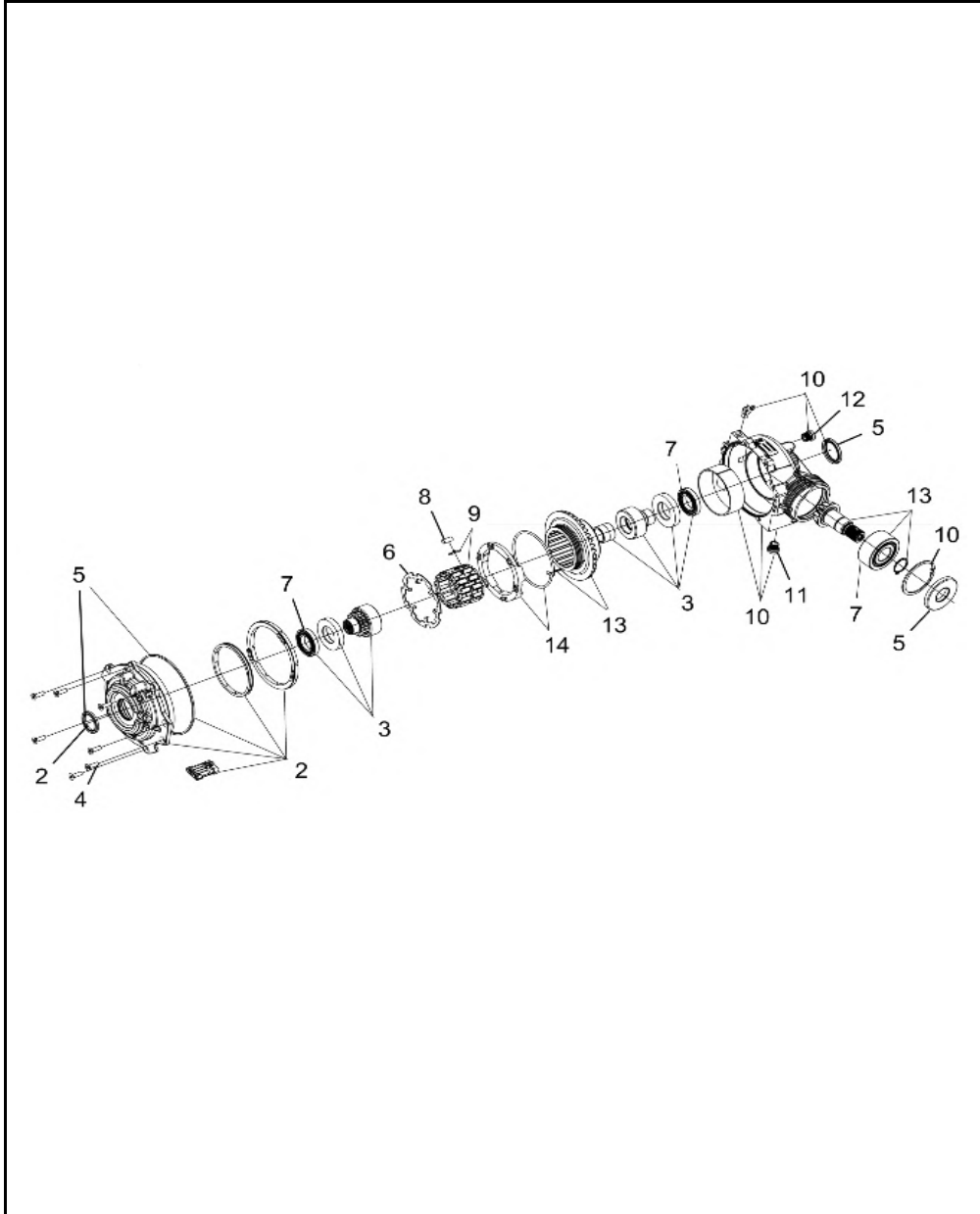
ASSEMBLIES : 2022 RGR RANGER XP 1000 EPS EU/TR/ZUG (R02) - R22RRS99C9/CK/CM/F9/FM/EF9/EFM/PCG/E99FM/E99PM



POS	SAP	Part Name	Qty
1	1048398	SEAL-OUTER CLUTCH COVER	1
2	1046755	BOLT-M6X1.0X20,PH/TX-OLIVE D	10
3	1046756	BRKT-SCREEN,BELT	1
4	1048399	COVER-CLUTCH,INNER,MACH [INCL. 5-9]	1
5	1048400	BRKT-TRANSJOINT,MAG,MACH	1
6	1046759	DUCT-CLUTCH,INLET	1
7	1046760	DUCT-CLUTCH,OUTLET	1
8	1046761	BOOT-HOSE ADAPTER	1
9	1048405	PLATE-INLET CLUTCH DUCT SEAL	1
10	1046763	K-CVR, CLUTCH, OTR, RGR XP, INTL [INCL. 11,12,15, & DECAL]	1
11	1046764	O-RING-0.489X0.629X0.070,EPDM	1
12	1046765	PLUG-DRAIN,9/16-18,PP	1
13	1048401	O-RING-2.25X2.625X.21,NBR,BARB	1
14	1046767	MOUNT-OUTLET DUCT	1
15	1039641	DECAL-BELT,WARNING/CHECK	1
16	1046920	HOSE-JOINT	1
17	1046769	HOSE-CLUTCH INLET TO TUNNEL	1
18	1046925	CLAMP-HOSE SLOTTED,75-90 DIA	3
19	1040260	CLAMP, HOSE SLOTTED, 89-100 DIA	2
20	1046771	SCR-HXFLG,M6X1.0X25,10.9	9
21	1046772	SCR-HXFL-M10X1.5X1.5 8.8 ZY3	2
22	1046776	SCR-TXBH-M12X1.75X110 8.8 SPC	2
23	1046774	SCR-TXBH-M12X1.75X245 8.8 SPC	2
24	1047952	SCR-HHSEMS-M10X1.5X40 10.9 SPC	3
25	1040256	NUT-HXFL M12X1.75 8 ZOD NYL	4
26	1046779	O-RING-0.489X0.629X0.070,EPDM	1
27	1014517	WASHER-.510X.840X.031 Y	4

DRIVE TRAIN, FRONT GEARCASE

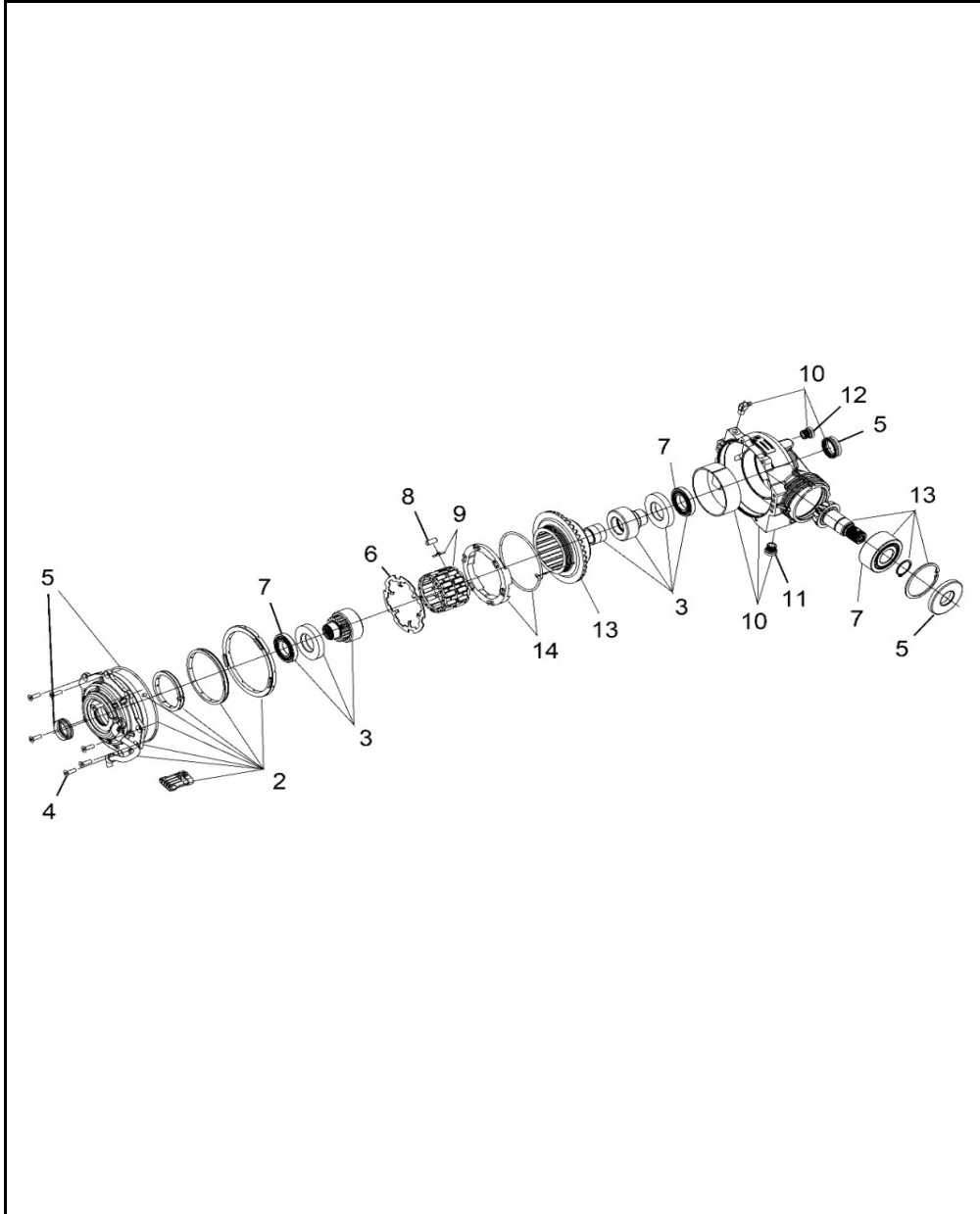
ASSEMBLIES : 2022 RGR RANGER XP 1000 EPS EU/TR/ZUG (R02) - R22RRS99C9/CK/CM/F9/FM/EF9/EFM/PCG/E99FM/E99PM



POS	SAP	Part Name	Qty
1	1046780	ASM-GEARCASE,FRONT,ABS,EMEA	1
2	1046781	ASM-COVER OUTPUT	1
3	1040269	ASSY, OUTPUT HUB - MALE AND FEMALE	1
4	1040270	COVER FASTENERS	1
5	1040274	COMPLETE SEAL REPAIR	1
6	1039476	PLATE, ARMATURE, 4WD	1
7	1035074	BEARING-PINION,5306	1
8	1045886	KIT, CLUTCH, ROLLERS [INCL. FULL ROLLER SET OF 24]	1
9	1045885	ASSY, ROLL CAGE, ZINC CAGE AND CLIPS [INCL. ROLL CAGE AND 24 H-CLIPS]	1
10	1046782	ASM., GEARCASE	1
11	1005147	KIT, PLUG, DRAIN	1
12	1005148	KIT, PLUG, FILL	1
13	1046791	KIT-GEAR HOUSING & PINION GEAR ASSSY	1
14	1045883	KIT, TORSION SPRING AND RETAINER	1

DRIVE TRAIN, FRONT GEARCASE

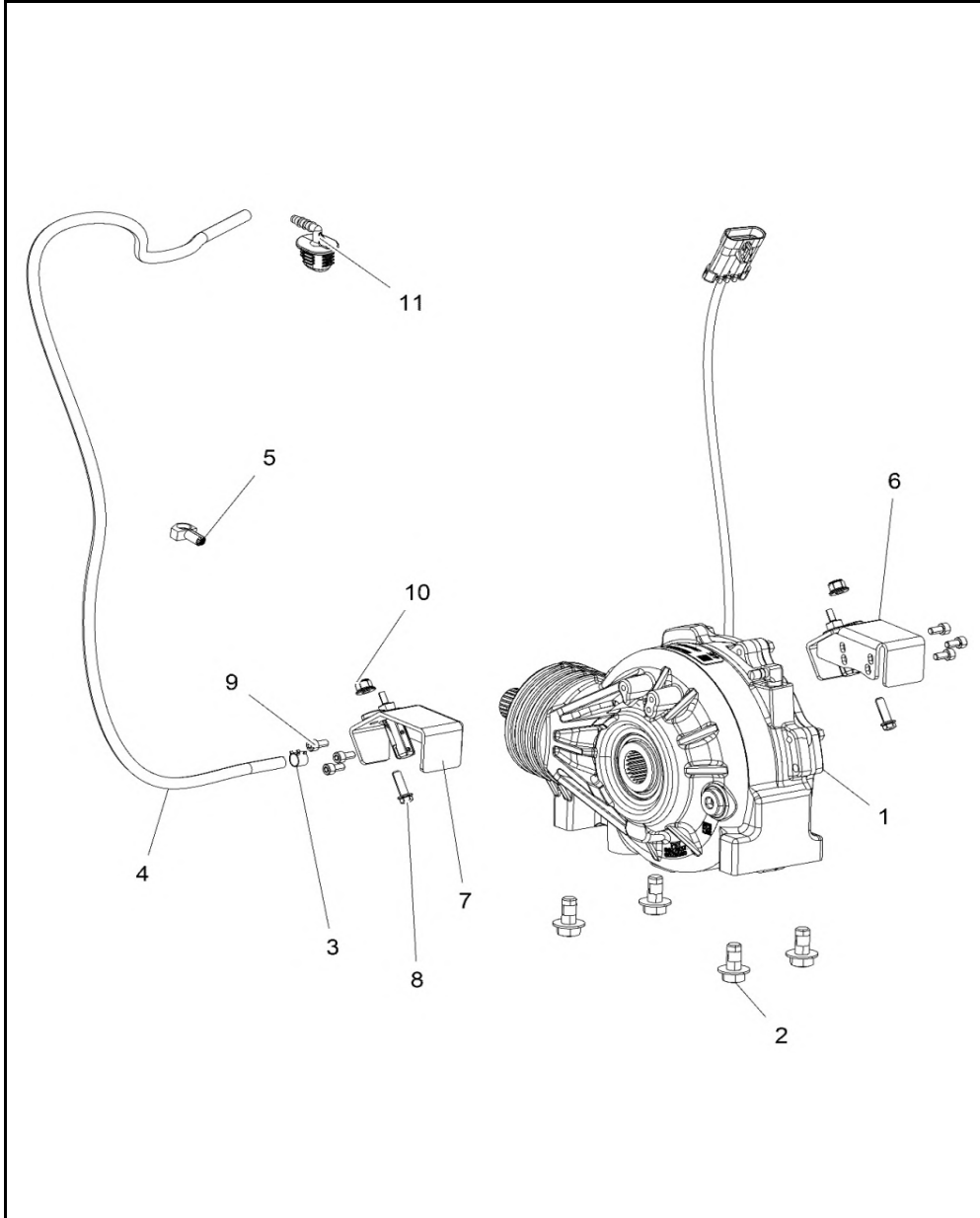
ASSEMBLIES : 2022 RGR RANGER XP 1000 EPS EU/TR/ZUG (R02) - R22RRS99C9/CK/CM/F9/FM/EF9/EFM/PCG/E99FM/E99PM



POS	SAP	Part Name	Qty
1	1048407	ASM-GRCASE,FRT,ISO,3.08,ZN,ADC [INCL. ALL]	1
2	1048408	ASM-COVER OUTPUT	1
3	1048409	ASM,OUTPUT HUB	1
4	1039461	KIT, COVER FASTENERS	1
5	1047391	KIT SEAL REPAIR	1
6	1039476	PLATE, ARMATURE, 4WD	1
7	1039481	Bearing, Pinion	1
8	1039462	KIT, CLUTCH, ROLLERS [INCL. FULL ROLLER SET OF 24]	1
9	1045885	ASSY, ROLL CAGE, ZINC CAGE AND CLIPS [INCL. ROLL CAGE AND 24 H-CLIPS]	1
10	1047392	ASM., GEARCASE	1
11	1005147	KIT, PLUG, DRAIN	1
12	1005148	KIT, PLUG, FILL	1
13	1048410	GEAR HOUSING & PINION GEAR ASSSY	1
14	1045883	KIT, TORSION SPRING AND RETAINER	1

DRIVE TRAIN, FRONT GEARCASE MOUNTING

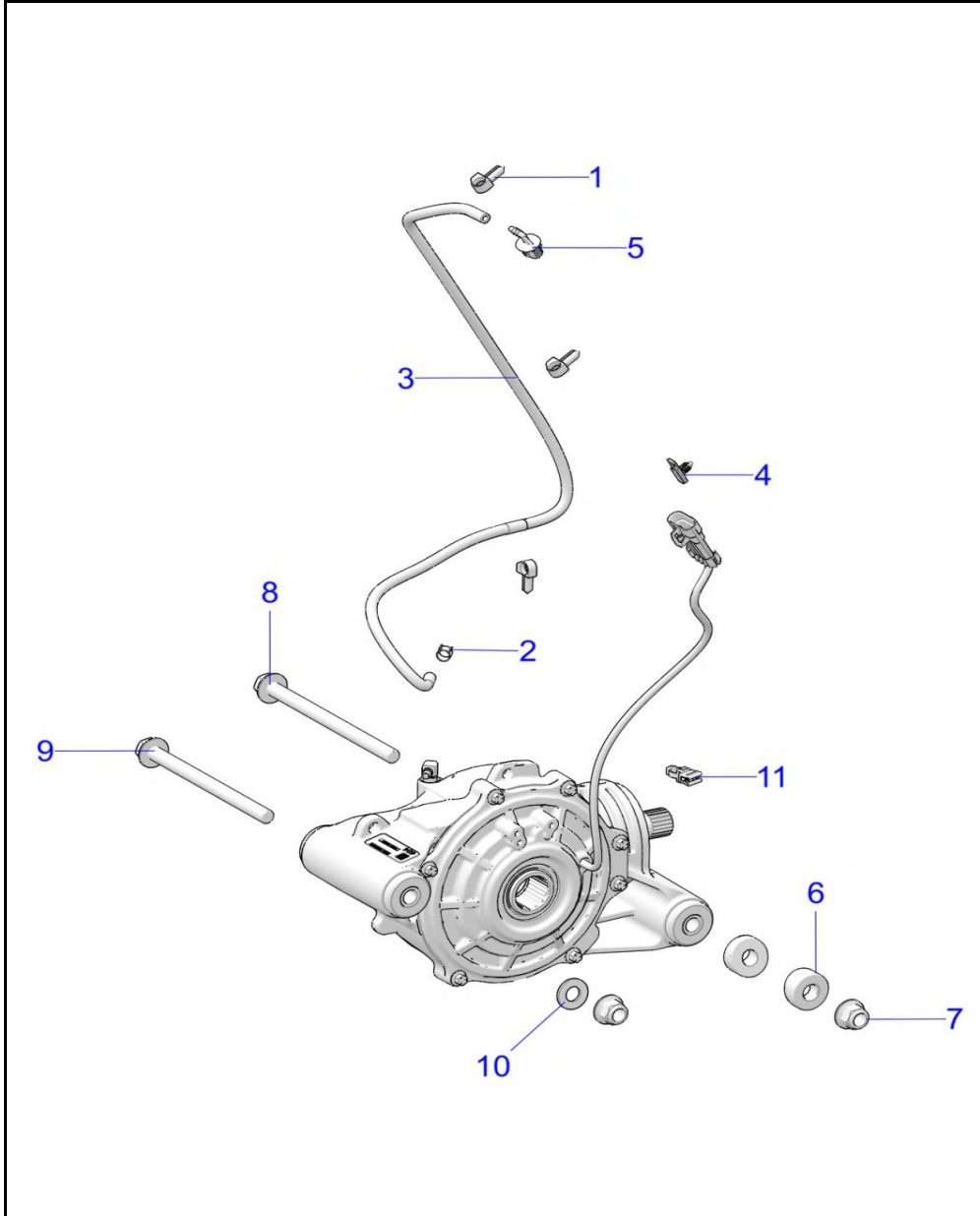
ASSEMBLIES : 2022 RGR RANGER XP 1000 EPS EU/TR/ZUG (R02) - R22RRS99C9/CK/CM/F9/FM/EF9/EFM/PCG/E99FM/E99PM



POS	SAP	Part Name	Qty
1	-----	NO DESCRIPTION	1
2	1039672	SCR-HXFL-M10X1.5X20 8.8 Z NYL	4
3	1039613	Clamp, Hose, Large, Green	1
4	1046793	LINE-BOOST,3/16 ID,76CM	1
5	1039816	CLIP-SILENCER BOX-C,98 INDY	4
6	1046794	BRKT-MOUNT,ABS,LH,FRT WSS,BLK	1
7	1046795	BRKT-MOUNT,ABS,RH,FRT WSS,BLK	1
8	1039698	SCREW-HXFL-M6X1.0X20 8.8 ZY3	2
9	1039665	SCREW-M5X0.8X10 SOC/CP-D	6
10	1039782	NUT, M6 FLANGE, NYLOC	2
11	1045149	FITTING-VENT LINE,90	1

DRIVE TRAIN, FRONT GEARCASE MOUNTING

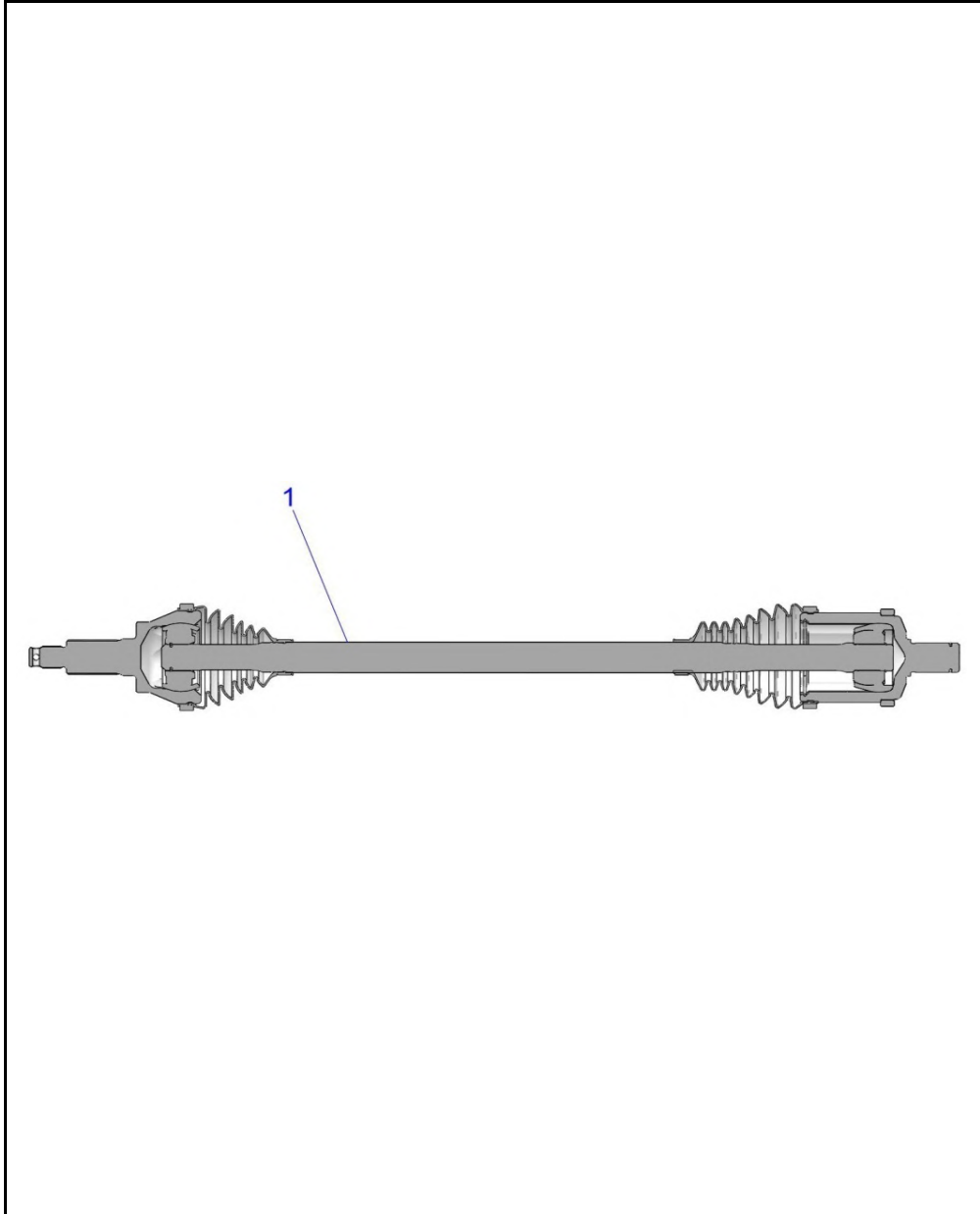
ASSEMBLIES : 2022 RGR RANGER XP 1000 EPS EU/TR/ZUG (R02) - R22RRS99C9/CK/CM/F9/FM/EF9/EFM/PCG/E99FM/E99PM



POS	SAP	Part Name	Qty
1	1039816	CLIP-SILENCER BOX-C,98 INDY	3
2	1039613	Clamp, Hose, Large, Green	1
3	1046793	LINE-BOOST,3/16 ID,76CM	1
4	1046673	CLIP-CONNECTOR, 6.35 MM HOLE	1
5	1045149	FITTING-VENT LINE,90	1
6	1047395	ANCHOR-WEDGE LOCK	2
7	1014501	NUT-M12X1.5, FLG, NYLOC-OLIVE D	2
8	1014485	SCR-HXFL-M12X1.5X170 10.9 ZOD	1
9	1048411	SCR-HXFL-M12X1.5X160 10.9ZTBSP	1
10	1047397	WASHER-FLAT, .531X1.063X.095-Y	1
11	1047441	CLIP-EDGE,1-3MM THICKNESS	1

DRIVE TRAIN, FRONT HALF SHAFT

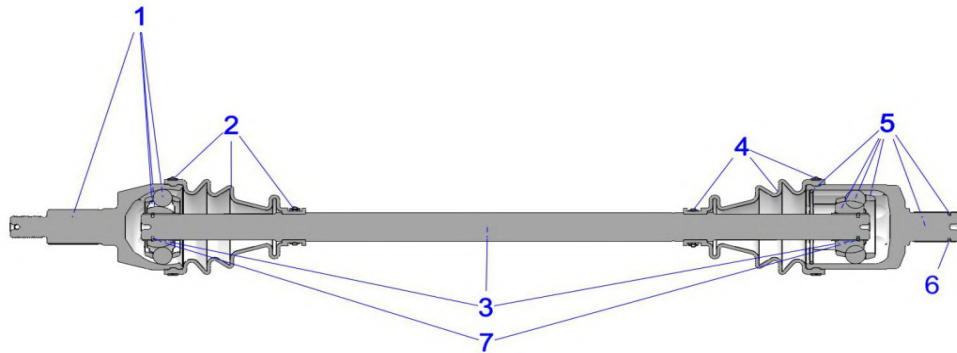
ASSEMBLIES : 2022 RGR RANGER XP 1000 EPS EU/TR/ZUG (R02) - R22RRS99C9/CK/CM/F9/FM/EF9/EFM/PCG/E99FM/E99PM



POS	SAP	Part Name	Qty
	1046796	ASM-HALFSHAFT, FRONT,LT	1
	-----	CV JOINT BOOT KIT [INCL. 2,4,6,7,9]	2
1	-----	CV JOINT	1

DRIVE TRAIN, FRONT HALF SHAFT

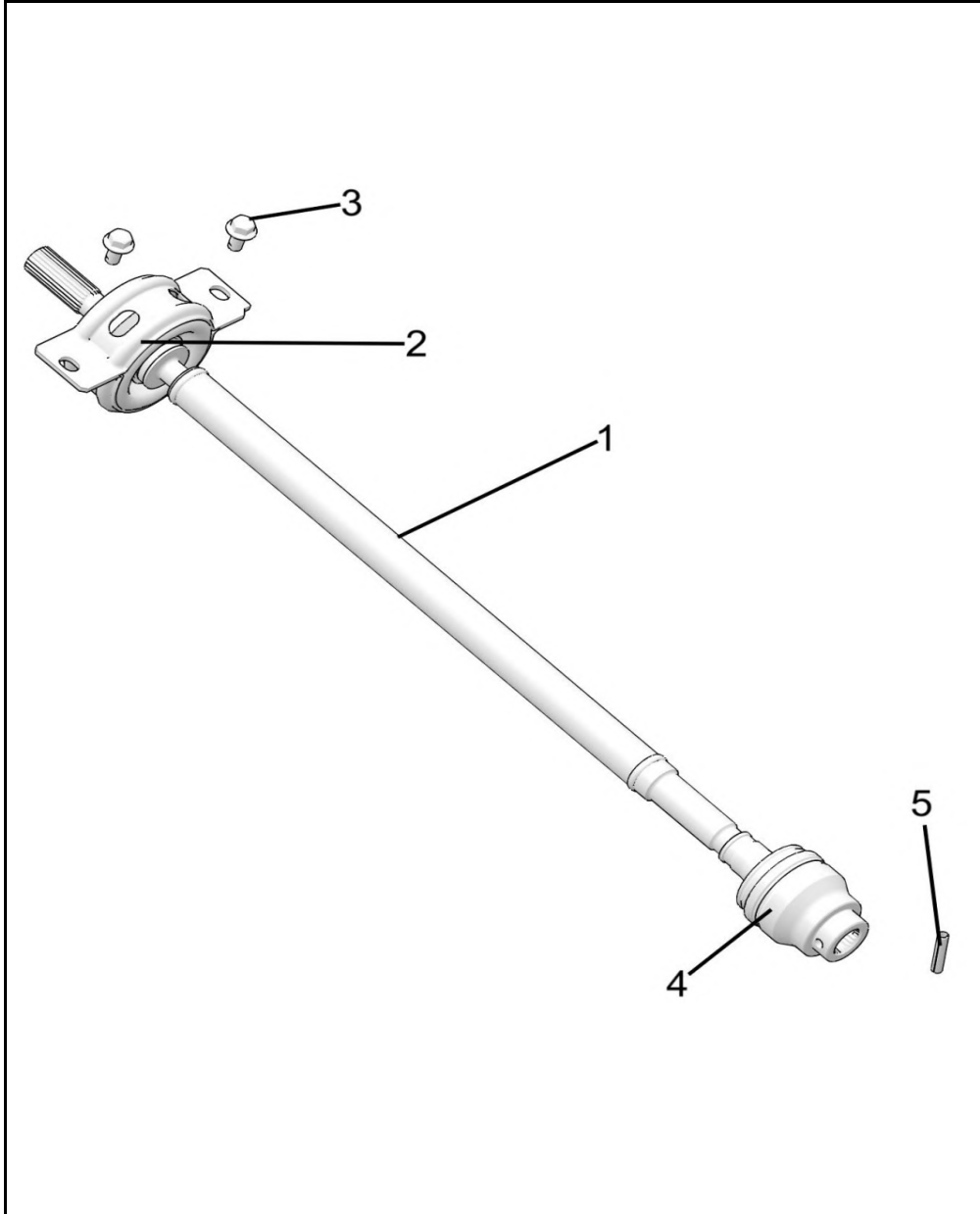
ASSEMBLIES : 2022 RGR RANGER XP 1000 EPS EU/TR/ZUG (R02) - R22RRS99C9/CK/CM/F9/FM/EF9/EFM/PCG/E99FM/E99PM



POS	SAP	Part Name	Qty
1	1047398	OUTER JOINT	1
2	1047399	OUTER BOOT KIT [INCL. GREASE]	1
3	1047400	BAR	1
4	1047401	BOOT, KIT- INNER	1
5	1047402	INNER JOINT [INCL. GREASE]	1
6	1047403	SNAP RING	1
7	1047404	CIRCLIP	1

DRIVE TRAIN, FRONT PROP SHAFT

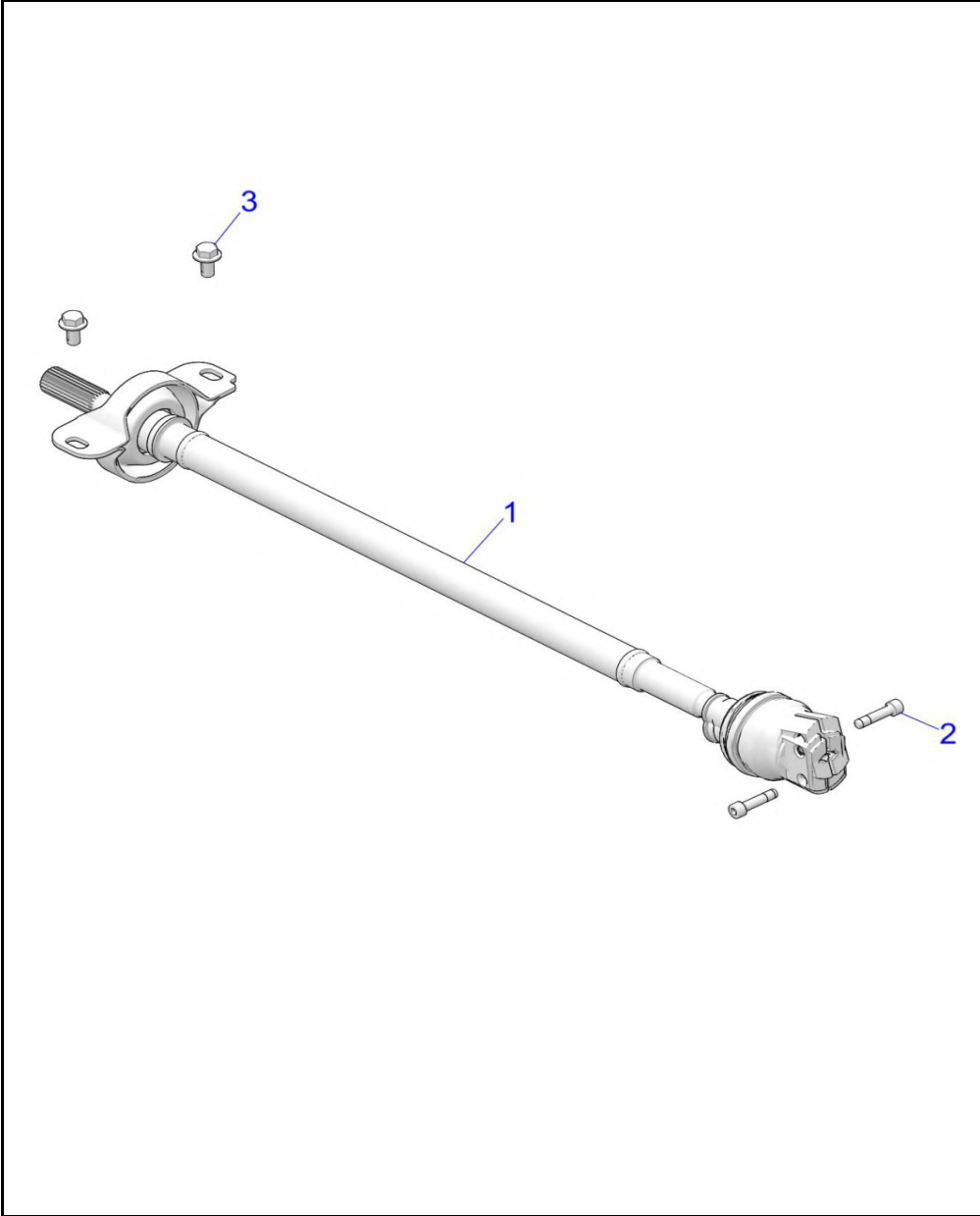
ASSEMBLIES : 2022 RGR RANGER XP 1000 EPS EU/TR/ZUG (R02) - R22RRS99C9/CK/CM/F9/FM/EF9/EFM/PCG/E99FM/E99PM



POS	SAP	Part Name	Qty
1	1048412	ASM., PROPSHAFT, FRONT	1
2	-----	ASM., BEARING, FLEX	1
3	1039672	SCR-HXFL-M10X1.5X20 8.8 Z NYL	2
4	-----	SHAFT LOOP, I .00 BORE, BRNG STEP, 2. 930L	1
5	1039810	PIN-SPRING,5/16 X 1 5/8-Y	1

DRIVE TRAIN, FRONT PROP SHAFT

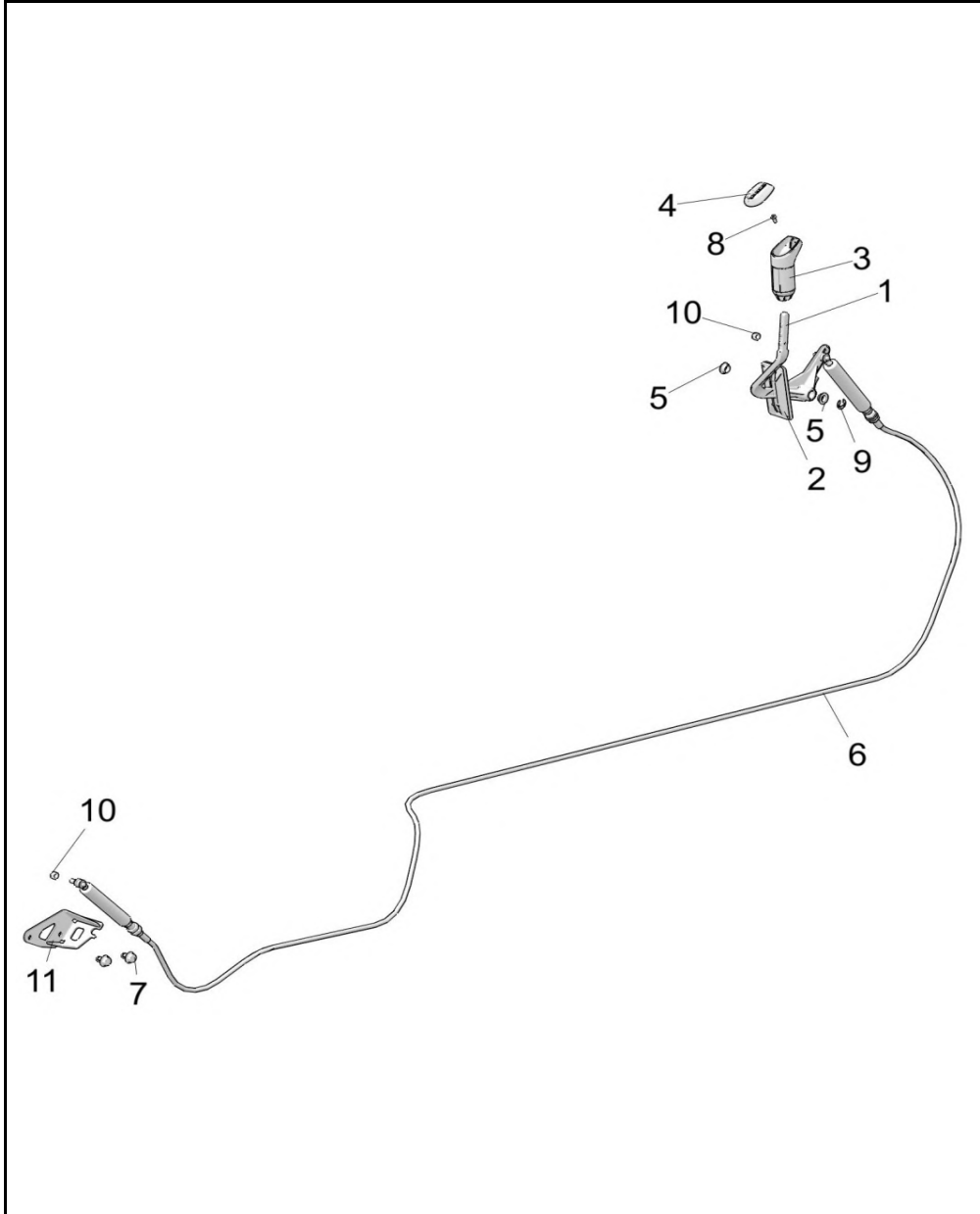
ASSEMBLIES : 2022 RGR RANGER XP 1000 EPS EU/TR/ZUG (R02) - R22RRS99C9/CK/CM/F9/FM/EF9/EFM/PCG/E99FM/E99PM



POS	SAP	Part Name	Qty
1	1048413	PROPSHAFT,FRONT,CV,RGR [INCL. 2,3]	1
2	1047406	SCREW-SH-M8X1.25X35 8.8 ZPC NYL	2
3	1039672	SCR-HXFL-M10X1.5X20 8.8 Z NYL	2

DRIVE TRAIN, GEAR SELECTOR

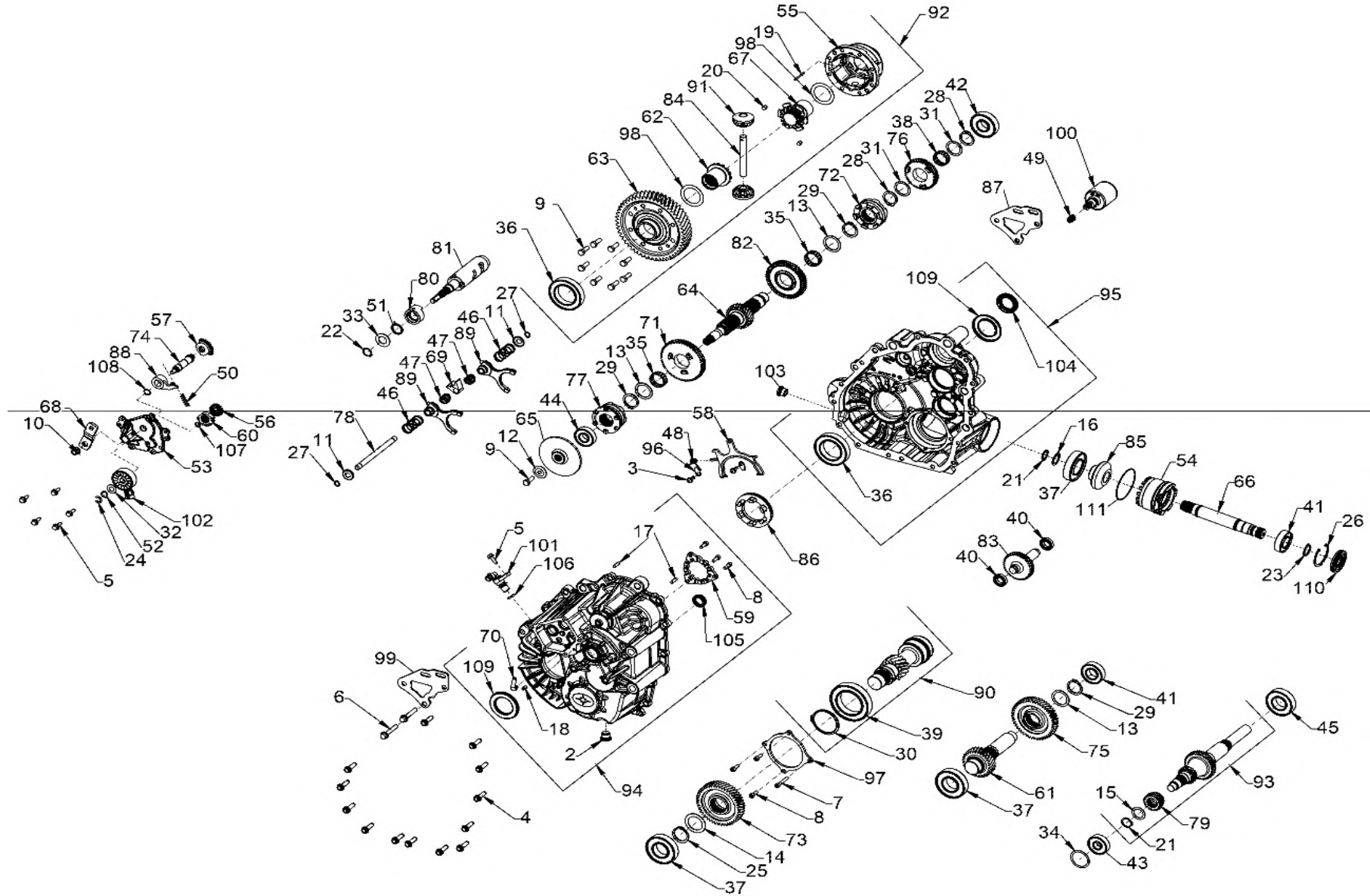
ASSEMBLIES : 2022 RGR RANGER XP 1000 EPS EU/TR/ZUG (R02) - R22RRS99C9/CK/CM/F9/FM/EF9/EFM/PCG/E99FM/E99PM



POS	SAP	Part Name	Qty
1	1039159	SHIFT-LEVER, CAST, M. BLK	1
2	1046800	GROMMET-SHIFTER	1
3	1039161	KNOB-SHIFTER,BLK	1
4	1039160	COVER-SHIFTER KNOB, BLK	1
5	1039567	BUSHING, PEDAL, PIVOT	2
6	1014086	CABLE-SHIFTER	1
7	1039688	SCR-TFHFL-M8X1.25X20 CHS ZOD	2
8	1039654	SCR-#10-24X1/2PH/TORX-TRIRD-Y	1
9	1039821	RING-RETAINING, "E", EXT., .500	2
10	1039779	NUT,NYLOCK M8X1.25(10)	2
11	-----	BRKT-SHIFT CABLE	1

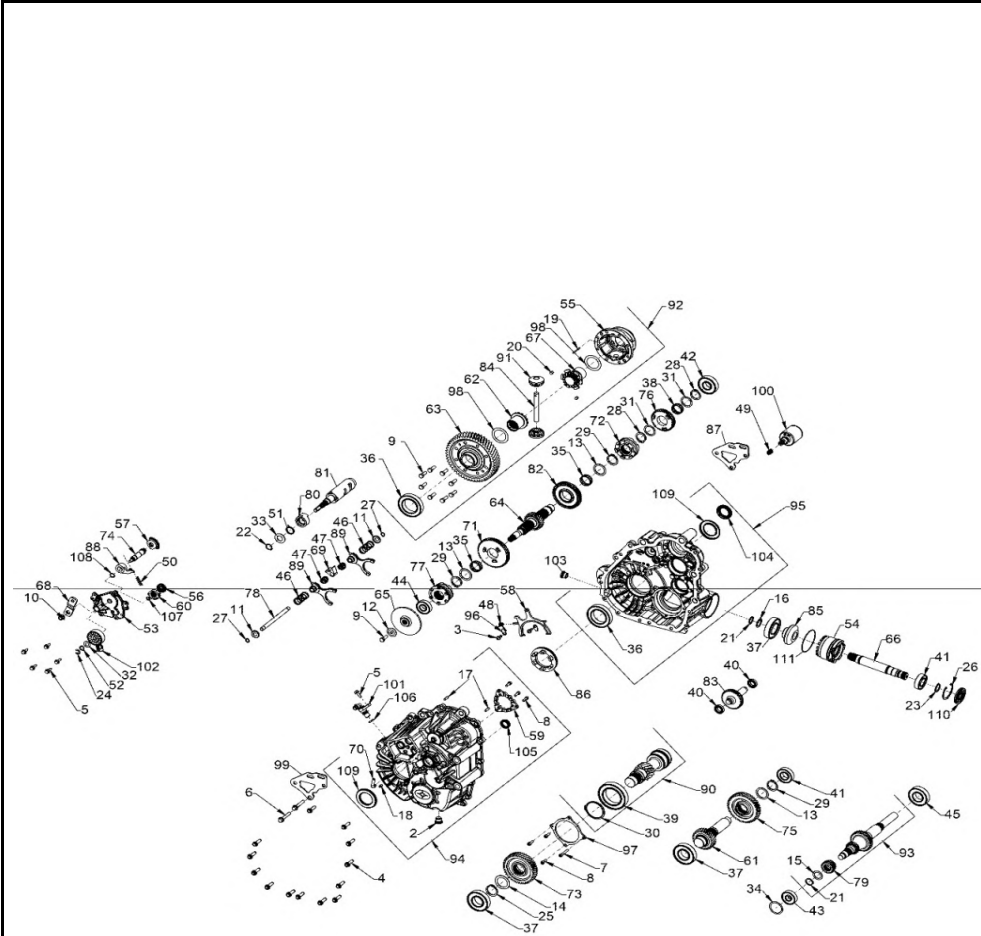
DRIVE TRAIN, MAIN GEARCASE INTERNALS

ASSEMBLIES : 2022 RGR RANGER XP 1000 EPS EU/TR/ZUG (R02) - R22RRS99C9/CK/CM/F9/FM/EF9/EFM/PCG/E99FM/E99PM



DRIVE TRAIN, MAIN GEARCASE INTERNALS

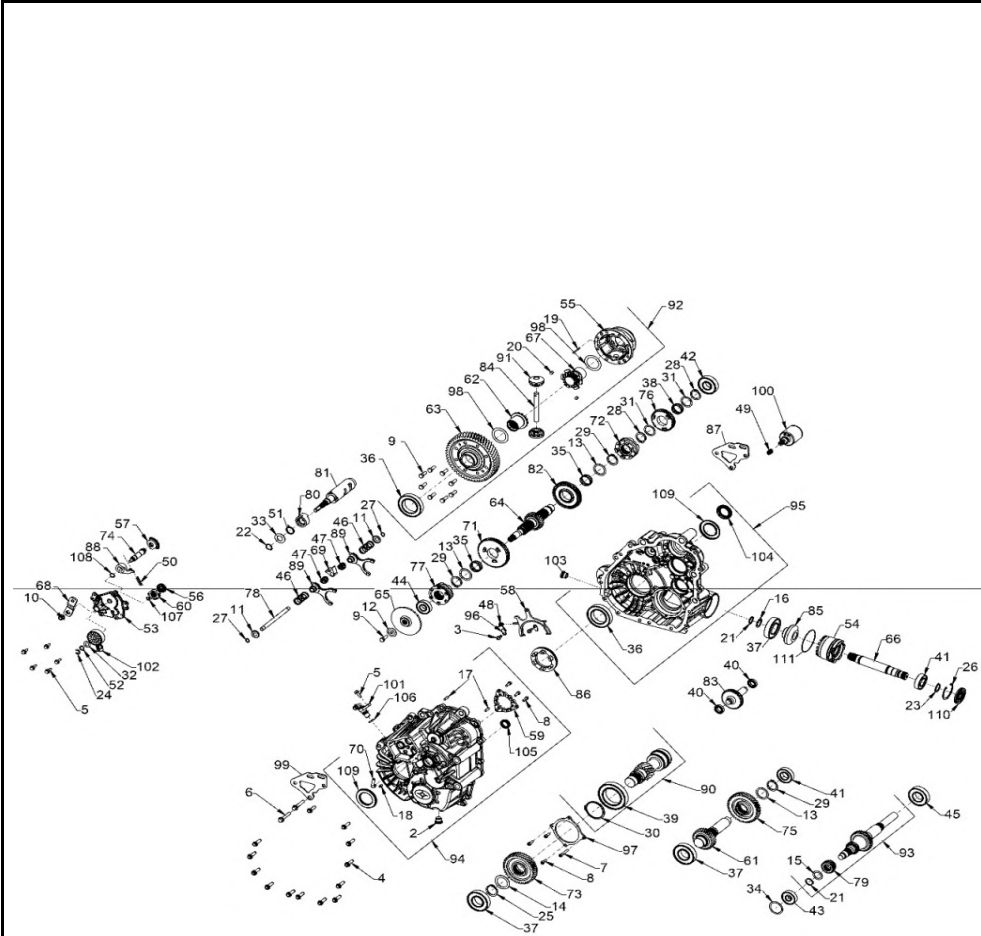
ASSEMBLIES : 2022 RGR RANGER XP 1000 EPS EU/TR/ZUG (R02) - R22RRS99C9/CK/CM/F9/FM/EF9/EFM/PCG/E99FM/E99PM



POS	SAP	Part Name	Qty
2	1007449	PLUG, SOCKET HEAD W/MAGNET	1
3	1040304	SCREW, 6-LOBE, PAN HD M6 X 1 X 16	2
4	1039441	SCREW, HEX FLANGE HEAD, M8 X 1.25 X 30	13
5	1039443	SCREW, HEX FLANGE HEAD, M6 X 1 X 20	6
6	1039444	SCREW, HEX FLANGE M8 X 50	2
7	1039445	SCREW, SOCKET HEAD, CAP, M6 X 1.0 X 40	1
8	1039458	SCREW, SOCKET HEAD, CAP, M6 X 1.0 X 18	6
9	1045656	SCREW, CAP HH M8 X 1.25 X 25	9
10	1039446	NUT, LOCK HEX FLANGE, NYLON M8 X 1.25	1
11	1039308	WASHER, CUP	2
12	1040307	WASHER, BELLEVILLE 42140 X 1.25 X 0.09	1
13	1039447	WASHER-32.3X42X1.5(115288)	3
14	1007454	WASHER-35.6X57X1.5(115289)	1
15	1046803	WASHER 22.70 X 32.0 X 1.5	1
16	1045163	WASHER, 22.5 X 30 X 1.5	1
17	1039438	PIN, DOWEL, 6 X 20	2
18	1039604	PIN, SPRING, SLOTTED 6 X 12	1
19	1045657	PIN, DOWEL 3 X 40	1
20	1045658	PIN, DOWEL 8 X 10	2
21	1045164	RING, RETAINING BASIC EXTERNAL	2
22	1039310	RING, RETAINING BASIC, EXTERNAL 0.75	1
23	1039421	RING, RETAINING BASIC, EXTERNAL 0.984	1
24	1039426	RING, RETAINING BASIC EXTERNAL	1
25	1007433	RING, RETAINING, SHAFT, DIA. 1.375	1
26	1039432	RING, RETAINING BASIC, INTERNAL 2.047	1
27	1039428	RING, RETAINING BASIC, EXTERNAL 0.428	2
28	1039430	RING, RETAINING,	2
29	1039451	RING, RETAINING BASIC, EXTERNAL MSR-32	3
30	1039311	RING-RETAIN,VSH-237(130298)	1
31	1039423	WASHER, THRUST, 1.187 X 1.500 X .0600	2

DRIVE TRAIN, MAIN GEARCASE INTERNALS

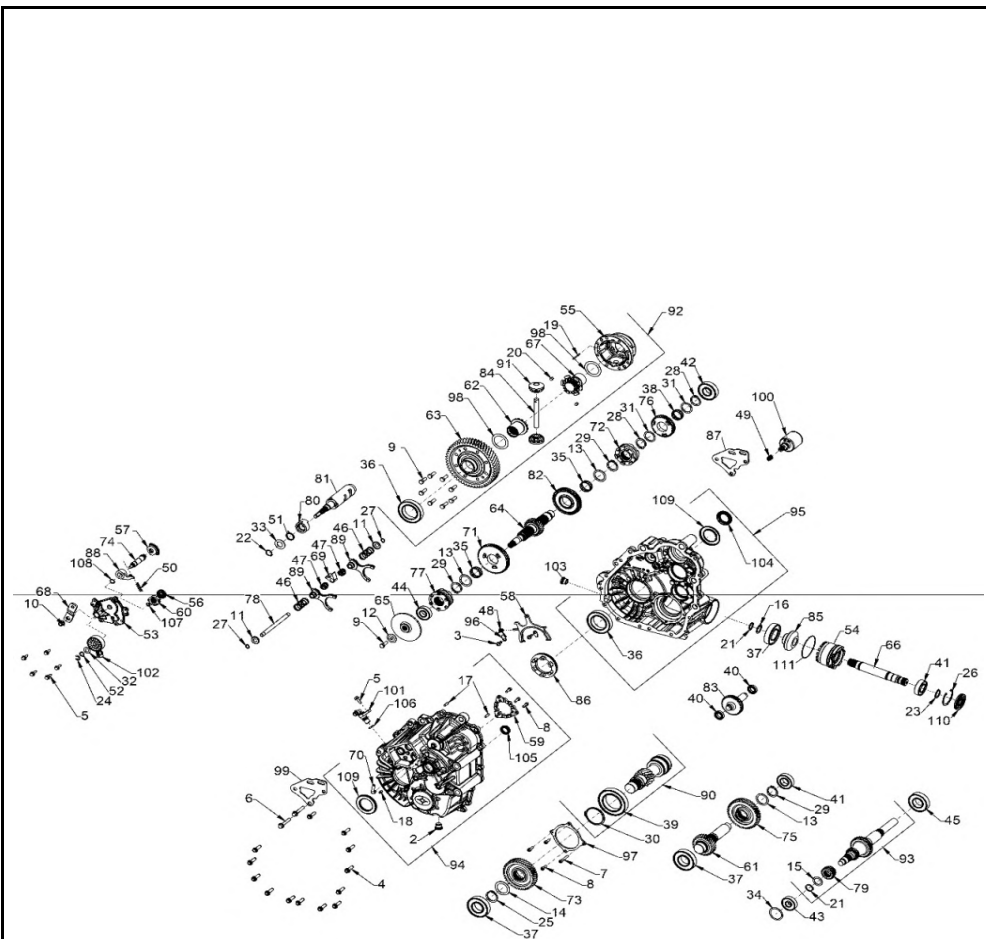
ASSEMBLIES : 2022 RGR RANGER XP 1000 EPS EU/TR/ZUG (R02) - R22RRS99C9/CK/CM/F9/FM/EF9/EFM/PCG/E99FM/E99PM



POS	SAP	Part Name	Qty
32	1039440	WASHER, THRUST, 0.446 X 0.88 X 0.025	1
33	1039312	SPACER, 19.4 X 34.0 X 2.0	1
34	1046804	SHIM 46.1 OD X 38 ID	1
35	1039419	BEARING, NEEDLE, CAGE ASSY	2
36	1039314	BEARING, BALL 6010 C3 50 X 80 X 10	2
37	1007437	BEARING, BALL 6207 C3 35MMX72MMX17MM	3
38	1039424	BEARING-NEEDLE,30X35X13-CAGED	1
39	1039309	BEARING, BALL, 6012 C3 60 X 95 X 18	1
40	1047906	BEARING, BALL 6903 17 X 30 X 7	2
41	1046805	BEARING, BALL, 6205R SH2 C3 25X52X15	2
42	1046806	BEARING, BALL 6305RSH2 C3 25MMX62MMX17MM	1
43	1046807	BEARING, BALL 6303RSH2 17 X 47 X 14	1
44	1046808	BEARING, BALL 6204RSH2 C3 20X47X14	1
45	1046809	BEARING, BALL 62/32	1
46	1039291	SPRING, COMPRESSION, .92 O.D. X 2.000	2
47	1039292	SPRING, COMPRESSION, 0.46 I.D. X 0.73	2
48	1040313	SPRING, TORSION, RETURN	1
49	1040314	SPRING, COMPRESSION 0.54 O.D. X 0.44 I.D. X 0.05 WIRE	1
50	1007444	SPRING, COMPRESSION 0.36 O.D. X 1.125	1
51	1039293	SPRING, TORSION	1
52	1039456	WASHER-SPRING,210393	1
53	1046811	COVER, SECTOR GEARS MACH	1
54	1046810	TUBE, SNORKEL MACH	1
55	1045659	CARRIER, DIFFERENTIAL MACH	1
56	1039294	GEAR, SECTOR, 16T	1
57	1039295	SWITCH, ROTARY, 6 PIN	1
58	1040315	FORK, PIVOT SHIFT, REAR DIFF	1
59	1039296	PLATE, PARK, 12 FACE	1
60	1039297	STAR, DETENT,	1
61	1007455	SHAFT-IDLER,29T(285803)	1

DRIVE TRAIN, MAIN GEARCASE INTERNALS

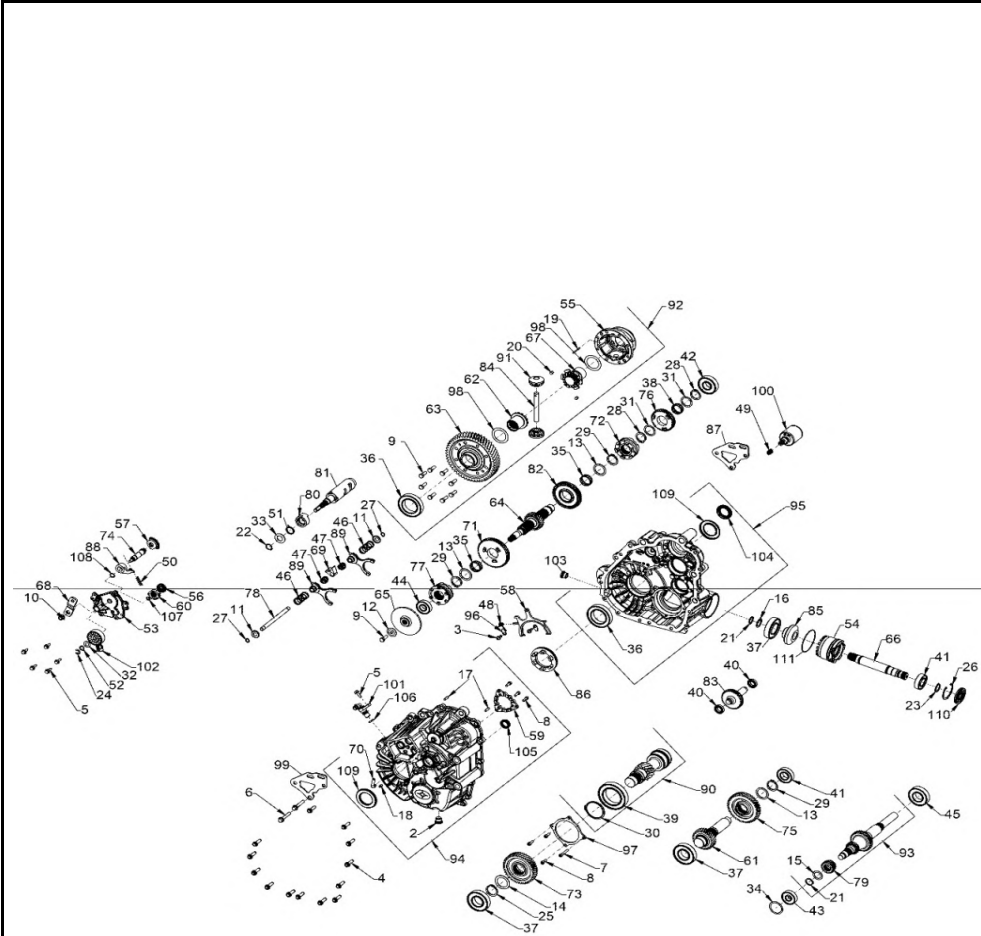
ASSEMBLIES : 2022 RGR RANGER XP 1000 EPS EU/TR/ZUG (R02) - R22RRS99C9/CK/CM/F9/FM/EF9/EFM/PCG/E99FM/E99PM



POS	SAP	Part Name	Qty
62	1045660	GEAR, 14T OUTPUT, MACH	1
63	1045661	GEAR, 53T OUTPUT	1
64	1046813	SHAFT, REVERSE 25T	1
65	1046814	DISC, BRAKE	1
66	1048414	SHAFT, FRONT OUTPUT	1
67	1045662	GEAR, 14T OUTPUT DISCONNECT, MACH	1
68	1046815	BELLCRANK, ZEUS INT'L	1
69	1039300	COLLAR, SHIFT,	1
70	1039431	TUBE, VENT 90 -1/4 INCH HOSE	1
71	1046816	GEAR-LOW,67T(352856)	1
72	1039301	ENGAGEMENT DOG,6-FACE(352857)	1
73	1007456	GEAR-46T,STAGE 3(352872)	1
74	1039455	WELDMENT, REAR MOUNT BRACKET	1
75	1046817	GEAR, 48T, STAGE 2	1
76	1046818	GEAR, 49T	1
77	1039303	SHIFT DOG, PARK/LOW (353357)	1
78	1039304	RAIL-SHIFT SHAFT(353622)	1
79	1046819	GEAR, LOW 25T	1
80	1039471	CAM, PARK	1
81	1039472	DRUM, SHIFT MACH,	1
82	1047914	GEAR, REVERSE 56T	1
83	1047915	GEAR, IDLER 39T	1
84	1045663	PIN, DIFFERENTIAL	1
85	1045166	GEAR, 13T SNORKEL	1
86	1045664	DOG, ENGAGEMENT	1
87	1048415	WELDMENT, REAR MOUNT BRACKET	1
88	1007457	SUBASSEMBLY, PAWL, DETENT, ROLLER	1
89	1039307	SUBASSEMBLY, SHIFT FORK	2
90	1046821	SUBASSEMBLY PINION 11T	1
91	1045665	SUBASSEMBLY, PINION GEAR	2

DRIVE TRAIN, MAIN GEARCASE INTERNALS

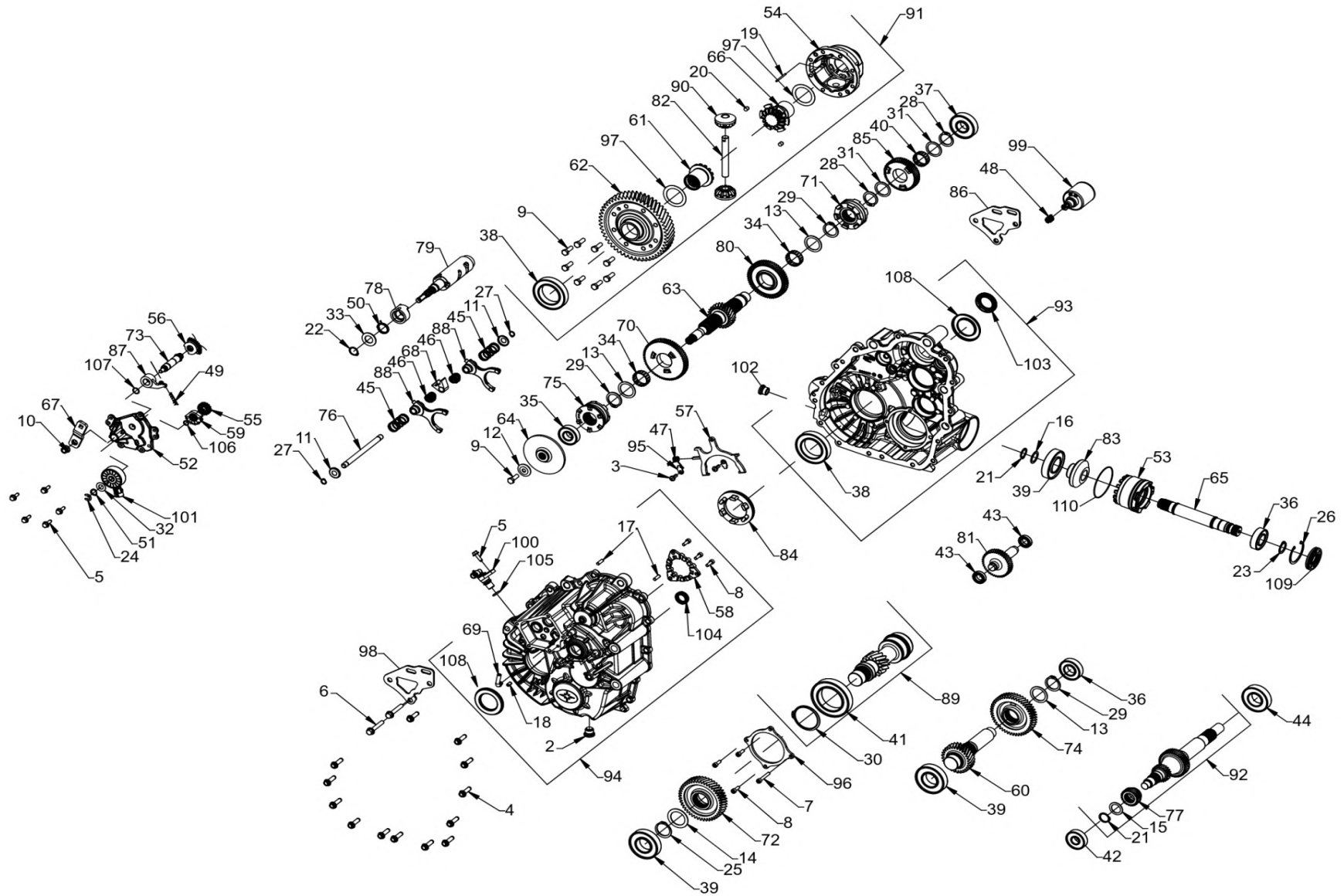
ASSEMBLIES : 2022 RGR RANGER XP 1000 EPS EU/TR/ZUG (R02) - R22RRS99C9/CK/CM/F9/FM/EF9/EFM/PCG/E99FM/E99PM



POS	SAP	Part Name	Qty
92	1045666	SUBASSEMBLY, DIFFERENTIAL	1
93	1048416	SUBASSEMBLY, INPUT 45T/22T/25T	1
94	1048417	SUBASSY, RH COVER INT'L	1
95	1048418	SUBASSY, LH CASE	1
96	1040332	CROEVTAEIRNER, FORK	2
97	1039317	COVER-BEARING,CNTR DR.	1
98	1045670	WASHER, THRUST, 40.83 X 56.25 X 0.38	2
99	1048419	BRACKET, REAR MOUNT	1
100	1007458	SOLENOID	1
101	1028617	Sensor, Speed, Trans.	1
102	1046826	SWITCH, ROTARY 2 PIN RESISTIVE	1
103	1034629	PLUG, SOCKET HEAD	1
104	1037871	SEAL, TRIPLE LIP 32 X 49 X 8 VITON	1
105	1046828	SEAL, TRIPLE LIP 20 X 30 X 7.5 VITON	1
106	1039436	O-RING	1
107	1039316	O-RING, -012 VITON	1
108	1039425	O-RING, -014 VITON	1
109	1007453	SEAL, TRIPLE LIP, VITON HELIX 40X70X7	2
110	1046829	SEAL, TRIPLE LIP 25 X 55 X 8	1
111	1046827	O-RING 2.989 I.D. X 0.07	1

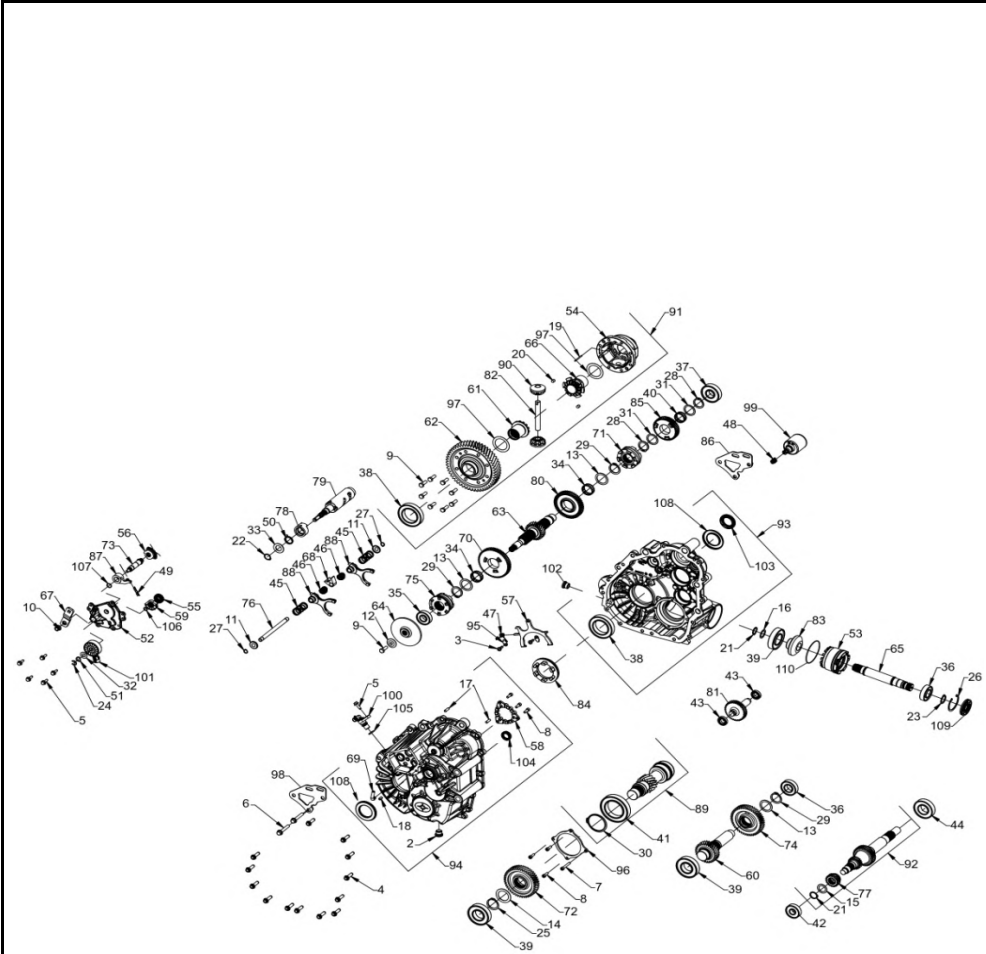
DRIVE TRAIN, MAIN GEARCASE INTERNALS

ASSEMBLIES : 2022 RGR RANGER XP 1000 EPS EU/TR/ZUG (R02) - R22RRS99C9/CK/CM/F9/FM/EF9/EFM/PCG/E99FM/E99PM



DRIVE TRAIN, MAIN GEARCASE INTERNALS

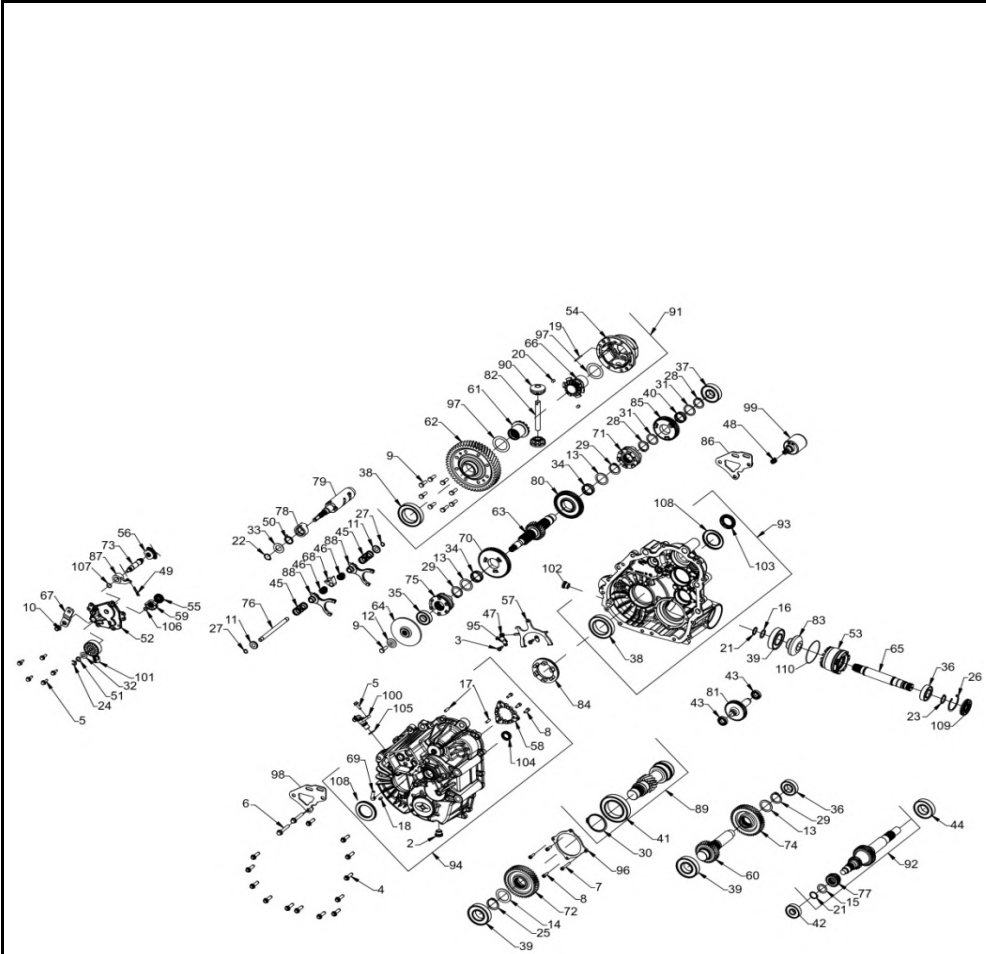
ASSEMBLIES : 2022 RGR RANGER XP 1000 EPS EU/TR/ZUG (R02) - R22RRS99C9/CK/CM/F9/FM/EF9/EFM/PCG/E99FM/E99PM



POS	SAP	Part Name	Qty
1	1048420	ASM-GEARCASE,REAR,PB,DIFF [INCL. ALL]	1
2	1007449	PLUG, SOCKET HEAD W/MAGNET	1
3	1040304	SCREW, 6-LOBE, PAN HD M6 X 1 X 16	2
4	1039441	SCREW, HEX FLANGE HEAD, M8 X 1.25 X 30	13
5	1039443	SCREW, HEX FLANGE HEAD, M6 X 1 X 20	6
6	1039444	SCREW, HEX FLANGE M8 X 50	2
7	1039445	SCREW, SOCKET HEAD, CAP, M6 X 1.0 X 40	1
8	1039458	SCREW, SOCKET HEAD, CAP, M6 X 1.0 X 18	6
9	1045656	SCREW, CAP HH M8 X 1.25 X 25	9
10	1039446	NUT, LOCK HEX FLANGE, NYLON M8 X 1.25	1
11	1039308	WASHER, CUP	2
12	1040307	WASHER, BELLEVILLE 42140 X 1.25 X 0.09	1
13	1039447	WASHER-32.3X42X1.5(115288)	3
14	1007454	WASHER-35.6X57X1.5(115289)	1
15	1046803	WASHER 22.70 X 32.0 X 1.5	1
16	1045163	WASHER, 22.5 X 30 X 1.5	1
17	1039438	PIN, DOWEL, 6 X 20	2
18	1039604	PIN, SPRING, SLOTTED 6 X 12	1
19	1045657	PIN, DOWEL 3 X 40	1
20	1045658	PIN, DOWEL 8 X 10	2
21	1045164	RING, RETAINING BASIC EXTERNAL	2
22	1039310	RING, RETAINING BASIC, EXTERNAL 0.75	1
23	1039421	RING, RETAINING BASIC, EXTERNAL 0.984	1
24	1039426	RING, RETAINING BASIC EXTERNAL	1
25	1007433	RING, RETAINING, SHAFT, DIA. 1.375	1
26	1039432	RING, RETAINING BASIC, INTERNAL 2.047	1
27	1039428	RING, RETAINING BASIC, EXTERNAL 0.428	2
28	1039430	RING, RETAINING,	2
29	1039451	RING, RETAINING BASIC, EXTERNAL MSR-32	3
30	1039311	RING-RETAIN,VSH-237(130298)	1

DRIVE TRAIN, MAIN GEARCASE INTERNALS

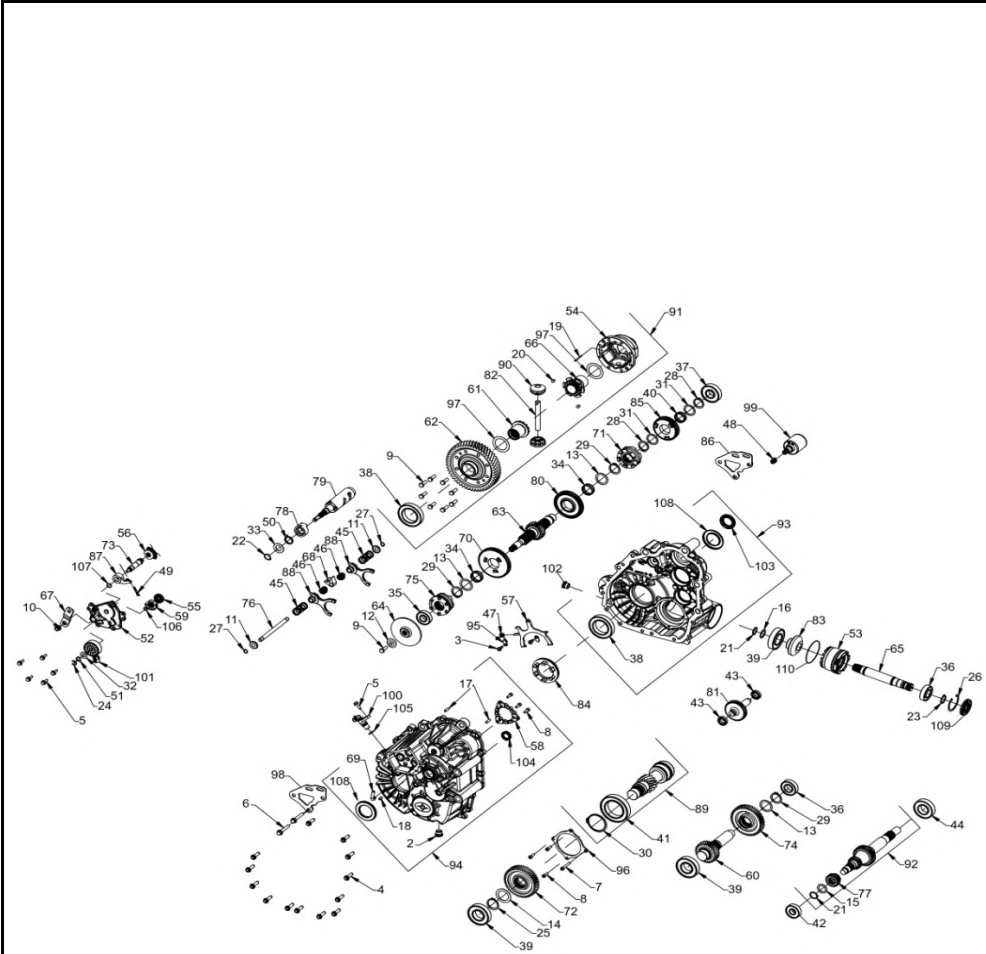
ASSEMBLIES : 2022 RGR RANGER XP 1000 EPS EU/TR/ZUG (R02) - R22RRS99C9/CK/CM/F9/FM/EF9/EFM/PCG/E99FM/E99PM



POS	SAP	Part Name	Qty
31	1039423	WASHER, THRUST, 1.187 X 1.500 X .0600	2
32	1039440	WASHER, THRUST, 0.446 X 0.88 X 0.025	1
33	1039312	SPACER, 19.4 X 34.0 X 2.0	1
34	1039419	BEARING, NEEDLE, CAGE ASSY	2
35	1048421	BEARING, BALL 6204 20 X 47 X 14	1
36	1007432	BEARING, BALL 6205 C3 25 X 52 X 15	2
37	1039313	BEARING, BALL, 6305 C3, 25 X 62 X 17	1
38	1039314	BEARING, BALL 6010 C3 50 X 80 X 10	2
39	1007437	BEARING, BALL 6207 C3 35MMX72MMX17MM	3
40	1039424	BEARING-NEEDLE,30X35X13-CAGED	1
41	1039309	BEARING, BALL, 6012 C3 60 X 95 X 18	1
42	1007445	BEARING, BALL 6303, 17 X 47 X 14	1
43	1047906	BEARING, BALL 6903 17 X 30 X 7	2
44	1046809	BEARING, BALL 62/32	1
45	1039291	SPRING, COMPRESSION, .92 O.D. X 2.000	2
46	1039292	SPRING, COMPRESSION, 0.46 I.D. X 0.73	2
47	1040313	SPRING, TORSION, RETURN	1
48	1040314	SPRING, COMPRESSION 0.54 O.D. X 0.44 I.D. X 0.05 WIRE	1
49	1007444	SPRING, COMPRESSION 0.36 O.D. X 1.125	1
50	1039293	SPRING, TORSION	1
51	1039456	WASHER-SPRING,210393	1
52	1046811	COVER, SECTOR GEARS MACH	1
53	1046810	TUBE, SNORKEL MACH	1
54	1045659	CARRIER, DIFFERENTIAL MACH	1
55	1039294	GEAR, SECTOR, 16T	1
56	1039295	SWITCH, ROTARY, 6 PIN	1
57	1040315	FORK, PIVOT SHIFT, REAR DIFF	1
58	1039296	PLATE, PARK, 12 FACE	1
59	1039297	STAR, DETENT,	1
60	1007455	SHAFT-IDLER,29T(285803)	1

DRIVE TRAIN, MAIN GEARCASE INTERNALS

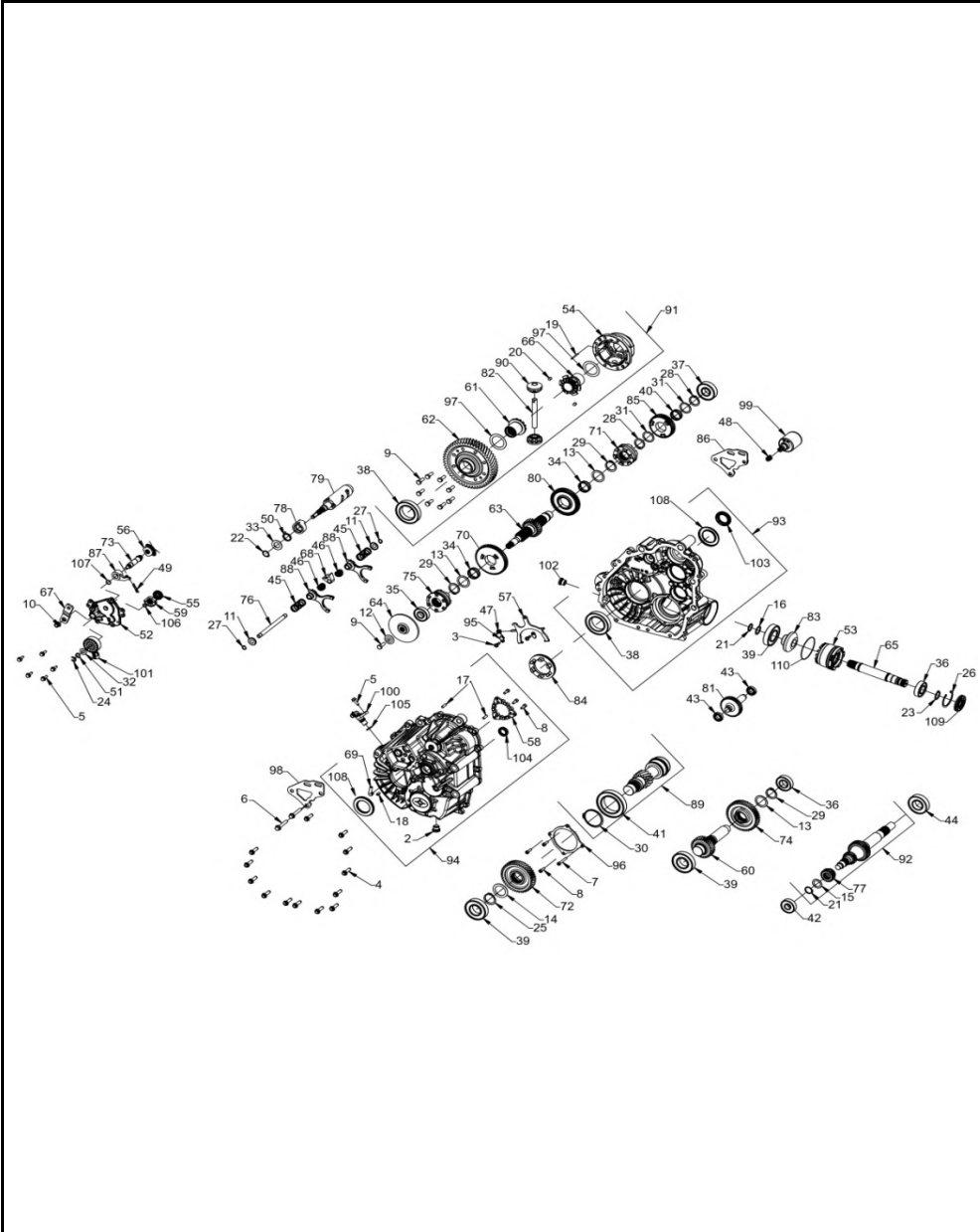
ASSEMBLIES : 2022 RGR RANGER XP 1000 EPS EU/TR/ZUG (R02) - R22RRS99C9/CK/CM/F9/FM/EF9/EFM/PCG/E99FM/E99PM



POS	SAP	Part Name	Qty
61	1045660	GEAR, 14T OUTPUT, MACH	1
62	1045661	GEAR, 53T OUTPUT	1
63	1046813	SHAFT, REVERSE 25T	1
64	1046814	DISC, BRAKE	1
65	1048414	SHAFT, FRONT OUTPUT	1
66	1045662	GEAR, 14T OUTPUT DISCONNECT, MACH	1
67	1046815	BELLCRANK, ZEUS INT'L	1
68	1039300	COLLAR, SHIFT,	1
69	1039431	TUBE, VENT 90 -1/4 INCH HOSE	1
70	1046816	GEAR-LOW,67T(352856)	1
71	1039301	ENGAGEMENT DOG,6-FACE(352857)	1
72	1007456	GEAR-46T,STAGE 3(352872)	1
73	1039455	WELDMENT, REAR MOUNT BRACKET	1
74	1046817	GEAR, 48T, STAGE 2	1
75	1039303	SHIFT DOG, PARK/LOW (353357)	1
76	1039304	RAIL-SHIFT SHAFT(353622)	1
77	1046819	GEAR, LOW 25T	1
78	1039471	CAM, PARK	1
79	1039472	DRUM, SHIFT MACH,	1
80	1047914	GEAR, REVERSE 56T	1
81	1047915	GEAR, IDLER 39T	1
82	1045663	PIN, DIFFERENTIAL	1
83	1045166	GEAR, 13T SNORKEL	1
84	1045664	DOG, ENGAGEMENT	1
85	1047916	GEAR, 52T	1
86	1048415	WELDMENT, REAR MOUNT BRACKET	1
87	1007457	SUBASSEMBLY, PAWL, DETENT, ROLLER	1
88	1039307	SUBASSEMBLY, SHIFT FORK	2
89	1046821	SUBASSEMBLY PINION 11T	1
90	1045665	SUBASSEMBLY, PINION GEAR	2

DRIVE TRAIN, MAIN GEARCASE INTERNALS

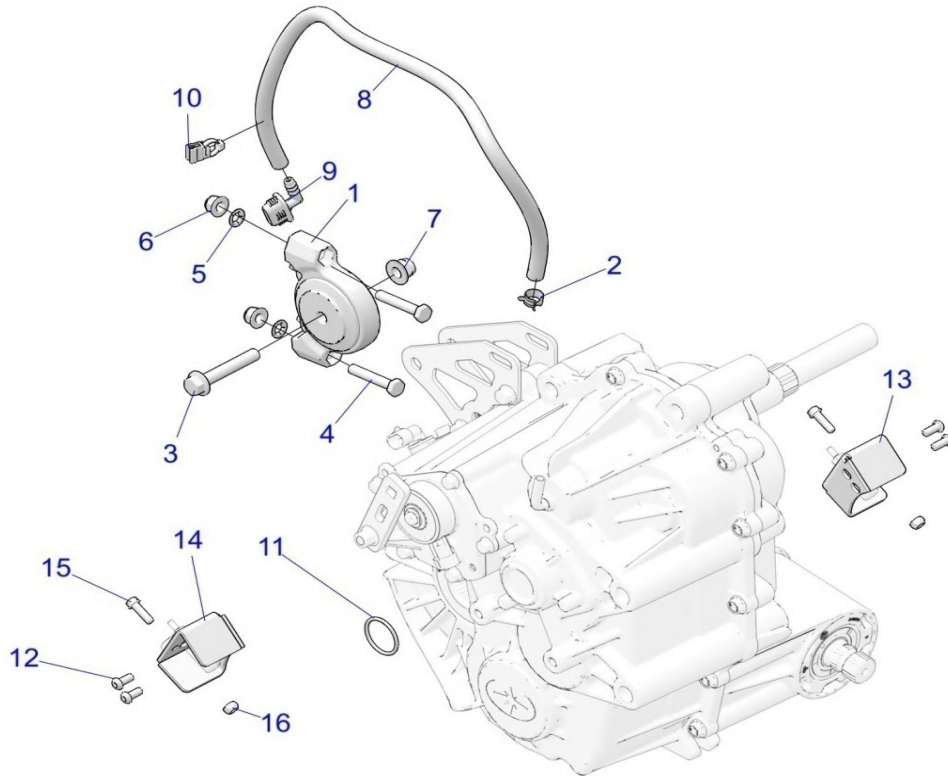
ASSEMBLIES : 2022 RGR RANGER XP 1000 EPS EU/TR/ZUG (R02) - R22RRS99C9/CK/CM/F9/FM/EF9/EFM/PCG/E99FM/E99PM



POS	SAP	Part Name	Qty
91	1045666	SUBASSEMBLY, DIFFERENTIAL	1
92	1048424	SUBASSEMBLY, INPUT 43T/22T/25T	1
93	1048418	SUBASSY, LH CASE	1
94	1048426	SUBASSEMBLY, RH CASE	1
95	1040332	CROEVTAIEIRNER, FORK	2
96	1039317	COVER-BEARING,CNTR DR.	1
97	1045670	WASHER, THRUST, 40.83 X 56.25 X 0.38	2
98	1048419	BRACKET, REAR MOUNT	1
99	1007458	SOLENOID	1
100	1028617	Sensor, Speed, Trans.	1
101	1046826	SWITCH, ROTARY 2 PIN RESISTIVE	1
102	1034629	PLUG, SOCKET HEAD	1
103	1037871	SEAL, TRIPLE LIP 32 X 49 X 8 VITON	1
104	1046828	SEAL, TRIPLE LIP 20 X 30 X 7.5 VITON	1
105	1039436	O-RING	1
106	1039316	O-RING, -012 VITON	1
107	1039425	O-RING, -014 VITON	1
108	1007453	SEAL, TRIPLE LIP, VITON HELIX 40X70X7	2
109	1046829	SEAL, TRIPLE LIP 25 X 55 X 8	1
110	1046827	O-RING 2.989 I.D. X 0.07	1

DRIVE TRAIN, MAIN GEARCASE MOUNTING

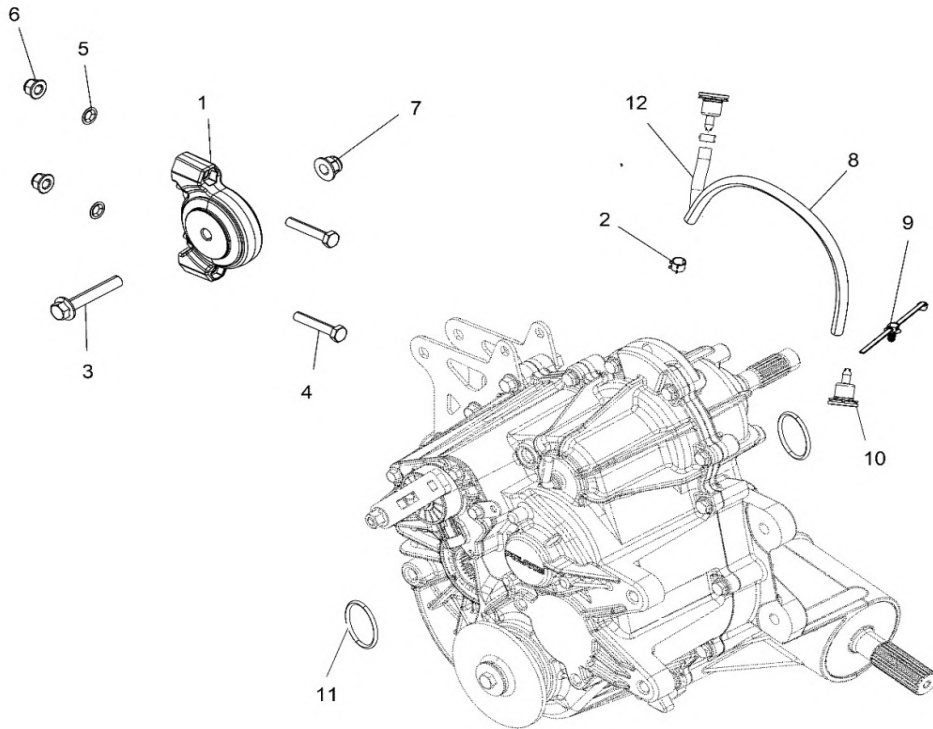
ASSEMBLIES : 2022 RGR RANGER XP 1000 EPS EU/TR/ZUG (R02) - R22RRS99C9/CK/CM/F9/FM/EF9/EFM/PCG/E99FM/E99PM



POS	SAP	Part Name	Qty
1	1039356	MOUNT, ISOLATOR, DRIVELINE	1
2	1039630	CLAMP-HOSE, (LARGE GREEN)	1
3	1039694	SCR-HXFL-M10X1.25X60 8.8 ZOD	1
4	1039723	SCREW-HH M8X1.25X45 8.8 ZOD	2
5	1039776	NUT-5/16-PAL-Y	2
6	1014499	NUT- M8X1.25, FLG, NYLOC-OLIVE D	2
7	1014500	NUT-M10X1.25, FLG, NYLOC-OLIVE D	1
8	1046831	FUEL LINE-46 CENTIMETERS	1
9	1039581	FITTING-VENT LINE,90	1
10	1039635	STRAP - CABLE TIE W/ EDGE CLIP	1
11	1045674	O-RING,28.24X2.62,VITON,60A	2
12	1048428	SCREW-HXBH-M6X1.0X14 10.9 ZPB	4
13	1046833	BRKT-MOUNT,ABS,LH,REAR WSS,BLK	1
14	1046834	BRKT-MOUNT,ABS,RH,REAR WSS,BLK	1
15	1039698	SCREW-HXFL-M6X1.0X20 8.8 ZY3	2
16	1039773	NUT-6MM X 1 NYLOK-Z	2

DRIVE TRAIN, MAIN GEARCASE MOUNTING

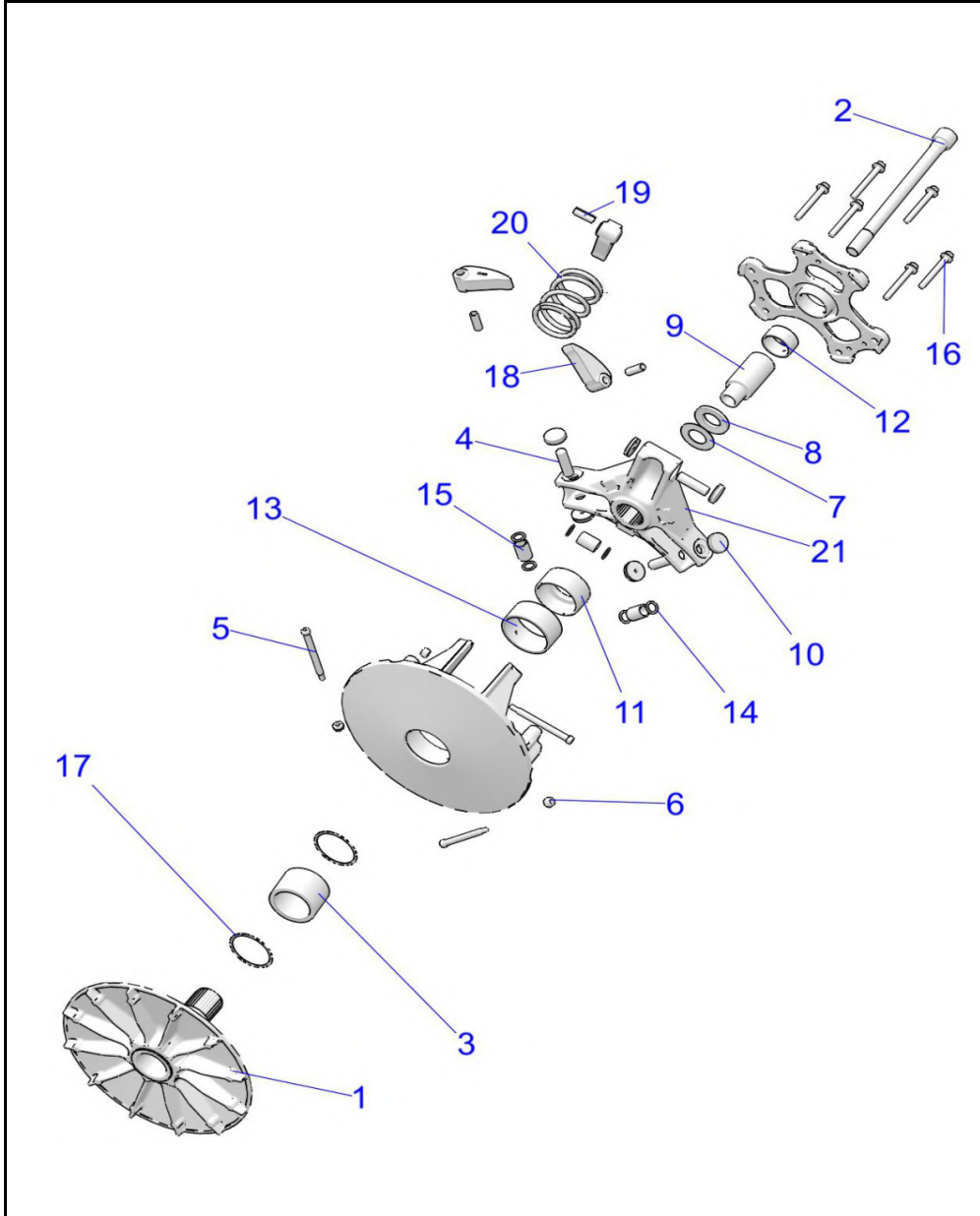
ASSEMBLIES : 2022 RGR RANGER XP 1000 EPS EU/TR/ZUG (R02) - R22RRS99C9/CK/CM/F9/FM/EF9/EFM/PCG/E99FM/E99PM



POS	SAP	Part Name	Qty
	-----	ASM., GEARCASE, COMPLETE	1
1	1039356	MOUNT, ISOLATOR, DRIVELINE	1
2	1039630	CLAMP-HOSE, (LARGE GREEN)	1
3	1039694	SCR-HXFL-M10X1.25X60 8.8 ZOD	1
4	1039723	SCREW-HH M8X1.25X45 8.8 ZOD	2
5	1039776	NUT-5/16-PAL-Y	2
6	1014499	NUT- M8X1.25, FLG, NYLOC-OLIVE D	2
7	1014500	NUT-M10X1.25, FLG, NYLOC-OLIVE D	1
8	1048429	FUEL LINE-43 CENTIMETERS	1
9	1047412	STRAP, CABLE TIE W/ EDGE CLIP 3-6MM	2
10	1047413	VENT-GEARCASE,8MM	1
11	1045674	O-RING,28.24X2.62,VITON,60A	2
12	-----	LINE-BOOST,3/16 ID,82CM	1

DRIVE TRAIN, PRIMARY CLUTCH

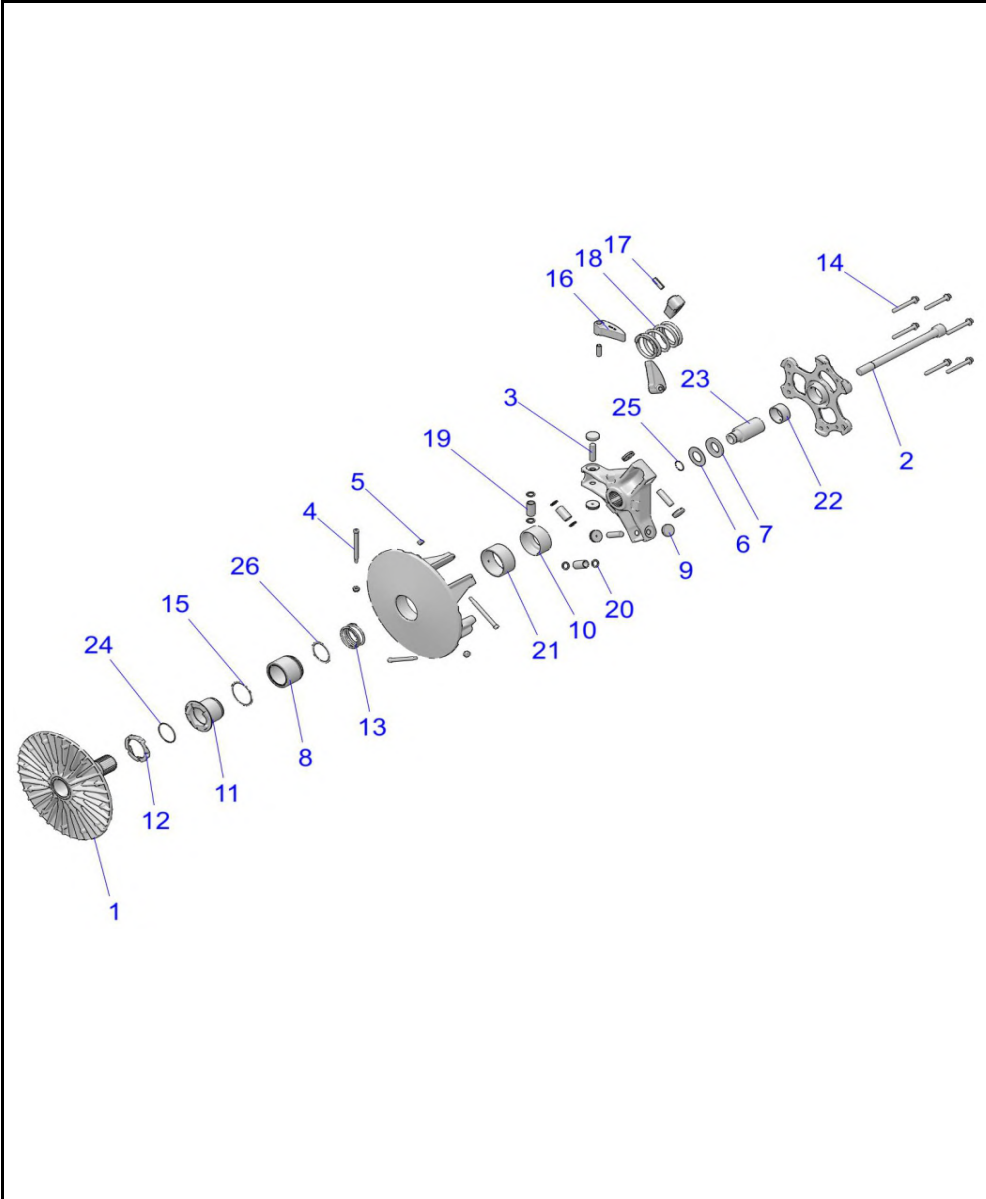
ASSEMBLIES : 2022 RGR RANGER XP 1000 EPS EU/TR/ZUG (R02) - R22RRS99C9/CK/CM/F9/FM/EF9/EFM/PCG/E99FM/E99PM



POS	SAP	Part Name	Qty
1	1046840	ASM-SHEAVE,STAT,P90X	1
2	1046841	SCR-SH-M14X1.5X180 10.9 SPC	1
3	1046842	BEARING-NEEDLE,40X50X35	1
4	1011262	PIN-SPIDER	3
5	1014491	BOLT-SHIFT WEIGHT,BUSHED	3
6	1014495	NUT-10-24-FLEX LOC-Z	3
7	1014535	WSHR-20.5X38.0X0.75 ZY3	1
8	1014536	WSHR-BELLE,21X37.5X3.8,SPC	1
9	1011261	POST-CLUTCH,OUTER	1
10	1048430	BUTTON-CLUTCH,WH. STRIPE,22MM	6
11	1011256	SPACER-CLUTCH,P90X	1
12	1008455	BUSHING-COVER,38.1MM	1
13	1008456	BUSHING-MOVABLE,50MM	1
14	1011974	WASHER-CLUTCH,SPIDER ROLLER	6
15	1002839	ASM-SPIDER ROLLER,P90X	3
16	1014430	SCR-M6X1.0X50.0 HX/FL-Y/D	6
17	1046844	WSHR-CLUTCH,40.5X49X0.8,SP-21	2
18	1002832	ASM-WEIGHT,SHIFT,32-106 [INCL. 19]	3
18	1046845	WEIGHT-SHIFT,32-106	3
19	1011973	BUSHING-WEIGHT,1/4X7/8,DU	3
20	1014023	SPRING-CLUTCH,90-180,HT	1
21	1030323	ASM-SPIDER,16.7MM,P90X [INCL. 4,10,14,15][TO 10/4/2021]	1
21	1048431	ASM-SPIDER,22MM,P90X [INCL. 4,10,14,15][FRM 10/4/2021]	1

DRIVE TRAIN, PRIMARY CLUTCH

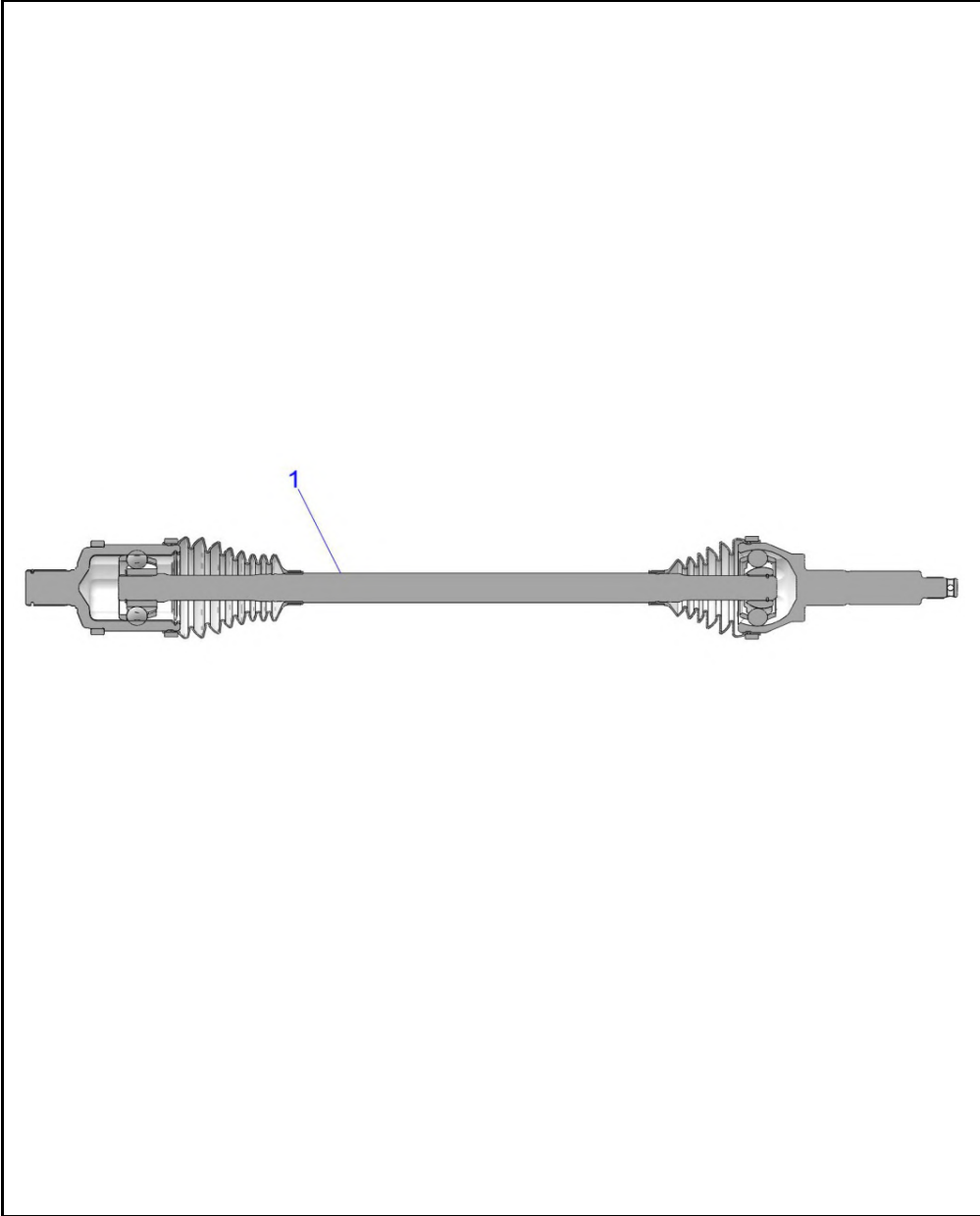
ASSEMBLIES : 2022 RGR RANGER XP 1000 EPS EU/TR/ZUG (R02) - R22RRS99C9/CK/CM/F9/FM/EF9/EFM/PCG/E99FM/E99PM



POS	SAP	Part Name	Qty
	1048432	ASM-DRIVE CLUTCH,BASIC,P90X [INCL. ALL EXCEPT 2, 16 and 18]	1
1	1048433	ASM-SHEAVE,STAT,P90X,HD	1
1	1048434	EBS CONVERSION KIT [OPTION]	1
2	1046841	SCR-SH-M14X1.5X180 10.9 SPC	1
3	1011262	PIN-SPIDER	3
4	1014491	BOLT-SHIFT WEIGHT,BUSHED	3
5	1014495	NUT-10-24-FLEX LOC-Z	3
6	1014535	WSHR-20.5X38.0X0.75 ZY3	1
7	1014536	WSHR-BELLE,21X37.5X3.8,SPC	1
8	1048435	ASM-BRG,IDLE,EBS,15DEG,GPP [INCL. 8 AND 15]	1
8	1048436	ASM-CLUTCH,ONEWAY,50MM,30RLRV	1
9	1047367	BUTTON-CLUTCH,22MM,SCP	6
10	1047372	SPACER-CLUTCH,P90X,QPQ	1
11	1048437	ASM-SLEEVE,EBS,15DEG,QPQ	1
12	1048438	HELIX,DRIVE,P90X,15DEG	1
13	1048439	SPRING-ONEWAY,EBS	1
14	1014430	SCR-M6X1.0X50.0 HX/FL-Y/D	6
15	1014533	WASHER-CLUTCH,P90X	2
16	1048440	ASM-WEIGHT-SHIFT,32-114, HC [INCL. 18]	3
17	1011973	BUSHING-WEIGHT,1/4X7/8,DU	3
18	1048441	SPRING-CLUTCH,103-200,HT	1
19	1047374	ASM-SPIDER,22MM,P90X,HD [INCL. 3, 9 and 20]	1
20	1011974	WASHER-CLUTCH,SPIDER ROLLER	6
21	1047370	BUSHING-50X55X25,MU	1
22	1048442	BUSHING-1.13X1.28X0.63,MU	1
23	1047365	POST-CLUTCH,OUTER,O-RING	1
24	1048443	O-RING-1.2X35MM	1
25	1047368	O-RING-1.0X17.5MM	1
26	1048444	WASHER-CLUTCH,P90X	1

DRIVE TRAIN, REAR HALF SHAFT

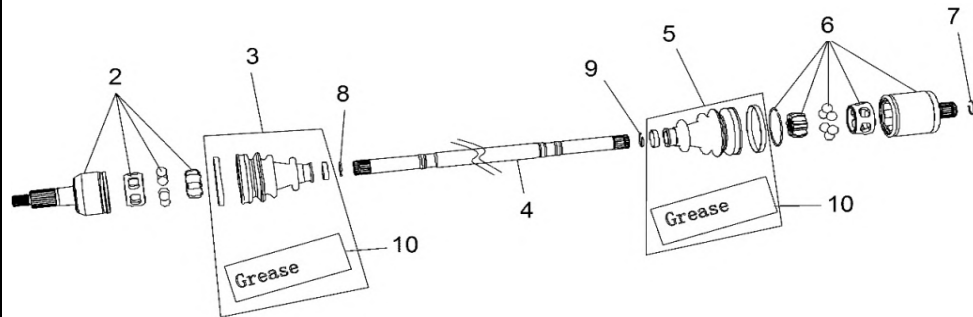
ASSEMBLIES : 2022 RGR RANGER XP 1000 EPS EU/TR/ZUG (R02) - R22RRS99C9/CK/CM/F9/FM/EF9/EFM/PCG/E99FM/E99PM



POS	SAP	Part Name	Qty
	1046846	ASM-HALFSHAFT,ABS REAR [INCL. ALL]	2
1	-----	K-CV OUTER JOINT [INCL. CAGE, BALL]	1

DRIVE TRAIN, REAR HALF SHAFT

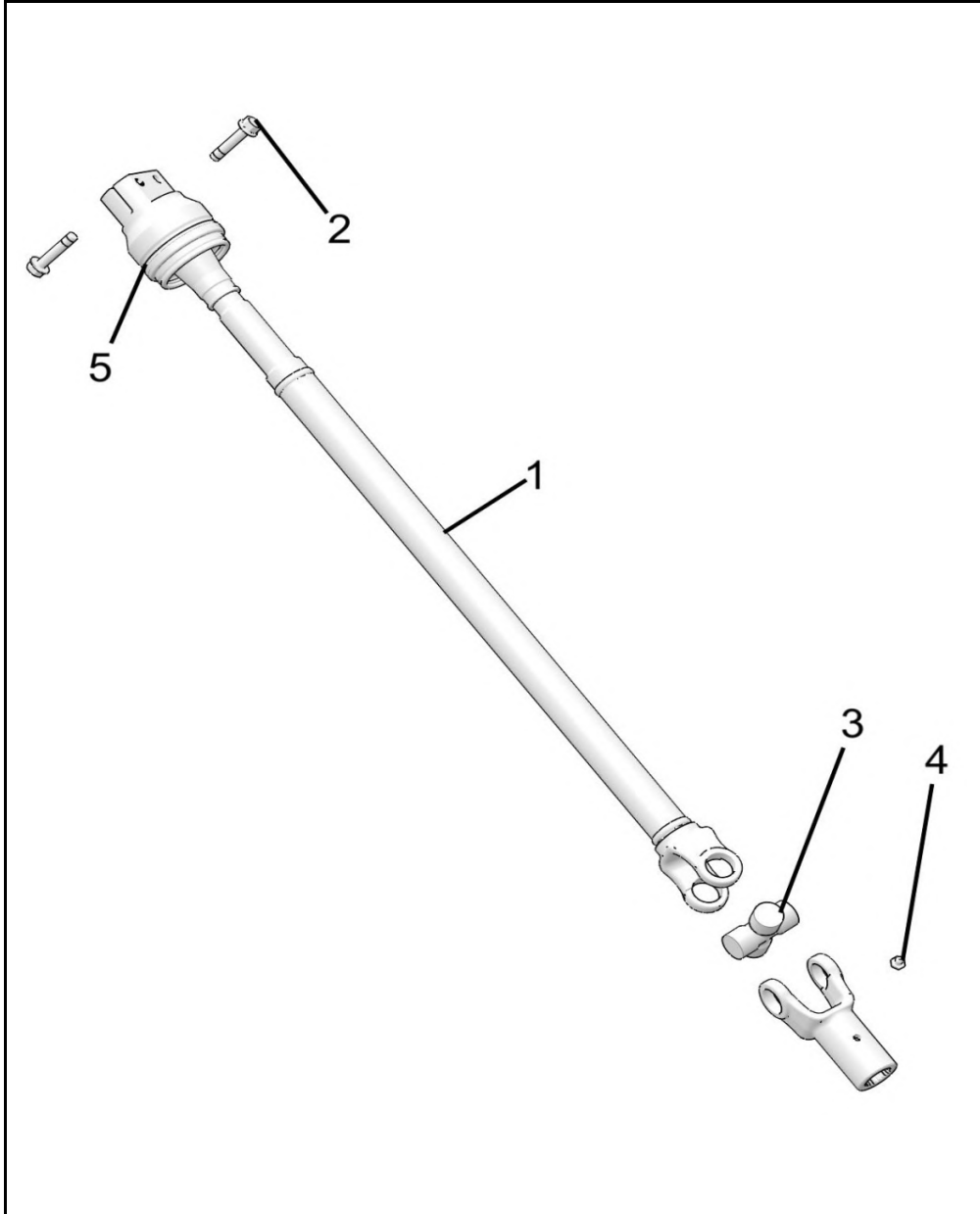
ASSEMBLIES : 2022 RGR RANGER XP 1000 EPS EU/TR/ZUG (R02) - R22RRS99C9/CK/CM/F9/FM/EF9/EFM/PCG/E99FM/E99PM



POS	SAP	Part Name	Qty
1	1028612	ASM-HALFSHAFT, REAR [INCL. 2-10][TO 5/16/2022]	2
1	1048445	ASM-HALFSHAFT,REAR [INCL 2-10][FROM 5/16/2022]	2
2	1039229	K-CV OUTER JOINT [INCL. CIRCLIPS]	1
3	1045912	KIT-BOOT(PR-8071)	1
4	1039231	BAR	1
5	1045682	K - BOOT, INNER	1
6	1045682	K - BOOT, INNER	1
7	1040341	CIRCLIP-2.0X31.6,PR-2085	1
8	1005176	CIRCLIP (PR-3201)	1
9	1040340	CIRCLIP(PR-3041)	1
10	1040346	GREASE(K575/VW738)	2

DRIVE TRAIN, REAR PROP SHAFT

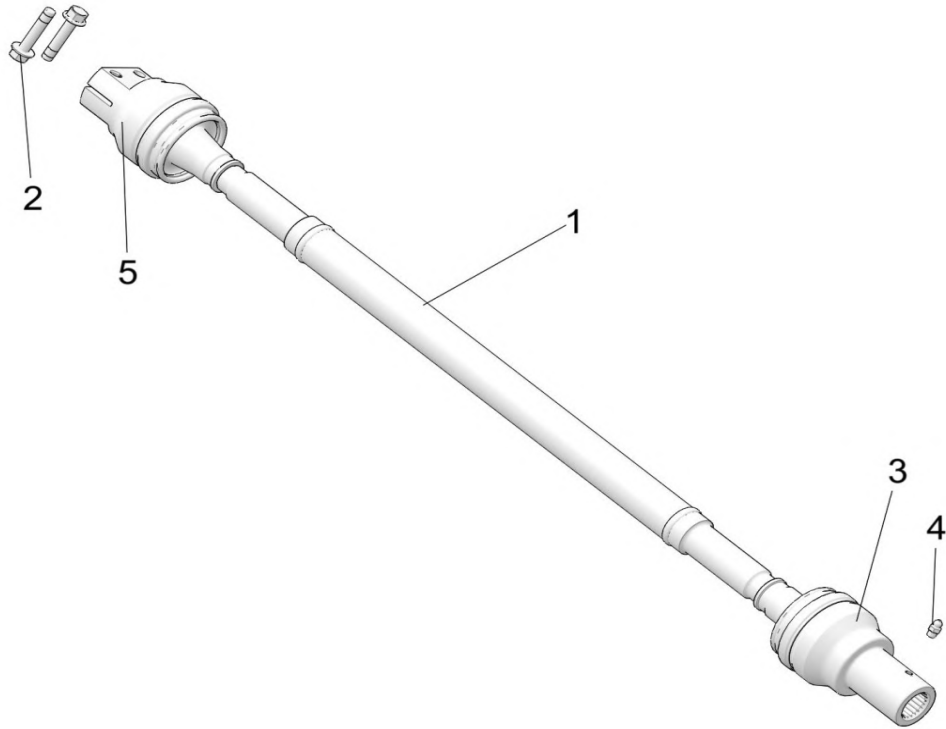
ASSEMBLIES : 2022 RGR RANGER XP 1000 EPS EU/TR/ZUG (R02) - R22RRS99C9/CK/CM/F9/FM/EF9/EFM/PCG/E99FM/E99PM



POS	SAP	Part Name	Qty
1	1048446	ASM., PROPSHAFT, REAR [INCL. 2-5]	1
2	1040480	SCR-HXFL-M8X1.25X40 8.8 ZODP30	2
3	-----	YOKE, SLIP	1
4	1039615	FITTING-LUBRICATION 1/4-28	1
5	-----	ASM CV	1

DRIVE TRAIN, REAR PROP SHAFT

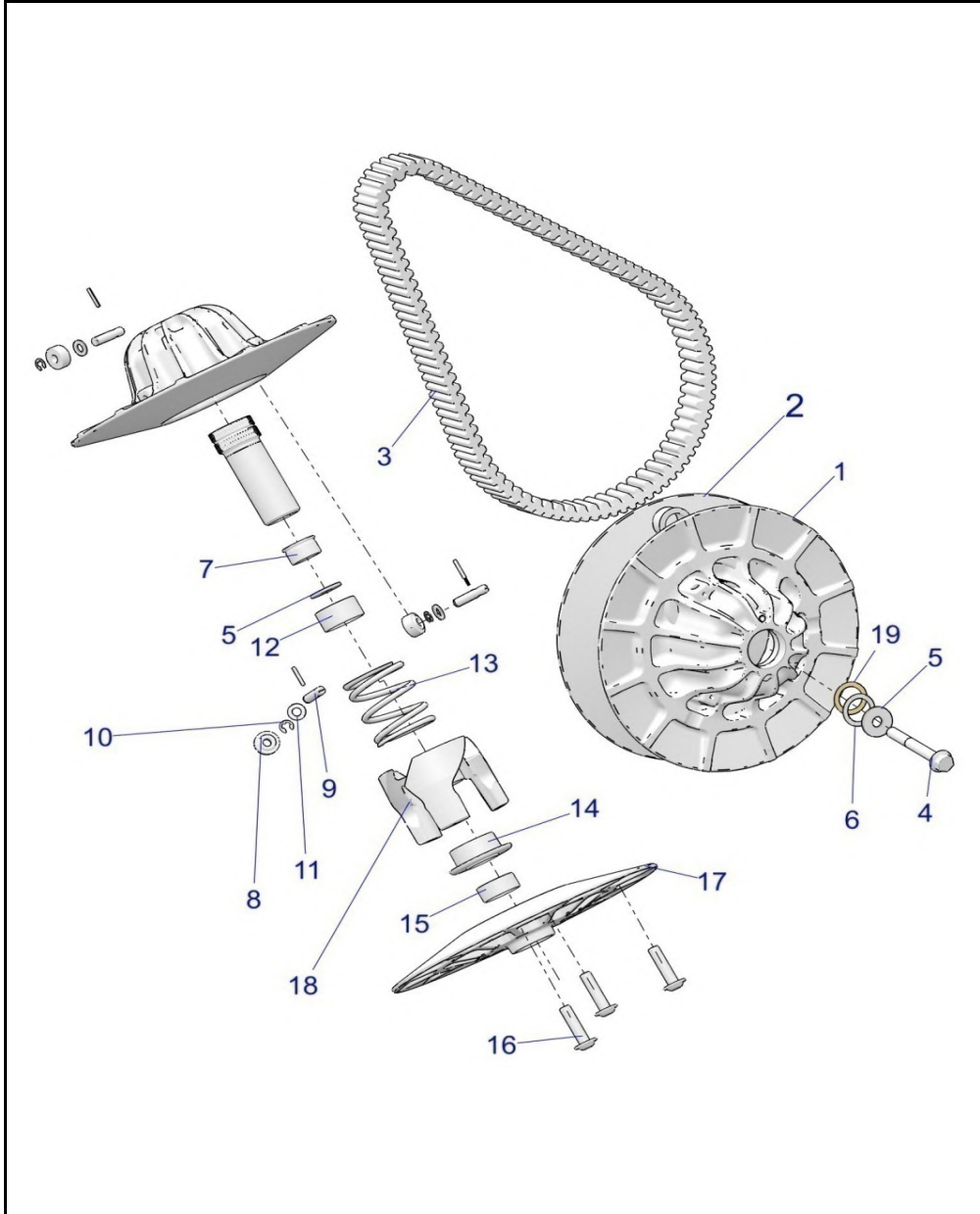
ASSEMBLIES : 2022 RGR RANGER XP 1000 EPS EU/TR/ZUG (R02) - R22RRS99C9/CK/CM/F9/FM/EF9/EFM/PCG/E99FM/E99PM



POS	SAP	Part Name	Qty
1	1048447	PROPSHAFT,REAR,CV,RGR [INCL. 3-5]	1
2	1047406	SCREW-SH-M8X1.25X35 8.8 ZPC NYL	2
3	-----	YOKE, SLIP	1
4	1039615	FITTING-LUBRICATION 1/4-28	1
5	-----	ASM CV	1

DRIVE TRAIN, SECONDARY CLUTCH

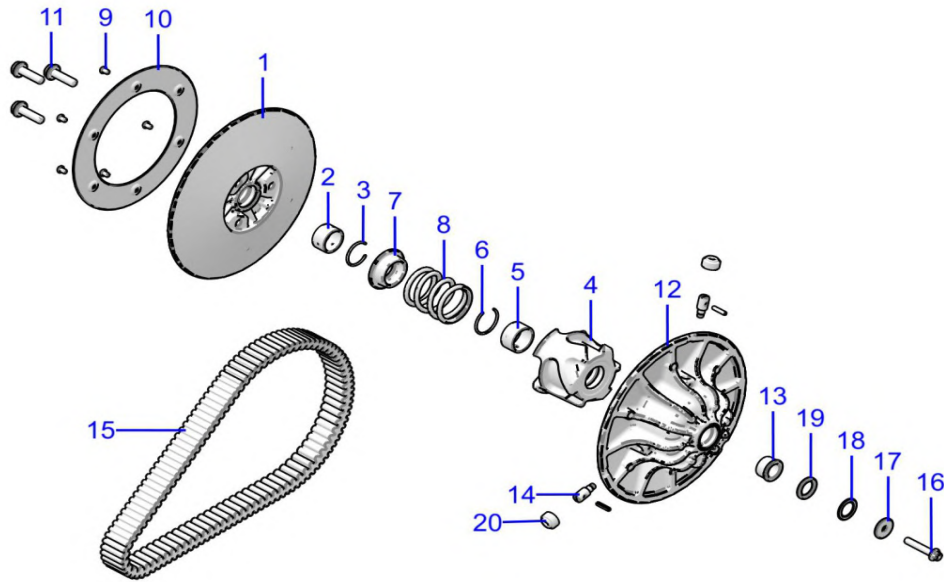
ASSEMBLIES : 2022 RGR RANGER XP 1000 EPS EU/TR/ZUG (R02) - R22RRS99C9/CK/CM/F9/FM/EF9/EFM/PCG/E99FM/E99PM



POS	SAP	Part Name	Qty
1	1044639	ASM-DRIVEN,STATIONARY,P90X [INCL. 7-11]	1
2	1037875	ASM-DRIVEN,MOVEABLE,P90X,NEBS [INCL. 12-18]	1
3	1007366	BELT, DRIVE	1
4	1014457	SCR-HXFL-M10X1.25X80 8.8 ZOD	1
5	1014529	WASHER-FLAT M10X30X2.5 HARDEN	1
6	1014537	SHIM-RING,23.25X32.25X0.5	AR
7	1011264	BUSHING-P90X,29X22X17	1
8	1011985	ROLLER-8X22X11.25,PAI4203	3
9	1028621	PIN-DRIVEN,ROLLER,8MM	3
10	1014621	E-CLIP,M6 Substituted by 7710492	3
11	1014538	WASHER-8.4X16X1.6 ZY3 HARD	3
12	1008447	BEARING-DU,35X20	2
13	1014022	SPRING,DRIVEN	1
14	1012205	CUP-DRIVEN SPRING,P90X	1
15	1008457	BUSHING,DU,P90X	1
16	1037873	SCR-TXFLBH-M10X1.25X40 10.9SPC	3
17	1039180	ASM-MOVABLE SHEAVE,CREW [INCL. 15]	1
18	-----	SHAFT LOOP, I .00 BORE, BRNG STEP, 2. 930L [INCL. 12]	1
19	1047386	SHIM-RING,23.25X32.25X2.28	1

DRIVE TRAIN, SECONDARY CLUTCH

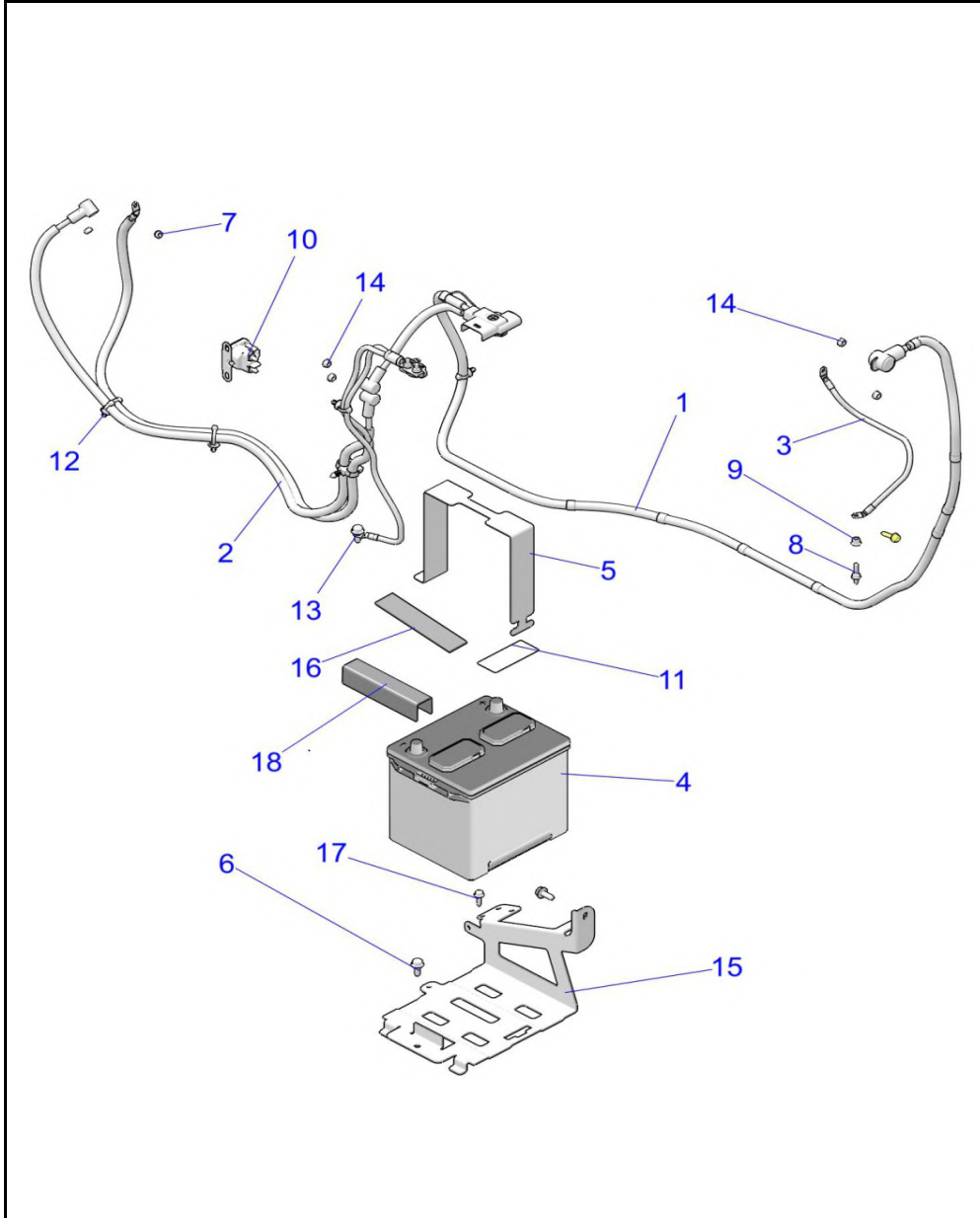
ASSEMBLIES : 2022 RGR RANGER XP 1000 EPS EU/TR/ZUG (R02) - R22RRS99C9/CK/CM/F9/FM/EF9/EFM/PCG/E99FM/E99PM



POS	SAP	Part Name	Qty
1	1048448	ASM-DRIVEN,MOVEABLE,P90X,HD [INCL. 1-11]	1
1	1047950	ASM-MOVEABLE SHEAVE [INCL. 1-3]	1
2	1038670	BEARING-MU,32X36X20	1
3	1038671	RING-SNAP,INT,36X1.5	1
4	1048449	ASM-HELIX,MAC,36048BA67 [INCL. 4-6]	1
4	1048450	HELIX,MACH,36-48BA67	1
5	1038679	BEARING-MU,35X20	1
6	1038677	RING-SNAP,INT,39X1.5	1
7	1038672	CUP-DRIVEN SPRING,P90X	1
8	1014022	SPRING,DRIVEN	1
9	1047951	SCR-TXBH-M5X0.8X8 SPC TRILOBE	6
10	1047954	PLATE-WINDAGE,DRIVE	1
11	1047952	SCR-HHSEMS-M10X1.5X40 10.9 SPC	3
12	1048451	ASM-DRIVEN,STAT,P90X,HD [INCL. 12-14]	1
13	1011264	BUSHING-P90X,29X22X17	1
14	1038676	PIN-DRIVEN,ROLLER,12MM,CAP	3
15	1007366	BELT, DRIVE	1
16	1047953	SCR-HXFL-M8X1.25X50 10.9 ZPB	1
17	1047385	WSHR-8.4X30. 0X2.0 ZPB	1
18	1014537	SHIM-RING,23.25X32.25X0.5	4
19	1047386	SHIM-RING,23.25X32.25X2.28	1
20	1048452	ROLLER-8X22X12.5,PAI,CAP	3

ELECTRICAL, BATTERY

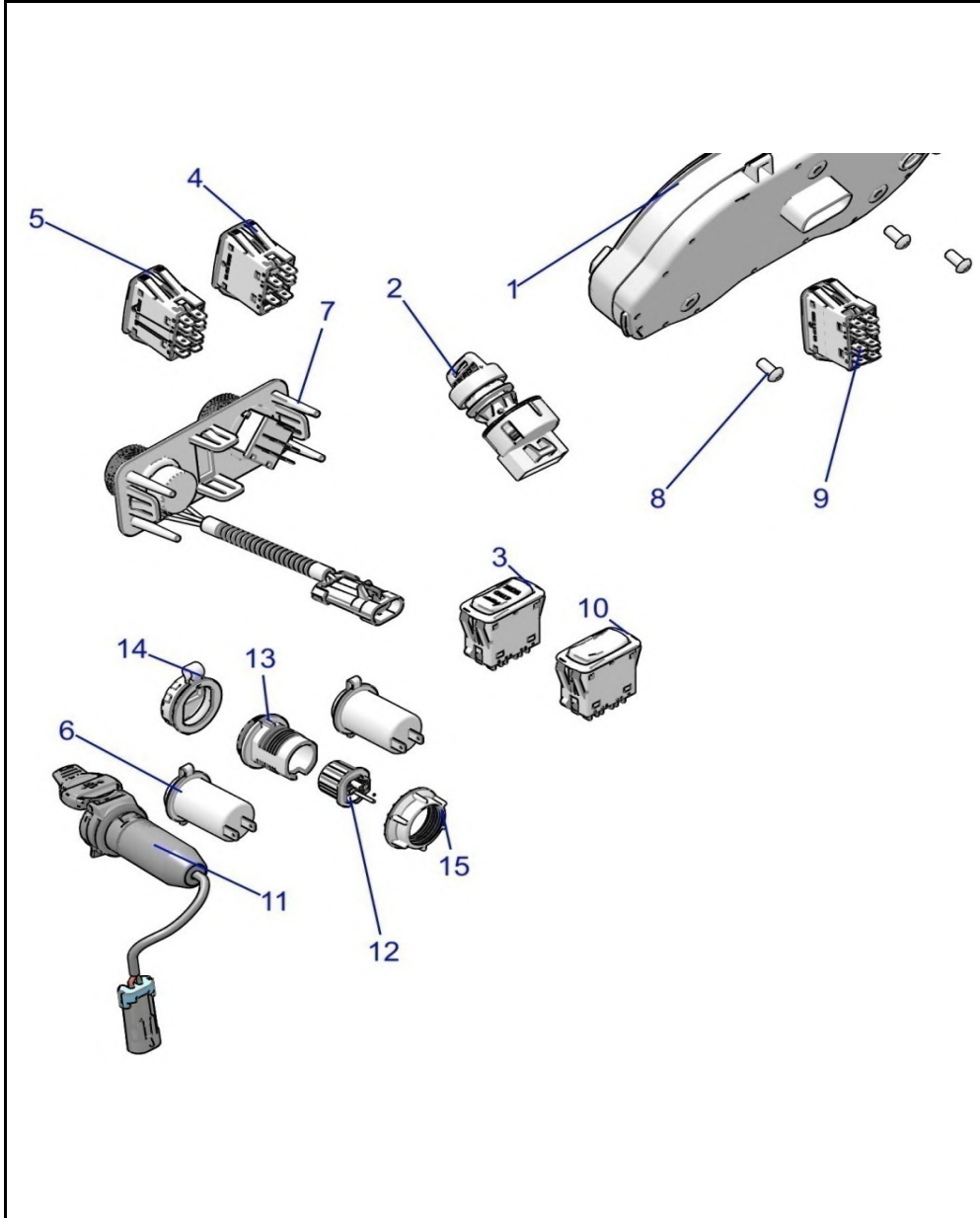
ASSEMBLIES : 2022 RGR RANGER XP 1000 EPS EU/TR/ZUG (R02) - R22RRS99C9/CK/CM/F9/FM/EF9/EFM/PCG/E99FM/E99PM



POS	SAP	Part Name	Qty
1	1048453	CABLE-BATTERY TO SOLENOID	1
2	1046856	CABLE, START TO SOLENOID	1
3	1046857	CABLE-GROUND,ENG,BAT,CHAS	1
4	1030660	BATTERY-530 CCA,FLOODED,EUROPE	1
5	1046858	BRACKET, STRAP, BATTERY,VARTA,BLK	1
6	1039688	SCR-TFHFL-M8X1.25X20 CHS ZOD	2
7	1039773	NUT-6MM X 1 NYLOK-Z	2
8	1039752	STUD-M6X1.0X19-M6 TAPTITE	1
9	1039782	NUT, M6 FLANGE, NYLOC	1
10	1009588	SOLENOID, STARTER, SEALED	1
11	1045541	DECAL-WARN,OWNER MANUAL INFO	1
12	1014065	CLIP-ROUTING	1
13	1046859	SCR-HXFL-M8X1.25X20 TAP ZY3	1
14	1045182	NUT-HXFLGHD, M6, SERRATED	4
15	1048454	BRKT-BATTERY TRAY EU,BLK	1
16	1039594	PAD-BATTERY	1
17	1039683	SCR-M6X1.0X20, HXHD, FLG, TDFM, BK	3
18	1046861	COVER SEATBASE BATTERY EU,BLK	1

ELECTRICAL, DASH INSTRUMENTS

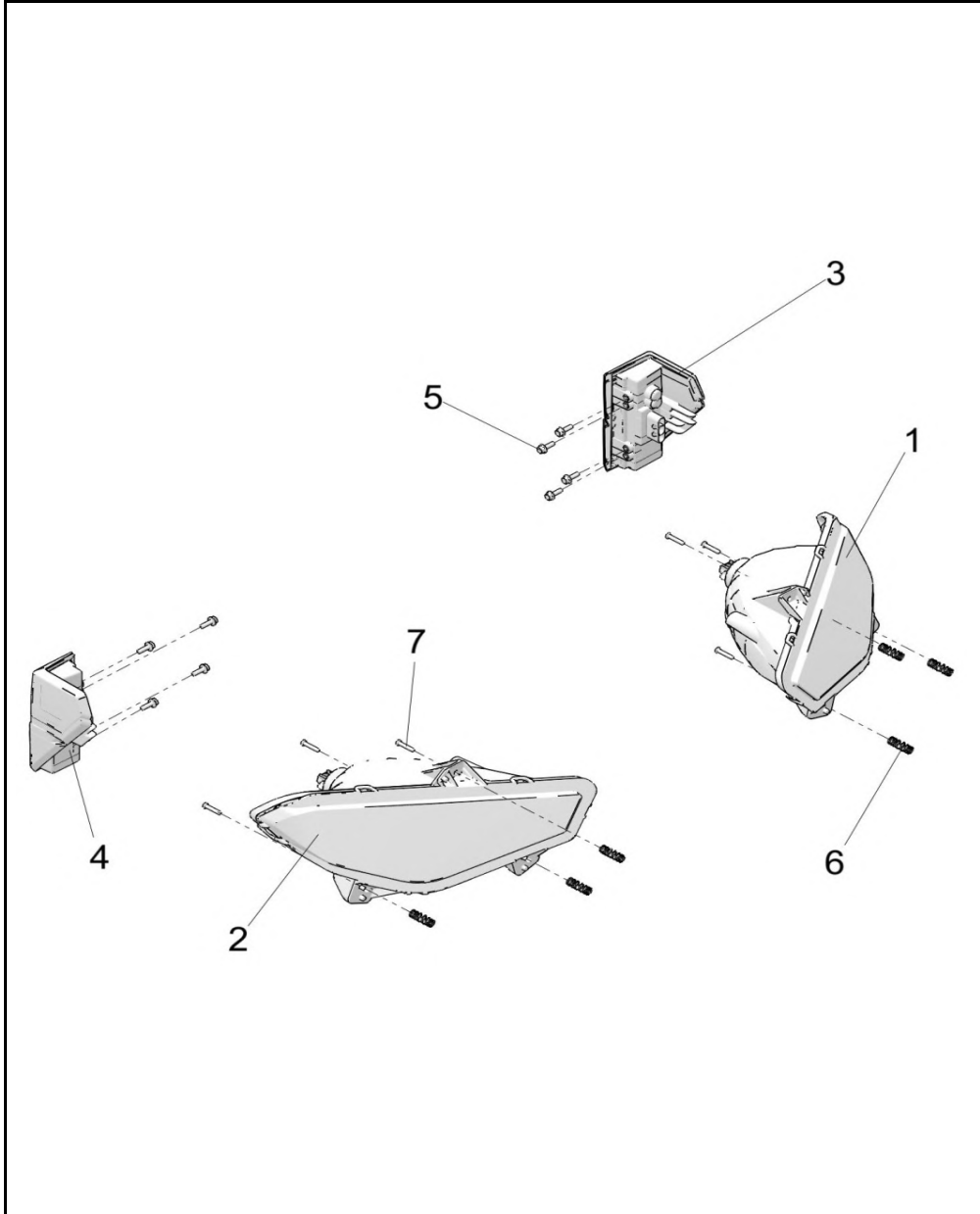
ASSEMBLIES : 2022 RGR RANGER XP 1000 EPS EU/TR/ZUG (R02) - R22RRS99C9/CK/CM/F9/FM/EF9/EFM/PCG/E99FM/E99PM



POS	SAP	Part Name	Qty
1	1048455	ASM-CLUSTER,C4,ABS,TR [TO 9/27/2021]	1
1	1045697	ASM-CLUSTER,C4,ABS,TR [FRM 9/27/2021]	1
2	1045698	SWITCH-KEY,4 POS,ATV,SEALED [TO 5/1/22]	1
2	1047417	SWITCH-KEY,4 POS,ATV,SEALED [FROM 5/1/22]	1
3	1048456	SWITCH-DRIVEMODE,3MODE,RGR [EF9][EFM]	1
4	1047418	SWITCH-AWD	1
5	1048457	SWITCH-ADC2 [EF9][EFM][SC9][SCK][SCM][SF9][SFM]	1
6	1047420	RECEPTACLE-POD MNT,12 VOLT	2
7	1047423	SWITCH-PANEL,HEATER,ZS [SCK]	1
8	1046866	SCR-TORX BTNHD,M6X12,0600129	1
9	1047421	SWITCH-HAZARD,IP67 FRONT	1
10	1047431	SWITCH-FOG LIGHT REAR [SFM][SF9]	1
11	1048458	HARNESS,USB	1
12	1047422	ASM-CHARGE PORT,BASE [INCL. 13-15]	1
13	1048459	PLUG-HARNESS CHARGE PORT	1
14	1048460	CAP-CHARGE PORT	1
15	1048461	NUT-CHARGE PORT	1

ELECTRICAL, HEADLIGHTS And TAILLIGHTS

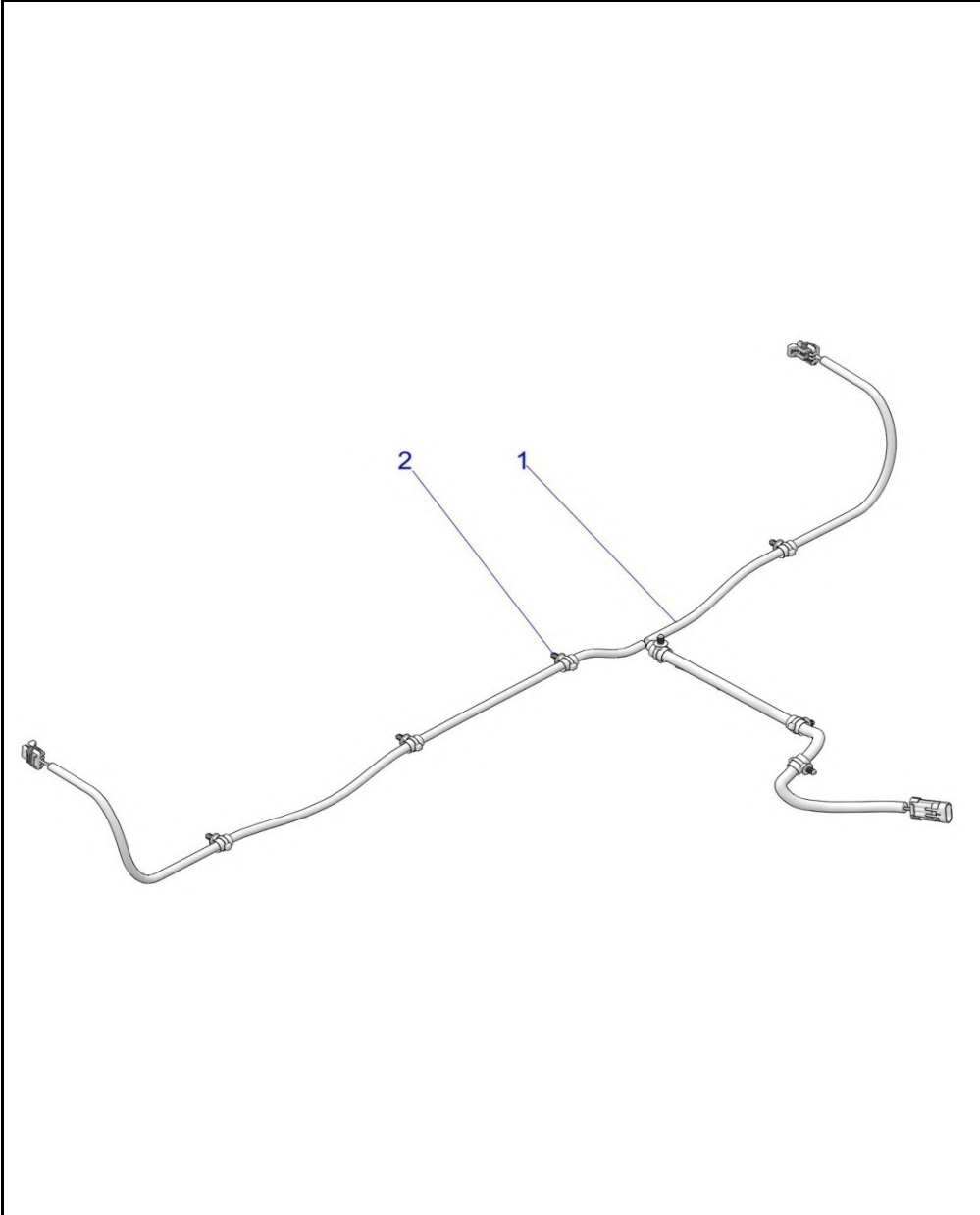
ASSEMBLIES : 2022 RGR RANGER XP 1000 EPS EU/TR/ZUG (R02) - R22RRS99C9/CK/CM/F9/FM/EF9/EFM/PCG/E99FM/E99PM



POS	SAP	Part Name	Qty
1	1048462	ASM-HEADLIGHT ECE,RGR,LH	1
2	1048463	ASM-HEADLIGHT ECE,RGR,RH	1
3	1005855	ASM-TAILLIGHT,ECE,LH	1
4	1005856	ASM-TAILLIGHT,ECE,RH	1
5	1039724	SCR-HXFL-M6X1.0X20 8.8 RIE	8
6	1013999	SPRING, HEADLIGHT	6
7	1014424	SCR-10X1.12 TX PN PLS-Y	6

ELECTRICAL, UPFIT, ZUG

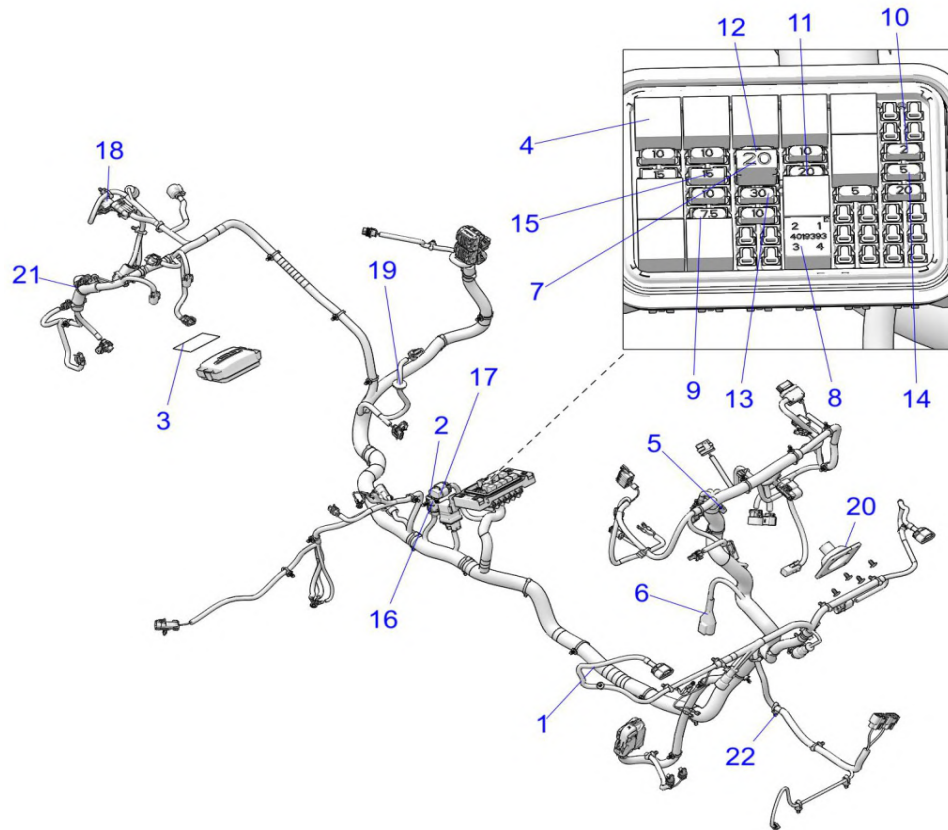
ASSEMBLIES : 2022 RGR RANGER XP 1000 EPS EU/TR/ZUG (R02) - R22RRS99C9/CK/CM/F9/FM/EF9/EFM/PCG/E99FM/E99PM



POS	SAP	Part Name	Qty
1	1048464	HARNESS,BOX,RANGER	1
2	1014065	CLIP-ROUTING	10

ELECTRICAL, WIRE HARNESS

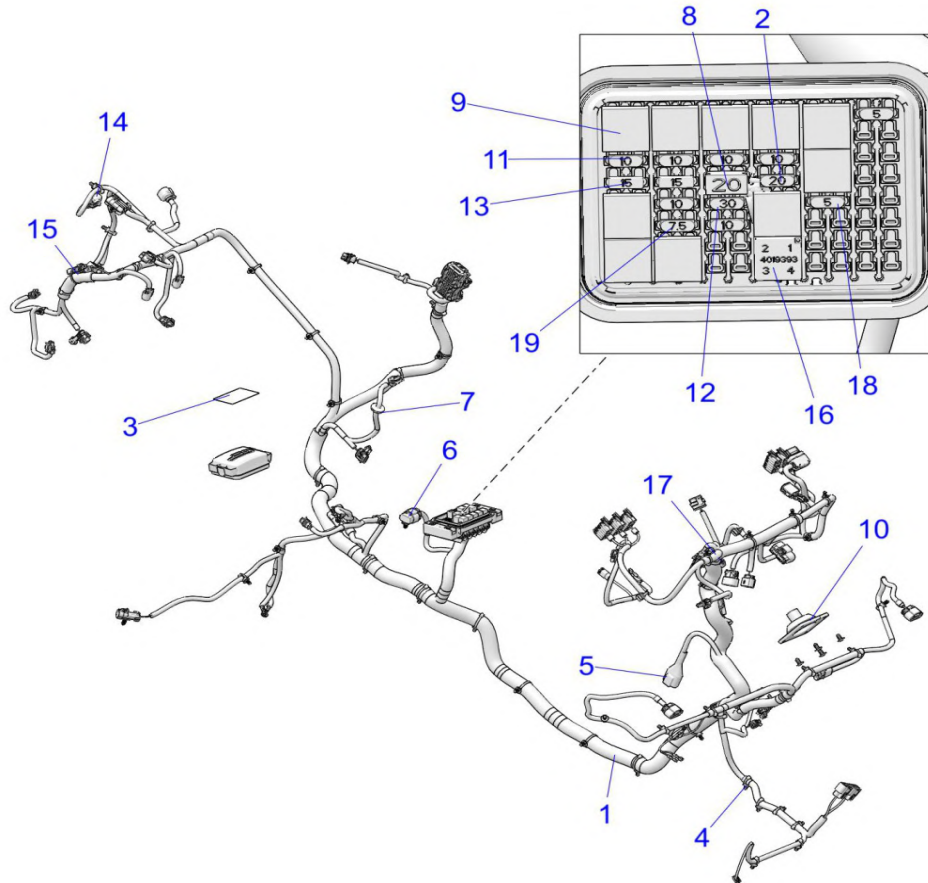
ASSEMBLIES : 2022 RGR RANGER XP 1000 EPS EU/TR/ZUG (R02) - R22RRS99C9/CK/CM/F9/FM/EF9/EFM/PCG/E99FM/E99PM



POS	SAP	Part Name	Qty
1	1048465	HARNESS-CHASSIS,PS,TRC,ABS [INCL. ALL]	1
2	1046911	DECAL-ABS FUSE, 40A	1
3	1048466	LABEL, FUSE BOX RGR PS TRC ABS	1
4	1009596	RELAY - SPST, 12V, 20A, EPXY, HFA	10
5	1047439	CONNECTOR-CAP, WINCH SWITCH	2
6	1045708	THROTTLE-CON BOOT	1
7	1048467	BREAKER, CIRCUIT, TYP 11, 20 AMP	1
8	1047438	SSR-4PIN	1
9	1045235	FUSE - 7.5, MINI BLADE (BROWN)	1
10	1046913	FUSE, 2 AMP,ATM BLADE STYLE, MINI	1
11	1045951	FUSE,PARK,20 AMP,(10)	2
12	1005911	FUSE, IGNITION, 10 AMP	6
13	1045236	FUSE,MAIN,30 AMP,(10)	1
14	1009567	FUSE, 5 AMP	2
15	1039379	Fuse, Mini Blade, 15 Amp.	2
16	1046912	FUSE, ATC 40 AMP	1
17	1039488	COVER - DIAGNOSTIC, W/ CLIP	1
18	1046896	COVER, HAZARD FLASHER FUSE	1
19	1046893	GROMMET - USB, 3 MM, 22 MM DIA	1
20	1046895	GROMMET - 65MM, W/FLANGE, BLK	1
21	1039612	PANDUIT STRAP	AR
22	1014065	CLIP-ROUTING	AR

ELECTRICAL, WIRE HARNESS

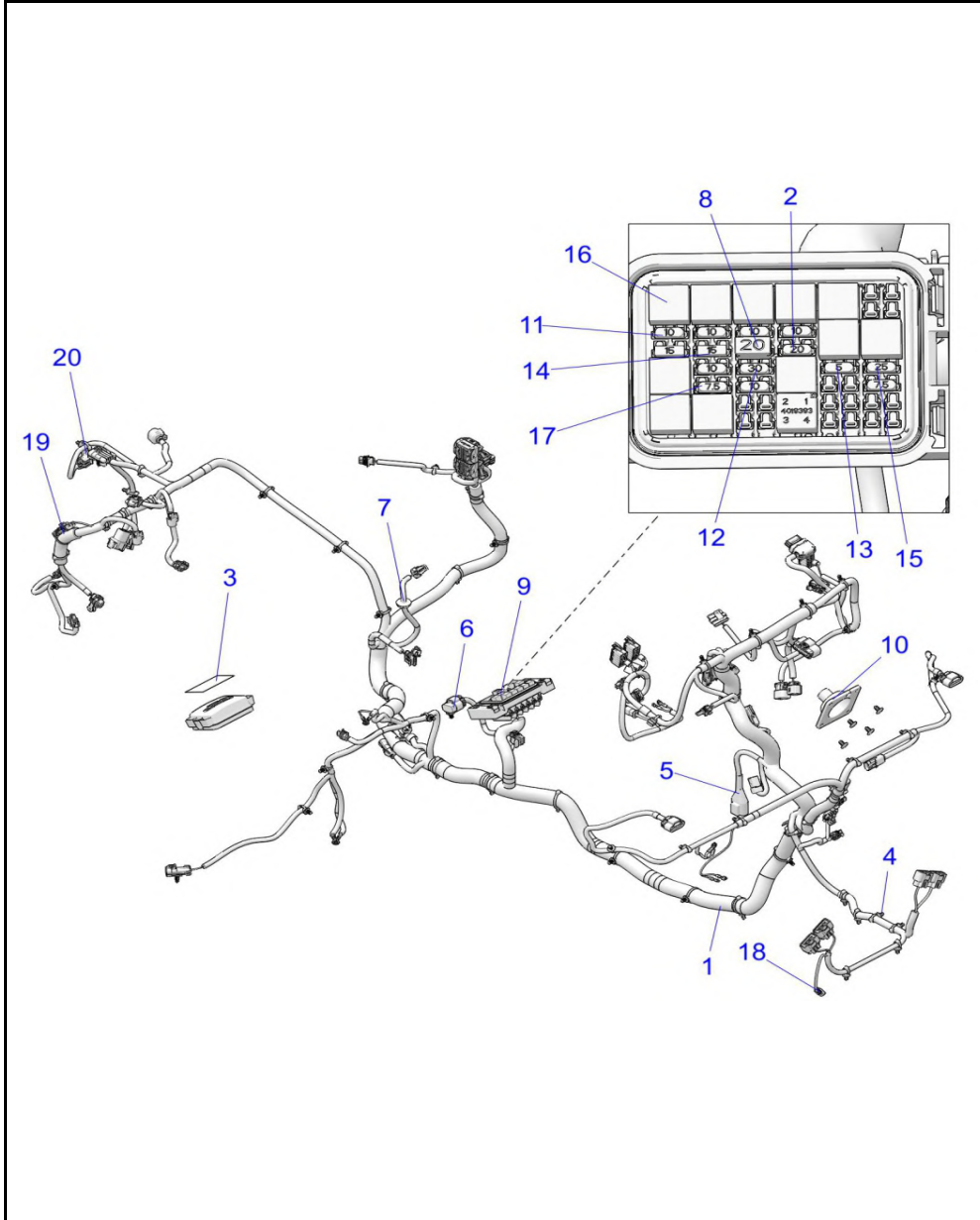
ASSEMBLIES : 2022 RGR RANGER XP 1000 EPS EU/TR/ZUG (R02) - R22RRS99C9/CK/CM/F9/FM/EF9/EFM/PCG/E99FM/E99PM



POS	SAP	Part Name	Qty
1	1048468	HARNESS-CHASSIS,PS,TRC,NORDIC [INCL. ALL]	1
2	1045951	FUSE,PARK,20 AMP,(10)	1
3	1048469	LABEL, FUSE BOX	1
4	1014065	CLIP-ROUTING	AR
5	1045708	THROTTLE-CON BOOT	1
6	1039488	COVER - DIAGNOSTIC, W/ CLIP	1
7	1046893	GROMMET - USB, 3 MM, 22 MM DIA	1
8	1048467	BREAKER, CIRCUIT, TYP 11, 20 AMP	1
9	1047438	SSR-4PIN	1
10	1046895	GROMMET - 65MM, W/FLANGE, BLK	1
11	1005911	FUSE, IGNITION, 10 AMP	6
12	1045236	FUSE,MAIN,30 AMP,(10)	1
13	1009567	FUSE, 5 AMP	1
14	1039379	Fuse, Mini Blade, 15 Amp.	2
15	1009568	Fuse, 25 AMP, Mini Blade	1
16	1009596	RELAY - SPST, 12V, 20A, EPXY, HFA	11
17	1045235	FUSE - 7.5, MINI BLADE (BROWN)	2
18	1047439	CONNECTOR-CAP, WINCH SWITCH	2
19	1039612	PANDUIT STRAP	1

ELECTRICAL, WIRE HARNESS

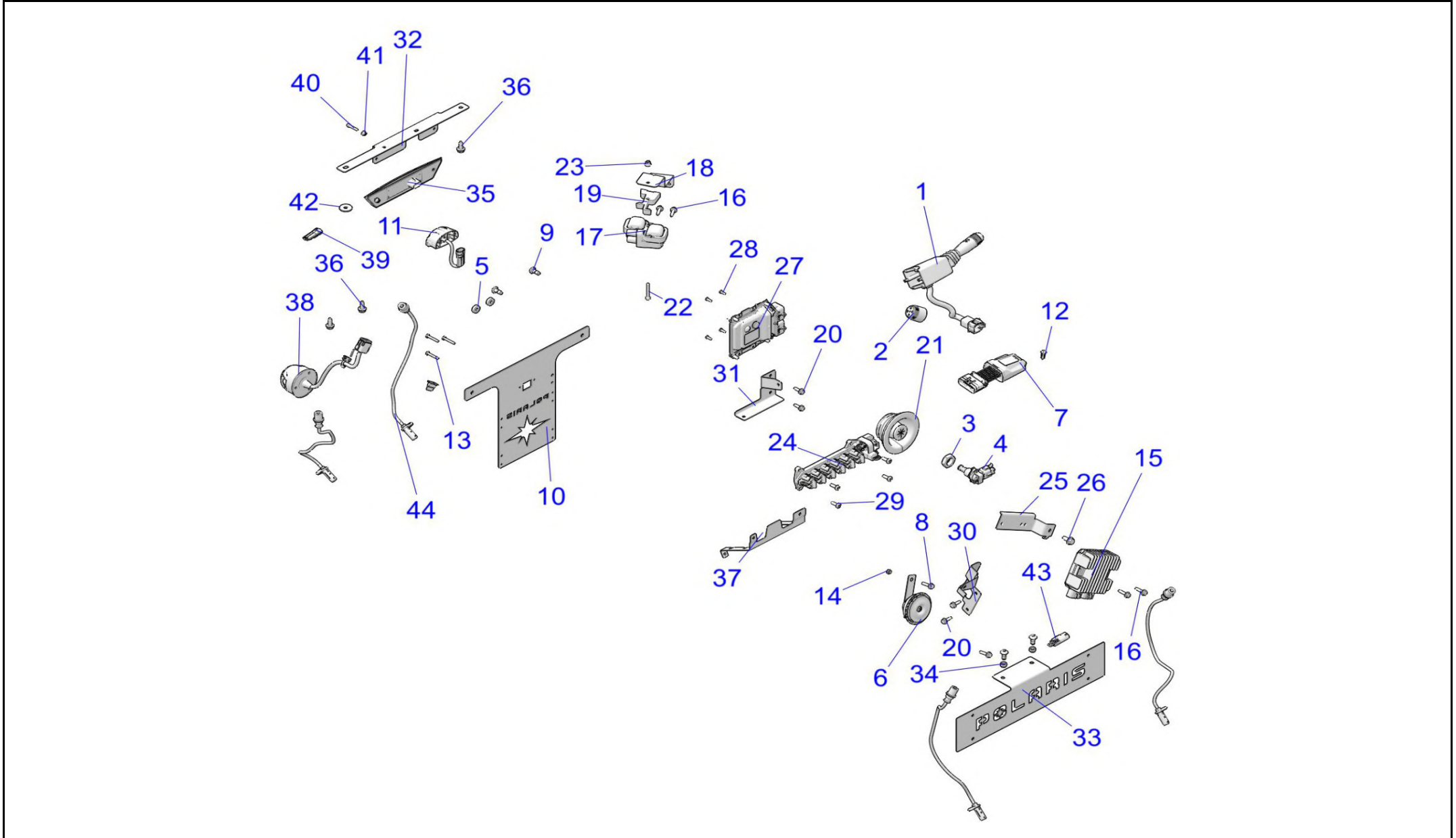
ASSEMBLIES : 2022 RGR RANGER XP 1000 EPS EU/TR/ZUG (R02) - R22RRS99C9/CK/CM/F9/FM/EF9/EFM/PCG/E99FM/E99PM



POS	SAP	Part Name	Qty
1	1048471	HARNESS-CHASSIS,FP,TRC [INCL. ALL]	1
2	1045951	FUSE,PARK,20 AMP,(10)	1
3	1048472	LABEL, FUSE BOX	1
4	1014065	CLIP-ROUTING	AR
5	1045708	THROTTLE-CON BOOT	1
6	1039488	COVER - DIAGNOSTIC, W/ CLIP	1
7	1046893	GROMMET - USB, 3 MM, 22 MM DIA	1
8	1048467	BREAKER, CIRCUIT, TYP 11, 20 AMP	1
9	1009596	RELAY - SPST, 12V, 20A, EPXY, HFA	10
10	1046895	GROMMET - 65MM, W/FLANGE, BLK	1
11	1005911	FUSE, IGNITION, 10 AMP	4
12	1045236	FUSE,MAIN,30 AMP,(10)	1
13	1039379	Fuse, Mini Blade, 15 Amp.	4
14	1046896	COVER, HAZARD FLASHER FUSE	1
15	1039612	PANDUIT STRAP	1
16	1047438	SSR-4PIN	1
17	1047439	CONNECTOR-CAP, WINCH SWITCH	2
18	1009567	FUSE, 5 AMP	2
19	1045235	FUSE - 7.5, MINI BLADE (BROWN)	

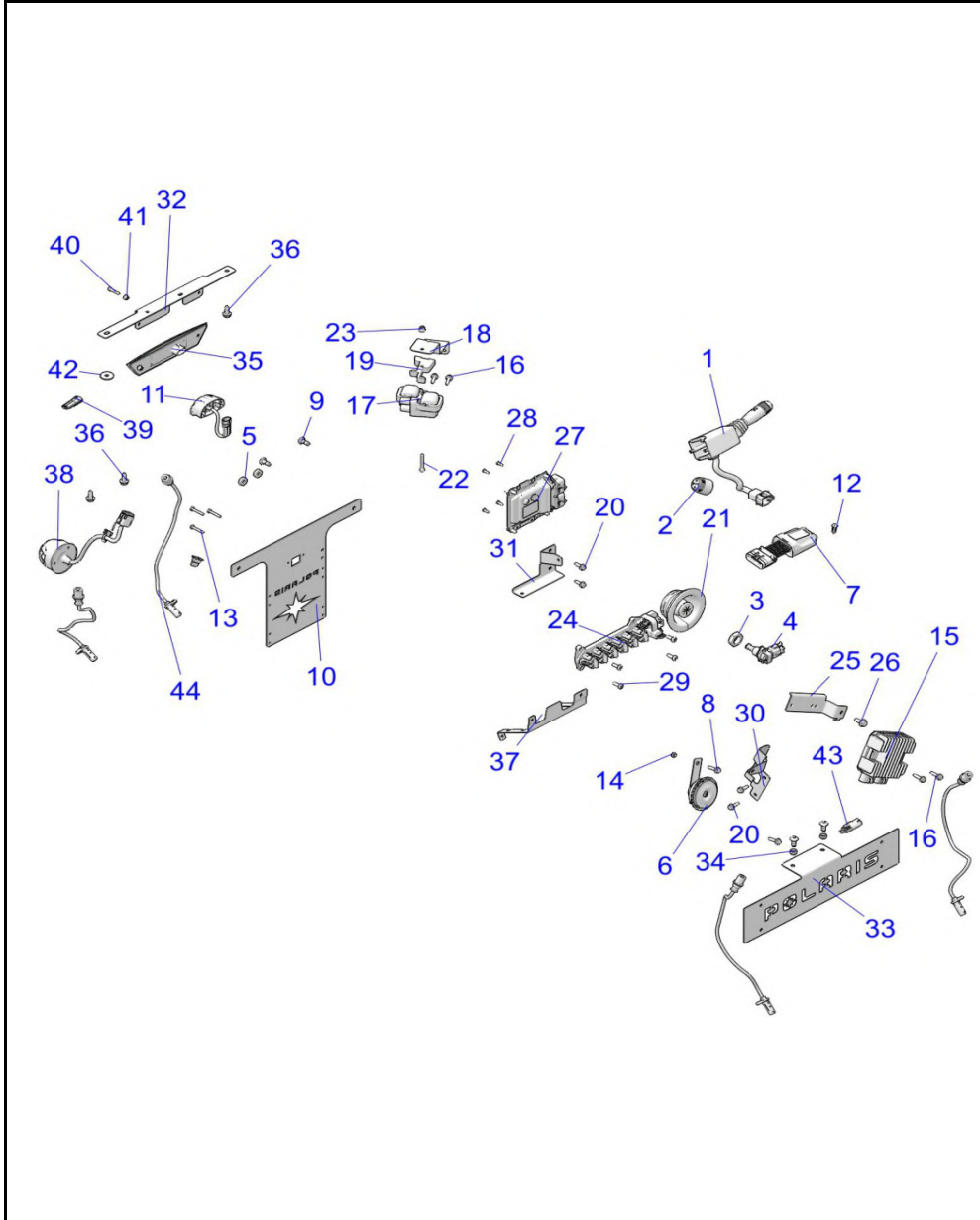
ELECTRICAL, WIRE HARNESS COMPONENTS, And LICENSE PLATE

ASSEMBLIES : 2022 RGR RANGER XP 1000 EPS EU/TR/ZUG (R02) - R22RRS99C9/CK/CM/F9/FM/EF9/EFM/PCG/E99FM/E99PM



ELECTRICAL, WIRE HARNESS COMPONENTS, And LICENSE PLATE

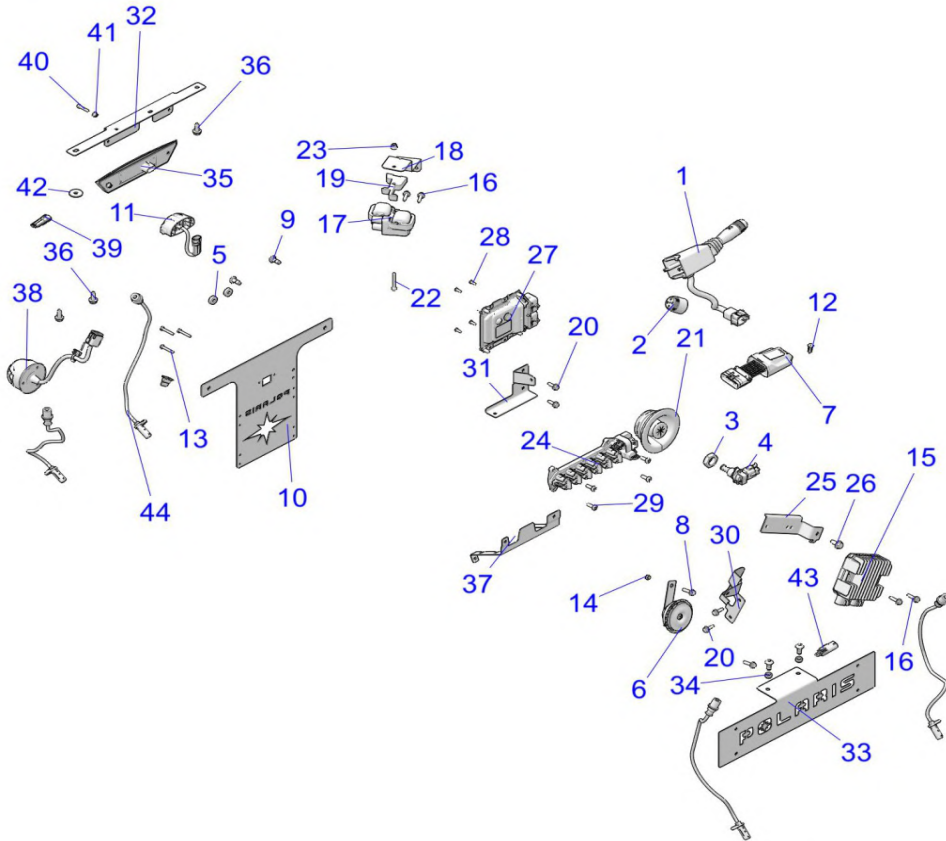
ASSEMBLIES : 2022 RGR RANGER XP 1000 EPS EU/TR/ZUG (R02) - R22RRS99C9/CK/CM/F9/FM/EF9/EFM/PCG/E99FM/E99PM



POS	SAP	Part Name	Qty
1	1045683	SWITCH BLOCK,TURN,LIGHTS HORN	1
2	1045709	ALARM-BRAKE, WARNING	1
3	1045627	NUT-HEX-M20X1.5 8 ZOD [PCG]4	1
4	1040238	BRAKE PEDAL SWITCH [PCG]4	1
5	1045690	WASHER-.28 X.75 X.25-NYLON-B [EF9][EFM][PCG][SC9][SCK][SCM][SF9][SFM]	4
6	1009565	HORN, DISC	1
7	1009602	MODULE-FLASH,TURN,TRAILER,TRC	1
8	1039698	SCREW-HXFL-M6X1.0X20 8.8 ZY3	1
9	1014473	SCR-TXTH-M8X1.25X20 8.8 ZB3 P3	2
10	1048474	BRKT-LICENSE PLATE,MATTE BLK [EF9][EFM][PCG][SC9][SCK][SCM][SF9][SFM]	1
11	1005857	LIGHT-LICENSE PLATE,TRACTR,BLK [EF9][EFM][PCG][SC9][SCK][SCM][SF9][SFM]	1
12	1047450	CLIP-XMAS TREE, .945 X .228	1
13	1039655	SCR-10-24X1.25TFM PN TRX TRI-Y	3
14	1039773	NUT-6MM X 1 NYLOK-Z	1
15	1009597	REGULATOR-3PH,50A,SERIES,HISPD [QTY 2 FOR SCK]	1
16	1046897	SCR-TFHFL-M6X1.0X25,ZY3	7
17	1039486	COIL, EFI	1
18	1046898	BRKT-COIL MOUNT	1
19	1011828	SPACER, COIL MOUNT	1
20	1039683	SCR-M6X1.0X20, HXHD, FLG, TDFM, BK	6
21	1046879	GROMMET-HOOD LINER,SPLIT	1
22	1039705	SCR-M6X1.0X40,HX/SOC/CP-B	1
23	1039782	NUT, M6 FLANGE, NYLOC	1
24	1046900	BLOCK-TERMINAL,3 POST,TALL [INCL. FUSE PLUG AND COVER]	1
25	1046904	BRKT-MOUNT,REG	1
25	1047454	BRKT-MOUNT,REG [SCK]	1
26	1039688	SCR-TFHFL-M8X1.25X20 CHS ZOD	2

ELECTRICAL, WIRE HARNESS COMPONENTS, And LICENSE PLATE

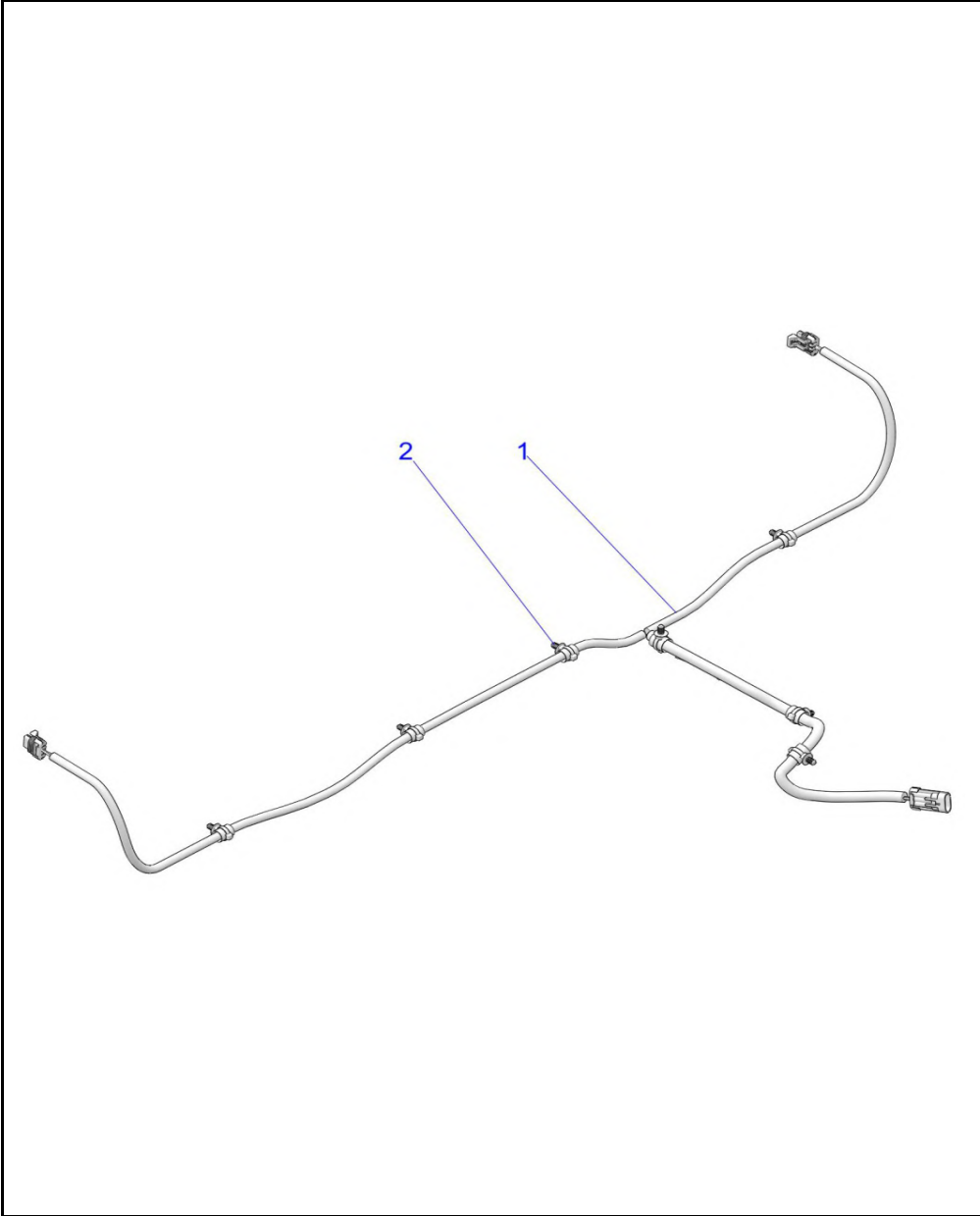
ASSEMBLIES : 2022 RGR RANGER XP 1000 EPS EU/TR/ZUG (R02) - R22RRS99C9/CK/CM/F9/FM/EF9/EFM/PCG/E99FM/E99PM



POS	SAP	Part Name	Qty
27	1009581	ECM-HARD,ME17,2CYL,250K	1
28	1039719	SCR-#10X1/2-HI/LO-PN-T25, TRX-M	4
29	1039758	SCR-TXPH-#14 X .75 HI-LO RIE	4
30	1048475	BRKT-ROUTING,BLK	1
31	1046908	BRKT-HARNESS ROUTING,BLK	1
32	1047453	BRKT-FOG LIGHT,LED,RGR,BLK [SFM][SF9]	1
33	1047432	BRKT-LICENSE PL,FRONT,M.BLK [SFM][SF9]	1
34	1014497	NUT-HEX,M8X1.25,NYLOCK-SS [SFM][SF9]	2
35	1047429	FOG LIGHT,REAR,LED [SFM][SF9]	1
36	1045689	SCR-HWH-M8X1.25X20 TAP/R ZPB [SFM][SF9]	1
37	1048476	BRKT-FUSE HOLDER,PREM,BLK	1
38	1048477	JUMPER,TRAILER SOCKET,DSL	1
39	1048478	DUMMY CAP FOR LIC PLATE LIGHT [SFM][SF9]	1
40	1047433	SCREW-SH-M5X0.8X25 A2 SPC [SFM][SF9]	2
41	1045123	NUT-M5X0.8 8.8 HX/FL NYLOC	2
42	1047430	Spring, Torsion Command Lever [SFM][SF9]	1
43	1045707	JUMPER-BRAKE PRESSURE SWITCH [SFM][SF9]	1
44	1046914	SPEED SENSOR,WHEEL [PCG]4	4

ELECTRICAL, WIRE HARNESS, BOX

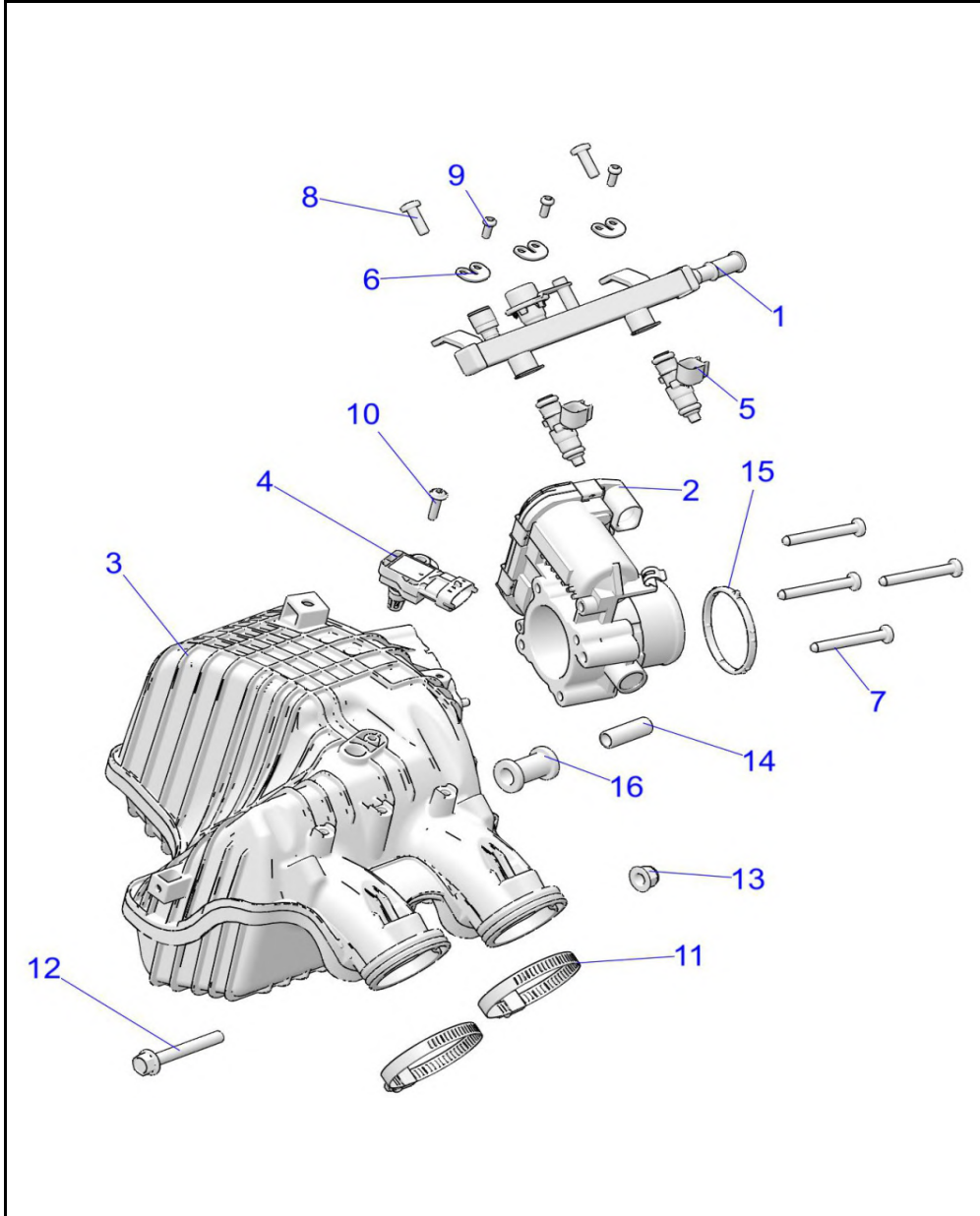
ASSEMBLIES : 2022 RGR RANGER XP 1000 EPS EU/TR/ZUG (R02) - R22RRS99C9/CK/CM/F9/FM/EF9/EFM/PCG/E99FM/E99PM



POS	SAP	Part Name	Qty
1	1048464	HARNESS,BOX,RANGER	1
2	1014065	CLIP-ROUTING	11

ENGINE, AIR INTAKE MANIFOLD

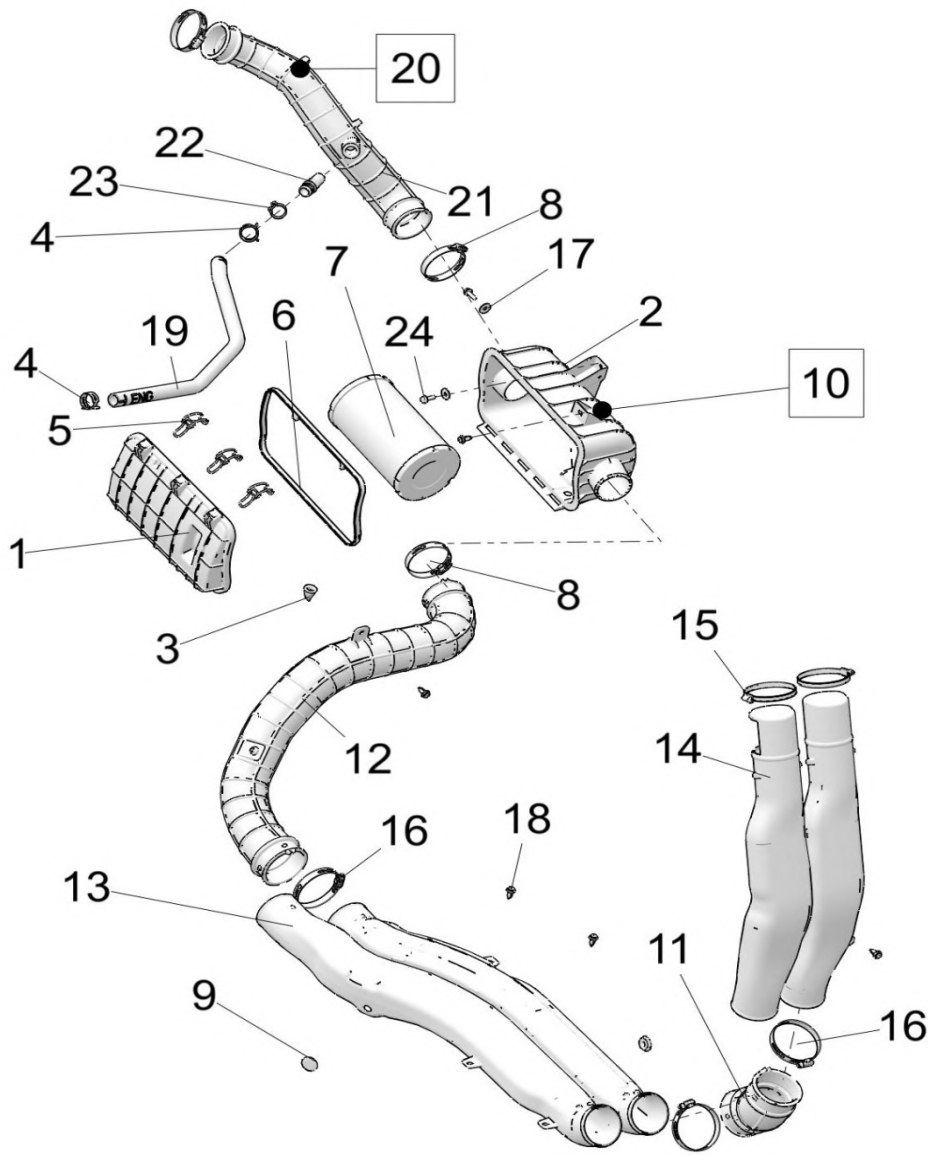
ASSEMBLIES : 2022 RGR RANGER XP 1000 EPS EU/TR/ZUG (R02) - R22RRS99C9/CK/CM/F9/FM/EF9/EFM/PCG/E99FM/E99PM



POS	SAP	Part Name	Qty
1	1045726	RAIL, FUEL	1
2	1002283	ASM., THROTTLE BODY	1
3	1045725	MANIFOLD-INTAKE,COMPOSITE,19 [INCL. 14-16]	1
4	1005828	SENSOR, T-MAP, DSS3-TF	1
5	1006072	INJ-FUEL,EV14COMPACT,200G [INCL. O-RINGS]	2
5	1003392	O-RING-BOSCH,EV-14,UPPER, BLUE	2
5	1045283	O-RING GREEN, LOWER	2
6	1040447	CLIP, INTAKE ROUTING	3
7	1040444	SCR-1/4X2 HI/LO-PH-PN TRX-M	4
8	1045728	SCR-TXWH-6MMX20MM DELTA PT CLR	2
9	1040448	SCREW-PLASTITE,4.5MM	3
10	1040441	SCREW-PLASTITE,5.0MMX20-PN-T25	1
11	1039614	CLAMP, BAND, NARROW	2
12	1039746	SCR-HXFL-M8X1.25X60 8.8 ZOD	1
13	1014499	NUT- M8X1.25, FLG, NYLOC-OLIVE D	1
14	1040445	LIMITER-COMPRESSION,AF.0113666	1
15	1040442	GASKET-ETC,EN.0113664	1
16	1040446	GROMMET-LX.0113665	1

ENGINE, AIR INTAKE SYSTEM

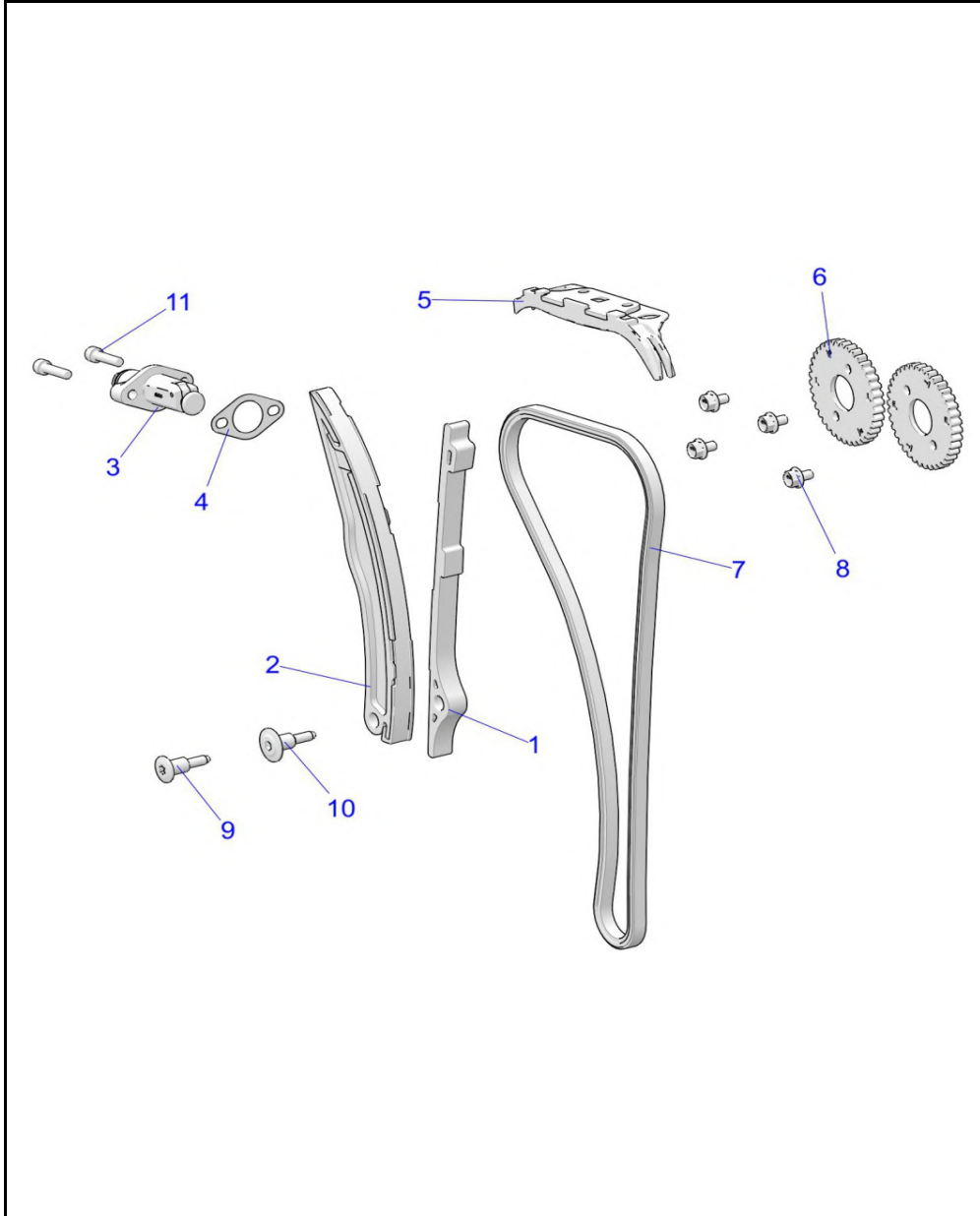
ASSEMBLIES : 2022 RGR RANGER XP 1000 EPS EU/TR/ZUG (R02) - R22RRS99C9/CK/CM/F9/FM/EF9/EFM/PCG/E99FM/E99PM



POS	SAP	Part Name	Qty
1	1046915	ASM-AIRBOX COVER	1
2	1046916	AIRBOX	1
3	1039544	PLUG, DRAIN, HC	1
4	1039620	SPRINGBAND-CLAMP 27/12, GREEN	4
5	1029995	ASM-AIRBOX CLIP	5
6	1046918	SEAL-AIRBOX	1
7	1014084	FILTER, AIR	1
8	1033329	CLAMP-HOSE SLOTTED, 60-80 DIA	3
9	-----	PLUG-AIR BOX, MUDDER	2
10	1046919	DECAL-CAUT. AIR BOX	1
10	1039652	DECAL-WARN, INTAKE	1
11	1046920	HOSE-JOINT	1
12	1046921	HOSE-AIRBOX TO TUNNEL	1
13	1046922	DUCT-TUNNEL	1
14	1046923	DUCT-INTAKE, FRONT	1
15	1046924	CLAMP, BAND, NARROW, 70-90MM	2
16	1046925	CLAMP-HOSE SLOTTED, 75-90 DIA	3
17	1040438	WASHER-.28 X .81 X .06, ST-M	2
18	1014589	RIVET-TUFLOK,.315-.325X.787	5
19	1046926	HOSE-VENT, ENGINE	1
20	1046927	ASM-AIRBOX TO PLENUM [INCL. 21-23]	1
21	1046928	HOSE-AIRBOX TO PLENUM	1
22	1046929	FITTING-3/4 DOUBLE BARB	1
23	1046930	CLAMP-HOSE	1
24	1039683	SCR-M6X1.0X20, HXHD, FLG, TDFM, BK	2

ENGINE, CAM CHAIN And TENSIONER

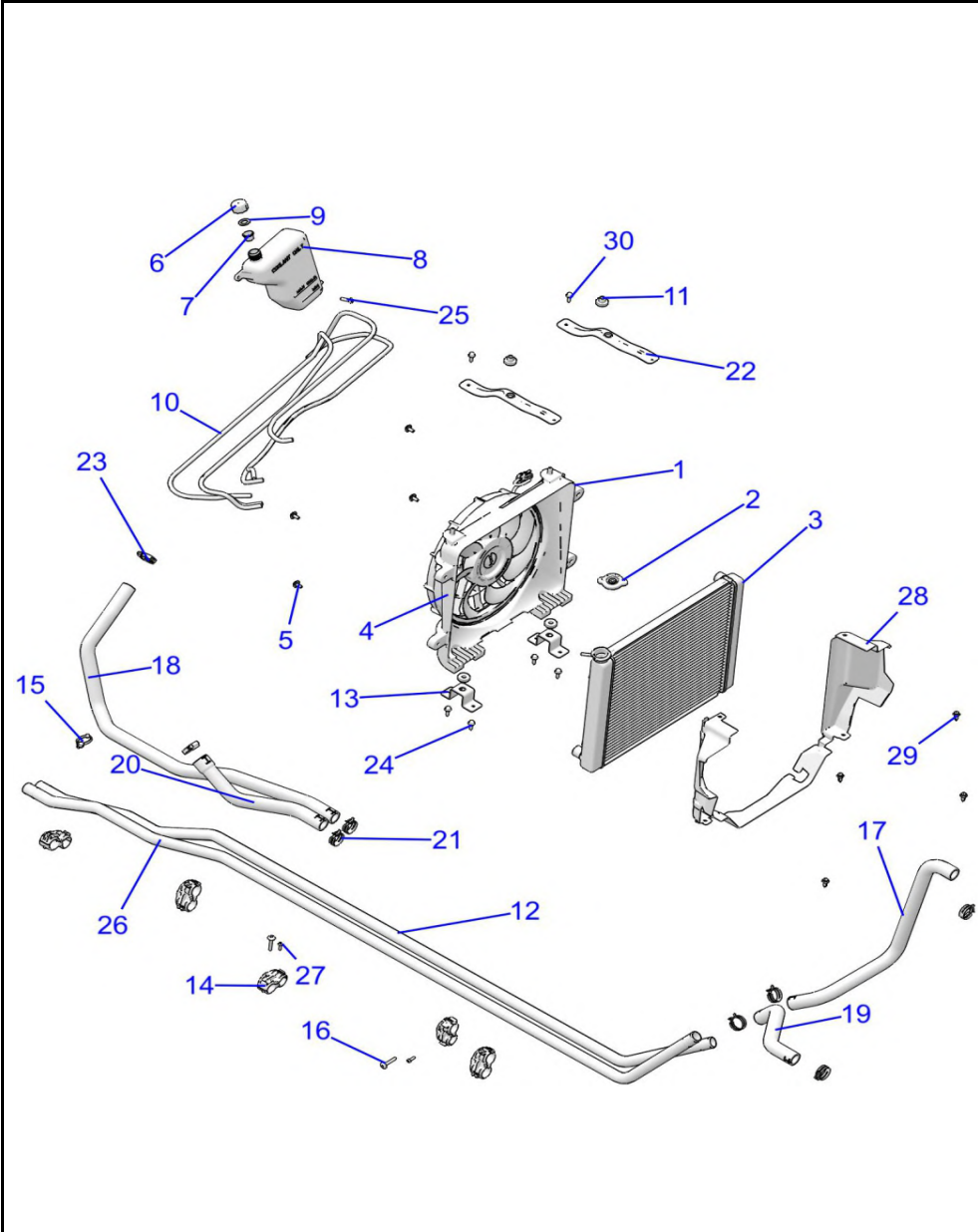
ASSEMBLIES : 2022 RGR RANGER XP 1000 EPS EU/TR/ZUG (R02) - R22RRS99C9/CK/CM/F9/FM/EF9/EFM/PCG/E99FM/E99PM



POS	SAP	Part Name	Qty
1	1007004	GUIDE, CAMCHAIN, FIXED	1
2	1007005	GUIDE, CAMCHAIN, TENSIONER	1
3	1030447	TENSIONER-RATCHETING,MECH	1
4	1039603	GASKET, TENSIONER	1
5	1039411	GUIDE-CAMCHAIN, TOP, ARC	1
6	1039417	SPROCKET, CAM, DRIVEN, DOHC	2
7	1007398	CHAIN, CAMSHAFT	1
8	1039728	SCREW-HXFL, M6X1.0X10 10.9	4
9	1039730	SCREW-TXPH-M6X1.0X14 8.8 A2K SHB	1
10	1039765	BOLT-SHLDR, M6X14X40	1
11	1039713	SCREW-SH-M6X1.0X25 10.9 ZPC D204	2

ENGINE, COOLING SYSTEM

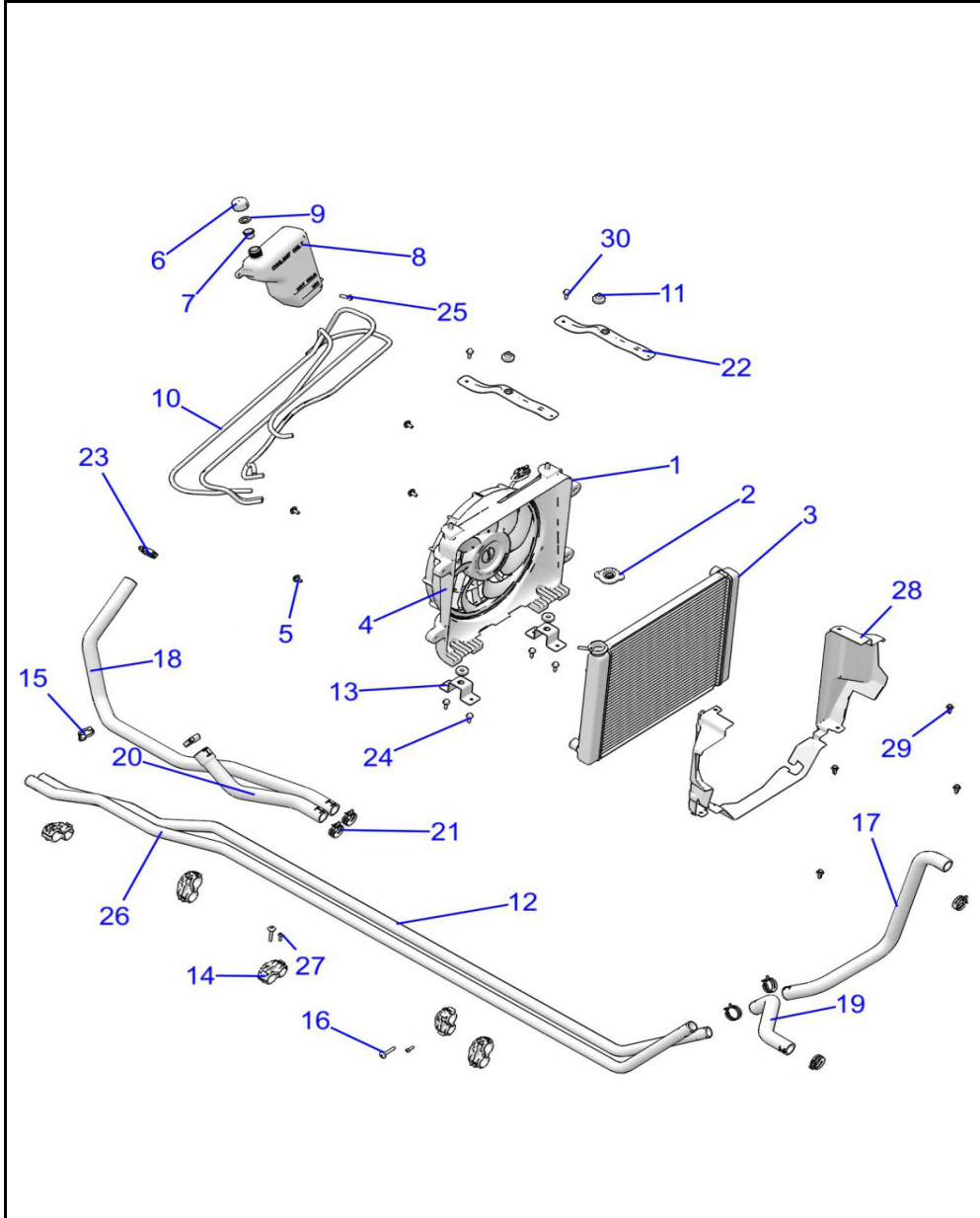
ASSEMBLIES : 2022 RGR RANGER XP 1000 EPS EU/TR/ZUG (R02) - R22RRS99C9/CK/CM/F9/FM/EF9/EFM/PCG/E99FM/E99PM



POS	SAP	Part Name	Qty
1	1046931	ASM., RADIATOR [INCL. DECAL, 2-5]	1
1	1047471	K-ASM-RADIATOR,EU [INCL. DECAL][EF9]P[EFM]	
1	1045713	DECAL-WARN,RADIATOR,EU [EFM][EF9]	1
2	1002468	CAP, RADIATOR	1
3	1046932	ASM., RADIATOR, CORE	1
4	1046933	FAN ASSEMBLY	1
5	1039757	BOLT, M6X15MM	4
6	1011820	CAP, OVER FLOW BOTTLE, DRILLED	1
7	1011824	CAP,PLUG9X(GRN),FLEX TEMP(10)	1
8	1039565	TANK, SURGE	1
9	1012347	GASKET, OVER FLOW CAP	1
10	1045239	FUEL LINE-95 CENTIMETERS	AR
11	1039287	GROMMET-FLANGED,.36X.56X1.06	4
12	1046934	TUBE-COOLANT,1"	1
13	1047472	BRKT-RADIATOR MNT,LWR,BLK	2
13	1046935	BRKT-RADIATOR MNT,LWR,BLK [PCG]	2
14	1046936	CLIP-COOLANT ROUTING	AR
15	1014065	CLIP-ROUTING	1
16	1039714	SCR-TXTH-M6X1.0X50, 8.8, ZPB	2
17	1046937	HOSE-UPPER,RAD	1
18	1046938	HOSE-ENG,OUT	1
19	1046939	HOSE-LOWER,RAD	1
20	1046940	HOSE-ENG,IN [SCM]	1
21	1039621	SPRINGBAND-CLAMP 35/12,BLK	6
22	1046941	BRKT-RADIATOR MOUNT,BLK	2
23	1039628	CLAMP, HOSE (WORM DR) 25-40MM	2
24	1014437	SCR-M6X1X16 TR/TX-M	4
25	1039666	SCREW, #14X1 HI/LO-PH-PN TRX-M	2
26	1047475	TUBE-COOLANT,1",UPPER	1
27	1014423	SCREW-#10X3/4-HI/LO-PN-T25,TRX-M	2

ENGINE, COOLING SYSTEM

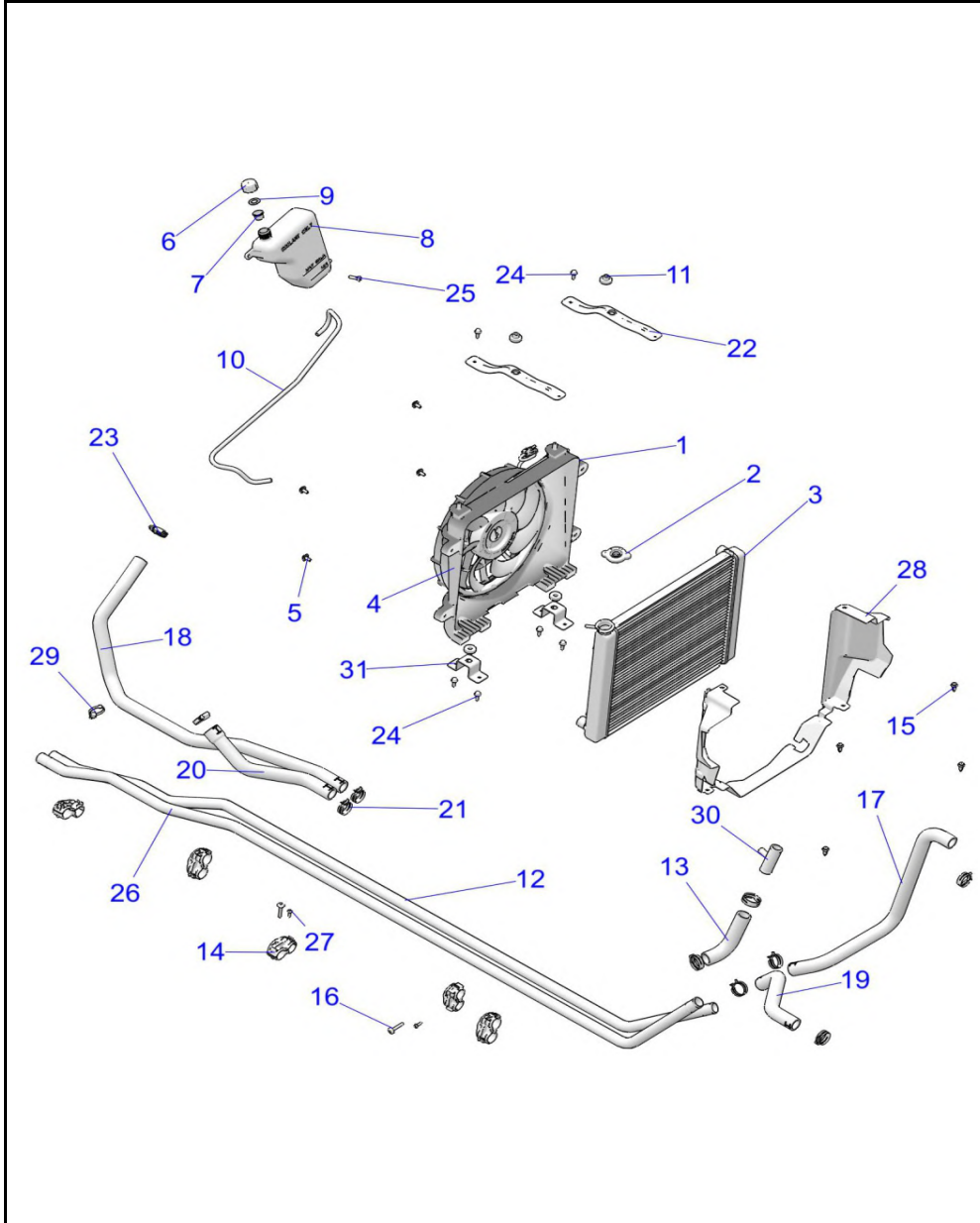
ASSEMBLIES : 2022 RGR RANGER XP 1000 EPS EU/TR/ZUG (R02) - R22RRS99C9/CK/CM/F9/FM/EF9/EFM/PCG/E99FM/E99PM



POS	SAP	Part Name	Qty
28	1048480	SHROUD-RADIATOR,FRONT,BLK	1
29	1014589	RIVET-TUFLOK,.315-.325X.787	4
30	1039683	SCR-M6X1.0X20, HXHD, FLG, TDFM, BK	2

ENGINE, COOLING SYSTEM

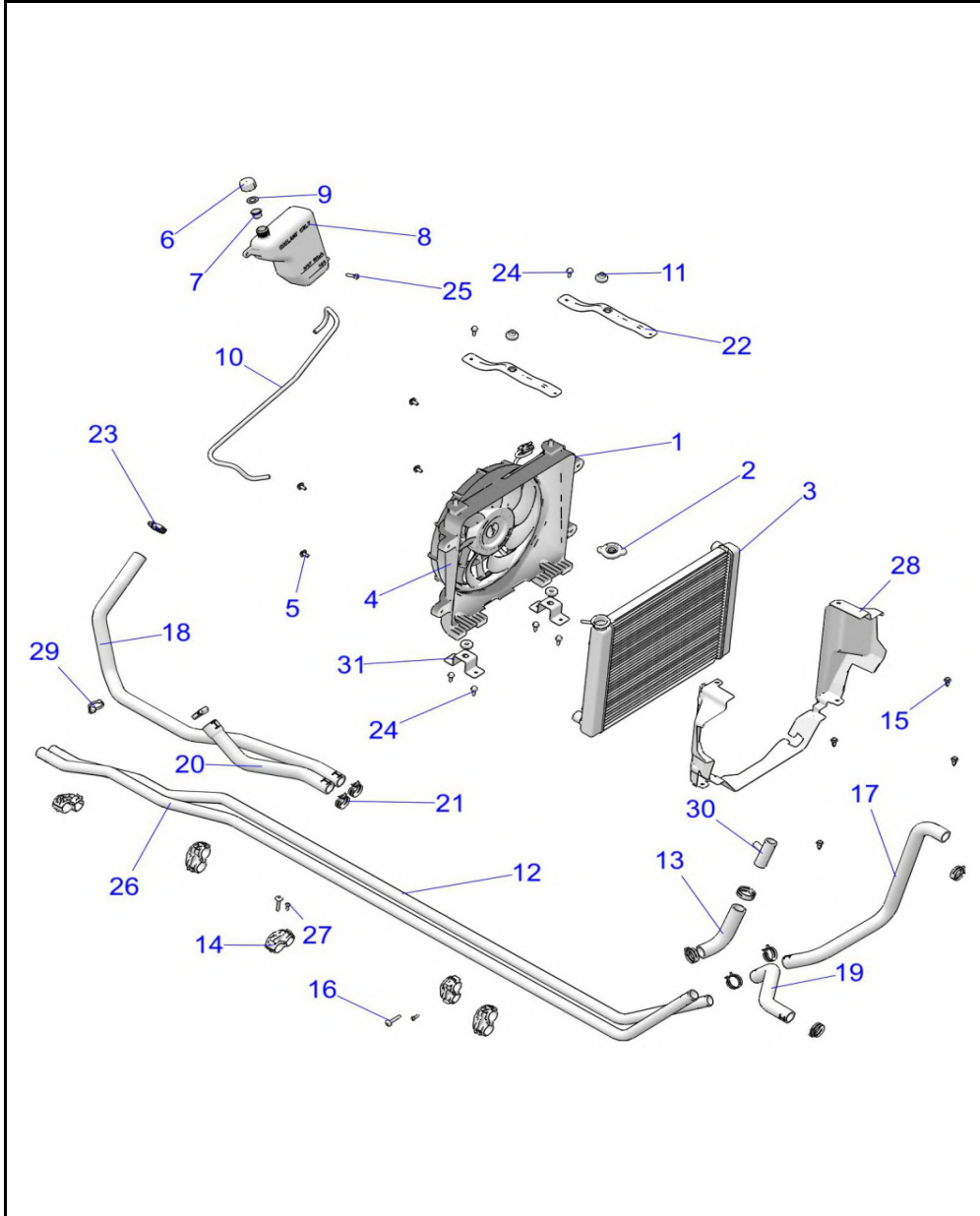
ASSEMBLIES : 2022 RGR RANGER XP 1000 EPS EU/TR/ZUG (R02) - R22RRS99C9/CK/CM/F9/FM/EF9/EFM/PCG/E99FM/E99PM



POS	SAP	Part Name	Qty
1	1046931	ASM., RADIATOR [INCL. 2-5]	1
2	1002468	CAP, RADIATOR	1
3	1046932	ASM., RADIATOR, CORE	1
4	1046933	FAN ASSEMBLY	1
5	1039757	BOLT, M6X15MM	4
6	1011820	CAP, OVER FLOW BOTTLE, DRILLED	1
7	1011824	CAP,PLUG9X(GRN),FLEX TEMP(10)	1
8	1039565	TANK, SURGE	1
9	1012347	GASKET, OVER FLOW CAP	1
10	1045239	FUEL LINE-95 CENTIMETERS	AR
11	1039287	GROMMET-FLANGED,.36X.56X1.06	4
12	1046934	TUBE-COOLANT,1"	1
13	1047473	HOSE-COOLANT,3WAY-HEATER	1
14	1046936	CLIP-COOLANT ROUTING	2
15	1014589	RIVET-TUFLOK,.315-.325X.787	4
16	1039714	SCR-TXTH-M6X1.0X50, 8.8, ZPB	2
17	1046937	HOSE-UPPER,RAD	1
18	1046938	HOSE-ENG,OUT	1
19	1047474	HOSE-COOLANT,3WAY-HEATER	1
20	1046940	HOSE-ENG,IN	1
21	1039621	SPRINGBAND-CLAMP 35/12,BLK	10
22	1046941	BRKT-RADIATOR MOUNT,BLK	2
23	1039628	CLAMP, HOSE (WORM DR) 25-40MM	2
24	1039683	SCR-M6X1.0X20, HXHD, FLG, TDFM, BK	6
25	1039666	SCREW, #14X1 HI/LO-PH-PN TRX-M	2
26	1047475	TUBE-COOLANT,1",UPPER	1
27	1014423	SCREW-#10X3/4-HI/LO-PN-T25,TRX-M	2
28	1048480	SHROUD-RADIATOR,FRONT,BLK	1
29	1014065	CLIP-ROUTING	1
30	1045997	CONNECTOR-TEE,1X1X0.5	1

ENGINE, COOLING SYSTEM

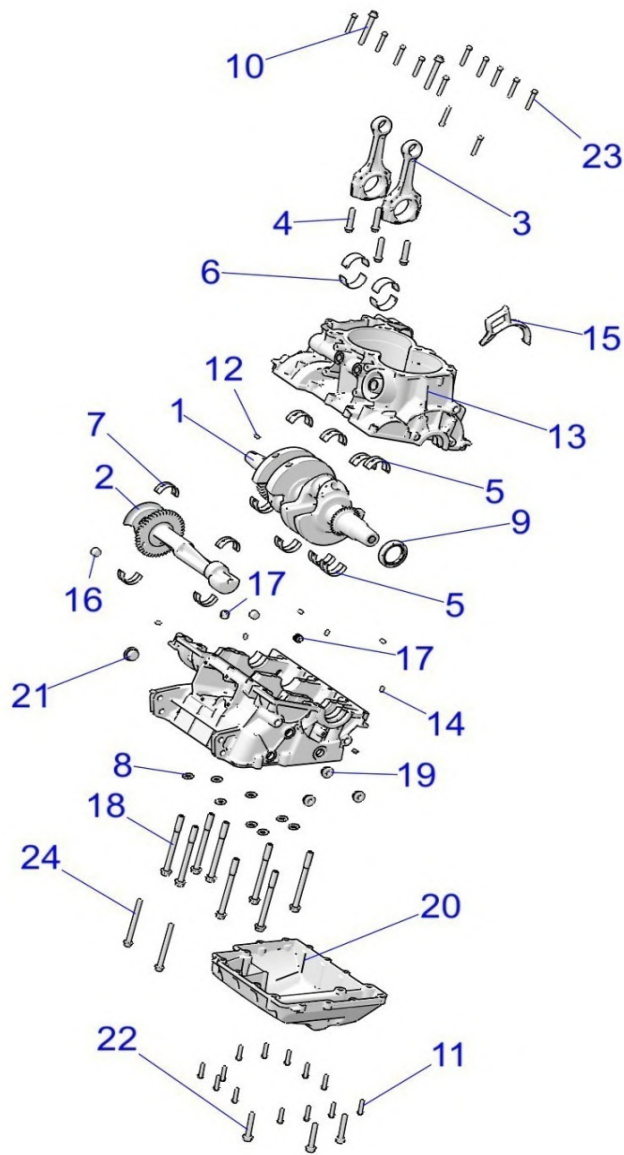
ASSEMBLIES : 2022 RGR RANGER XP 1000 EPS EU/TR/ZUG (R02) - R22RRS99C9/CK/CM/F9/FM/EF9/EFM/PCG/E99FM/E99PM



POS	SAP	Part Name	Qty
31	1047472	BRKT-RADIATOR MNT,LWR,BLK	2

ENGINE, CRANKCASE And CRANKSHAFT

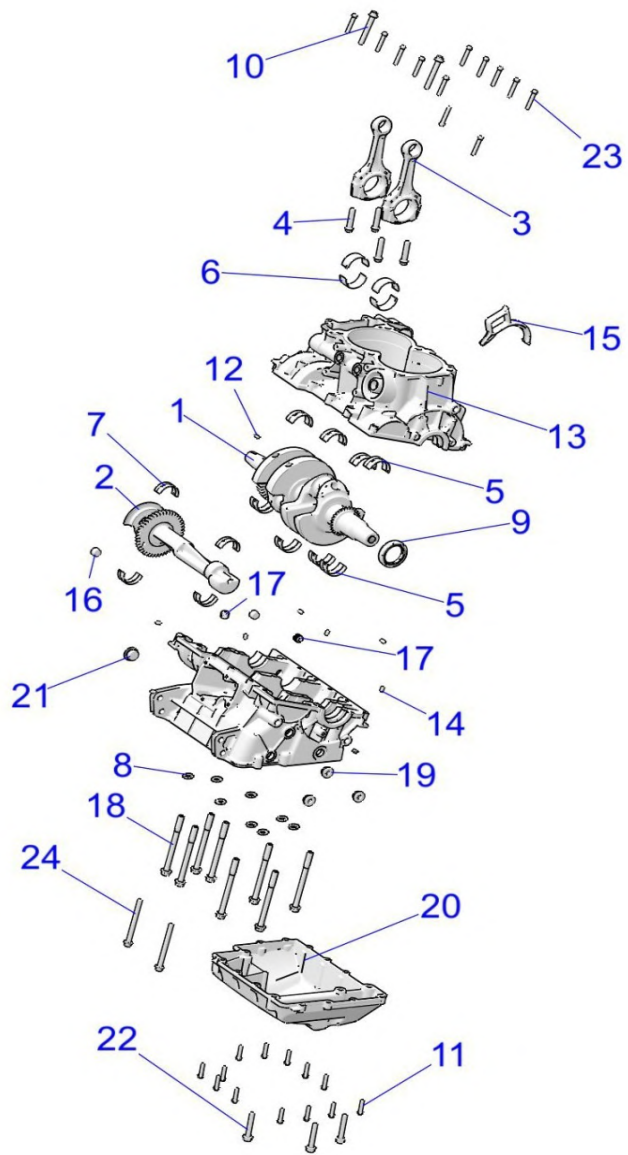
ASSEMBLIES : 2022 RGR RANGER XP 1000 EPS EU/TR/ZUG (R02) - R22RRS99C9/CK/CM/F9/FM/EF9/EFM/PCG/E99FM/E99PM



POS	SAP	Part Name	Qty
1	1047477	ASM-CRANKSHAFT [EF9][EFM][PCG][SC9][SCM][SF9][SFM]	1
1	1045245	ASM., CRANKSHAFT [SCK]	1
2	1039348	ASM., BALANCE SHAFT	1
3	1028601	ASM-CONNECTING ROD,CLN [INCL. 4]	2
4	1039762	SCR-ROD,MJ9X1X40-4H6H,12.9	4
5	1028584	BEARING-MAIN,G-90,41MM	8
5	1028585	BEARING, MAIN, BLUE	8
5	1028586	BEARING, MAIN, GREEN	7
5	1028587	BEARING, MAIN, YELLOW	7
5	1028588	BEARING, MAIN, RED	7
6	1028589	BEARING, CONNECTING ROD, WHITE	4
6	1028590	BEARING, CONNECTING ROD, BLUE	4
6	1028591	BEARING, CONNECTING ROD, GREEN	4
6	1028592	BEARING, CONNECTING ROD, YELLOW	4
7	1028596	BEARING, BALANCE SHAFT	4
8	-----	WASHER	8
9	1028602	SEAL-CRANKSHAFT	1
10	1039731	SCR-HXFLG,M8X1.25X60	2
11	1039744	SCREW-HXFLG,M6X1.0X25,10.9	13
12	1014636	KEY,WOODRUFF(10)	1
13	1046946	K-CRANKCASE 3023497 [INCL. 14-19,21,23,24]	1
14	1045248	PIN, DOWEL	8
15	1045249	DIVERTER, OIL DRAIN	1
16	1039610	PLUG-3/8 NPT,HX/SOC W/SEALANT	2
17	1039708	PLUG-HEX SOCKET,1/4X18,SEALANT	2
18	1045250	SCR-HXFL,M10X1.25X113MM 10.9 [INCL. 8]	8
19	1045714	PLUG-HEX SCKT,W/O-RING,M16X1.5	3
20	1045251	COVER-SUMP,MACH	1
21	1039611	PLUG-HEX SCKT,W/O-RING,M20X1.5	1
22	1039664	SCR-M8X1.25X50 HX/FL-Y	3

ENGINE, CRANKCASE And CRANKSHAFT

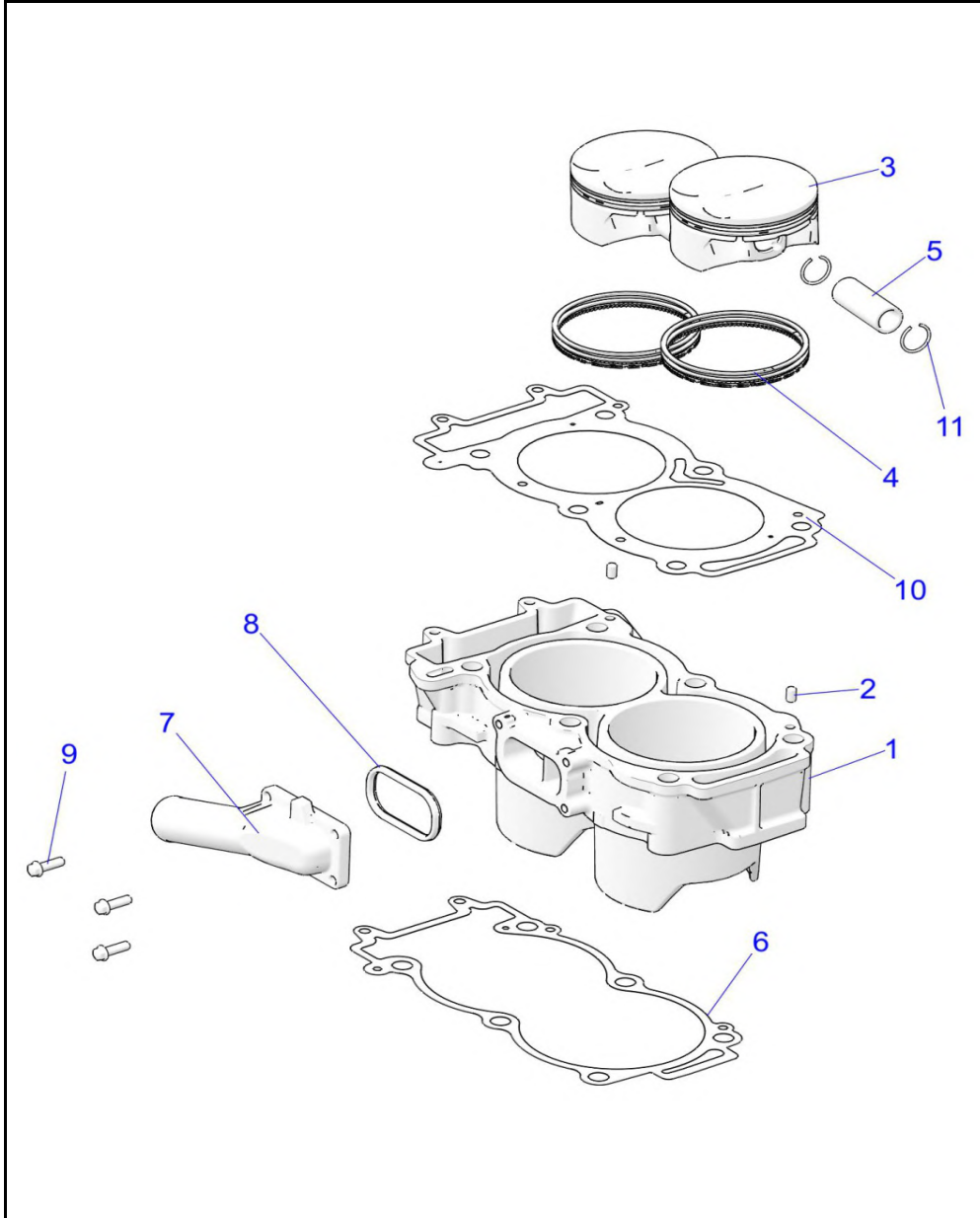
ASSEMBLIES : 2022 RGR RANGER XP 1000 EPS EU/TR/ZUG (R02) - R22RRS99C9/CK/CM/F9/FM/EF9/EFM/PCG/E99FM/E99PM



POS	SAP	Part Name	Qty
23	1039699	SCR-HXFL-M6X1.0X35 8.8 ZY3	12
24	1039727	SCR-HXFLG,M8X1.25X90	2

ENGINE, CYLINDER And PISTON

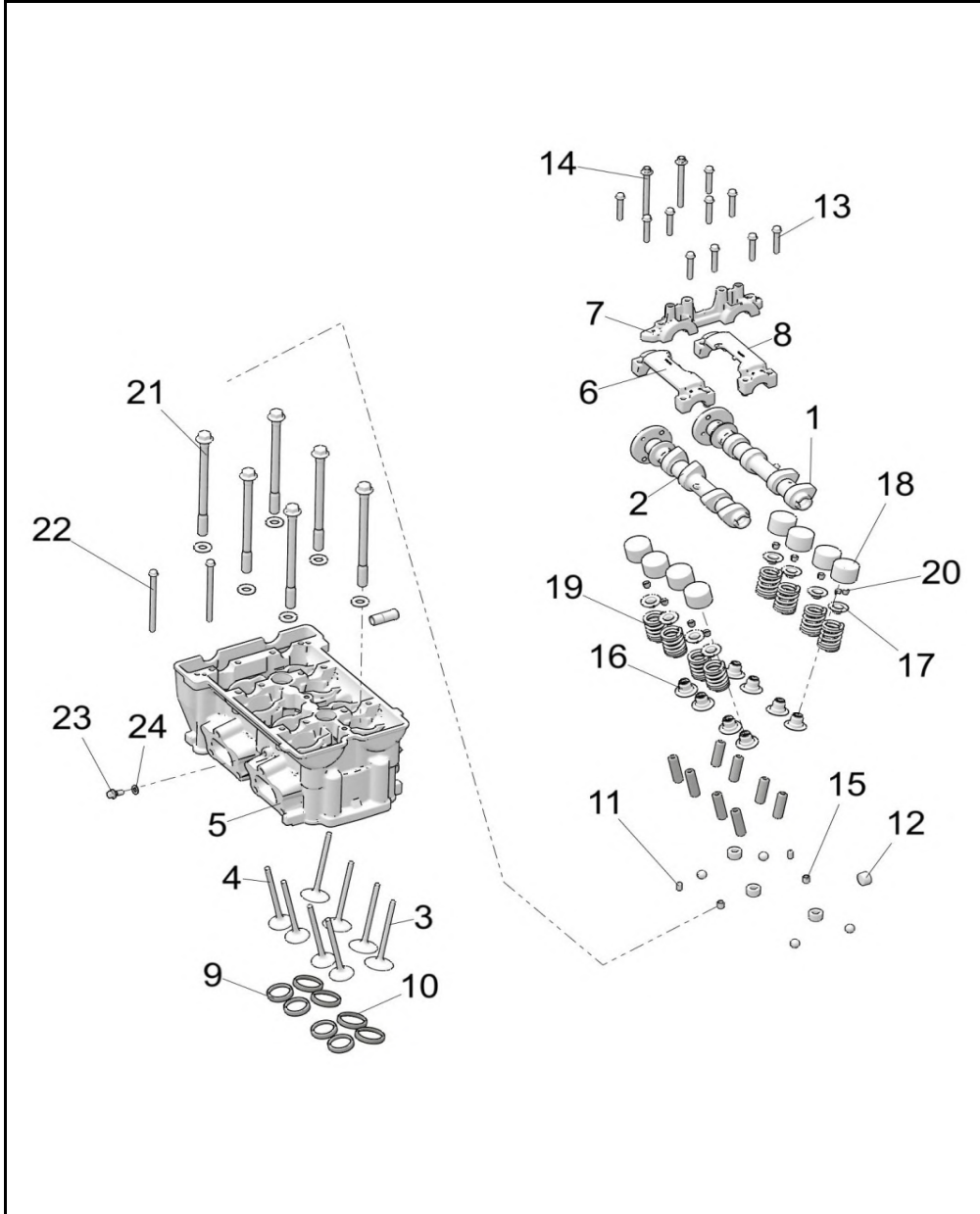
ASSEMBLIES : 2022 RGR RANGER XP 1000 EPS EU/TR/ZUG (R02) - R22RRS99C9/CK/CM/F9/FM/EF9/EFM/PCG/E99FM/E99PM



POS	SAP	Part Name	Qty
1	1039415	ASM-CYLINDER,999 [INCL. 2]	1
2	1039498	PIN, DOWEL, M6x10	2
3	1045715	ASM-PISTON [INCL. 4,5,11]	2
4	1039377	KIT, PISTON RINGS	2
5	1039406	PIN, PISTON	2
6	1028599	GASKET, BASE, 2 CYL	1
7	1039588	COVER, WATER INLET, CAST	1
8	1039596	GASKET, WATER, INLET	1
9	1039698	SCREW-HXFL-M6X1.0X20 8.8 ZY3	3
10	1028598	GASKET, CYLINDER, HEAD	1
11	1040420	RING-RTG,ROUND,20.0X1.6	4

ENGINE, CYLINDER HEAD And VALVES

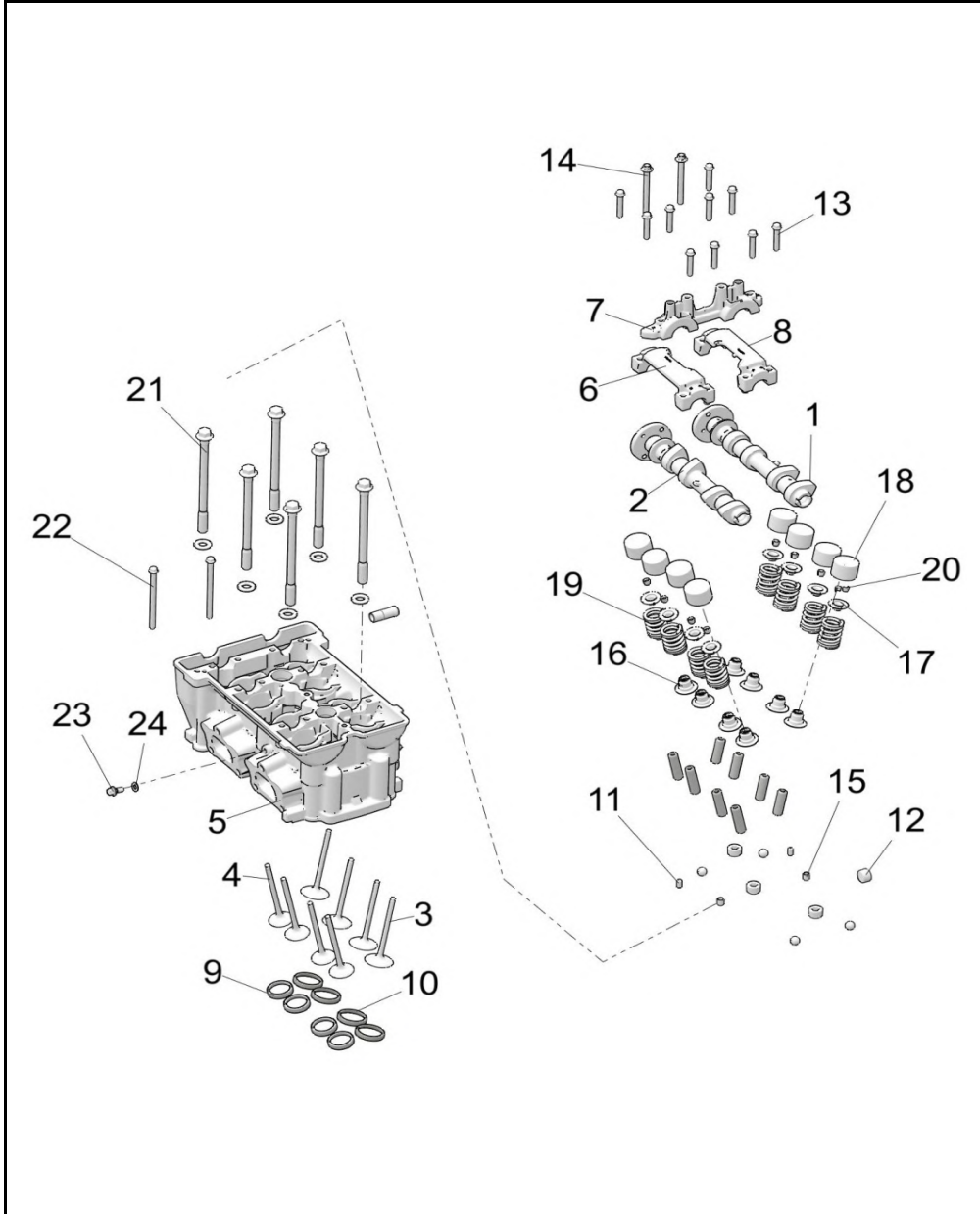
ASSEMBLIES : 2022 RGR RANGER XP 1000 EPS EU/TR/ZUG (R02) - R22RRS99C9/CK/CM/F9/FM/EF9/EFM/PCG/E99FM/E99PM



POS	SAP	Part Name	Qty
1	1046948	ASM-CAMSHAFT,INTAKE,875-218	1
2	1046949	ASM-CAMSHAFT,EXHAUST,800-208	1
3	1040091	VALVE, INTAKE	4
4	1039407	VALVE, EXHAUST	4
5	1040089	ASM., CYLINDER HEAD [INCL. 6-15]	1
6	-----	CARRIER, CAMSHAFT, DOHC, EXHAUST [INCL. IN CYLINDER HEAD ASM.]	1
7	-----	CARRIER, CAMSHAFT, DOHC, TRANS [INCL. IN CYLINDER HEAD ASM.]	1
8	-----	CARRIER, CAMSHAFT, DOHC, INTAKE [INCL. IN CYLINDER HEAD ASM.]	1
9	-----	GUIDE, VALVE, INTAKE [INCL. IN CYLINDER HEAD ASM.]	4
10	-----	GUIDE, VALVE, EXHAUST [INCL. IN CYLINDER HEAD ASM.]	4
11	1040428	PIN-DOWEL,M6X10	2
12	1045256	PLUG-PIPE,M16,DIN	4
13	1040426	SCREW	10
14	1040427	SCREW	2
15	1040425	DOWEL, HOLLOW M8X8	4
16	1008817	SEAT, W/SEAL, VALVE SPRING	8
17	1039504	RETAINER, VALVE	8
18	1039838	TAPPET, VALVE, GRADED, 4.400	AR
18	1039839	TAPPET, VALVE, GRADED, 4.425	AR
18	1039840	TAPPET, VALVE, GRADED, 4.450	AR
18	1039841	TAPPET, VALVE, GRADED, 4.475	AR
18	1039842	TAPPET, VALVE, GRADED, 4.500	AR
18	1039843	TAPPET, VALVE, GRADED, 4.525	AR
18	1039844	TAPPET, VALVE, GRADED, 4.550	AR
18	1039845	TAPPET, VALVE, GRADED, 4.575	AR
18	1039846	TAPPET, VALVE, GRADED, 4.600	AR
18	1039847	TAPPET, VALVE, GRADED, 4.625	AR

ENGINE, CYLINDER HEAD And VALVES

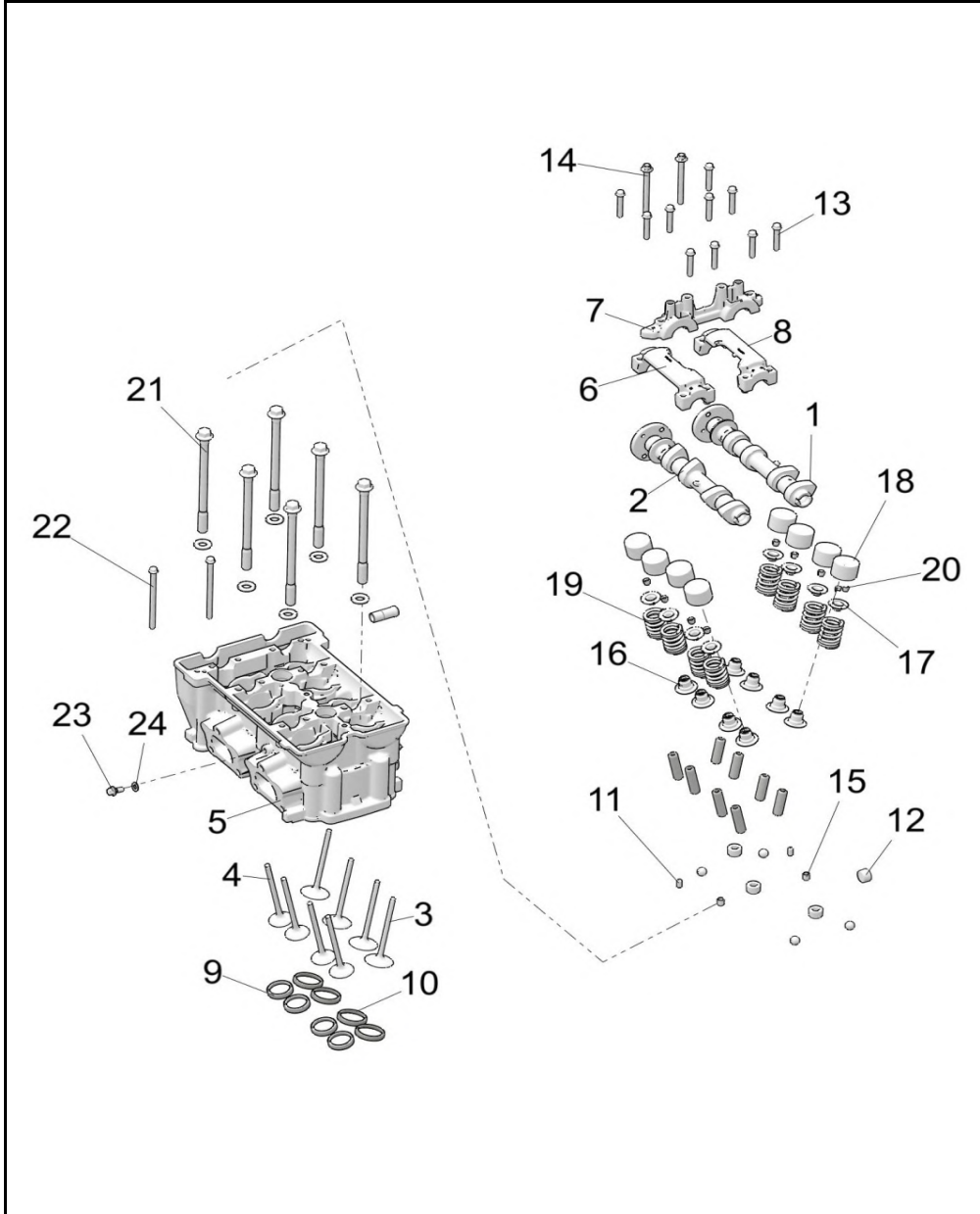
ASSEMBLIES : 2022 RGR RANGER XP 1000 EPS EU/TR/ZUG (R02) - R22RRS99C9/CK/CM/F9/FM/EF9/EFM/PCG/E99FM/E99PM



POS	SAP	Part Name	Qty
18	1039848	TAPPET, VALVE, GRADED, 4.650	AR
18	1039849	TAPPET, VALVE, GRADED, 4.675	AR
18	1041355	TAPPET, VALVE, GRADED, 4.700	AR
18	1039851	TAPPET, VALVE, GRADED, 4.725	AR
18	1039852	TAPPET, VALVE, GRADED, 4.750	AR
18	1039853	TAPPET, VALVE, GRADED, 4.775	AR
18	1039854	TAPPET, VALVE, GRADED, 4.800	AR
18	1039855	TAPPET, VALVE, GRADED, 4.825	AR
18	1039856	TAPPET, VALVE, GRADED, 4.850	AR
18	1039857	TAPPET, VALVE, GRADED, 4.875	AR
18	1039858	TAPPET, VALVE, GRADED, 4.900	AR
18	1039859	TAPPET, VALVE, GRADED, 4.925	AR
18	1039860	TAPPET, VALVE, GRADED, 4.950	AR
18	1039861	TAPPET, VALVE, GRADED, 4.975	AR
18	1039862	TAPPET, VALVE, GRADED, 5.000	AR
18	1039863	TAPPET, VALVE, GRADED, 5.025	AR
18	1039864	TAPPET, VALVE, GRADED, 5.050	AR
18	1039865	TAPPET, VALVE, GRADED, 5.075	AR
18	1039866	TAPPET, VALVE, GRADED, 5.100	AR
18	1039867	TAPPET, VALVE, GRADED, 5.125	AR
18	1039868	TAPPET, VALVE, GRADED, 5.150	AR
18	1039869	TAPPET, VALVE, GRADED, 5.175	AR
18	1039870	TAPPET, VALVE, GRADED, 5.200	AR
18	1039871	TAPPET, VALVE, GRADED, 5.225	AR
18	1039872	TAPPET, VALVE, GRADED, 5.250	AR
18	1039873	TAPPET, VALVE, GRADED, 5.275	AR
18	1039874	TAPPET, VALVE, GRADED, 5.300	AR
18	1039875	TAPPET, VALVE, GRADED, 5.325	AR
18	1039876	TAPPET, VALVE, GRADED, 5.350	AR
18	1039877	TAPPET, VALVE, GRADED, 5.375	AR

ENGINE, CYLINDER HEAD And VALVES

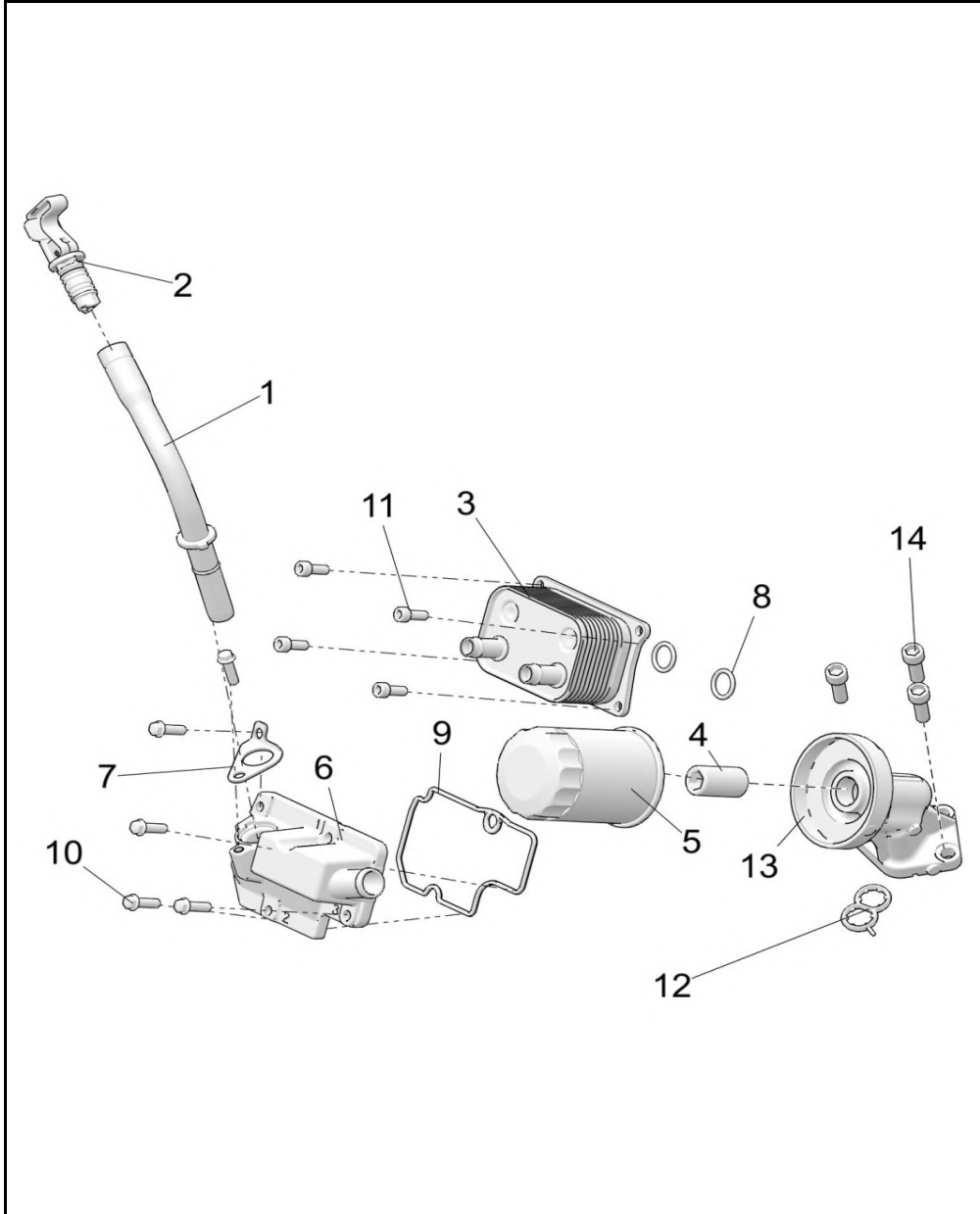
ASSEMBLIES : 2022 RGR RANGER XP 1000 EPS EU/TR/ZUG (R02) - R22RRS99C9/CK/CM/F9/FM/EF9/EFM/PCG/E99FM/E99PM



POS	SAP	Part Name	Qty
18	1039878	TAPPET, VALVE, GRADED, 5.400	AR
18	1039879	TAPPET, VALVE, GRADED, 5.425	AR
18	1039880	TAPPET, VALVE, GRADED, 5.450	AR
19	1046950	SPRING, VALVE	8
20	1039631	KEEPER, VALVE	16
21	1040092	SCR-HXFL,M11X1.25X150 10.9 SEM	6
22	1014449	SCR-HXFLG,M6X1.0X90	2
23	1039764	SCR-M6X1.0X13,SL/HX/FL-Z,BLEED	1
24	1039801	WASHER-FLAT,6.15X12X1MM-AL	1

ENGINE, DIPSTICK And OIL FILTER

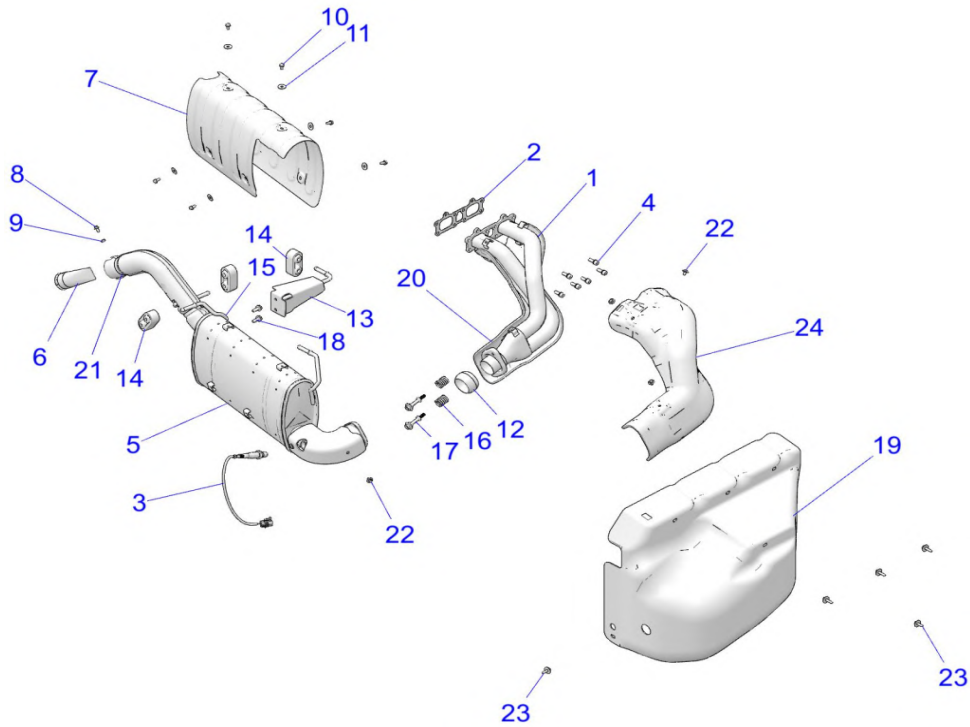
ASSEMBLIES : 2022 RGR RANGER XP 1000 EPS EU/TR/ZUG (R02) - R22RRS99C9/CK/CM/F9/FM/EF9/EFM/PCG/E99FM/E99PM



POS	SAP	Part Name	Qty
1	1039347	ASM., OIL FILL TUBE [INCL. O-RING]	1
1	1039541	O-RING, 12MMX2MM	1
2	1007016	DIPSTICK, ENGINE OIL	1
3	1040451	COOLER-OIL TO WATER,5	1
4	1039385	ADAPTER, FILTER, STRAIGHT	1
5	1006092	Filter, Oil, 10 Micron	1
6	1045261	COVER-BREATHER,MACH	1
7	1039511	BRACKET, TUBE, OIL FILL, LOWER	1
8	1039540	O-RING,.612X.818X.103	2
9	1012352	SEAL, COVER, BREATHER	1
10	1039698	SCREW-HXFL-M6X1.0X20 8.8 ZY3	5
11	1039747	SCREW-SH-M6X1.0X16 8.8 ZPY D204	4
12	1045262	SEAL-FILTER ADAPTER-3HOLE	1
13	1045263	ADAPTER-OIL FILTER, MACH	1
14	1045264	SCR-SH-M8X1.25X25 8.8 ZPC NYL	3

ENGINE, EXHAUST SYSTEM

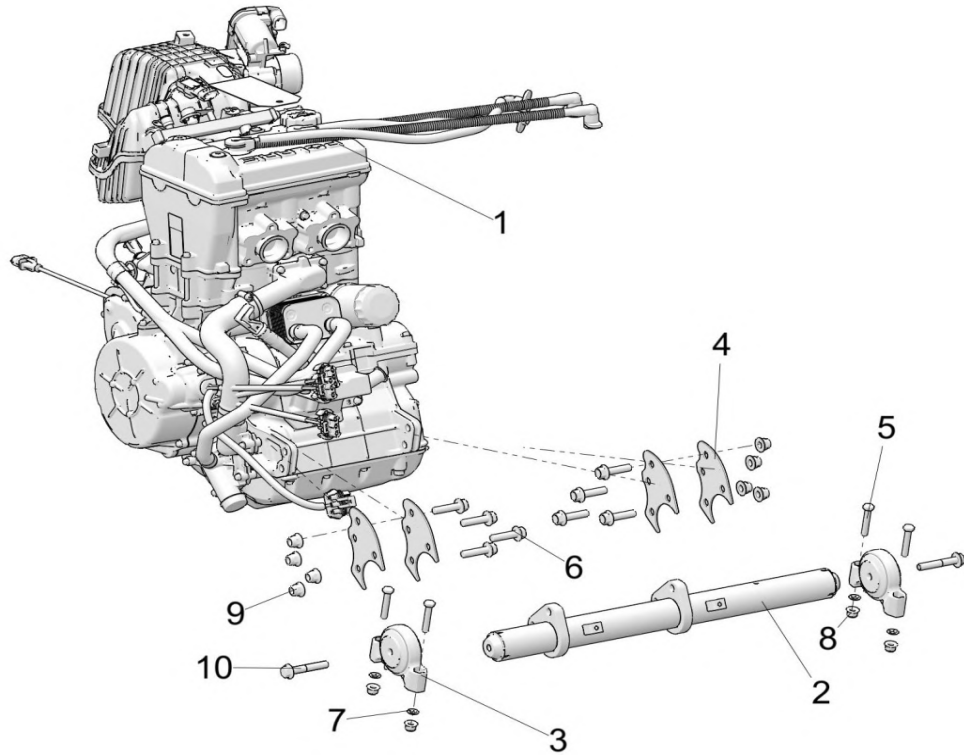
ASSEMBLIES : 2022 RGR RANGER XP 1000 EPS EU/TR/ZUG (R02) - R22RRS99C9/CK/CM/F9/FM/EF9/EFM/PCG/E99FM/E99PM



POS	SAP	Part Name	Qty
1	1046952	ASM., HEADPIPE [INCL. 22]	1
2	1008814	GASKET, EXHAUST SEAL	1
3	1009569	SENSOR, LAMBDA, LSF 4.2	1
4	1039711	SCR-HXFL-M5X0.8X12 4.8 ZPC NYL	6
5	1046953	ASM-SILENCER	1
6	1040436	WELD-SPARK ARRESTOR,AVA875	1
7	1046954	SILENCER, SHIELD	1
8	1039661	SCREW-HXFL-M6X1.0X12 10.9 ZPC	1
9	1039777	NUT-HEXHD,M6,DIN980V,0600100	1
10	1040437	SCR-1/4-20X1/2,TFM HW-M	6
11	1040438	WASHER-.28 X .81 X .06, ST-M	11
12	1008819	GASKET-DOUBLE SPHERICAL,2"	1
13	1046955	WELD-EXHAUST HANGER,BLK	1
14	1011852	MOUNT, ISOLATOR	3
15	1046956	EXHAUST-HANGER,SILENCER	1
16	1048482	SPRING-SPHERICAL,EXH,INC 718	2
17	1014477	STUD, SPHERICAL, EXHAUST	2
18	1039688	SCR-TFHFL-M8X1.25X20 CHS ZOD	2
19	1046957	SHIELD-HEAT,FULL,RGR	1
20	1046959	SHIELD-HEADPIPE,BTM	1
21	1039632	CLAMP, HEAT SHIELD, EXHAUST	2
22	1014484	SCR-HHSEMS-M6X1.0X10 A286,LOCK	10
23	1047547	SCR-HXFL-M6X1.0X25 8.8 ZPB SEM	5
24	1046958	SHIELD-HEADPIPE,TOP	1

ENGINE, MOUNTING

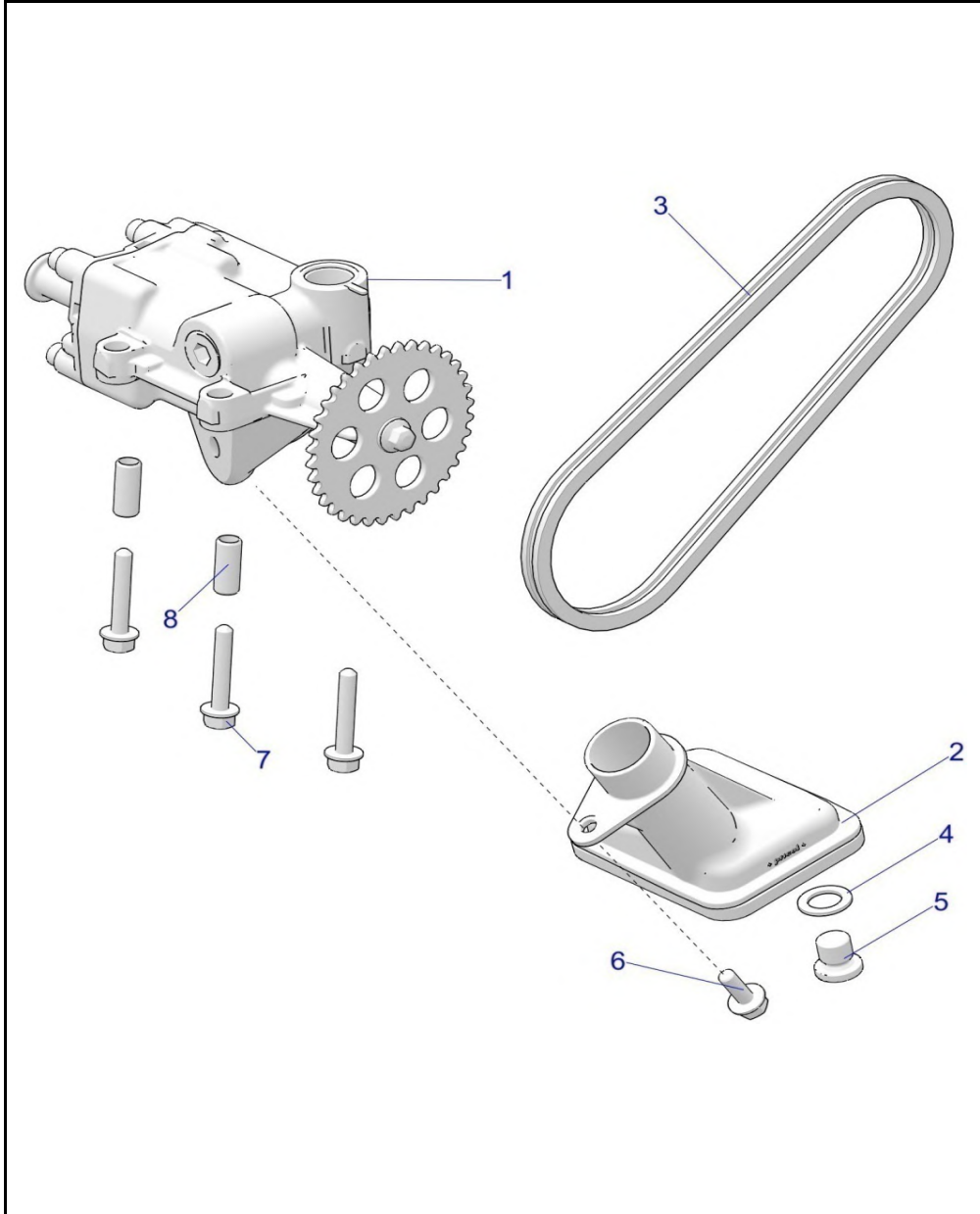
ASSEMBLIES : 2022 RGR RANGER XP 1000 EPS EU/TR/ZUG (R02) - R22RRS99C9/CK/CM/F9/FM/EF9/EFM/PCG/E99FM/E99PM



POS	SAP	Part Name	Qty
1	-----	K-LONG BLOCK 999	1
2	1045273	WELD-MOUNT,ENGINE,E.COAT	1
3	1039356	MOUNT, ISOLATOR, DRIVELINE	2
4	1039519	BRACKET, MOUNT, ENGINE	4
5	1039723	SCREW-HH M8X1.25X45 8.8 ZOD	4
6	1039751	SCR-HXFL-M10X1.25X40 8.8 ZOD	8
7	1039776	NUT-5/16-PAL-Y	4
8	1014499	NUT- M8X1.25, FLG, NYLOC-OLIVE D	5
9	1014500	NUT-M10X1.25, FLG, NYLOC-OLIVE D	8
10	1039707	SCR-HXFL-M10X1.25X60 10.9 ZOD	2

ENGINE, OIL PUMP

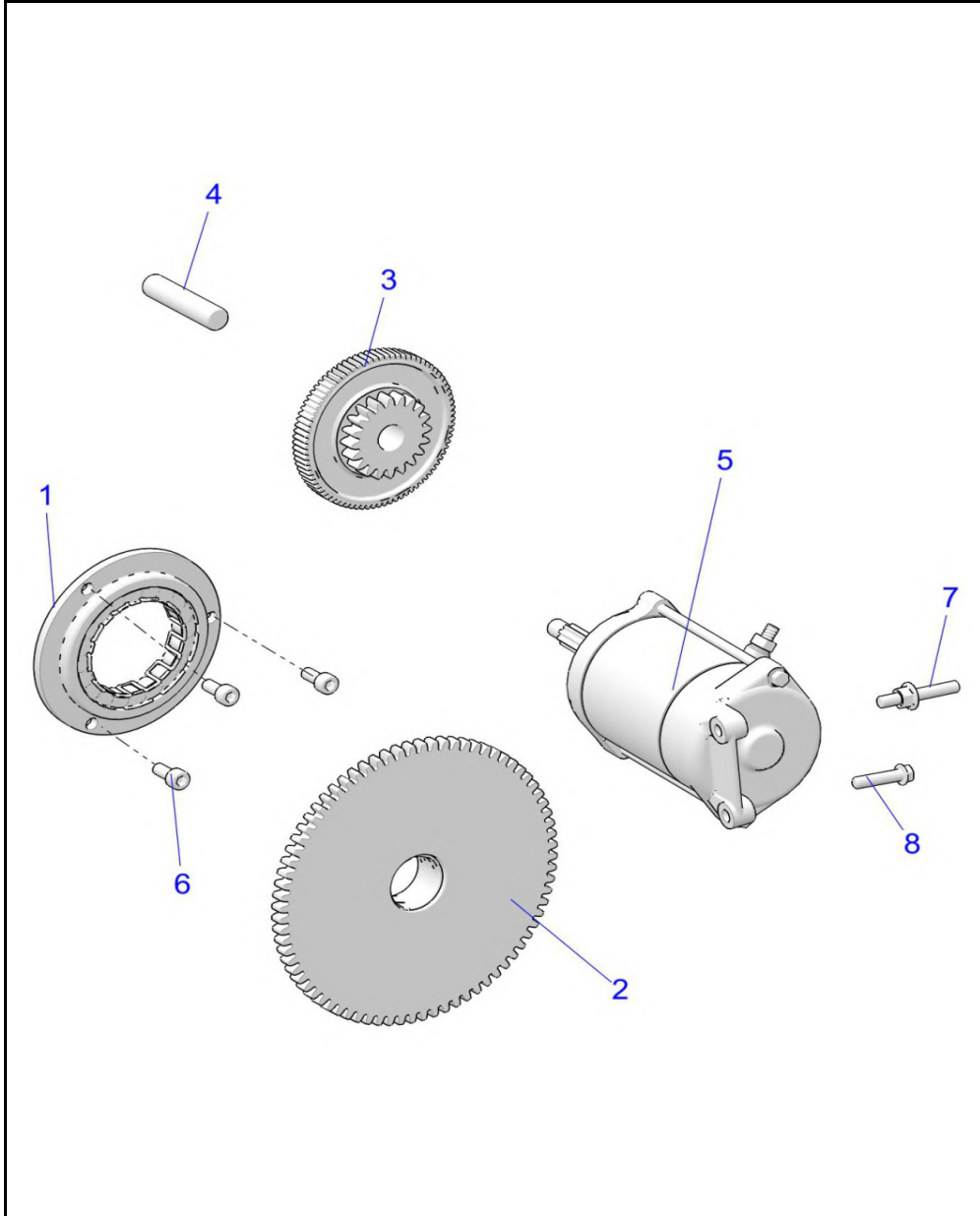
ASSEMBLIES : 2022 RGR RANGER XP 1000 EPS EU/TR/ZUG (R02) - R22RRS99C9/CK/CM/F9/FM/EF9/EFM/PCG/E99FM/E99PM



POS	SAP	Part Name	Qty
1	1046961	ASM., OIL PUMP, WET SUMP	1
2	1039386	PICKUP, OIL PUMP, WET SUMP	1
3	1039418	CHAIN-OIL PUMP DRIVE,G-90	1
4	1012351	WASHER-19X12X1.3,COPPER	1
5	1014028	PLUG-SOCKET,M12X1.5 DIN 908A	1
6	1039735	SCR-HXFL-M6X1.0X16 8.8 ZYL NYL	1
7	1039660	SCR-M6X1.0X35,HX/FL-Y/D	3
8	1039811	DOWEL, HOLLOW, OIL PUMP	2

ENGINE, STARTER

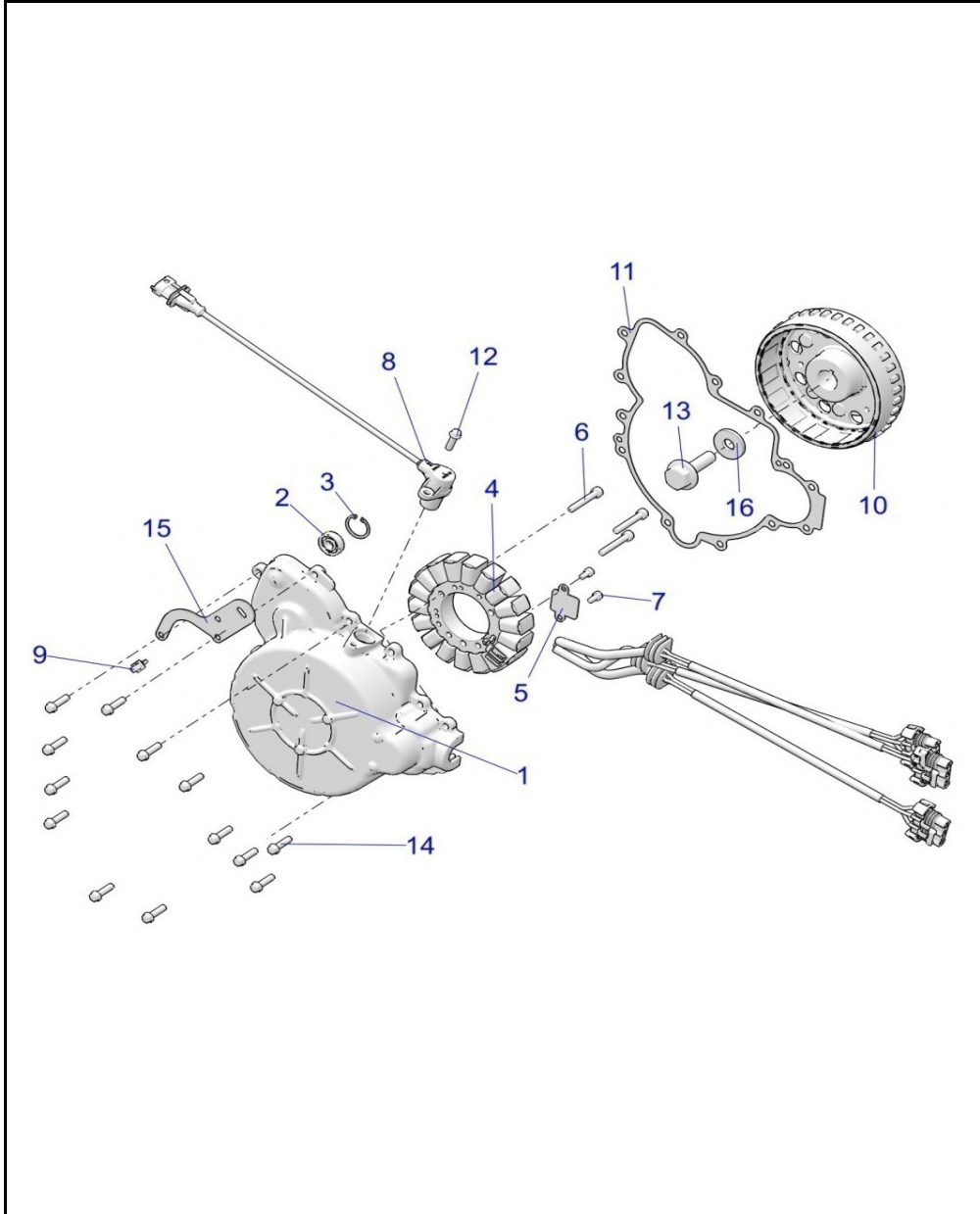
ASSEMBLIES : 2022 RGR RANGER XP 1000 EPS EU/TR/ZUG (R02) - R22RRS99C9/CK/CM/F9/FM/EF9/EFM/PCG/E99FM/E99PM



POS	SAP	Part Name	Qty
1	1046039	ASM., SPRAG CLUTCH, HUB, STARTER	1
2	1002282	ASM., GEAR, STARTER , CRANK	1
3	1007014	ASM., TORQUE LIMIT GEAR	1
4	1007006	PIN, TORQUE LIMIT GEAR	1
5	1009586	STARTER, 9T, CW, ROT, SPACER	1
6	1014428	SCREW-M6X1.0X14.0,HX/SOC/CP-Y/D	3
7	1039736	STUD-DOUBLE,END,M6X1.0X25/10	1
8	1039744	SCREW-HXFLG,M6X1.0X25,10.9	1

ENGINE, STATOR And FLYWHEEL

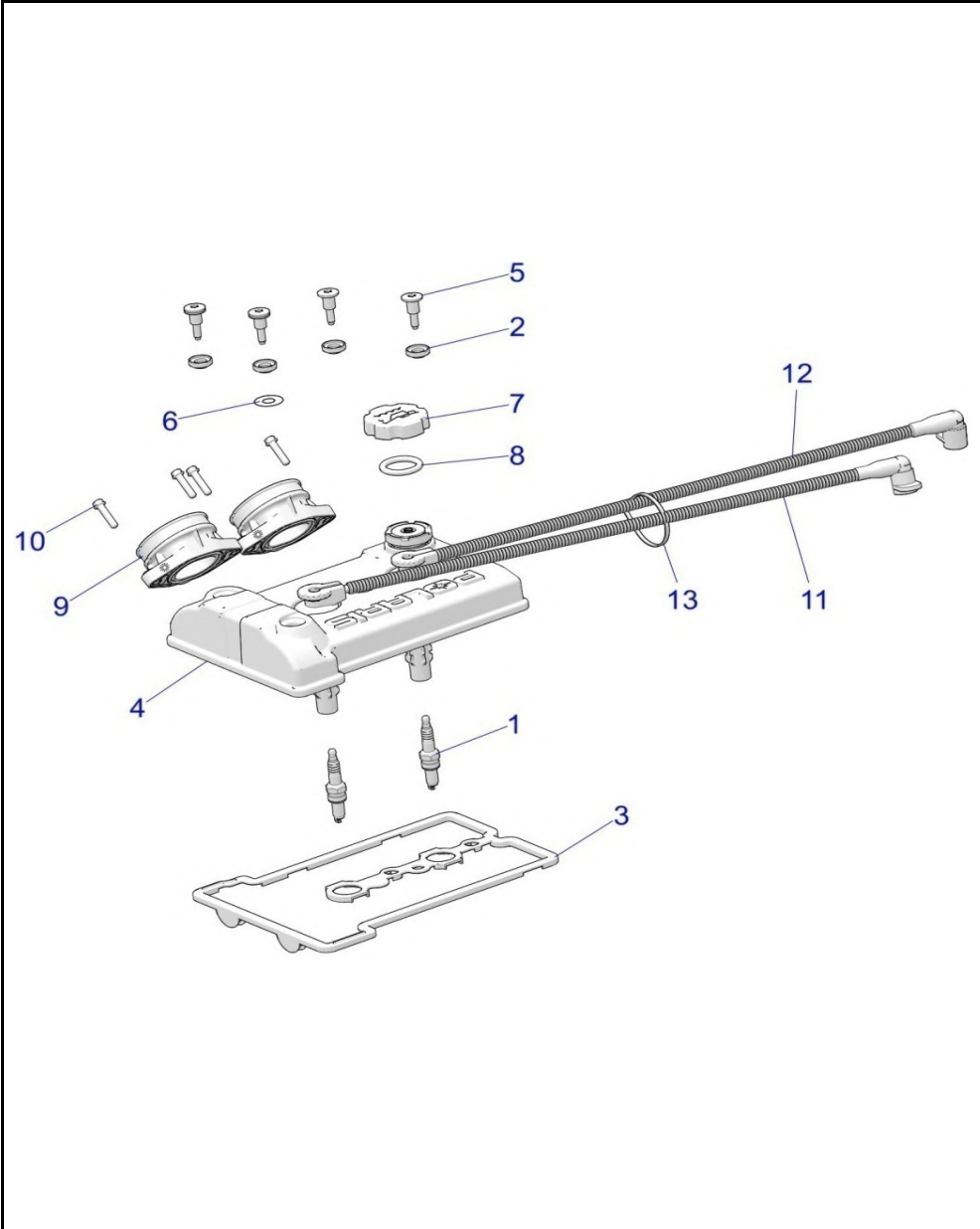
ASSEMBLIES : 2022 RGR RANGER XP 1000 EPS EU/TR/ZUG (R02) - R22RRS99C9/CK/CM/F9/FM/EF9/EFM/PCG/E99FM/E99PM



POS	SAP	Part Name	Qty
1	1039346	ASM., IGNITION COVER, STARTER BEARING [INCL. 2,3][TO 9/27/2021]	1
1	1045276	ASM-IGN COVER,STARTER BRG [INCL. 2,3][FROM 9/27/2021]	1
2	1039484	BEARING-BALL,9X24X7	1
3	1039819	RING-SNAP,DIN472,24X1.2MM	1
4	1009605	STATOR-660W,706MM [EF9][EFM][PCG][SC9][SCM][SF9][SFM]	1
4	1047552	STATOR-900W DUAL, 706MM [SCK][TO 3/14/2022]	1
4	1047553	STATOR-900W DUAL,706MM W/CLIP [SCK][FRM 3/14/2022]	1
5	1039512	BRACKET, RETAINER, WIRE	1
6	1039653	SCR-M6X1.0X40,HX/SOC/CP-Y/D	3
7	1039665	SCREW-M5X0.8X10 SOC/CP-D	2
8	1005829	SENSOR, CRANK POSITION	1
9	1040407	CLIP-WIRE, 6.35MM	1
10	1046963	FLYWHEEL [EF9][EFM][PCG][SC9][SCM][SF9][SFM]	1
10	1047554	FLYWHEEL-900W [SCK]	1
11	1012355	GASKET, COVER, IGNITION	1
12	1039698	SCREW-HXFL-M6X1.0X20 8.8 ZY3	1
13	1014481	SCREW-HXFL-M12X1.25X43 12.9	1
14	1039744	SCREW-HXFLG,M6X1.0X25,10.9	13
15	1046964	BRACKET, BYPASS HOSE	1
16	1014531	WSHR-32X12X4,HARD	1

ENGINE, THROTTLE BODY And VALVE COVER

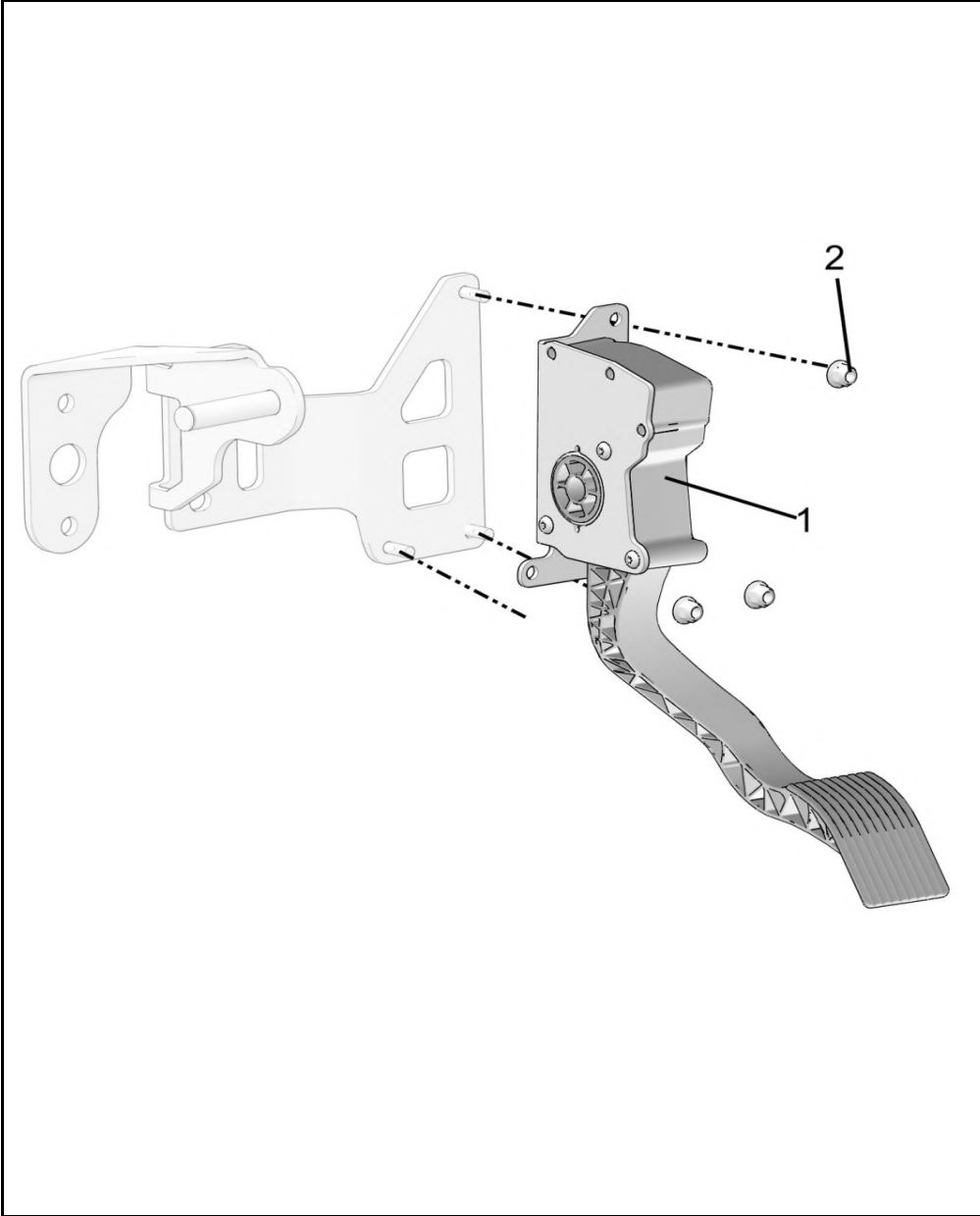
ASSEMBLIES : 2022 RGR RANGER XP 1000 EPS EU/TR/ZUG (R02) - R22RRS99C9/CK/CM/F9/FM/EF9/EFM/PCG/E99FM/E99PM



POS	SAP	Part Name	Qty
1	1007009	PLUG, SPARK, 10 MM	2
2	1011796	ISOLATOR, VALVE COVER	4
3	1011807	SEAL, VALVE COVER, 2CY	1
4	1045278	COVER-VALVE,CAST,2CYL,DOHC	1
5	1039730	SCREW-TXPH-M6X1.0X14 8.8 A2K SHB	4
6	1014530	WASHER, GROUNDING	1
7	1002289	ASM., CAP, OIL FILL [INCL. 8]	1
8	1011803	O-RING, OIL FILL CAP	1
9	1048483	ADAPTER, THROTTLE BODY	2
10	1039744	SCREW-HXFLG,M6X1.0X25,10.9	4
11	1009598	WIRE-SPARKPLUG,MAG	1
12	1009599	WIRE-SPARKPLUG,PTO	1
13	1014060	CABLE-TIE,10-102MM,WEATH.-RES.	1

ENGINE, THROTTLE PEDAL

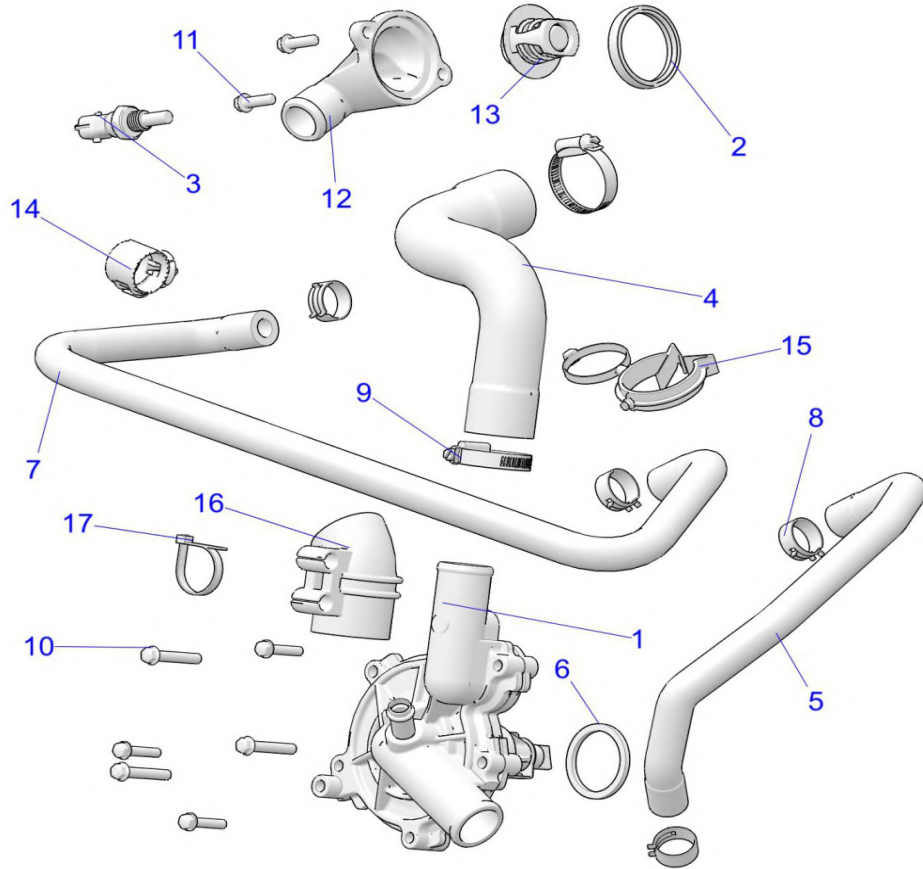
ASSEMBLIES : 2022 RGR RANGER XP 1000 EPS EU/TR/ZUG (R02) - R22RRS99C9/CK/CM/F9/FM/EF9/EFM/PCG/E99FM/E99PM



POS	SAP	Part Name	Qty
1	1047561	PEDAL, ELECTRONIC THROTTLE	1
2	1014499	NUT- M8X1.25, FLG, NYLOC-OLIVE D	3

ENGINE, WATERPUMP And BYPASS

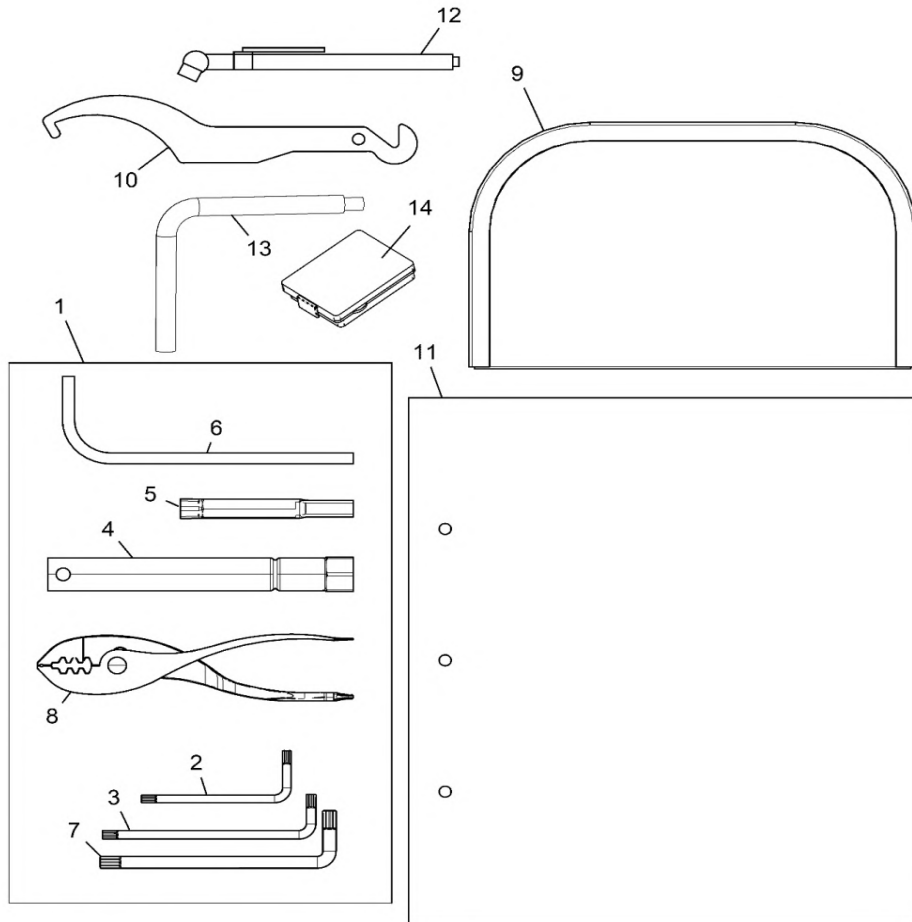
ASSEMBLIES : 2022 RGR RANGER XP 1000 EPS EU/TR/ZUG (R02) - R22RRS99C9/CK/CM/F9/FM/EF9/EFM/PCG/E99FM/E99PM



POS	SAP	Part Name	Qty
1	1040090	ASM., WATERPUMP	1
2	1011797	SEAL, THERMOSTAT	1
3	1009561	SENSOR, THERMISTER	1
4	1045284	HOSE, WATER PUMP OUT, FORMED	1
5	1045285	HOSE, OIL COOLER OUTLET	1
6	1039601	FILTER, WATER PUMP	1
7	1046965	HOSE, BYPASS LINE	1
8	1039625	CLAMP-HOSE,SPRING .81	4
9	1039628	CLAMP, HOSE (WORM DR) 25-40MM	2
10	1014452	SCR-HXFL-M6X1.0X35, W/PATCHLOK	3
11	1039698	SCREW-HXFL-M6X1.0X20 8.8 ZY3	2
12	1040403	COVER, THERMOSTAT	1
13	1014030	THERMOSTAT-44M FLANGE, 180F	1
14	1040406	CLIP, HOSE	1
15	-----	CLIP-OMEGA,CABLE/19-24.5MM DIA	1
16	1047562	SUPPORT-STATOR WIRE	1
17	1039612	PANDUIT STRAP	3

REFERENCE, OWNERS MANUAL And TOOL KIT

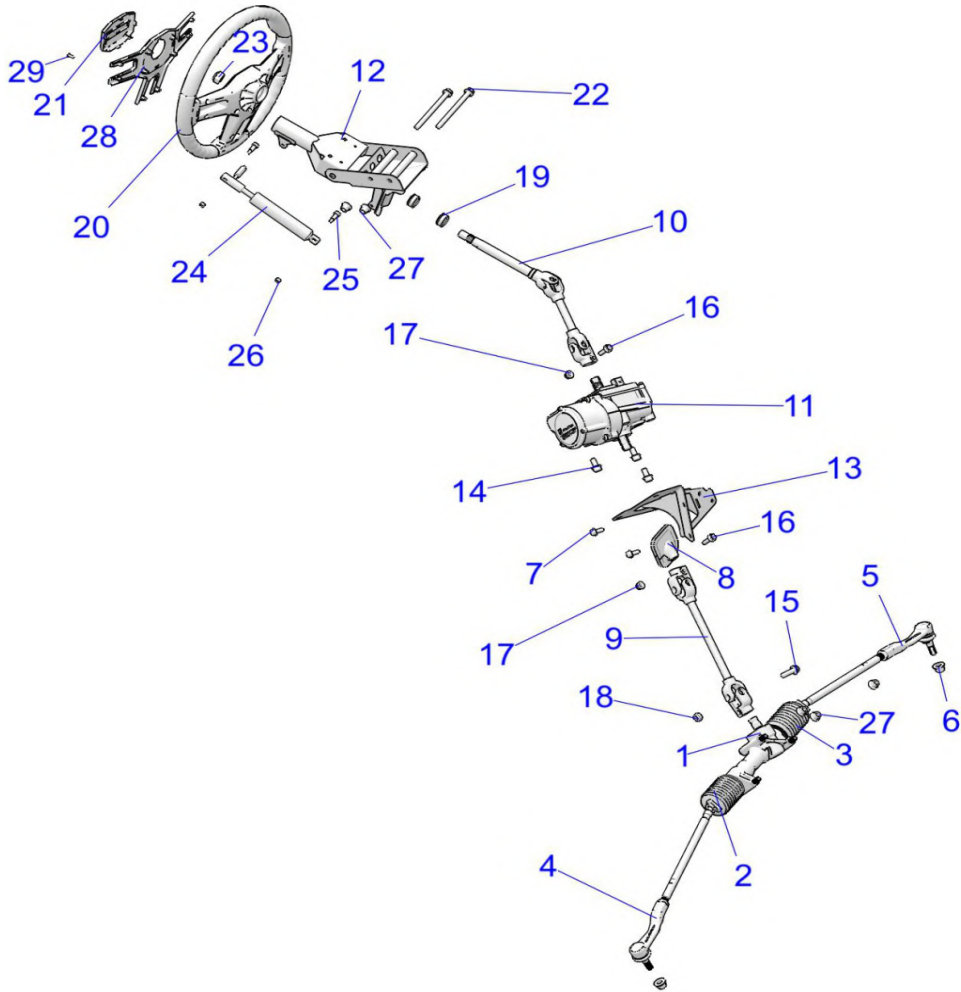
ASSEMBLIES : 2022 RGR RANGER XP 1000 EPS EU/TR/ZUG (R02) - R22RRS99C9/CK/CM/F9/FM/EF9/EFM/PCG/E99FM/E99PM



POS	SAP	Part Name	Qty
1	1006632	KIT, ACCESSORY TOOL RANGER [INCL. 2-8]	1
2	1039400	WRENCH, TORX, T-25	1
3	1046967	Wrench, Torx, T-27	1
4	1046968	SOCKET, SPARK PLUG	1
5	1046969	DRIVER, NUT, 8MM	1
6	1046970	HANDLE, LONG-NUT DRIVER, 8MM	1
7	1039403	WRENCH, TORX, T-40	1
8	1039401	PLIERS, COMBO, #2 ASSEMBLY	1
9	1039394	POUCH, TOOL KIT, 9 INCH	1
10	1046058	WRENCH, SPANNER, CAM, E-COAT	1
11	1048484	MAN-OWN, 22 RGR XP1000 TR/IS [SCK][SCM][SC9]	1
11	1048485	MAN-OWN, 22 RGR XP1000 GERMAN [SFM][SF9]	1
11	1048486	MAN-OWN, 22 RNG 1000XP ABS TR [PCG]	1
12	1039402	GAUGE, TIRE PRESSURE, 30 PSI	1
13	1046975	TOOL, BELT REMOVAL	1
14	1047568	K-SPARE FUSE, GEN	1

STEERING, STEERING ASM.

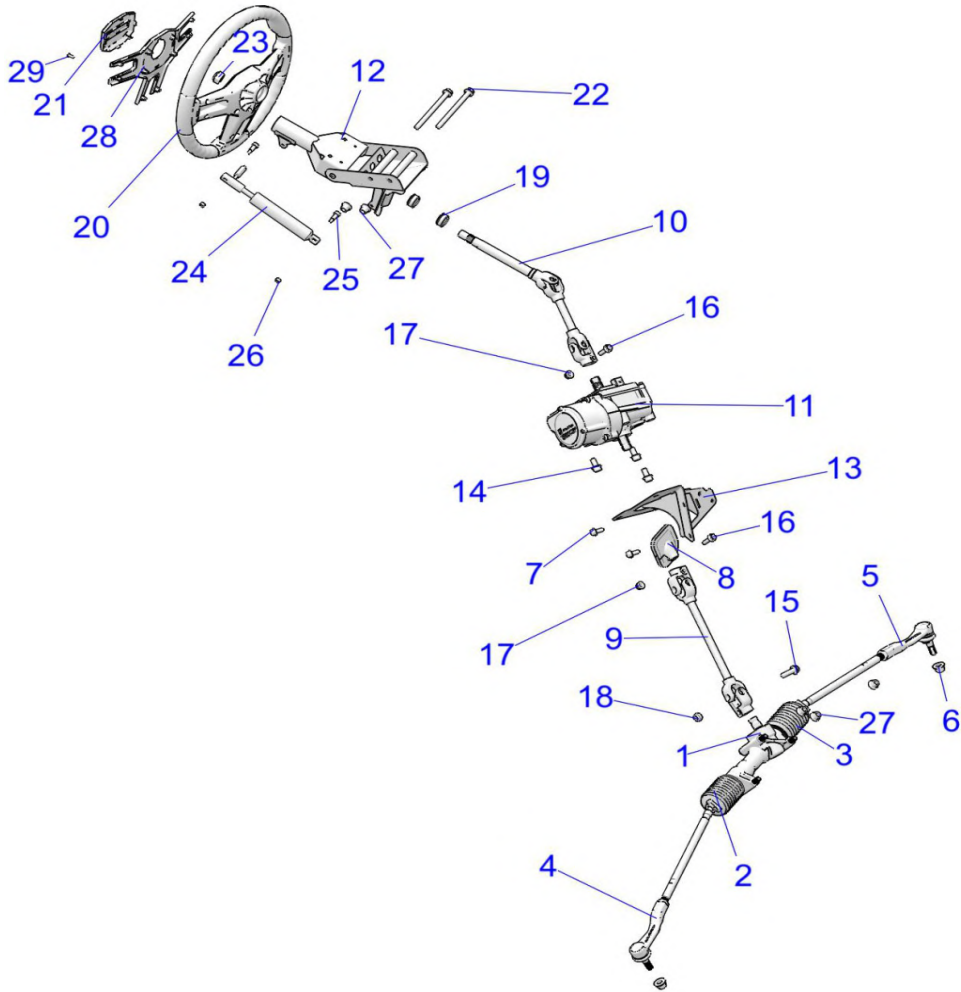
ASSEMBLIES : 2022 RGR RANGER XP 1000 EPS EU/TR/ZUG (R02) - R22RRS99C9/CK/CM/F9/FM/EF9/EFM/PCG/E99FM/E99PM



POS	SAP	Part Name	Qty
1	1039177	ASM-GEAR BOX,STEERING [INCL. 2-5]	1
2	-----	BOOT, DRIVERS SIDE, RACK	1
3	-----	BOOT, DRIVERS SIDE, RACK	1
4	-----	ROD, END, TAPERED, RH	1
5	-----	ROD, END, TAPERED, LH	1
6	1014501	NUT-M12X1.5, FLG, NYLOC-OLIVE D	2
7	1039688	SCR-TFHFL-M8X1.25X20 CHS ZOD	2
8	1046977	GROMMET-STEERING	1
9	1047570	SHAFT-STEERING LWR,W/JNT,EPAS	1
10	1047571	SHAFT-STEERING,UPPER	1
11	1047572	ASM-POWER STEERING,2.5T,250K	1
12	1047573	ASM-TILT,STEERING,RVTD,M10,BLK	1
13	1046980	MOUNT, EPAS, BLACK	1
14	1039690	BOLT-M10X1.25X20,HXFLG-OLV D	3
15	1045322	SCR-HXFL-M10X1.5X40 10.9 ZPC	1
16	1045323	SCR-M8X1.25X40 10.9 HX/FL ZOD	2
17	1014499	NUT- M8X1.25, FLG, NYLOC-OLIVE D	4
18	1039786	NUT-NY INS,M10X1.5,HEX,ZINC,YW	1
19	1014528	BUSHING-STEERING	2
20	1048487	WHEEL-STEERING,XP	1
21	1048488	CAP-STEERING WHEEL,XP	1
22	1039703	BOLT-M10X1.25X130,HXFLG-OLIVED	2
23	1039791	NUT-HEX-M16X2, 8 ZC NYL	1
24	1014013	ASM-SHOCK,OIL LOCKING,SHORT	1
25	1039761	BOLT-SHOULDER,M8-15,M6X1.0-BLK	2
26	1039773	NUT-6MM X 1 NYLOK-Z	2
27	1014500	NUT-M10X1.25, FLG, NYLOC-OLIVE D	5
28	1048489	TRIM-STEERING WHEEL,XP,BLK [EF9][SC9][SF9]	1
28	1048490	TRIM-STEER WHL,XP,M.TTNM MET [EFM][SCK][SCM][SFM]	1
28	1048491	TRIM-STEER WHL,XP,ORANGERUST [PCG]	1

STEERING, STEERING ASM.

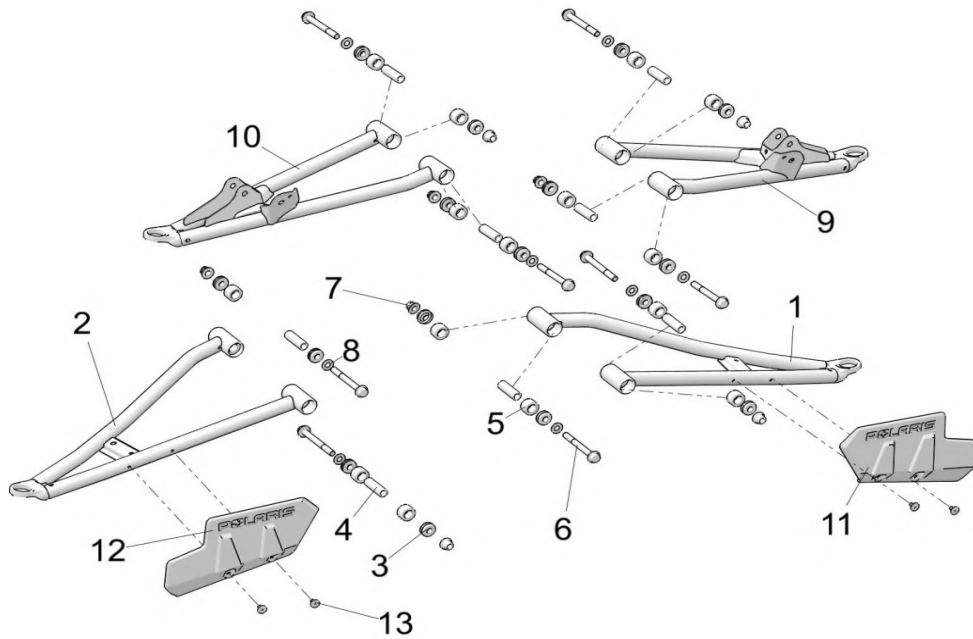
ASSEMBLIES : 2022 RGR RANGER XP 1000 EPS EU/TR/ZUG (R02) - R22RRS99C9/CK/CM/F9/FM/EF9/EFM/PCG/E99FM/E99PM



POS	SAP	Part Name	Qty
29	1039719	SCR-#10X1/2-HI/LO-PN-T25, TRX-M	10

SUSPENSION, FRONT CONTROL ARMS

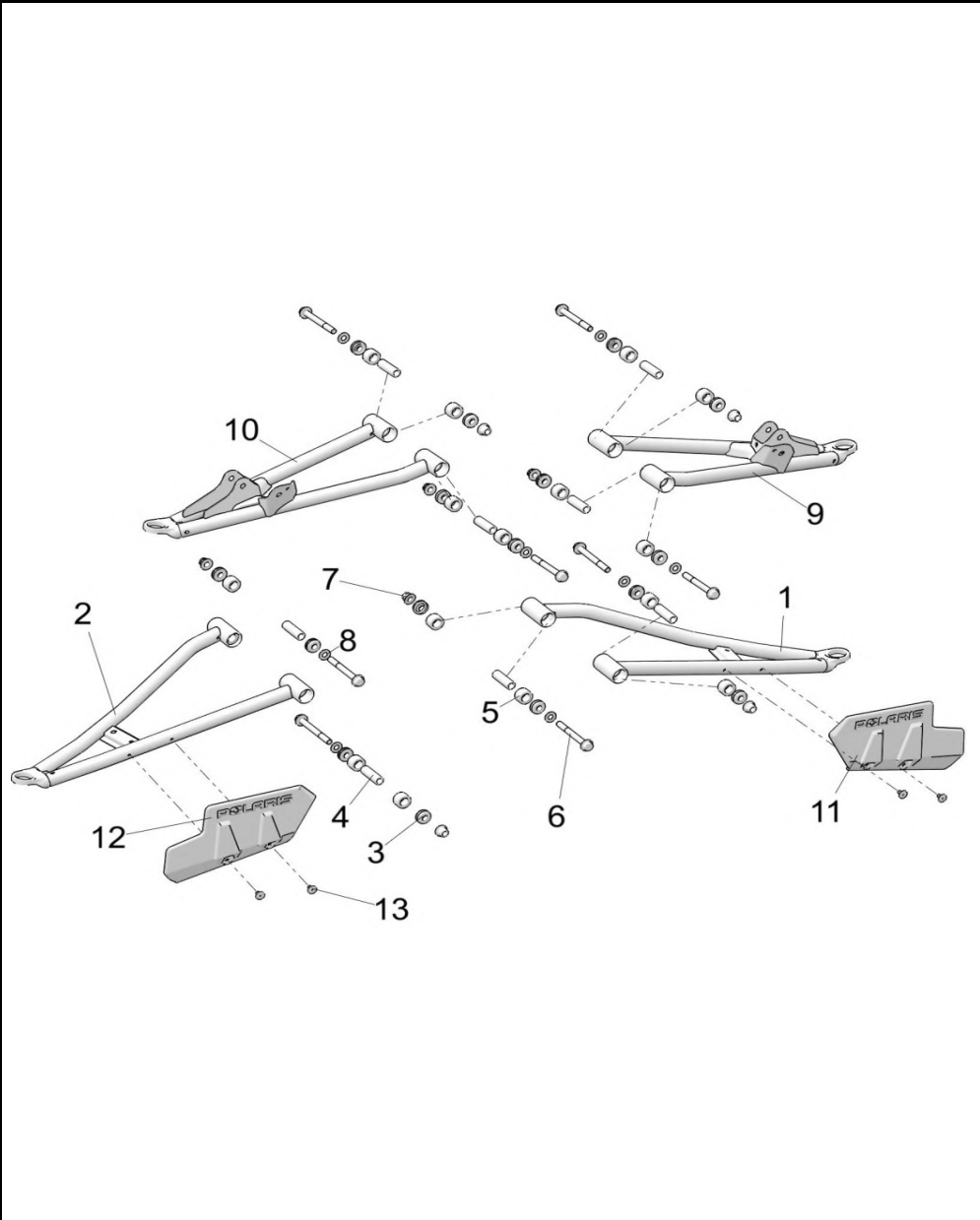
ASSEMBLIES : 2022 RGR RANGER XP 1000 EPS EU/TR/ZUG (R02) - R22RRS99C9/CK/CM/F9/FM/EF9/EFM/PCG/E99FM/E99PM



POS	SAP	Part Name	Qty
1	1048492	WELD-A-ARM,FRT,LWR,LH,GGR	1
2	1048493	WELD-A-ARM,FRT,LWR,RH,GGR	1
3	1003526	ASM-PIVOT CAP, SEALED, M10	16
4	1011216	SHAFT-PIVOT,SHORT,M10	8
5	1011925	BUSHING-STANDARD, SUSP, M10	16
6	1014442	SCR-HXFL-M10X1.25X95 10.9 ZOD	8
7	1014500	NUT-M10X1.25, FLG, NYLOC-OLIVE D	8
8	1014520	WASHER-3/8 FW SAE STL THRU-HRD	4
9	1048494	WELD-A-ARM,FRT,UPR,LH,GGR	1
10	1048495	WELD-A-ARM,FRT,UPR,RH,GGR	1
11	1011831	SHIELD, CV, FRONT, LH, BLACK	1
12	1011832	SHIELD, CV, FRONT, RH, BLACK	1
13	1014566	RIVET 3/16(.063-.250)ST-ST-LF-B	4

SUSPENSION, FRONT CONTROL ARMS

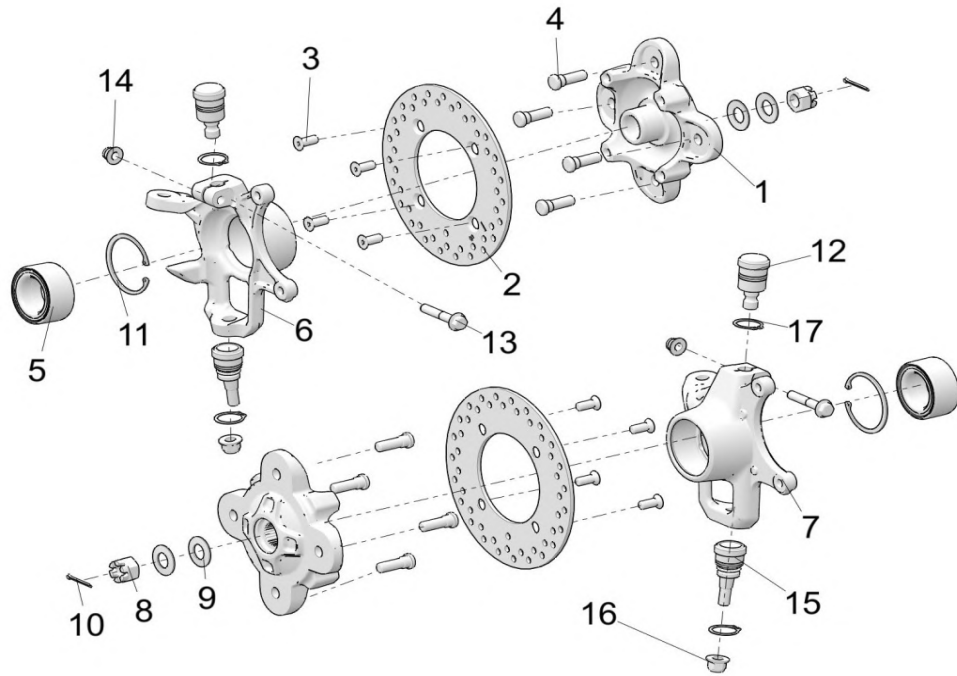
ASSEMBLIES : 2022 RGR RANGER XP 1000 EPS EU/TR/ZUG (R02) - R22RRS99C9/CK/CM/F9/FM/EF9/EFM/PCG/E99FM/E99PM



POS	SAP	Part Name	Qty
1	1047574	WELD-A-ARM,FRT,LWR,LH,M.BLK	1
2	1047575	WELD-A-ARM,FRT,LWR,RH,M.BLK	1
3	1003527	ASM-PIVOT CAP, SEALED, M12	8
4	1047576	SHAFT-PIVOT,SHORT,M12	8
5	1011926	BUSHING-STANDARD, SUSP, M12	16
6	1014442	SCR-HXFL-M10X1.25X95 10.9 ZOD	8
7	1014500	NUT-M10X1.25, FLG, NYLOC-OLIVE D	8
8	1014524	WSHR-13.0X24.0X2.5 ZPC	4
9	1047577	WELD-A-ARM,FR,UPR,LH,BLK	1
10	1047578	WELD-A-ARM,FR,UPR,RH,BLK	1
11	1011831	SHIELD, CV, FRONT, LH, BLACK	1
12	1011832	SHIELD, CV, FRONT, RH, BLACK	1
13	1014566	RIVET 3/16(.063-.250)ST-ST-LF-B	4

SUSPENSION, FRONT HUB

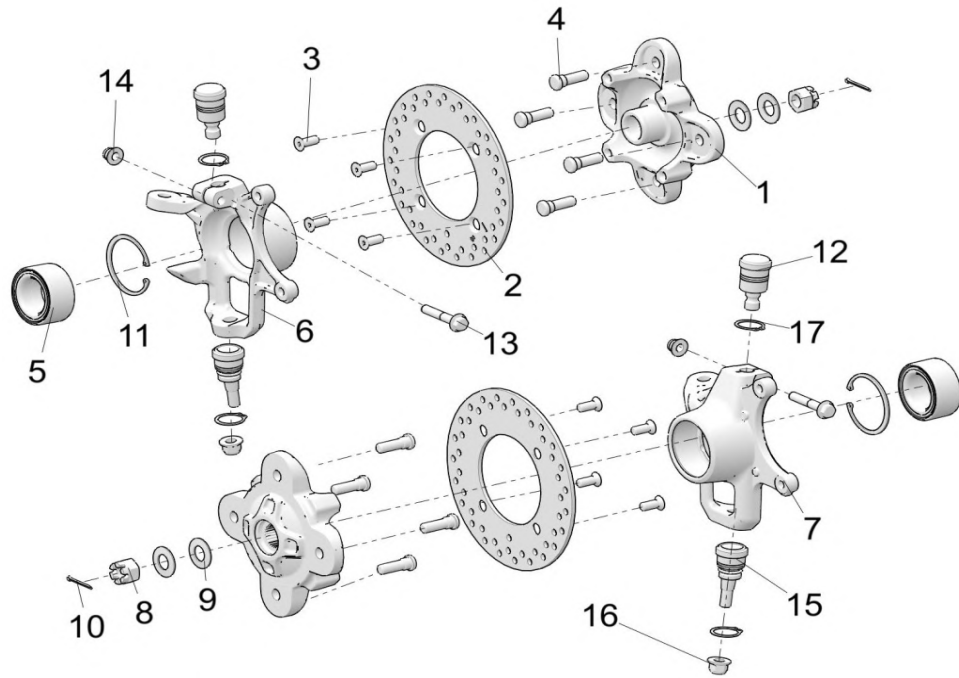
ASSEMBLIES : 2022 RGR RANGER XP 1000 EPS EU/TR/ZUG (R02) - R22RRS99C9/CK/CM/F9/FM/EF9/EFM/PCG/E99FM/E99PM



POS	SAP	Part Name	Qty
1	1011263	HUB-WHEEL,FRONT MACH,BLK	2
2	1011519	DISC-BRAKE, FRONT	2
3	1014439	SCR-M10X1.5X20 8.8 TXCS FL ZOD	8
4	1014462	STUD-WHEEL,M12-1.5	8
5	1008460	BEARING-BALL,SEALED,44X72X33.1 (HEAVY DUTY)	2
6	1011269	KNUCKLE-FRONT,LH	1
7	1011270	KNUCKLE-FRONT,RH	1
8	1014502	NUT-M18X1.5,CASTLE,ZINC/YELLOW	2
9	1014515	WASHER-CONE.755X1.5X.072-.107P	4
10	1014587	PIN-COTTER 1/8X1 1/2-Y	2
11	1014626	RING, RETAINING, 2.835, INTERNAL	2
12	1014087	BALL-JOINT,10MM STUD	2
13	1014454	SCR-HXFL-M10X1.25X60 10.9 ZOD	2
14	1014500	NUT-M10X1.25, FLG, NYLOC-OLIVE D	2
15	1014088	BALL-JOINT,M12X1.50,TAPERED	2
16	1014501	NUT-M12X1.5, FLG, NYLOC-OLIVE D	2
17	1014623	RING-RETAINER,EXTERNAL,1.188	4

SUSPENSION, FRONT HUB

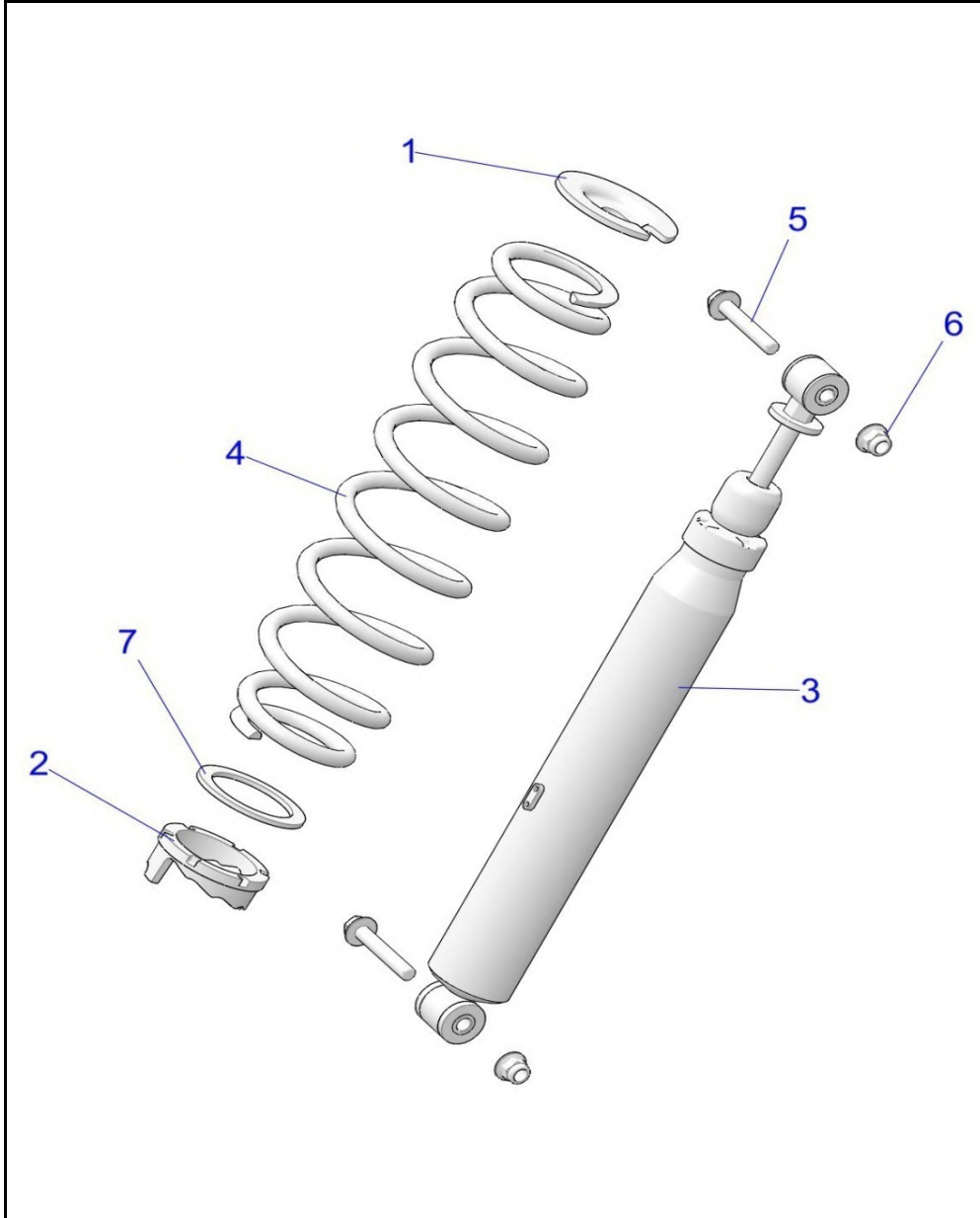
ASSEMBLIES : 2022 RGR RANGER XP 1000 EPS EU/TR/ZUG (R02) - R22RRS99C9/CK/CM/F9/FM/EF9/EFM/PCG/E99FM/E99PM



POS	SAP	Part Name	Qty
1	1011263	HUB-WHEEL,FRONT MACH,BLK	2
2	1011519	DISC-BRAKE, FRONT	2
3	1014439	SCR-M10X1.5X20 8.8 TXCS FL ZOD	8
4	1014462	STUD-WHEEL,M12-1.5	8
5	1008460	BEARING-BALL,SEALED,44X72X33.1 (HEAVY DUTY)	2
6	1047579	CARRIER-BEARING,FRONT,LH	1
7	1047580	CARRIER-BEARING,FRONT,RH	1
8	1014502	NUT-M18X1.5,CASTLE,ZINC/YELLOW	2
9	1045351	WSHR-BLVL,19X42X4.5-5.08	4
10	1014587	PIN-COTTER 1/8X1 1/2-Y	2
11	1014626	RING, RETAINING, 2.835, INTERNAL	2
12	1037103	BALL-JOINT,HARDENED,HI-MISALGN	2
13	1014490	SCR-HXFL-M12X1.5X105 10.9 ZOD	4
14	1014500	NUT-M10X1.25, FLG, NYLOC-OLIVE D	2
15	1047581	BALL-JOINT	2
16	1014501	NUT-M12X1.5, FLG, NYLOC-OLIVE D	2
17	1014625	RING-RTG,DSH-33ST	4

SUSPENSION, FRONT SHOCK MOUNTING

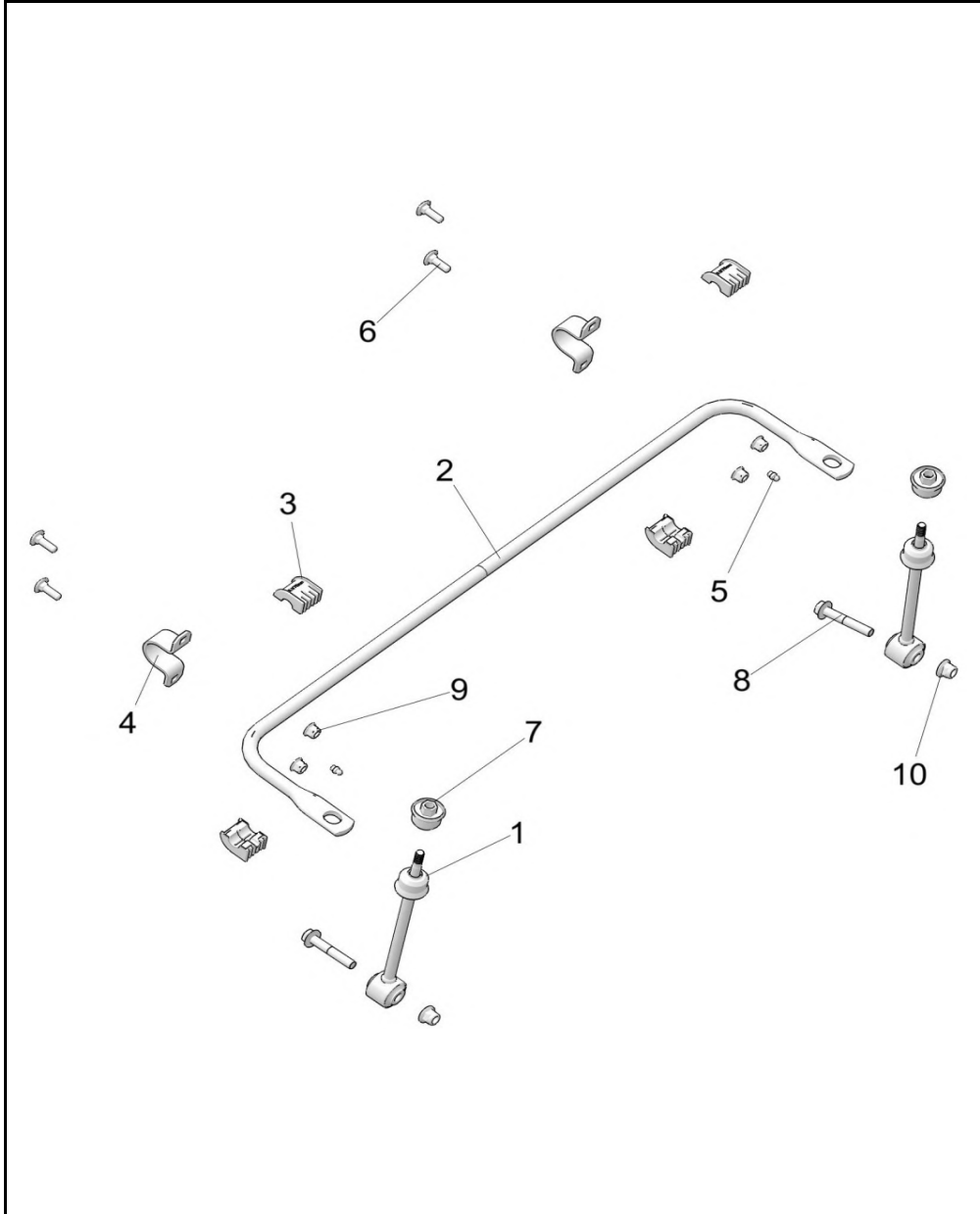
ASSEMBLIES : 2022 RGR RANGER XP 1000 EPS EU/TR/ZUG (R02) - R22RRS99C9/CK/CM/F9/FM/EF9/EFM/PCG/E99FM/E99PM



POS	SAP	Part Name	Qty
1	1038646	RETAINER, SPRING, STEEL	2
2	1038647	CAM, ADJUSTING, SPRING, STEEL	2
3	1046984	SHOCK-FRONT	2
4	1038645	SPR-200-225#,13.23FL2.0-2.0IDB [EF9][PCG][SC9][SF9]	2
4	1048496	SPR-200-225#,13.23FL2.0-2.0IDV [SCK]	2
4	1048497	SPR-200-225#,TURBO SILVER [EFM][SCM][SFM]	2
5	1014454	SCR-HXFL-M10X1.25X60 10.9 ZOD	4
6	1014500	NUT-M10X1.25, FLG, NYLOC-OLIVE D	4
7	1047585	WASHER-STEEL,75.8X57.7X3.40	2

SUSPENSION, FRONT STABILIZER BAR

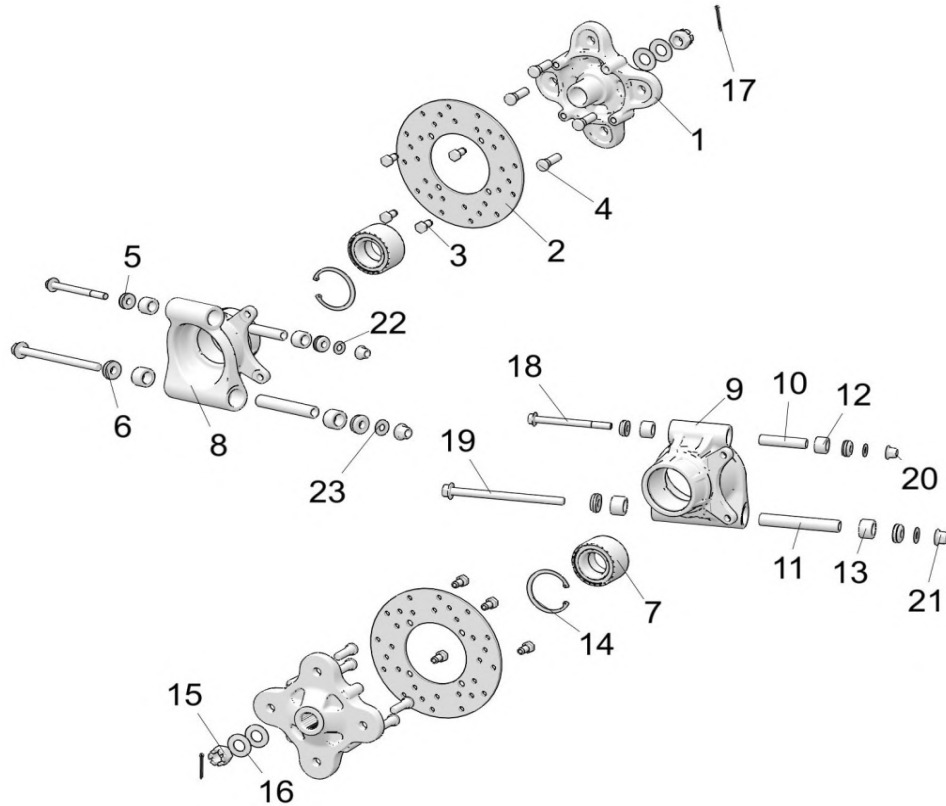
ASSEMBLIES : 2022 RGR RANGER XP 1000 EPS EU/TR/ZUG (R02) - R22RRS99C9/CK/CM/F9/FM/EF9/EFM/PCG/E99FM/E99PM



POS	SAP	Part Name	Qty
1	1011259	LINKAGE-BAR,TORSION	2
2	1011692	BAR-STABILZER,FRONT,M.BLK	1
3	1011931	BUSHING-STABILIZER	4
4	1040840	BRKT-BUSHING	2
5	1014056	FITTING-LUB, 1/4-28-STR/1792-Y	2
6	1014486	SCR-RHCAR-M8X1.25X25 10.9 ZB3	4
7	1011813	BUSHING, LINKAGE, TORSION BAR	2
8	1014454	SCR-HXFL-M10X1.25X60 10.9 ZOD	2
9	1014499	NUT- M8X1.25, FLG, NYLOC-OLIVE D	4
10	1014500	NUT-M10X1.25, FLG, NYLOC-OLIVE D	2

SUSPENSION, REAR CARRIER

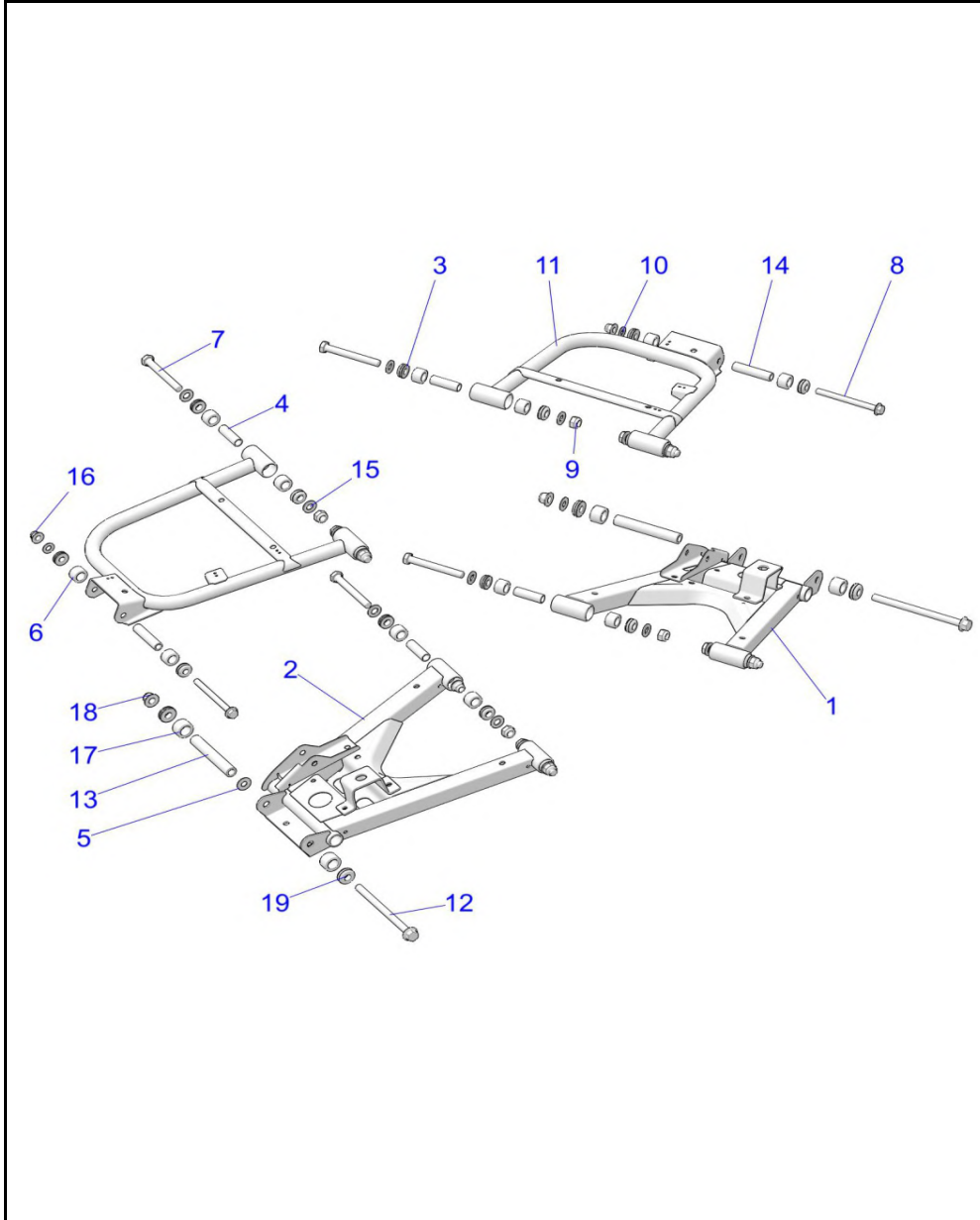
ASSEMBLIES : 2022 RGR RANGER XP 1000 EPS EU/TR/ZUG (R02) - R22RRS99C9/CK/CM/F9/FM/EF9/EFM/PCG/E99FM/E99PM



POS	SAP	Part Name	Qty
1	1033788	HUB-WHEEL,MACH, BLK	2
2	1011478	DISC-BRAKE,REAR,8.625X.188	2
3	1014455	SCR-M10X1.5X20,8.8 ZY3	8
4	1014462	STUD-WHEEL,M12-1.5	8
5	1003526	ASM-PIVOT CAP, SEALED, M10	4
6	1003527	ASM-PIVOT CAP, SEALED, M12	4
7	1008459	BEARING-WHEEL,40X74X40MM (HEAVY DUTY)	2
8	1011257	CARRIER-BEARING,LH	1
9	1011258	CARRIER-BEARING,RH	1
10	1011218	SHAFT-PIVOT, SHORT, M10	2
11	1011219	SHAFT-PIVOT, LONG, M12	2
12	1011925	BUSHING-STANDARD, SUSP, M10	4
13	1011926	BUSHING-STANDARD, SUSP, M12	4
14	1014620	RING-RETAINING,2.875,INTERNAL	2
15	1014502	NUT-M18X1.5,CASTLE,ZINC/YELLOW	2
16	1045351	WSHR-BLVL,19X42X4.5-5.08	2
16	1014515	WASHER-CONE.755X1.5X.072-.107P [PCG]	4
17	1014587	PIN-COTTER 1/8X1 1/2-Y	2
18	1014458	SCR-HXFL-M10X1.25X115 10.9 ZOD	2
19	1014485	SCR-HXFL-M12X1.5X170 10.9 ZOD	2
20	1014500	NUT-M10X1.25, FLG, NYLOC-OLIVE D	2
21	1014501	NUT-M12X1.5, FLG, NYLOC-OLIVE D	2
22	1014520	WASHER-3/8 FW SAE STL THRU-HRD	2
23	1014521	WASHER-7/16 SAE,STF,THRU-HRD-Y	2

SUSPENSION, REAR CONTROL ARMS

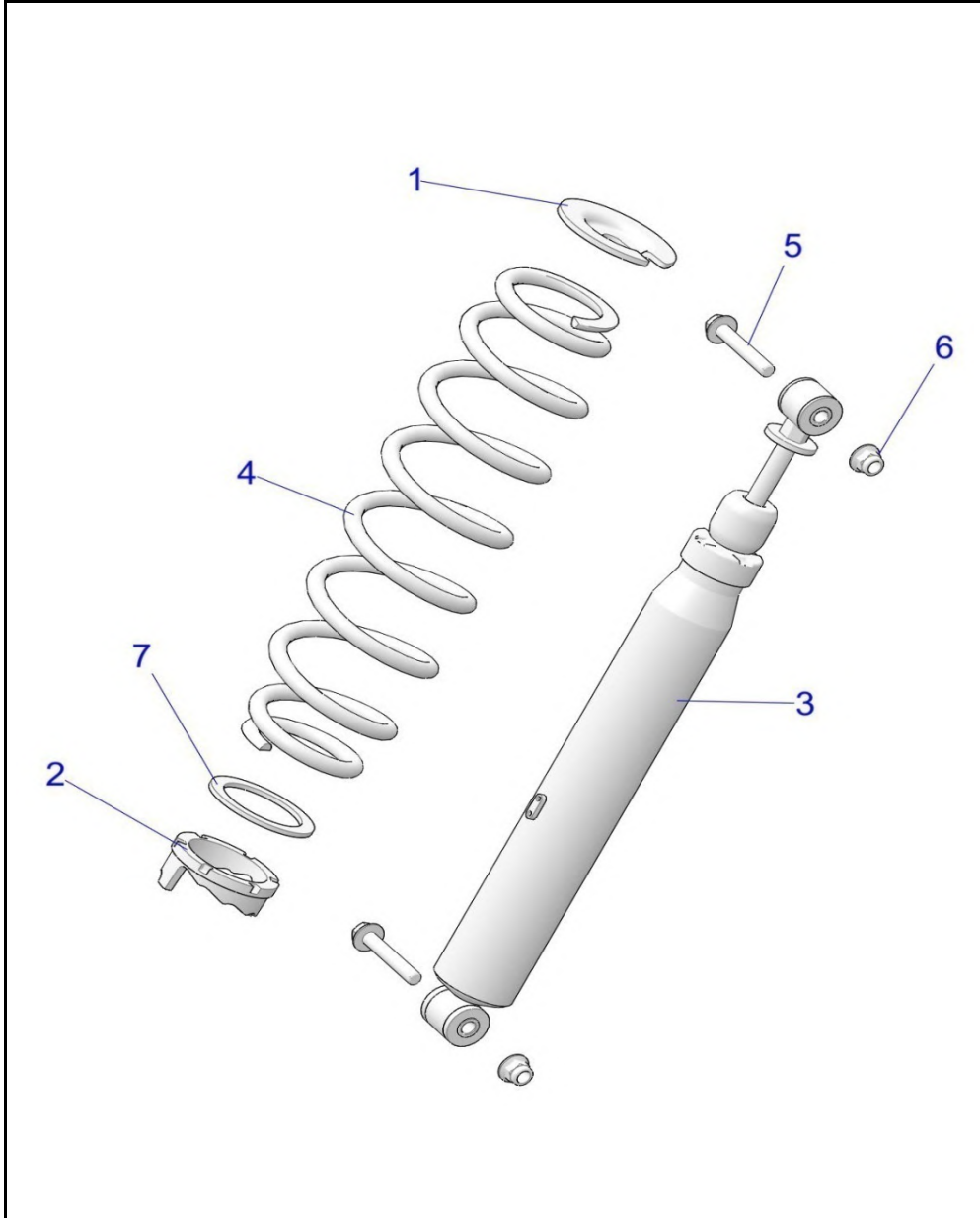
ASSEMBLIES : 2022 RGR RANGER XP 1000 EPS EU/TR/ZUG (R02) - R22RRS99C9/CK/CM/F9/FM/EF9/EFM/PCG/E99FM/E99PM



POS	SAP	Part Name	Qty
1	1001537	WELD-CONTROL ARM, RR, LWR, LH, BLK	1
1	1048498	WELD-CONTROL ARM,RR,LWR,LH,GGR [PCG]	1
2	1001538	WELD-CONTROL ARM, RR, LWR, RH, BLK	1
2	1048499	WELD-CONTROL ARM,RR,LWR,RH,GGR [PCG]	1
3	1047586	ASM-PIVOT CAP, SEALED, M12	16
4	1047587	SHAFT-PIVOT, SHORT, M12	8
5	1014521	WASHER-7/16 SAE,STF,THRU-HRD-Y	2
6	1011925	BUSHING-STANDARD, SUSP, M10	16
7	1047588	SCREW-HH-M12X1.75X100 10.9 ZPC	8
8	1014458	SCR-HXFL-M10X1.25X115 10.9 ZOD	2
9	1039769	NUT-NYLOCK, M12X1.75, 0600110	8
10	1014520	WASHER-3/8 FW SAE STL THRU-HRD	10
11	1001535	WELD-CONTROL ARM, RR, UPR, LH, BLK	1
11	1048500	WELD-CONTROL ARM,RR,UPR,LH,GGR [PCG]	1
11	1001536	WELD-CONTROL ARM, RR, UPR, RH, BLK	1
11	1048501	WELD-CONTROL ARM,RR,UPR,RH,GGR [PCG]	1
12	1014485	SCR-HXFL-M12X1.5X170 10.9 ZOD	2
13	1011219	SHAFT-PIVOT, LONG, M12	1
14	1011218	SHAFT-PIVOT, SHORT, M10	1
15	1014524	WSHR-13.0X24.0X2.5 ZPC	16
16	1014500	NUT-M10X1.25, FLG, NYLOC-OLIVE D	AR
17	1011926	BUSHING-STANDARD, SUSP, M12	4
18	1014501	NUT-M12X1.5, FLG, NYLOC-OLIVE D	2
19	1003527	ASM-PIVOT CAP, SEALED, M12	4

SUSPENSION, REAR SHOCK MOUNTING

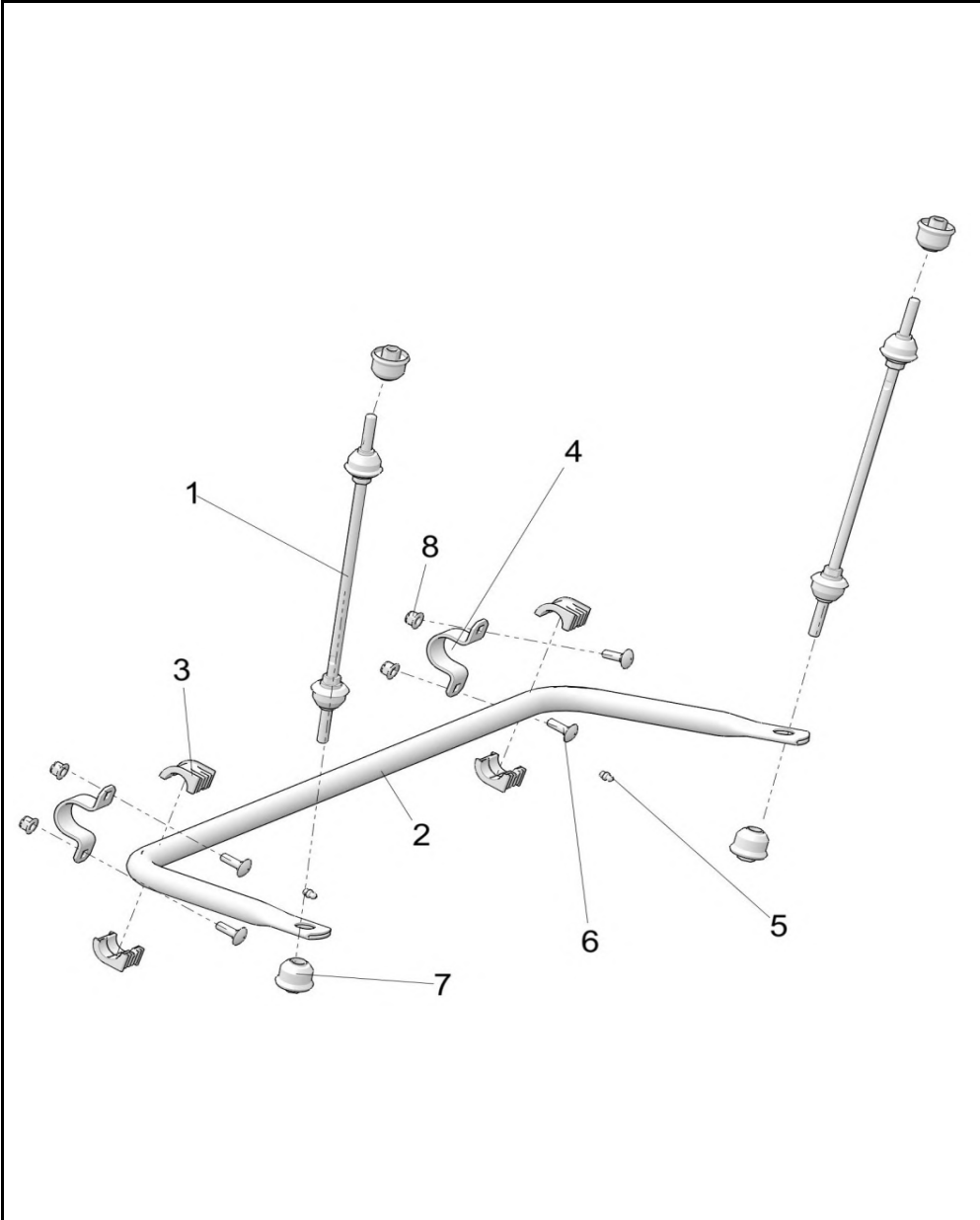
ASSEMBLIES : 2022 RGR RANGER XP 1000 EPS EU/TR/ZUG (R02) - R22RRS99C9/CK/CM/F9/FM/EF9/EFM/PCG/E99FM/E99PM



POS	SAP	Part Name	Qty
1	1038646	RETAINER, SPRING, STEEL	2
2	1038647	CAM, ADJUSTING, SPRING, STEEL	2
3	1048502	SHOCK-REAR	2
3	1014020	SHOCK-REAR [PCG]	2
4	1048503	SPR-240#,15.3FL,2.0-2.0ID,V.B [SCK]	2
4	1048504	SPR-240#,15.3FL,2.0ID,TURBOSIL [EFM][SCM][SFM]	2
4	1048505	SPR-240#,15.3FL,2.0-2.0,BLK [EF9][PCG][SC9][SF9]	2
5	1014454	SCR-HXFL-M10X1.25X60 10.9 ZOD	4
6	1014500	NUT-M10X1.25, FLG, NYLOC-OLIVE D	4
7	1047585	WASHER-STEEL,75.8X57.7X3.40	2

SUSPENSION, REAR STABILIZER BAR

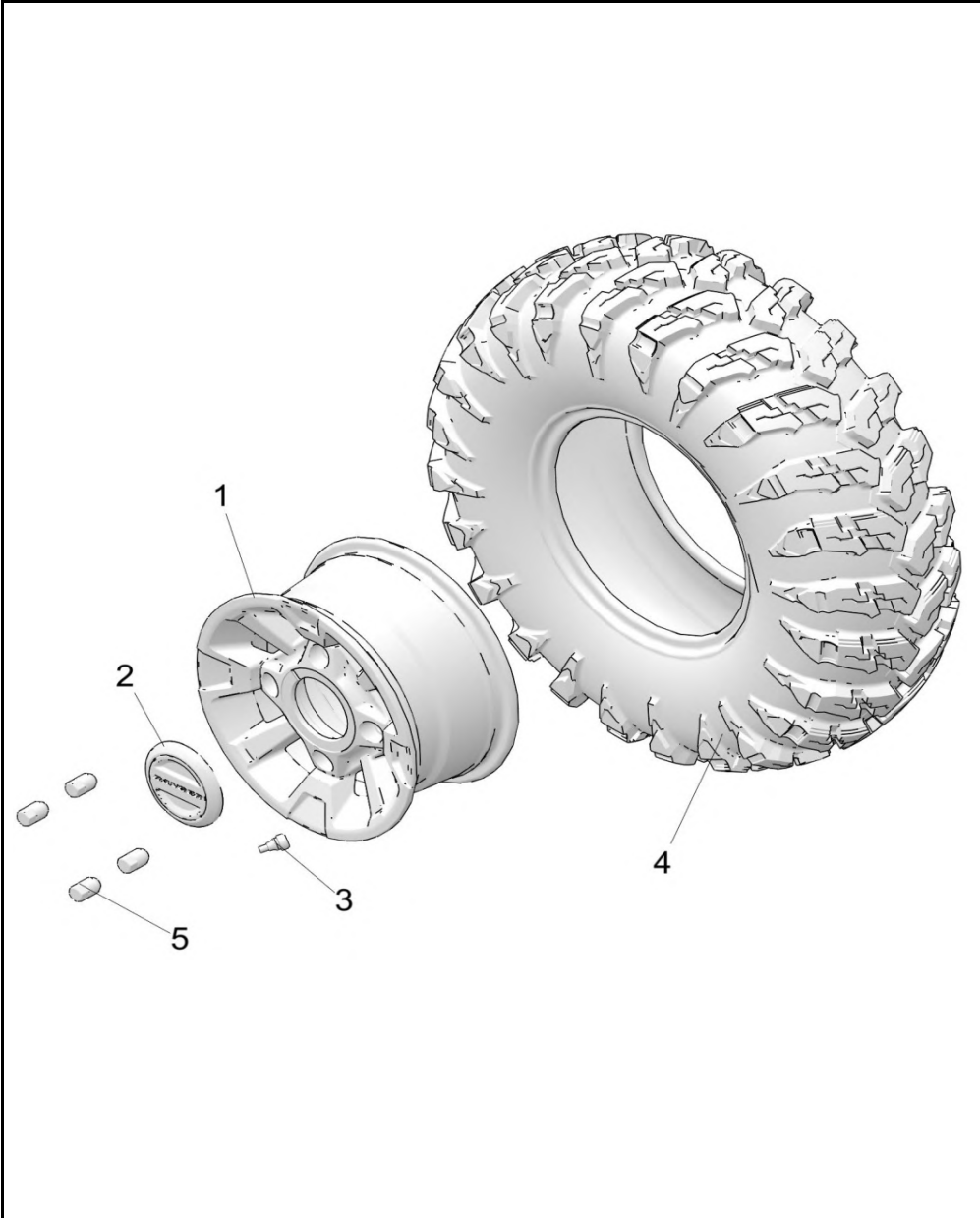
ASSEMBLIES : 2022 RGR RANGER XP 1000 EPS EU/TR/ZUG (R02) - R22RRS99C9/CK/CM/F9/FM/EF9/EFM/PCG/E99FM/E99PM



POS	SAP	Part Name	Qty
1	1047592	ASM-STABILIZER BAR,M.BLK [INCL. ALL]	1
1	1003531	ASM., LINKAGE, STABILIZER BAR	2
2	1047593	TUBE-STABILIZER,M.BLK	1
2	1011694	TUBE-STABILIZER,M.BLK [PCG]	1
3	1047594	BUSHING-REAR STABILIZER	4
3	1011865	Bushing, Upper, Steering Post [PCG]	4
4	1040840	BRKT-BUSHING	2
5	1014056	FITTING-LUB, 1/4-28-STR/1792-Y	2
6	1014486	SCR-RHCAR-M8X1.25X25 10.9 ZB3	4
7	1011813	BUSHING, LINKAGE, TORSION BAR	4
8	1014499	NUT- M8X1.25, FLG, NYLOC-OLIVE D	4

WHEELS, FRONT

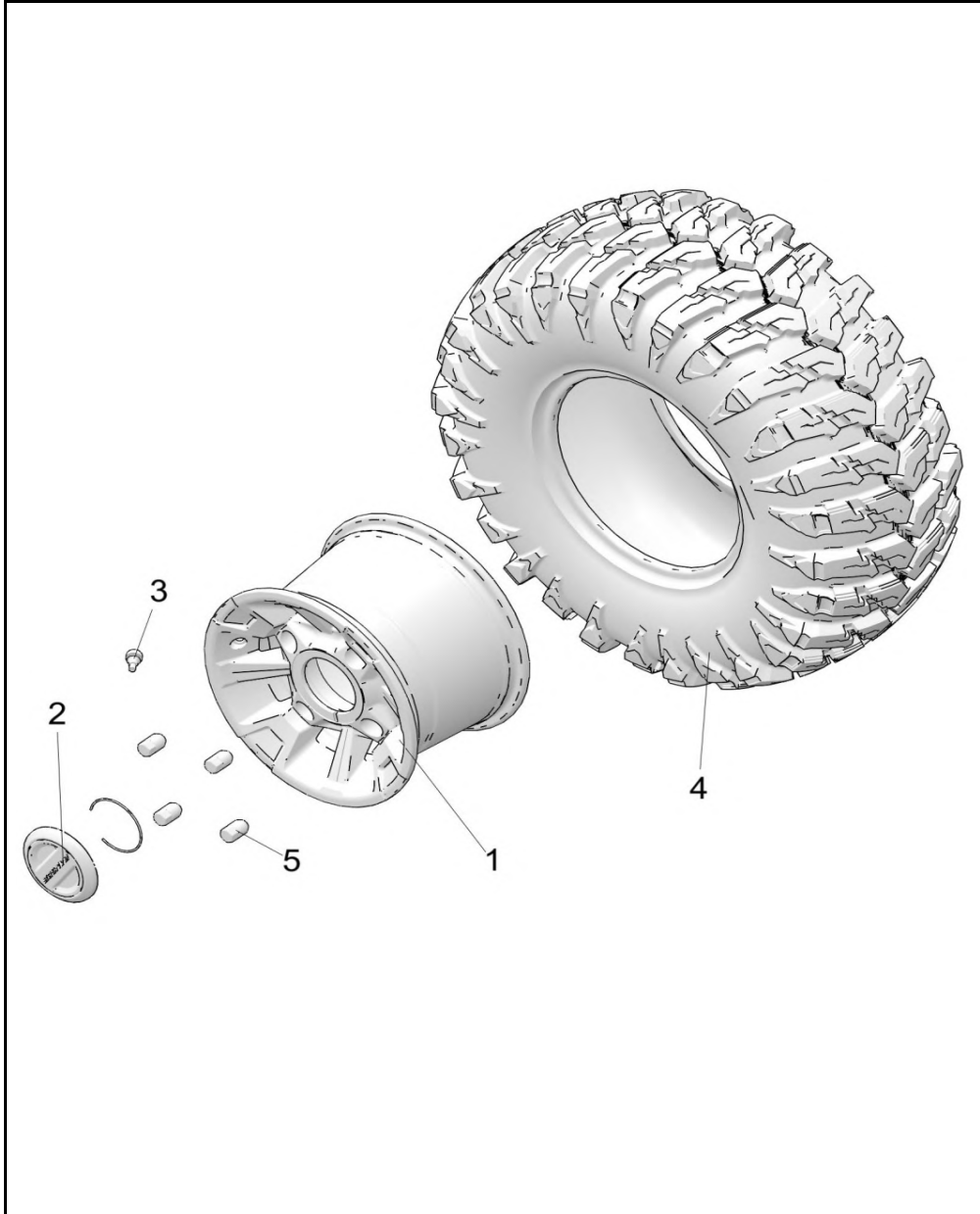
ASSEMBLIES : 2022 RGR RANGER XP 1000 EPS EU/TR/ZUG (R02) - R22RRS99C9/CK/CM/F9/FM/EF9/EFM/PCG/E99FM/E99PM



POS	SAP	Part Name	Qty
1	1003483	RIM-FRONT,12X6,AL,26.2OFST,BLK	2
2	1041412	ASM-CAP,RIM	2
3	1003489	VALVE, RIM	2
4	1047596	TIRE-FR,27X9.00-12,MU51,EM	2
5	1014505	NUT-WHEEL,M12X1.5,TAPERED	8

WHEELS, REAR

ASSEMBLIES : 2022 RGR RANGER XP 1000 EPS EU/TR/ZUG (R02) - R22RRS99C9/CK/CM/F9/FM/EF9/EFM/PCG/E99FM/E99PM



POS	SAP	Part Name	Qty
1	1003484	RIM-REAR,12X8,AL,31MM OFST,BLK	2
2	1041412	ASM-CAP,RIM	2
3	1003489	VALVE, RIM	2
4	1047599	TIRE-RR,27X11.00-12,MU52,EM	2
5	1014505	NUT-WHEEL,M12X1.5,TAPERED	8

Accessories



2 in. Trailer Ball Hitch With 2 in. Threaded Post | Part 2830522



Polaris HD 4,500 Lb. Winch | Part # 2882714



Lock & Ride Rear Panel, Poly, Clear | Part # 2883773



Lock & Ride Rear Panel, Poly | Part # 2883774

Accessories



Poly 3-Seat Sport Roof with Lock & Ride Technology, Black | Part # 2882911



Poly Front Door Set with Manual Windows, Black | Part # 2889624



Polycarbonate Full Windshield, Clear | Part # 2883278



Rear Brushguard | Part # 2882529

Accessories

