

POLARIS

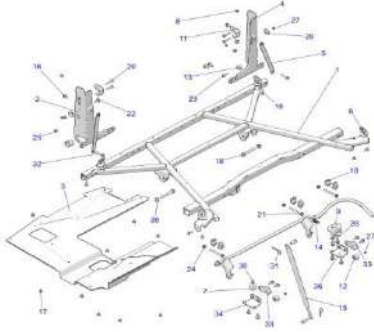
RZR

Parts Catalogue

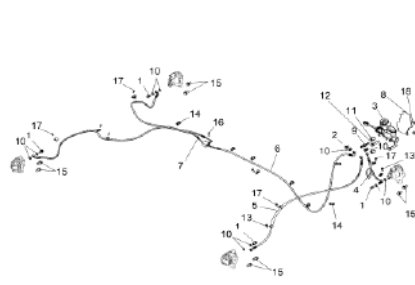


2023 RZR RANGER 570 EU ZUG TRACTOR NORDIC PRO (R02) - R23MAA57F1/SC1/C9/CK/F1/F9

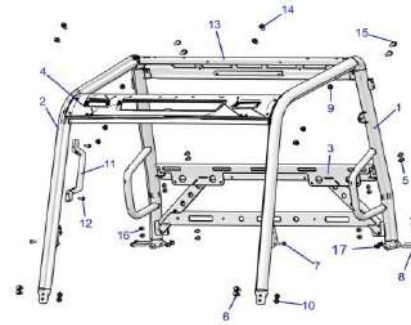
1 - BODY



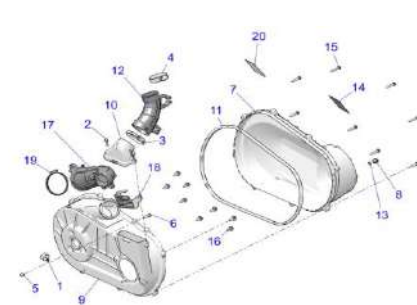
2 - BRAKES



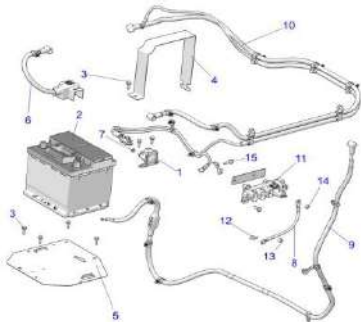
3 - CHASSIS



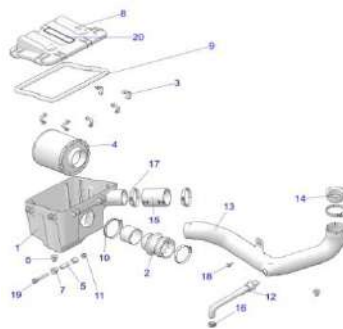
4 - DRIVE TRAIN



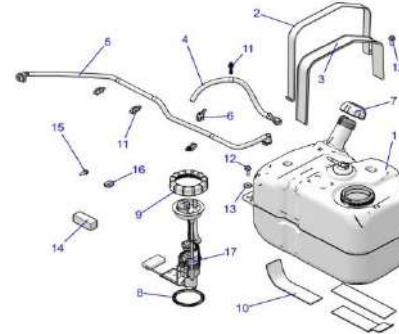
5 - ELECTRICAL



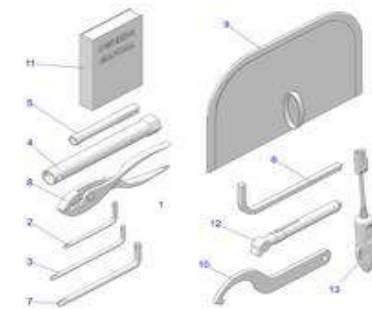
6 - ENGINE



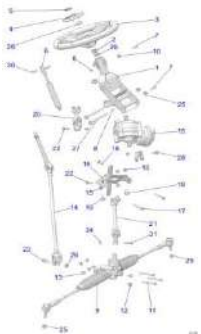
7 - FUEL SYSTEM



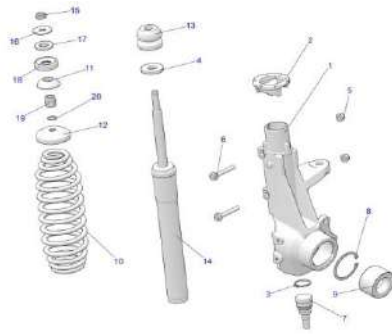
8 - OWNERS MANUAL



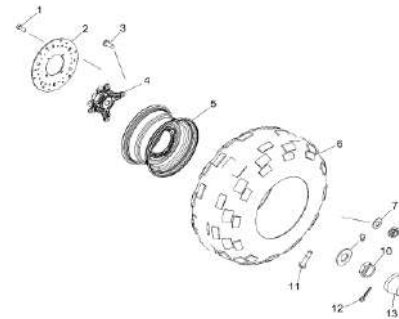
9 - STEERING



10 - SUSPENSION



11 - WHEELS

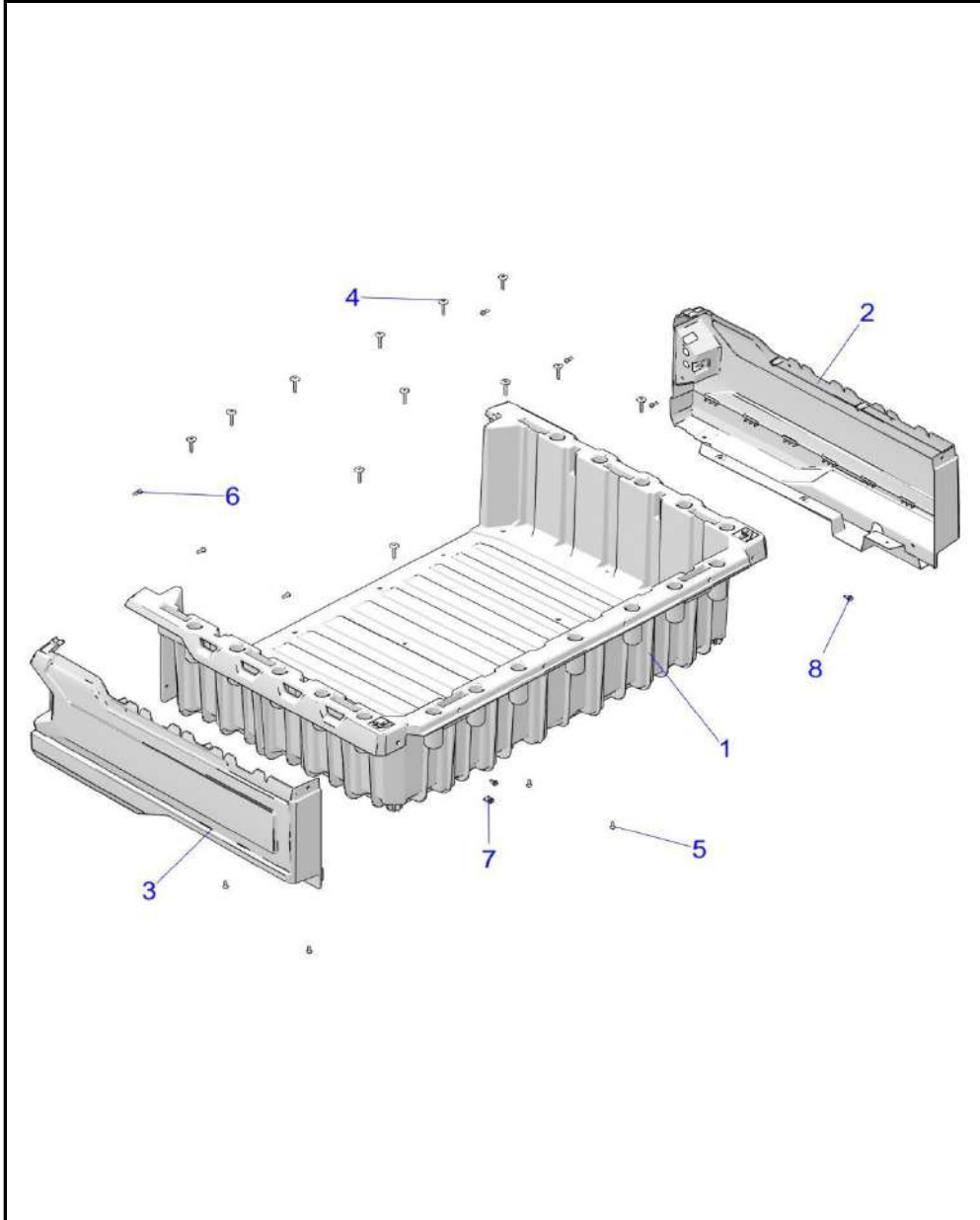


12 - ACCESSORIES



BODY, BOX ASM.

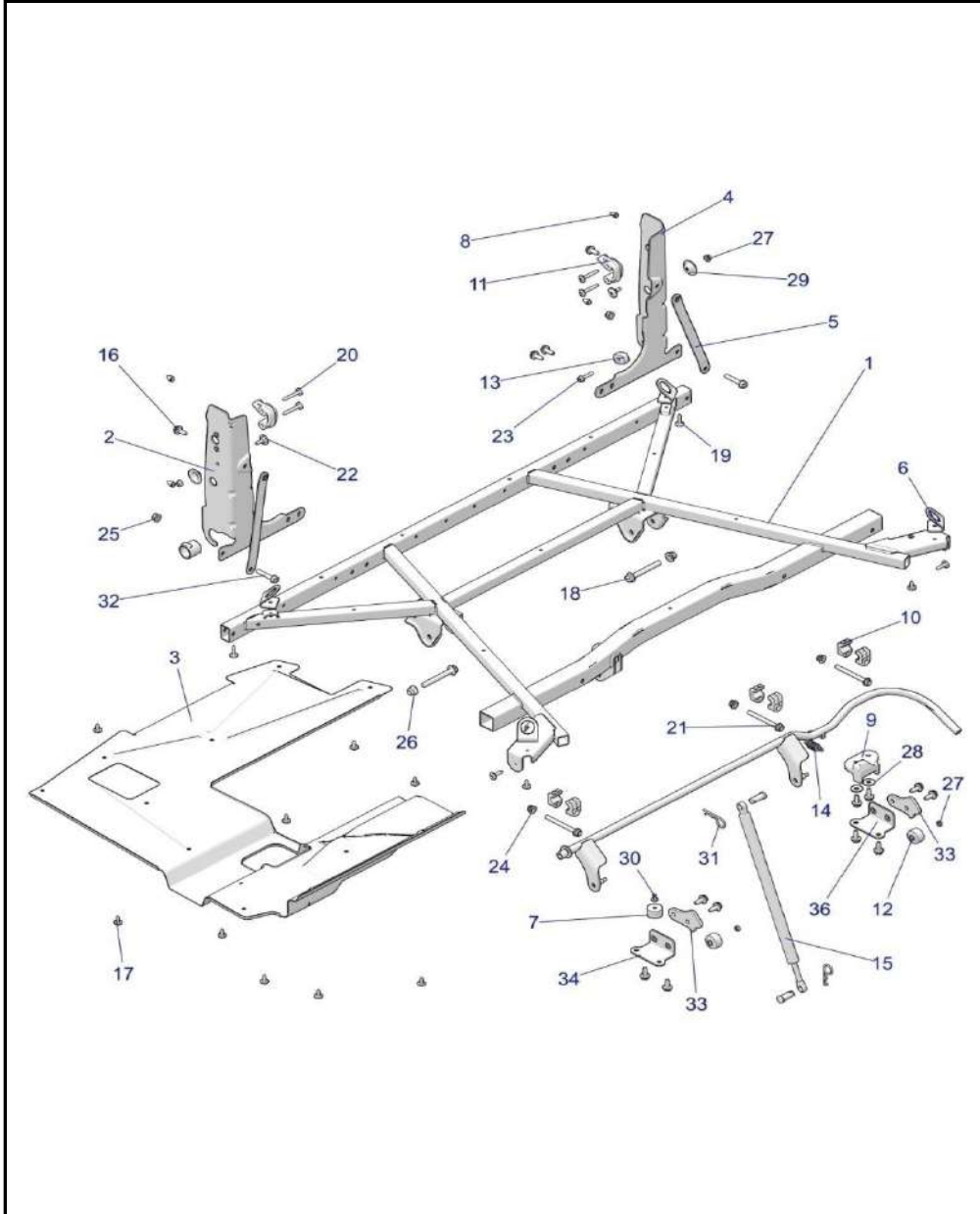
2023 RGR RANGER 570 EU ZUG TRACTOR NORDIC PRO (R02) - R23MAA57F1/SC1/C9/CK/F1/F9



POS	SAP	Part Name	Qty
1	1052285	K-BOX,CARGO, RGR 570, EU/ZUG [INCL.DECAL][A57F1][S57F1][F9]	1
1	1052286	K-BOX,CARGO, RGR 570, TR [INCL.DECAL][A57F1][C9][CK]	1
2	1052287	PANEL-BOX,LH,BLK [A57F1][S57F1][F9][S57C1]	1
2	1052288	PANEL-BOX,LH,TPO,PPC [C9]	1
2	1052289	PANEL-BOX,LH,BLACK P. [CK]	1
3	1052290	PANEL-BOX,RH,BLK [A57F1][S57F1][F9][S57C1]	1
3	1052291	PANEL-BOX,RH, TPO,PPC [C9]	1
3	1052292	PANEL-BOX,RH,BLACK P. [CK]	1
4	1046534	SCR-TXTH-M6X1.0X45 TAP ZPB	12
5	1046536	SCR-TXPH-#14X5/8 HI/LO CLR	4
6	1039758	SCR-TXPH-#14 X .75 HI-LO RIE	6
7	1052360	CLIP, U SPEED, NUT, M6	1
8	1014589	RIVET-TUFLOK,.315-.325X.787	2

BODY, BOX MOUNTING

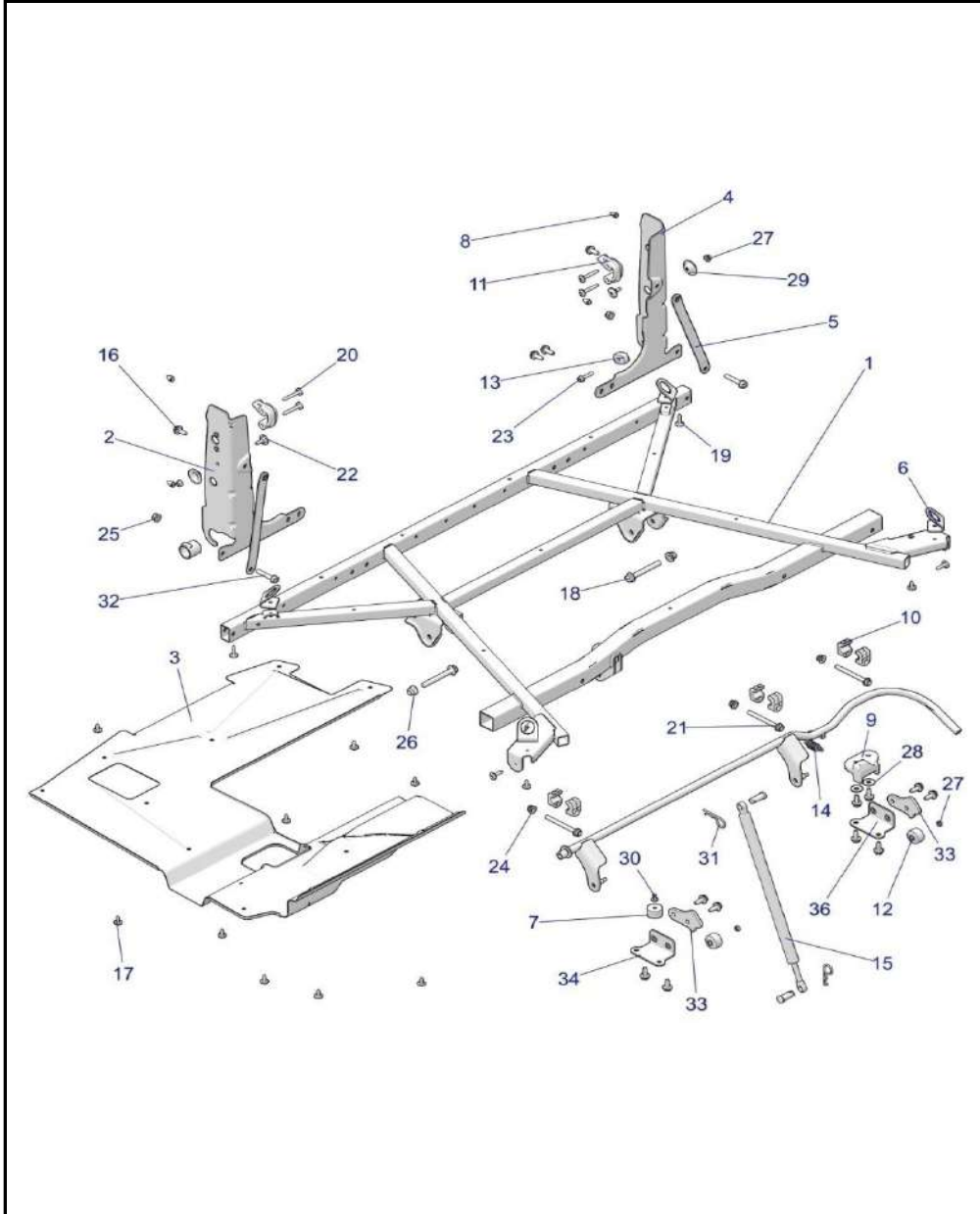
2023 RGR RANGER 570 EU ZUG TRACTOR NORDIC PRO (R02) - R23MAA57F1/SC1/C9/CK/F1/F9



POS	SAP	Part Name	Qty
1	1052294	WELD-BOX SUPPORT,SHORT,BLK	1
2	1052295	WELD-TAILGATE SUPPORT,RH,M.BLK	1
3	1052296	SHIELD-BOX,CARGO	1
4	1052297	BRKT-TAILGATE UPRIGHT,LH,M.BLK	1
5	1052298	BRKT-TAILGATE SUPPORT,BLK	2
6	1046533	BRKT-TIE DOWN	4
7	1046539	BUMPER, BOX	1
8	1046527	BUMPER-RUBBER,TAILGATE	4
9	1052299	BUMPER-STOP,LOCATE	1
10	1046540	BUSHING, BOX, LATCH	6
11	1052300	LATCH-TAILGATE HOOK	2
12	1047177	ROLLER-CAM,LATCH	2
13	1052301	CAST-TAILGATE,SUPPORT	1
14	1047175	SPRING-EXHAUST	1
15	1014017	SHOCK-BOX,DUMP,LG,SINGLE LOBE	1
16	1039688	SCR-TFHFL-M8X1.25X20 CHS ZOD	AR
17	1014437	SCR-M6X1X16 TR/TX-M	11
18	1014457	SCR-HXFL-M10X1.25X80 8.8 ZOD	2
19	1014459	SCR-TXTH-M6X1.0X25 ZFB	4
20	1052302	SCR-TXTH-M6X1.0X45 RIE	4
21	1052303	SCR-HXFL-M8X1.25X85 10.9 ZFB	3
22	1046532	SCR-TXTH-M6X1.0X20 ZPB SHDR	2
23	1052304	SCR-HXFL-M6X1.0X30 10.9 ZFB	1
24	1046547	NUT-M8X1.25,HXFLG,NYLON INS	3
25	1014499	NUT- M8X1.25, FLG, NYLOC-OLIVE D	2
26	1014500	NUT-M10X1.25, FLG, NYLOC-OLIVE D	2
27	1039784	NUT-M6X1.0, FLG-NYLOC-OLIVE D	5
28	1047268	WASHER-8.4X24.0X2.0 ZPB	2
29	1052305	WSHR-7.1X35.3X9.7 ZTB	2
30	1046746	RIVET-POP 3/16 (.376-.500) AL-LFB	1

BODY, BOX MOUNTING

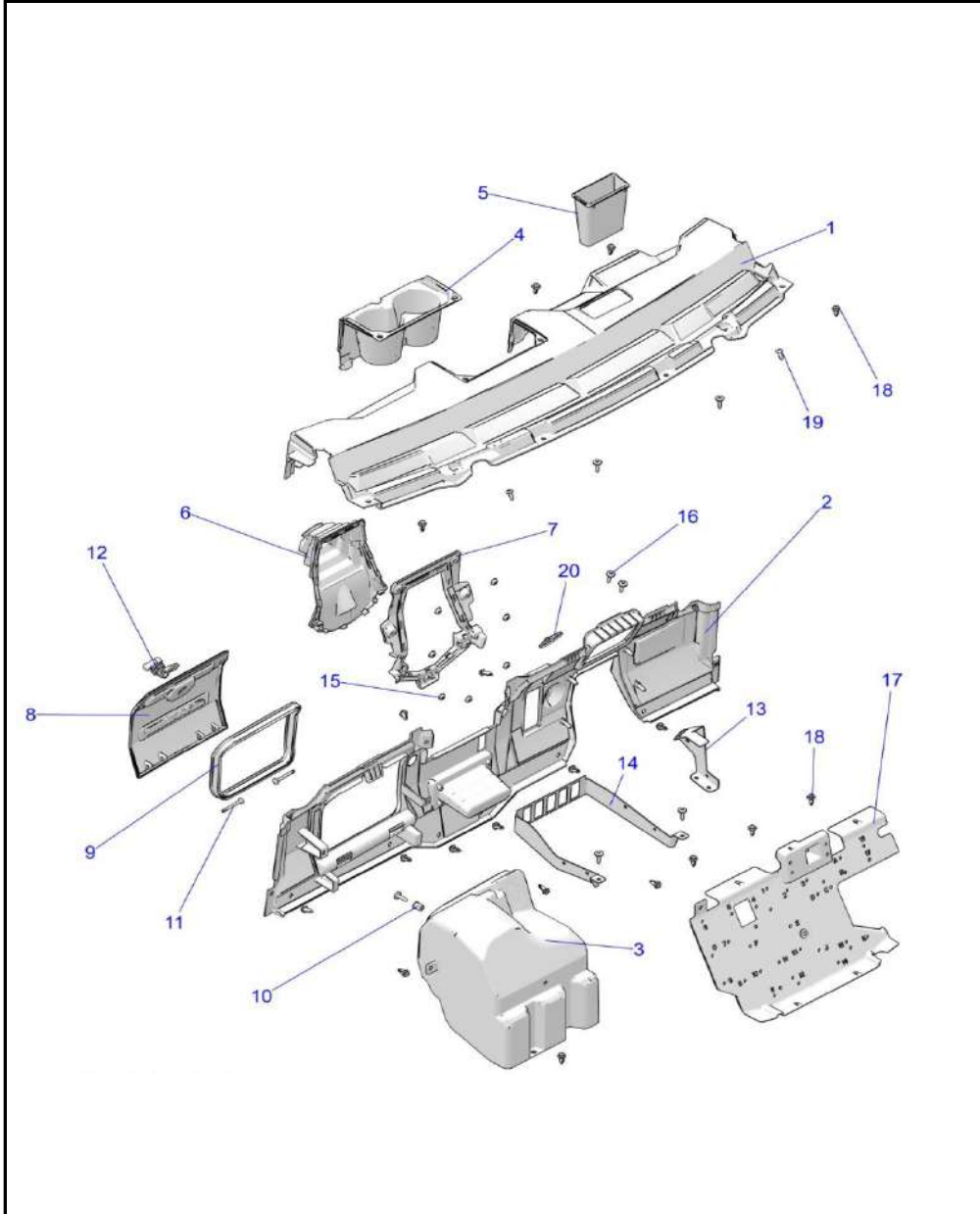
2023 RGR RANGER 570 EU ZUG TRACTOR NORDIC PRO (R02) - R23MAA57F1/SC1/C9/CK/F1/F9



POS	SAP	Part Name	Qty
31	1040152	CLIP-HITCHPIN .148X3 1/16	2
32	1052306	SCR-HXFL-M8X1.25X45 10.9 ZFB	2
33	1047179	BRKT-PLATE,CAM,ECOAT	2
34	1052307	BKT-SPACER,BLK	2

BODY, DASH

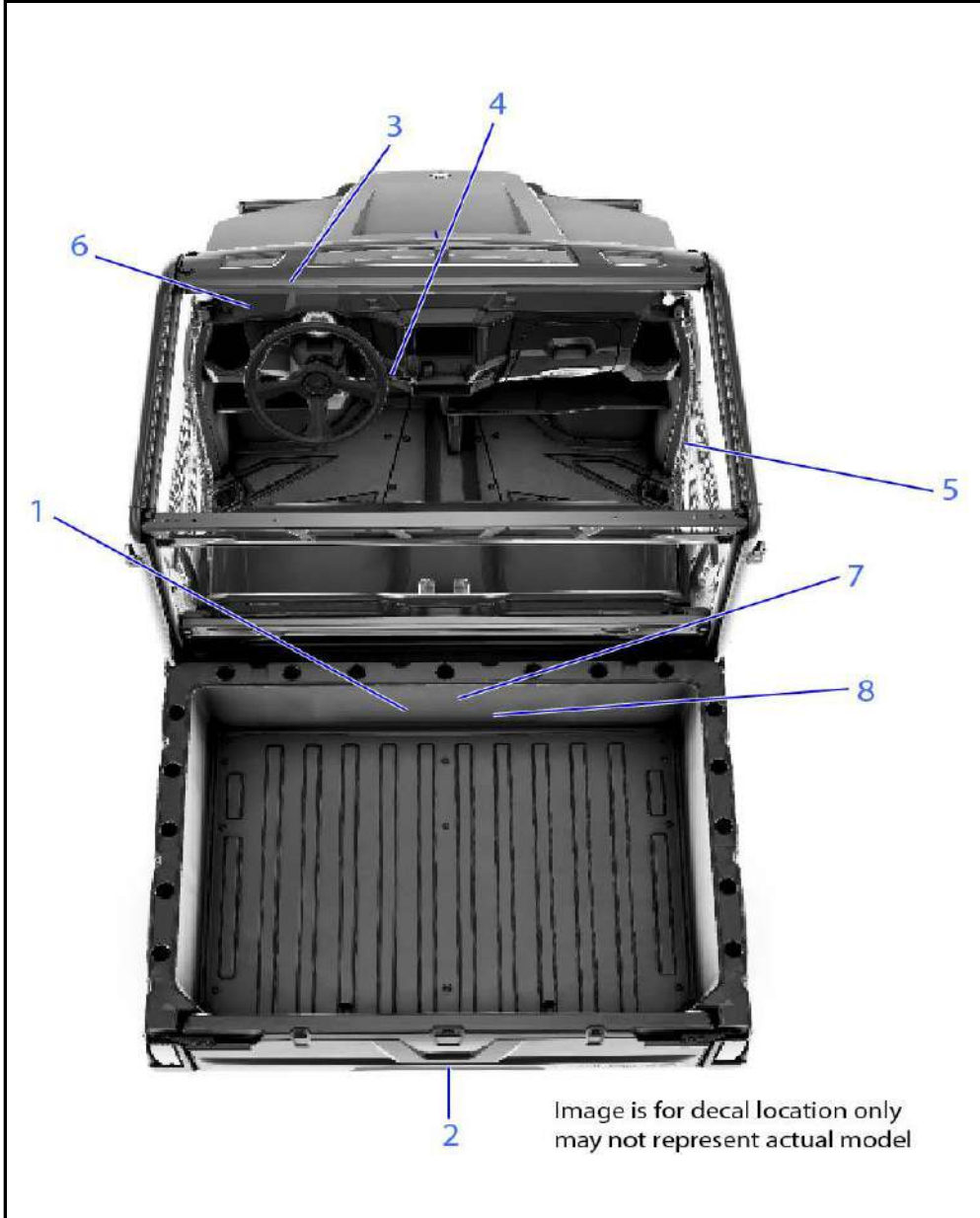
2023 RGR RANGER 570 EU ZUG TRACTOR NORDIC PRO (R02) - R23MAA57F1/SC1/C9/CK/F1/F9



POS	SAP	Part Name	Qty
1	1052308	K-DASH PANEL UPR, EU [INCL. DECAL][A57F1]	1
1	1052309	K-DASH PANEL UPR, RGR 570 TR/ZUG [INCL. DECAL][C9][S57F1][F9][C1]	1
1	1052310	K-DASH PANEL UPR, RGR 570 TR [INCL. DECAL][CK]	1
2	1052311	K-DASH PANEL,MID,RGR,EU/TR/ZUG [INCL. DECAL][A57F1][S57F1][C1]	1
2	1052312	K-DASH,PANEL,MID,RGR,TR [INCL. DECAL][CK]	1
2	1052313	K-DASH,PANEL,MID,RGR,TR [INCL. DECAL][C9][F9]	1
3	1052314	BIN-GLOVEBOX,BLK	1
4	1052315	CENTER TRAY-DASH,BLK	1
5	1052316	HOLDER-DASH,CELLPHONE	1
6	1052317	ASM-STEERING GROMMET [INCL.7]	1
7	1040279	COVER-STEERING COLUMN	
8	1052318	COVER-GLOVEBOX,BLK [INCL. BADGE]	1
9	1052319	SEAL-GLOVEBOX	1
10	1052320	WELLNUT-M6X1.0	1
11	1039564	PIN-HINGE,GLOVEBOX	2
12	1014063	LATCH, 1/4 TURN, CAM	1
13	1052321	BRKT-DASH SUPPORT, TOP,BLK	1
14	1052322	BRKT-DASH SUPPORT,CENTER,BLK	1
15	1039814	SPEED NUT-WASHER, HEAD-1/4	7
16	1014459	SCR-TXTH-M6X1.0X25 ZFB	AR
17	1052323	PANEL-ELEC MOUNT,BLK [CK]	19
18	1045772	SCR-TX TRUSS-#14X3/4, HI/LO ZBK	AR
19	1014589	RIVET-TUFLOK,.315-.325X.787	2
20	1039612	PANDUIT STRAP	1

BODY, DECALS, GENERAL

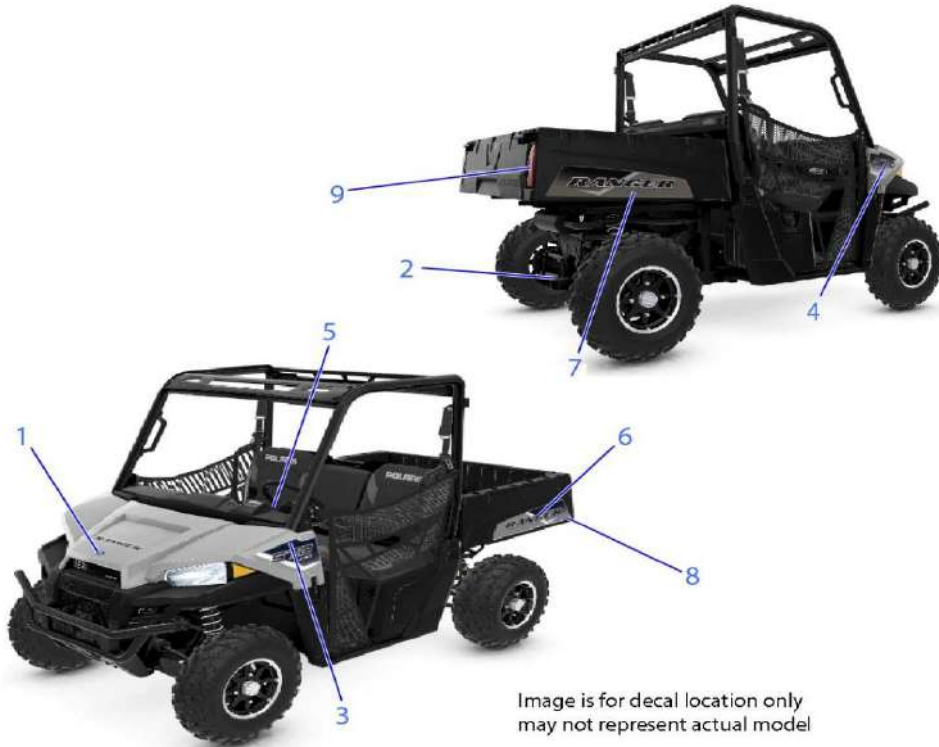
2023 RGR RANGER 570 EU ZUG TRACTOR NORDIC PRO (R02) - R23MAA57F1/SC1/C9/CK/F1/F9



POS	SAP	Part Name	Qty
1	1052324	DECAL-WARN,PASS/TIREPR,MID,EU	1
2	1052325	DECAL-HITCH,EU MID.RANGER [A57F1]	1
3	1052326	DECAL-CAUT,SHIFT/APPLYBRAKE,EU	1
4	1047205	DECAL-IGN.LIGHTING,TRC/ZUG UV	1
5	1045543	DECAL-WARN,FUEL DYR2014/94/EU [A57F1][C9][CK][C1]	1
6	1046585	DECAL-WARN,GEN,RGR 1000,HD [A57F1][S57F1]	1
6	1046584	DECAL-WARN,GENERAL,TR/ZUG RGR [S57F1][A57F1][C9][CK][C1]	1
7	1040121	DECAL-WARN,JACKING POINT [A57F1][C9][CK][C1]	1
8	1040123	DECAL-WARN,GREASING POINT [A57F1][C9][CK][C1]	1

BODY, DECALS, GRAPHIC

2023 RGR RANGER 570 EU ZUG TRACTOR NORDIC PRO (R02) - R23MAA57F1/SC1/C9/CK/F1/F9



POS	SAP	Part Name	Qty
1	1052327	K-DEALER,POLARIS BADGE,LRG,NFC	1
2	1040279	DECAL-HITCH,EU MID.RANGER	1
3	1052328	DECAL-FR.FNDR,SIDE,570,LH [A57F1][S57F1][C1]	1
3	1052329	DECAL-FR.FNDR,SIDE,570,LH [C9][F9]	1
3	1052330	DECAL-FR.FNDR,SIDE,570,LH [CK]	1
4	1052331	DECAL-FR.FNDR,SIDE,570,RH [A57F1][S57F1][C1]	1
4	1052332	DECAL-FR.FNDR,SIDE,570,RH [C9][F9]	1
4	1052333	DECAL-FR.FNDR,SIDE,570,RH [CK]	1
5	1047217	DECAL-EPS,ORV [C9][CK][S57F1][F9][C1]	1
6	1052334	DECAL-BOX,SIDE,RGR SP,LH [A57F1][S57F1][C1]	1
6	1052335	DECAL-BOX,SIDE,RGR SP,LH [C9]	1
6	1052336	DECAL-BOX,SIDE,RGR,SP,LH [CK]	1
7	1052337	DECAL-BOX,SIDE,RGR SP,RH [A57F1][S57F1][C1]	1
7	1052338	DECAL-BOX,SIDE,RGR SP,RH [C9]	1
7	1052339	DECAL-BOX,SIDE,RGR,SP,RH [CK]	1
8	1052340	DECAL-BOX,SIDE,RGR,NP [CK]	2

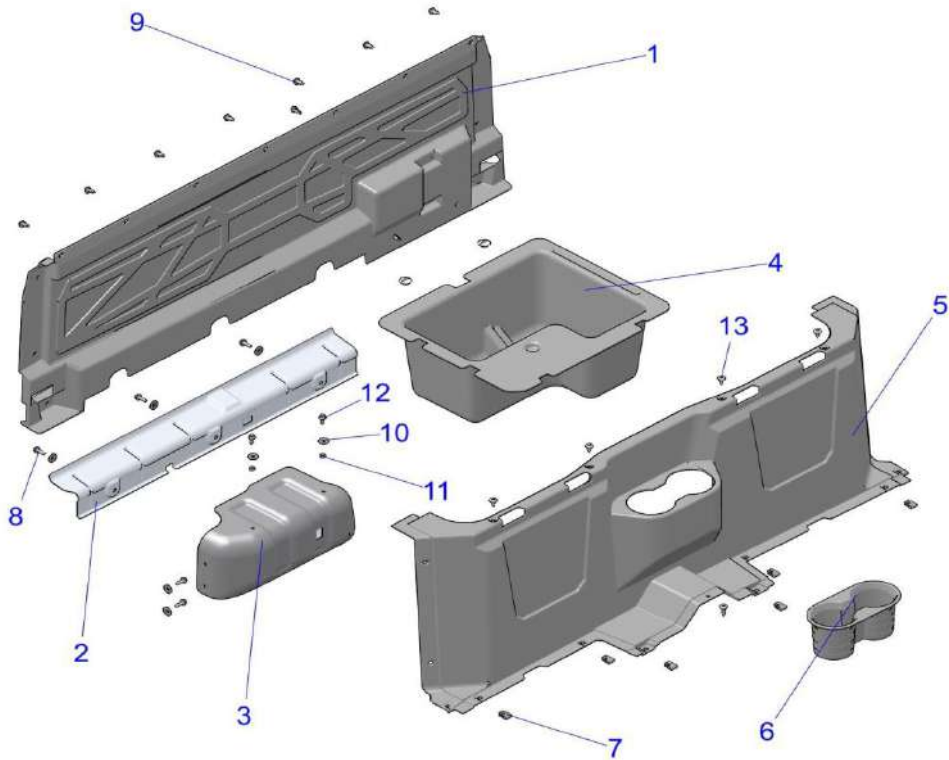
BODY, FLOOR and ROCKERS

2023 RGR RANGER 570 EU ZUG TRACTOR NORDIC PRO (R02) - R23MAA57F1/SC1/C9/CK/F1/F9

POS	SAP	Part Name	Qty
1	1052341	ROCKER-LOWER,RH,BLK	1
2	1052342	ROCKER-LOWER,LH,BLK	1
3	1052343	FLOOR-FRONT,BLK	1
3	1052344	FLOOR-FLOOR-FRONT, RTR, HT [CK]	1
4	1052345	ROCKER-UPPER,RH,BLK	1
4	1052346	ROCKER-UPPER,RTR,RH,BLK [CK]	1
5	1052347	ROCKER-UPPER,LH,BLK	1
5	1052348	ROCKER-UPPER,RTR,LH,BLK [CK]	1
6	1052349	COVER-TUNNEL FLOOR,BLK	1
6	1052350	K-CVR, FLOOR, RGR, MS 570 [INCL. 6]	1
7	1052351	FLOOR-MAIN,RH,BLK	1
8	1052352	FLOOR-MAIN,LH,BLK	1
9	1052353	NET-BIN-CENTER,BLK [A57F1][C9][S57F1][F9][C1]	1
10	1052354	NET-BIN-RH,BLK	1
11	1052355	NET-BIN-LH,BLK	1
12	1014589	RIVET-TUFLOK,.315-.325X.787	AR
13	1014459	SCR-TXTH-M6X1.0X25 ZFB	AR
14	1014509	NUT-M6-1.0, U-TYPE (2.5-3.8)	AR
15	1052356	Screw, Flange	1
16	1014423	SCREW-#10X3/4-HI/LO-PN-T25,TRX-M	AR
17	1052357	COVER-HEATER,CAB,BLK [CK]	1
18	1052358	GROMMET-BRAKE CYLINDER [CK]	1
19	1052359	SEAL, FOAM, INTAKE	2
20	1045597	BRKT, J MOUNT, INJ, RZN	2
21	1052360	CLIP, U SPEED, NUT, M6	2
22	1052361	WHEEL-LINER,REAR,LH,BLK	1
23	1052362	WHEEL-LINER,REAR,RH,BLK	1

BODY, FLOOR CLOSEOFFS and BIN

2023 RGR RANGER 570 EU ZUG TRACTOR NORDIC PRO (R02) - R23MAA57F1/SC1/C9/CK/F1/F9

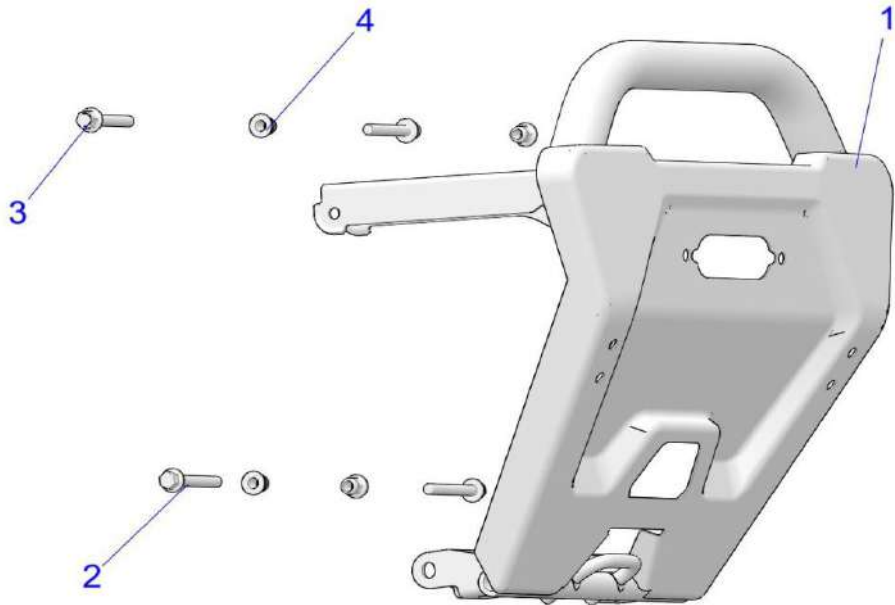


POS	SAP	Part Name	Qty
1	1052363	CLOSEOFF-REAR,LOWER,BLK	1
2	1052364	SHIELD-HEAT, CLOSE-OFF	1
3	1052365	SHIELD-HEAT,FLOOR-REAR	1
4	1052366	BIN-STORAGE, CENTER,BLK	1
5	1052367	CLOSEOFF-SEAT,RTR,INTL,BASE,BK	1
5	1052368	CLOSEOFF-SEAT,RTR,INTL,BLK [CK]	1
6	1052369	CUPHOLDER-TRIM,SEAT	1
7	1014509	NUT-M6-1.0, U-TYPE (2.5-3.8)	AR
8	1039683	SCR-M6X1.0X20, HXHD, FLG, TDFM, BK	AR
9	1014589	RIVET-TUFLOK,.315-.325X.787	AR
10	1040438	WASHER-.28 X .81 X .06, ST-M	7
11	1039777	NUT-HEXHD,M6,DIN980V,0600100	2
12	1039700	SCREW-HXFL-M6X1.0X16 8.8 ZPB	2
13	1014437	SCR-M6X1X16 TR/TX-M	4

BODY, FRONT BUMPER

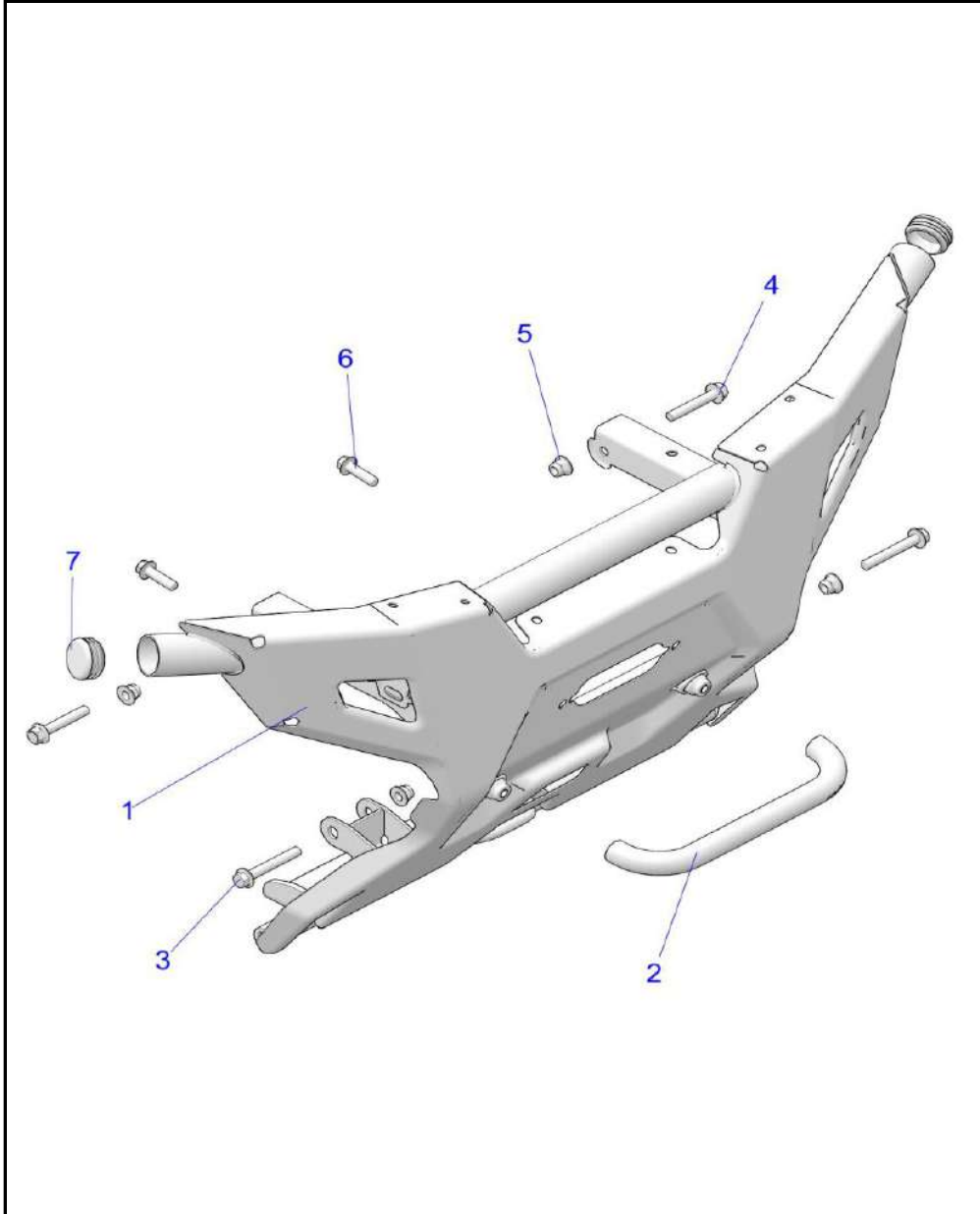
2023 RGR RANGER 570 EU ZUG TRACTOR NORDIC PRO (R02) - R23MAA57F1/SC1/C9/CK/F1/F9

POS	SAP	Part Name	Qty
1	1052370	WELD-BUMPER,BASE,BLK	1
2	1039692	BOLT-M10X1.25X70,HXFLG-OLIVE D	2
3	1014454	SCR-HXFL-M10X1.25X60 10.9 ZOD	2
4	1014500	NUT-M10X1.25, FLG, NYLOC-OLIVE D	4



BODY, FRONT BUMPER

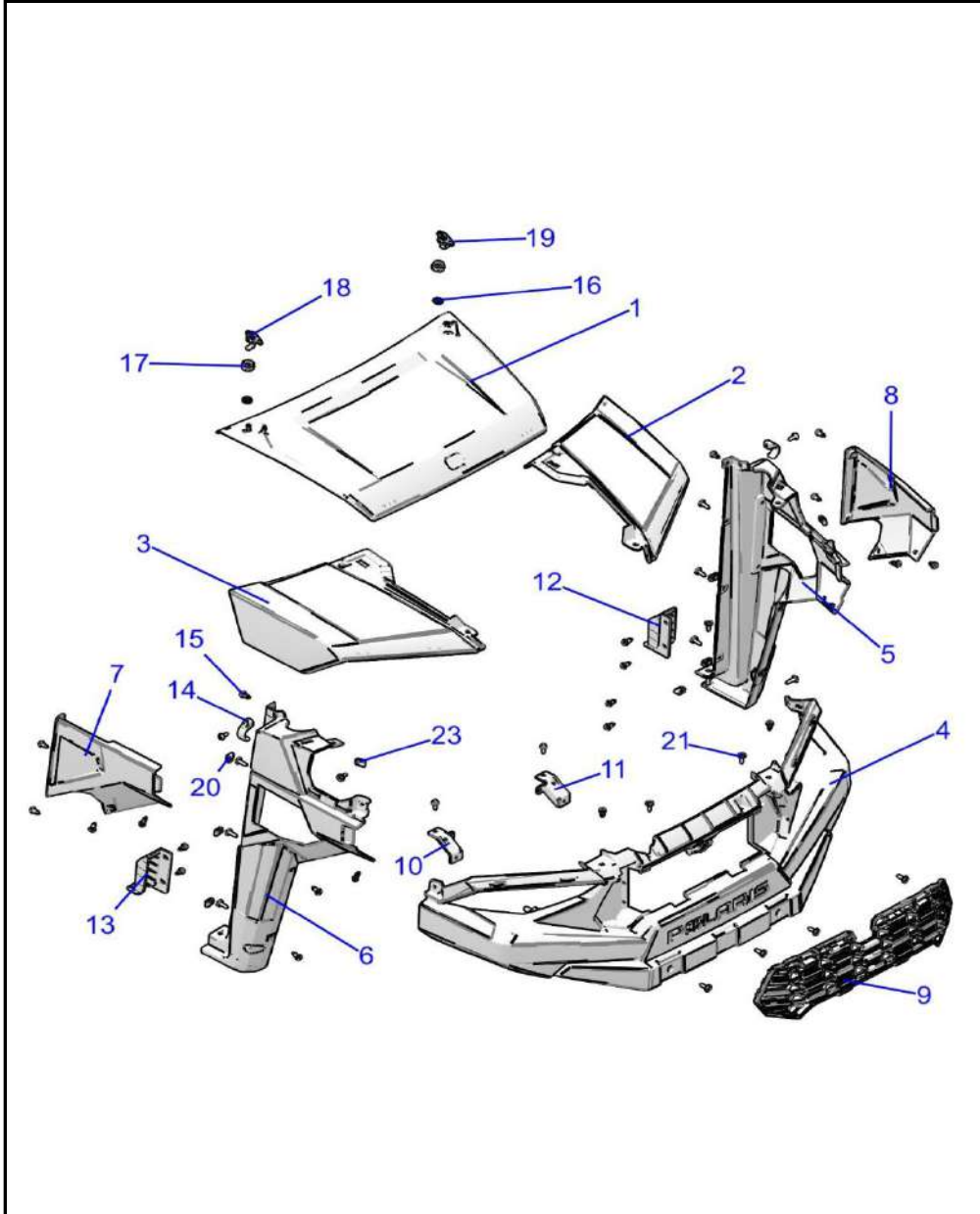
2023 RGR RANGER 570 EU ZUG TRACTOR NORDIC PRO (R02) - R23MAA57F1/SC1/C9/CK/F1/F9



POS	SAP	Part Name	Qty
1	1052371	WELD-BUMPER,PREM,BLK	1
2	1041411	WELD-CATCH,PLOW,M.BLK	1
3	1039692	BOLT-M10X1.25X70,HXFLG-OLIVE D	2
4	1014454	SCR-HXFL-M10X1.25X60 10.9 ZOD	2
5	1014500	NUT-M10X1.25, FLG, NYLOC-OLIVE D	4
6	1039702	SCR-HXFL-M10X1.5X35 8.8 ZPC	2
7	1011826	CAP-BUMPER	2

BODY, HOOD, and FRONT FENDERS

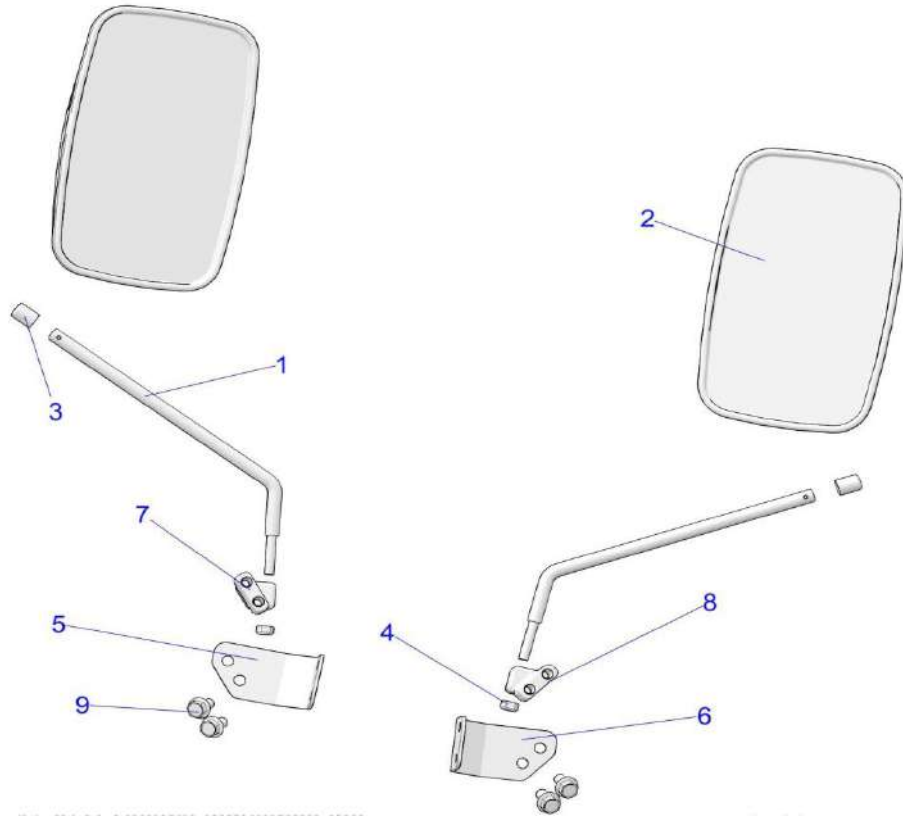
2023 RGR RANGER 570 EU ZUG TRACTOR NORDIC PRO (R02) - R23MAA57F1/SC1/C9/CK/F1/F9



POS	SAP	Part Name	Qty
1	1052372	HOOD-CENTER,RTR,S.GRN [A57F1][S57F1][C1]	1
1	1052373	HOOD-CENTER,TPO,PPC [F9][C9]	1
1	1052374	HOOD-CENTER,BLACK P. [CK]	1
2	1052375	HOOD-FRONT,LH,S.GRN [A57F1][S57F1][C1]	1
2	1052376	HOOD-FRONT,LH,TPO,PPC [F9][C9]	1
2	1052377	HOOD-FRONT,LH,BLACK P. [CK]	1
3	1052378	HOOD-FRONT,RH,S.GRN [A57F1][S57F1][C1]	1
3	1052379	HOOD-FRONT,RH,TPO,PPC [F9][C9]	1
3	1052380	HOOD-FRONT,RH,BLACK P. [CK]	1
4	1052381	FASCIA-FRONT,UPPER,BLK	1
5	1052382	FLARE-FRONT,LH,BLK	1
6	1052383	FLARE-FRONT,RH,BLK	1
7	1052384	ROPS PANEL-FRONT,RH,BLK	1
8	1052385	ROPS PANEL-FRONT,LH,BLK	1
9	1052386	FASCIA-GRILL,FRONT,BASE,BLK	1
10	1052387	BRKT-FASCIA MOUNT,RH,M.BLK	1
11	1052388	BRKT-FASCIA MOUNT,LH,M.BLK	1
12	1052389	P-POINT,FRONT,LH,BLK	1
13	1052390	P-POINT,FRONT,RH,BLK	1
14	1045597	BRKT, J MOUNT, INJ, RZN	2
15	1014589	RIVET-TUFLOK,.315-.325X.787	AR
16	1014517	WASHER-.510X.840X.031 Y	2
17	1011795	GROMMET, LATCH	2
18	1052391	LATCH-1/4 TURN,RH	1
19	1045094	LATCH, 1/4 TURN	1
20	1014509	NUT-M6-1.0, U-TYPE (2.5-3.8)	AR
21	1014459	SCR-TXTH-M6X1.0X25 ZFB	AR
23	1052360	CLIP, U SPEED, NUT, M6	2

BODY, MIRRORS

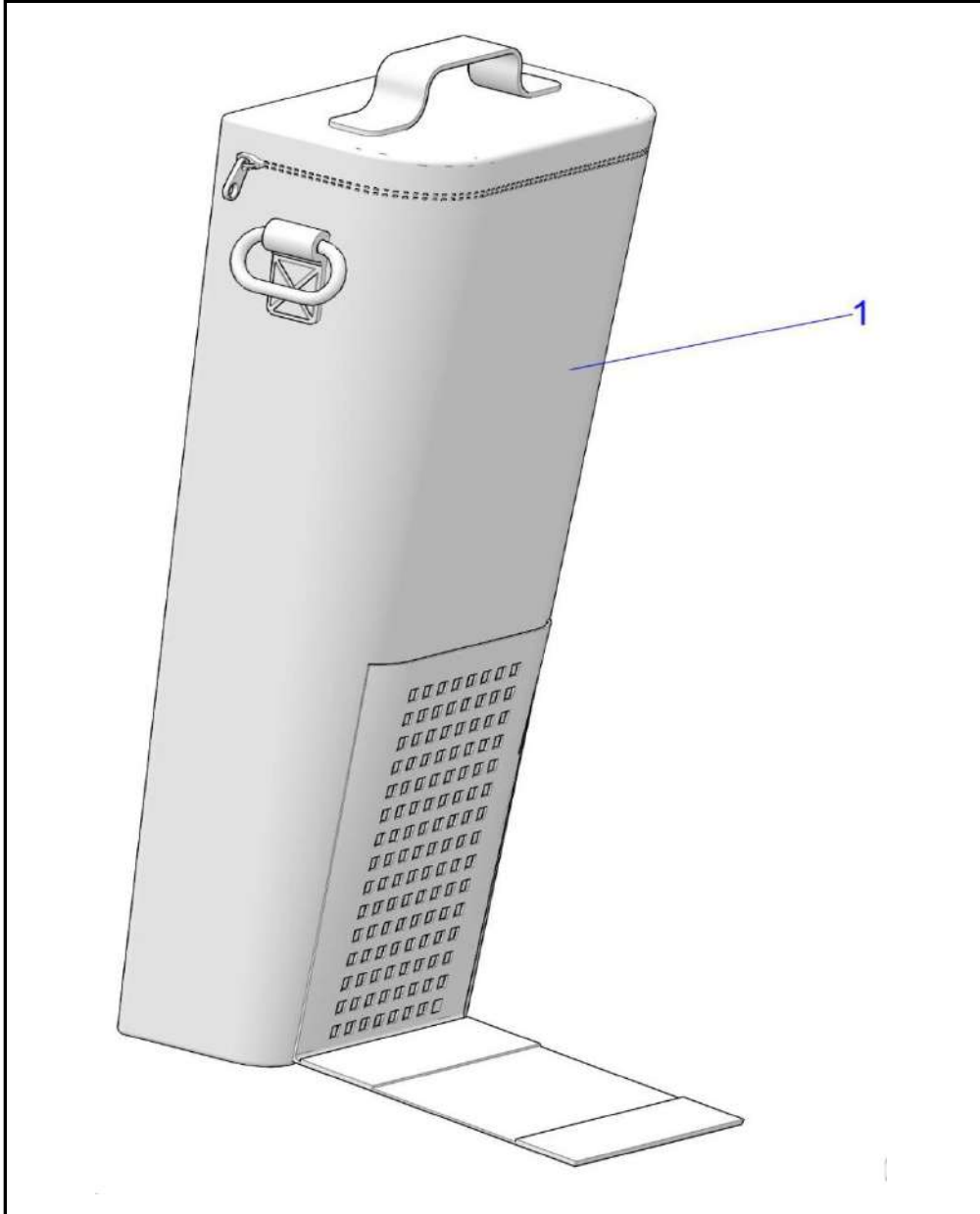
2023 RGR RANGER 570 EU ZUG TRACTOR NORDIC PRO (R02) - R23MAA57F1/SC1/C9/CK/F1/F9



POS	SAP	Part Name	Qty
	1040144	ASM-MIRROR,SET,TRACTOR [INCL. 1-4]	1
1	1011691	MIRROR ARM,M.BLK	2
2	1011968	MIRROR CERT R46,TR	2
3	1011972	PLUG-MIRROR ARM	2
4	1014497	NUT-HEX,M8X1.25,NYLOCK-SS	2
5	1052393	BRKT-MIRROR,RGR 570,LH,BLK	1
6	1052394	BRKT-MIRROR,RGR 570,RH,BLK	1
7	1012189	Mount, Mirror, Cast, LH, Matte' Black	1
8	1012190	Mount, Mirror, Cast, RH, Matte' Black	1
9	1052395	SCR-3/8-16X3/4 HX FLNG-GR5-Y	4

BODY, POCKET UPFIT

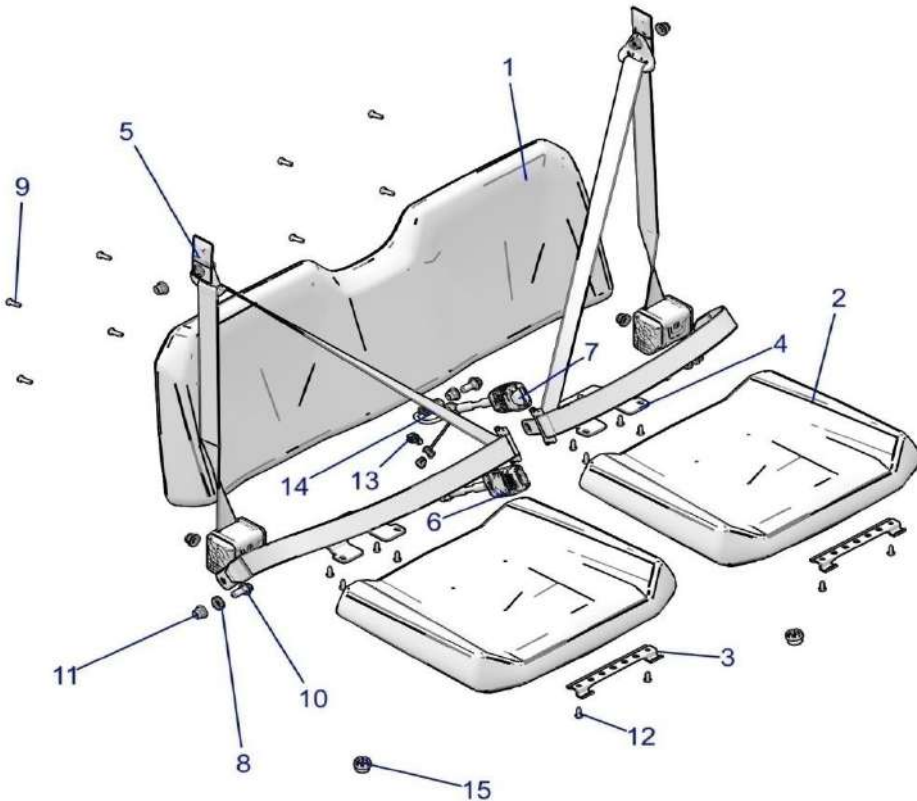
2023 RGR RANGER 570 EU ZUG TRACTOR NORDIC PRO (R02) - R23MAA57F1/SC1/C9/CK/F1/F9



POS	SAP	Part Name	Qty
1	1052396	ASM-POCKET,RGR TRACTOR,UPFIT	1

BODY, SEAT AND BELTS

2023 RGR RANGER 570 EU ZUG TRACTOR NORDIC PRO (R02) - R23MAA57F1/SC1/C9/CK/F1/F9



POS	SAP	Part Name	Qty
1	1052397	ASM., SEAT, BACK, BLACK	1
2	1052401	ASM-SEAT,BTM,40,BLK	2
3	1046655	BRACKET, SEAT, HINGE, DOUBLE	2
4	1052403	BRKT-SEAT,INTL,M/BLK	2
5	1045618	ASM-SEAT BELT,3PT	2
6	1046671	BUCKLE-SEATBELT,PASSENGER,TR	1
7	1046670	BUCKLE-SEATBELT,90,SWITCH,TR	1
8	1045833	WASHER-SEATBELT,RUBBER	4
9	1039666	SCREW, #14X1 HI/LO-PH-PN TRX-M	8
10	1046672	SCR-HXFLSH-M12X1.75-M14X9 ZOD	4
11	1040256	NUT-HXFL M12X1.75 8 ZOD NYL	8
12	1045772	SCR-TX TRUSS-#14X3/4, HI/LO ZBK	AR
13	1047328	STRAP-CABLE TIEW/EDGECLIP3-6MM	1
14	1046673	CLIP-CONNECTOR, 6.35 MM HOLE	1
15	1047292	GROMMET	2

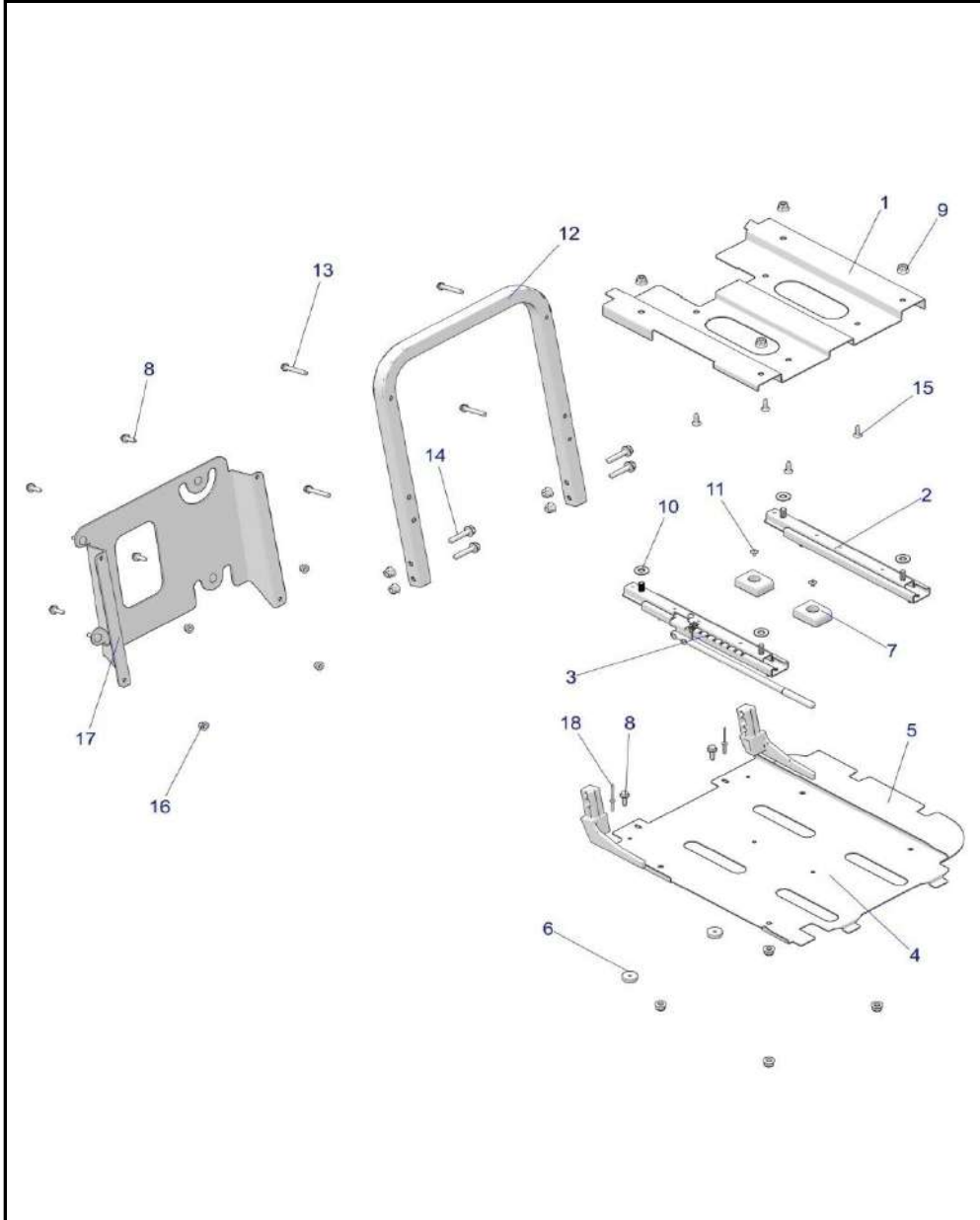
BODY, SEAT AND BELTS

2023 RGR RANGER 570 EU ZUG TRACTOR NORDIC PRO (R02) - R23MAA57F1/SC1/C9/CK/F1/F9

POS	SAP	Part Name	Qty
1	1052400	ASM-SEAT,RGR,BACK,TR,BLK	2
2	1052401	ASM-SEAT,BTM,40,BLK	1
3	1052402	ASM-SEAT,BTM,40,BLK	1
4	1046655	BRACKET, SEAT, HINGE, DOUBLE	1
5	1052403	BRKT-SEAT,INTL,M/BLK	1
6	1045618	ASM-SEAT BELT,3PT	2
7	1046671	BUCKLE-SEATBELT,PASSENGER,TR	1
8	1046670	BUCKLE-SEATBELT,90,SWITCH,TR	1
9	1047292	GROMMET	1
10	1046672	SCR-HXFLSH-M12X1.75-M14X9 ZOD	4
11	1040256	NUT-HXFL M12X1.75 8 ZOD NYL	8
12	1045772	SCR-TX TRUSS-#14X3/4, HI/LO ZBK	2
13	1047328	STRAP-CABLE TIEW/EDGECLIP3-6MM	1
14	1046673	CLIP-CONNECTOR, 6.35 MM HOLE	1
15	1045833	WASHER-SEATBELT,RUBBER	4

BODY, SEAT SLIDER DRIVERS SEAT

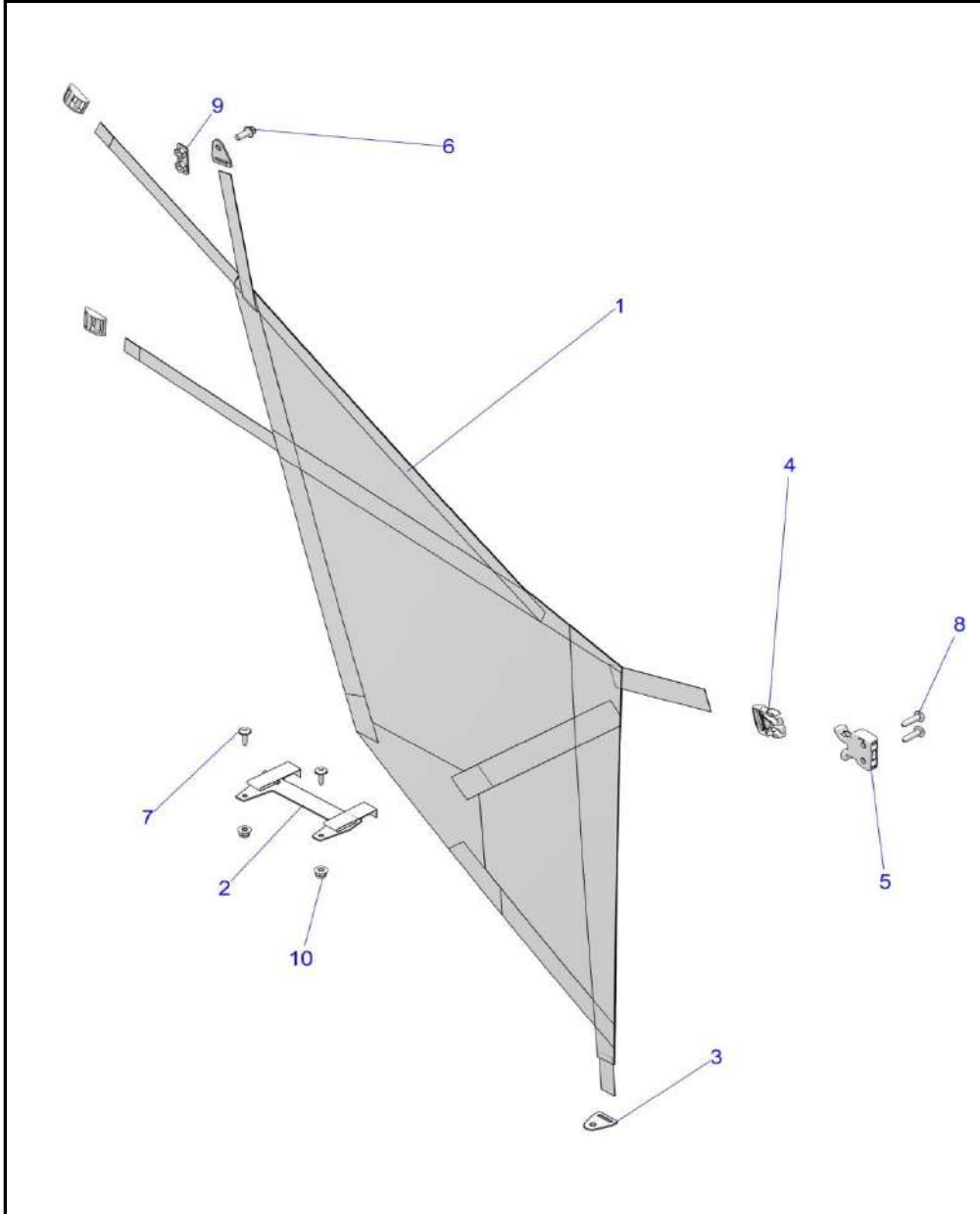
2023 RGR RANGER 570 EU ZUG TRACTOR NORDIC PRO (R02) - R23MAA57F1/SC1/C9/CK/F1/F9



POS	SAP	Part Name	Qty
1	1046642	WELD-SLIDE,SEAT,TOP,BLK	1
2	1047300	SEAT ADJUSTER SLIDER LH, 6INCH	1
3	1048370	SLIDER-SEAT ADJUSTER,RH,4IN	1
4	1052404	BRKT-SEAT,BOTTOM,BLK	1
5	1052405	BRKT-SLIDER COVER,BLK	1
6	1046645	BUMPER-SEAT	2
7	1046646	SLIDE-SEAT,CENTER	2
8	1039683	SCR-M6X1.0X20, HXHD, FLG, TDFM, BK	6
9	1014499	NUT- M8X1.25, FLG, NYLOC-OLIVE D	12
10	1047303	WASHER-10.5X22.0X2.0	4
11	1052406	RVT-3/16(.020-.200)AL-BULBX-B	2
12	1052407	TUBE, SEAT, BACK, MATTE BLACK	1
13	1014425	SCR-#14X1-3/4 LG,HI/LO/TAPER-M	4
14	1045323	SCR-M8X1.25X40 10.9 HX/FL ZOD	4
15	1045772	SCR-TX TRUSS-#14X3/4, HI/LO ZBK	8
16	1039782	NUT, M6 FLANGE, NYLOC	4
17	1052408	WELD-SEAT BACK SUPPORT TR,BLK [A57F1][C9][CK][C1]	1
18	1052409	RIVET-5/32 BULBEX-B	2

BODY, SIDE NETS

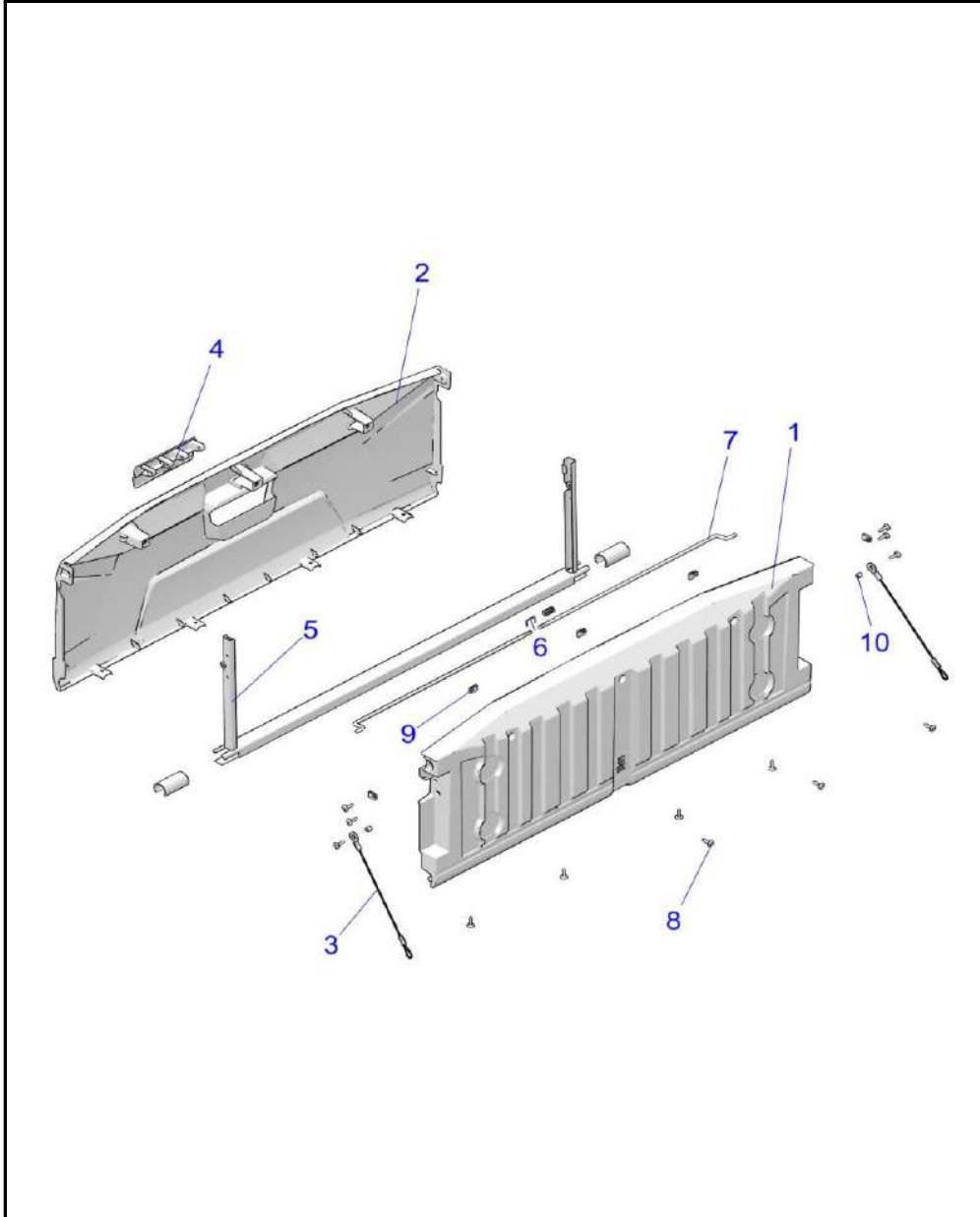
2023 RGR RANGER 570 EU ZUG TRACTOR NORDIC PRO (R02) - R23MAA57F1/SC1/C9/CK/F1/F9



POS	SAP	Part Name	Qty
1	1052410	NETS-DOOR,MID,FRONT [INCL. 2-3]	1
2	1052411	MOUNT-NET,SEAT	2
3	1052412	MOUNT-NET,LOWER	2
4	1052413	BUCKLE-MALE	2
5	1052414	BUCKLE-FEMALE [TO 07/18/2022]	2
5	1052415	BUCKLE-FEMALE [FROM 07/18/2022]	2
6	1052416	SCR-HEXFLGHD,M8 X 20,0600086(10)	2
7	1014459	SCR-TXTH-M6X1.0X25 ZFB	4
8	1014464	SCR-HXFL-M8X1.25X35 8.8 ZPB	4
9	1046610	PLATE, HINGE, BLACK	2
10	1052417	NUT-HXFL-M8X1.25 8 ZTB NYL	4

BODY, TAILGATE ASM.

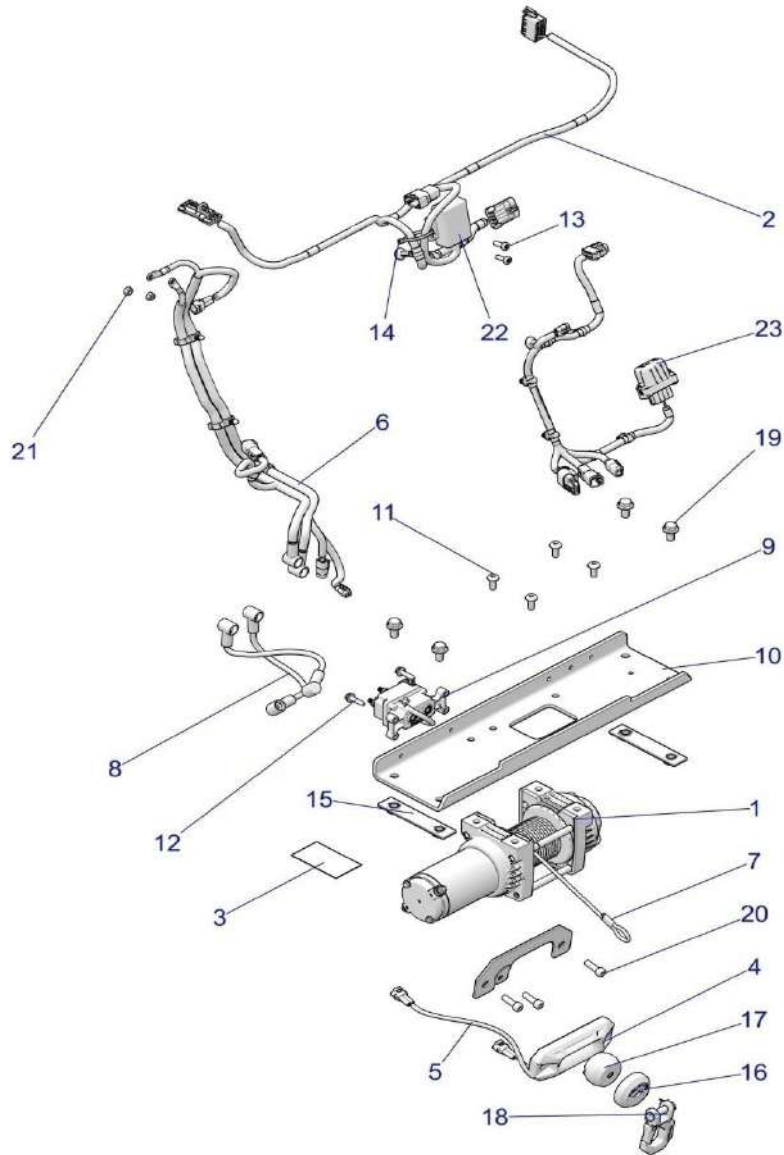
2023 RGR RANGER 570 EU ZUG TRACTOR NORDIC PRO (R02) - R23MAA57F1/SC1/C9/CK/F1/F9



POS	SAP	Part Name	Qty
	1040279	ASM., TAILGATE, BLACK [INCL. ALL]	1
1	1052418	PANEL-TAILGATE,INNER,BLK	1
2	1052419	PANEL-TAILGATE,OUTER,BLK	1
3	1052420	CABLE-TAILGATE	2
4	1047183	HANDLE-TAILGATE LATCH,BLK	1
5	1052421	WELD-TAILGATE,BLK	1
6	1052422	PIN-RETAINER,SPRING	1
7	1052423	ROD-TAILGATE	2
8	1014459	SCR-TXTH-M6X1.0X25 ZFB	13
9	1014509	NUT-M6-1.0, U-TYPE (2.5-3.8)	5
10	1052424	SPACER-.437 DIA OD X .083 WALL	2

BODY, WINCH

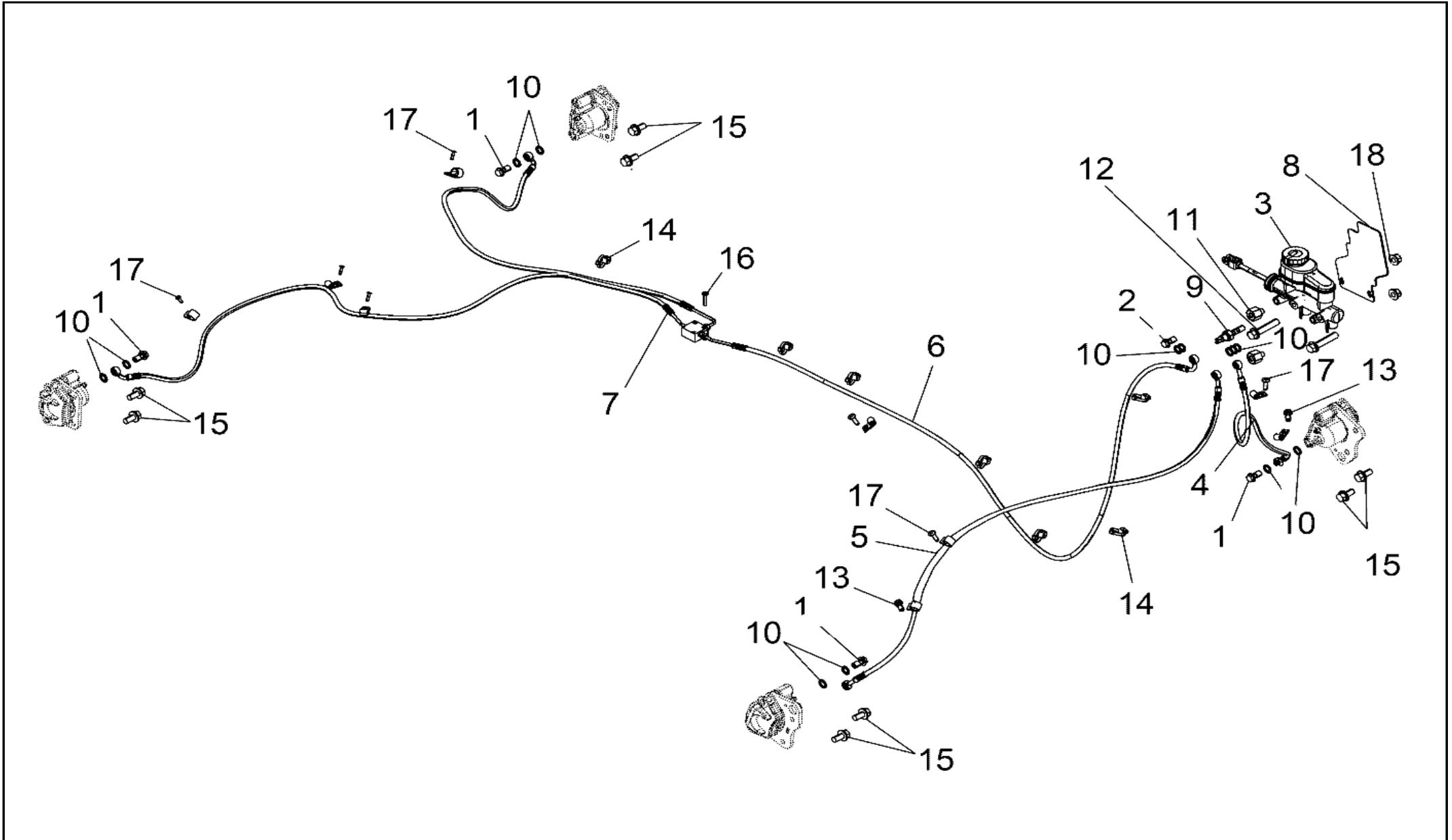
2023 RGR RANGER 570 EU ZUG TRACTOR NORDIC PRO (R02) - R23MAA57F1/SC1/C9/CK/F1/F9



POS	SAP	Part Name	Qty
	1052425	ASM-WINCH,3500HD,WGCLRD [INCL. 1,5-12]	1
1	1052426	WINCH-POL3500,BT	1
2	1052427	HRNS-ACCY,WINCH CNTRL,SPLITTER	1
3	1052428	DECAL-WINCH,POL,3500HD	1
4	1052429	ASM-FAIRLEAD,HWS,MACH,ULT,NRW [INCL. 4]	1
4	1052430	FAIRLEAD,HWS,MACH,ULT,NRW	1
5	1052431	HARNESS-WINCH,PWR	1
6	1006569	ROPE, WINCH, SYNTHETIC, 50'	1
7	1052432	CABLE-WINCH,YELLOW,6 GA,235MM	1
8	1052433	CABLE-WINCH,BLUE 6 GA	1
9	1052434	CONTACTOR-WINCH,POL,LIA,DEU	1
10	1052435	BRKT-MOUNT,WINCH	1
11	1052436	SCR-TXTH-M8X1.25X20 8.8 ZODP30	4
12	1044268	SCR-TFHFL-M6X1.0X25,ZOD	2
13	1039758	SCR-TXPH-#14 X .75 HI-LO RIE	2
14	1039612	PANDUIT STRAP	1
15	1052437	BRKT-MOUNT BACKER	2
16	1047327	STOP-MAGNET,BMPR,V2	1
17	1052438	BUMPER-JOUNCE,WINCH,MTU [TO 11/15/2022]	1
17	1052439	BUMPER-JOUNCE,WINCH,NLWC [FROM 11/15/2022]	
18	1052440	HOOK-LATCH,WINCH,ULT,CMN	1
19	1039672	SCR-HXFL-M10X1.5X20 8.8 Z NYL	4
20	1052441	SCR-SH-M8X1.25X25 8.8 ZPB	3
21	1045182	NUT-HXFLGHD, M6, SERRATED	2
22	1052442	ASM-AUTOSTOP BOX,ADM	1
23	1052443	HRNS-ACCY,WINCH,PREM	1

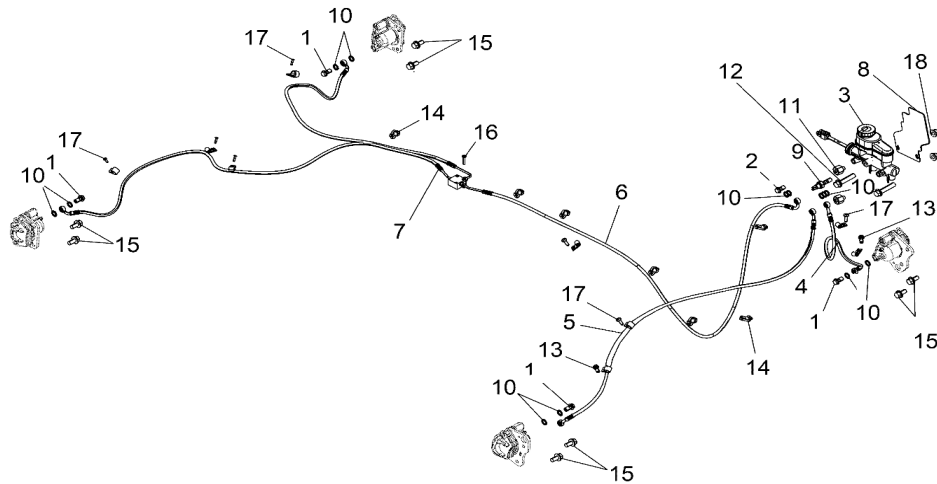
BRAKES, BRAKE LINES AND MASTER CYLINDER

2023 RGR RANGER 570 EU ZUG TRACTOR NORDIC PRO (R02) - R23MAA57F1/SC1/C9/CK/F1/F9



BRAKES, BRAKE LINES and MASTER CYLINDER

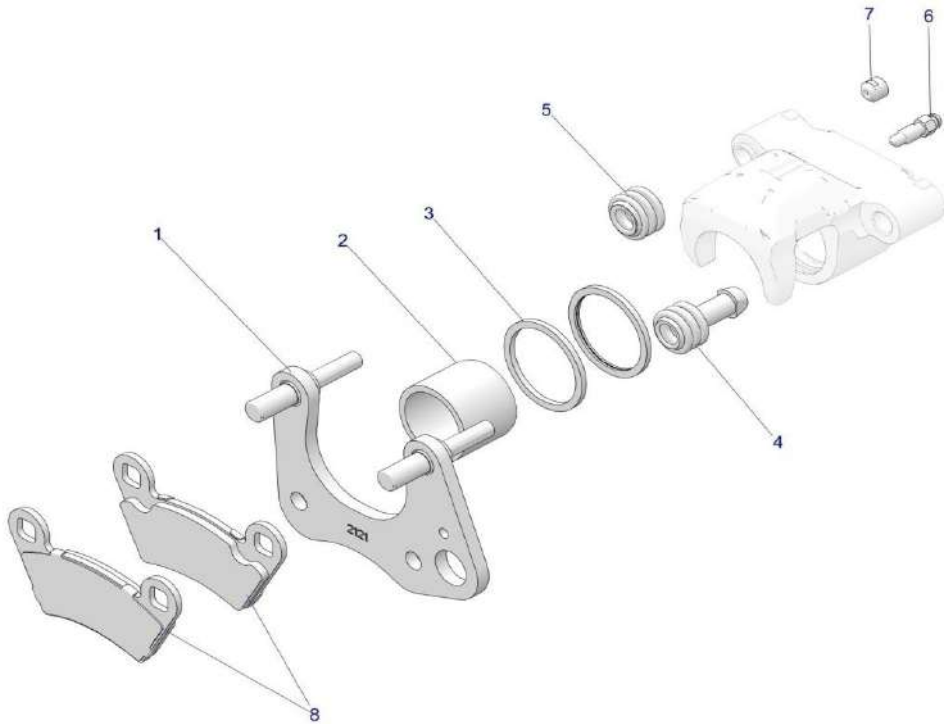
2023 RGR RANGER 570 EU ZUG TRACTOR NORDIC PRO (R02) - R23MAA57F1/SC1/C9/CK/F1/F9



POS	SAP	Part Name	Qty
1	1039367	BOLT-BANJO,10MMX1.00-6G	4
2	1039368	BOLT-BANJO, 10MM X 1.25-6G	1
3	1052468	ASM-M/C-T,HBII,STD PUSH ROD [A57F1][S57F1][F9]	1
3	1052469	ASM-M/C-T,STND,FLUID-LVL,NC [A57F1][C9][CK][C1]	1
4	1052446	LINE-BRK,FL	1
5	1052447	LINE-BRK,FR	1
6	1052448	LINE-BRK,MCT	1
7	1052449	LINE-BRK,REAR	1
8	1052450	SHIELD, MASTER CYLINDER	1
9	1045619	SWITCH-BRK,M10X1.25,DBL	1
10	1011792	SEAL-STAT-0-3/8, 70EP [QTY 15 FOR C9,CK,C1]	13
11	1052451	REDUCER,FLS,1.0MM [A57F1][C9][CK][C1]	2
12	1040247	SCR-M8X1.25X55,HX/FL-Y	2
13	1052452	SCR-HXFL,M6X1.0X16 8.8ZY3DL204	2
14	1047333	CLIP-FIR TREE,HEAT-STAB	7
15	1039690	BOLT-M10X1.25X20,HXFLG-OLV D	8
16	1052471	SCR-HXFL- M6X1.0X70 10.9 ZOD	1
17	1047334	RIVET-POP 3/16(.126-.250)-ST-B	6
18	1046547	NUT-M8X1.25,HXFLG,NYLON INS	2

BRAKES, CALIPER, FRONT

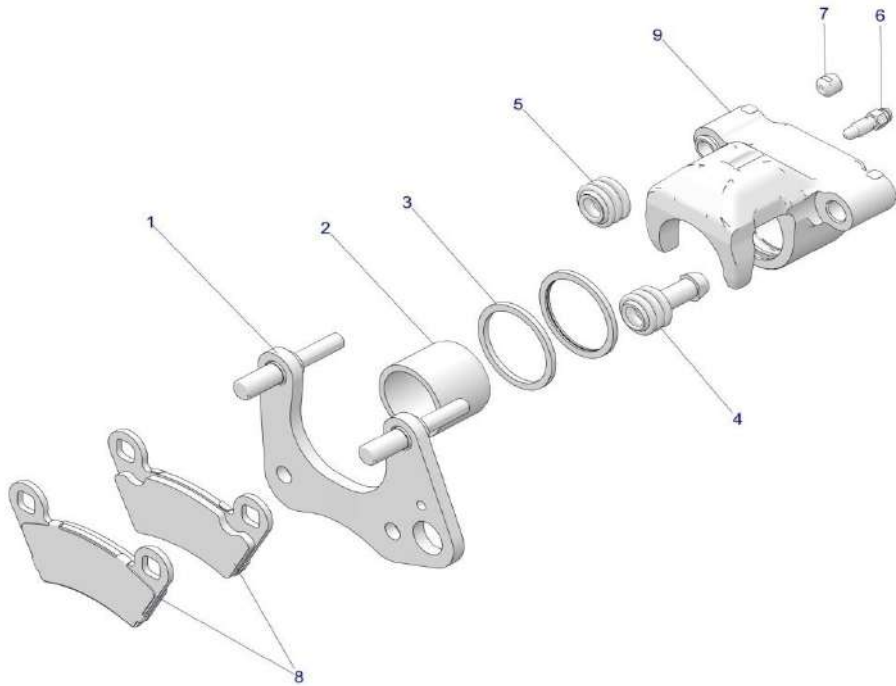
2023 RGR RANGER 570 EU ZUG TRACTOR NORDIC PRO (R02) - R23MAA57F1/SC1/C9/CK/F1/F9



POS	SAP	Part Name	Qty
	1052454	ASM-CALIPER,BRK,1.5,FL [INCL. ALL]	1
	1052455	ASM-CALIPER,BRK,1.5,FR [INCL. ALL]	1
1	1052456	ASM., CALIPER, MOUNT, FRONT	1
2	1052457	PISTON-CALIPER,1.50 (MACH)	1
3	1011783	SEAL-CALIPER INNER,1.50"	2
4	1011787	BOOT, PIN, BUSHING	1
5	1011788	SHORT CALIPER BOOT	1
6	1014062	SCR-M7X1.0,BLEEDER,OLIVE D	1
7	1014436	SCR-M10X1.0X8,SOC SET-OD	1
8	1005140	KIT, BRAKE PAD, DUAL BORE	1
8	1040229	K-BRAKE,HD,PAD,DB1" (HEAVY DUTY) [OPTION] [2 PADS PER KIT]	1

BRAKES, CALIPER, REAR

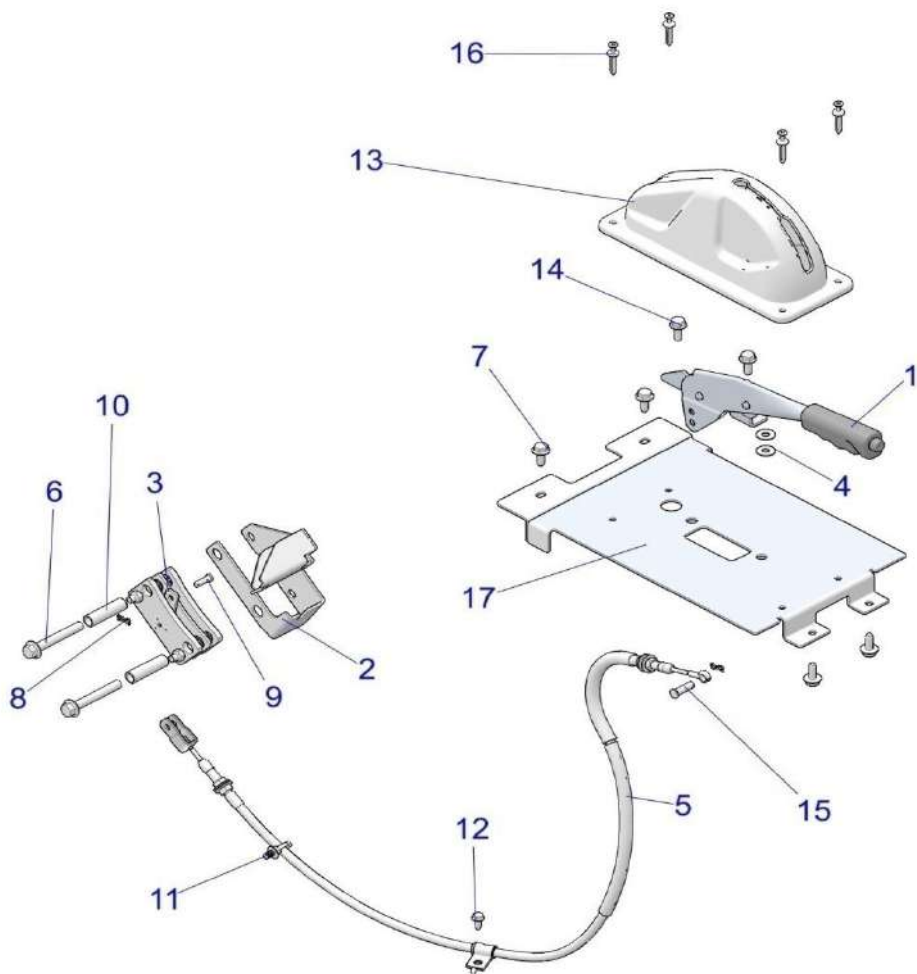
2023 RGR RANGER 570 EU ZUG TRACTOR NORDIC PRO (R02) - R23MAA57F1/SC1/C9/CK/F1/F9



POS	SAP	Part Name	Qty
	1052458	ASM-CALIPER,BRK,1.25,RL [INCL. ALL]	1
	1052459	ASM-CALIPER,BRK,1.25,RR [INCL. ALL]	1
1	1045860	ASM., MOUNT, CALIPER, REAR	1
2	1040096	PISTON, CALIPER, 1.25	1
3	1040094	SEAL, CALIPER, INNER, 1.25	2
4	1011787	BOOT, PIN, BUSHING	1
5	1011788	SHORT CALIPER BOOT	1
6	1014062	SCR-M7X1.0,BLEEDER,OLIVE D	1
7	1014436	SCR-M10X1.0X8,SOC SET-OD	1
8	1005140	KIT, BRAKE PAD, DUAL BORE	1
8	1040229	K-BRAKE,HD,PAD,DB1" (HEAVY DUTY) [OPTION][2 PADS PER KIT]	1

BRAKES, PARKING

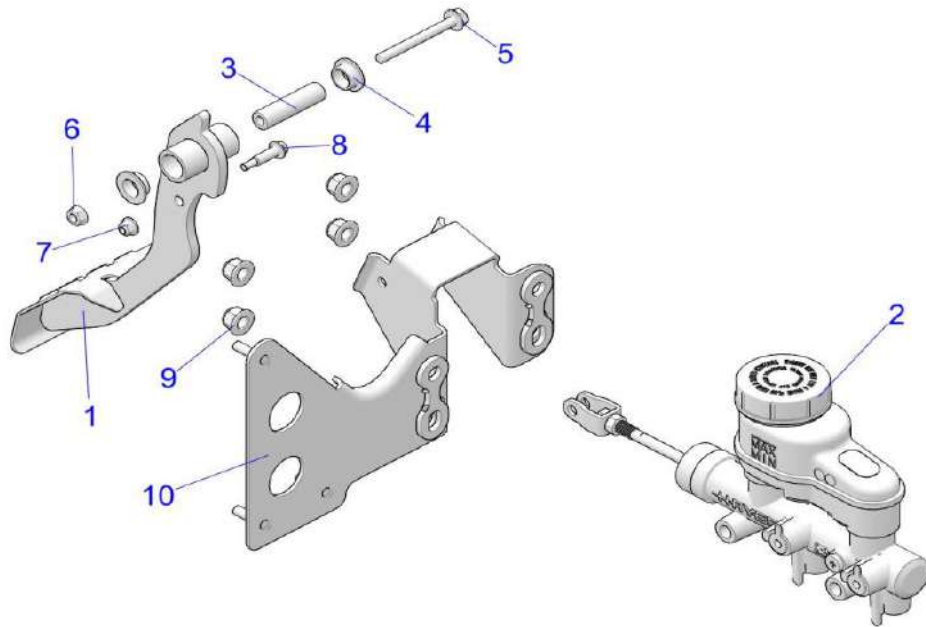
2023 RGR RANGER 570 EU ZUG TRACTOR NORDIC PRO (R02) - R23MAA57F1/SC1/C9/CK/F1/F9



POS	SAP	Part Name	Qty
1	1052460	ASM-LEVER,PARK BRAKE,SHORT	1
2	1047336	WELD-SHIFT&PB-CABLE,HERC,BLK	1
3	1047341	ASM-CLPR,PB,SERV,ZS	1
4	1052461	WASHER-8.4X20X1.6	2
5	1052462	CBL-PARKING BK,HEAT COVER	1
6	1039692	BOLT-M10X1.25X70,HXFLG-OLIVE D	2
7	1039688	SCR-TFHFL-M8X1.25X20 CHS ZOD	4
8	1039808	PIN, CLIP, 14MM	2
9	1039809	PIN-CLEVIS, 1/4 X 3/4 -Y	2
10	1040233	SPACER, PARKING BRAKE, 2 INCH	2
11	1014065	CLIP-ROUTING	1
12	1045946	SCR-1/4-20X5/8,TAP/R-Y	1
13	1052463	BOOT, RUBBER, PARK BRAKE	1
14	1045866	SCR-HXFL-M8X1.25X20 8.8 ZY3	2
15	1052464	PIN-5/16X1 CLEVIS	1
16	1052465	RIVET, PUSH, BLACK, NYLON	4
17	1052466	WELD-PARK BRAKE MOUNT,TR,BLK	1

BRAKES, PEDAL AND MASTER CYLINDER

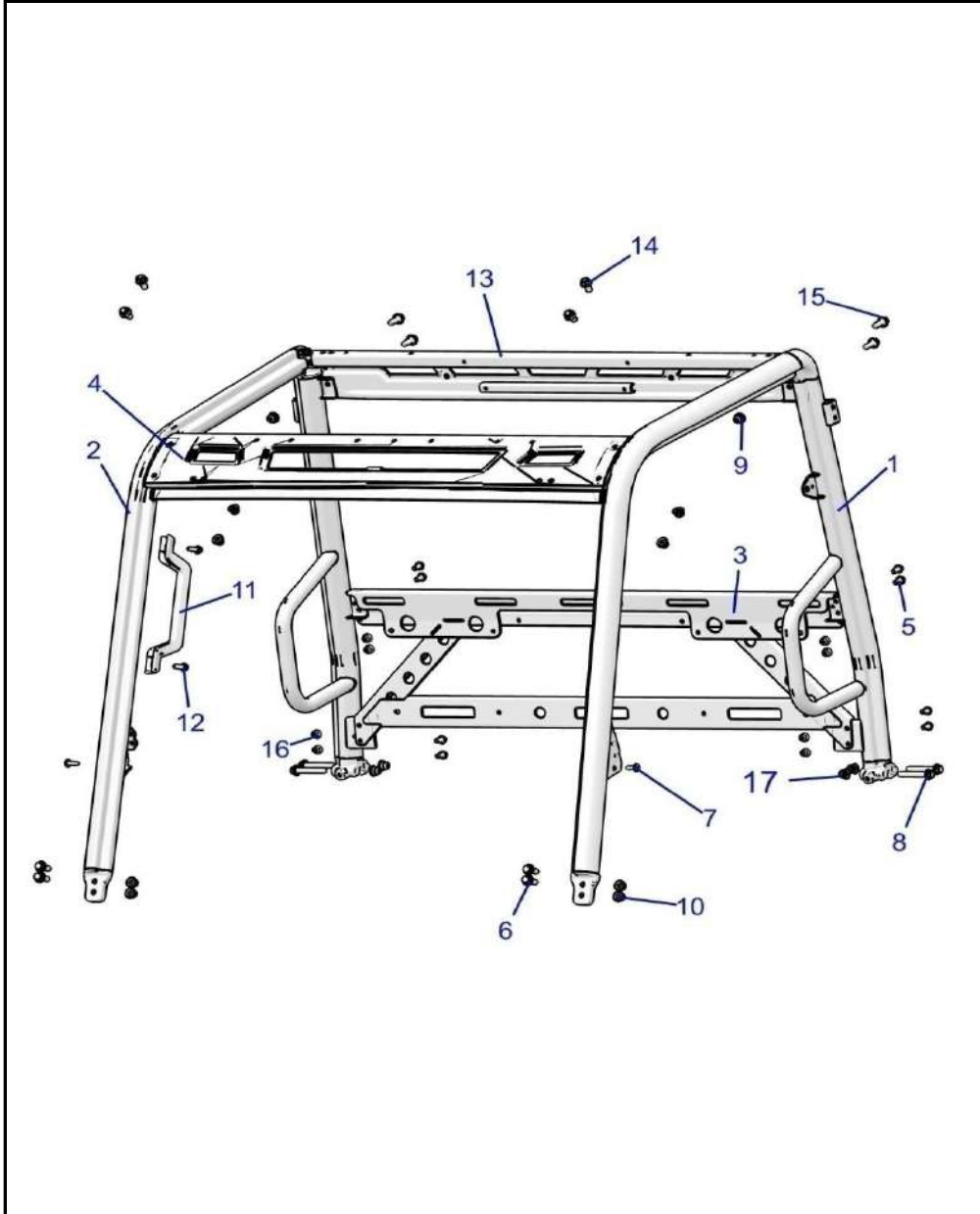
2023 RGR RANGER 570 EU ZUG TRACTOR NORDIC PRO (R02) - R23MAA57F1/SC1/C9/CK/F1/F9



POS	SAP	Part Name	Qty
1	1052467	WELD-BRAKE PEDAL,BLK	1
2	1052468	ASM-M/C-T,HBII,STD PUSH ROD [A57F1][S57F1][F9]	1
2	1052469	ASM-M/C-T,STND,FLUID-LVL,NC [C9][CK][C1]	1
3	1052470	SHAFT-PIVOT,BRAKE PEDAL ASM	1
4	1039567	BUSHING, PEDAL, PIVOT	2
5	1052471	SCR-HXFL- M6X1.0X70 10.9 ZOD	1
6	1039784	NUT-M6X1.0, FLG-NYLOC-OLIVE D	1
7	1045123	NUT-M5X0.8 8.8 HX/FL NYLOC	1
8	1045124	BOLT,M5X0.8X10,16.5 SHLD	1
9	1014499	NUT- M8X1.25, FLG, NYLOC-OLIVE D	4
10	1052472	ASM PEDAL MOUNT,ECOAT	1

CHASSIS, CAB FRAME

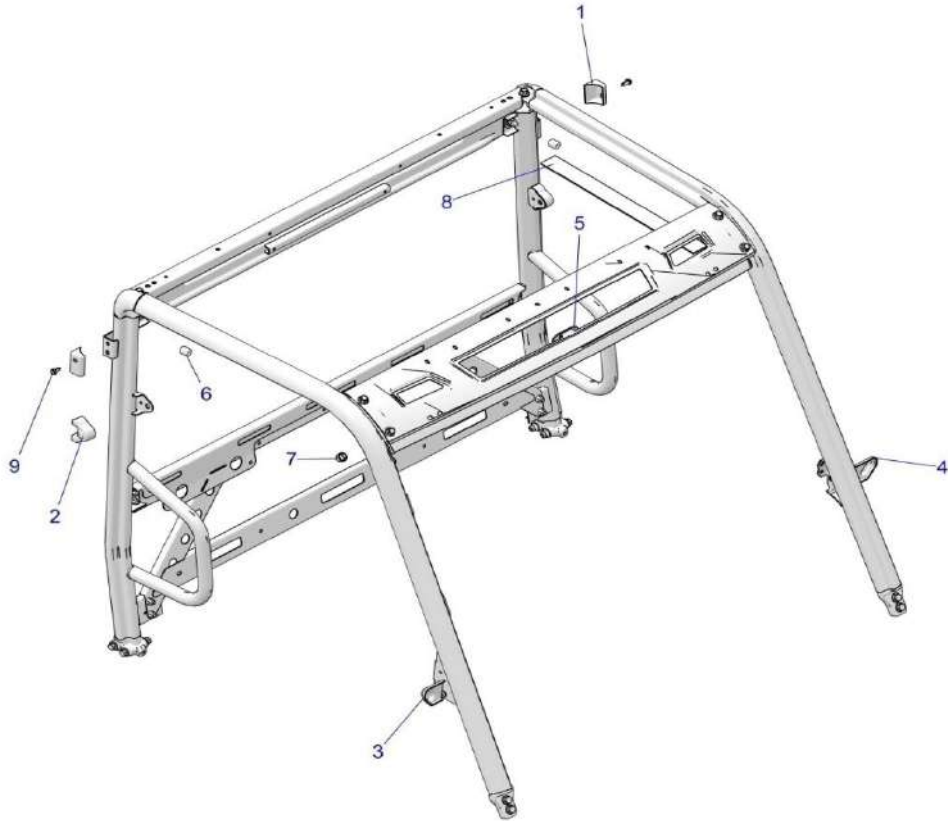
2023 RGR RANGER 570 EU ZUG TRACTOR NORDIC PRO (R02) - R23MAA57F1/SC1/C9/CK/F1/F9



POS	SAP	Part Name	Qty
1	1052473	WELD-CAB FRAME,LH,BLK	1
2	1052474	WELD-CAB FRAME,RH,BLK	1
3	1052475	CAB, FRAME, LOWER, REAR, MATTE BLACK	1
4	1052476	PLATE, WINDSHIELD MOUNT, MATTE BLACK	1
5	1046608	SCREW-HXFL-M8X1.25X20 8.8 ZB	8
6	1046519	SCR-HXFL-M10X1.25X30 8.8 ZOD	4
7	1014459	SCR-TXTH-M6X1.0X25 ZFB	2
8	1052477	SCR-HXFL-M10X1.5X75 10.9 ZFB	4
9	1014504	NUT-M10X1.5 HFN NYLOC ZOD	6
10	1014500	NUT-M10X1.25, FLG, NYLOC-OLIVE D	4
11	1052478	HANDLE, GRAB, ROPS, BLACK	1
12	1039688	SCR-TFHFL-M8X1.25X20 CHS ZOD	2
13	1052479	FRAME, CAB, PLATE, UPPER, REAR, MATTE BLACK	1
14	1052480	SCR-HXFL-M10X1.5X20,CL8.8 ZPB	6
15	1052481	SCR-HXFL-M10X1.5X30,CL8.8 ZPB	4
16	1014499	NUT- M8X1.25, FLG, NYLOC-OLIVE D	8
17	1052482	NUT-HXFL-M10X1.5 8 ZTB NYL	4

CHASSIS, CAB FRAME AREA, and BRAKE EDGE COVER

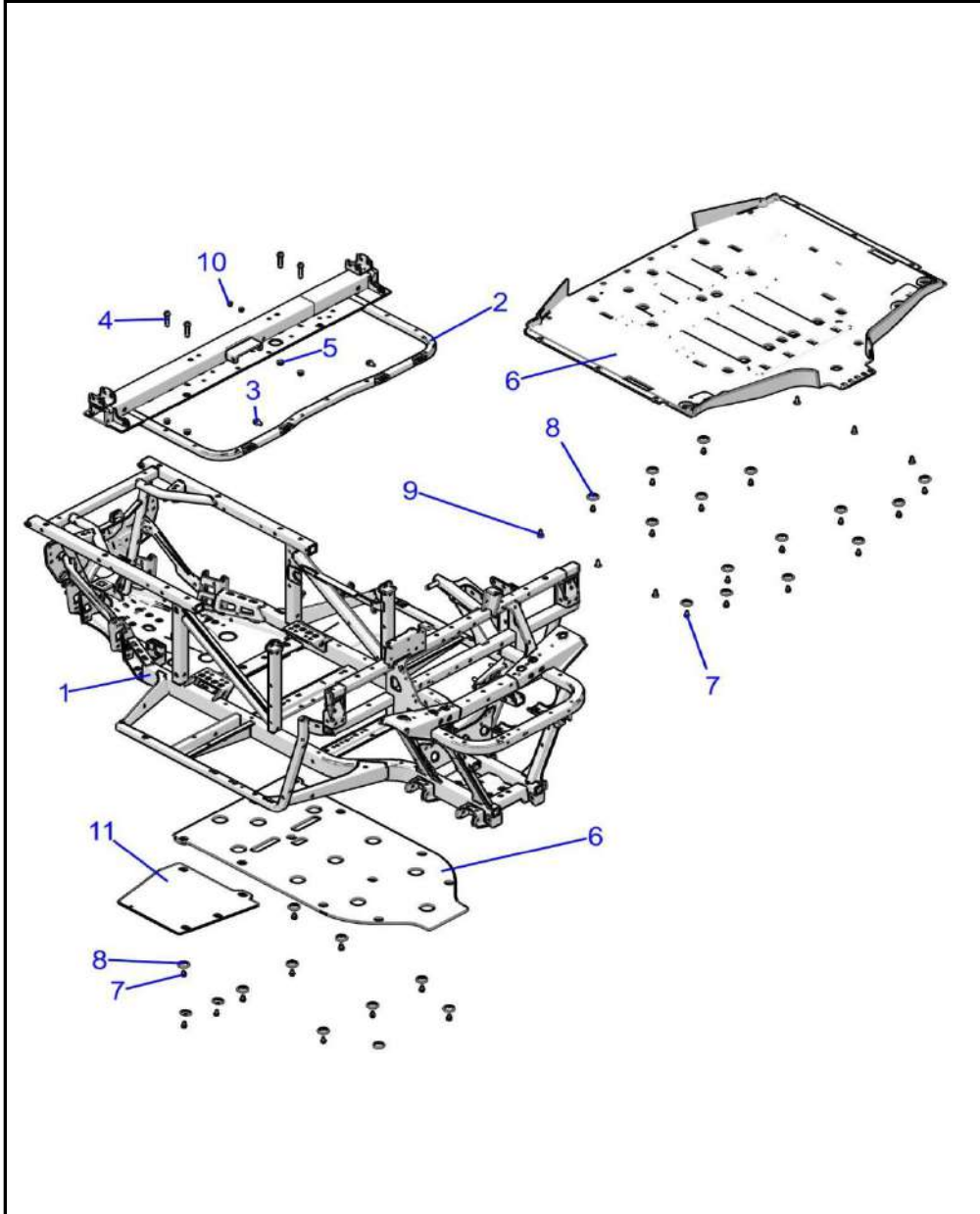
2023 RGR RANGER 570 EU ZUG TRACTOR NORDIC PRO (R02) - R23MAA57F1/SC1/C9/CK/F1/F9



POS	SAP	Part Name	Qty
1	1052483	COVER DOORS BRACKET,BLK	2
2	1052484	COVER SEATBELT ANCHORS BLK	2
3	1052485	COVER-MIRROR BRKT,LH,BLK	1
4	1052486	COVER-MIRROR BRKT,RH,BLK	1
5	1046517	PAD-STRAP,75X53	1
6	1052487	COVER-NUT MS-4,TR,BLK	2
7	1052488	NUT-COVER M10	2
8	1040242	PAD-STRAP,43X490	1
9	1014589	RIVET-TUFLOK,.315-.325X.787	2

CHASSIS, FRAME

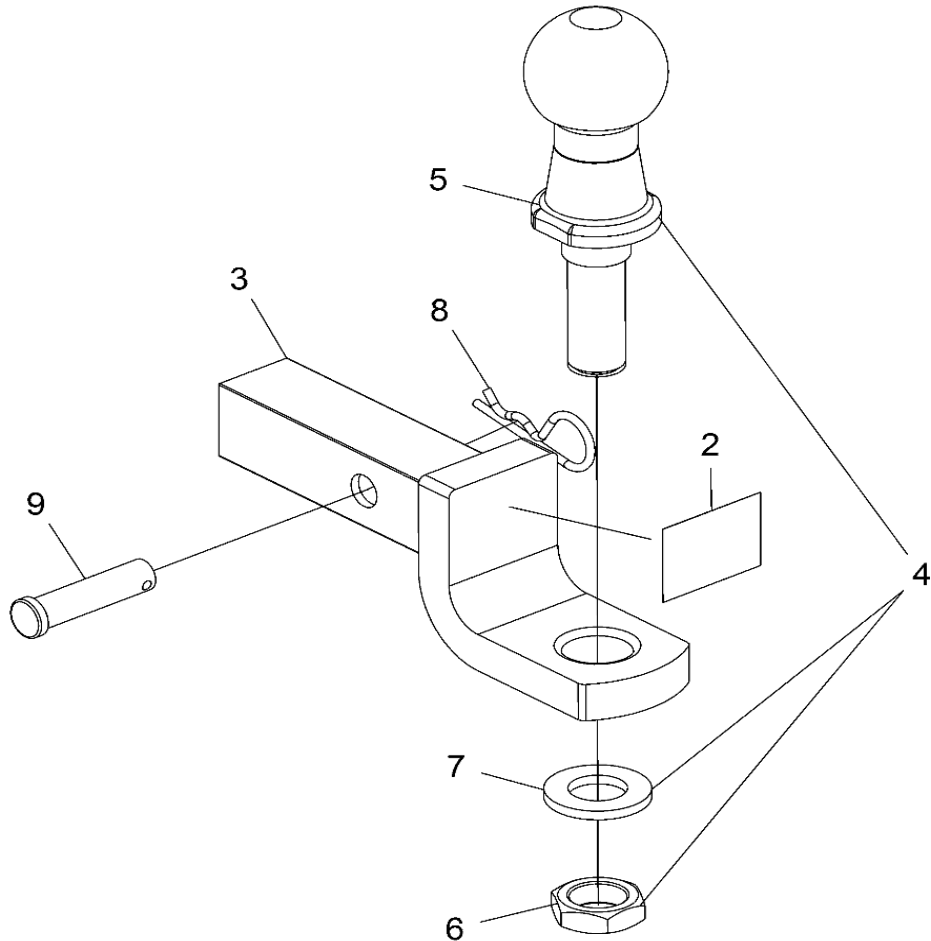
2023 RGR RANGER 570 EU ZUG TRACTOR NORDIC PRO (R02) - R23MAA57F1/SC1/C9/CK/F1/F9



POS	SAP	Part Name	Qty
1	1052489	K-FRAME, EU, BLK [INCL. DECAL]	1
2	1052490	WELD-SEAT BASE,INTL,TR,M.BLK	1
3	1039688	SCR-TFHFL-M8X1.25X20 CHS ZOD	2
4	1040247	SCR-M8X1.25X55,HX/FL-Y	4
5	1014499	NUT- M8X1.25, FLG, NYLOC-OLIVE D	4
6	1052491	PLATE, SKID [A57F1][S57F1][C1]	1
6	1052492	PLATE-SKID,BLK [C9][CK][F9]	1
7	1039683	SCR-M6X1.0X20, HXHD, FLG, TDFM, BK [QTY 15 FOR CK]	12
8	1039802	WASHER, PLATE, SKID [QTY 15 FOR CK]	12
9	1014459	SCR-TXTH-M6X1.0X25 ZFB [CK]	6
10	1047286	PLUG, HOLE(10)	2
11	1052493	SHIELD-DEBRIS,PASSENGER [A57F1][S57F1][C1]	1

CHASSIS, HITCH

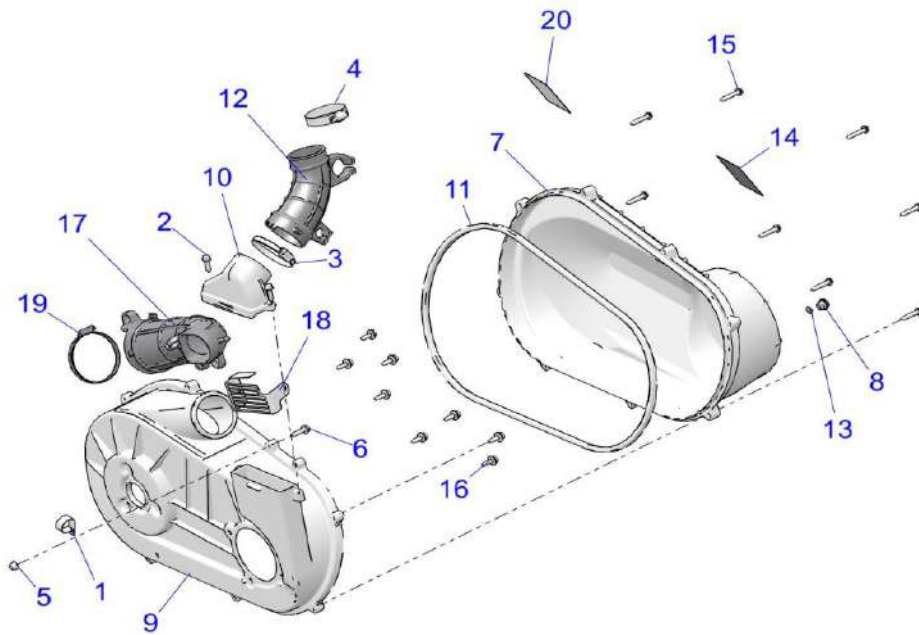
2023 RGR RANGER 570 EU ZUG TRACTOR NORDIC PRO (R02) - R23MAA57F1/SC1/C9/CK/F1/F9



POS	SAP	Part Name	Qty
1	1046748	HITCH-RGR	1
2	1040279	DECAL-HITCH,RGR,CERTIFD,REG55	1
3	1040279	WELD-HITCH,RGR,EU,M.BLK	1
4	1040279	K-BALL,REAR,TRC/ZUG,R55	1
5	1040279	HITCH-BALL,REG 55,ATV,TRC/ZUG	1
6	1040279	NUT-HEX,M20X1.5X10	1
7	1040279	WASHER-3/4IN,HARDENED	1
8	1040279	CLIP-HITCHPIN .148X3 1/16	1
9	1040279	PIN-TRAILER,RGR	1

DRIVE TRAIN, CLUTCH COVER and DUCTING

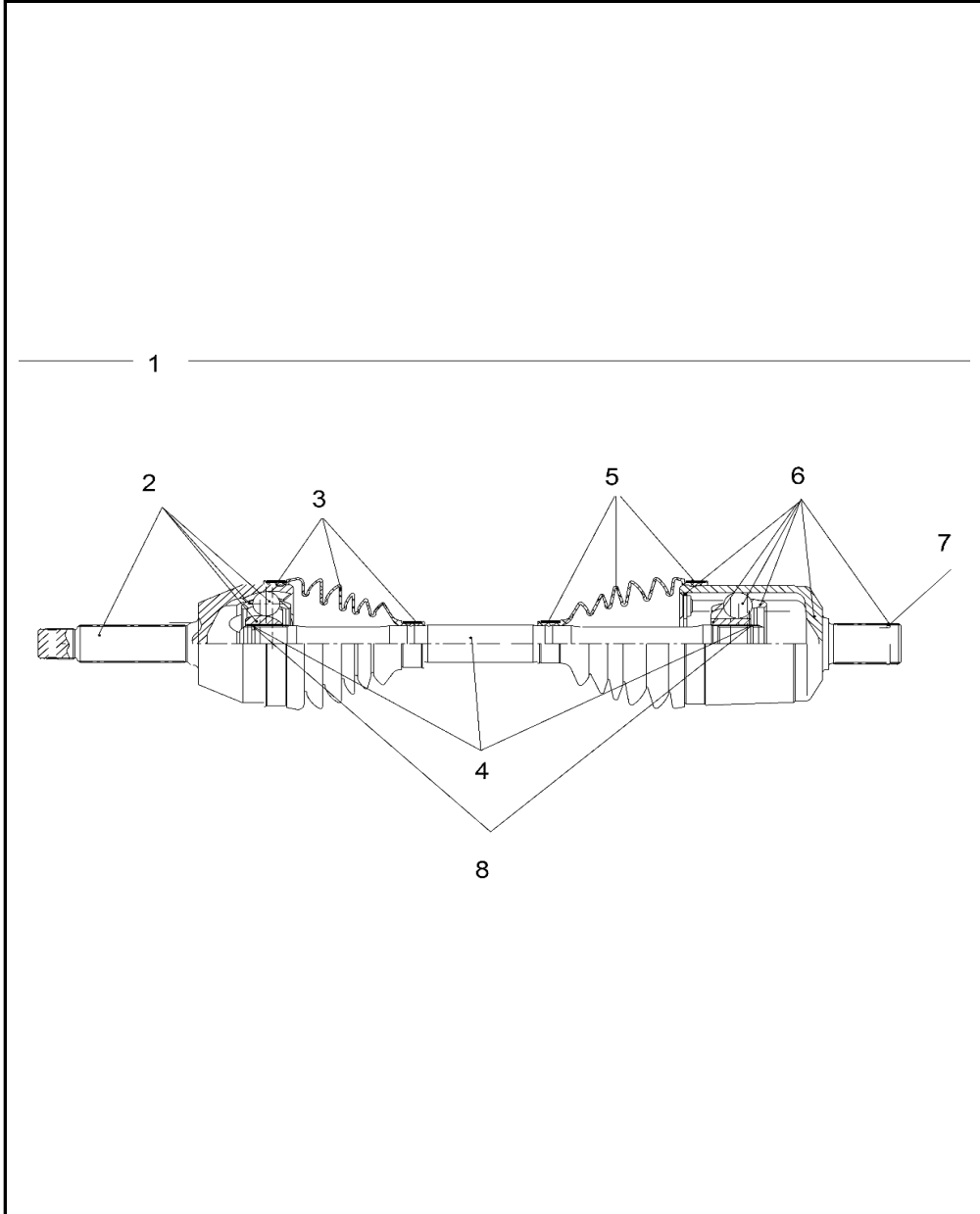
2023 RGR RANGER 570 EU ZUG TRACTOR NORDIC PRO (R02) - R23MAA57F1/SC1/C9/CK/F1/F9



POS	SAP	Part Name	Qty
1	1052585	CLAMP-VINYL COATED,1.00IN ID	1
2	1039658	SCR-#14X1.0 LG,HI/LO/TAPER-M	2
3	1052495	CLAMP-HOSE SLOTTED,60-80 DIA	1
4	1052496	CLAMP-NARROW,SLOTTED 50-70MM	1
5	1039784	NUT-M6X1.0, FLG-NYLOC-OLIVE D	1
6	1039684	BOLT, HEXHEAD, FLANGE, BLACK	1
7	1052497	ASM-COVER,CLUTCH,OUTER [INCL. DECAL]	1
8	1011827	PLUG, DRAIN, CLUTCH COVER	1
9	1052498	Asm., Cover, Clutch, Inner [INCL. 2,9,10,17]	1
9	1052499	COVER, CLUTCH, INNER	1
10	1045876	DUCT, CLUTCH, AIR INLET	1
11	1045139	SEAL, COVER, CLUTCH, OUTER	1
12	1052500	DUCT-CLUTCH,INTAKE	1
13	1039532	O-RING, MOLDED Substituted by 5411432	1
14	1039641	DECAL-BELT,WARNING/CHECK	1
15	1039748	SCREW-NXFL-M6X35 ZOD HILO	8
16	1052501	SCR-TXTH-M6X1.0X16 ZPB P80	8
17	1052502	DUCT-CLUTCH,AIR OUTLET	1
18	1052503	BRKT-SCREEN,BELT	1
19	1046925	CLAMP-HOSE SLOTTED,75-90 DIA	1
20	1039644	DECAL, WARNING, CLUTCH COVER, EU	1

DRIVE TRAIN, FRONT DRIVE SHAFT

2023 RGR RANGER 570 EU ZUG TRACTOR NORDIC PRO (R02) - R23MAA57F1/SC1/C9/CK/F1/F9



POS	SAP	Part Name	Qty
1	1052504	ASM-HALFSHAFT,FRONT [INCL. ALL]	2
2	1052505	OUTER JOINT	1
3	1052506	KIT, OUTER BOOT [INCL. GREASE]	1
4	1052507	BAR	1
5	1052508	KIT, INNER BOOT [INCL. GREASE]	1
6	1052509	INNER JOINT	1
7	1052510	SNAP RING	1
8	1052511	CIRCLIP	1

DRIVE TRAIN, FRONT GEARCASE INTERNALS

2023 RGR RANGER 570 EU ZUG TRACTOR NORDIC PRO (R02) - R23MAA57F1/SC1/C9/CK/F1/F9

POS	SAP	Part Name	Qty
	1052538	ASM-GEARCASE,FRONT	1
1	1034629	PLUG, SOCKET HEAD	1
2	1007449	PLUG, SOCKET HEAD W/MAGNET	1
3	1052513	PLUG, EXPANSION	1
4	1052514	SCREW, TORX BUTTON HD, M8X1.25X30	6
5	1039421	RING, RETAINING BASIC, EXTERNAL 0.984	1
6	1052515	Ring, Retaining	1
7	1052516	RING RETAINING DHO-78	1
8	1052517	SHIM 79.00 X 68.00	1
9	1052518	BEARING, BALL 50 X 80 X 10	1
10	1052519	BEARING, BALL 6305 STD. 25 X 62 X 17	1
11	1052520	BEARING, PLAIN STRAIGHT 87 X 92 X 20	1
12	1052521	BEARING, PLAIN STRAIGHT 20 X 23 X 6	1
13	1052522	SPRING, ROUND	1
14	1052523	CAP, END, MACH	1
15	1052524	CAP, END, MACH	1
16	1052525	PINION IIT, SPIRAL, BEVEL LH	1
17	1039431	TUBE, VENT 90 -1/4 INCH HOSE	1
18	1052526	HUB, CENTERING	1
19	1052527	ROLLER	24
20	1052528	HUB, SIDE	1
21	1052529	HUB, SIDE	1
22	1052530	SUBASSEMBLY, COVER	1
23	1052531	SUBASSEMBLY, RING GEAR	1
24	1052532	SUBASSEMBLY, CASE	1
25	1052533	SUBASSEMBLY, CAGE, WITH SPRINGS	1
26	1052534	CONNECTOR, CAGE	1
27	1052535	SEAL, TRIPLE LIP, 25 X 72 X 7	1
28	1052536	SEAL, DUAL LIP, 37 X 48 X 6 TC	2
29	1052537	O-RING, 2-161	1

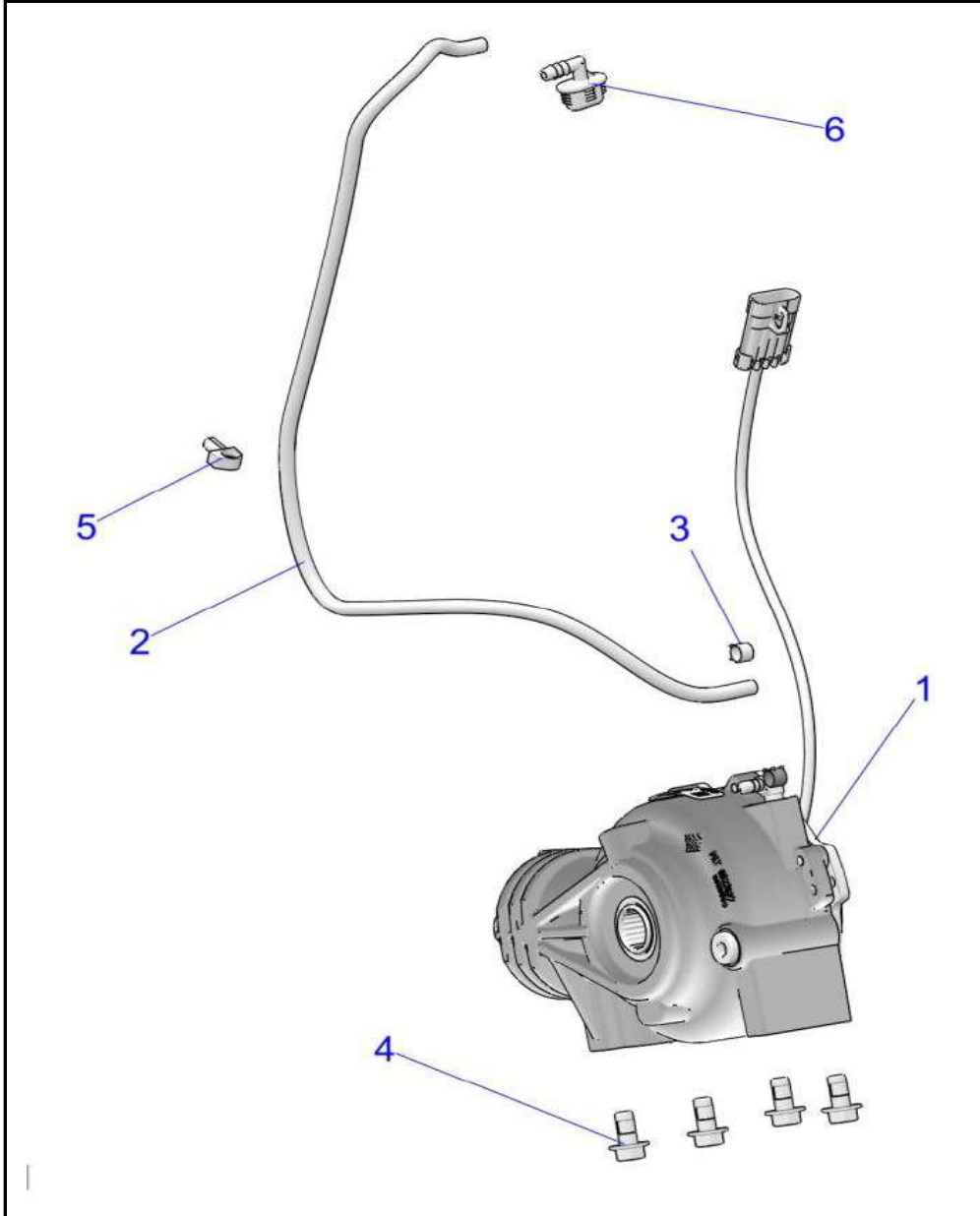
DRIVE TRAIN, FRONT GEARCASE INTERNALS

2023 RGR RANGER 570 EU ZUG TRACTOR NORDIC PRO (R02) - R23MAA57F1/SC1/C9/CK/F1/F9

POS	SAP	Part Name	Qty
30	1040279	LABEL, FRONT DRIVE ORCA	1

DRIVE TRAIN, FRONT GEARCASE MOUNTING

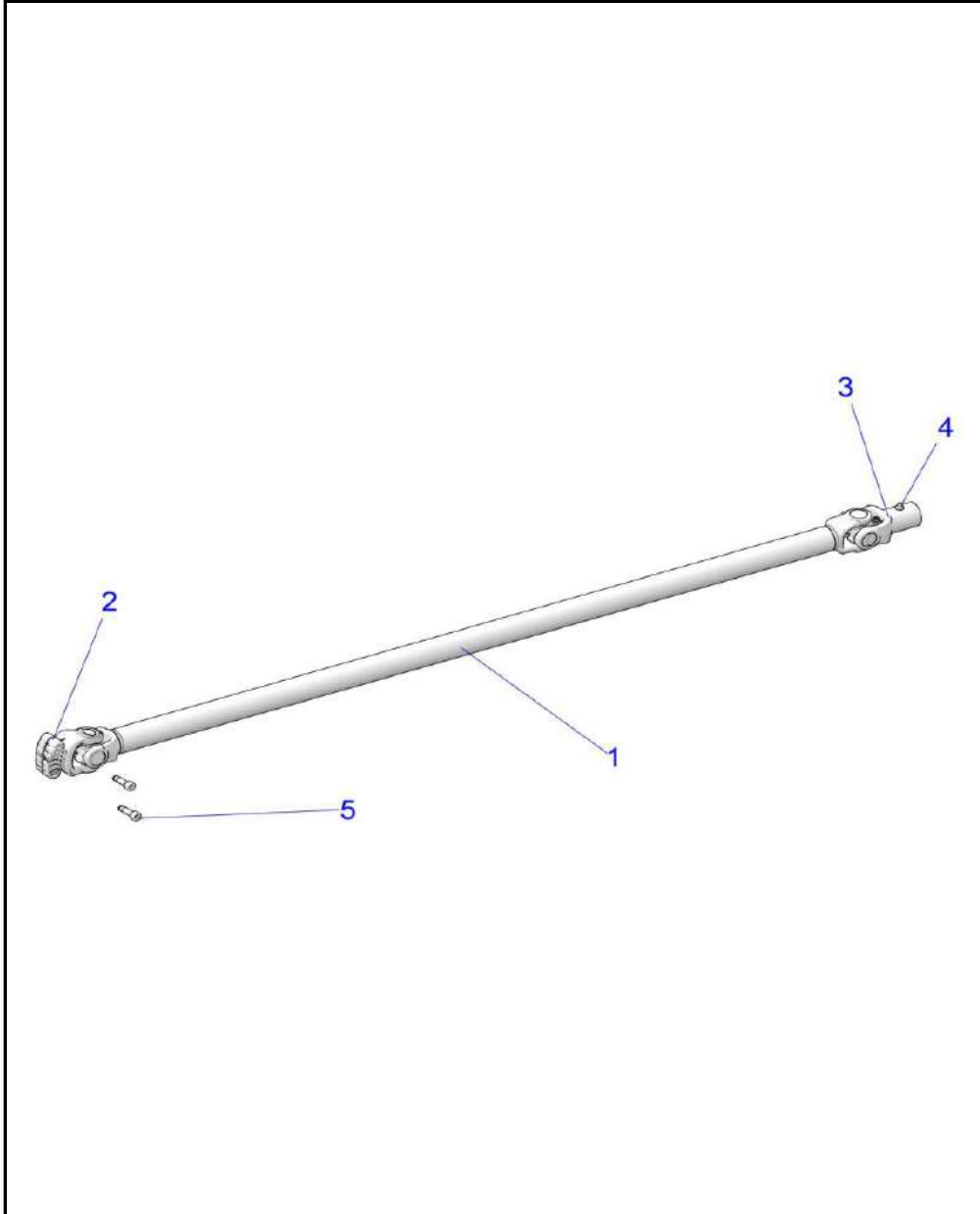
2023 RGR RANGER 570 EU ZUG TRACTOR NORDIC PRO (R02) - R23MAA57F1/SC1/C9/CK/F1/F9



POS	SAP	Part Name	Qty
1	1052538	ASM-GEARCASE,FRONT	1
2	1052539	FUEL LINE-76 CENTIMETERS	1
3	1039630	CLAMP-HOSE, (LARGE GREEN)	1
4	1052540	SCR-HXFL-M10X1.5X25,ZFB P30	4
5	1014065	CLIP-ROUTING	5
6	1039581	FITTING-VENT LINE,90	1

DRIVE TRAIN, FRONT PROP SHAFT

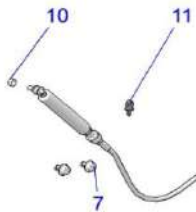
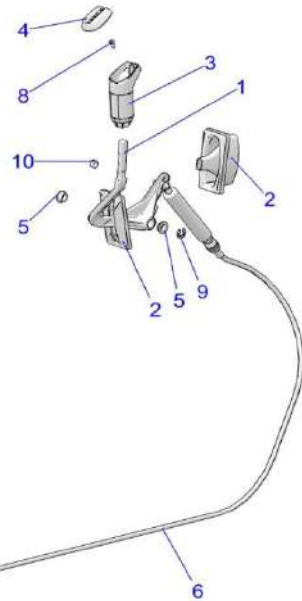
2023 RGR RANGER 570 EU ZUG TRACTOR NORDIC PRO (R02) - R23MAA57F1/SC1/C9/CK/F1/F9



POS	SAP	Part Name	Qty
	1052541	ASM., PROP SHAFT [INCL. 2-6]	1
1		SHAFT, PROP	
2		YOKE PINCH	
3		YOKE SLIP	
4		GREASE ZERK	
5	1047406	SCREW-SH-M8X1.25X35 8.8 ZPC NYL	2

DRIVE TRAIN, GEAR SELECTOR

2023 RGR RANGER 570 EU ZUG TRACTOR NORDIC PRO (R02) - R23MAA57F1/SC1/C9/CK/F1/F9



POS	SAP	Part Name	Qty
1	1052542	SHIFT-LEVER,CAST,M.BLK	1
2	1052543	GROMMET-SHIFTER,SEALED	1
3	1039161	KNOB-SHIFTER,BLK	1
4	1039160	COVER-SHIFTER KNOB, BLK	1
5	1039567	BUSHING, PEDAL, PIVOT	2
6	1052544	CABLE-SHIFT,BASE [TO 01/01/2023]	1
6	1052545	CABLE-SHIFT,BASE [FROM 01/01/2023]	1
7	1039756	SCR-HXFL-M10X1.25X16 8.8 ZOD N	2
8	1039654	SCR-#10-24X1/2PH/TORX-TRIRD-Y	1
9	1039821	RING-RETAINING, "E",EXT., .500	1
10	1039779	NUT,NYLOCK M8X1.25(10)	2
11	1014065	CLIP-ROUTING	5

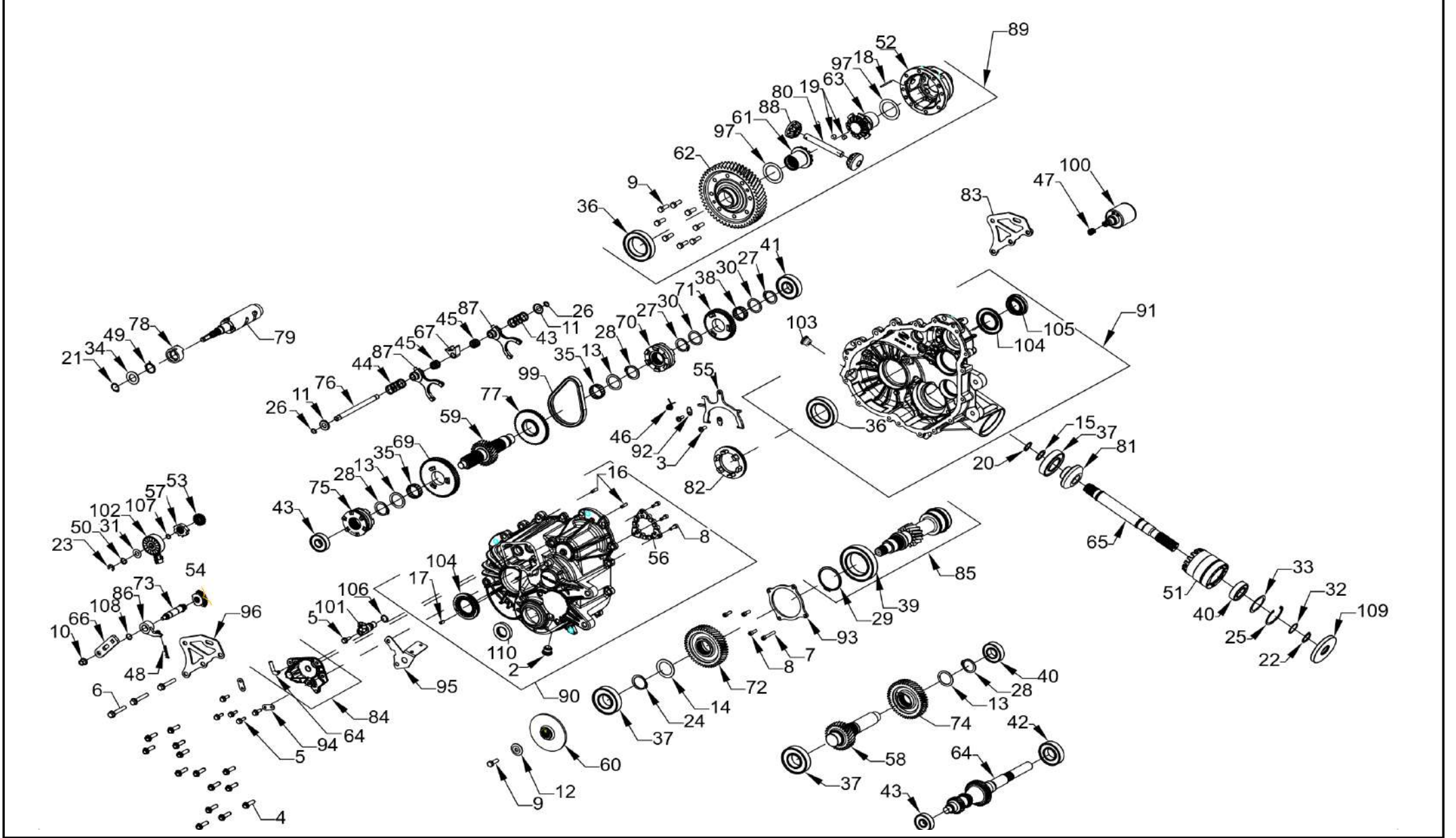
DRIVE TRAIN, MAIN GEARCASE

2023 RGR RANGER 570 EU ZUG TRACTOR NORDIC PRO (R02) - R23MAA57F1/SC1/C9/CK/F1/F9

POS	SAP	Part Name	Qty
1	1052549	ASM-GEARCASE,MAIN,BRAKE,HD	
2	1007449	PLUG, SOCKET HEAD W/MAGNET	1
3	1040304	SCREW, 6-LOBE, PAN HD M6 X 1 X 16	2
4	1039441	SCREW, HEX FLANGE HEAD, M8 X 1.25 X 30	14
5	1039443	SCREW, HEX FLANGE HEAD, M6 X 1 X 20	6
6	1039444	SCREW, HEX FLANGE M8 X 50	3
7	1039445	SCREW, SOCKET HEAD, CAP, M6 X 1.0 X 40	1
8	1039458	SCREW, SOCKET HEAD, CAP, M6 X 1.0 X 18	6
9	1045656	SCREW, CAP HH M8 X 1.25 X 25	9
10	1039446	NUT, LOCK HEX FLANGE, NYLON M8 X 1.25	1
11	1039308	WASHER, CUP	2
12	1040307	WASHER, BELLEVILLE 42140 X 1.25 X 0.09	1
13	1039447	WASHER-32.3X42X1.5(115288)	3
14	1007454	WASHER-35.6X57X1.5(115289)	1
15	1045163	WASHER, 22.5 X 30 X 1.5	1
16	1039438	PIN, DOWEL, 6 X 20	2
17	1039604	PIN, SPRING, SLOTTED 6 X 12	1
18	1045657	PIN, DOWEL 3 X 40	1
19	1045658	PIN, DOWEL 8 X 10	2
20	1045164	RING, RETAINING BASIC EXTERNAL	1
21	1039310	RING, RETAINING BASIC, EXTERNAL 0.75	1
22	1039421	RING, RETAINING BASIC, EXTERNAL 0.984	1
23	1039426	RING, RETAINING BASIC EXTERNAL	1
24	1007433	RING, RETAINING, SHAFT, DIA. 1.375	1
25	1039432	RING, RETAINING BASIC, INTERNAL 2.047	1
26	1039428	RING, RETAINING BASIC, EXTERNAL 0.428	2
27	1039430	RING, RETAINING,	2
28	1039451	RING, RETAINING BASIC, EXTERNAL MSR-32	3
29	1039311	RING-RETAIN,VSH-237(130298)	1

DRIVE TRAIN, MAIN GEARCASE

2023 RGR RANGER 570 EU ZUG TRACTOR NORDIC PRO (R02) - R23MAA57F1/SC1/C9/CK/F1/F9



DRIVE TRAIN, MAIN GEARCASE

2023 RGR RANGER 570 EU ZUG TRACTOR NORDIC PRO (R02) - R23MAA57F1/SC1/C9/CK/F1/F9



POS	SAP	Part Name	Qty
30	1039423	WASHER, THRUST, 1.187 X 1.500 X .0600	2
31	1039440	WASHER, THRUST, 0.446 X 0.88 X 0.025	1
32	1039433	SHIM, 1.180 OD X 0.995 ID	1
33	1039434	SHIM, 2.040 OD X 1.63 ID	1
34	1039312	SPACER, 19.4 X 34.0 X 2.0	1
35	1039419	BEARING, NEEDLE, CAGE ASSY	2
36	1039314	BEARING, BALL 6010 C3 50 X 80 X 10	2
37	1007437	BEARING, BALL 6207 C3 35MMX72MMX17MM	3
38	1039424	BEARING-NEEDLE,30X35X13-CAGED	1
39	1039309	BEARING, BALL, 6012 C3 60 X 95 X 18	1
40	1046805	BEARING, BALL, 6205R SH2 C3 25X52X15	2
41	1046806	BEARING, BALL 6305RSH2 C3 25MMX62MMX17MM	1
42	1007460	BEARING, BALL 6206RSH2 STD 30 X 62 X 16	1
43	1046807	BEARING, BALL 6303RSH2 17 X 47 X 14	2
44	1039291	SPRING, COMPRESSION, .92 O.D. X 2.000	2
45	1039292	SPRING, COMPRESSION, 0.46 I.D. X 0.73	2
46	1040313	SPRING, TORSION, RETURN	1
47	1040314	SPRING, COMPRESSION 0.54 O.D. X 0.44 I.D. X 0.05 WIRE	1
48	1007444	SPRING, COMPRESSION 0.36 O.D. X 1.125	1
49	1039293	SPRING, TORSION	1
50	1039456	WASHER-SPRING,210393	1
51	1039435	TUBE, SNORKEL MACHINED	1
52	1045659	CARRIER, DIFFERENTIAL MACH	1
53	1039294	GEAR, SECTOR, 16T	1
54	1039295	SWITCH, ROTARY, 6 PIN	1
55	1040315	FORK, PIVOT SHIFT, REAR DIFF	1
56	1039296	PLATE, PARK, 12 FACE	1
57	1039297	STAR, DETENT,	1
58	1007455	SHAFT-IDLER,29T(285803)	1
59	1039298	SHAFT-REVERSE,27T(285878)	1

DRIVE TRAIN, MAIN GEARCASE

2023 RGR RANGER 570 EU ZUG TRACTOR NORDIC PRO (R02) - R23MAA57F1/SC1/C9/CK/F1/F9



POS	SAP	Part Name	Qty
60	1040317	DISC, BRAKE	1
61	1045660	GEAR, 14T OUTPUT, MACH	1
62	1045661	GEAR, 53T OUTPUT	1
63	1045662	GEAR, 14T OUTPUT DISCONNECT, MACH	1
64	1047408	SHAFT, INPUT, HELICAL	1
65	1045165	SHAFT, FRONT OUTPUT	1
66	1047410	SWITCH, ROTARY 2 PIN RESISTIVE	1
67	1039300	COLLAR, SHIFT,	1
69	1046816	GEAR-LOW,67T(352856)	1
70	1039301	ENGAGEMENT DOG,6-FACE(352857)	1
71	1039302	GEAR-53T(352858)	1
72	1007456	GEAR-46T,STAGE 3(352872)	1
73	1039455	WELDMENT, REAR MOUNT BRACKET	1
74	1039040	GEAR, 46T, STAGE 2	1
75	1039303	SHIFT DOG, PARK/LOW (353357)	1
76	1039304	RAIL-SHIFT SHAFT(353622)	1
77	1007463	SPROCKET-48T,6-FACE REVERSE	1
78	1039471	CAM, PARK	1
79	1039472	DRUM, SHIFT MACH,	1
80	1045663	PIN, DIFFERENTIAL	1
81	1045166	GEAR, 13T SNORKEL	1
82	1045664	DOG, ENGAGEMENT	1
83	1039466	WELDMENT,, REAR MOUNT BRACKET	1
84	1039468	SUBASSEMBLY, SECTOR COVER	1
85	1040329	SUBASM., PINION, 11T	1
86	1007457	SUBASSEMBLY, PAWL, DETENT, ROLLER	1
87	1039307	SUBASSEMBLY, SHIFT FORK	2
88	1045665	SUBASSEMBLY, PINION GEAR	2
89	1045666	SUBASSEMBLY, DIFFERENTIAL	1
90	1045667	SUBASSEMBLY, RH COVER	1

DRIVE TRAIN, MAIN GEARCASE

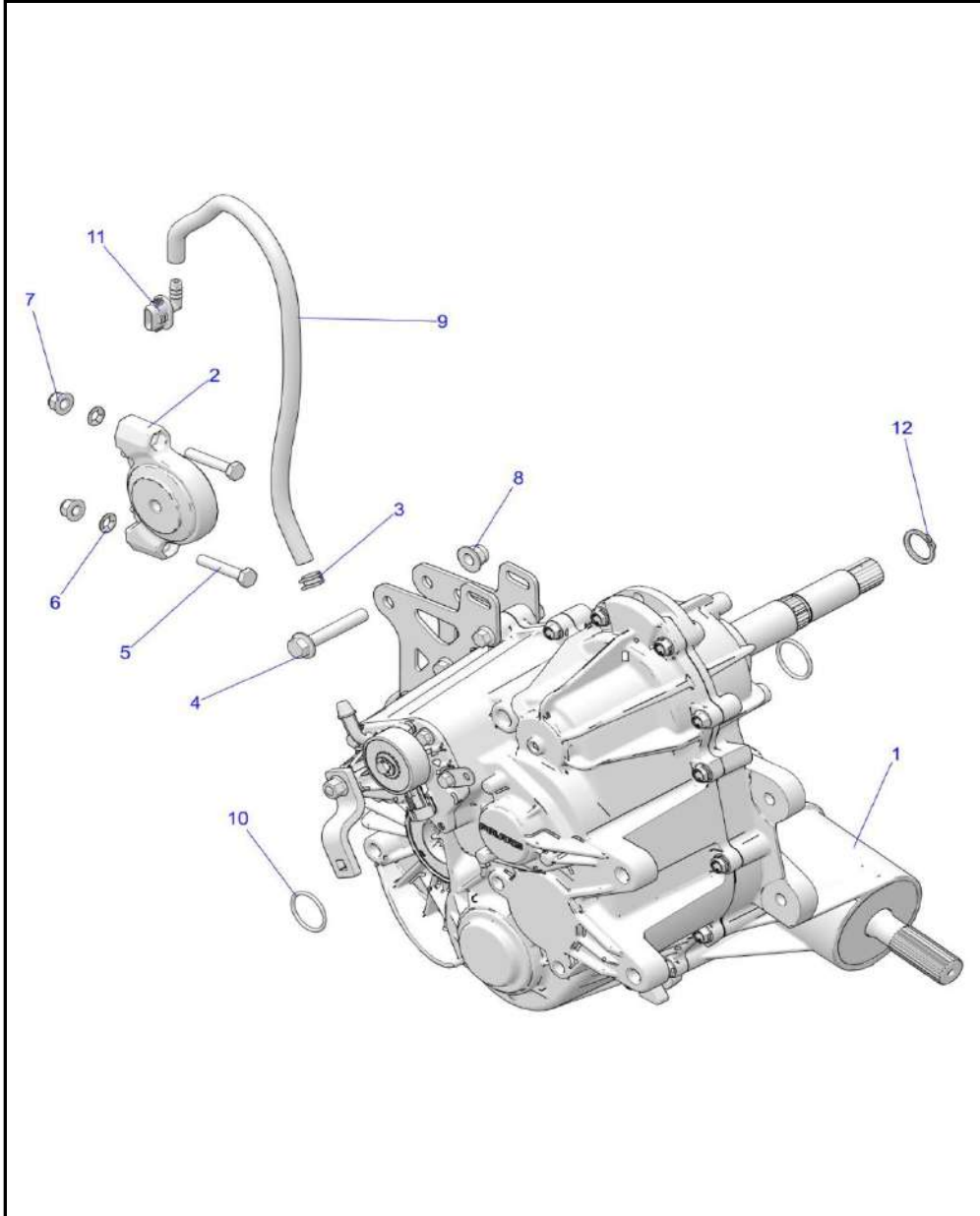
2023 RGR RANGER 570 EU ZUG TRACTOR NORDIC PRO (R02) - R23MAA57F1/SC1/C9/CK/F1/F9



POS	SAP	Part Name	Qty
91	1045668	SUBASSEMBLY, LH CASE	1
92	1040332	CROEVTAEIRNER, FORK	2
93	1039317	COVER-BEARING,CNTR DR.	1
94	1039459	BRACKET, WIRE HARNESS	2
95	1052547	BRACKET, HARNESS MOUNT	1
96	1052548	BRACKET, MOUNT, REAR	1
97	1045670	WASHER, THRUST, 40.83 X 56.25 X 0.38	2
99	1007447	CHAIN, SILENT, TYPE 101, .25P X .40W X 58L	1
100	1007458	SOLENOID	1
101	1028617	SENSOR-SPEED,TRANS	1
102	1039315	SWITCH, ROTARY , 2 PIN RESISTIVE	1
103	1034629	PLUG, SOCKET HEAD	1
104	1007453	SEAL, TRIPLE LIP, VITON HELIX 40X70X7	2
105	1007459	SEAL, TRIPLE LIP, VITON HELIX 30 X 47	1
106	1039436	O-RING	1
107	1039316	O-RING, -012 VITON	1
108	1039425	O-RING, -014 VITON	1
109	1007438	SEAL, TRIPLE LIP VITON 25 X 80 X 10	1
110	1007451	SEAL, TRIPLE LIP, 0.984 X 1.85 X 0.315 VITON	1

DRIVE TRAIN, MAIN GEARCASE MOUNTING

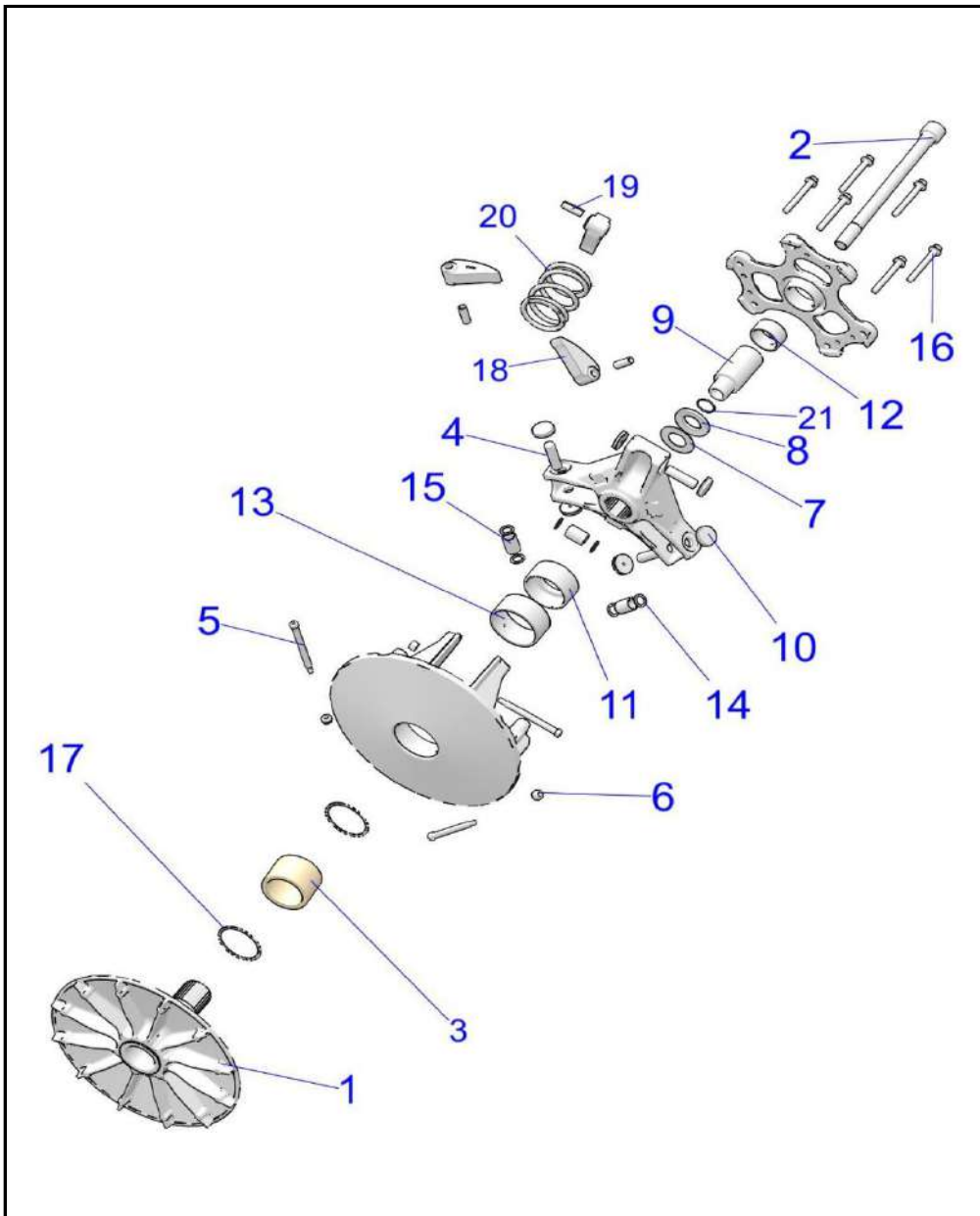
2023 RGR RANGER 570 EU ZUG TRACTOR NORDIC PRO (R02) - R23MAA57F1/SC1/C9/CK/F1/F9



POS	SAP	Part Name	Qty
1	1052549	ASM-GEARCASE,MAIN,BRAKE,HD	1
2	1039356	MOUNT, ISOLATOR, DRIVELINE	1
3	1039630	CLAMP-HOSE, (LARGE GREEN)	1
4	1039694	SCR-HXFL-M10X1.25X60 8.8 ZOD	1
5	1039723	SCREW-HH M8X1.25X45 8.8 ZOD	2
6	1039776	NUT-5/16-PAL-Y	2
7	1014499	NUT- M8X1.25, FLG, NYLOC-OLIVE D	2
8	1014500	NUT-M10X1.25, FLG, NYLOC-OLIVE D	1
9	1040279	FUEL LINE-26 CENTIMETERS	1
10	1040279	O-RING,28.24X2.62,VITON,60A	2
11	1039581	FITTING-VENT LINE,90	1
12	1040279	RING-RET BSC EXT.984X.906X.078	1

DRIVE TRAIN, PRIMARY CLUTCH

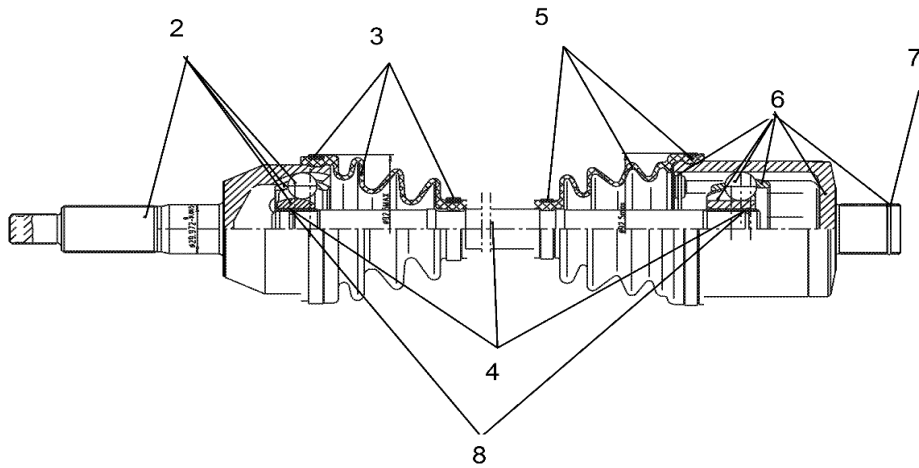
2023 RGR RANGER 570 EU ZUG TRACTOR NORDIC PRO (R02) - R23MAA57F1/SC1/C9/CK/F1/F9



POS	SAP	Part Name	Qty
	1052550	ASM-DRV CLTCH,BSC,P190XNEBS [INCL. 1,3-17]	1
1	1040279	ASM-SHEAVE,STAT,P190XNEBS,570	1
2	1052551	SCR-SH-7/16-20X6.375 GR8	1
3	1047371	BEARING-NEEDLE,40X50X30	1
4	1011262	PIN-SPIDER	3
5	1014491	BOLT-SHIFT WEIGHT,BUSHED	3
6	1014495	NUT-10-24-FLEX LOC-Z	3
7	1047369	WSHR-20.5X38.0X2.27 P&O	1
8	1014536	WSHR-BELLE,21X37.5X3.8,SPC	1
9	1052552	POST-CLUTCH,OUTER	1
10	1048430	BUTTON-CLUTCH,WH. STRIPE,22MM	6
11	1047372	SPACER-CLUTCH,P90X,QPQ	1
12	1048442	BUSHING-1.13X1.28X0.63,MU	1
13	1047370	BUSHING-50X55X25,MU	1
14	1011974	WASHER-CLUTCH,SPIDER ROLLER	6
15	1048431	ASM-SPIDER,22MM,P90X [INCL. ROLLER AND BUSHING]	1
16	1014430	SCR-M6X1.0X50.0 HX/FL-Y/D	6
17	1046844	WSHR-CLUTCH,40.5X49X0.8,SP-21	2
18	1052553	ASM-WEIGHT-SHIFT,41-77	3
19	1011973	BUSHING-WEIGHT,1/4X7/8,DU	3
20	1052554	SPRING, CLUTCH, 40-175	1
21	1047368	O-RING-1.0X17.5MM [TO 05/25/2022]	1
21	1052555	O-RING 1.0X17.5MM,90A [FROM 05/25/2022]	1

DRIVE TRAIN, REAR DRIVE SHAFT

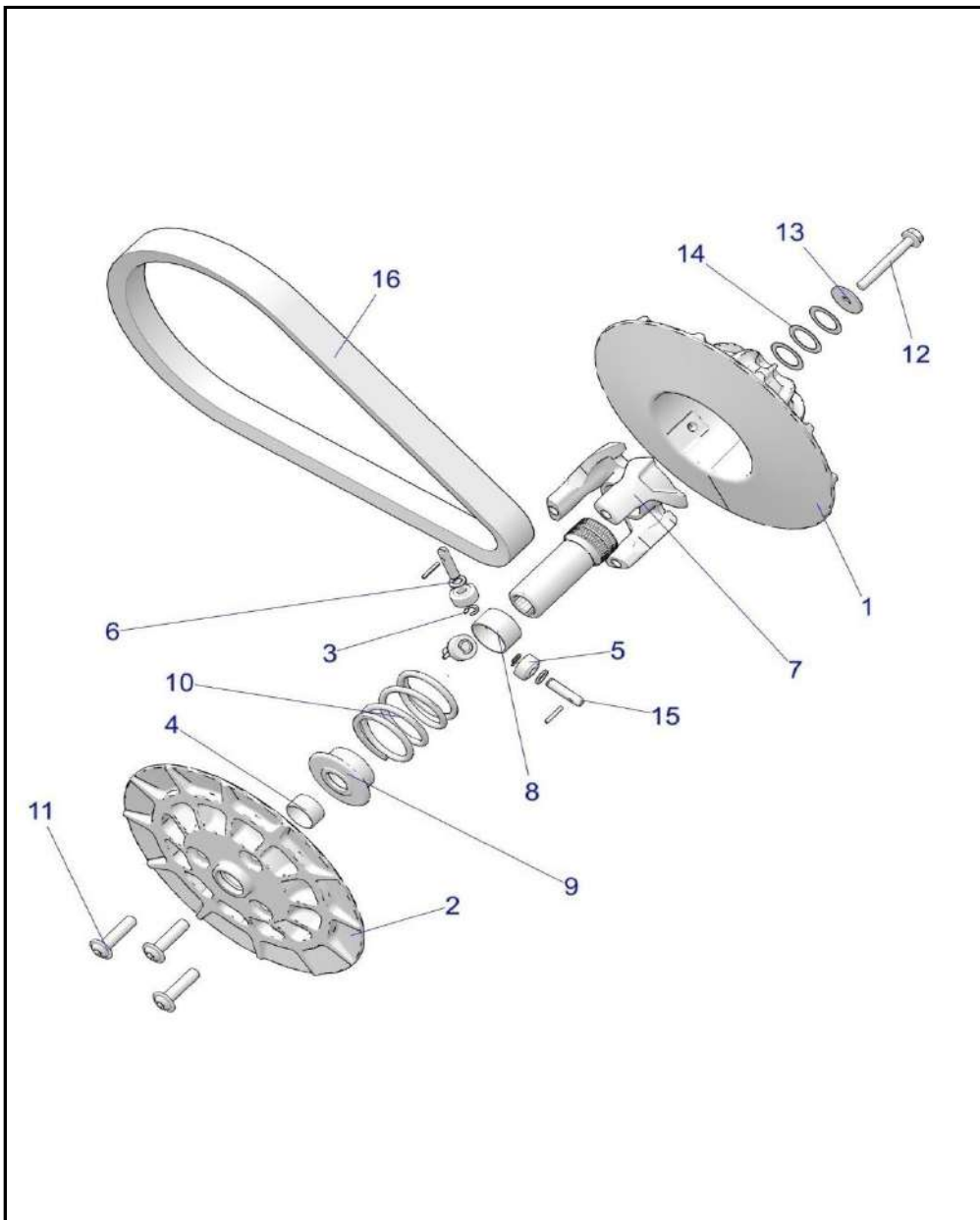
2023 RGR RANGER 570 EU ZUG TRACTOR NORDIC PRO (R02) - R23MAA57F1/SC1/C9/CK/F1/F9



POS	SAP	Part Name	Qty
1	1052556	ASM-HALFSHAFT,REAR [INCL. ALL]	2
2	1052557	OUTER JOINT	1
3	1052558	KIT, OUTER BOOT [INCL. GREASE]	1
4	1052559	SHAFT	1
5	1052560	KIT, INNER BOOT [INCL. GREASE]	1
6	1052561	INNER JOINT	1
7	1045178	SNAP RING	1
8	1052562	CIRCLIP	1

DRIVE TRAIN, SECONDARY CLUTCH

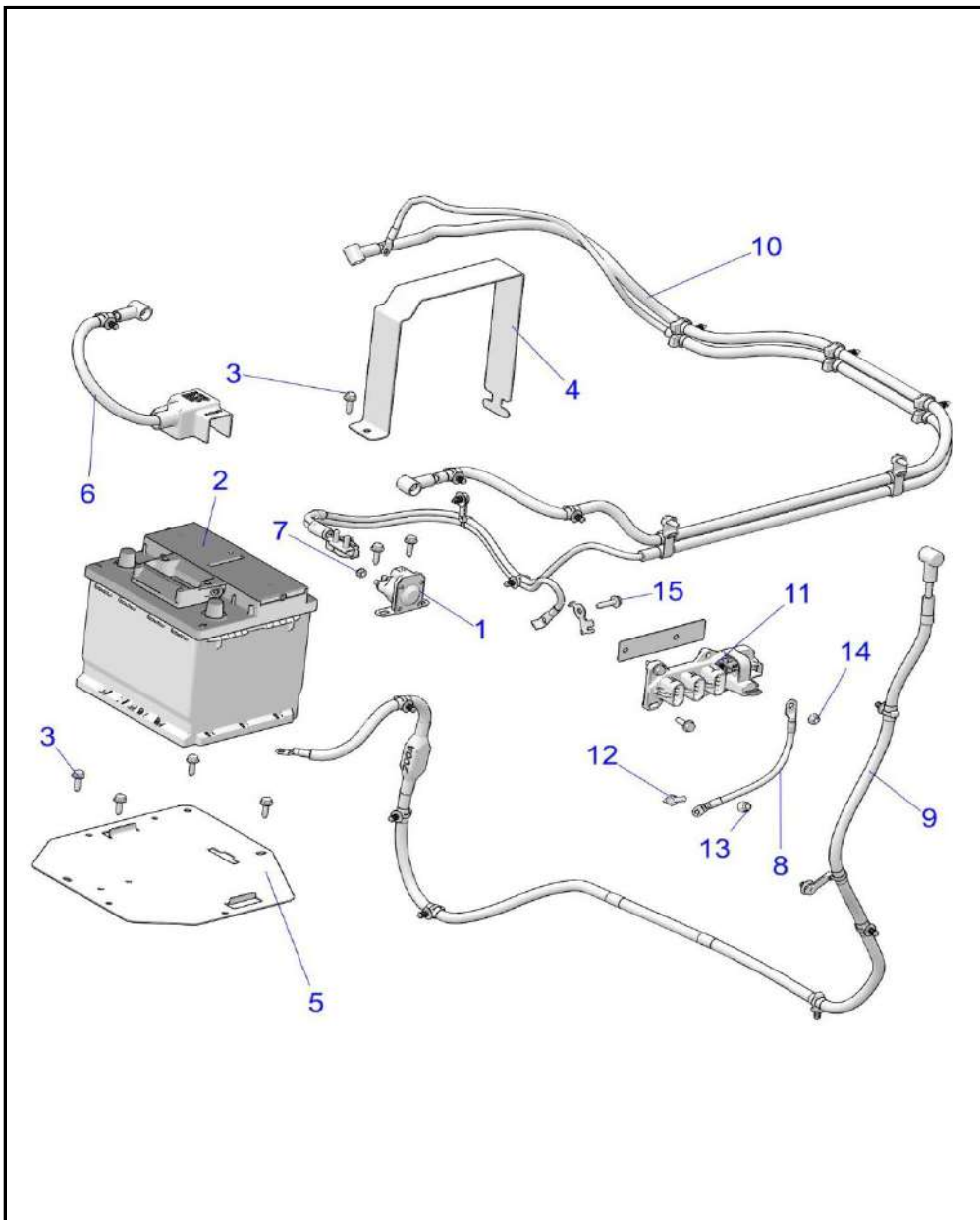
2023 RGR RANGER 570 EU ZUG TRACTOR NORDIC PRO (R02) - R23MAA57F1/SC1/C9/CK/F1/F9



POS	SAP	Part Name	Qty
1	1047376	ASM-DRVN,STATIONARY,P190X MU [INCL. 3,5,6,15]	1
2	1052563	ASM-DRIVEN,MOVEABLE,P190X,CS	1
2	1047378	ASM-MOVABLE SHEAVE,P190X,CS [INCL. 2,7-11]	1
3	1014621	E-CLIP,M6 Substituted by 7710492 [INCL. 4]	3
4	1047379	BEARING-MU,25X15	1
5	1047380	ROLLER-8X22X11.25,TORLON	3
6	1047381	WSHR-8.4X14 .0X1.6	3
7	1052564	ASM-HELIX,P190X,40-56P/70BA MU	1
8	1038670	BEARING-MU,32X36X20	1
9	1047383	CUP-DRIVEN SPRING,P190X	1
10	1052565	SPRING-DRIVEN,120-230,NHS	1
11	1037873	SCR-TXFLBH-M10X1.25X40 10.9SPC	3
12	1047384	SCR-M8X1.25X65-HX/FL-Y,CL 10.9	1
13	1047385	WSHR-8.4X30. 0X2.0 ZPB	1
14	1014537	SHIM-RING,23.25X32.25X0.5	8
15	1028621	PIN-DRIVEN,ROLLER,8MM	3
16	1047387	BELT-DRIVE	1

ELECTRICAL, BATTERY

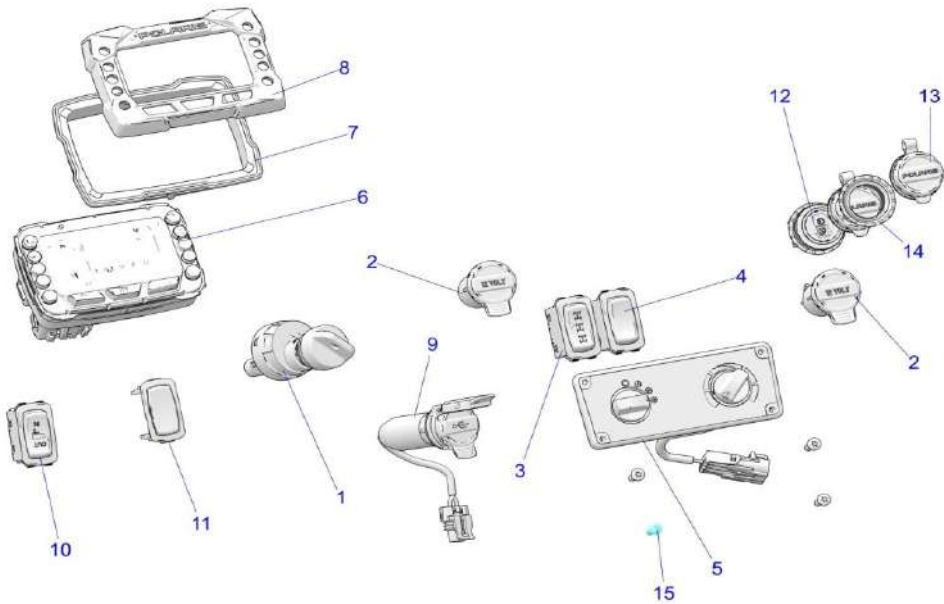
2023 RGR RANGER 570 EU ZUG TRACTOR NORDIC PRO (R02) - R23MAA57F1/SC1/C9/CK/F1/F9



POS	SAP	Part Name	Qty
1	1009588	SOLENOID, STARTER, SEALED	1
2	1030660	BATTERY-530 CCA,FLOODED,EUROPE [A57F1][C1]	1
3	1039683	SCR-M6X1.0X20, HXHD, FLG, TDFM, BK [A57F1][C1]	AR
4	1046858	BRACKET, STRAP, BATTERY,VARTA,BLK	1
5	1052566	BRKT-BATTERY TRAY,BLK	1
6	1052567	CABLE-BATT TO SOLENOID,570	1
7	1039773	NUT-6MM X 1 NYLOK-Z	1
8	1052568	CABLE-GROUND TO PULSE [CK]	1
9	1052569	CABLE-BATT TO PULSE BAR,570 [CK]	1
10	1052570	CABLE-GROUND,ENG,BAT,CHAS,570 [CK]	1
11	1045695	BLOCK, TERMINAL, 3 POST [CK]	1
12	1039752	STUD-M6X1.0X19-M6 TAPTITE [CK]	1
13	1039782	NUT, M6 FLANGE, NYLOC	1
14	1045182	NUT-HXFLGHD, M6, SERRATED	1
15	1046897	SCR-TFHFL-M6X1.0X25,ZY3	1

ELECTRICAL, DASH INSTRUMENTS

2023 RGR RANGER 570 EU ZUG TRACTOR NORDIC PRO (R02) - R23MAA57F1/SC1/C9/CK/F1/F9

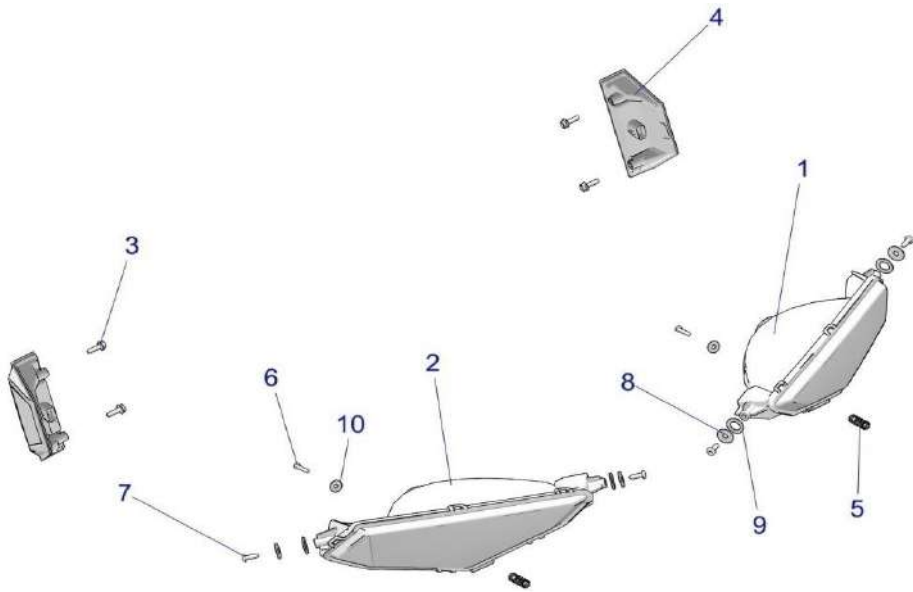


POS	SAP	Part Name	Qty
1	1045698	SWITCH-KEY,4 POS,ATV,SEALED [A57F1][S57F1][C1]	1
2	1047420	RECEPTACLE-POD MNT,12 VOLT	1
3	1047418	SWITCH-AWD	1
4	1047421	SWITCH-HAZARD,IP67 FRONT	1
5	1052571	ASM-CONTROLS,HEATER,RGT [CK]	1
6	1052572	ASM-CLSR,B1,256K,ATV/SXS,INT [INCL. 7,8]	1
7	1046869	GASKET, DIGITAL GAUGE	1
8	1047419	BEZEL-GAUGE CPI B1	1
9	1052573	PORT-USB [C9][CK][F9]	1
10	1052574	SWITCH-WINCH [CK]	1
11	1047425	SWITCH-PLUG,BLANK	1
12	1047422	ASM-CHARGE PORT,BASE [INCL. 12-14]	1
12	1048459	PLUG-HARNESS CHARGE PORT	1
13	1048460	CAP-CHARGE PORT	1
14	1048461	NUT-CHARGE PORT	1
15	1014423	SCREW-#10X3/4-HI/LO-PN-T25,TRX-M	4

ELECTRICAL, HEADLIGHTS, TAILLIGHTS

2023 RGR RANGER 570 EU ZUG TRACTOR NORDIC PRO (R02) - R23MAA57F1/SC1/C9/CK/F1/F9

POS	SAP	Part Name	Qty
1	1047426	ASM-HEADLIGHT ECE,RGR,LH	1
2	1047427	ASM-HEADLIGHT ECE,RGR,RH	1
3	1039724	SCR-HXFL-M6X1.0X20 8.8 RIE	4
4	1052575	ASM-TAILLIGHT,W/DECAL,ECE	2
5	1013999	SPRING, HEADLIGHT	2
6	1014424	SCR-10X1.12 TX PN PLS-Y	2
7	1045772	SCR-TX TRUSS-#14X3/4, HI/LO ZBK	4
8	1047428	WASHER-M8 FW STL 2Y DIN 9021B	4
9	1012347	GASKET, OVER FLOW CAP	4
10	1045838	WASHER-6.4X18.0X1.6 ZPB	2



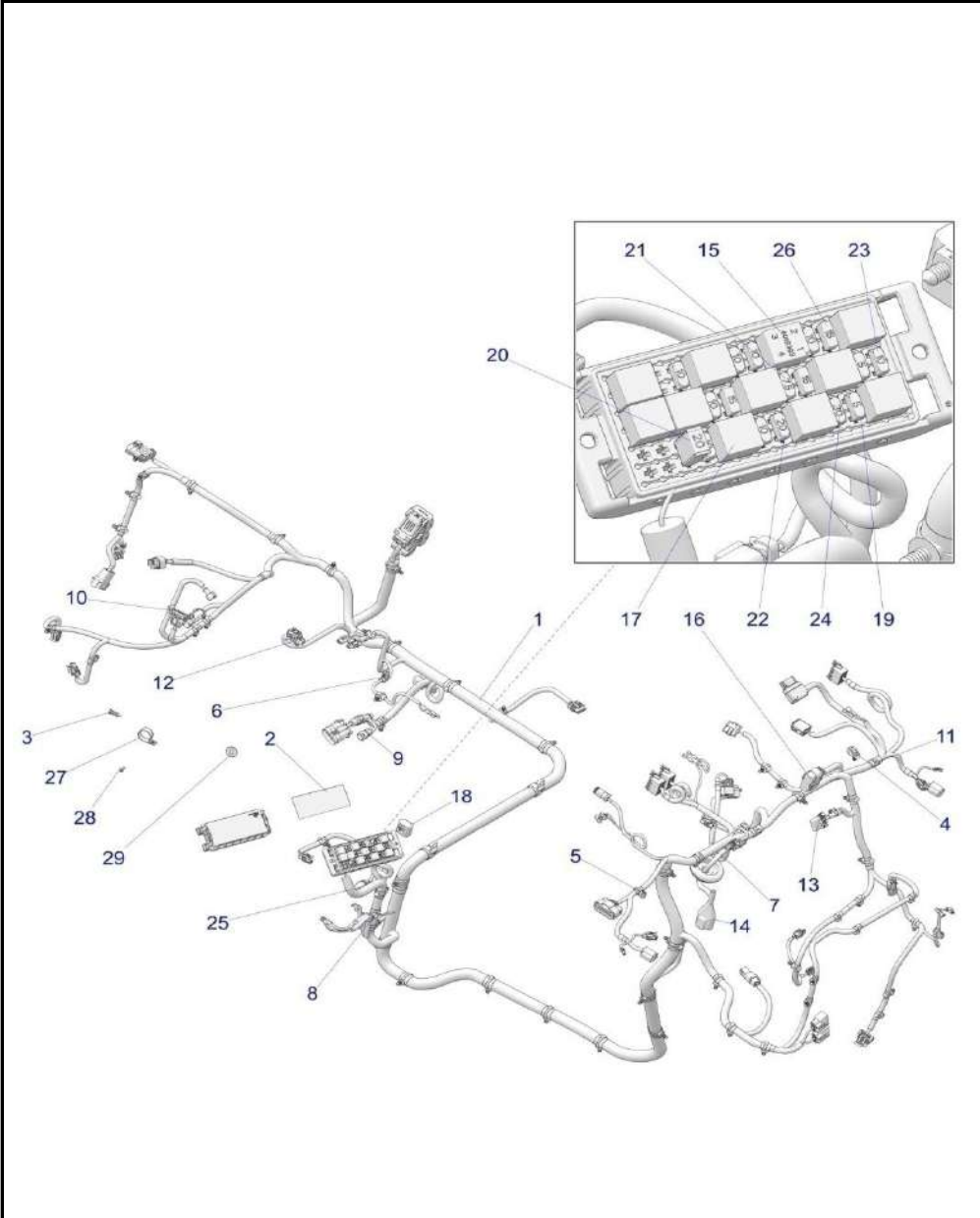
ELECTRICAL, IGNITION

2023 RGR RANGER 570 EU ZUG TRACTOR NORDIC PRO (R02) - R23MAA57F1/SC1/C9/CK/F1/F9

POS	SAP	Part Name	Qty
1	1009591	COIL, IGNITION, SINGLE, W/DIODE	1
2	1007009	PLUG, SPARK, 10 MM	1
3	1039669	SCR-10-24X3/4 PH/TX/TRI-SEMS Y	2
4	1039719	SCR-#10X1/2-HI/LO-PN-T25, TRX-M	4
5	1052576	WIRE-SPARKPLUG,PTO,90DEG	1
6	1009581	ECM-HARD,ME17,2CYL,250K	1

ELECTRICAL, WIRE HARNESS

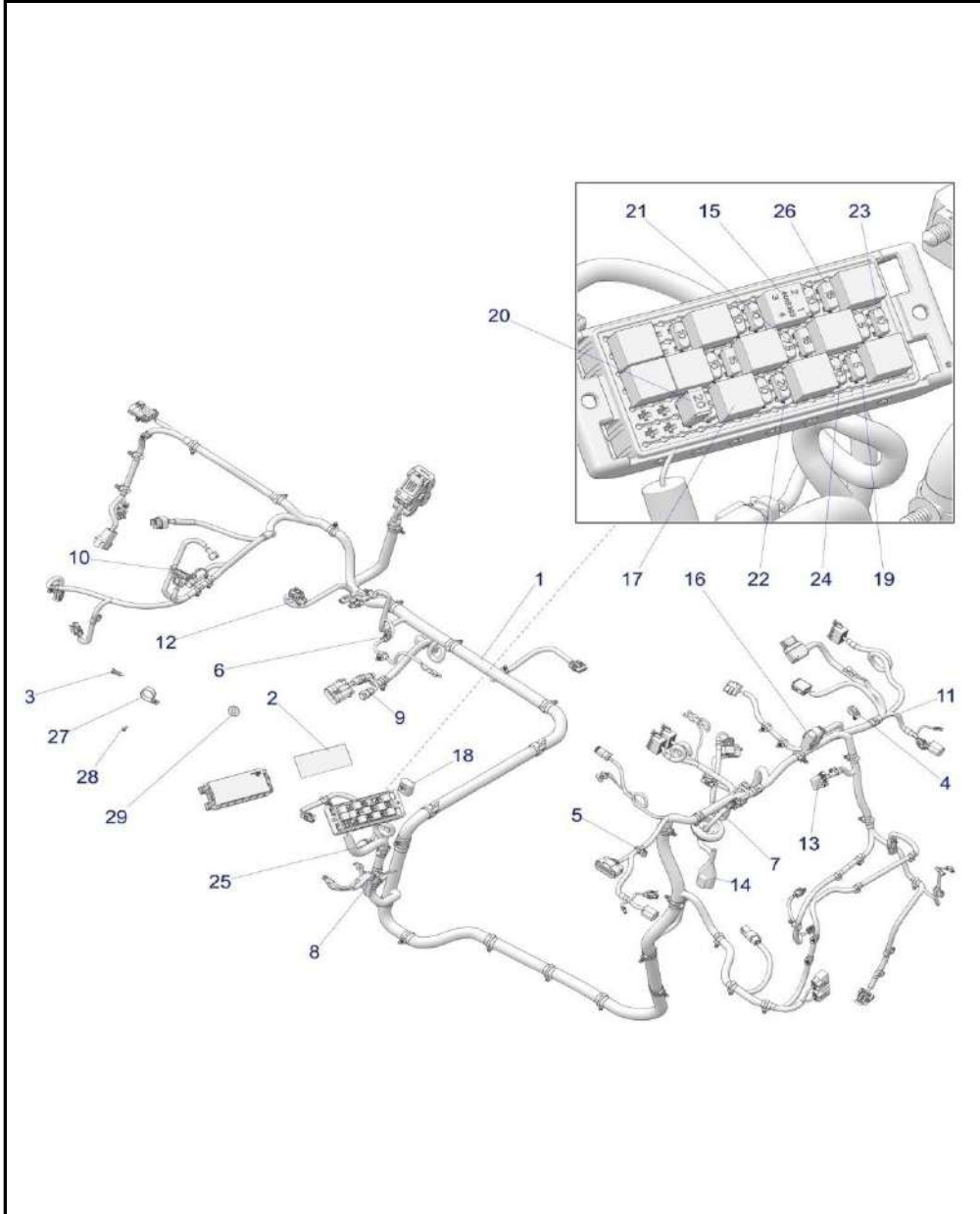
2023 RGR RANGER 570 EU ZUG TRACTOR NORDIC PRO (R02) - R23MAA57F1/SC1/C9/CK/F1/F9



POS	SAP	Part Name	Qty
1	1052577	HARNESS-CHASSIS,570,NRMM [INCL. ALL][A57F1][C9][S57F1][F9][C1]	1
1	1052578	HARNESS-CHASSIS,570,NRMM,TR,NP [INCL. ALL][CK]	1
2	1052579	LABEL-FUSE BOX	1
2	1052580	LABEL-FUSE BOX [CK]	1
3	1047450	CLIP-XMAS TREE, .945 X .228	1
4	1052581	CLIP-XMAS,OMEGA, CABLE/11-15MM	2
5	1047441	CLIP-EDGE,1-3MM THICKNESS	1
6	1045218	CLIP- EDGE, 1-3MM THICKNESS	2
7	1052582	CLIP-EDGE, 3-6MM THICKNESS	1
8	1039636	STRAP-PANDUIT,DBL LOOP,260MM	1
9	1014065	CLIP-ROUTING	53
10	1047444	CLIP-DOUBLE CABLE TIE W/XMAS TREE 6.35MM HOLE (BK)	1
11	1045691	STRAP,BLK,WEATHER-RESIST.(10)	2
12	1039612	PANDUIT STRAP	3
13	1052583	CAP PLUG [CK]	1
14	1045708	THROTTLE-CON BOOT	1
15	1047438	SSR-4PIN	1
16	1045710	CAP-EVAP CONNECTOR	1
17	1009596	RELAY - SPST, 12V, 20A, EPXY, HFA [QTY 11 FOR CK]	10
18	1039488	COVER - DIAGNOSTIC, W/ CLIP	1
19	1009567	FUSE, 5 AMP	2
20	1009564	BREAKER, CIRCUIT, 20 AMP, SEALED	1
21	1045235	FUSE - 7.5, MINI BLADE (BROWN)	1
22	1045951	FUSE,PARK,20 AMP,(10) [QTY 2 FOR CK]	1
23	1005911	FUSE, IGNITION, 10 AMP	8
24	1045236	FUSE,MAIN,30 AMP,(10)	1
25	1052584	DIODE-2 AMP	1
26	1039379	Fuse, Mini Blade, 15 Amp.	3

ELECTRICAL, WIRE HARNESS

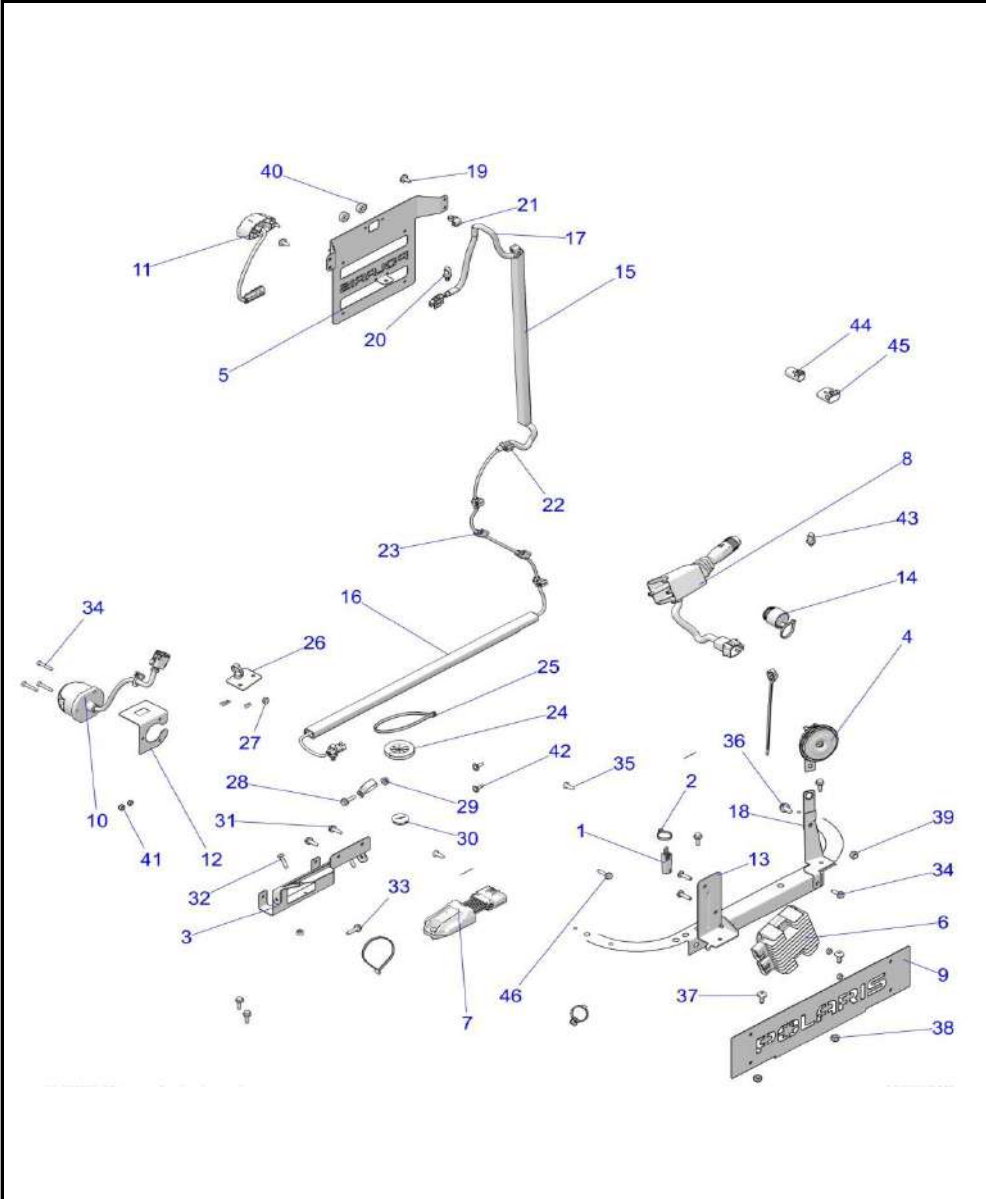
2023 RGR RANGER 570 EU ZUG TRACTOR NORDIC PRO (R02) - R23MAA57F1/SC1/C9/CK/F1/F9



POS	SAP	Part Name	Qty
27	1052585	CLAMP-VINYL COATED,1.00IN ID	1
28	1039719	SCR-#10X1/2-HI/LO-PN-T25, TRX-M	4
29	1047428	WASHER-M8 FW STL 2Y DIN 9021B	4

ELECTRICAL, WIRE HARNESS COMPONENTS, AND LICENSE PLATES

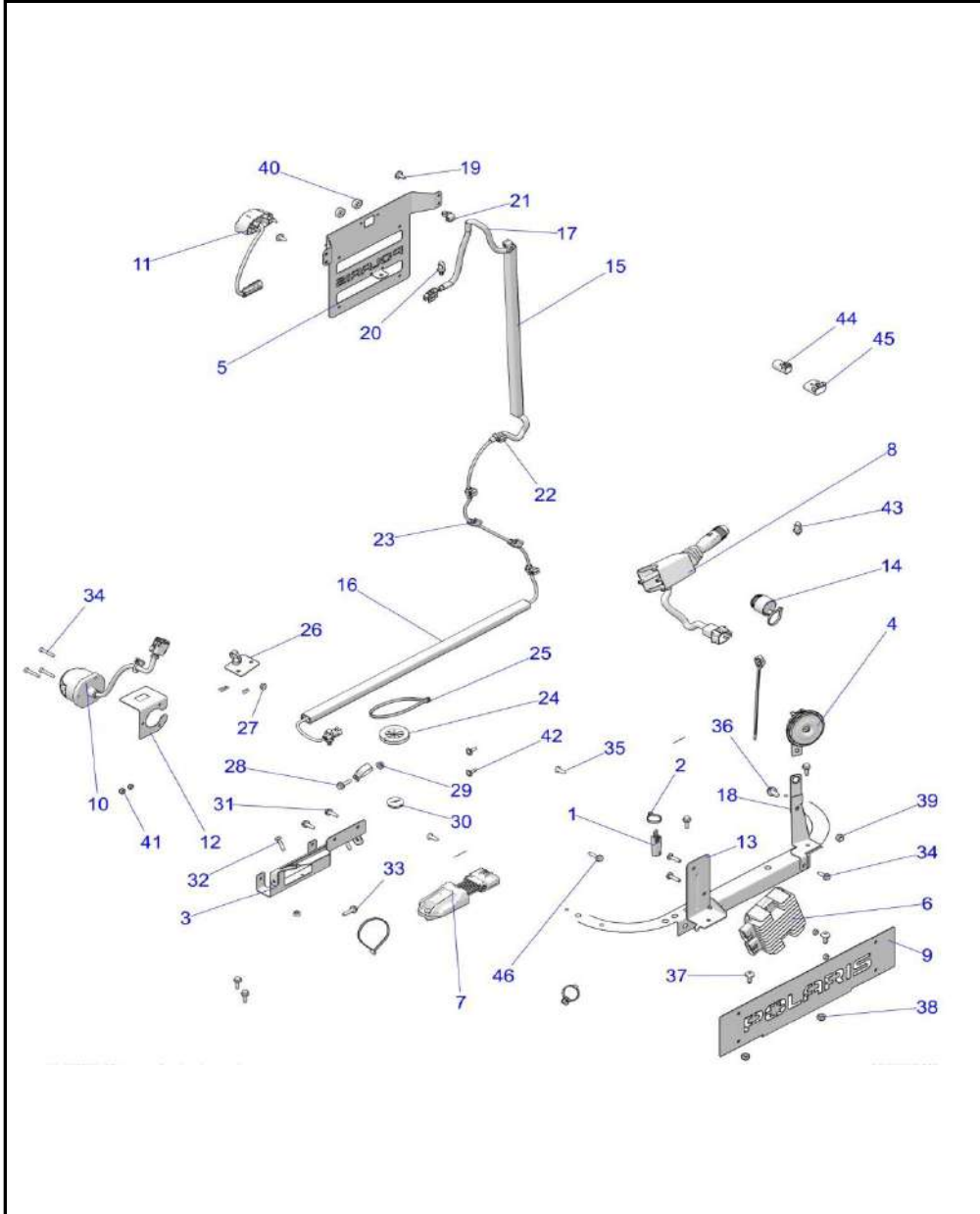
2023 RGR RANGER 570 EU ZUG TRACTOR NORDIC PRO (R02) - R23MAA57F1/SC1/C9/CK/F1/F9



POS	SAP	Part Name	Qty
1	1045707	JUMPER-BRAKE PRESSURE SWITCH [A57F1][S57F1][F9]	1
2	1039612	PANDUIT STRAP	3
3	1052586	BRKT-FUSE BLOCK,BLK	1
4	1009565	HORN, DISC	1
5	1052587	BRKT-LICENSE PLATE,TR,M.BLK	1
6	1009597	REGULATOR-3PH,50A,SERIES,HISPD	1
7	1009602	MODULE-FLASH,TURN,TRAILER,TRC	1
8	1045683	SWITCH BLOCK,TURN,LIGHTS HORN	1
9	1047432	BRKT-LICENSE PL,FRONT,M.BLK [S57F1]	1
9	1052588	BRKT-LICENSE PL FRONT,M.BLK [F9]	1
10	1047448	JUMPER,TRAILER SOCKET,FS	1
11	1005857	LIGHT-LICENSE PLATE,TRACTR,BLK [S57F1][F9][C1]	1
12	1047449	SHIELD-TRAILER CONNECTOR,FS	1
13	1052589	WELD-REGULATOR MOUNT,BLK	1
14	1045709	ALARM-BRAKE, WARNING	1
15	1052590	CHANNEL-ROUTING,B-PILLAR	1
16	1052591	Guide, harness	1
17	1052592	JUMPER-LICENSE PLATE,570,TR	1
18	1052593	BRKT-HORN,COLORADO,BLK	1
19	1014437	SCR-M6X1X16 TR/TX-M	2
20	1014065	CLIP-ROUTING	3
21	1045706	CLIP-EDGE, 1-3mm THICKNESS	1
22	1052594	CLIP-EDGE,1-3MM THICKNESS	1
23	1046909	CLIP-EDGE, 1-3mm THICKNESS	1
24	1045220	GROMMET, ELEC, CAB, SLIT	1
25	1045691	STRAP,BLK,WEATHER-RESIST.(10)	3
26	1052595	BRKT-HARNESS,O2 SENSOR,BLK	1
27	1045182	NUT-HXFLGHD, M6, SERRATED	5
28	1040235	BOLT-M8X1.25X25,HXFLG-OLIVE D	1

ELECTRICAL, WIRE HARNESS COMPONENTS, AND LICENSE PLATES

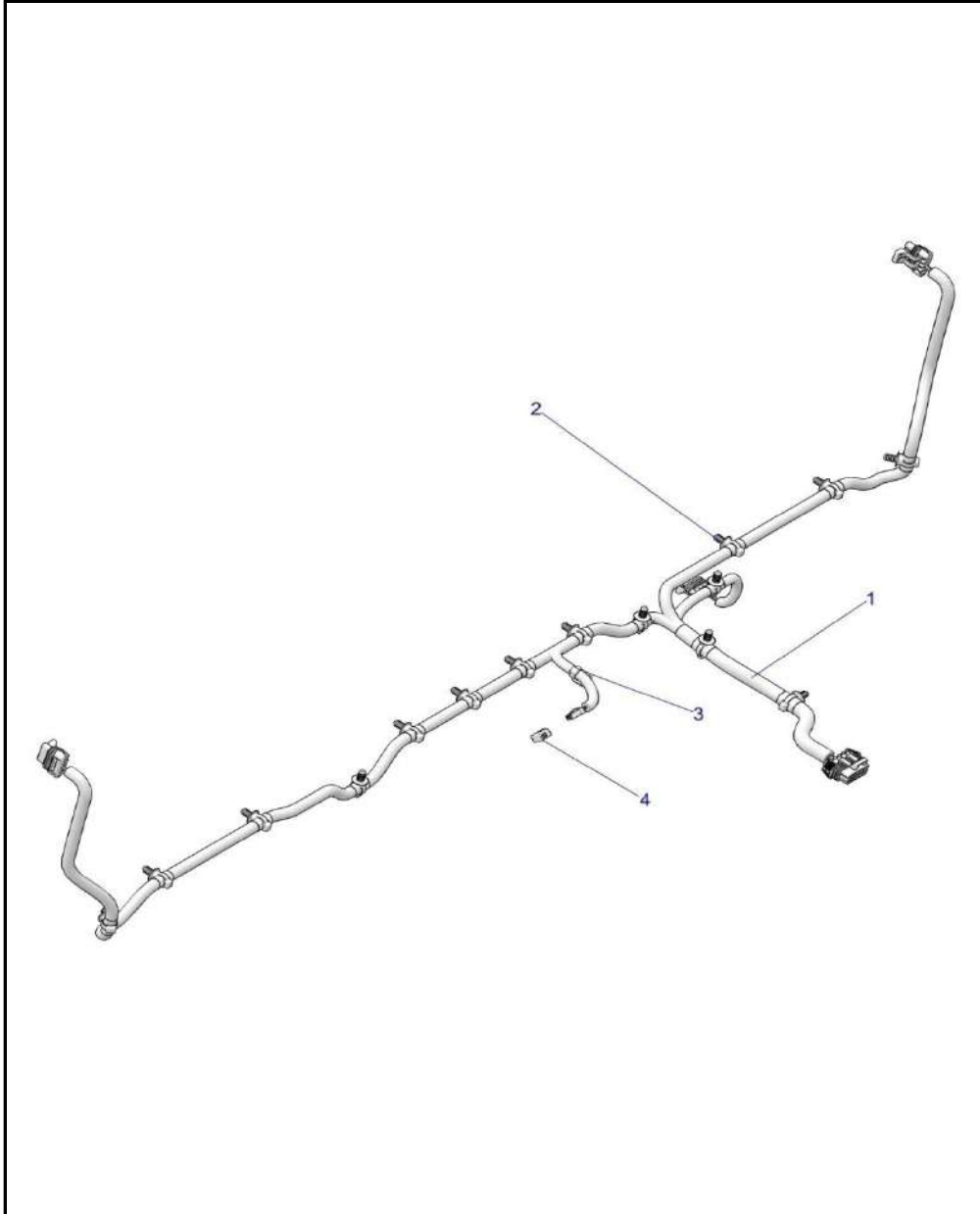
2023 RGR RANGER 570 EU ZUG TRACTOR NORDIC PRO (R02) - R23MAA57F1/SC1/C9/CK/F1/F9



POS	SAP	Part Name	Qty
29	1014499	NUT- M8X1.25, FLG, NYLOC-OLIVE D	4
30	1052596	GROMMET-USB,3MM,22MM DIA CUT	1
31	1039683	SCR-M6X1.0X20, HXHD, FLG, TDFM, BK	6
32	1046721	BOLT, TORX, PANHEAD, BLACK	2
33	1046897	SCR-TFHFL-M6X1.0X25,ZY3	1
34	1039655	SCR-10-24X1.25TFM PN TRX TRI-Y	3
35	1045772	SCR-TX TRUSS-#14X3/4, HI/LO ZBK	8
36	1045866	SCR-HXFL-M8X1.25X20 8.8 ZY3	1
37	1014473	SCR-TXTH-M8X1.25X20 8.8 ZB3 P3 [S57F1][F9]	2
38	1014497	NUT-HEX,M8X1.25,NYLOCK-SS [S57F1][F9]	2
39	1039779	NUT,NYLOCK M8X1.25(10) [A57F1][S57F1][F9]	1
40	1045690	WASHER-.28 X.75 X.25-NYLON-B [S57CK]	2
41	1039773	NUT-6MM X 1 NYLOK-Z [S57CK]	3
42	1039669	SCR-10-24X3/4 PH/TX/TRI-SEMS Y [S57CK]	2
43	1052597	CLIP-EDGE,DIA4-110MM,FIR-TREE	1
44	1052598	CONNECTOR, CAP, EPS, SIGNAL	1
45	1052599	CONNECTOR, CAP, EPS POWER	1
46	1039672	SCR-HXFL-M10X1.5X20 8.8 Z NYL	1

ELECTRICAL, WIRE HARNESS, BOX

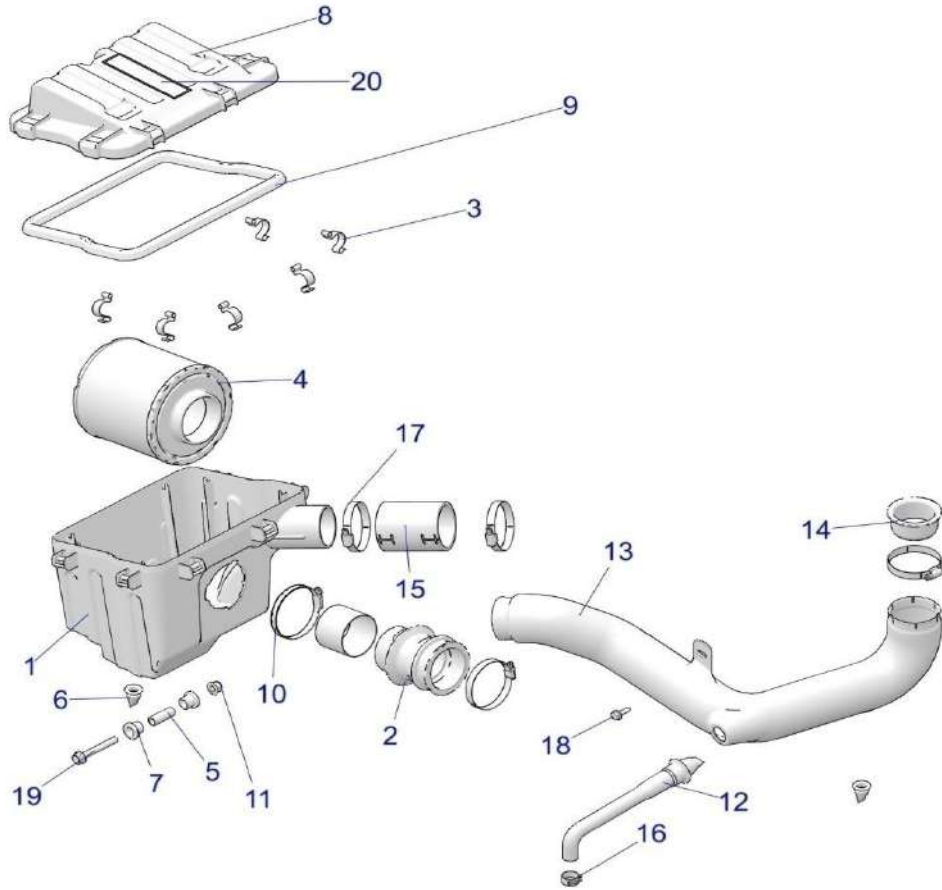
2023 RGR RANGER 570 EU ZUG TRACTOR NORDIC PRO (R02) - R23MAA57F1/SC1/C9/CK/F1/F9



POS	SAP	Part Name	Qty
1	1052600	HARNESS-CHASSIS,570,TR,BOX	1
2	1014065	CLIP-ROUTING	15
3	1045706	CLIP-EDGE, 1-3mm THICKNESS	1
4	1052601	COVER-JST,4P,FEMALE	1

ENGINE, AIR INTAKE SYSTEM

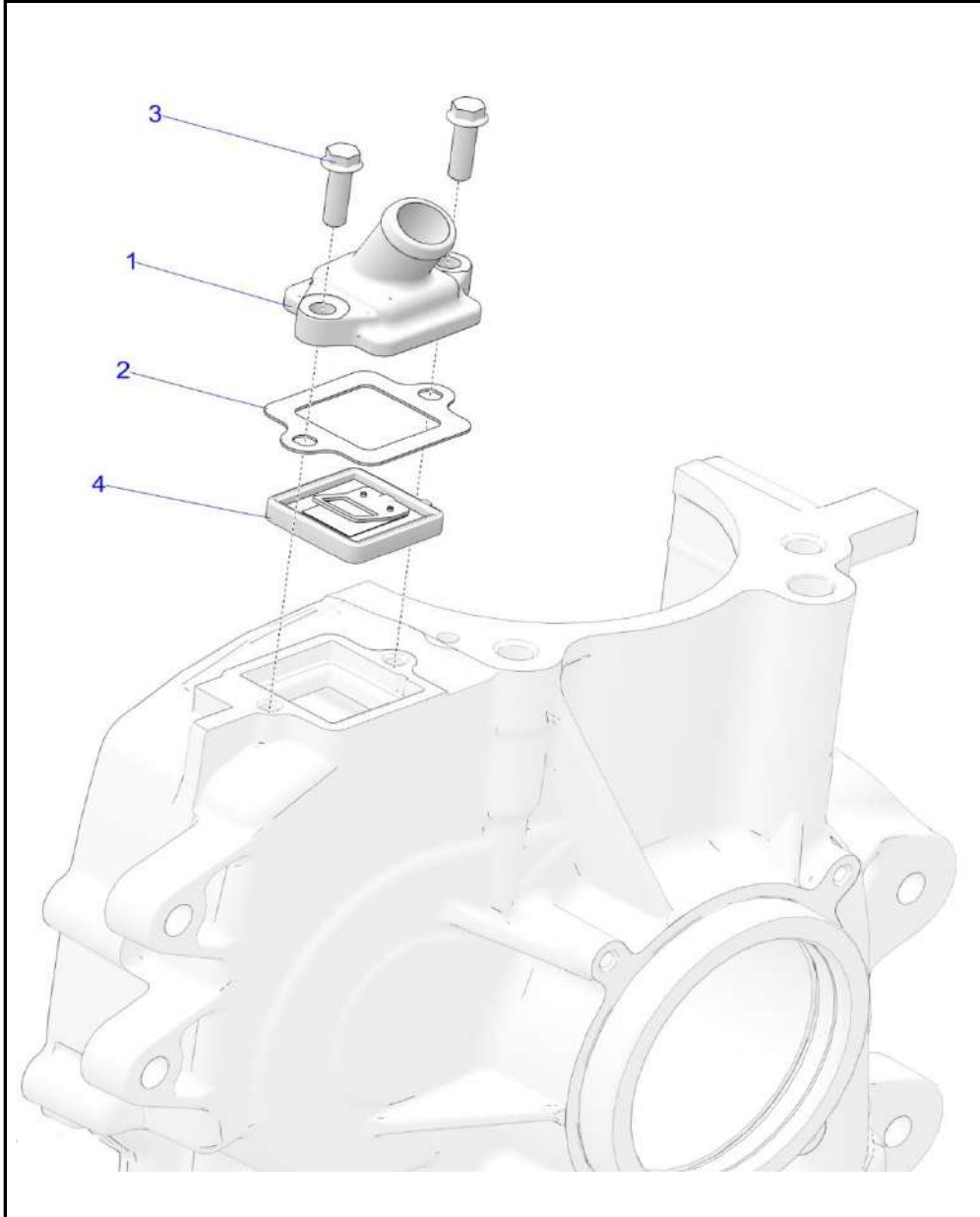
2023 RGR RANGER 570 EU ZUG TRACTOR NORDIC PRO (R02) - R23MAA57F1/SC1/C9/CK/F1/F9



POS	SAP	Part Name	Qty
	1040279	ASM, AIRBOX,570,NRMM [INCL. 1-9]	1
1	1052602	BOX, AIR INTAKE	1
2	1052603	BOOT-ENGINE,INTAKE	1
3	1052604	Clip, Air Box	6
4	1014078	FILTER, AIRBOX, MAIN	1
5	1039505	SHAFT-COMPRESSION LMTR,34.4MM	1
6	1039544	PLUG, DRAIN, HC	2
7	1039552	BUSHING, MOUNT	2
8	1052605	COVER, AIRBOX	1
9	1052606	SEAL, AIR BOX COVER	1
10	1014059	CLAMP, BAND, NARROW, 60-80MM	1
11	1014499	NUT- M8X1.25, FLG, NYLOC-OLIVE D	1
12	1052607	ASM-HOSE, BREATHER [INCL. VALVE]	1
12	1052608	VALVE-BREATHER W/.53" BARB ID	1
13	1052609	DUCT, INTAKE, AIRBOX	1
14	1052610	SEAL, ENGINE, INLET	1
15	1052611	HOSE, ENGINE, INLET	1
16	1039625	CLAMP-HOSE,SPRING .81	1
17	1039633	CLAMP-HOSE 70MM DIA. WORM GEAR	4
18	1039683	SCR-M6X1.0X20, HXHD, FLG, TDFM, BK	1
19	1039746	SCR-HXFL-M8X1.25X60 8.8 ZOD	1
20	1039652	DECAL-WARN,INTAKE	1

ENGINE, BREATHER

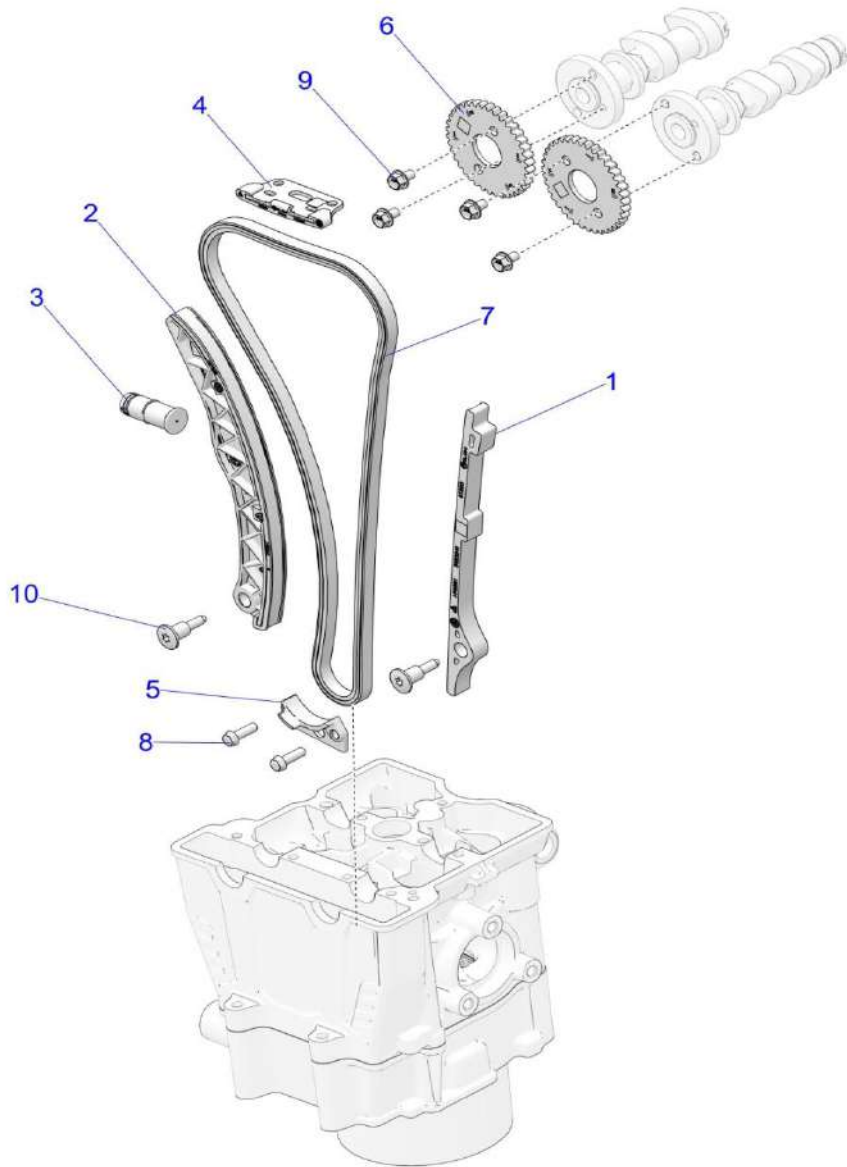
2023 RGR RANGER 570 EU ZUG TRACTOR NORDIC PRO (R02) - R23MAA57F1/SC1/C9/CK/F1/F9



POS	SAP	Part Name	Qty
1	1045969	COVER-BREATHER,MACH	1
2	1045970	GASKET, BREATHER, COVER	1
3	1039698	SCREW-HXFL-M6X1.0X20 8.8 ZY3	2
4	1045971	ASM., REED W/GASKET [INCL. RIVETS]	1
4	1052612	RIVET-TUB,1/16X0.125,BRASS	2

ENGINE, CAM CHAIN and SPROCKET

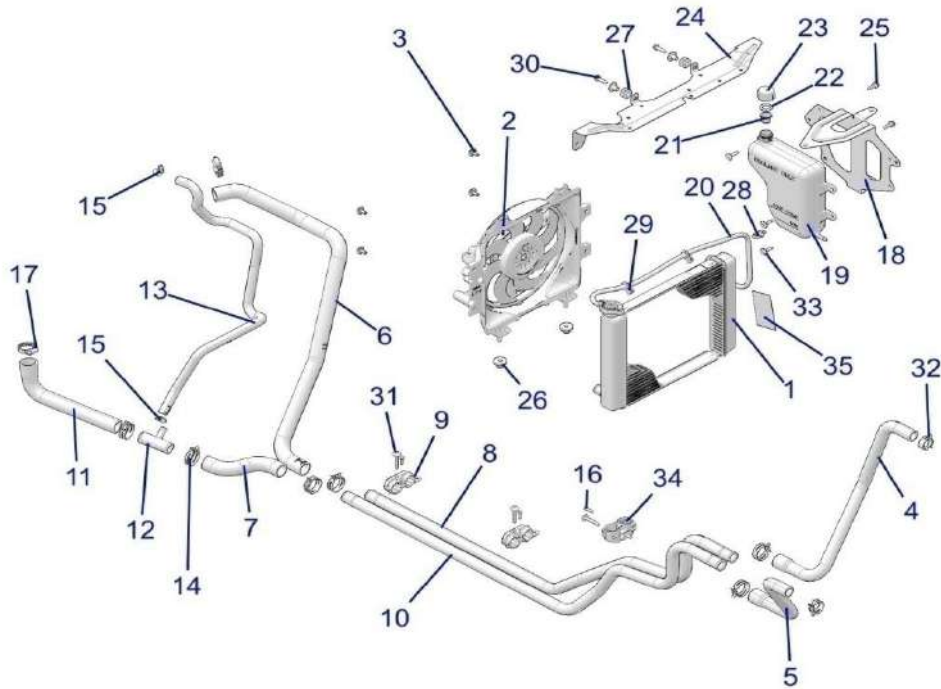
2023 RGR RANGER 570 EU ZUG TRACTOR NORDIC PRO (R02) - R23MAA57F1/SC1/C9/CK/F1/F9



POS	SAP	Part Name	Qty
1	1052613	GUIDE, CAMCHAIN, FIXED	1
2	1052614	GUIDE, CAMCHAIN, TENSIONER	1
3	1052615	TENSIONER-CAMCHAIN,HYD [INCL. TENSIONER GASKET]	1
3	1052616	GASKET, TENSIONER	1
4	1052617	GUIDE-CAM DRIVE,UPPER	1
5	1046005	GUIDE, CAM DRIVE, LOWER	1
6	1052618	SPROCKET-CAM,DRIVEN,DOHC	2
7	1041474	CHAIN-CAMSHAFT 144L	1
8	1039698	SCREW-HXFL-M6X1.0X20 8.8 ZY3	2
9	1039728	SCREW-HXFL,M6X1.0X10 10.9	4
10	1039730	SCREW-TXPH-M6X1.0X14 8.8 A2K SHB	2

ENGINE, COOLING SYSTEM

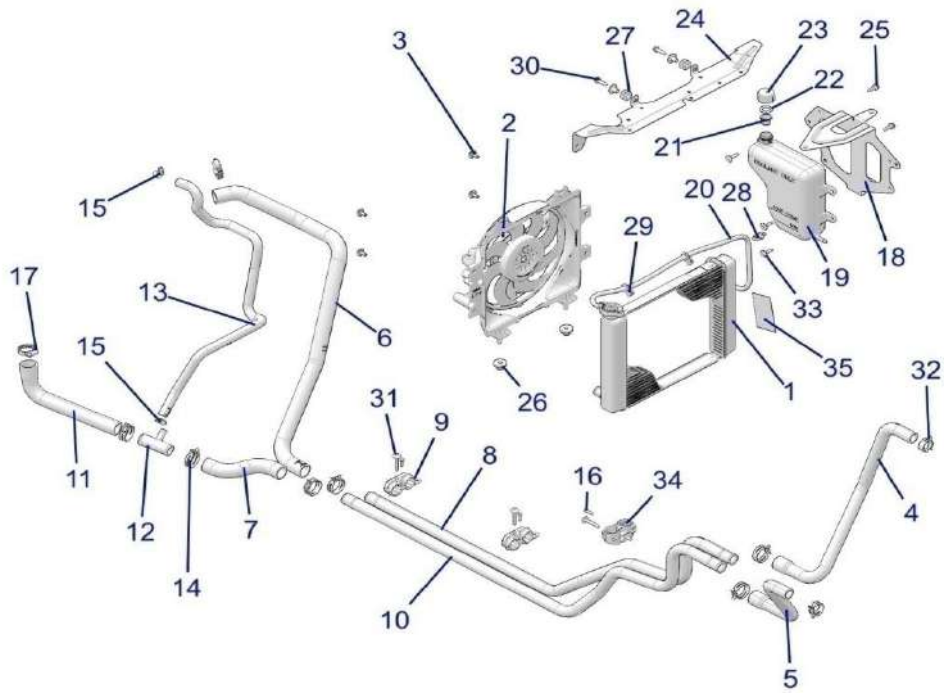
2023 RGR RANGER 570 EU ZUG TRACTOR NORDIC PRO (R02) - R23MAA57F1/SC1/C9/CK/F1/F9



POS	SAP	Part Name	Qty
1	1052635	ASM-RADIATOR [INCL. CAP]	1
2	1052636	ASM-FAN AND MOTOR,TRIPAC,SGL	1
3	1039757	BOLT, M6X15MM	4
4	1052637	HOSE-UPPER,RAD [A57F1][C9][S57F1][F9]	1
5	1052622	HOSE-LOWER,RAD [A57F1][C9][S57F1][F9]	1
6	1052639	HOSE-ENGINE OUTLET,REAR [A57F1][C9][S57F1][F9]	1
7	1052624	HOSE, LOWER, ENGINE, SHORT [A57F1][C9][S57F1][F9]	1
8	1052641	TUBE-COOLANT,1"	1
9	1039574	BRACKET, COOLANT TUBE [QTY 1 FOR CK]	2
10	1052642	TUBE-COOLANT,1"	1
11	1045995	HOSE, BYPASS, 1 INCH, FORMED	1
12	1045997	CONNECTOR-TEE,1X1X0.5	1
13	1052627	HOSE-BYPASS,1/2IN FORMED	1
14	1052645	SPRINGBAND-CLAMP 32/12,BROWN	6
15	1045976	CLAMP, HOSE, SPRING, .875 INCH	2
16	1014423	SCREW-#10X3/4-HI/LO-PN-T25,TRX-M	3
17	1039628	CLAMP, HOSE (WORM DR) 25-40MM	2
18	1052646	BRKT-SURGE TANK,BLK	1
19	1039565	TANK, SURGE	1
20	1052647	LINE, FUEL Substituted by 2870563	AR
21	1011824	CAP,PLUG9X(GRN),FLEX TEMP(10) [INCL. 24]	1
22	1012347	GASKET, OVER FLOW CAP	1
23	1011820	CAP, OVER FLOW BOTTLE, DRILLED	1
24	1052648	BRKT-RAD MNT,UPPER,BLK	1
25	1039683	SCR-M6X1.0X20, HXHD, FLG, TDFM, BK	3
26	1045987	Bushing, Mount, Radiator, Lower	2
27	1052649	ASM-GROMMET & INSERT	2
28	1014065	CLIP-ROUTING [QTY 5 FOR CK]	3
29	1039635	STRAP - CABLE TIE W/ EDGE CLIP	2
30	1052650	SCR-1/4-20X1 HX/WH/TAP/R GR5-Y	2

ENGINE, COOLING SYSTEM

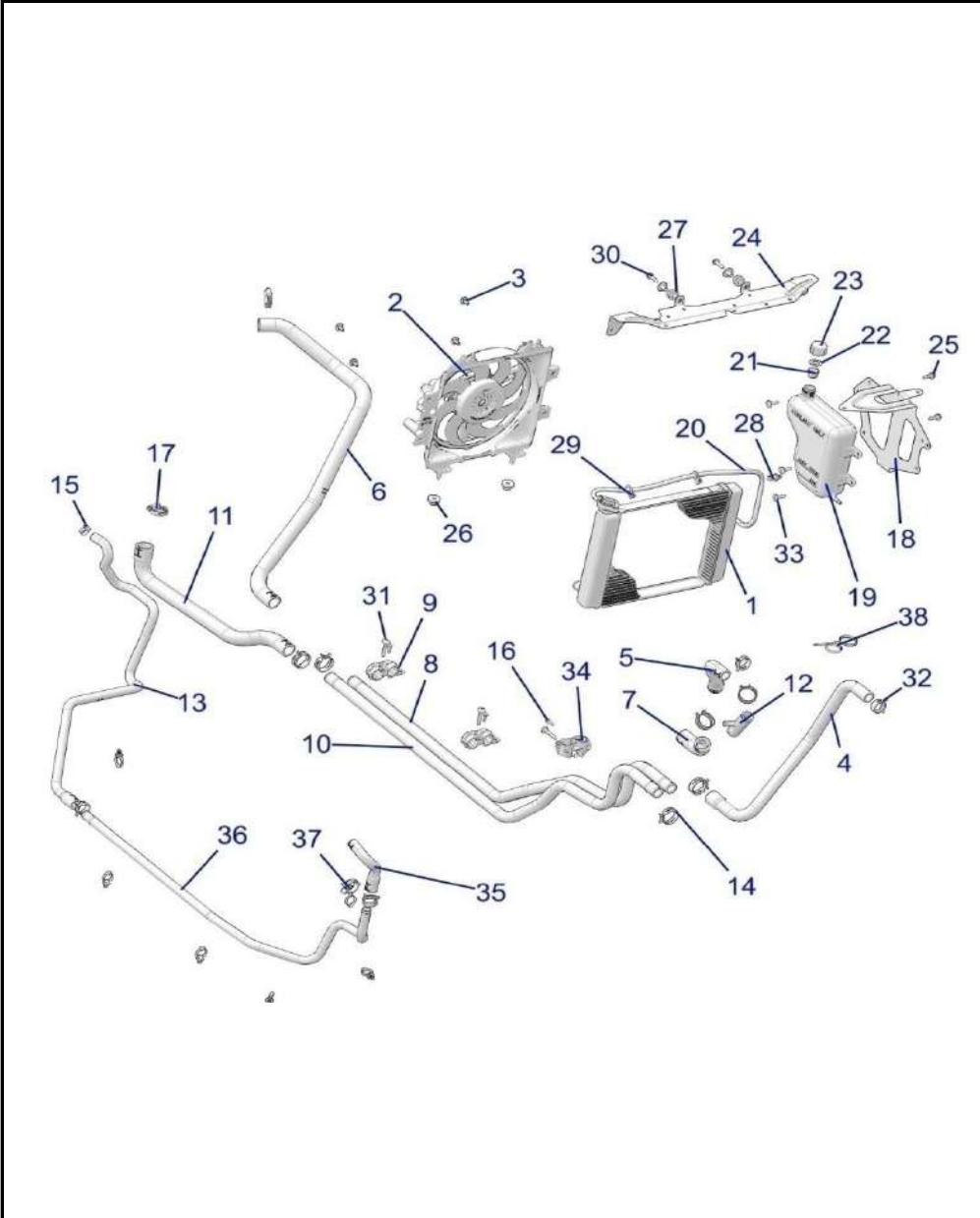
2023 RGR RANGER 570 EU ZUG TRACTOR NORDIC PRO (R02) - R23MAA57F1/SC1/C9/CK/F1/F9



POS	SAP	Part Name	Qty
31	1039714	SCR-TXTH-M6X1.0X50, 8.8, ZPB	3
32	1039620	SPRINGBAND-CLAMP 27/12, GREEN	2
33	1014459	SCR-TXTH-M6X1.0X25 ZFB	3
34	1046936	CLIP-COOLANT ROUTING	1
35	1052634	K-ASM, RADIATOR, eu	1

ENGINE, COOLING, HEATER PREP SYSTEM

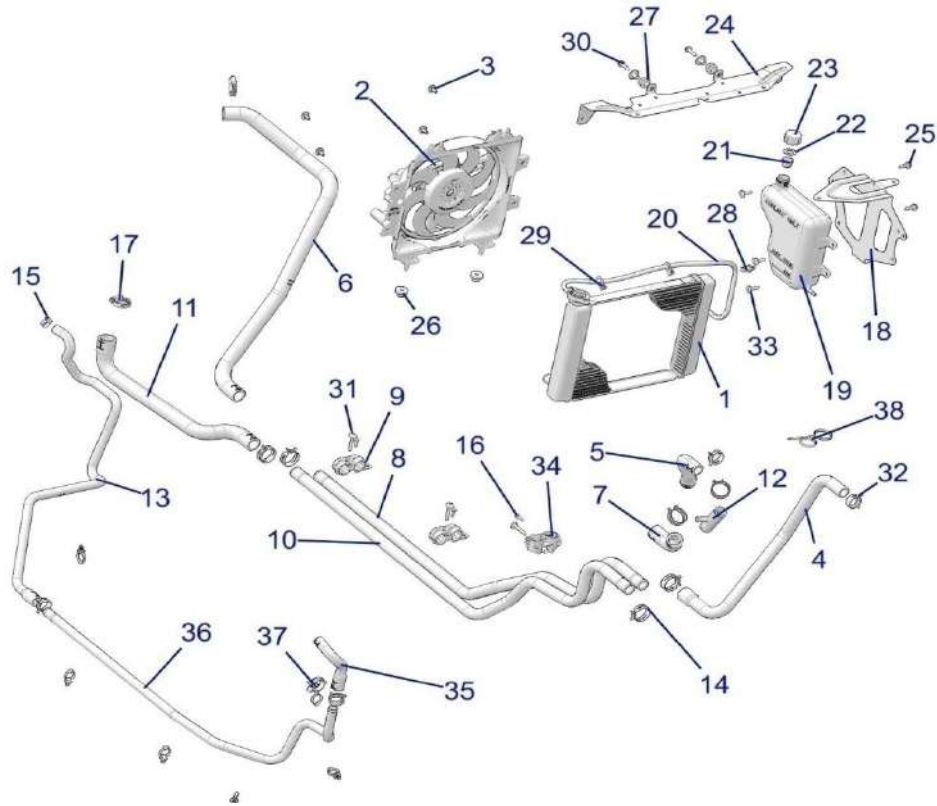
2023 RGR RANGER 570 EU ZUG TRACTOR NORDIC PRO (R02) - R23MAA57F1/SC1/C9/CK/F1/F9



POS	SAP	Part Name	Qty
1	1052635	ASM-RADIATOR	1
2	1052636	ASM-FAN AND MOTOR,TRIPAC,SGL	1
3	1039757	BOLT, M6X15MM	4
4	1052637	HOSE-UPPER,RAD	1
5	1052638	HOSE-COOLANT,3WAY-RAD	1
6	1052639	HOSE-ENGINE OUTLET,REAR	1
7	1052640	HOSE-COOLANT,3WAY-ENG	1
8	1052641	TUBE-COOLANT,1"	1
9	1039574	BRACKET, COOLANT TUBE	1
10	1052642	TUBE-COOLANT,1"	1
11	1052643	HOSE-ENG INLET	1
12	1045997	CONNECTOR-TEE,1X1X0.5	1
13	1052644	HOSE-BYPASS,1/2IN,FORMED	1
14	1052645	SPRINGBAND-CLAMP 32/12,BROWN	6
15	1045976	CLAMP, HOSE, SPRING, .875 INCH	1
16	1014423	SCREW-#10X3/4-HI/LO-PN-T25,TRX-M	3
17	1039628	CLAMP, HOSE (WORM DR) 25-40MM	2
18	1052646	BRKT-SURGE TANK,BLK	1
19	1039565	TANK, SURGE	1
20	1052647	LINE, FUEL Substituted by 2870563	1
21	1011824	CAP,PLUG9X(GRN),FLEX TEMP(10)	1
22	1012347	GASKET, OVER FLOW CAP	1
23	1011820	CAP, OVER FLOW BOTTLE, DRILLED	1
24	1052648	BRKT-RAD MNT,UPPER,BLK	1
25	1039683	SCR-M6X1.0X20, HXHD, FLG, TDFM, BK	3
26	1045987	Bushing, Mount, Radiator, Lower	2
27	1052649	ASM-GROMMET & INSERT	2
28	1014065	CLIP-ROUTING	7
29	1039635	STRAP - CABLE TIE W/ EDGE CLIP	2
30	1052650	SCR-1/4-20X1 HX/WH/TAP/R GR5-Y	2

ENGINE, COOLING, HEATER PREP SYSTEM

2023 RGR RANGER 570 EU ZUG TRACTOR NORDIC PRO (R02) - R23MAA57F1/SC1/C9/CK/F1/F9



POS	SAP	Part Name	Qty
31	1039714	SCR-TXTH-M6X1.0X50, 8.8, ZPB	3
32	1039620	SPRINGBAND-CLAMP 27/12, GREEN	2
33	1014459	SCR-TXTH-M6X1.0X25 ZFB	3
34	1046936	CLIP-COOLANT ROUTING	1
35	1052651	HOSE-HEATER FRONT	1
36	1052652	TUBE-HVAC, COOLANT, 2P	1
37	1046966	CLIP-OMEGA, CABLE/19-24.5MM DIA	1
38	1039636	STRAP-PANDUIT, DBL LOOP, 260MM	1

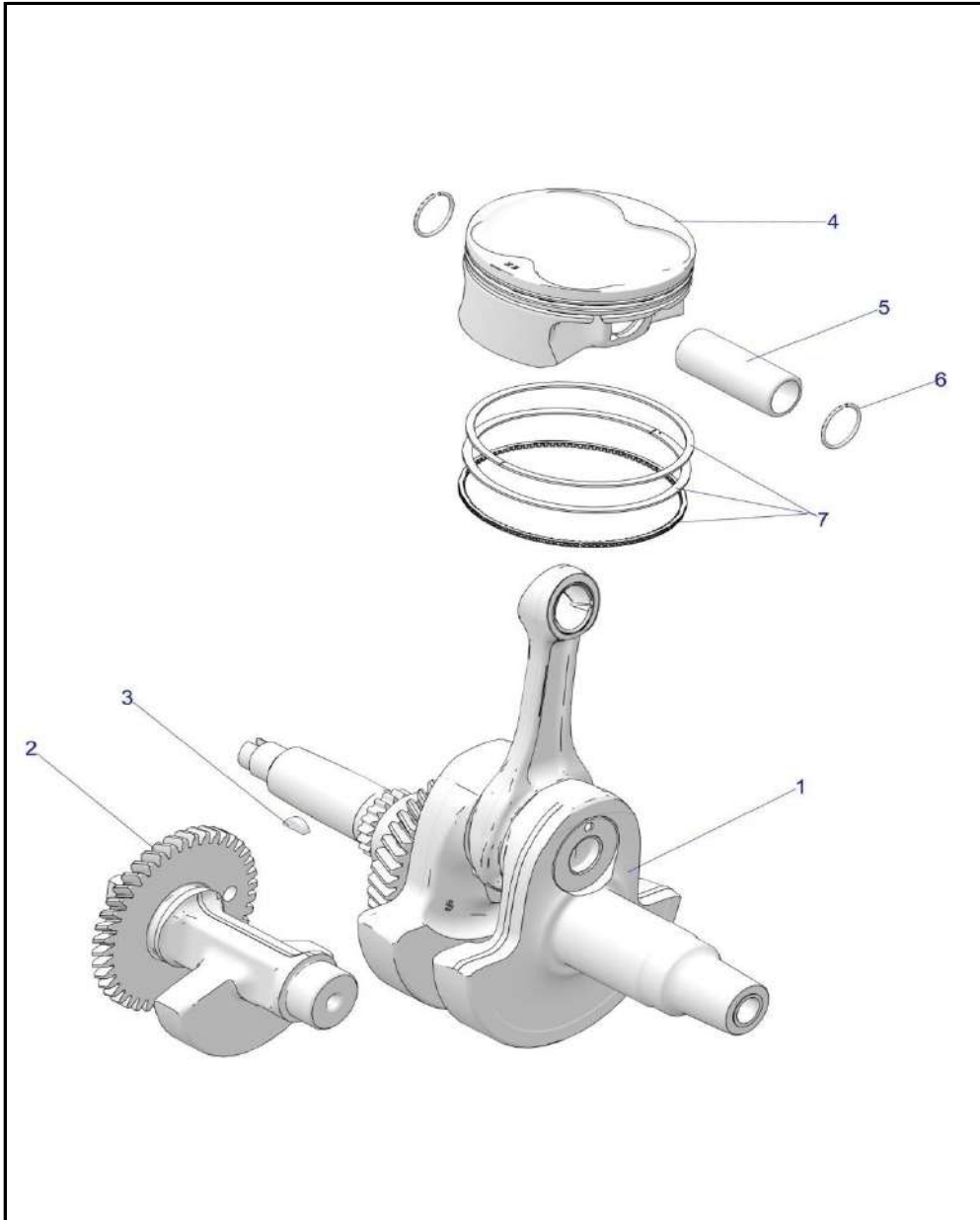
ENGINE, CRANKCASE

2023 RGR RANGER 570 EU ZUG TRACTOR NORDIC PRO (R02) - R23MAA57F1/SC1/C9/CK/F1/F9

POS	SAP	Part Name	Qty
1	1052653	KIT, CRANKCASE [INCL. 1-10,12,14]	1
2	1008437	BEARING, BALL [TO 12/1/2022]	2
2	1052654	BEARING-BALL,30X62X16 [FROM 12/1/2022]	2
3	1040279	BEARING, MAIN	1
4	1039499	PIN, DOWEL, M6x10	7
5	1011486	PLATE, BEARING RETAINER	1
6	1052655	SPACER, BEARING [TO 12/1/2022]	1
6	1052656	SPACER-BRG,MACH [FROM 12/1/2022]	1
7	1046001	Plug, Expansion, 19MM	1
8	1046002	SCREW-M6X12 TORX DR FH	2
9	1052668	DOWEL-HOLLOW,M8X8	1
10	1046003	RING, SNAP	1
11	1014028	PLUG-SOCKET,M12X1.5 DIN 908A	1
12	1046004	SCREW-M8X1.25X90	15
13	1008811	SEAL, CRANKSHAFT	1
14	1008436	BEARING, BALL [TO 12/1/2022]	2
14	1052658	BEARING-BALL 40X80X18 DG NCAGE [FROM 12/1/2022]	2
15	1012351	WASHER-19X12X1.3,COPPER	1

ENGINE, CRANKSHAFT, PISTON and BALANCE SHAFT

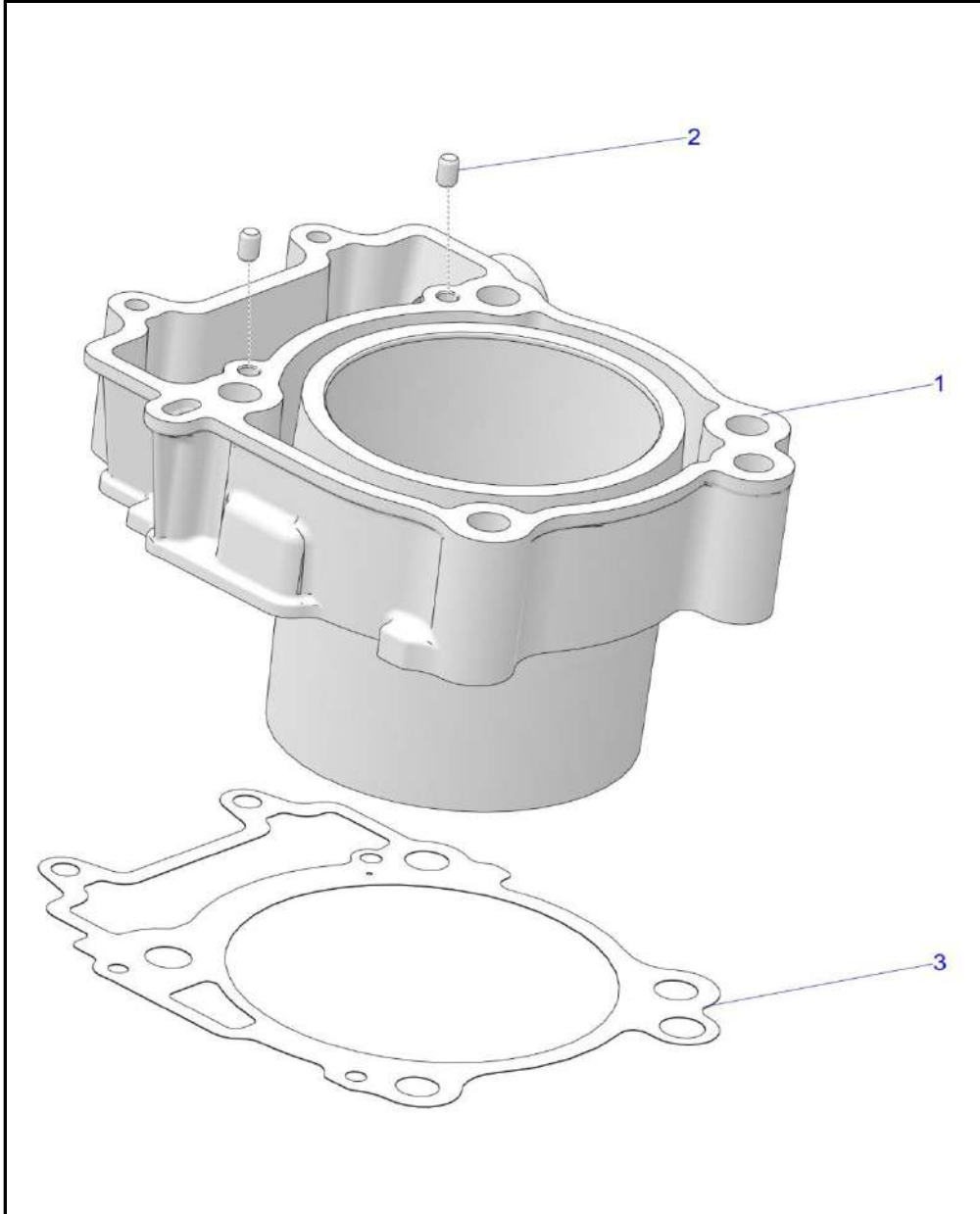
2023 RGR RANGER 570 EU ZUG TRACTOR NORDIC PRO (R02) - R23MAA57F1/SC1/C9/CK/F1/F9



POS	SAP	Part Name	Qty
1	1005172	K-CRANKSHAFT 570 [INCL. CRANKSHAFT, JET, OIL PUMP]	1
2	1046006	ASM., BALANCE SHAFT	1
3	1014636	KEY,WOODRUFF(10)	1
4	1005155	KIT - ASM., PISTON, 99MM, STANDARD [INCL. STANDARD SIZE PISTON, PIN, CLIPS, RING SET]	1
5	1046007	PIN-PISTON,22X12.8X56.6MM	1
6	1046008	RING-RTNG,RND,22.0X1.6,0600102	2
7	1046009	KIT, RINGS, PISTON (STANDARD) [INCL. QTY 1 EACH OF TOP RING, OIL SCRAPER RING, AND SECOND COMPRESSION RING]	1

ENGINE, CYLINDER

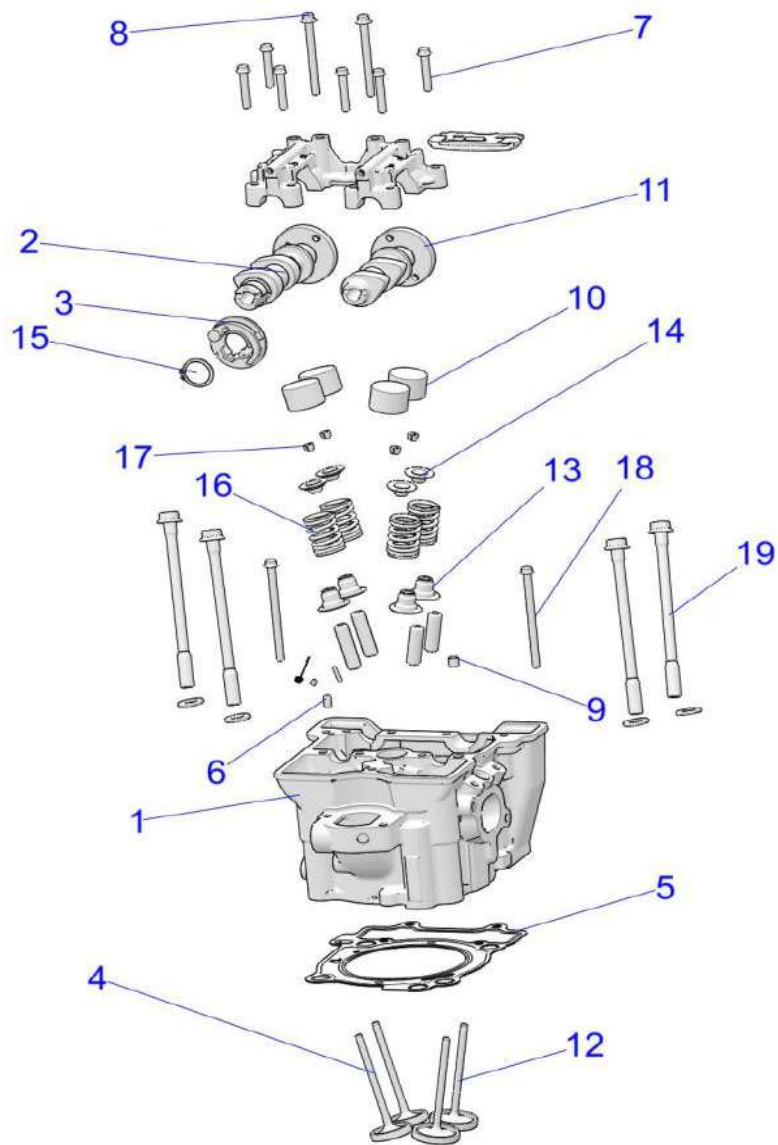
2023 RGR RANGER 570 EU ZUG TRACTOR NORDIC PRO (R02) - R23MAA57F1/SC1/C9/CK/F1/F9



POS	SAP	Part Name	Qty
1	1007010	ASM., CYLINDER, 99MM [INCL. 2][TO 10/1/2022]	1
1	1052659	ASM., CYLINDER, 99MM [INCL. 2][FROM 10/1/2022]	1
2	1052660	PIN-DOWEL,M6X10	2
3	1011515	GASKET, BASE	1

ENGINE, CYLINDER HEAD, CAMS and VALVES

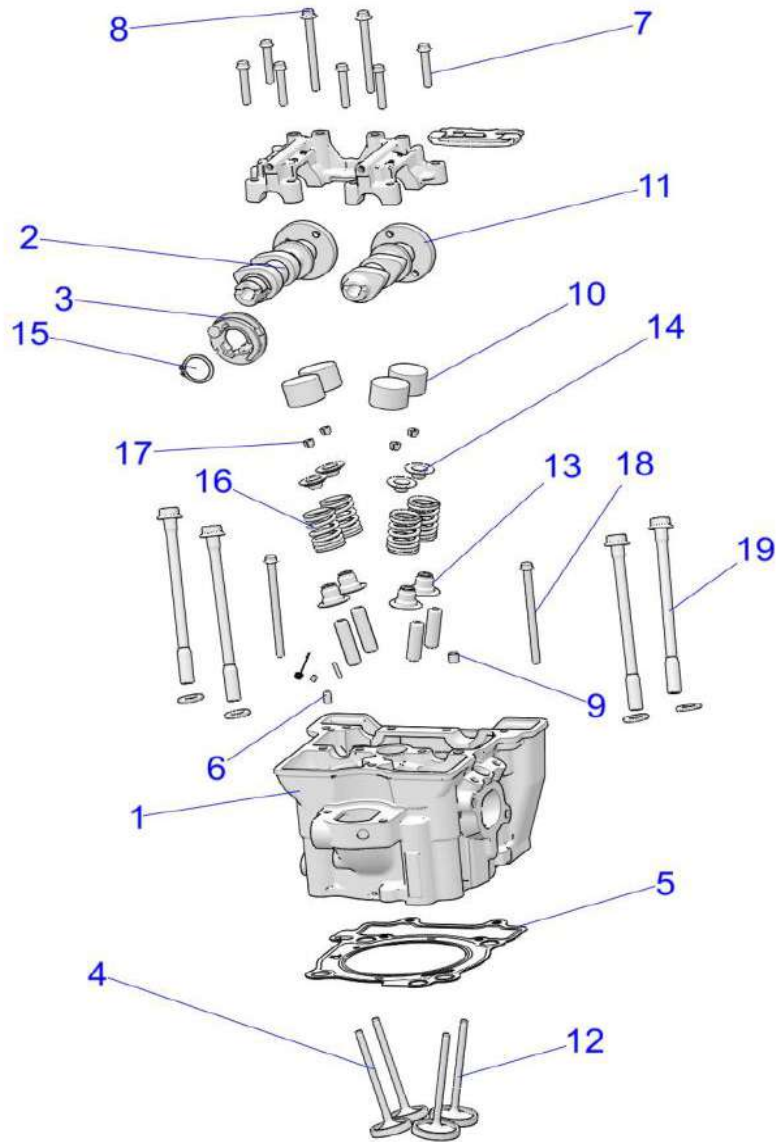
2023 RGR RANGER 570 EU ZUG TRACTOR NORDIC PRO (R02) - R23MAA57F1/SC1/C9/CK/F1/F9



POS	SAP	Part Name	Qty
1	1052661	ASM-SUB CYL HEAD,1 CYL,DOHC [INCL. 1- 4, 11-17]	1
1	1052662	ASM-CYLINDER HEAD,1 CYL,MACH [INCL.7,8]	1
2	1052663	CAMSHAFT-EXH,MACH	1
3	1046013	ASM., DECOMP SYSTEM, LH	1
4	1052664	VALVE, EXHAUST, INCONEL	2
5	1046014	GASKET, CYLINDER HEAD	1
6	1052665	PIN-DOWEL,M6X10	1
7	1052666	SCR-HXFL-M6X1.0X35 10.9 P&O	6
8	1052667	SCR-HXFL M6X1.0X70 10.9	2
9	1052668	DOWEL-HOLLOW,M8X8	1
10	1039838	TAPPET, VALVE, GRADED, 4.400	AR
10	1039839	TAPPET, VALVE, GRADED, 4.425	AR
10	1039840	TAPPET, VALVE, GRADED, 4.450	AR
10	1039841	TAPPET, VALVE, GRADED, 4.475	AR
10	1039842	TAPPET, VALVE, GRADED, 4.500	AR
10	1039843	TAPPET, VALVE, GRADED, 4.525	AR
10	1039844	TAPPET, VALVE, GRADED, 4.550	AR
10	1039845	TAPPET, VALVE, GRADED, 4.575	AR
10	1039846	TAPPET, VALVE, GRADED, 4.600	AR
10	1039847	TAPPET, VALVE, GRADED, 4.625	AR
10	1039848	TAPPET, VALVE, GRADED, 4.650	AR
10	1039849	TAPPET, VALVE, GRADED, 4.675	AR
10	1041355	TAPPET, VALVE, GRADED, 4.700	AR
10	1039851	TAPPET, VALVE, GRADED, 4.725	AR
10	1039852	TAPPET, VALVE, GRADED, 4.750	AR
10	1039853	TAPPET, VALVE, GRADED, 4.775	AR
10	1039854	TAPPET, VALVE, GRADED, 4.800	AR
10	1039855	TAPPET, VALVE, GRADED, 4.825	AR
10	1039856	TAPPET, VALVE, GRADED, 4.850	AR
10	1039857	TAPPET, VALVE, GRADED, 4.875	AR

ENGINE, CYLINDER HEAD, CAMS and VALVES

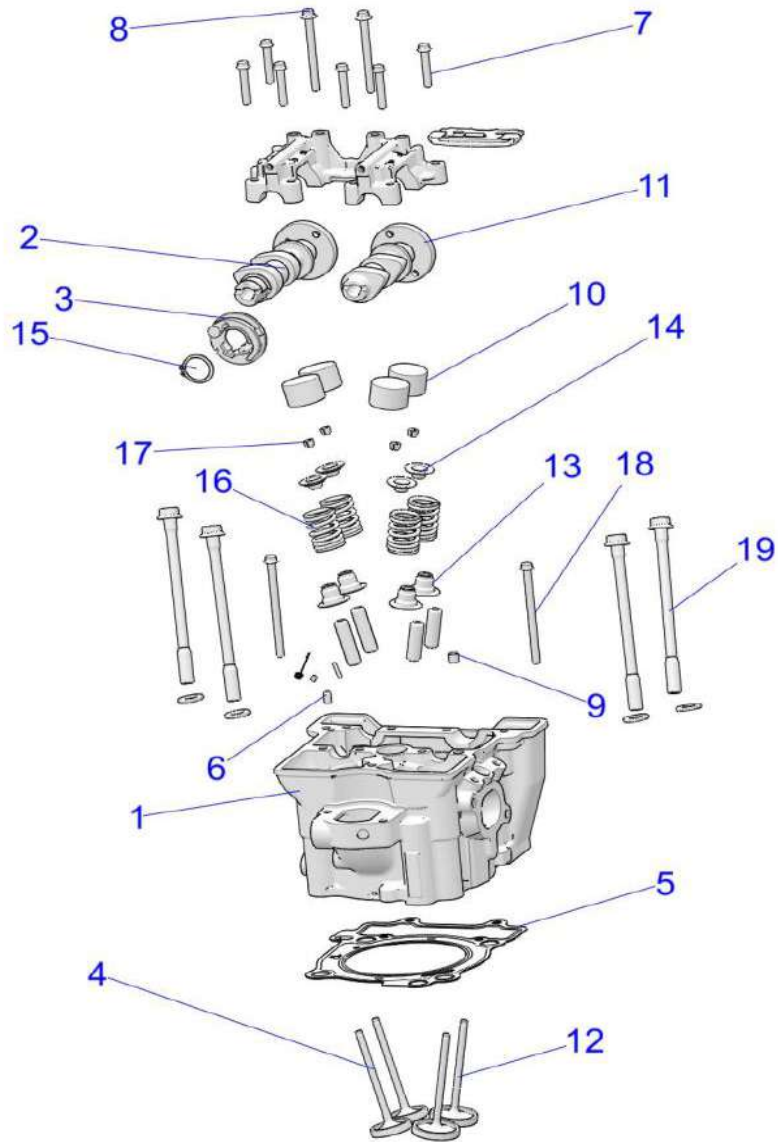
2023 RGR RANGER 570 EU ZUG TRACTOR NORDIC PRO (R02) - R23MAA57F1/SC1/C9/CK/F1/F9



POS	SAP	Part Name	Qty
10	1039858	TAPPET, VALVE, GRADED, 4.900	AR
10	1039859	TAPPET, VALVE, GRADED, 4.925	AR
10	1039860	TAPPET, VALVE, GRADED, 4.950	AR
10	1039861	TAPPET, VALVE, GRADED, 4.975	AR
10	1039862	TAPPET, VALVE, GRADED, 5.000	AR
10	1039863	TAPPET, VALVE, GRADED, 5.025	AR
10	1039864	TAPPET, VALVE, GRADED, 5.050	AR
10	1039865	TAPPET, VALVE, GRADED, 5.075	AR
10	1039866	TAPPET, VALVE, GRADED, 5.100	AR
10	1039867	TAPPET, VALVE, GRADED, 5.125	AR
10	1039868	TAPPET, VALVE, GRADED, 5.150	AR
10	1039869	TAPPET, VALVE, GRADED, 5.175	AR
10	1039870	TAPPET, VALVE, GRADED, 5.200	AR
10	1039871	TAPPET, VALVE, GRADED, 5.225	AR
10	1039872	TAPPET, VALVE, GRADED, 5.250	AR
10	1039873	TAPPET, VALVE, GRADED, 5.275	AR
10	1039874	TAPPET, VALVE, GRADED, 5.300	AR
10	1039875	TAPPET, VALVE, GRADED, 5.325	AR
10	1039876	TAPPET, VALVE, GRADED, 5.350	AR
10	1039877	TAPPET, VALVE, GRADED, 5.375	AR
10	1039878	TAPPET, VALVE, GRADED, 5.400	AR
10	1039879	TAPPET, VALVE, GRADED, 5.425	AR
10	1039880	TAPPET, VALVE, GRADED, 5.450	AR
11	1052669	CAMSHAFT, INTAKE,MACH	1
12	1039405	VALVE-INTAKE,STEEL,G-90	2
13	1008817	SEAT, W/SEAL, VALVE SPRING	4
14	1039504	RETAINER, VALVE	4
15	1046016	RING, SNAP	1
16	1046950	SPRING, VALVE [TO 8/1/2022]	4
16	1052670	SPRING-VALVE [FROM 8/1/2022]	4

ENGINE, CYLINDER HEAD, CAMS and VALVES

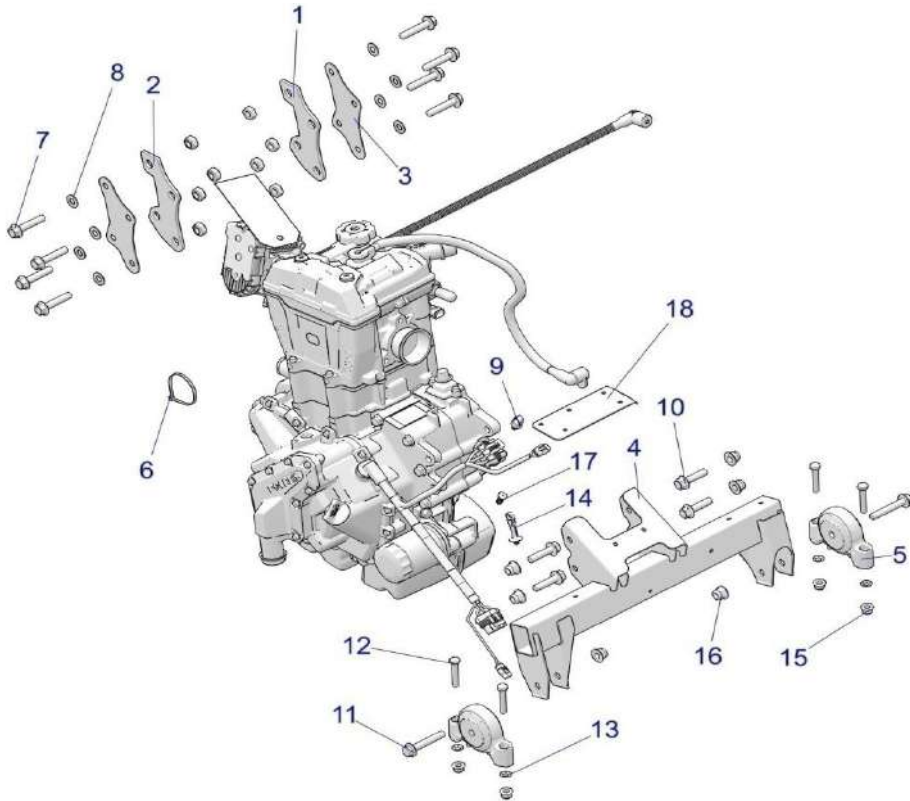
2023 RGR RANGER 570 EU ZUG TRACTOR NORDIC PRO (R02) - R23MAA57F1/SC1/C9/CK/F1/F9



POS	SAP	Part Name	Qty
17	1039631	KEEPER, VALVE	8
18	1014449	SCR-HXFLG,M6X1.0X90	2
19	1014479	SCREW-HXFL-M11X1.25X150 SAE4037	4

ENGINE, ENGINE and TRANSMISSION MOUNTING

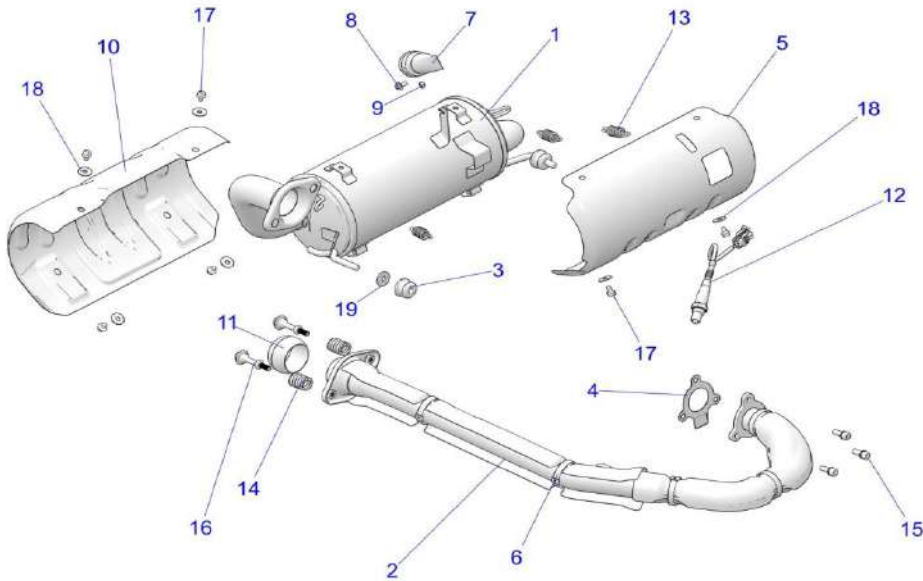
2023 RGR RANGER 570 EU ZUG TRACTOR NORDIC PRO (R02) - R23MAA57F1/SC1/C9/CK/F1/F9



POS	SAP	Part Name	Qty
1	1052671	WELD-TRANS,INNER,LH	1
2	1052672	WELD-TRANS,INNER,RH	1
3	1046019	BRACKET, COUPLER, TRANSMISSION, OUTER	2
4	1052673	MOUNT, ENGINE, BLACK	1
5	1039356	MOUNT, ISOLATOR, DRIVELINE	1
6	1039612	PANDUIT STRAP	1
7	1052674	SCR-M10X1.5X50 8.8 HX/FL ZOD	8
8	1014520	WASHER-3/8 FW SAE STL THRU-HRD	8
9	1014065	CLIP-ROUTING	3
10	1039751	SCR-HXFL-M10X1.25X40 8.8 ZOD	4
11	1039694	SCR-HXFL-M10X1.25X60 8.8 ZOD	1
12	1039723	SCREW-HH M8X1.25X45 8.8 ZOD	2
13	1039776	NUT-5/16-PAL-Y	2
14	1052705	TIE-CABLE,25MM STAND OFF	1
15	1014499	NUT- M8X1.25, FLG, NYLOC-OLIVE D	4
16	1014500	NUT-M10X1.25, FLG, NYLOC-OLIVE D	6
17	1047450	CLIP-XMAS TREE, .945 X .228	1
18	1052676	BRKT-HARNESS,STATOR/CPS,BLK	1

ENGINE, EXHAUST SYSTEM

2023 RGR RANGER 570 EU ZUG TRACTOR NORDIC PRO (R02) - R23MAA57F1/SC1/C9/CK/F1/F9



POS	SAP	Part Name	Qty
1	1052677	ASM-EXHAUST,RGR570,NRMM [INCL. 1,7,8,9]	1
1	1052678	WELD-EXHAUST,SS,NRMM	1
2	1052679	ASM-HEADPIPE,570,NRMM	1
3	1047542	ISOLATOR-EXHAUST,HANGER,HD	2
4	1052680	SEAL-EXHAUST,MANIFOLD,570	1
5	1052681	SHIELD-HEAT,SILENCER	1
6	1039626	CLAMP,HEAT SHIELD, EXHAUST ADD	5
7	1052682	WELD-SPARK ARRESTOR,1IN [INCL. 8]	1
8	1039661	SCREW-HXFL-M6X1.0X12 10.9 ZPC	1
9	1039777	NUT-HEXHD,M6,DIN980V,0600100	1
10	1052683	SHIELD-HEAT,SILENCER,OUTER	1
11	1008819	GASKET-DOUBLE SPHERICAL,2"	1
12	1009569	SENSOR, LAMBDA, LSF 4.2	1
13	1047543	SPRING-EXHAUST S.S. SHOTPEENED	3
14	1014011	SPRING, SPHERICAL, EXHAUST	2
15	1039711	SCR-HXFL-M5X0.8X12 4.8 ZPC NYL	3
16	1014477	STUD, SPHERICAL, EXHAUST	2
17	1052684	SCR-HXFL-M6X1.0X10 10.9 ZFB	6
18	1045838	WASHER-6.4X18.0X1.6 ZPB	6
19	1045269	WASHER-.406X1.00X.125,FL	2

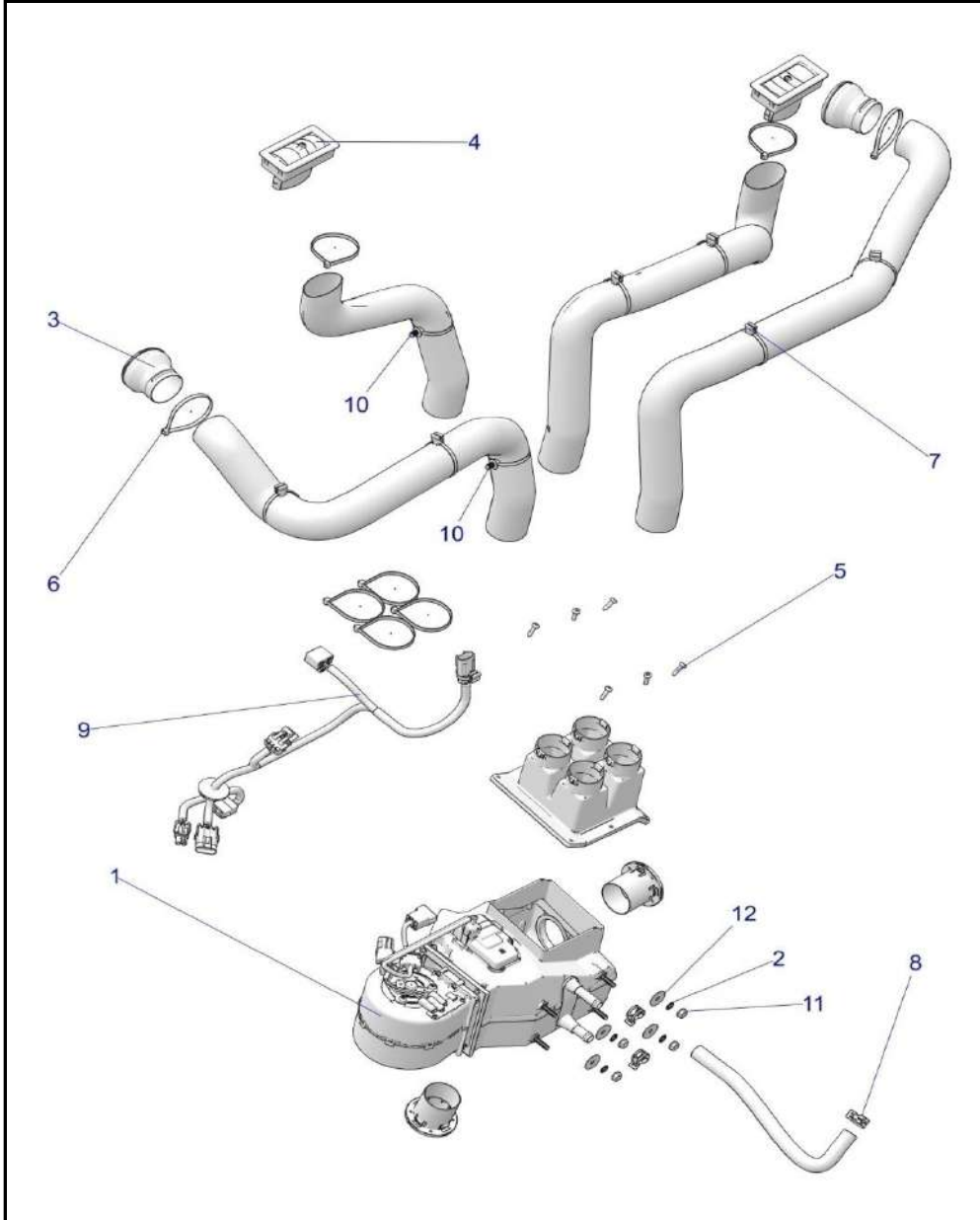
ENGINE, FUEL INJECTOR 2521795 O-RINGS

2023 RGR RANGER 570 EU ZUG TRACTOR NORDIC PRO (R02) - R23MAA57F1/SC1/C9/CK/F1/F9

POS	SAP	Part Name	Qty
1	1047458	O-RING BOSCH,EV-SE,UPPER	1
2	1047459	O-RING BOSCH,EV-SE,LOWER	1

ENGINE, HEATER, CAB

2023 RGR RANGER 570 EU ZUG TRACTOR NORDIC PRO (R02) - R23MAA57F1/SC1/C9/CK/F1/F9



POS	SAP	Part Name	Qty
1	1052685	ASM-MAIN,HEATER,RNG,MS	1
2	1052686	WASHER-1/4X1/2X.025 EXT TTH-Y	4
3	1047246	VENT-ROUND	2
4	1047247	VENT-DEFROST	2
5	1014423	SCREW-#10X3/4-HI/LO-PN-T25,TRX-M	11
6	1014060	CABLE-TIE,10-102MM,WEATH.-RES.	8
7	1052687	CLIP-EDGE,1-3MM,4-110MM	6
8	1052688	CLAMP, HOSE SPRING, 20MM	3
9	1052689	HRNS-ACCY,HEATER,MAIN	1
10	1014065	CLIP-ROUTING	2
11	1052690	NUT-1/4-20 HEX-Y	4
12	1039803	WASHER-.281X1.00X.051	4

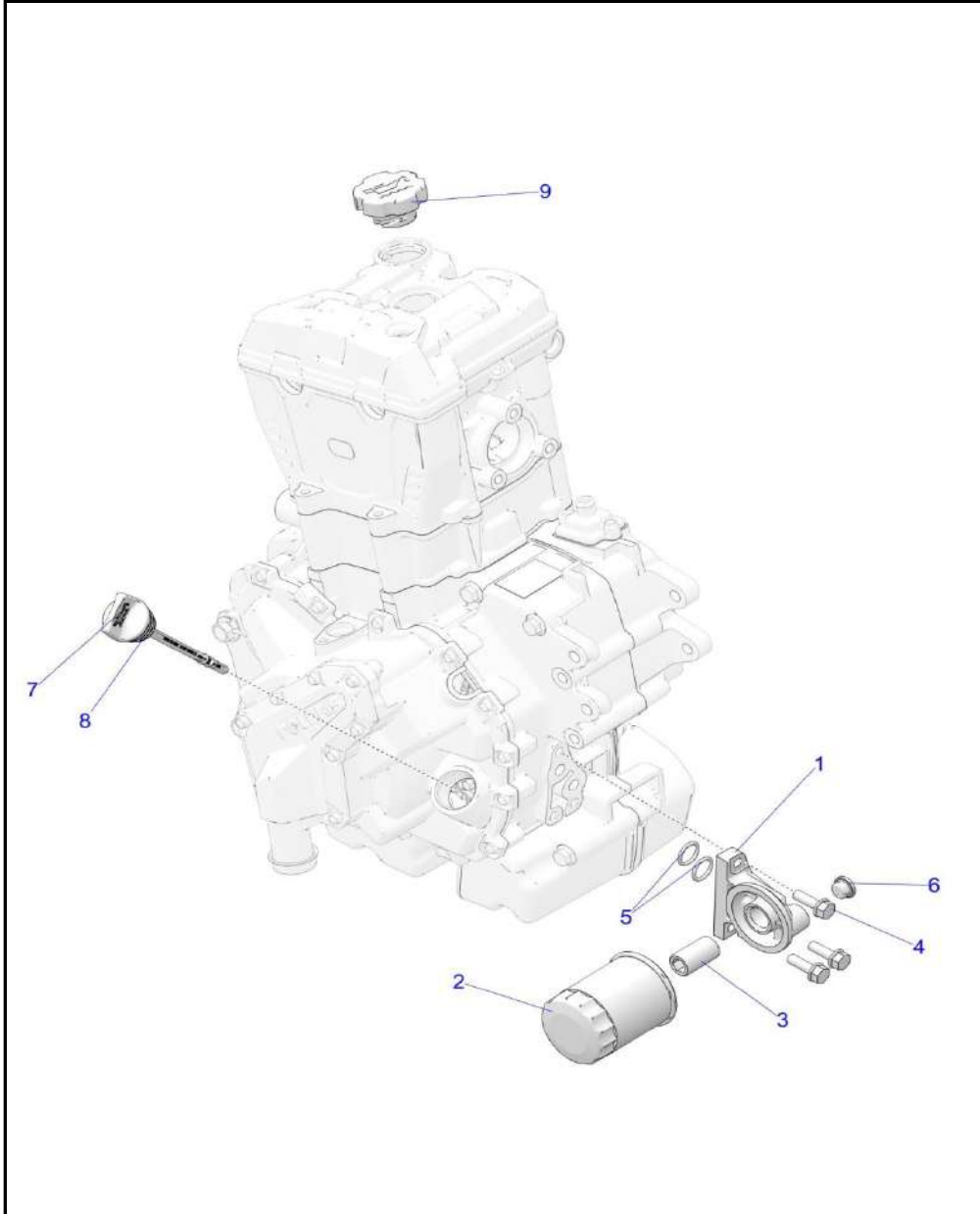
ENGINE, LONG BLOCK

2023 RGR RANGER 570 EU ZUG TRACTOR NORDIC PRO (R02) - R23MAA57F1/SC1/C9/CK/F1/F9

POS	SAP	Part Name	Qty
1	1052691	KIT, ASM. LONG BLOCK [NOTE: THE LONG BLOCK ASSEMBLY CONTAINS A CRANKCASE, BALANCE SHAFT, CYLINDER HEAD, PISTON AND CRANKSHAFT ASSEMBLIES. ALSO INCLUDES THE SEALS, SPARK PLUG, VALVE COVER AND OIL PUM	1

ENGINE, OIL FILTER and DIPSTICK

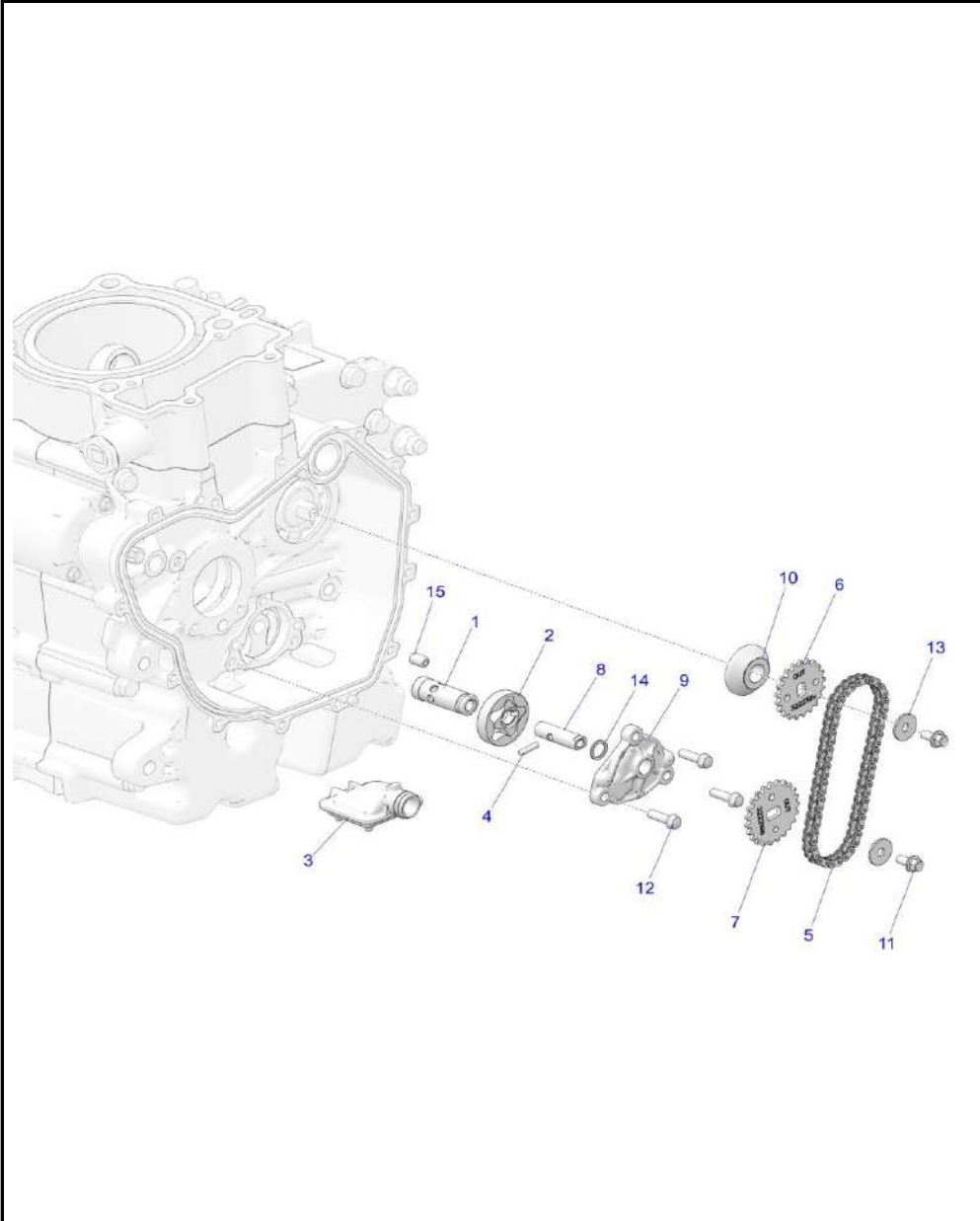
2023 RGR RANGER 570 EU ZUG TRACTOR NORDIC PRO (R02) - R23MAA57F1/SC1/C9/CK/F1/F9



POS	SAP	Part Name	Qty
1	1052692	ADAPTER-OIL FILTER,MACH	1
2	1006092	Filter, Oil, 10 Micron	1
2	1040452	FILTER-HD,OIL [HD OPTION]	1
3	1039385	ADAPTER, FILTER, STRAIGHT	1
4	1046025	SCR-M8X1.25X25-HX/FL-Y/D	3
5	1046026	O-RING-17.12X2.62,0600083	2
6	1052693	PLUG-HEX SCKT,W/O-RING,M14X1.5	1
7	1052694	DIPSTICK, OIL FILL [INCL. 8]	1
8	1046027	O-RING-26.65X2.62,0600083	1
9	1002289	ASM., CAP, OIL FILL [INCL. O-RING]	1
9	1011803	O-RING, OIL FILL CAP	1

ENGINE, OIL PUMP

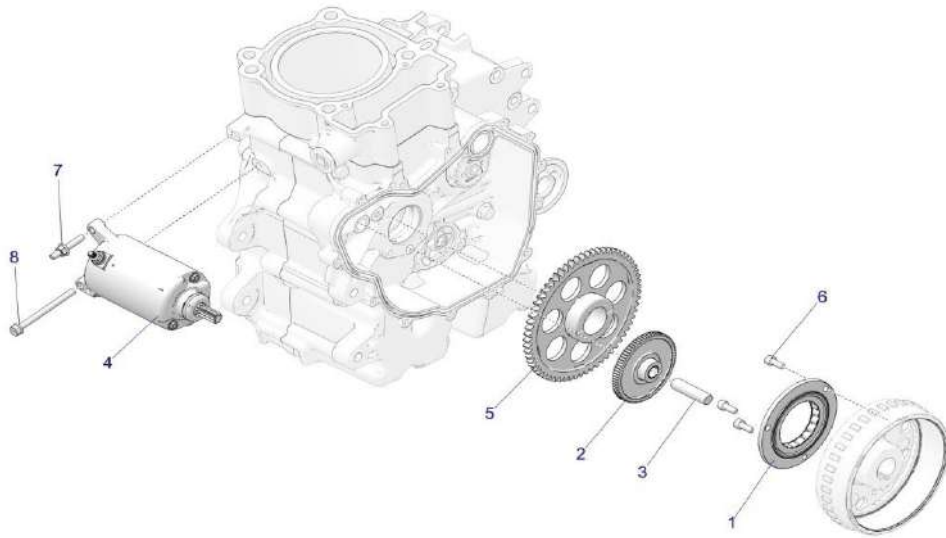
2023 RGR RANGER 570 EU ZUG TRACTOR NORDIC PRO (R02) - R23MAA57F1/SC1/C9/CK/F1/F9



POS	SAP	Part Name	Qty
1	1052695	ASM., REGULATOR VALVE	1
2	1002281	ASM., GEROTOR	1
3	1046029	ASM., OIL PICKUP	1
4	1046030	PIN-SOLID,M4X15.8	1
5	1007399	CHAIN, OIL PUMP DRIVE [TO 8/1/2022]	1
5	1052696	CHAIN, OIL PUMP DRIVE [FROM 8/1/2022]	1
6	1046031	SPROCKET, 23T, DRIVE	1
7	1046032	SPROCKET, 21T, DRIVEN	1
8	1046033	SHAFT, OIL PUMP	1
9	1046034	COVER, OIL PUMP	1
10	1046035	SPACER, SPROCKET	1
11	1039661	SCREW-HXFL-M6X1.0X12 10.9 ZPC	2
12	1039698	SCREW-HXFL-M6X1.0X20 8.8 ZY3	3
13	1046036	WASHER-6.4X20.0X1.6 01	2
14	1046037	WASHER	1
15	1046038	JET, OIL, OIL PUMP	1

ENGINE, STARTER DRIVE

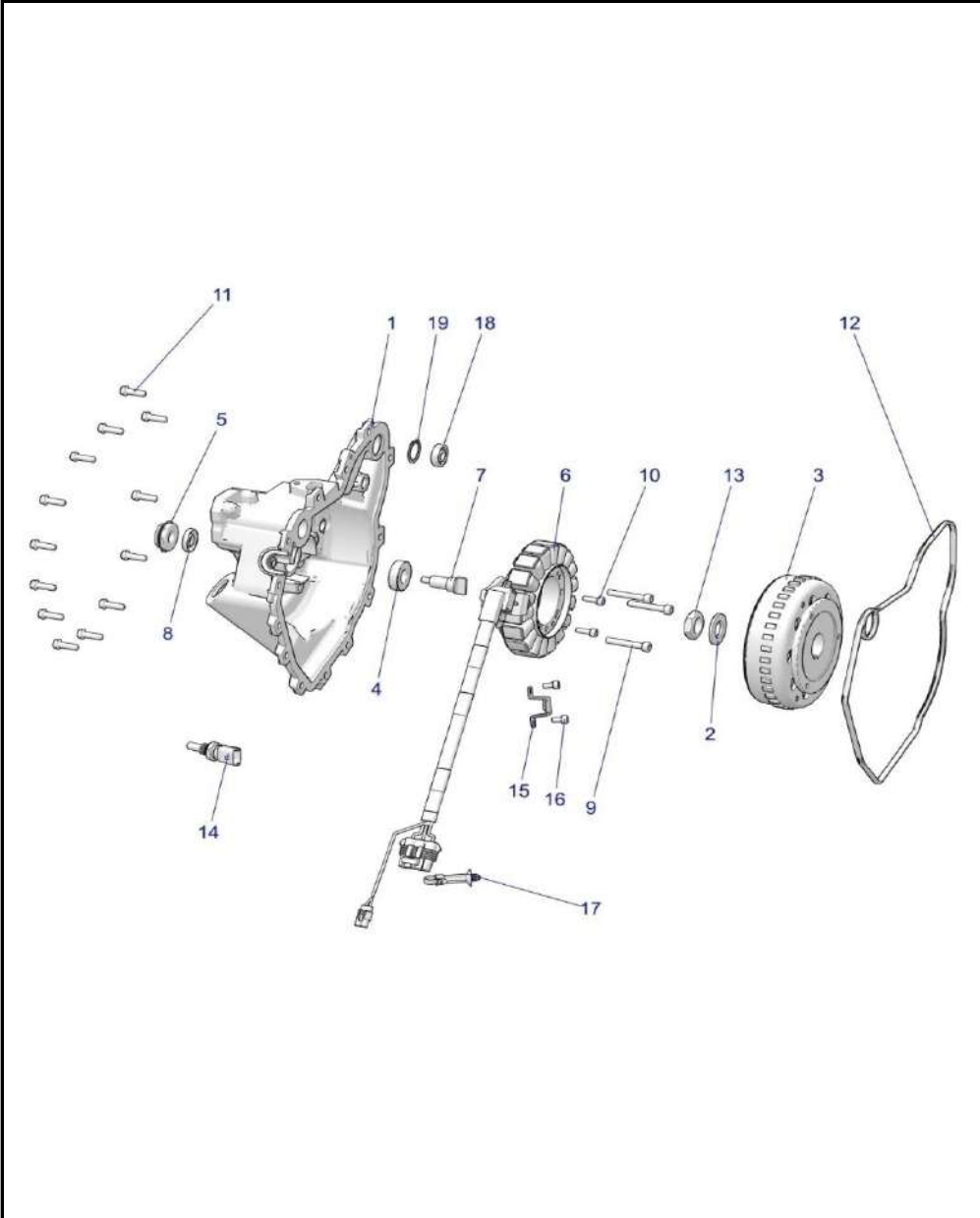
2023 RGR RANGER 570 EU ZUG TRACTOR NORDIC PRO (R02) - R23MAA57F1/SC1/C9/CK/F1/F9



POS	SAP	Part Name	Qty
1	1052697	ASM., SPRAG CLUTCH, HUB, STARTER	1
2	1002285	ASM., GEAR, STARTER	1
3	1052698	PIN-SOLID,STARTER TQ LIMITGEAR	1
4	1009590	STARTER, 1 CYLINDER	1
5	1013626	GEAR, FREEWHEEL, 1 WAY CLUTCH	1
6	1014428	SCREW-M6X1.0X14.0,HX/SOC/CP-Y/D	3
7	1039736	STUD-DOUBLE,END,M6X1.0X25/10	1
8	1052699	SCR-HXFL-M6X1.0X75 8.8	1

ENGINE, STATOR COVER and FLYWHEEL

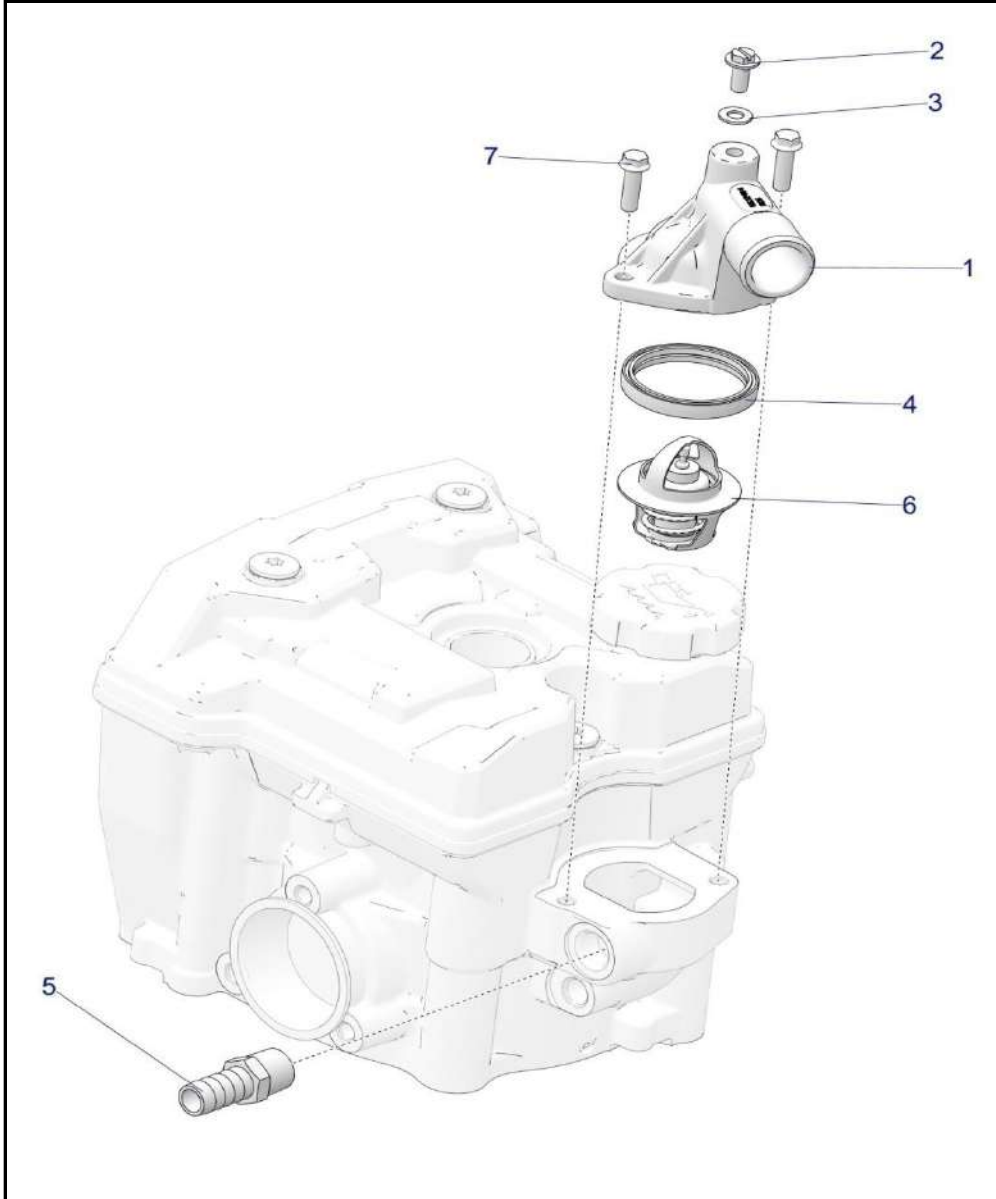
2023 RGR RANGER 570 EU ZUG TRACTOR NORDIC PRO (R02) - R23MAA57F1/SC1/C9/CK/F1/F9



POS	SAP	Part Name	Qty
	1040279	ASM., STATOR COVER W/WPUMP -560,660	1
1	1052700	COVER,IGNITION-MACH	1
2	1046045	WASHER-19X34X3, HARD	1
3	1052701	FLYWHEEL	1
4	1008443	BEARING, SHAFT, WATERPUMP [TO 01/15/2023]	1
4	1052702	BEARING-SHAFT,WATERPUMP [FROM 01/15/2023]	1
5	1008812	SEAL, WATERPUMP SHAFT, WATER	1
6	1052703	STATOR-660W W/CPS	1
7	1011196	SHAFT, PUMP DRIVE	1
8	1011764	SEAL-TYPE S,ARS 12X25X5	1
9	1039653	SCR-M6X1.0X40,HX/SOC/CP-Y/D	3
10	1052704	SCR-SH-M5X0.8X16 8.8 SPC P30	2
11	1039698	SCREW-HXFL-M6X1.0X20 8.8 ZY3	16
12	1011802	GASKET, STATOR COVER	1
13	1046044	NUT, JAM, RH	1
14	1009561	SENSOR, THERMISTER	1
15	1046043	GUIDE, STATOR LEAD	1
16	1039665	SCREW-M5X0.8X10 SOC/CP-D	2
17	1052705	TIE-CABLE,25MM STAND OFF	1
18	1039484	BEARING-BALL,9X24X7	1
19	1039819	RING-SNAP,DIN472,24X1.2MM	1

ENGINE, THERMOSTAT and COVER

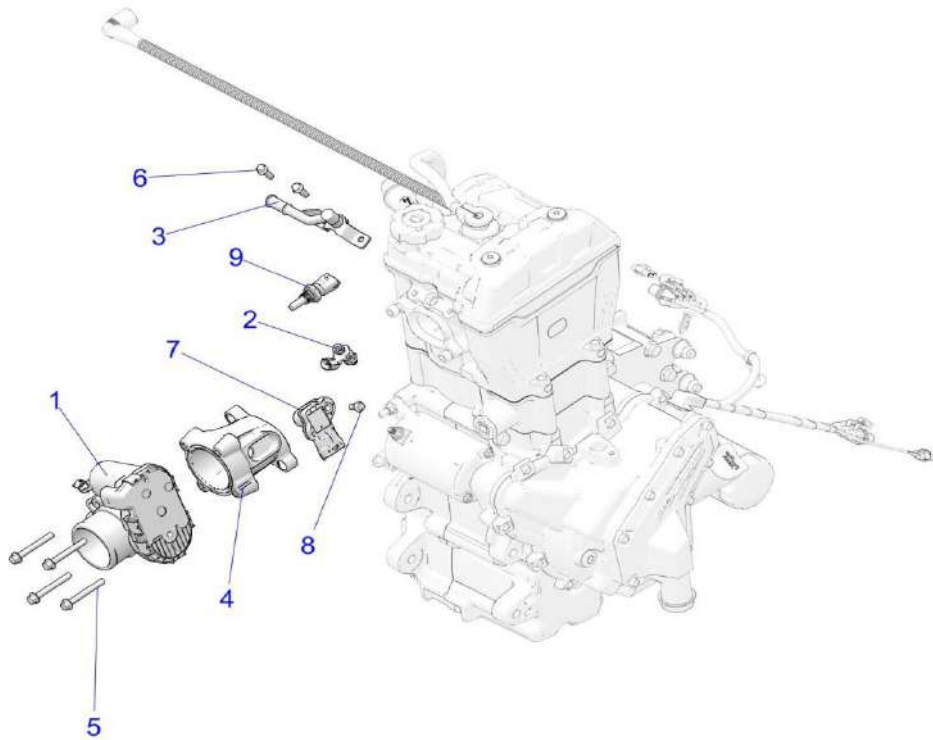
2023 RGR RANGER 570 EU ZUG TRACTOR NORDIC PRO (R02) - R23MAA57F1/SC1/C9/CK/F1/F9



POS	SAP	Part Name	Qty
1	1046046	ASM., THERMOSTAT COVER W/BLEED [INCL. SCREW,WASHER]	1
1	1052706	COVER, THERMOSTAT	1
2	1046047	SCR-M6X1.0X13,SL/HX/FL-Z,BLEED	1
3	1046048	WASHER, FLAT	1
4	1011797	SEAL, THERMOSTAT	1
5	1046049	FITTING	1
6	1014030	THERMOSTAT-44M FLANGE, 180F	1
7	1039698	SCREW-HXFL-M6X1.0X20 8.8 ZY3	2

ENGINE, THROTTLE BODY and FUEL RAIL

2023 RGR RANGER 570 EU ZUG TRACTOR NORDIC PRO (R02) - R23MAA57F1/SC1/C9/CK/F1/F9

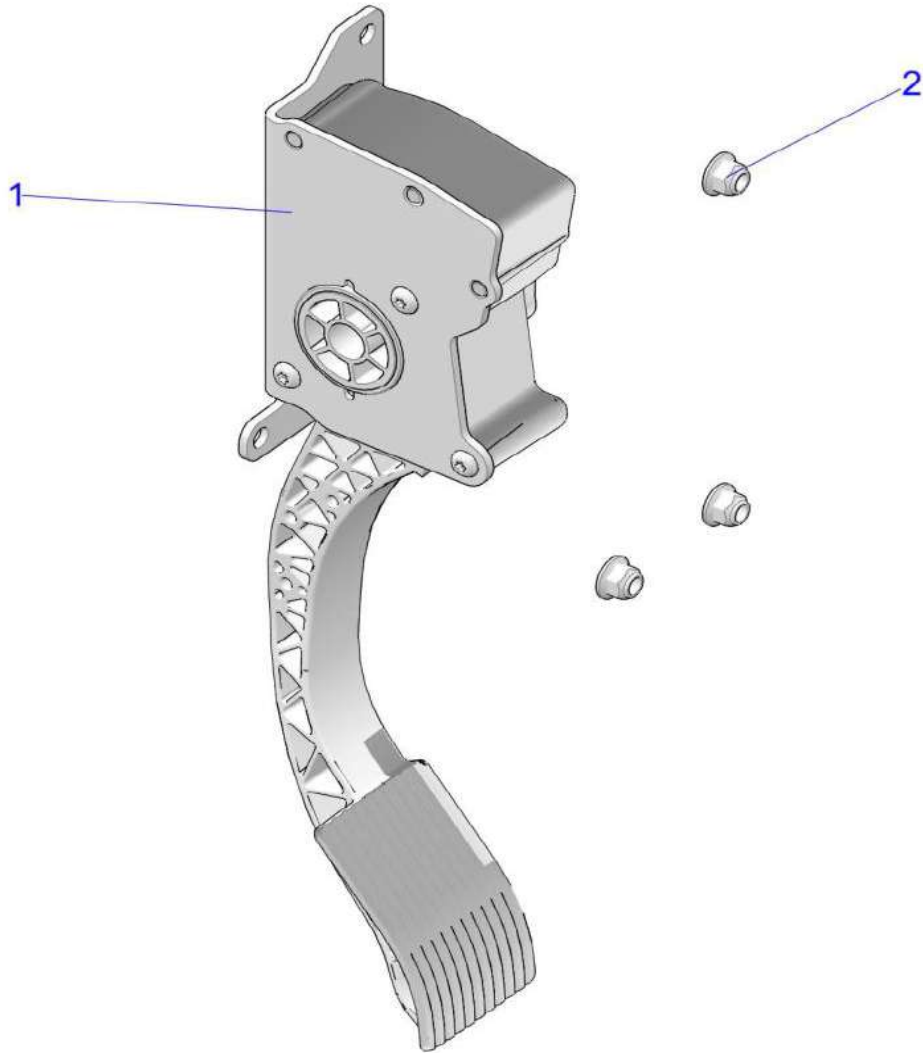


POS	SAP	Part Name	Qty
1	1002283	ASM., THROTTLE BODY	1
2	1052707	RAIL-FUEL,1CYL	1
3	1052708	INJECTOR, FUEL	1
4	1046051	ADAPTER, THROTTLE BODY, ETC	1
4	1046053	SCREW-SH-M8X1.25X25 8.8 ZPC	2
5	1014430	SCR-M6X1.0X50.0 HX/FL-Y/D	4
6	1039698	SCREW-HXFL-M6X1.0X20 8.8 ZY3	2
7	1005828	SENSOR, T-MAP, DSS3-TF	1
8	1046052	SCR-HXFL-M5X0.8X14 18-8	1
9	1009561	SENSOR, THERMISTER	1

ENGINE, THROTTLE PEDAL

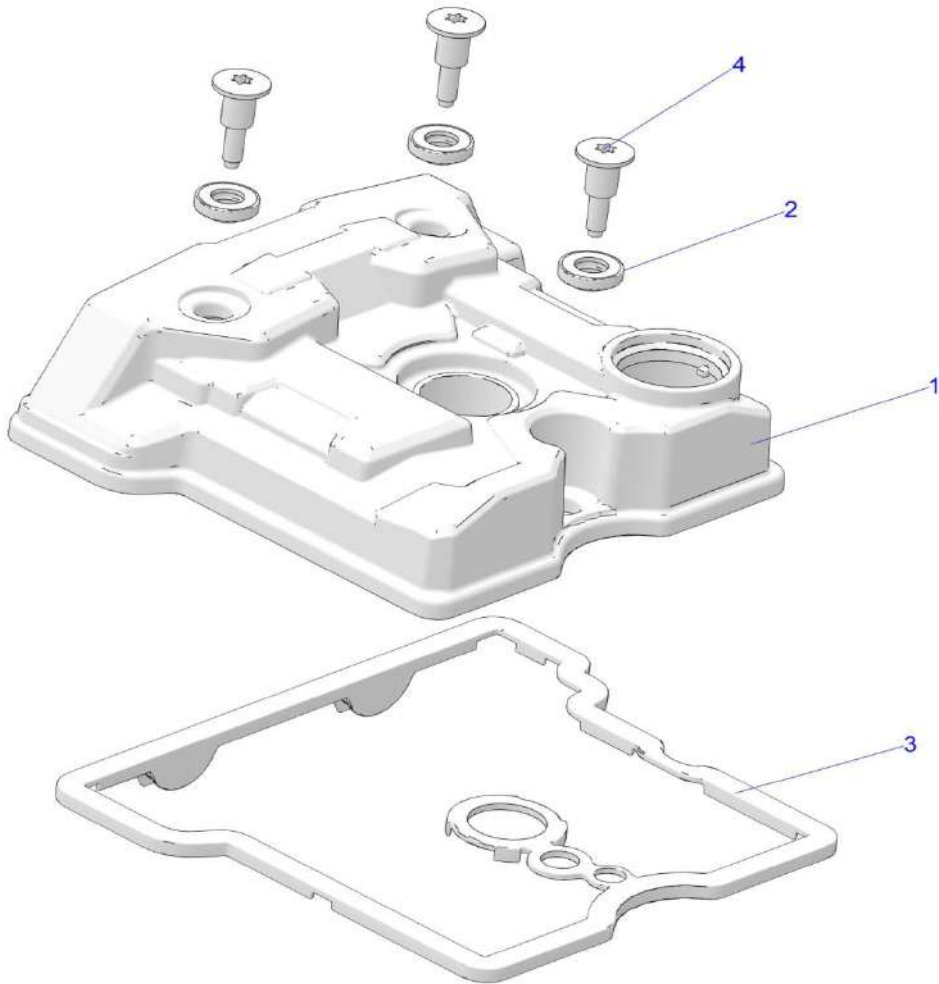
2023 RGR RANGER 570 EU ZUG TRACTOR NORDIC PRO (R02) - R23MAA57F1/SC1/C9/CK/F1/F9

POS	SAP	Part Name	Qty
1	1047561	PEDAL, ELECTRONIC THROTTLE	1
2	1039784	NUT-M6X1.0, FLG-NYLOC-OLIVE D	3



ENGINE, VALVE COVER

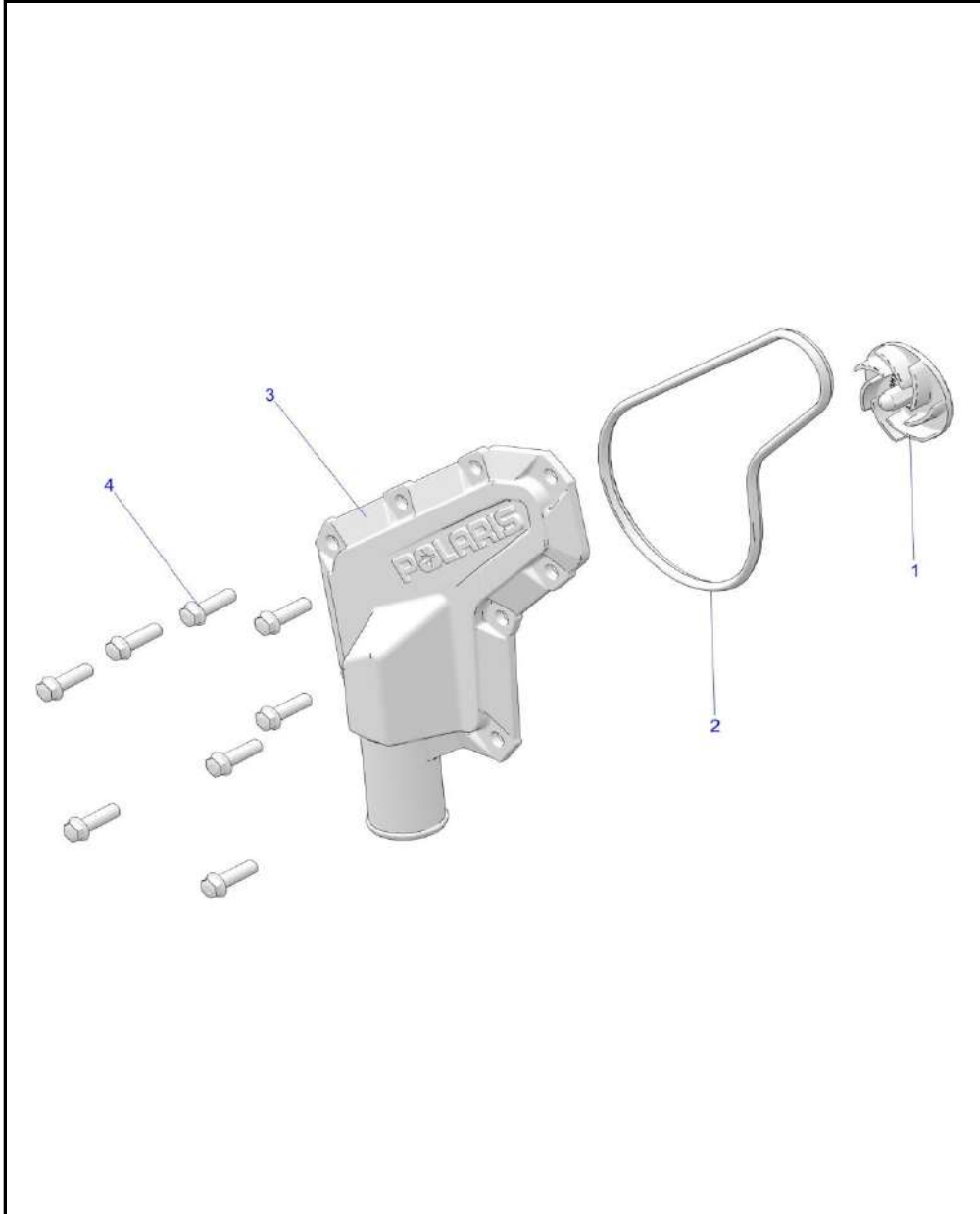
2023 RGR RANGER 570 EU ZUG TRACTOR NORDIC PRO (R02) - R23MAA57F1/SC1/C9/CK/F1/F9



POS	SAP	Part Name	Qty
1	1052709	COVER-VALVE,CAST,1CYL,DOHC	1
2	1011796	ISOLATOR, VALVE COVER	3
3	1052710	SEAL-VALVE COVER,1CYL,DOHC	1
4	1039730	SCREW-TXPH-M6X1.0X14 8.8 A2K SHB	3

ENGINE, WATERPUMP IMPELLER and COVER

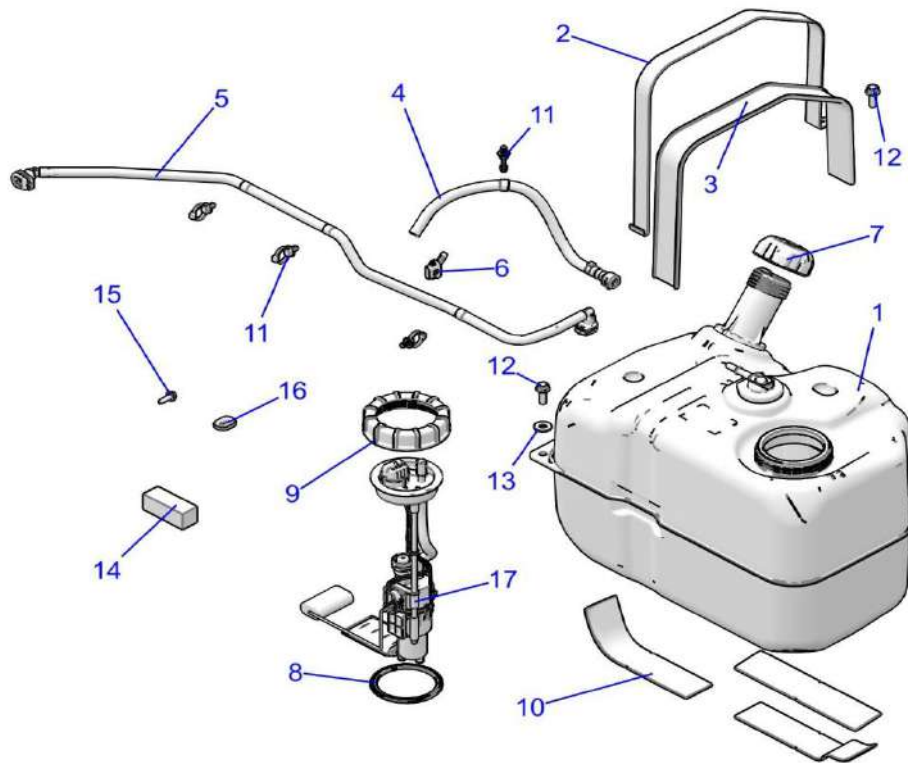
2023 RGR RANGER 570 EU ZUG TRACTOR NORDIC PRO (R02) - R23MAA57F1/SC1/C9/CK/F1/F9



POS	SAP	Part Name	Qty
1	1011206	IMPELLER, WATERPUMP	1
2	1011801	GASKET, WATERPUMP COVER	1
3	1046055	COVER, WATERPUMP	1
4	1039698	SCREW-HXFL-M6X1.0X20 8.8 ZY3	8

FUEL SYSTEM, FUEL TANK ASM.

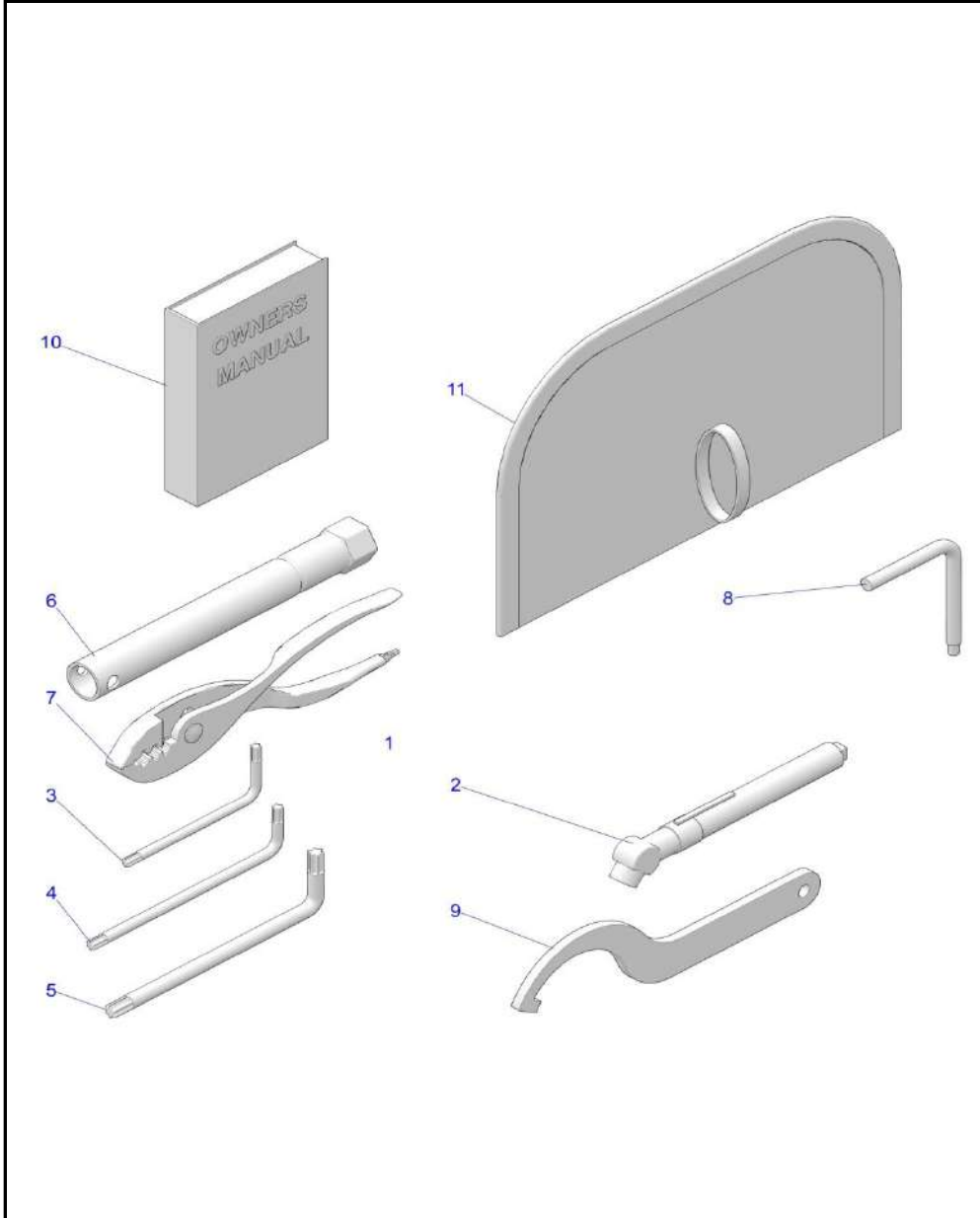
2023 RGR RANGER 570 EU ZUG TRACTOR NORDIC PRO (R02) - R23MAA57F1/SC1/C9/CK/F1/F9



POS	SAP	Part Name	Qty
1	1052711	ASM-FUEL TANK,RANGER,MS [INCL. 9,8]	1
2	1052712	BRKT-TANK,STRAP	1
3	1052713	PAD-STRAP,RUBBER	1
4	1052714	ASM-LINE,TANK TO VENT,RDO	1
5	1052715	ASM-FUEL LINE,570	1
6	1052716	FITTING-VENT LINE,45	1
7	1046595	CAP-GAS TANK,TETHER	1
8	1045311	GASKET, PFA, RIBBED	1
9	1045312	NUT, MASON JAR	1
10	1052717	PAD-TANK,MOUNT	3
11	1014065	CLIP-ROUTING	4
12	1040479	SCR-HXFL-M8X1.25X25 8.8 ZODP30	2
13	1052718	WASHER-.390X.940X.060,FL-Y	1
14	1052719	FILTER, VENT LINE	1
15	1039683	SCR-M6X1.0X20, HXHD, FLG, TDFM, BK	1
16	1052720	PLUG-GROMMET	1
17	1052721	K-FUEL PUMP	1

REFERENCES, TOOL KIT and OWNERS MANUALS

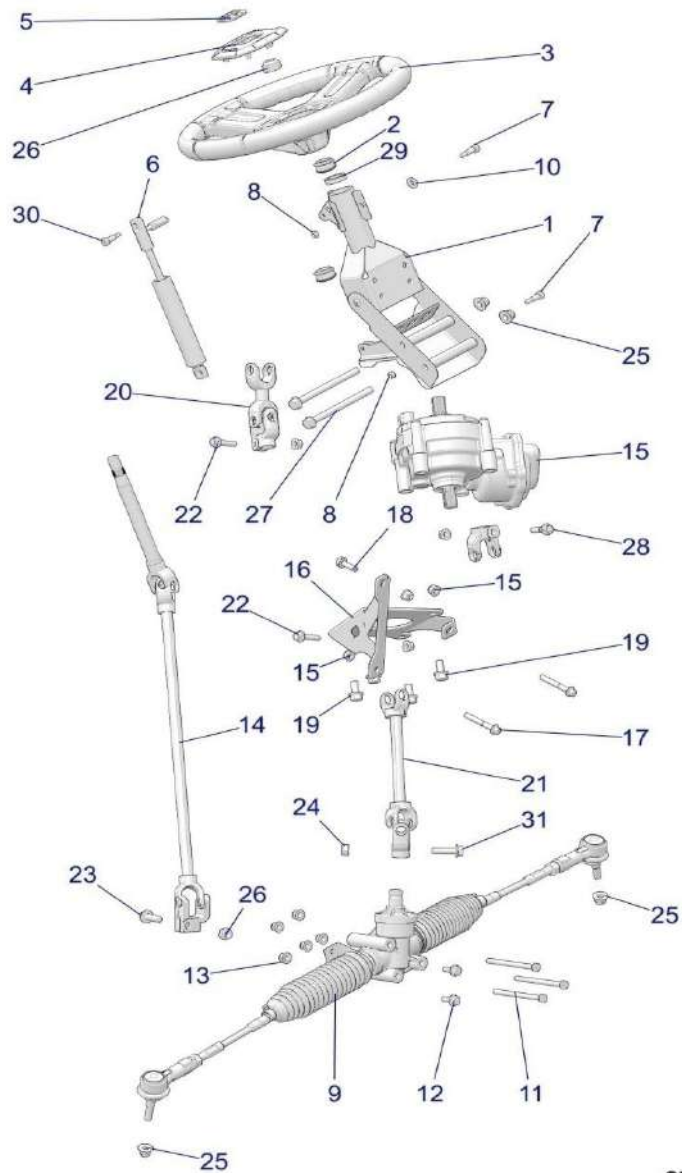
2023 RGR RANGER 570 EU ZUG TRACTOR NORDIC PRO (R02) - R23MAA57F1/SC1/C9/CK/F1/F9



POS	SAP	Part Name	Qty
1	1052722	KIT-ACCESSORY TOOL,RANGER [INCL. 3-7]	1
2	1046057	GAUGE, TIRE PRESSURE	1
3	1039400	WRENCH, TORX, T-25	1
4	1040279	Wrench, Torx, T-27	1
5	1039403	WRENCH, TORX, T-40	1
6	1040279	SOCKET, SPARK PLUG	1
7	1039401	PLIERS, COMBO, #2 ASSEMBLY	1
8	1046975	TOOL, BELT REMOVAL	1
9	1046058	WRENCH, SPANNER, CAM, E-COAT	1
10	1052723	MAN-OWN,23 RNG 570 GER [S57F1][F9]	1
10	1052724	MAN-OWN,23 RNG 570 TR [A57F1][C9][CK][C1]	1
10	1052725	MANUAL-WINCH GUIDE [CK]	1
11	1039394	POUCH, TOOL KIT, 9 INCH	1

STEERING, STEERING ASM.

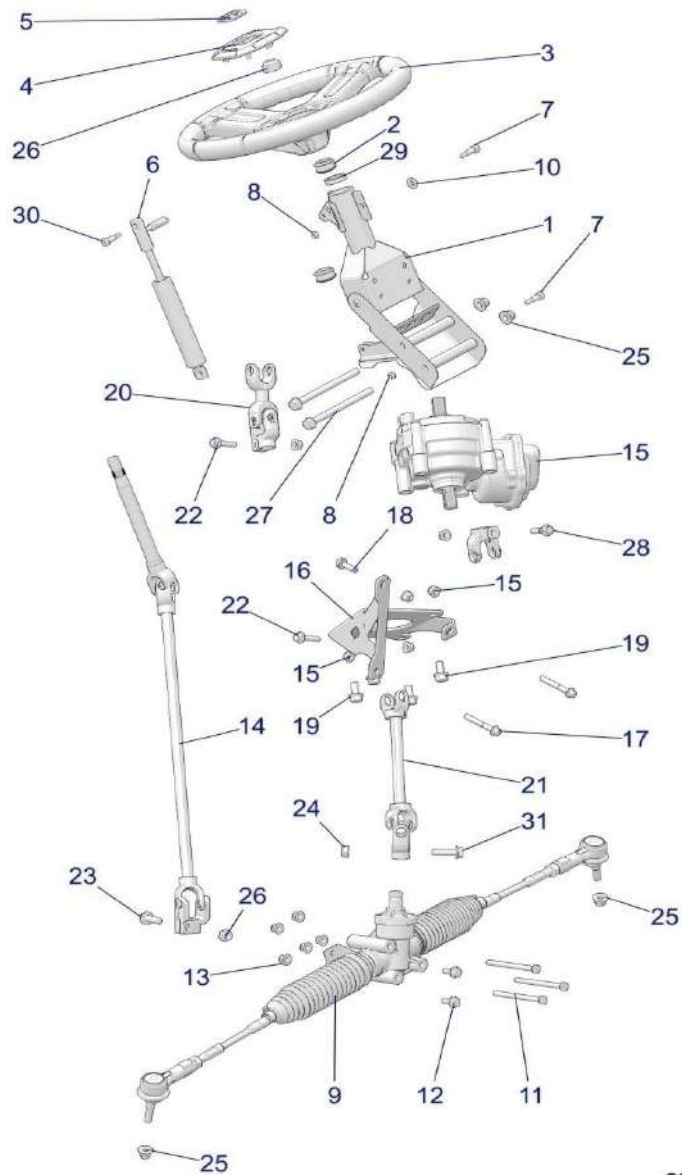
2023 RGR RANGER 570 EU ZUG TRACTOR NORDIC PRO (R02) - R23MAA57F1/SC1/C9/CK/F1/F9



POS	SAP	Part Name	Qty
1	1052726	ASM-TILT,STEERING,RVTD,M10,BLK [INCL. 29]	1
2	1014528	BUSHING-STEERING	2
3	1052727	WHEEL, STEERING	1
4	1052728	CAP-STEERING WHEEL [A57F1]	1
4	1052729	CAP-STEERING WHEEL,PREM [C9][CK][S57F1][F9][C1]	1
5	1052730	BADGE-POLARIS STAR SM [C9][CK][S57F1][F9][C1]	1
6	1014013	ASM-SHOCK,OIL LOCKING,SHORT	1
7	1045748	SCREW-M6X25,ISO7379	1
8	1039773	NUT-6MM X 1 NYLOK-Z	2
9	1052731	ASM-GEARBOX,STEERING	1
10	1045747	WASHER 8.4X16.7	1
11	1052732	SCR-HXFL-M8X1.25X95 10.9 ZFB	3
12	1045866	SCR-HXFL-M8X1.25X20 8.8 ZY3	2
13	1014499	NUT- M8X1.25, FLG, NYLOC-OLIVE D	5
14	1052733	SHAFT, STEERING, UPPER/LOWER [NON EPS][A57F1]	1
15	1052734	ASM-POWER STEERING,2.5T,250K [EPS][C9][CK][S57F1][F9][C1]	1
16	1052735	BRACKET, POWER STEERING, BLACK [EPS][C9][CK][S57F1][F9][C1]	1
17	1040247	SCR-M8X1.25X55,HX/FL-Y [EPS][C9][CK][S57F1][F9][C1]	2
18	1040235	BOLT-M8X1.25X25,HXFLG-OLIVE D [EPS][C9][CK][S57F1][F9][C1]	1
19	1039690	BOLT-M10X1.25X20,HXFLG-OLV D [EPS][C9][CK][S57F1][F9][C1]	4
20	1052736	SHAFT, STEERING, UPPER/LOWER [EPS][C9][CK][S57F1][F9][C1]	1
21	1052737	SHAFT-STEERING,LWR,W/JNT,EPAS [EPS][C9][CK][S57F1][F9][C1]	1
22	1052738	SCR-HXFL-M8X1.25X40 10.9 ZFB [EPS][C9][CK][S57F1][F9][C1]	1
23	1039702	SCR-HXFL-M10X1.5X35 8.8 ZPC [EPS][C9][CK][S57F1][F9][C1]	1

STEERING, STEERING ASM.

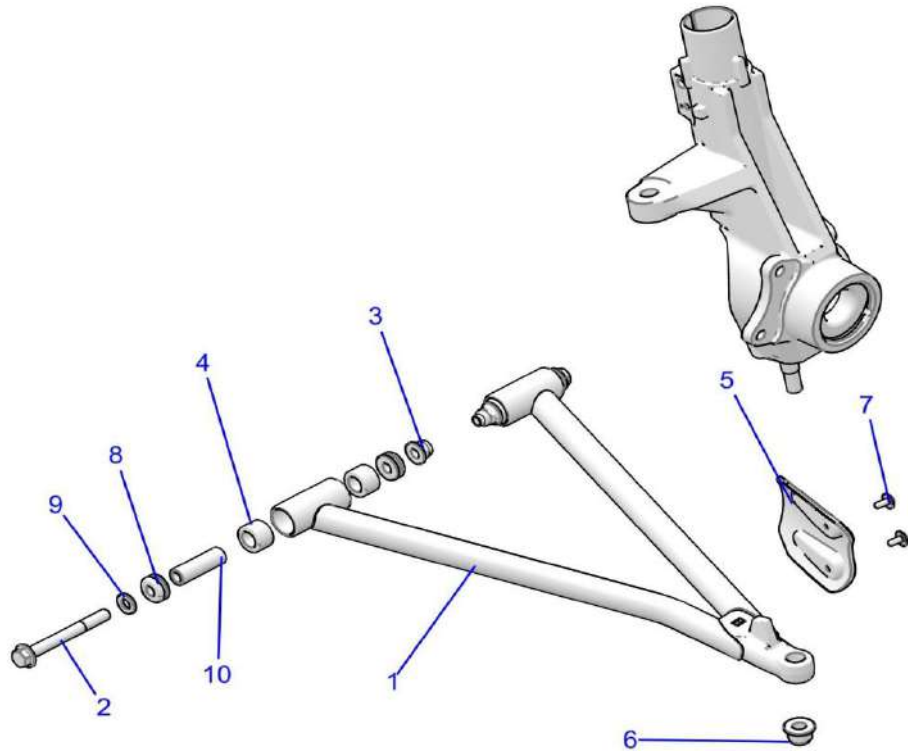
2023 RGR RANGER 570 EU ZUG TRACTOR NORDIC PRO (R02) - R23MAA57F1/SC1/C9/CK/F1/F9



POS	SAP	Part Name	Qty
24	1039786	NUT-NY INS,M10X1.5,HEX,ZINC,YW	1
25	1014500	NUT-M10X1.25, FLG, NYLOC-OLIVE D	4
26	1039791	NUT-HEX-M16X2, 8 ZC NYL	1
27	1039703	BOLT-M10X1.25X130,HXFLG-OLIVED	2
28	1039716	SCR-HXFL-M8X1.25X35 8.8 ZODv	1
29	1040467	BEARING, STEERING	2
30	1039761	SCR-SH-M6X1.0X11 12.9 ZB SHB	1
31	1045322	SCR-HXFL-M10X1.5X40 10.9 ZPC	1

SUSPENSION, A-ARM and STRUT MOUNTING

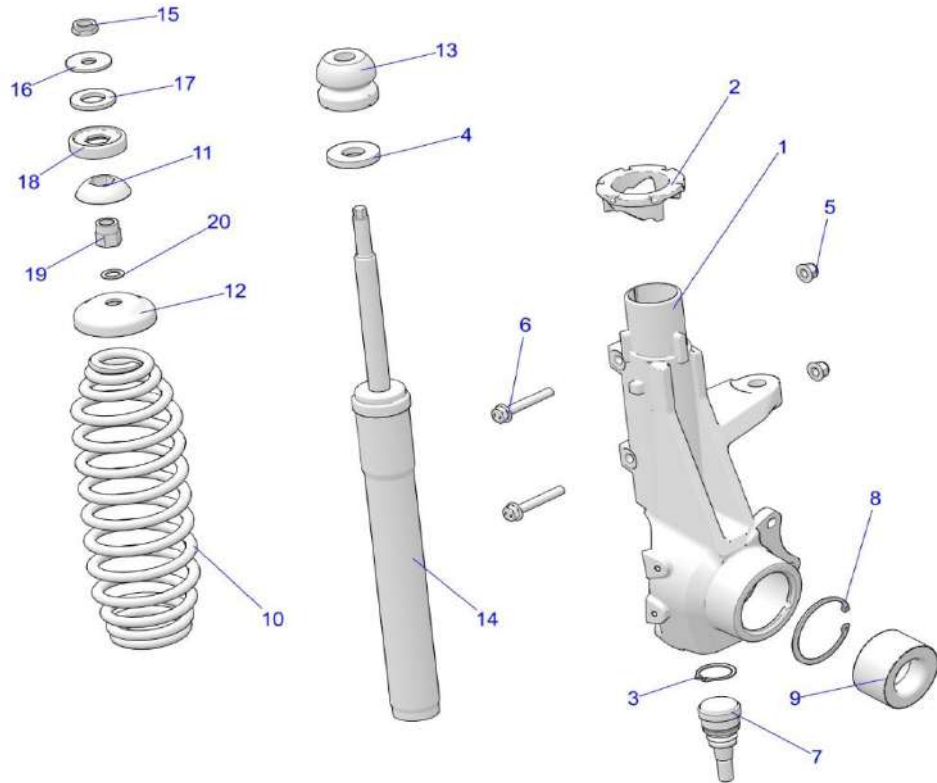
2023 RGR RANGER 570 EU ZUG TRACTOR NORDIC PRO (R02) - R23MAA57F1/SC1/C9/CK/F1/F9



POS	SAP	Part Name	Qty
	1040279	ASM., HUBSTRUT [SEE SUSPENSION, FRONT STRUT PAGE, REF. 21]	1
1	1052739	WELD-A-FRAME,LH,M.BLK	1
1	1052740	WELD-A-FRAME,RH,M.BLK	1
2	1014442	SCR-HXFL-M10X1.25X95 10.9 ZOD	4
3	1014500	NUT-M10X1.25, FLG, NYLOC-OLIVE D	4
4	1011925	BUSHING-STANDARD, SUSP, M10	8
4	1046080	ASM., BUSHING, HD, W/SEAL, 5.23 FLG (HEAVY DUTY) [OPTIONAL]	8
5	1052741	SHIELD-CV,FRONT	2
6	1014501	NUT-M12X1.5, FLG, NYLOC-OLIVE D	2
7	1052742	SCR-HXFL-M5X0.8X12 4.8 ZPC	4
8	1003526	ASM-PIVOT CAP, SEALED, M10 [INCL. CAP & O-RING]	8
8	1052775	CAP-PIVOT SEAL,M10	8
9	1052744	WSHR-FLAT-M10X2.0 ZTB	4
10	1011216	SHAFT-PIVOT,SHORT,M10	4

SUSPENSION, FRONT STRUT

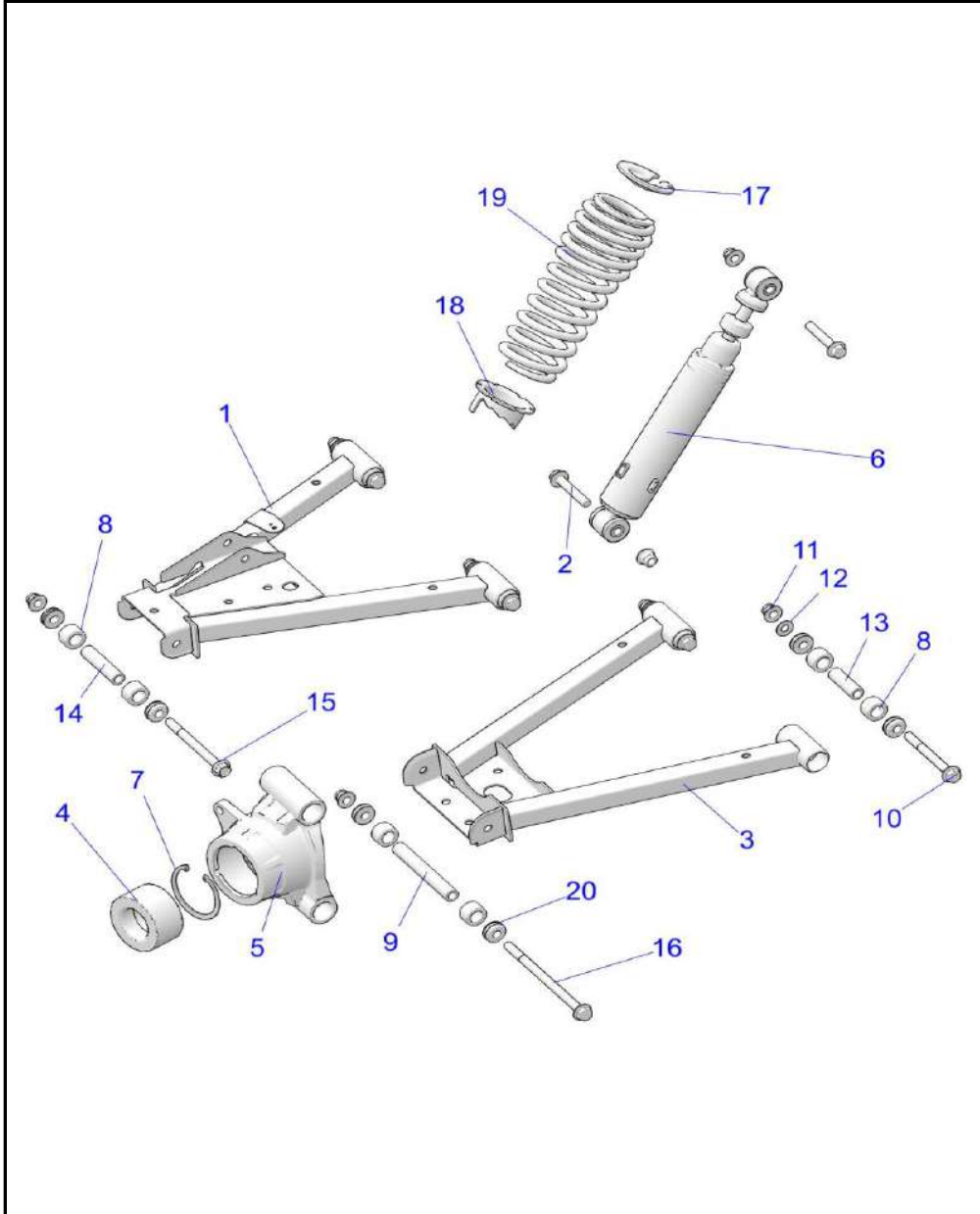
2023 RGR RANGER 570 EU ZUG TRACTOR NORDIC PRO (R02) - R23MAA57F1/SC1/C9/CK/F1/F9



POS	SAP	Part Name	Qty
1	1052745	ASM-HUBSTRUT,LH [INCL. 1,3,7,8,9]	1
1	1052746	SUPPORT-HUBSTRUT,LH	1
1	1052747	ASM-HUBSTRUT,RH [INCL. 1,3,7,8,9]	1
1	1052748	SUPPORT-HUBSTRUT,RH	1
2	1052749	RETAINER-SPRING,ALUMN	2
3	1014623	RING-RETAINER,EXTERNAL,1.188	2
4	1052750	SPACER-STRUT	2
5	1014499	NUT- M8X1.25, FLG, NYLOC-OLIVE D	4
6	1052751	SCR-HXFL-M8X1.25X55 10.9 ZFB	4
7	1014088	BALL-JOINT,M12X1.50,TAPERED	2
8	1052752	RING-RETAINING,2.500 INTERNAL	2
9	1052753	BEARING-WHEEL,35X64X37MM (HEAVY DUTY)	2
10	1052754	SPRING-FRONT,M.BLK [A57F1][C9][S57F1][F9][C1]	2
10	1052755	SPRING-FRONT, V.B [CK]	2
11	1052756	Ball, Pivot, Bottom	2
12	1052757	RETAINER-SPRING,UPPER	2
13	1052758	BUMPER	2
14	1052759	STRUT, FRONT	2
15	1052760	Nut, Nylok, Thin	2
16	1052761	WSHR-.500X1.50-12GA-Y	2
17	1052762	SPACER, RUBBER	2
18	1052763	BALL, PIVOT, TOP	2
19	1052764	SPACER-1/2-20,STRUT	2
20	1052765	SHIM-RETAINER,SHOCK	2

SUSPENSION, REAR

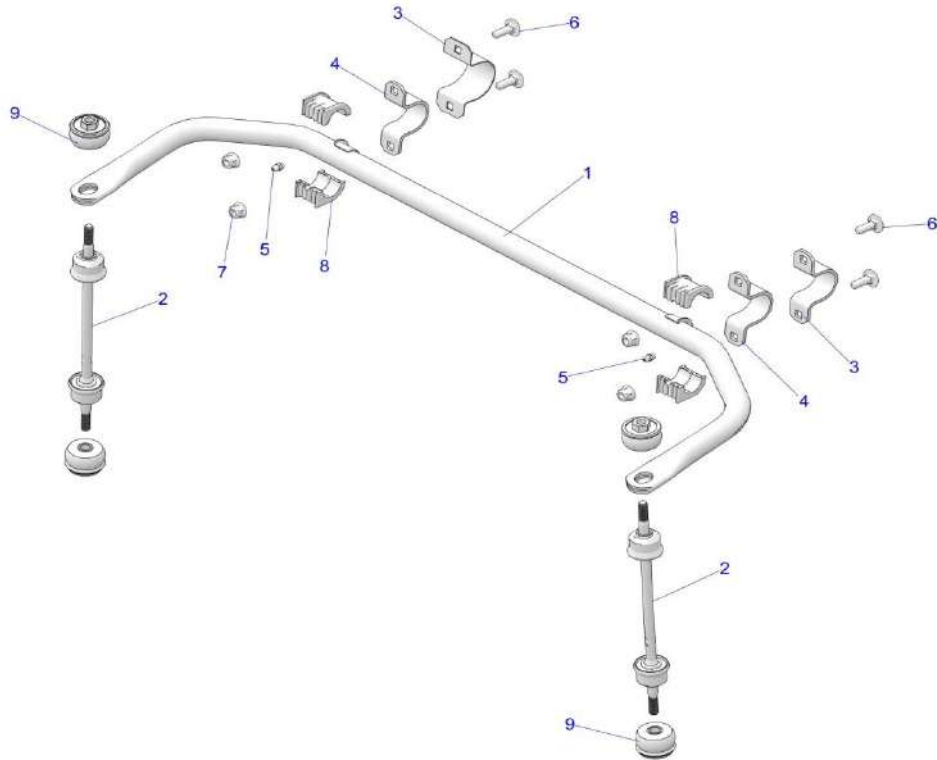
2023 RGR RANGER 570 EU ZUG TRACTOR NORDIC PRO (R02) - R23MAA57F1/SC1/C9/CK/F1/F9



POS	SAP	Part Name	Qty
1	1052766	WELD-CONTROL ARM,UPPER,LH,M.BK	1
1	1052767	WELD-CONTROL ARM,UPPER,RH,M.BK	1
2	1039694	SCR-HXFL-M10X1.25X60 8.8 ZOD	4
3	1052768	WELD-CONTROL ARM,LWR,M.BK	2
4	1008440	BEARING-WHEEL,40X74X40MM [OPTIONAL]	2
4	1008459	BEARING-WHEEL,40X74X40MM (HEAVY DUTY)	2
5	1052769	CARRIER-BEARING,WHEEL,LH(MACH)	1
5	1052770	CARRIER-BEARING,WHEEL,RH(MACH)	1
6	1052771	SHOCK-REAR	2
7	1014620	RING-RETAINING,2.875,INTERNAL	2
8	1011925	BUSHING-STANDARD, SUSP, M10	24
8	1046080	ASM., BUSHING, HD, W/SEAL, 5.23 FLG (HEAVY DUTY) [OPTIONAL]	16
9	1052772	SHAFT-PIVOT, LONG, M10	2
10	1014442	SCR-HXFL-M10X1.25X95 10.9 ZOD	8
11	1014500	NUT-M10X1.25, FLG, NYLOC-OLIVE D	16
12	1014520	WASHER-3/8 FW SAE STL THRU-HRD	8
13	1011216	SHAFT-PIVOT, SHORT, M10	8
14	1011218	SHAFT-PIVOT, SHORT, M10	2
15	1014458	SCR-HXFL-M10X1.25X115 10.9 ZOD	2
16	1046081	SCR-HXFL-M10X1.25X165 10.9 ZOD	2
17	1038646	RETAINER, SPRING, STEEL	2
18	1038647	CAM, ADJUSTING, SPRING, STEEL	2
19	1052773	SPRING-REAR, MATTE BLK [A57F1][C9][S57F1][F9][C1]	2
19	1052774	SPRING-REAR, V.B [CK]	2
20	1052775	CAP-PIVOT SEAL, M10	24
20	1052776	O-RING, 2-210	24

SUSPENSION, STABILIZER BAR

2023 RGR RANGER 570 EU ZUG TRACTOR NORDIC PRO (R02) - R23MAA57F1/SC1/C9/CK/F1/F9



POS	SAP	Part Name	Qty
1	1052777	TUBE, STABILIZER, REAR, MATTE BLACK	1
2	1052778	ASM., LINKAGE, STABILIZER BAR	2
3	1047544	SHIELD-BUSHING,SWAY BAR	1
4	1040840	BRKT-BUSHING	2
5	1014056	FITTING-LUB, 1/4-28-STR/1792-Y	2
6	1014486	SCR-RHCAR-M8X1.25X25 10.9 ZB3	4
7	1014499	NUT- M8X1.25, FLG, NYLOC-OLIVE D	4
8	1011865	Bushing, Upper, Steering Post	4
9	1011813	BUSHING, LINKAGE, TORSION BAR	4

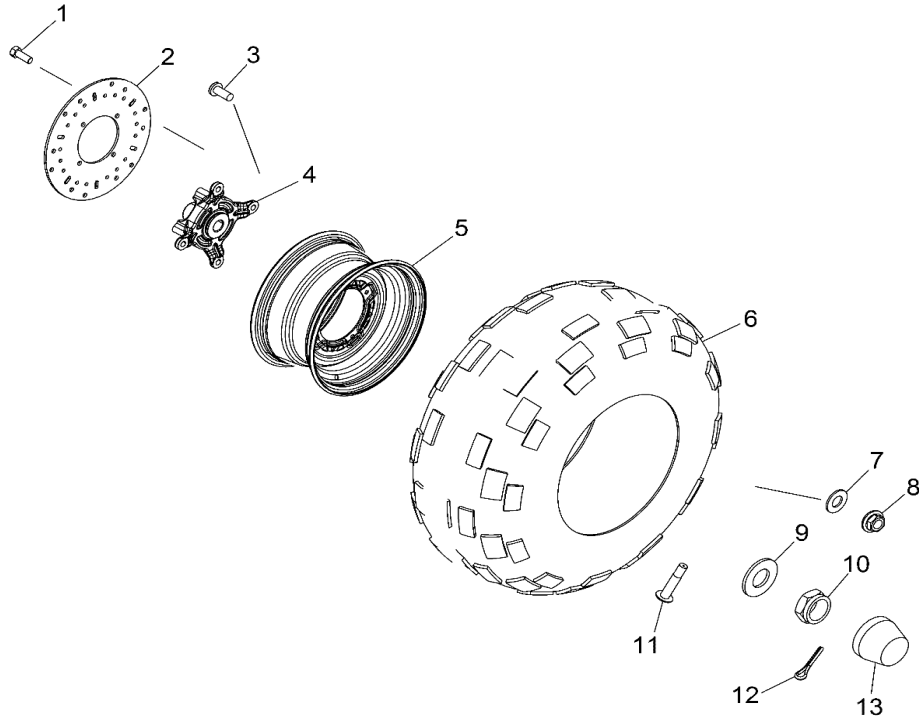
WHEELS, FRONT, PREMIUM

2023 RGR RANGER 570 EU ZUG TRACTOR NORDIC PRO (R02) - R23MAA57F1/SC1/C9/CK/F1/F9

POS	SAP	Part Name	Qty
1	1046073	SCR-HH-5/16-18X0.75 GR5 ZY3 NY	8
2	1044304	DISC, BRAKE, FRONT	2
3	1014433	STUD-3/8-24X1.38,PRESS FIT-Z	8
4	1052784	HUB-WHEEL,AWD,MACH	2
5	1052780	RIM-FRONT,12X6,CAST,26.2,BLK	2
6	1052786	TIRE-25X8-12,489,E-MARK	2
7	1052782	CAP-RIM,FRONT,BLK	2
8	1014498	NUT-3/8-24-WHEEL	8
9	1014515	WASHER-CONE.755X1.5X.072-.107P	8
10	1052787	NUT-CASTLE,M18X1.5X13	2
11	1039363	VALVE, RIM	2
12	1014587	PIN-COTTER 1/8X1 1/2-Y	2

WHEELS, FRONT, STEEL

2023 RGR RANGER 570 EU ZUG TRACTOR NORDIC PRO (R02) - R23MAA57F1/SC1/C9/CK/F1/F9



POS	SAP	Part Name	Qty
1	1046073	SCR-HH-5/16-18X0.75 GR5 ZY3 NY	8
2	1044304	DISC, BRAKE, FRONT	2
3	1014433	STUD-3/8-24X1.38,PRESS FIT-Z	8
4	1052784	HUB-WHEEL,AWD,MACH	1
5	1052785	WELD-RIM,FRT600LB,12X6	2
6	1052786	TIRE-25X8-12,489,E-MARK	2
7	1014523	WASHER-.385X.88X.075,FL-Y THR	8
8	1014496	NUT-3/8-24-FLG LOCK-Z	8
9	1014515	WASHER-CONE.755X1.5X.072-.107P	8
10	1052787	NUT-CASTLE,M18X1.5X13	2
11	1003489	VALVE, RIM	2
12	1014587	PIN-COTTER 1/8X1 1/2-Y	2
13	1011798	COVER, DUST, HUB	2

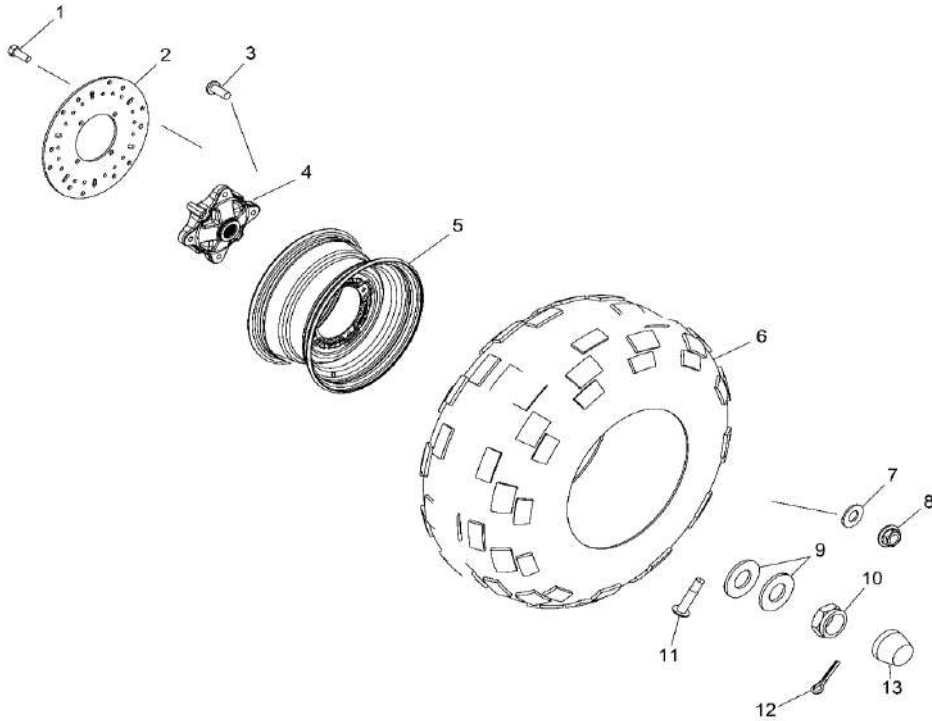
WHEELS, REAR, PREMIUM

2023 RGR RANGER 570 EU ZUG TRACTOR NORDIC PRO (R02) - R23MAA57F1/SC1/C9/CK/F1/F9

POS	SAP	Part Name	Qty
1	1052793	SCR-HH-3/8-16X0.75 GR5 ZY3	8
2	1011478	DISC-BRAKE,REAR,8.625X.188	2
3	1014433	STUD-3/8-24X1.38,PRESS FIT-Z	8
4	1052794	HUB, WHEEL, REAR, BLACK	2
5	1052790	RIM-REAR,12X8,CAST,40MM OFST,B	2
6	1052796	TIRE, REAR, 25X11-12	2
7	1052792	CAP-RIM,BLK	2
8	1014498	NUT-3/8-24-WHEEL	8
9	1014515	WASHER-CONE.755X1.5X.072-.107P	8
10	1014502	NUT-M18X1.5,CASTLE,ZINC/YELLOW	2
11	1039363	VALVE, RIM	2
12	1014587	PIN-COTTER 1/8X1 1/2-Y	2

WHEELS, REAR, STEEL

2023 RGR RANGER 570 EU ZUG TRACTOR NORDIC PRO (R02) - R23MAA57F1/SC1/C9/CK/F1/F9



POS	SAP	Part Name	Qty
1	1052793	SCR-HH-3/8-16X0.75 GR5 ZY3	8
2	1011478	DISC-BRAKE,REAR,8.625X.188	2
3	1014433	STUD-3/8-24X1.38,PRESS FIT-Z	8
4	1052794	HUB, WHEEL, REAR, BLACK	2
5	1052795	WELD-RIM,REAR 900LB,12X8 BLK	1
6	1052796	TIRE, REAR, 25X11-12	2
7	1014523	WASHER-.385X.88X.075,FL-Y THR	8
8	1014496	NUT-3/8-24-FLG LOCK-Z	8
9	1014515	WASHER-CONE.755X1.5X.072-.107P	6
10	1014502	NUT-M18X1.5,CASTLE,ZINC/YELLOW	2
11	1003489	VALVE, RIM	2
12	1014587	PIN-COTTER 1/8X1 1/2-Y	2
13	1011798	COVER, DUST, HUB	2

Accessories



Poly 2-Seat Sport Roof, Black | Part # 2885077