

POLARIS

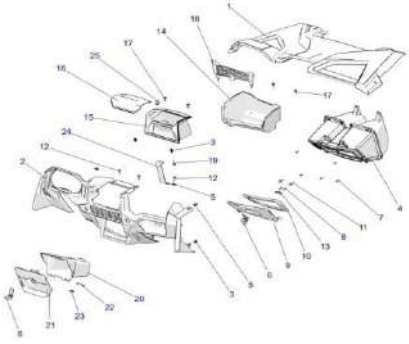
RZR

Parts Catalogue

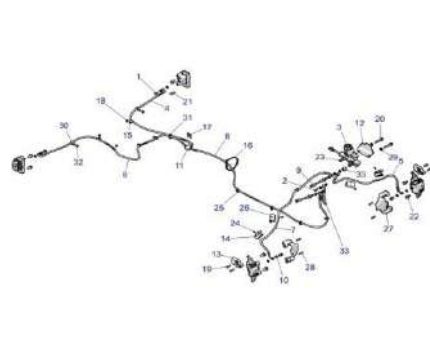


2023 RZR TRAIL S 1000 EPS EU/TRACTOR INTL (R02) - Z23ASE99F4/S99C4/F4

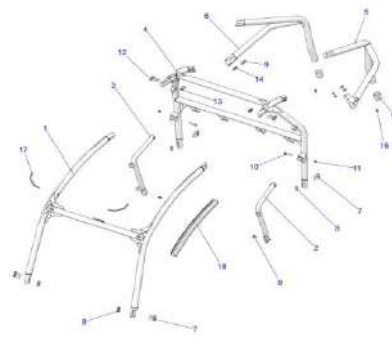
1 - BODY



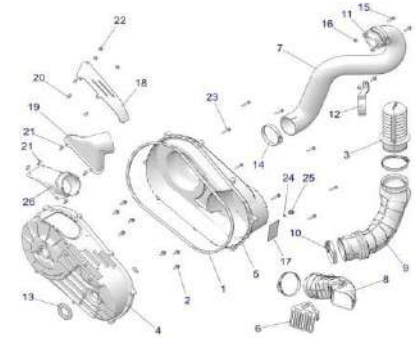
2 - BRAKES



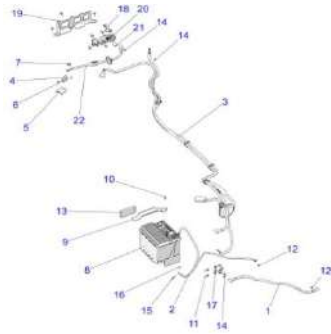
3 - CHASSIS



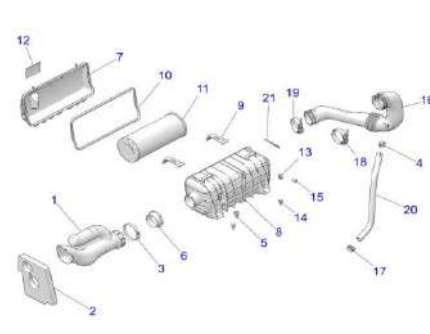
4 - DRIVE TRAIN



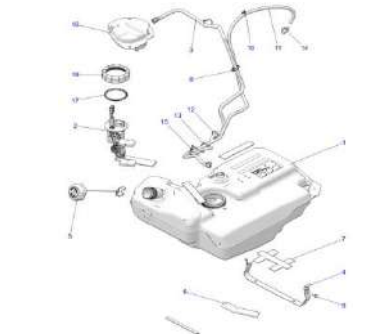
5 - ELECTRICAL



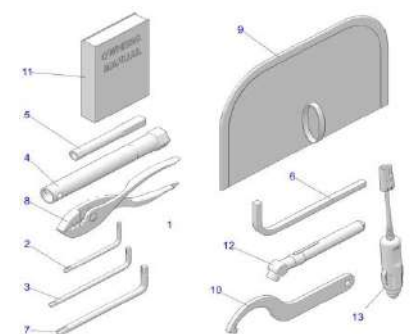
6 - ENGINE



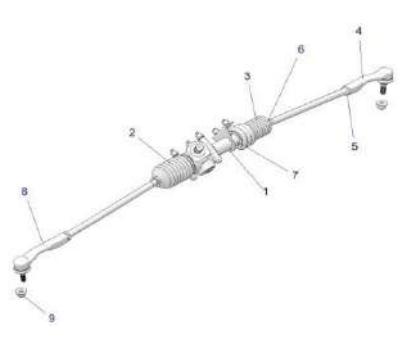
7 - FUEL SYSTEM



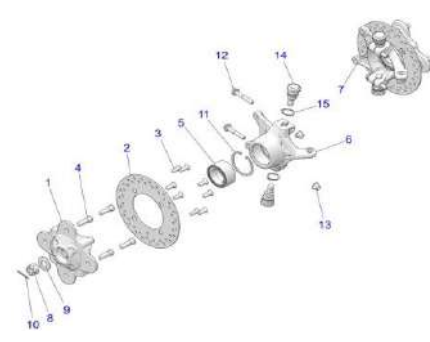
8 - OWNERS MANUAL



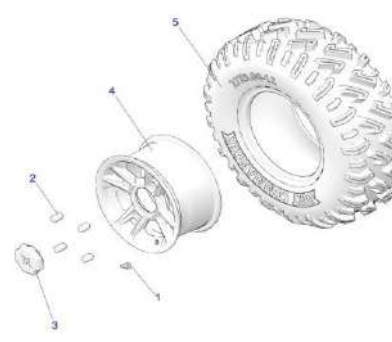
9 - STEERING



10 - SUSPENSION



11 - WHEELS

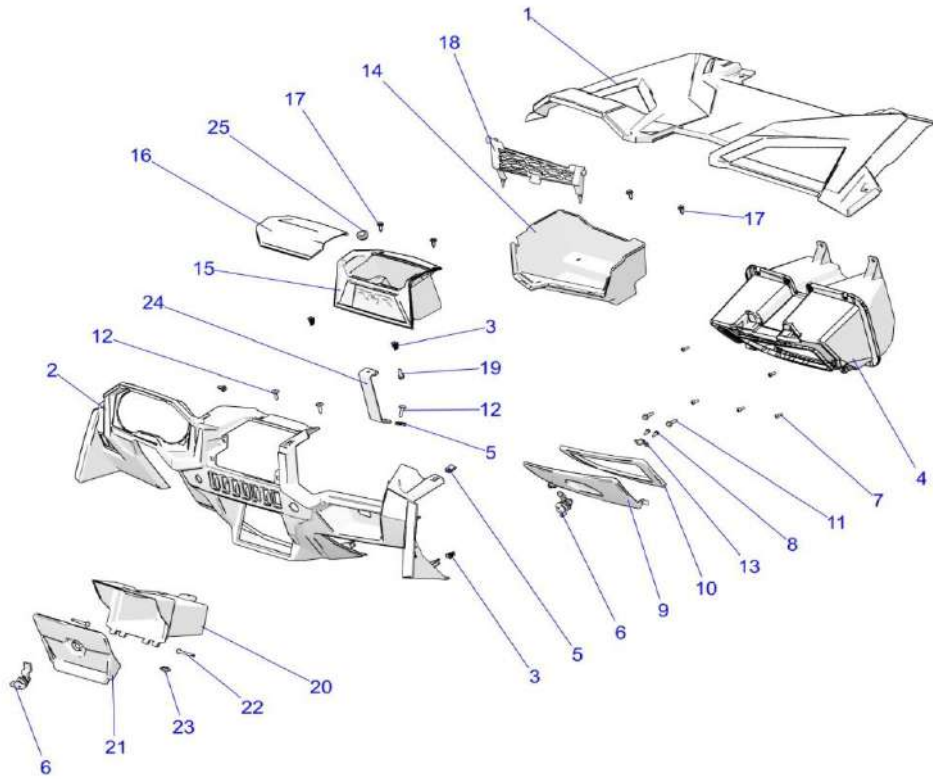


12 - ACCESSORIES



BODY, DASH AND GLOVEBOX

2023 RZR TRAIL S 1000 EPS EU/TRACTOR INTL (R02) - Z23ASE99F4/S99C4/F4



POS	OEM Part #	Part Name	Qty
	1045523	K-ASM-UPPER,IP,EU,BLK [INCL. QTY 2 OF REF. 3]	
1	-----	K-ASM-UPPER,IP,TR,BLK [INCL. QTY 2 OF REF. 3]	1
2	1044997	ASM-LOWER IP,CLIP,BLK [INCL. QTY 6 OF REF. 3 & QTY 2 OF REF. 5]	1
3	1014466	CLIP, DASH, TRIM, METAL	AR
4	1039391	ASM., GLOVE BOX [INCL. 4,7,8,13]	1
4	1039901	GLOVEBOX, BLACK	1
5	1014509	NUT-M6-1.0, U-TYPE (2.5-3.8)	2
6	1014063	LATCH, 1/4 TURN, CAM	2
7	1014423	SCREW-#10X3/4-HI/LO-PN-T25,TRX-M	5
8	1039701	SCREW-WSHRPNHD,10-16,HILO	2
9	1039909	DOOR, GLOVEBOX, PNT, BLACK	1
10	1039556	SEAL, GLOVEBOX	1
11	1044268	SCR-TFHFL-M6X1.0X25,ZOD	2
12	1014459	SCR-TXTH-M6X1.0X25 ZFB	AR
13	1039525	BRACKET, GLOVEBOX, LATCH	1
14	1044993	BIN-UPPER IP,BLK	1
15	1044986	BEZEL-STORAGE,BLK	1
16	1044988	BEZEL-STORAGE,LID,BLK	1
17	1014589	RIVET-TUFLOK,.315-.325X.787	4
18	1044994	NET,BIN-UPPER IP	1
19	1039683	SCR-M6X1.0X20, HXHD, FLG, TDFM, BK	1
20	1044989	ASM-DOUBLE DIN [INCL. 20-23]	1
20	1044992	PANEL-DOUBLE DIN,BLK	1
21	1044991	DOOR-DIN BOX,BLK	1
22	1039564	PIN-HINGE,GLOVEBOX	2
23	1044990	PLUG, COMPARTMENT	1
24	1044995	BRKT-DIN MNT,ECOAT	1
25	1044987	GROMMET-RUBBER,MOUNT,.25"	1

BODY, DECALS GRAPHICS

2023 RZR TRAIL S 1000 EPS EU/TRACTOR INTL (R02) - Z23ASE99F4/S99C4/F4



Illustration is for decal placement only and may not represent actual model.

POS	OEM Part #	Part Name	Qty
1	1014053	LOGO-POLARIS STAR	1
2	1045538	DECAL-POLARIS,WHITE	2
3	1045525	DECAL-HOOD SIDE,TRAILS	2
4	1045544	DECAL-FRT.FNDR,SIDE,LWR,LH	1
4	1045545	DECAL-FRT.FNDR,SIDE,LWR,RH	1
5	1045546	DECAL-DOOR,FRONT,LH	1
5	1045547	DECAL-DOOR,FRONT,RH	1
6	1045548	DECAL-DOOR,UPR,LH	1
6	1045549	DECAL-DOOR,UPR,RH	1
7	1045527	DECAL-DOOR,MID,RZR,LH	1
7	1045529	DECAL-DOOR,MID,RZR,RH	1
8	1045550	DECAL-DOOR,RR,UPR,LH	1
8	1045551	DECAL-DOOR,RR,UPR,RH	1
9	1045552	DECAL-DOOR,RR,LWR,LH	1
9	1045553	DECAL-DOOR,RR,LWR,RH	1
10	1045531	DECAL-RR.FNDR,SIDE,TOP,LH	1
10	1045533	DECAL-RR.FNDR,SIDE,TOP,RH	1
11	1045535	DECAL-RR.FNDR,BTM,TRAILS,LH	1
11	1045537	DECAL-RR.FNDR,BTM,TRAILS,RH	1

BODY, DECALS STANDARD

2023 RZR TRAIL S 1000 EPS EU/TRACTOR INTL (R02) - Z23ASE99F4/S99C4/F4



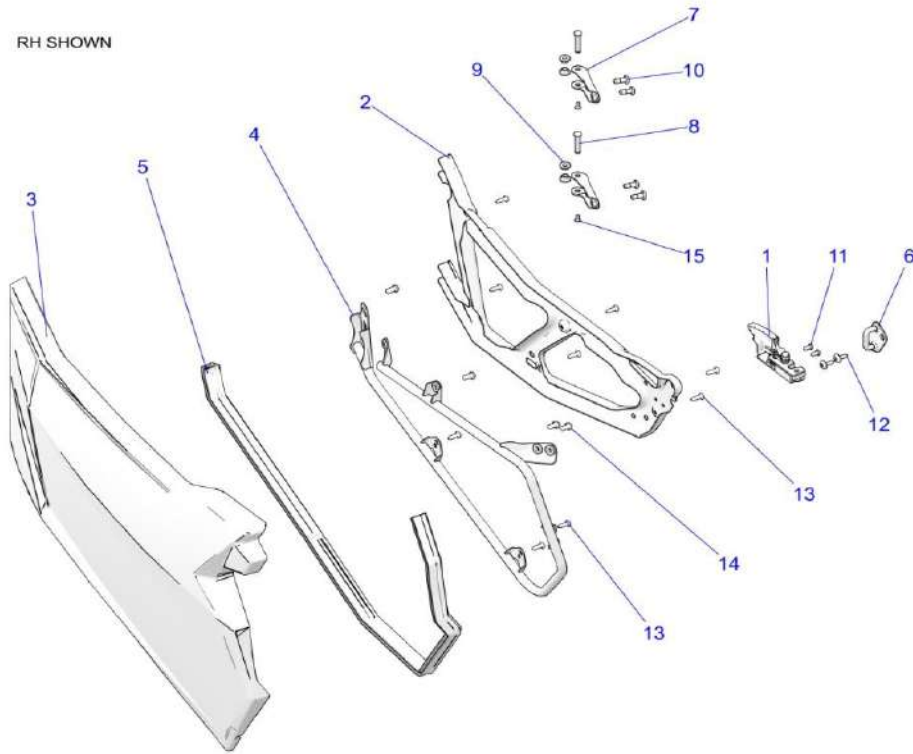
Illustration is for decal placement only
and may not represent actual model.

POS	OEM Part #	Part Name	Qty
1	1045539	BADGE-POLARIS STAR LG	1
2	1045540	DECAL-HITCH,RZR,EU	1
3	1039647	DECAL, WARNING, GENERAL, TOP, EU	1
4	1039648	DECAL, WARNING, GENERAL, BTM, EU	1
5	1039649	DECAL, WARNING, GENERAL, MID, EU	1
6	1040120	DECAL, IGNITION, LIGHTING	1
7	1045541	DECAL-WARN, OWNER MANUAL INFO	1
8	1039644	DECAL, WARNING, CLUTCH COVER, EU	1
9	1045542	DECAL-WARN, LOAD/TIRE, RZR	1
10	1045713	DECAL-WARN, RADIATOR, EU [E99F4][LOCATED ON RADIATOR][TO 5/11/2022]	1
10	-----	DECAL-WARN, RADIATOR, EU [E99F4][LOCATED ON RADIATOR][FROM 5/11/2022]	1
11	1039652	DECAL-WARN, INTAKE [ON AIRBOX]	2
12	1040121	DECAL-WARN, JACKING POINT	1
13	1040122	DECAL-WARN, HOT SURFACE	2
14	1040123	DECAL-WARN, GREASING POINT	1
15	1040105	DECAL-WARN, GENERAL, TOP, EU, TR	1
16	1045543	DECAL-WARN, FUEL DYR2014/94/EU	1
17	1045043	DECAL-WARN, MAX PAYLOAD, RZR, XP	1

BODY, DOORS

2023 RZR TRAIL S 1000 EPS EU/TRACTOR INTL (R02) - Z23ASE99F4/S99C4/F4

RH SHOWN

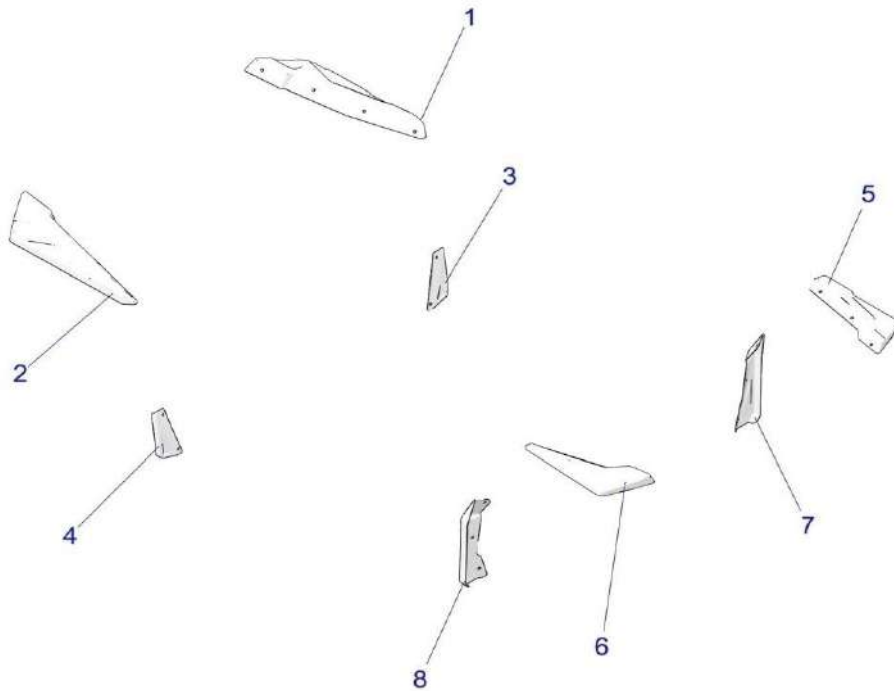


POS	OEM Part #	Part Name	Qty
1	1030446	ASM-LATCH,DOOR,LH	1
1	1033790	ASM-LATCH,DOOR,RH	1
2	1011489	STAMPING, DOOR FRAME, LH, MATTE BLACK	1
2	1011490	STAMPING, DOOR FRAME, RH, MATTE BLACK	1
3	1045766	DOOR SKIN,LH,NYL,GH GRY	1
3	1045768	DOOR SKIN,RH,NYL,GH GRY	1
4	1045769	WELD-MNT,DOOR,LWR,LH,60,BLK	1
4	1045770	WELD-MNT,DOOR,LWR,RH,60,BLK	1
5	1045771	SEAL-WTHRSTRP,1230MM	2
6	1001510	ASM., STRIKER, LH	1
6	1001511	ASM., STRIKER, RH	1
7	1011491	BRACKET, DOOR, HINGE	4
8	1045066	SCR-TXWH-M5X0.8X40 10.9 ZTB SP	4
9	1011897	BUSHING, DOOR, PIVOT	8
10	1014473	SCR-TXTH-M8X1.25X20 8.8 ZB3 P3	8
11	1014444	SCREW-TXBH-M6X1.0X12 8.8 ZPB D20	4
12	1014447	SCREW-TXTH-M6X1.0X20 T40 ZPB	4
13	1045772	SCR-TX TRUSS-#14X3/4, HI/LO ZBK	18
14	1045071	SCREW-HXBH-M8X1.25X16 10.9 ZPB	8
15	1045065	SCREW-FLHD-M5X0.8X12 10.9 P&O	4

BODY, FENDER FLAIR, EXTENDERS

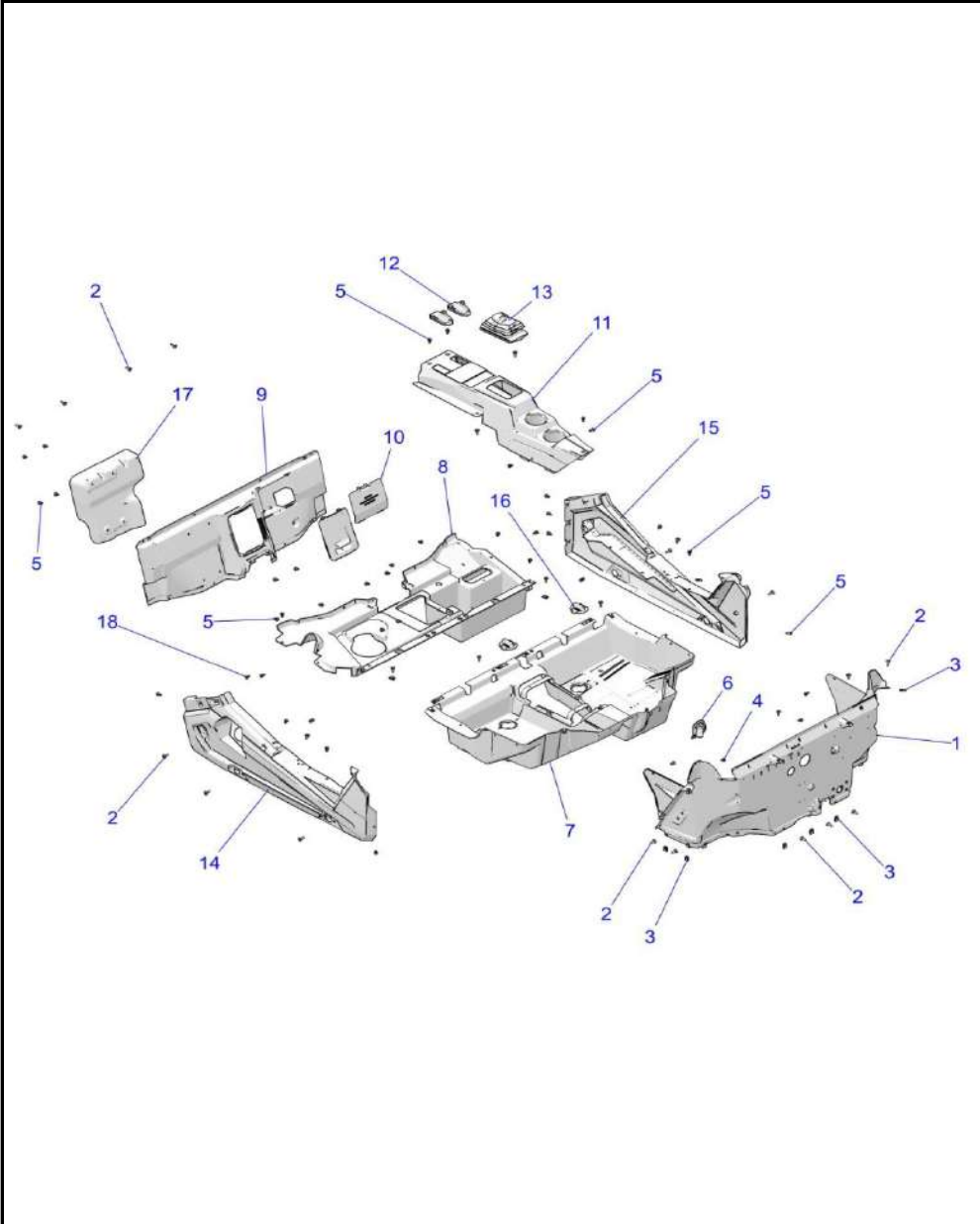
2023 RZR TRAIL S 1000 EPS EU/TRACTOR INTL (R02) - Z23ASE99F4/S99C4/F4

POS	OEM Part #	Part Name	Qty
1	1011938	FENDER-REAR FLAIR,LH,TR,BLK	1
2	1011939	FENDER-REAR FLAIR,RH,TR,BLK	1
3	1011944	FENDER-REAR FLAIR,LH,LWR,BLK	1
4	1011945	FENDER-REAR FLAIR,RH,LWR,BLK	1
5	1045554	FENDER-FRONT FLAIR,LH,TR,BLK	1
6	1045555	FENDER-FRONT FLAIR,RH,TR,BLK	1
7	1011942	FENDER-FRONT FLAIR,LH,LWR,BLK	1
8	1011943	FENDER-FRONT FLAIR,RH,LWR,BLK	1



BODY, FLOOR and ROCKER PANELS

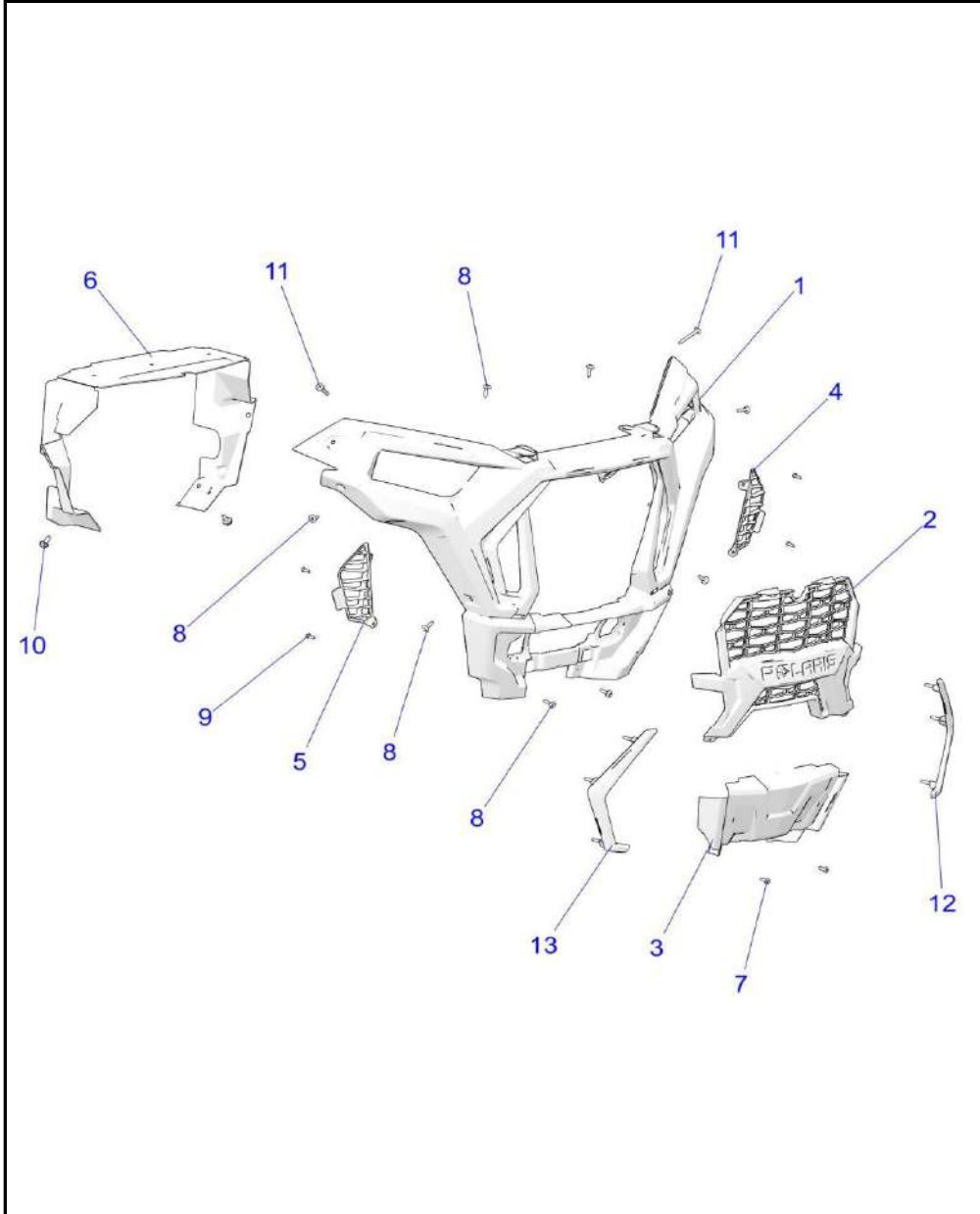
2023 RZR TRAIL S 1000 EPS EU/TRACTOR INTL (R02) - Z23ASE99F4/S99C4/F4



POS	OEM Part #	Part Name	Qty
1	1045079	ASM-FIREWALL,MAIN,ROUTERED,BLK [INCL. U-NUTS]	1
2	1014459	SCR-TXTH-M6X1.0X25 ZFB	AR
3	1014509	NUT-M6-1.0, U-TYPE (2.5-3.8)	AR
4	1039669	SCR-10-24X3/4 PH/TX/TRI-SEMS Y	3
5	1014589	RIVET-TUFLOK,.315-.325X.787	AR
6	1039555	BOOT, STEERING	1
7	1045080	ASM-FLOOR,MAIN,BLK	1
8	1039899	PANEL, REAR CLOSEOFF, LOWER, BLACK	1
9	1045556	ASM-REAR CLOSEOFF,UPR,BLK [INCL. 5,18]	1
10	1039584	COVER-ECU	1
11	1045557	K-ASM-CONSOLE,EU,BLK	1
12	1040129	COVER, SEAT BELT, PARK BRAKE, EPDM	2
13	1011811	BOOT, SHIFTER	1
14	1011916	ROCKER, RH, BLACK	1
15	1011915	ROCKER, LH, BLACK	1
16	1011806	PLUG, DRAIN, FLOOR	2
17	1040130	SHIELD-FOIL, FRONT PANEL	1
18	1014466	CLIP, DASH, TRIM, METAL	AR

BODY, FRONT BUMPER

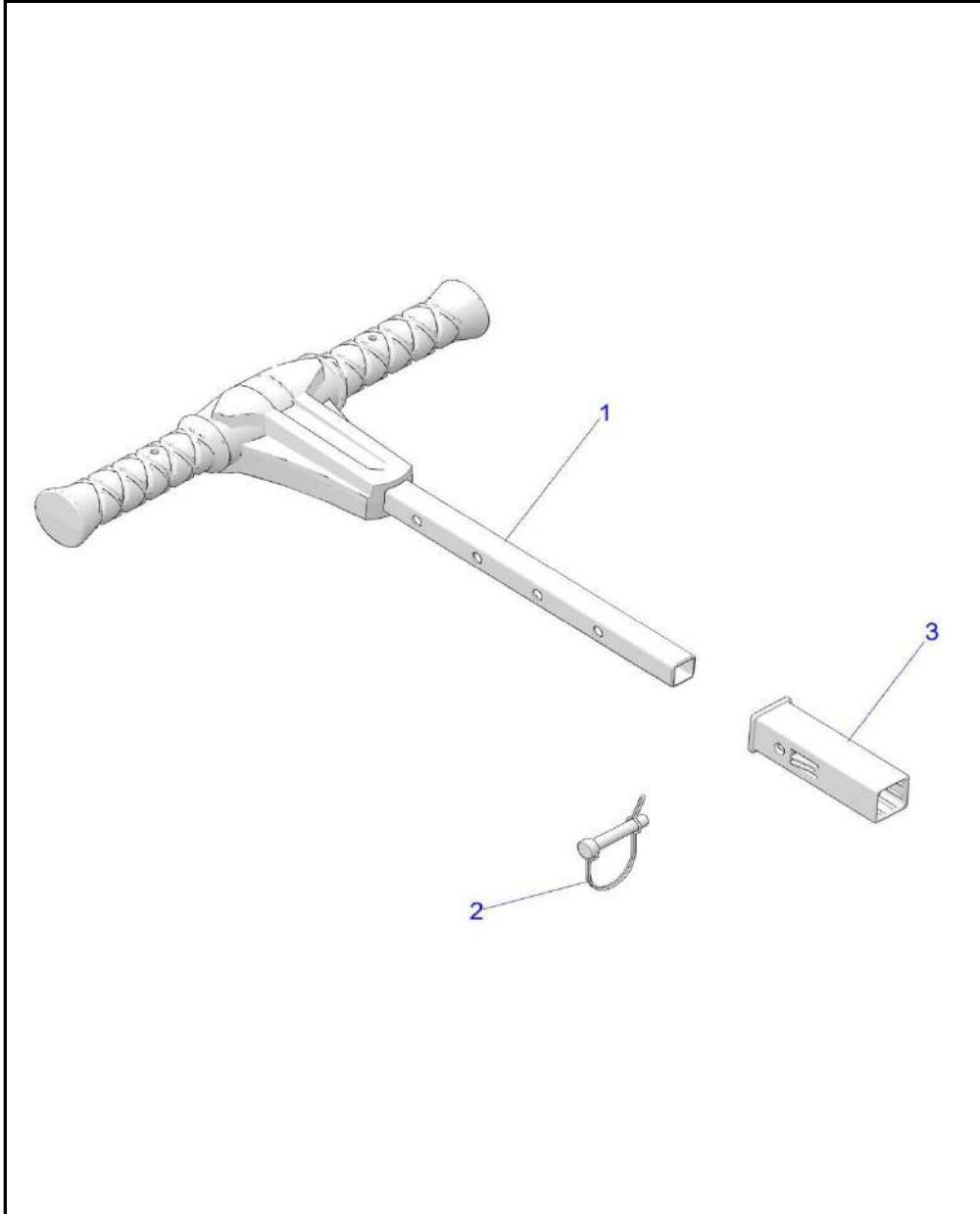
2023 RZR TRAIL S 1000 EPS EU/TRACTOR INTL (R02) - Z23ASE99F4/S99C4/F4



POS	OEM Part #	Part Name	Qty
1	-----	FASCIA-FRONT,60,NYL,STLTH GR	1
2	1045560	GRILLE-FRONT FASCIA,BLK	1
3	1045561	COVER-WINCH,TXT,BLK	1
4	1045562	GRILLE-FRONT FASCIA,LH,BLK	1
5	1045563	GRILLE-FRONT FASCIA,RH,BLK	1
6	1045564	SHROUD-RADIATOR	1
7	1045772	SCR-TX TRUSS-#14X3/4, HI/LO ZBK	2
8	1014459	SCR-TXTH-M6X1.0X25 ZFB	8
9	1045565	SCREW-10X5/8-HI/LO,PN-T25,TRX-M	4
10	1039688	SCR-TFHFL-M8X1.25X20 CHS ZOD	2
11	1014468	SCR-TXTH-M6X1.0X50 RIE	2
12	-----	CVR-ACCNT LIGHT,FILR,LH,NYLBLK	1
13	-----	CVR-ACCNT LIGHT,FILR,RH,NYLBLK	1

BODY, GRAB BAR, PASSENGER

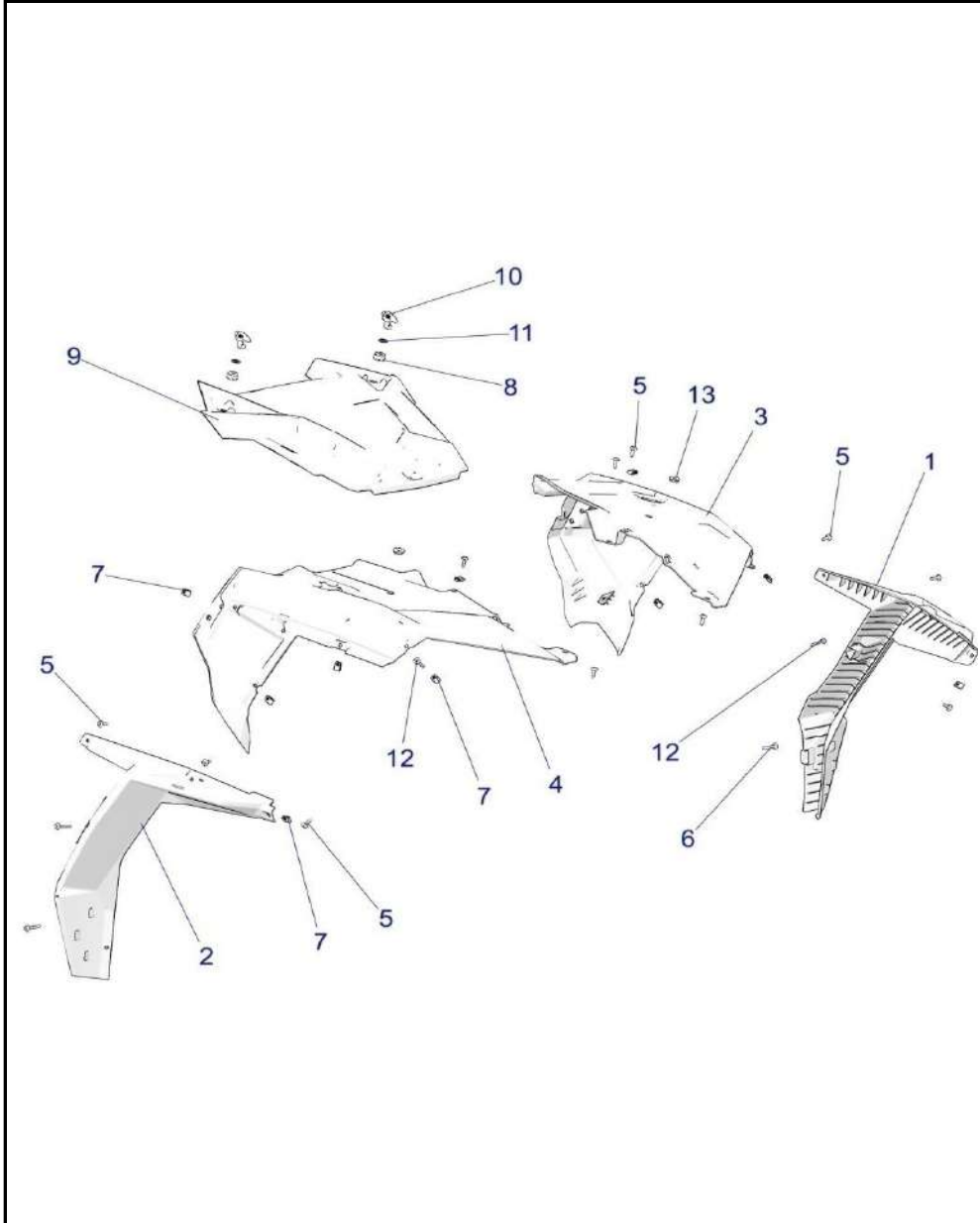
2023 RZR TRAIL S 1000 EPS EU/TRACTOR INTL (R02) - Z23ASE99F4/S99C4/F4



POS	OEM Part #	Part Name	Qty
1	1006282	ASM., GRAB BAR	1
2	1014590	PIN-HITCH, TAB	1
3	1039571	BUSHING-GRAB BAR SQ	1

BODY, HOOD AND FRONT BODY WORK

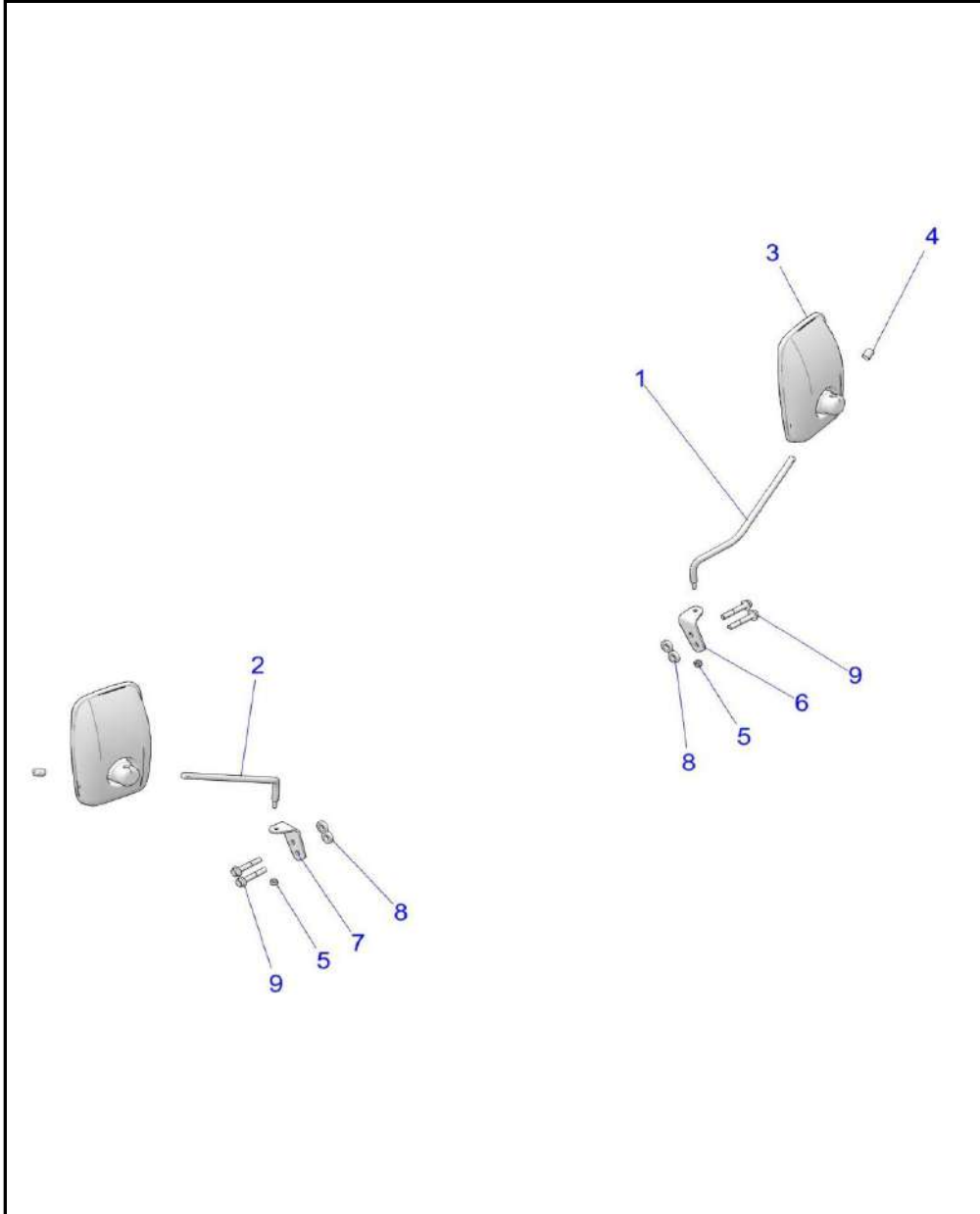
2023 RZR TRAIL S 1000 EPS EU/TRACTOR INTL (R02) - Z23ASE99F4/S99C4/F4



POS	OEM Part #	Part Name	Qty
1	1011869	FENDER, FRONT FLAIR, LH, BLACK [E99F4]	1
1	1040140	FENDER-FRONT MAIN FLAIR,LH,BLK [C4][S99F4]	1
2	1011870	FENDER, FRONT FLAIR, RH, BLACK [E99F4]	1
2	1011949	FENDER-FRONT MAIN FLAIR,RH,BLK [C4][S99F4]	1
3	1045571	FENDER-FR,LH,RTRD,NYLON,GH.GRY	1
4	1045573	FENDER-FR,RH,RTRD,NYLON,GH.GRY	1
5	1014459	SCR-TXTH-M6X1.0X25 ZFB	AR
6	1014467	SCR-14X1.75 T40 TX HI/LO	2
7	1014509	NUT-M6-1.0, U-TYPE (2.5-3.8)	AR
8	1011795	GROMMET, LATCH	2
9	1045575	HOOD-CENTER,NYLON,GH.GRY	1
10	1045094	LATCH, 1/4 TURN	2
11	1014517	WASHER-.510X.840X.031 Y	2
12	1014468	SCR-TXTH-M6X1.0X50 RIE	2
13	1045095	GROMMET, 4MM	2

BODY, MIRRORS

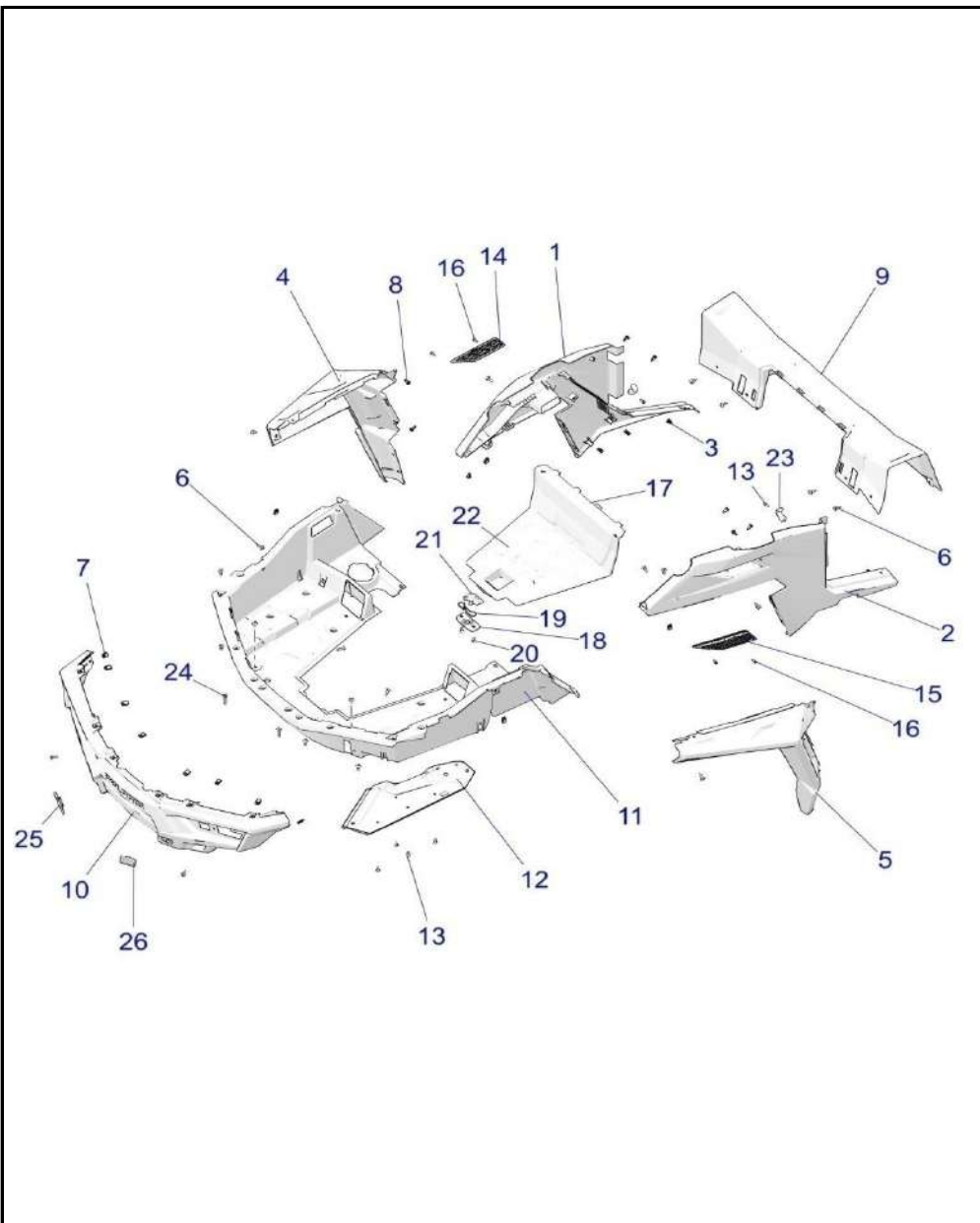
2023 RZR TRAIL S 1000 EPS EU/TRACTOR INTL (R02) - Z23ASE99F4/S99C4/F4



POS	OEM Part #	Part Name	Qty
	1045576	ASM-MIRROR,SET,TRACTOR [C4][S99F4][INCL. 2-5]	1
1	1045577	MIRROR ARM,LH,BLK [C4][S99F4]	1
1	1006278	ASM-MIRROR,HNDLBR,LH [S99F4][E99F4]	1
2	1045578	MIRROR ARM,RH,BLK [C4][S99F4]	2
2	1006279	ASM-MIRROR,HNDLBR,RH [E99F4]	1
3	1011968	MIRROR CERT R46,TR [C4][S99F4]	2
4	1011972	PLUG-MIRROR ARM [C4][S99F4]	2
5	1014497	NUT-HEX,M8X1.25,NYLOCK-SS	2
6	1045579	BRKT-MIRROR MOUNT,LH,BLK	1
7	1045580	BRKT-MIRROR MOUNT,RH,BLK	1
8	1045582	SPACER-25X8,BLK	4
9	1045584	SCR-HXFL-M10X1.5X60 10.9 ZB	4

BODY, REAR RACK AND FENDERS

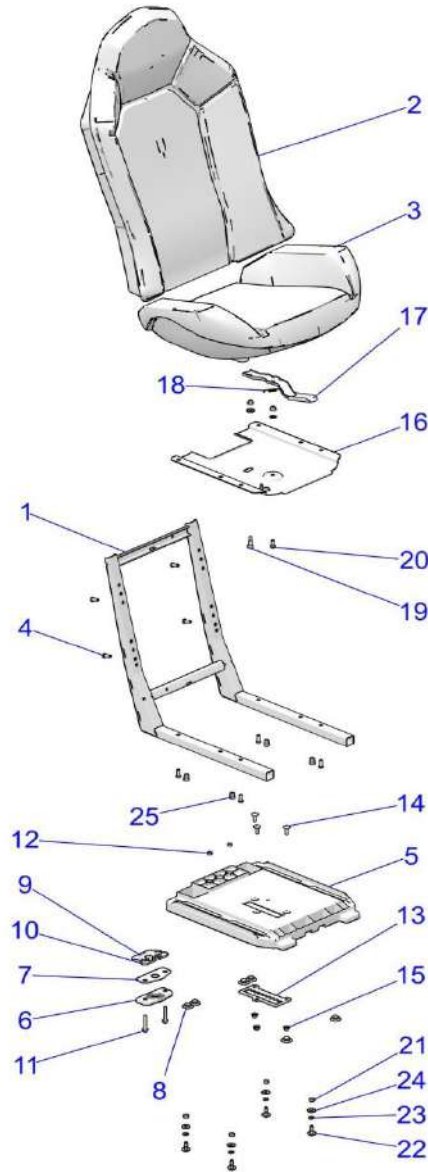
2023 RZR TRAIL S 1000 EPS EU/TRACTOR INTL (R02) - Z23ASE99F4/S99C4/F4



POS	OEM Part #	Part Name	Qty
1	1045586	ASM-FNDR,RR,CLIP,LH,NYL,G.GRY [INCL. QTY 3 OF REF. 3]	1
2	1045588	ASM-FNDR,RR,CLIP,RH,NYL,G.GRY [INCL. QTY 3 OF REF. 3]	1
3	1014466	CLIP, DASH, TRIM, METAL	6
4	1011873	FENDER, REAR FLAIR, LH, BLACK	1
4	1040157	FENDER-REAR MAIN FLAIR,LH,BLK	1
5	1011874	FENDER, REAR FLAIR, RH, BLACK	1
5	1011950	FENDER-REAR MAIN FLAIR,RH,BLK	1
6	1014459	SCR-TXTH-M6X1.0X25 ZFB	AR
7	1014509	NUT-M6-1.0, U-TYPE (2.5-3.8)	AR
8	1014589	RIVET-TUFLOK,.315-.325X.787	AR
9	1045589	HOUSING, AIR INTAKE, BLACK	1
10	1045590	FASCIA-REAR,ROUTERED	1
10	1045591	FASCIA-REAR,ROUTERED,TR,BLK	1
11	1045592	ASM-REAR BOX,BLK [INCL. 13-14]	1
12	1040164	SHIELD-BOX MOUNT,INNER	1
13	1045772	SCR-TX TRUSS-#14X3/4, HI/LO ZBK	4
14	1045593	GRILL-INTAKE COVER,LH,BLK	1
15	1045594	GRILL-INTAKE COVER,RH,BLK	1
16	1014423	SCREW-#10X3/4-HI/LO-PN-T25,TRX-M	4
17	1045595	K-ASM-PANEL BOX,ACCESS,INTL [INCL. 18-22, WARNING DECAL]	1
18	1011896	LATCH, COVER PLATE, BLACK	1
19	1045115	SPRING, LATCH, SEAT	1
20	1039737	SCR-TXPH-#14X3/4 HI/LO CLR	2
21	1011830	LEVER, LATCH, SEAT	1
22	1045596	PANEL-BOX,ACCESS	1
23	1045597	BRKT, J MOUNT, INJ, RZN	2
24	1014468	SCR-TXTH-M6X1.0X50 RIE	2
25	1040159	PLUG, REAR, FASCIA, LH, BLACK	1
26	1040160	PLUG, REAR, FASCIA, RH, BLACK	1

BODY, SEAT ASM. AND SLIDER

2023 RZR TRAIL S 1000 EPS EU/TRACTOR INTL (R02) - Z23ASE99F4/S99C4/F4

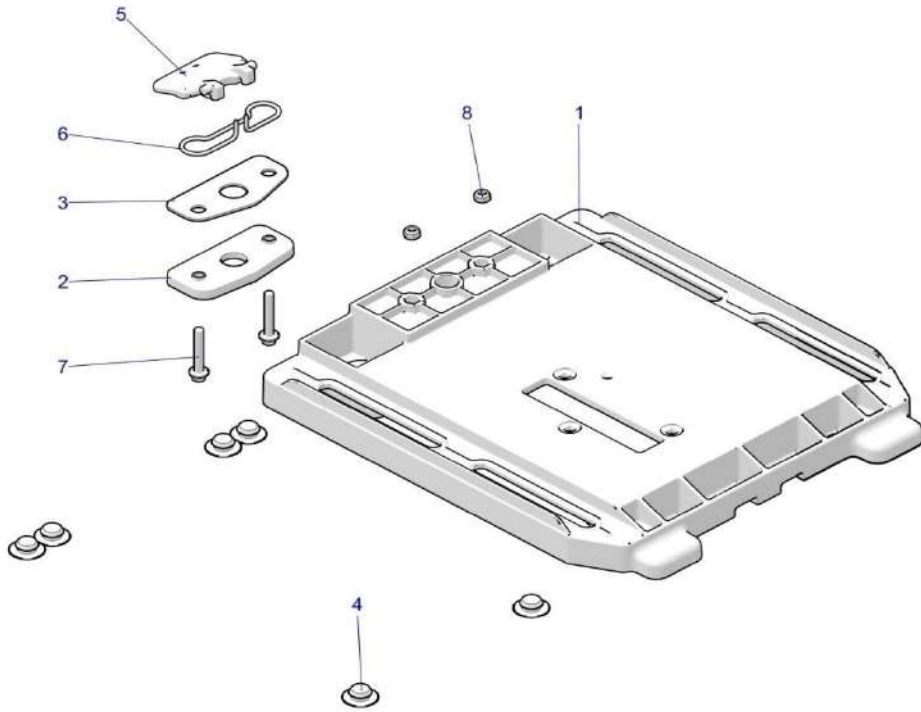


POS	OEM Part #	Part Name	Qty
1	1039345	WELD-FRAME, SEAT	2
2	1045599	ASM-SEAT BACK,GHST/BLK,RED ST [E99F4][C4][S99F4]	2
3	1045601	ASM-SEAT BTM,GHST/BLK,RED ST [E99F4][C4][S99F4]	2
4	1014427	SCREW-1/4-20x3/4 BH TRX, GR5-Z	16
5	1039395	ASM., BASE, SEAT SLIDER [INCL. 6-14, QTY 3 OF 15, 25]	1
5	1039388	ASM., BASE, SEAT [INCL. 7-12]	1
6	1011896	LATCH, COVER PLATE, BLACK	2
7	1039523	PLATE, LATCH, SEAT	2
8	1039539	GROMMET, SEAT, BASE	12
9	1011830	LEVER, LATCH, SEAT	2
10	1045115	SPRING, LATCH, SEAT	2
11	1039663	SCREW-M6X1.00X40-HX/FL-YD	4
12	1039773	NUT-6MM X 1 NYLOK-Z	4
13	1045116	BRACKET, SEAT, SLIDER, ADJUSTABLE PLATE	1
14	1039712	SCR-RHCARM6X1.0X20 8.8 ZOD	3
15	1039784	NUT-M6X1.0, FLG-NYLOC-OLIVE D	5
16	1039527	BRACKET, SEAT SLIDER MOUNTING PLATE	1
17	1033334	BRACKET, SEAT SLIDER LEVER	1
18	1039605	SPRING	1
19	1039706	SCR-SH-M6X1.0X9.5 12.9 ZY3	1
20	1039709	BOLT, SHOULDER	1
21	1039531	TUBE, SPACER	4
22	1039739	SCR-1/4-20X1-BH-TRX-GR5-Z	8
23	1039795	WASHER-1/4 SPRING LOCK-Y	8
24	1039798	WASHER-FL .281X.750X.062-Y	8
25	1045602	INSERT-1/4-20,HEX HEAD	8

BODY, SEAT BASE

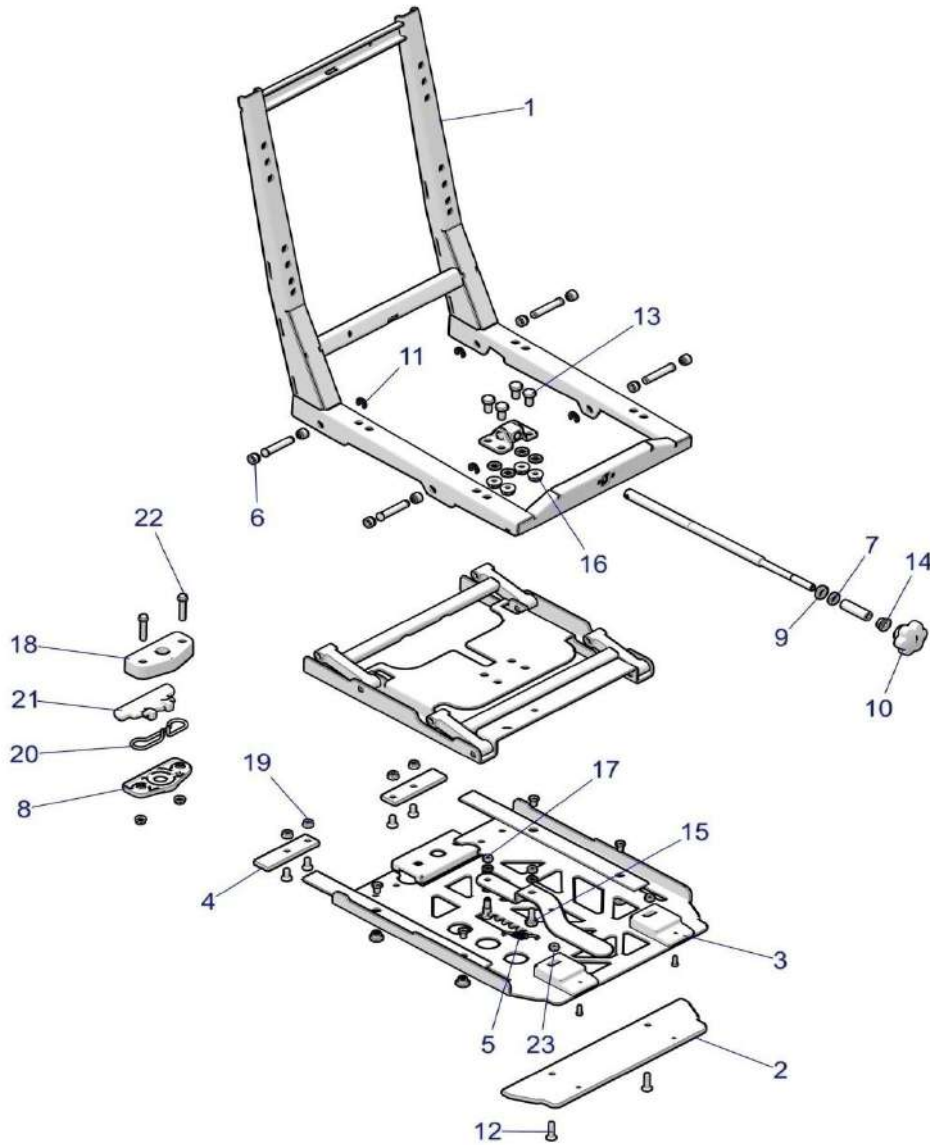
2023 RZR TRAIL S 1000 EPS EU/TRACTOR INTL (R02) - Z23ASE99F4/S99C4/F4

POS	OEM Part #	Part Name	Qty
1	1039388	ASM., BASE, SEAT [INCL. 3-10]	1
2	1011896	LATCH, COVER PLATE, BLACK	1
3	1039523	PLATE, LATCH, SEAT	1
4	1039539	GROMMET, SEAT, BASE	6
5	1011830	LEVER, LATCH, SEAT	1
6	1045115	SPRING, LATCH, SEAT	1
7	1039663	SCREW-M6X1.00X40-HX/FL-YD	2
8	1039773	NUT-6MM X 1 NYLOK-Z	2



BODY, SEAT BASE, ADJUSTER

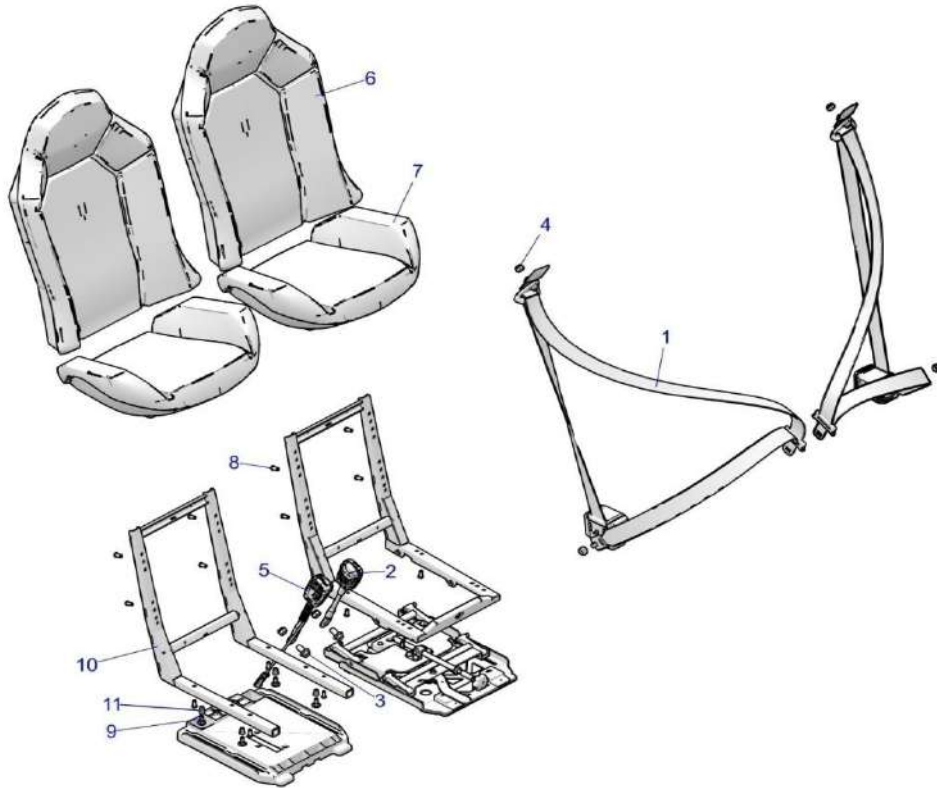
2023 RZR TRAIL S 1000 EPS EU/TRACTOR INTL (R02) - Z23ASE99F4/S99C4/F4



POS	OEM Part #	Part Name	Qty
1	1045603	ASM-SEAT ADJUSTER RZR,BLK [INCL. 2-17]	1
2	1045604	SPACER FRONT	1
3	1045605	SEAT LOCK SUPPORT FRONT	2
4	1045606	SPACER REAR	2
5	1040173	SPRING 40MM	1
6	1040174	SPACER-M8X9MM	8
7	1045747	WASHER 8.4X16.7	1
8	1045608	CAP, LATCH, SEAT	1
9	1045609	WASHER 8.4X18	1
10	1045610	KNOB M8	1
11	1045611	RING-RETAINING M7	4
12	1040180	SCR-HEX COUNTERSUNK HEAD M6X25	2
13	1040181	SCR-HEXAGONAL M8X16	4
14	1040186	NUT-M8X1.25	1
15	1040183	BOLT-SOLDER M8X18	1
16	1040188	NUT-FLANGE HEX M8X8X1.25	4
17	1045612	NUT M6 HX FLG NL-Y	6
18	1045613	BODY, LATCH, SEAT	1
19	1045182	NUT-HXFLGHD, M6, SERRATED	2
20	1045115	SPRING, LATCH, SEAT	1
21	1045614	LEVER-LATCH,SEAT	1
22	1014452	SCR-HXFL-M6X1.0X35, W/PATCHLOK	2
23	1040189	NUT-HEXAGONAL M6X5.2X1	2

BODY, SEAT BELT AND MOUNTING

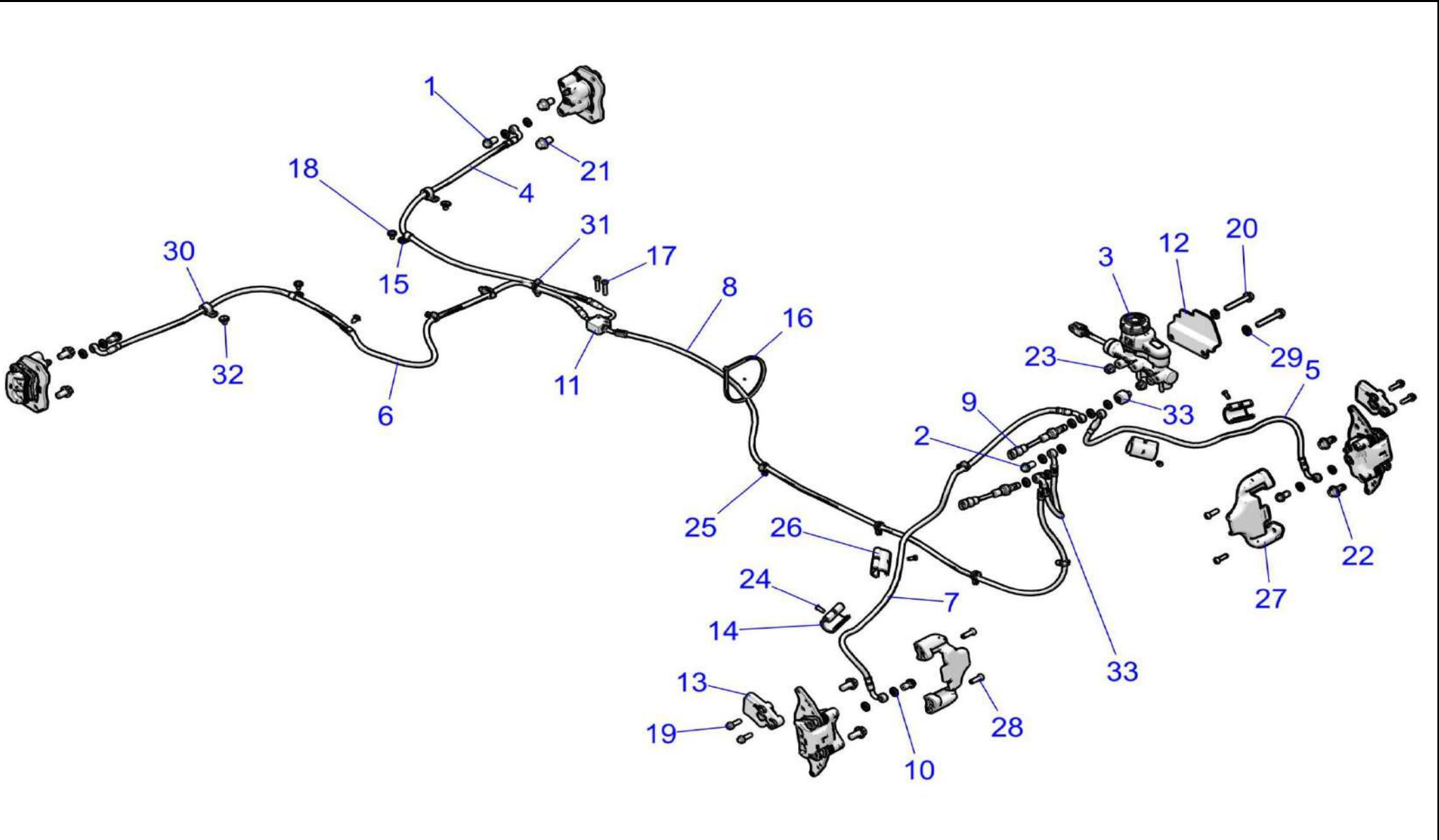
2023 RZR TRAIL S 1000 EPS EU/TRACTOR INTL (R02) - Z23ASE99F4/S99C4/F4



POS	OEM Part #	Part Name	Qty
1	1045618	ASM-SEAT BELT,3PT	2
2	1006302	BUCKLE-SEATBELT,90,SWITCH,TR	1
3	1039718	SCR-M12X1.75X25 8.8 HXFL ZOD	2
4	1039769	NUT-NYLOCK, M12X1.75, 0600110	6
5	1006303	BUCKLE-SEAT BELT,11.5,90,TR	1
6	1045599	ASM-SEAT BACK,GHST/BLK,RED ST [E99F4][C4][S99F4]	2
7	1045601	ASM-SEAT BTM,GHST/BLK,RED ST [E99F4][C4][S99F4]	2
8	1014427	SCREW-1/4-20x3/4 BH TRX, GR5-Z	16
9	1039739	SCR-1/4-20X1-BH-TRX-GR5-Z	4
9	1039795	WASHER-1/4 SPRING LOCK-Y	4
9	1039798	WASHER-FL .281X.750X.062-Y	4
10	1039345	WELD-FRAME, SEAT	1
11	1045602	INSERT-1/4-20,HEX HEAD	4

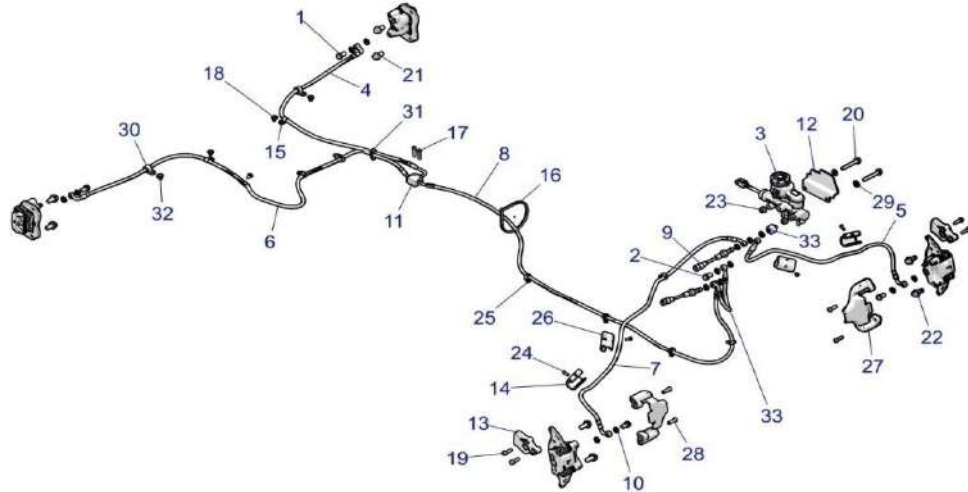
BRAKES, BRAKE LINES AND MASTER CYLINDER

2023 RZR TRAIL S 1000 EPS EU/TRACTOR INTL (R02) - Z23ASE99F4/S99C4/F4



BRAKES, BRAKE LINES AND MASTER CYLINDER

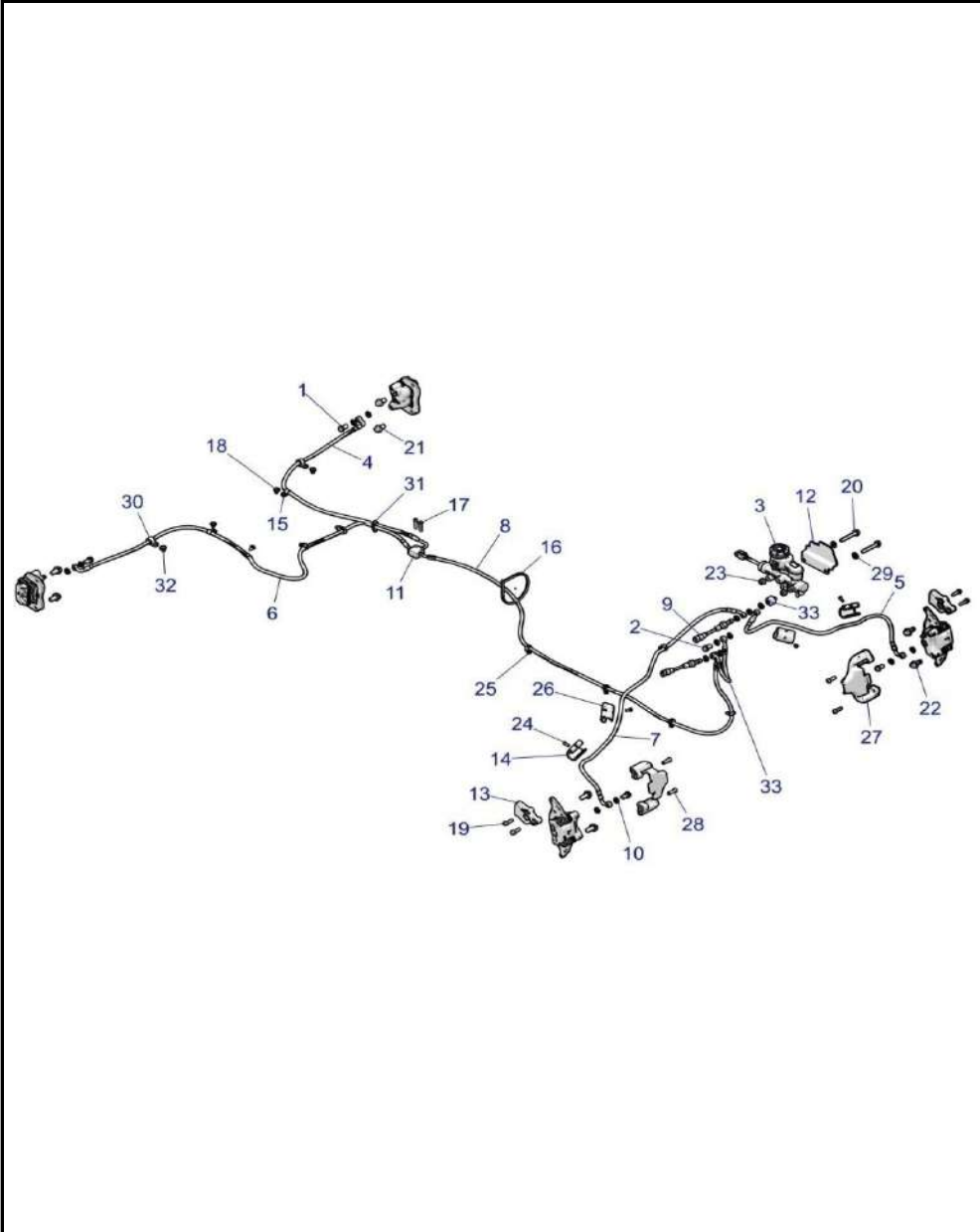
2023 RZR TRAIL S 1000 EPS EU/TRACTOR INTL (R02) - Z23ASE99F4/S99C4/F4



POS	OEM Part #	Part Name	Qty
1	1039367	BOLT-BANJO,10MMX1.00-6G	4
2	1039368	BOLT-BANJO, 10MM X 1.25-6G	1
3	1039184	ASM., MASTER CYLINDER, TANDEM [E99F4][S99F4]	1
3	-----	ASM-TANDEM MASTER CYL,HB, FLS [C4]	1
4	1040205	LINE-BRK,RL,40.2,90B,90F,346°G	1
5	1040206	LINE-BRK,FL,31.3,90SB,20B,180G	1
6	1040207	LINE-BRK,RR,55.1",90B,20F,35°G	1
7	1040208	LINE-BRK,FR,42.3,90SB,70B,330G	1
8	1040209	LINE, BRAKE, MCT	1
9	1032907	SWITCH-BRK, M10X1.25, DBL, SEALED [TO 11/18/2022]	1
9	1045619	SWITCH-BRK,M10X1.25,DBL [FROM 11/18/2022]	1
10	1011792	SEAL-STAT-0-3/8, 70EP [QTY. of 14 in C4]	13
11	1039608	FITTING, TEE, BRAKE [E99F4][S99F4]	1
11	-----	FITTING-TEE,BRAKE, FLS [C4]	1
12	1039524	SHIELD, MASTER CYLINDER [E99F4][S99F4]	1
12	-----	BRKT-GUARD,MASTER CYL [C4]	1
13	1045620	SCRAPER, BRAKE, FRONT	2
14	1039577	CLIP, BRAKE LINE, OUTER	2
15	1039618	CLAMP-HOSE, .312DIA,VINYL COAT	3
16	1014060	CABLE-TIE,10-102MM,WEATH.-RES.	1
17	1039655	SCR-10-24X1.25TFM PN TRX TRI-Y	2
18	1039657	SCR-10-24X1/2, PHTXTRIRD, SEMS-Y	3
19	1040213	SCR-M6X1.0X25-HX/FL-Y/D	4
20	1039746	SCR-HXFL-M8X1.25X60 8.8 ZOD	2
21	1039690	BOLT-M10X1.25X20,HXFLG-OLV D	4
22	1039704	SCR-HXFL-M10X1.25X25 8.8 Z NY	4
23	1014499	NUT- M8X1.25, FLG, NYLOC-OLIVE D	2
24	1039807	RIVET-POP 5/32(.251-.375)-ST-B	4
25	1039816	CLIP-SILENCER BOX-C,98 INDY	7
26	1039576	CLIP, BRAKE LINE, INNER	2

BRAKES, BRAKE LINES AND MASTER CYLINDER

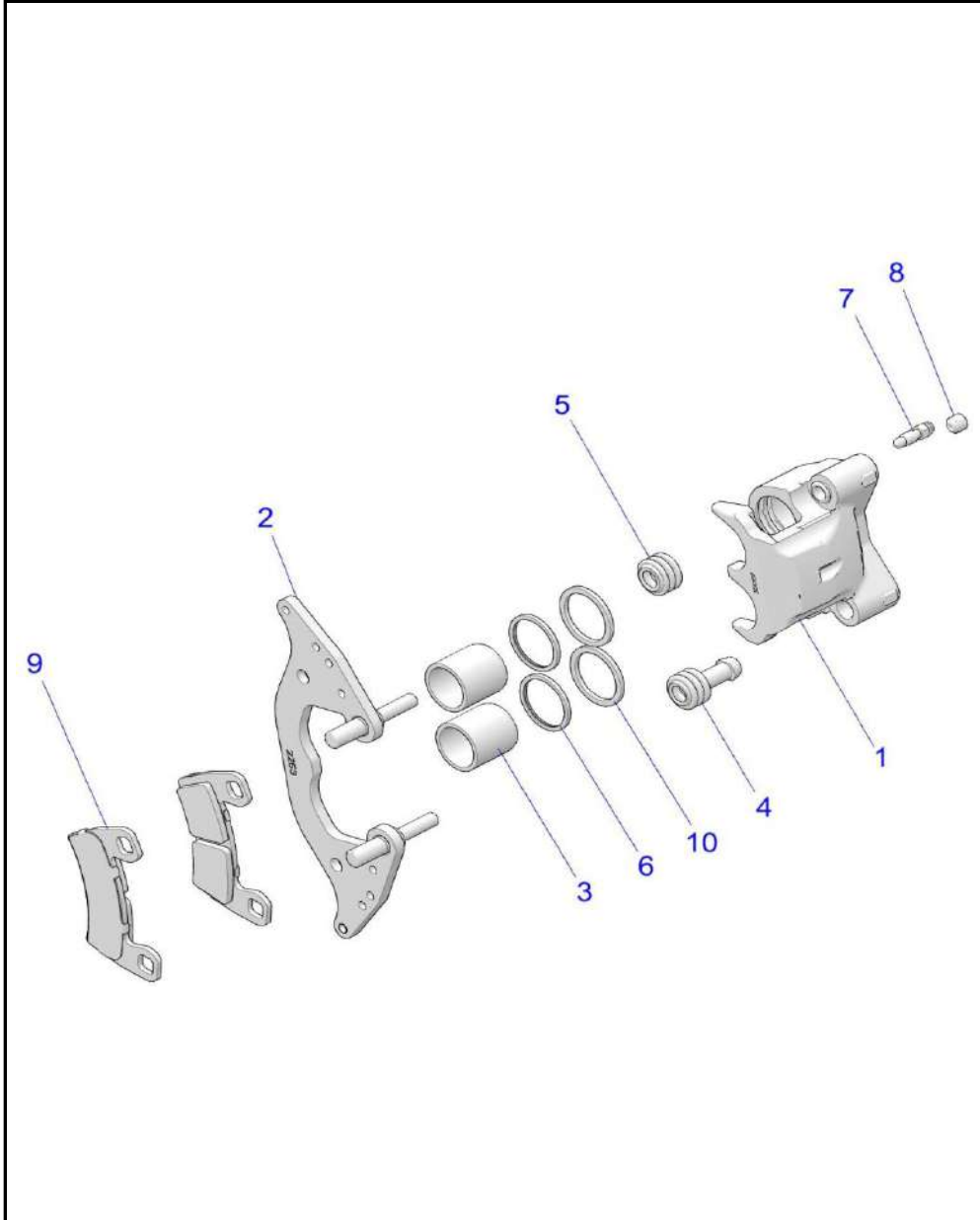
2023 RZR TRAIL S 1000 EPS EU/TRACTOR INTL (R02) - Z23ASE99F4/S99C4/F4



POS	OEM Part #	Part Name	Qty
27	1040215	SHIELD, CV, FRONT, BLACK	2
28	1040217	SCR-TXPH-M6X1.0X25 8.8 ZC	4
29	1039800	WSHR-.344X.750X.062-Y	2
30	1040219	CLAMP-HOSE,.625 DIA VNL COATED	2
31	1014065	CLIP-ROUTING	2
32	1014566	RIVET 3/16(.063-.250)ST-ST-LF-B	2
33	1047335	REDUCER,FLS,1.2MM [C4]	1

BRAKES, FRONT CALIPER

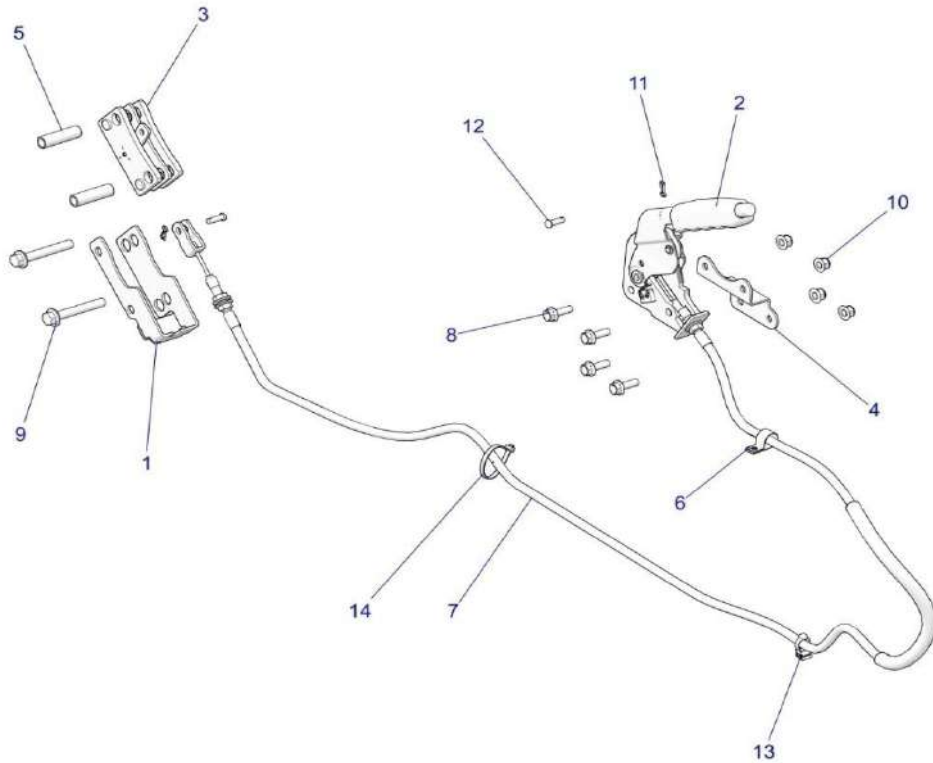
2023 RZR TRAIL S 1000 EPS EU/TRACTOR INTL (R02) - Z23ASE99F4/S99C4/F4



POS	OEM Part #	Part Name	Qty
1	1040220	ASM., BRAKE CALIPER, LH [INCL. ALL]	1
1	1040221	ASM., BRAKE CALIPER, RH [INCL. ALL]	1
2	1040222	ASM., CALIPER MOUNT	1
3	1040223	PISTON-BRAKE, LONG Substituted by 1930665	2
4	1011787	BOOT, PIN, BUSHING	1
5	1011788	SHORT CALIPER BOOT	1
6	1011749	Ring, Square, Molded (.094)	2
7	1014062	SCR-M7X1.0,BLEEDER,OLIVE D	1
8	1014436	SCR-M10X1.0X8,SOC SET-OD	1
9	1005167	K-BRAKE PAD,DB 1.188",COMPACT [INCL. 4 PADS]	1
10	1011750	SQUARE RING, MOLDED (.103 X .134)	2

BRAKES, PARKING

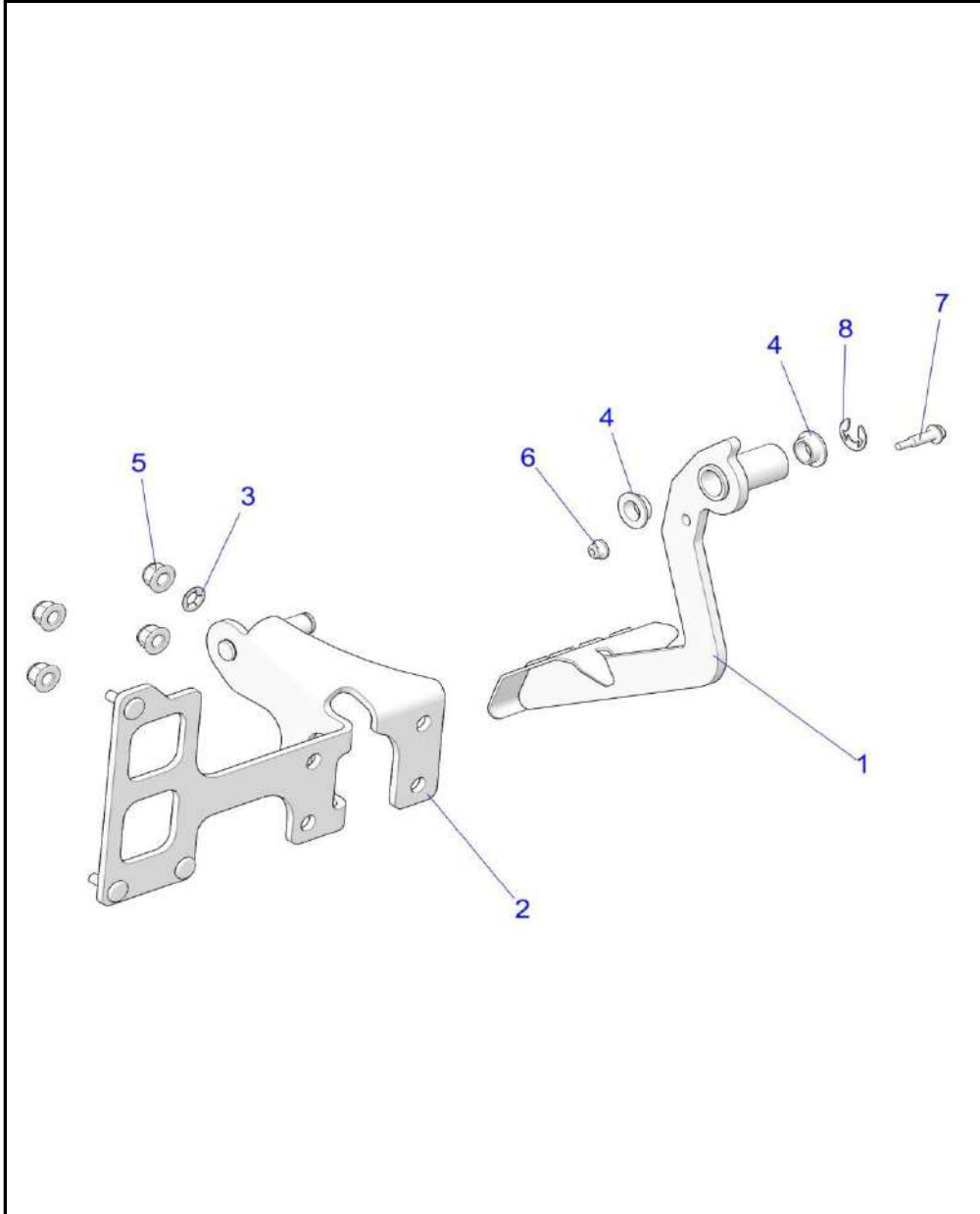
2023 RZR TRAIL S 1000 EPS EU/TRACTOR INTL (R02) - Z23ASE99F4/S99C4/F4



POS	OEM Part #	Part Name	Qty
1	1040230	BRACKET, PARKING BRAKE, CABLE, MATTE BLACK	1
2	1045623	ASM-LEVER,PARK BRAKE	1
3	1004292	ASM., CALIPER, PB, AFT-SB230C, RIVETED, MNI	1
4	1040232	BRACKET, MOUNT, PARK BRAKE LEVER	1
5	1040233	SPACER, PARKING BRAKE, 2 INCH	2
6	1040234	CLAMP, RUBBER COATED, .75" ID	1
7	1014077	CABLE-PARKING BRAKE,TW,73"	1
8	1039698	SCREW-HXFL-M6X1.0X20 8.8 ZY3	4
9	1039692	BOLT-M10X1.25X70,HXFLG-OLIVE D	2
10	1014499	NUT- M8X1.25, FLG, NYLOC-OLIVE D	4
11	1039808	PIN, CLIP, 14MM	2
12	1039809	PIN-CLEVIS, 1/4 X 3/4 -Y	2
13	1045706	CLIP-EDGE, 1-3mm THICKNESS	1
14	1014060	CABLE-TIE,10-102MM,WEATH.-RES.	1

BRAKES, PEDAL

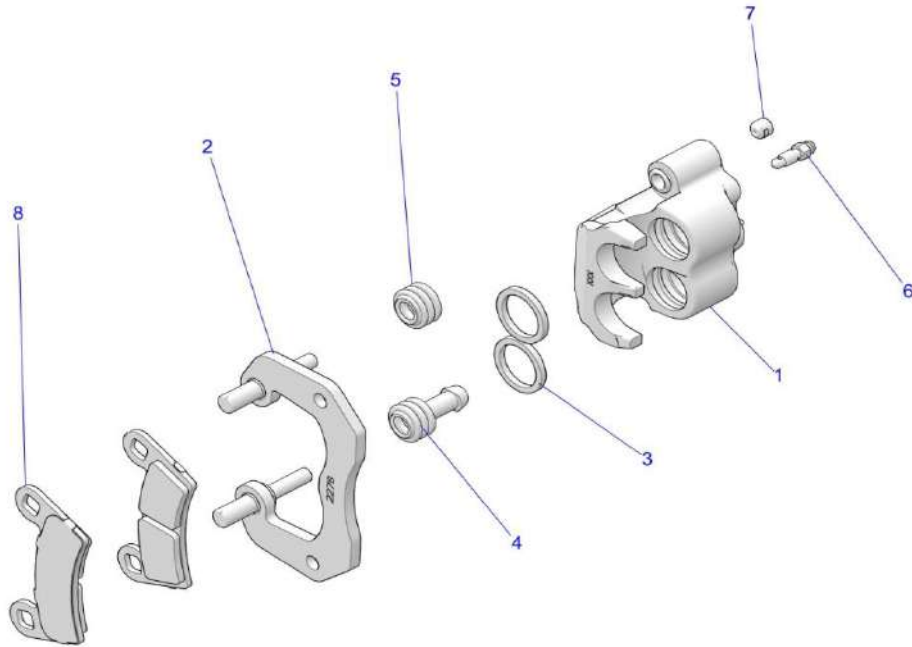
2023 RZR TRAIL S 1000 EPS EU/TRACTOR INTL (R02) - Z23ASE99F4/S99C4/F4



POS	OEM Part #	Part Name	Qty
1	1001526	PEDAL, BRAKE, MATTE BLACK	1
2	1045122	WELD-PEDAL MNT,BLK	1
3	1039776	NUT-5/16-PAL-Y	1
4	1039567	BUSHING, PEDAL, PIVOT	2
5	1014499	NUT- M8X1.25, FLG, NYLOC-OLIVE D	4
6	1045124	BOLT,M5X0.8X10,16.5 SHLD	1
7	1045123	NUT-M5X0.8 8.8 HX/FL NYLOC	1
8	1039821	RING-RETAINING, "E",EXT., .500	1

BRAKES, REAR CALIPER

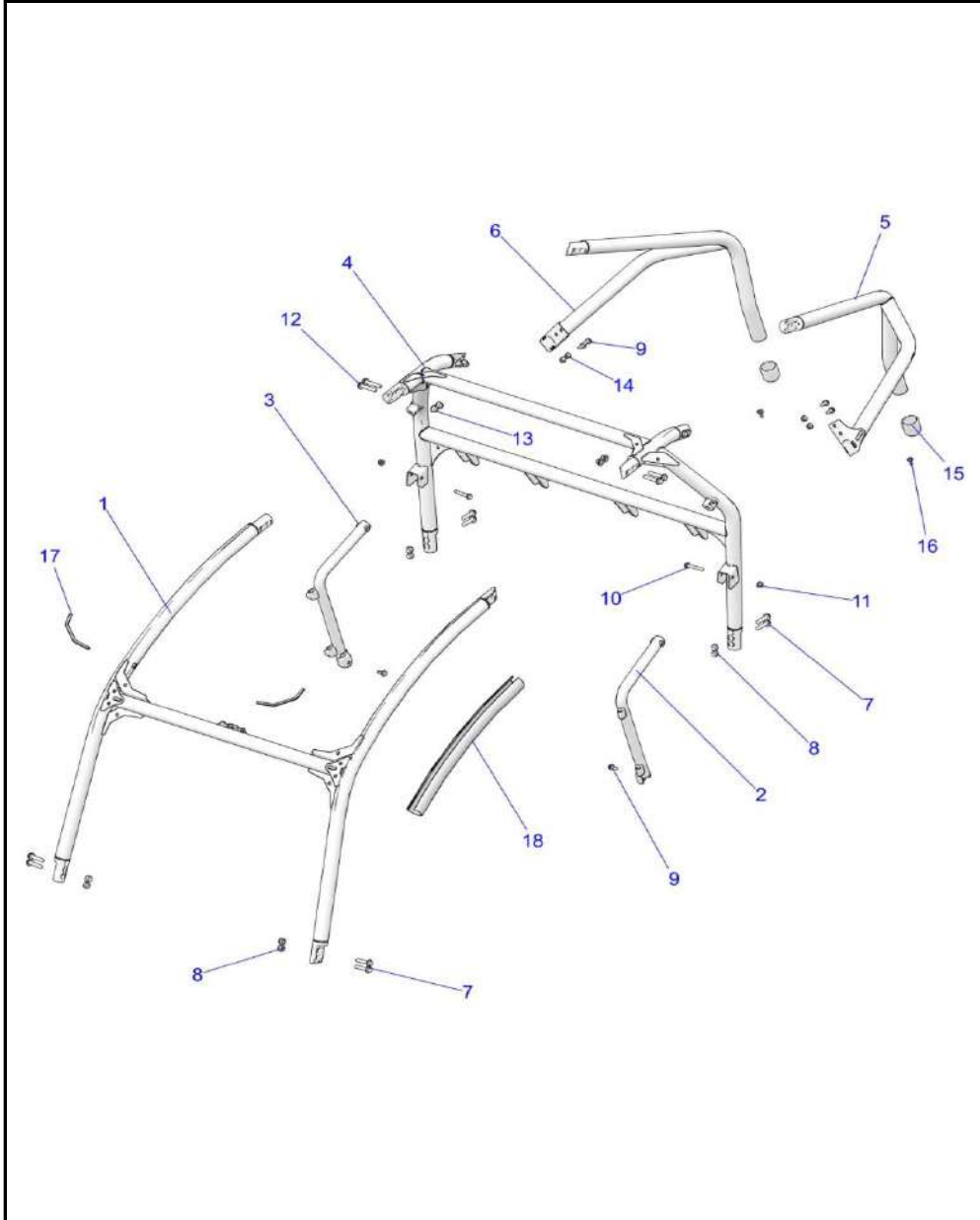
2023 RZR TRAIL S 1000 EPS EU/TRACTOR INTL (R02) - Z23ASE99F4/S99C4/F4



POS	OEM Part #	Part Name	Qty
1	1040225	ASM., BRAKE CALIPER, LH [INCL. ALL]	1
1	1040226	ASM., BRAKE CALIPER, RH [INCL. ALL]	1
2	1040227	ASM-CALIPER MNT,DB,3.0",APX	1
3	1011748	SQUARE RING-MOLDED (.134)	2
4	1011787	BOOT, PIN, BUSHING	1
5	1011788	SHORT CALIPER BOOT	1
6	1014062	SCR-M7X1.0,BLEEDER,OLIVE D	1
7	1014436	SCR-M10X1.0X8,SOC SET-OD	1
8	1005140	KIT, BRAKE PAD, DUAL BORE [INCL. 2 PADS]	1

CHASSIS, CAB FRAME

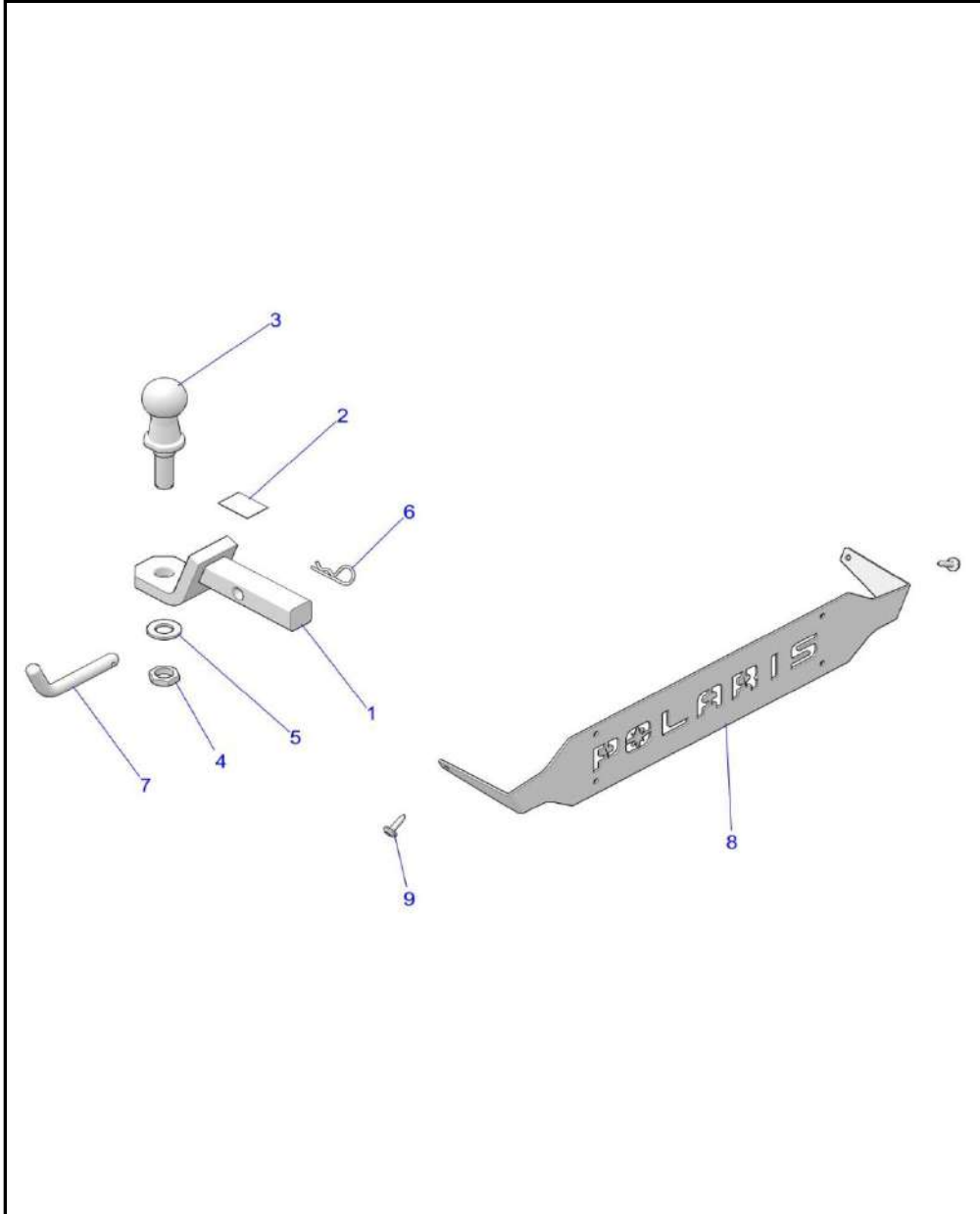
2023 RZR TRAIL S 1000 EPS EU/TRACTOR INTL (R02) - Z23ASE99F4/S99C4/F4



POS	OEM Part #	Part Name	Qty
1	1045628	WELD-ROPS,A PILLAR,BLK	1
2	1001506	WELD-BOLSTER,LH,M.BLK	1
3	1001507	WELD-BOLSTER,RH,M.BLK	1
4	1045629	WELD-ROPS,B PILLAR,EU,BLK	1
5	1045630	WELD-ROPS,B-C PILLAR,LH,EU,BLK	1
6	1045631	WELD-ROPS,B-C PILLAR,RH,EU,BLK	2
7	1014470	SCR-HXFL-M10X1.5X45 10.9 RIE	8
8	1039793	NUT-HEX-M10X1.5 10 ZB3 NYL	8
9	1039670	BOLT-M8X1.25X20,HXHDFLG,W/PTCH	6
10	1040241	SCR-HXFL-M8X1.25X55 8.8 ZB	2
11	1039790	NUT-M8X1.25,FLG,NYLOC-OLIVE D	2
12	1014471	SCR-HXFL-M10X1.25X55 10.9 RIE	8
13	1014500	NUT-M10X1.25, FLG, NYLOC-OLIVE D	8
14	1014499	NUT- M8X1.25, FLG, NYLOC-OLIVE D	4
15	1045632	RETAINER-TUBE, ROPS	2
16	1014459	SCR-TXTH-M6X1.0X25 ZFB [C4]	2
17	1045633	TRIM-EDGE,SCRM,17CM [C4]	2
18	1045634	PAD-STRAP,120X590 [C4]	1

CHASSIS, HITCH

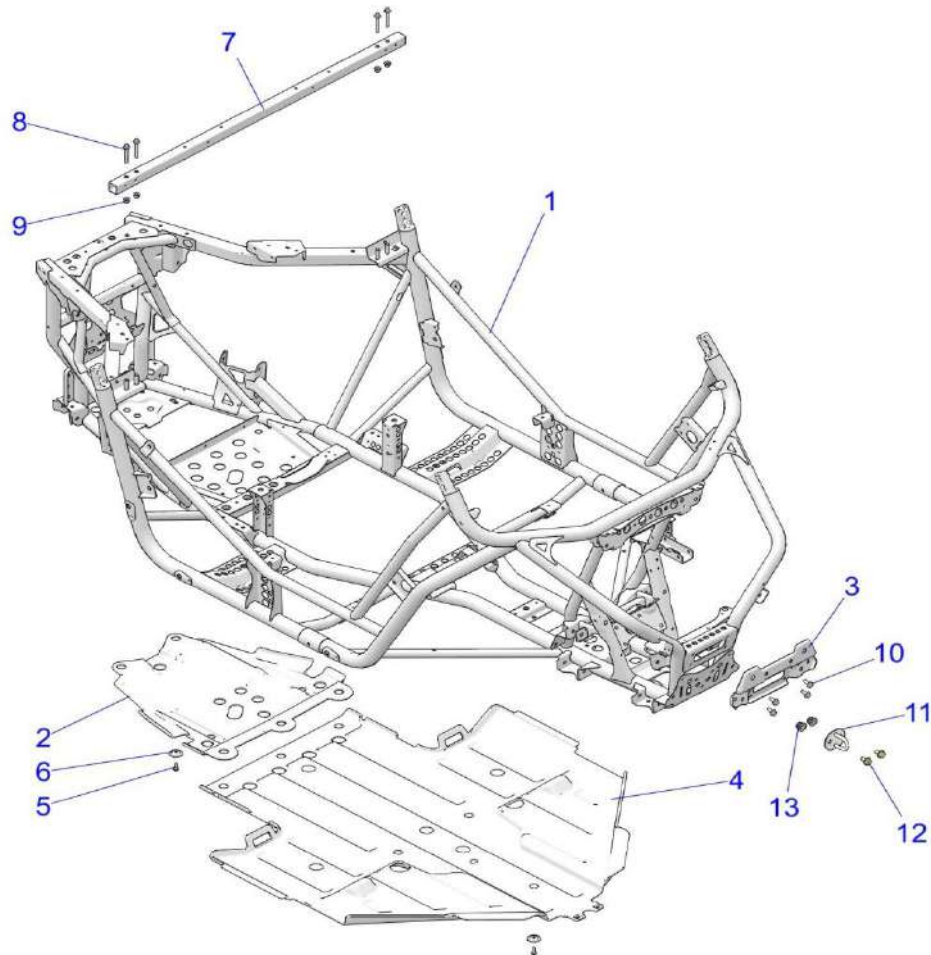
2023 RZR TRAIL S 1000 EPS EU/TRACTOR INTL (R02) - Z23ASE99F4/S99C4/F4



POS	OEM Part #	Part Name	Qty
1	1045635	ASM-HITCH WELD,REG 55,TRC [INCL. 1-7]	1
1	1045636	WELD-HITCH,DRAWBAR,M.BLK	1
2	1040146	DECAL-HITCH,ATV,CERTIFD,REG55	1
3	1040148	K-BALL,REAR,TRC/ZUG,R55 [INCL. 3-5]	1
3	1040149	HITCH-BALL,REG 55,ATV,TRC/ZUG	1
4	1040239	NUT-HEX,M20X1.5X10	1
5	1040151	WASHER-3/4IN,HARDENED	1
6	1040152	CLIP-HITCHPIN .148X3 1/16	1
7	1040153	PIN, CLEVIS, BOX LIFT 2"	1
8	-----	BRKT-LICENSE PL FRONT RZR,BLK	1
9	1014459	SCR-TXTH-M6X1.0X25 ZFB	2

CHASSIS, MAIN FRAME AND SKID PLATE

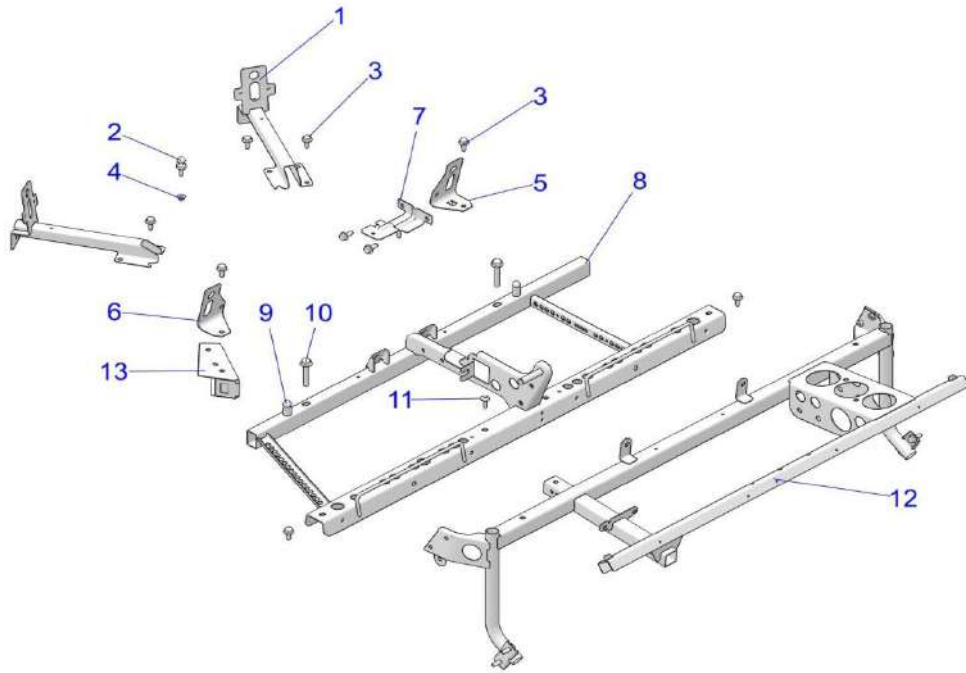
2023 RZR TRAIL S 1000 EPS EU/TRACTOR INTL (R02) - Z23ASE99F4/S99C4/F4



POS	OEM Part #	Part Name	Qty
1	-----	WELD-MAIN FRAME,BLK	1
2	1045638	PLATE-SKID,REAR,BLK	1
3	1029999	BRACKET, SUSPENSION, MOUNT, FRONT, MATTE BLACK	1
4	1045639	PLATE-SKID,BLK	1
5	1039683	SCR-M6X1.0X20, HXHD, FLG, TDFM, BK	10
6	1039802	WASHER, PLATE, SKID	10
7	1045640	ASM-TUBE, TOP FRAME, ECOAT	1
8	1040247	SCR-M8X1.25X55, HX/FL-Y	4
9	1014499	NUT- M8X1.25, FLG, NYLOC-OLIVE D	4
10	1039688	SCR-TFHFL-M8X1.25X20 CHS ZOD	AR
11	1040254	WELD-TOW HOOK,BLK [C4]	1
12	1039718	SCR-M12X1.75X25 8.8 HXFL ZOD [C4]	2
13	1040256	NUT-HXFL M12X1.75 8 ZOD NYL [C4]	2

CHASSIS, MAIN FRAME MOUNTS

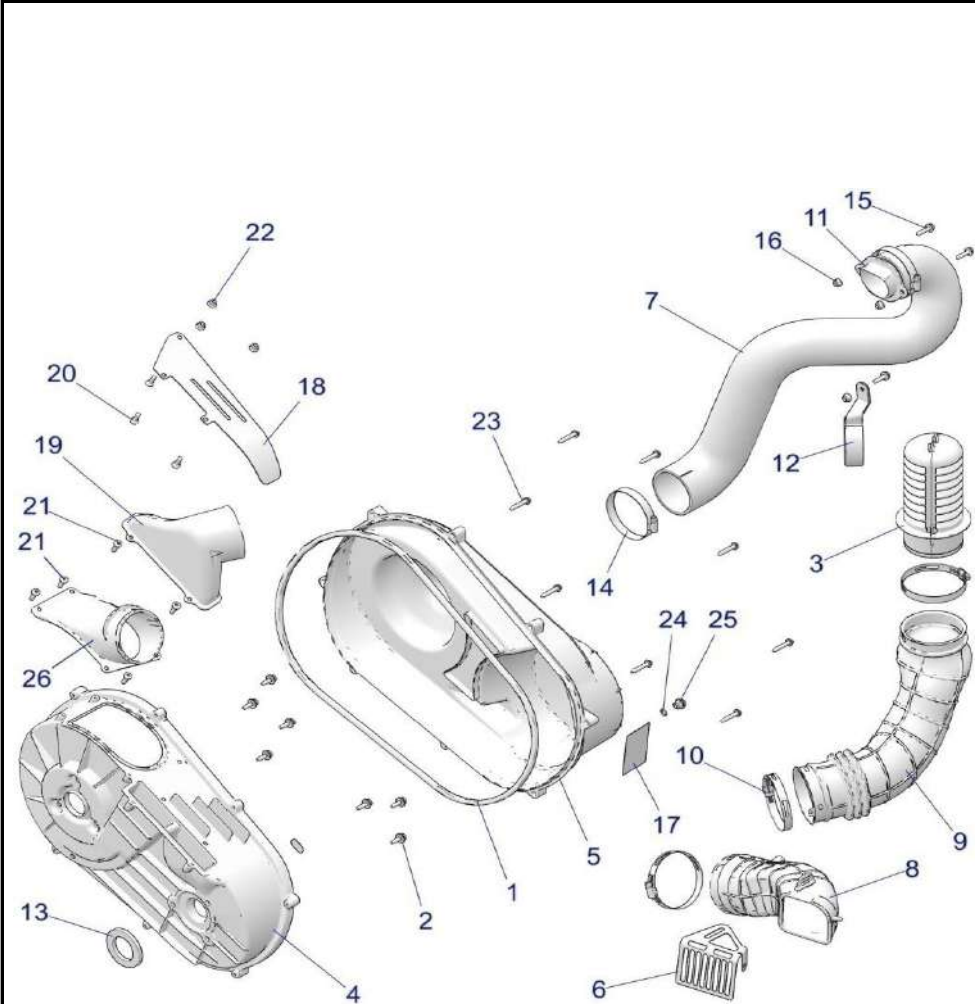
2023 RZR TRAIL S 1000 EPS EU/TRACTOR INTL (R02) - Z23ASE99F4/S99C4/F4



POS	OEM Part #	Part Name	Qty
1	1040249	MOUNT, BODY, MATTE BLACK	2
2	1039506	PLUNGER, BOX, LATCH	1
3	1039688	SCR-TFHFL-M8X1.25X20 CHS ZOD	AR
4	1039784	NUT-M6X1.0, FLG-NYLOC-OLIVE D	1
5	1040250	TIEDOWN, FRONT, LH, MATTE BLACK	1
6	1040251	TIEDOWN,FRONT,RH,BLK	1
7	1040252	MOUNT, COIL, MATTE BLACK	1
8	1040253	WELD-SEAT BASE,BLK	1
9	1045134	LATCH, PLUNGER, SEAT	2
10	1039673	SCR-HXFL-M10X1.5X55 8.8 ZY3	2
11	1014459	SCR-TXTH-M6X1.0X25 ZFB	2
12	1045133	WELD-DASH,TURBO,S,ECOAT	1
13	1045641	SHIELD-BOX MOUNT	1

DRIVE TRAIN, CLUTCH COVER AND DUCTING

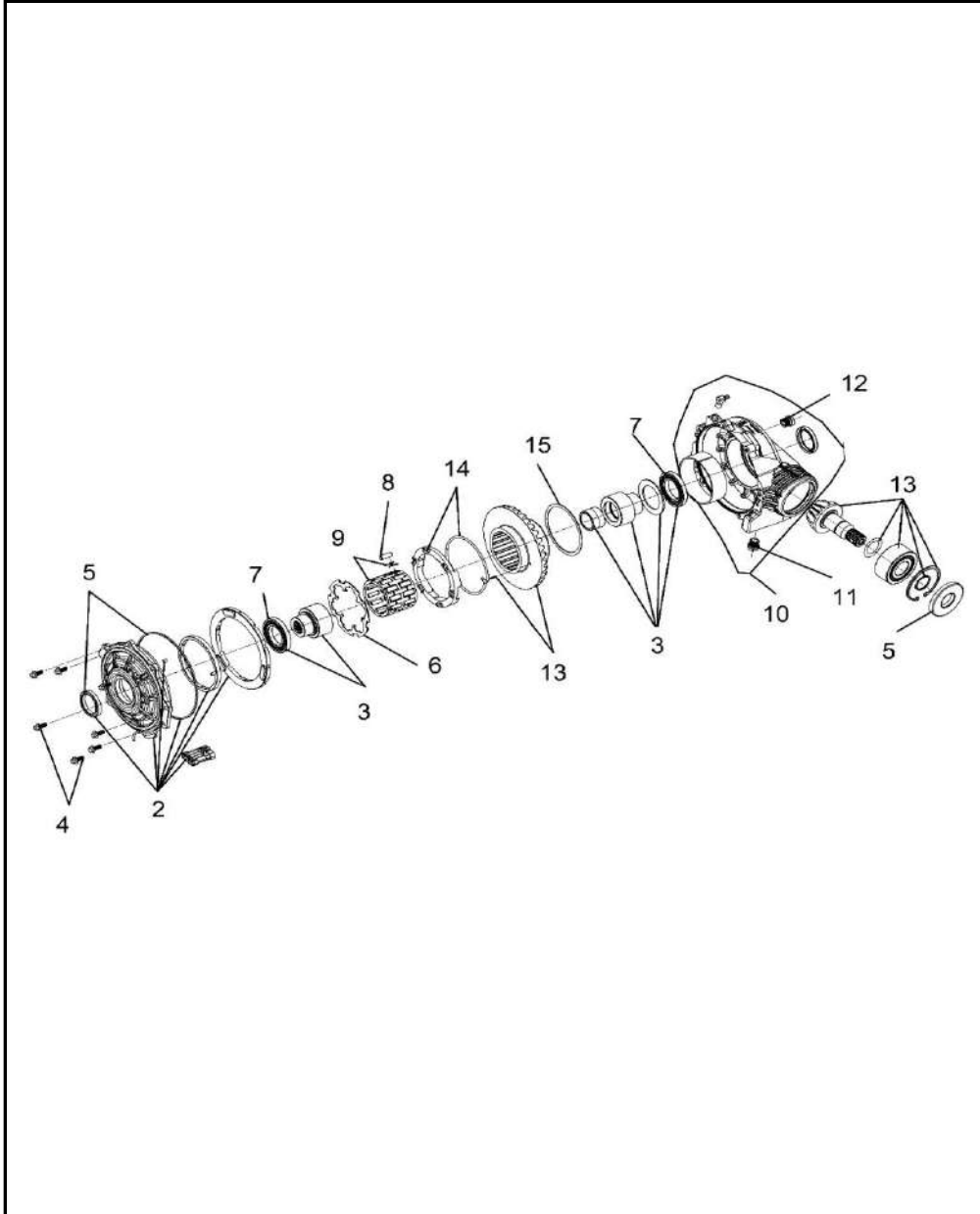
2023 RZR TRAIL S 1000 EPS EU/TRACTOR INTL (R02) - Z23ASE99F4/S99C4/F4



POS	OEM Part #	Part Name	Qty
1	1045139	SEAL, COVER, CLUTCH, OUTER	1
2	1014451	SCR-TFHFL-M6X1.0X20 S/R ZOD	7
3	1040257	ASM., INTAKE, CLUTCH DUCT	1
4	1040261	ASM., COVER, CLUTCH, INNER [INCL. 18-22,26]	1
5	1045642	K-CVR,CLUTCH,OTR,GENERAL [INCL. 6,7,17]	1
6	1040263	BRACKET, SCREEN, BELT	1
7	1045643	HOSE-CLUTCH INTAKE,SP	1
8	1040264	HOSE, CLUTCH, AIR OUTLET	1
9	1040265	HOSE, CLUTCH, AIR INLET	1
10	1040260	CLAMP, HOSE SLOTTED, 89-100 DIA	3
11	1039578	BOOT, PLASTIC, INTAKE	1
12	1045644	CLAMP-P,LARGE	1
13	1034416	SEAL, COVER, PTO	1
14	1039623	CLAMP,HOSE,3.75,SS	2
15	1039684	BOLT, HEXHEAD, FLANGE, BLACK	3
16	1039784	NUT-M6X1.0, FLG-NYLOC-OLIVE D	3
17	1039641	DECAL-BELT,WARNING/CHECK	1
18	1039513	BRACKET, GUARD, CLUTCH COVER	1
19	1040262	DUCT, CLUTCH, AIR INLET	1
20	1039685	SCR-M6X1.0X20MM,TX,PH,8.8-B	3
21	1039734	SCR-#14X3/4 HI/LO-PH-PN TRX-M	5
22	1039789	NUT-HXFL-M6X1.0 8 ZB3 NYL	3
23	1039748	SCREW-NXFL-M6X35 ZOD HILO	8
24	1039532	O-RING, MOLDED Substituted by 5411432	1
25	1011827	PLUG, DRAIN, CLUTCH COVER	1
26	1045140	DUCT, CLUTCH, AIR OUTLET	1

DRIVE TRAIN, FRONT GEARCASE

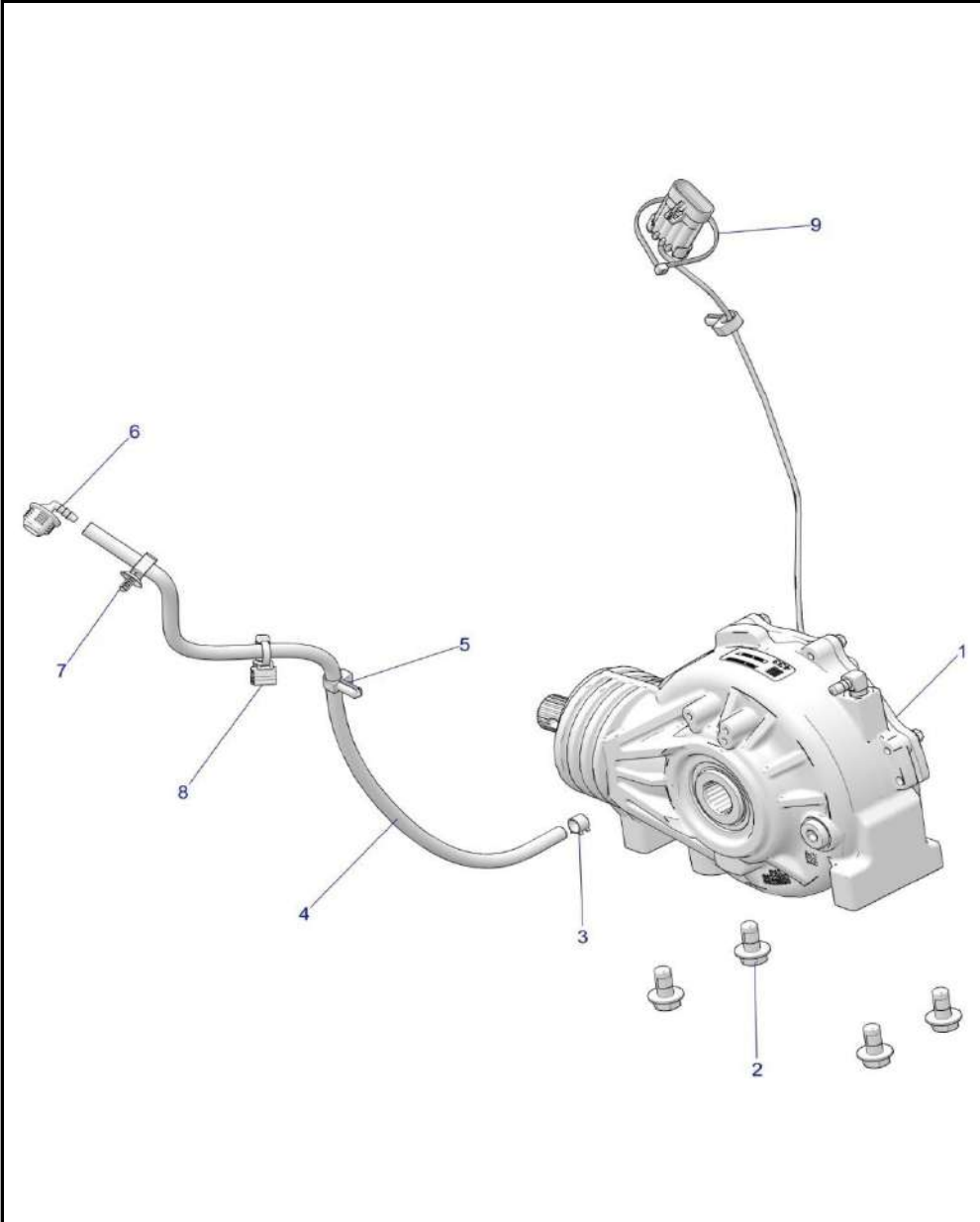
2023 RZR TRAIL S 1000 EPS EU/TRACTOR INTL (R02) - Z23ASE99F4/S99C4/F4



POS	OEM Part #	Part Name	Qty
1	1045141	ASM-GEARCASE,FRONT [INCL. ALL]	1
2	1045645	ASM., COVER OUTPUT	1
3	1045144	ASM., OUTPUT HUB	1
4	1039461	KIT, COVER FASTENERS [INCL. 7 FASTENERS]	1
5	1033156	COMPLETE SEAL REPAIR	1
6	1039476	PLATE, ARMATURE, 4WD	1
7	1045647	BEARING, PINION	1
8	1039462	KIT, CLUTCH, ROLLERS [INCL. FULL ROLLER SET OF 24]	1
9	1045648	ASM., ROLLER CAGE [INCL. ROLL CAGE AND 24 H-CLIPS]	1
10	1045649	ASM., GEARCASE	1
11	1005147	KIT, PLUG, DRAIN	1
12	1005148	KIT, PLUG, FILL	1
13	1045147	ASM-GEAR HOUSING & PINION	1
14	1039464	TORSION SPRING & RETAINER	1
15	1039439	SPACER-RING GEAR	1

DRIVE TRAIN, FRONT GEARCASE MOUNTING

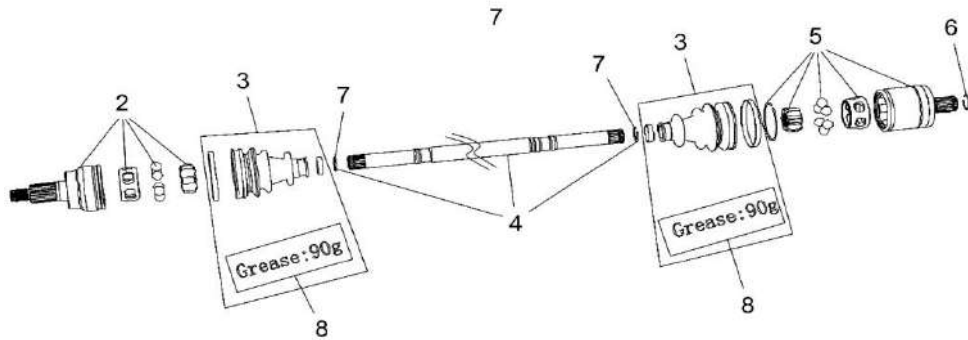
2023 RZR TRAIL S 1000 EPS EU/TRACTOR INTL (R02) - Z23ASE99F4/S99C4/F4



POS	OEM Part #	Part Name	Qty
1	-----	ASM., GEARCASE, FRONT	1
2	1039672	SCR-HXFL-M10X1.5X20 8.8 Z NYL	4
3	1039613	CLAMP-HOSE, (LARGE GREEN)	1
4	1045148	LINE-BOOST,3/16 ID,85 CM	1
5	1039816	CLIP-SILENCER BOX-C,98 INDY [C4 QTY. 1]	2
6	1045149	FITTING-VENT LINE,90	1
7	1039817	CLIP, ROUTING, .472 B.D., HINGED	1
8	1040381	CLIP, EDGE, HARNESS	1
9	1039612	PANDUIT STRAP	1

DRIVE TRAIN, FRONT HALF SHAFT

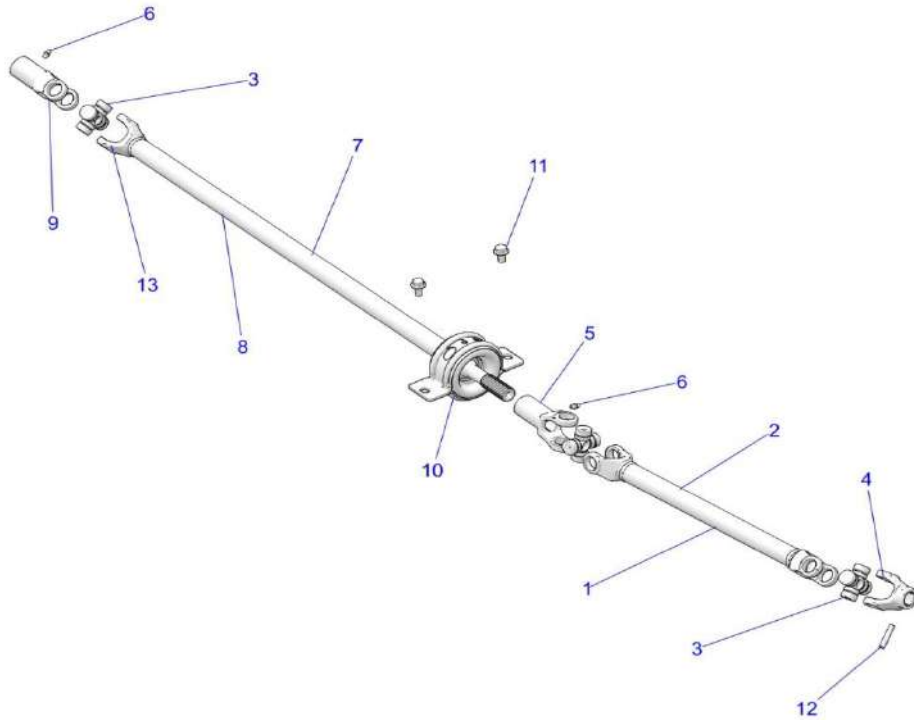
2023 RZR TRAIL S 1000 EPS EU/TRACTOR INTL (R02) - Z23ASE99F4/S99C4/F4



POS	OEM Part #	Part Name	Qty
1	1045650	ASM., HALFSHAFT, FRONT, 60 [INCL. ALL]	2
2	1007485	JOINT, OUTER	1
3	1045154	KIT-BOOT, PLUNGING JNT (PR-8062)	2
4	1007486	SHAFT (PR-8611)	1
5	1005166	ASM-INNER JOINT	1
6	1045651	CIRCLIP-1.6X24.4, PR-2025	1
7	1045155	CIRCLIP-1.8X22.2 (PR-3011)	2
8	1040346	GREASE (K575/VW738)	2

DRIVE TRAIN, FRONT PROP SHAFT

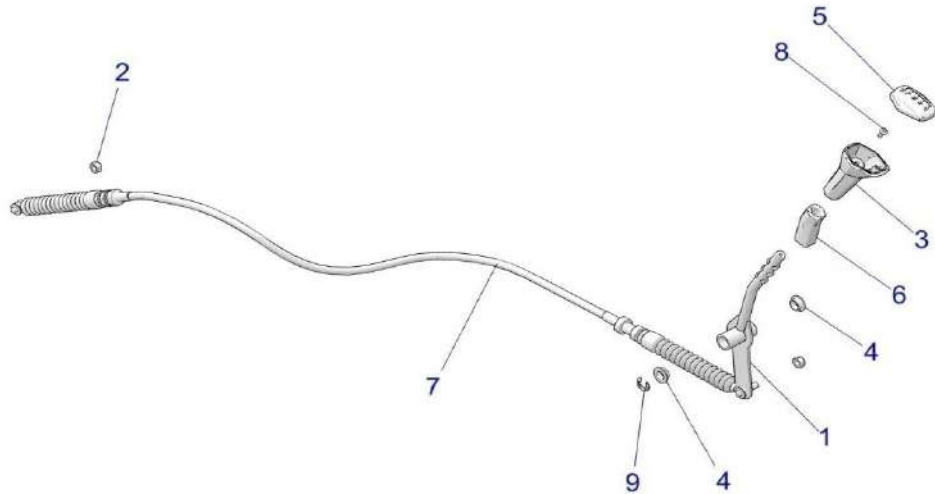
2023 RZR TRAIL S 1000 EPS EU/TRACTOR INTL (R02) - Z23ASE99F4/S99C4/F4



POS	OEM Part #	Part Name	Qty
1	1040295	ASM., PROPSHAFT, FRONT [INCL. 2-6, QTY 2 of REF. 13]	1
2	1040296	PROPSHAFT, FRONT	1
3	1007461	U-JOINT, 1000 SERIES	3
4	1040297	YOKE, PIN	1
5	1040298	YOKE, SLIP, INDEXED	1
6	1039615	FITTING-LUBRICATION 1/4-28	2
7	1040299	ASM., PROPSHAFT, REAR [INCL. QTY 1 of REF. 3,6-10, QTY 1 of REF. 13]	1
8	1040300	PROPSHAFT, REAR	1
9	1040301	YOKE, SLIP	1
10	1033795	ASM., BEARING, FLEX	1
11	1039672	SCR-HXFL-M10X1.5X20 8.8 Z NYL	2
12	1039810	PIN-SPRING,5/16 X 1 5/8-Y	1
13	1045652	YOKE, WELD	4

DRIVE TRAIN, GEAR SELECTOR

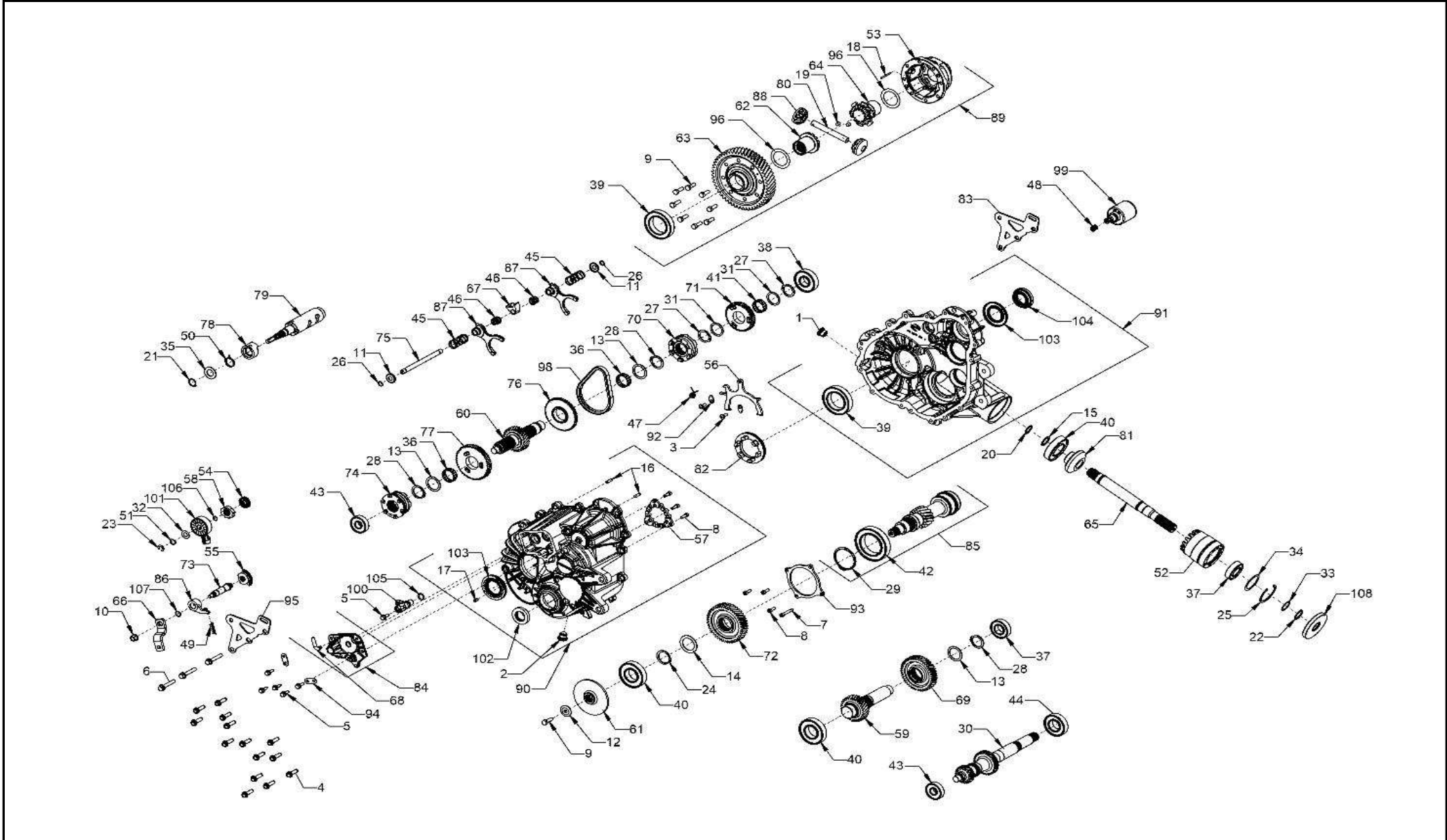
2023 RZR TRAIL S 1000 EPS EU/TRACTOR INTL (R02) - Z23ASE99F4/S99C4/F4



POS	OEM Part #	Part Name	Qty
1	1039364	WELD-SHIFT LEVER	1
2	1039779	NUT,NYLOCK M8X1.25(10)	2
3	1011805	KNOB, GEAR SELECTOR, SHIFT	1
4	1039567	BUSHING, PEDAL, PIVOT	2
5	1011892	COVER, SHIFT	1
6	1039580	SPACER, BOOT	1
7	1014075	CABLE, SHIFT [TO 6/13/2022]	1
7	-----	CABLE-SHIFT INTL HEAT SLEEVE [FROM 6/13/2022]	1
8	1039654	SCR-#10-24X1/2PH/TORX-TRIRD-Y	1
9	1039821	RING-RETAINING, "E",EXT., .500	1

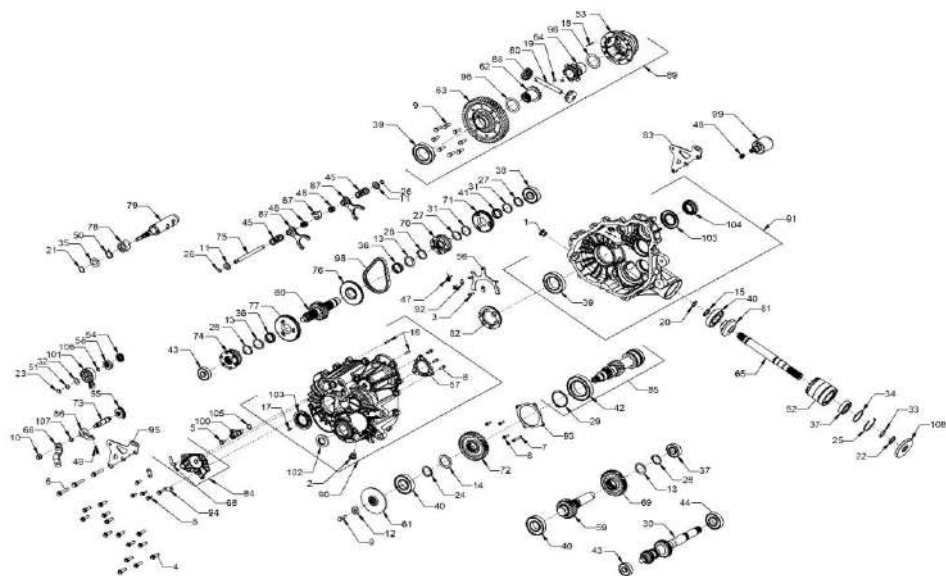
DRIVE TRAIN, MAIN GEARCASE INTERNALS

2023 RZR TRAIL S 1000 EPS EU/TRACTOR INTL (R02) - Z23ASE99F4/S99C4/F4



DRIVE TRAIN, MAIN GEARCASE INTERNALS

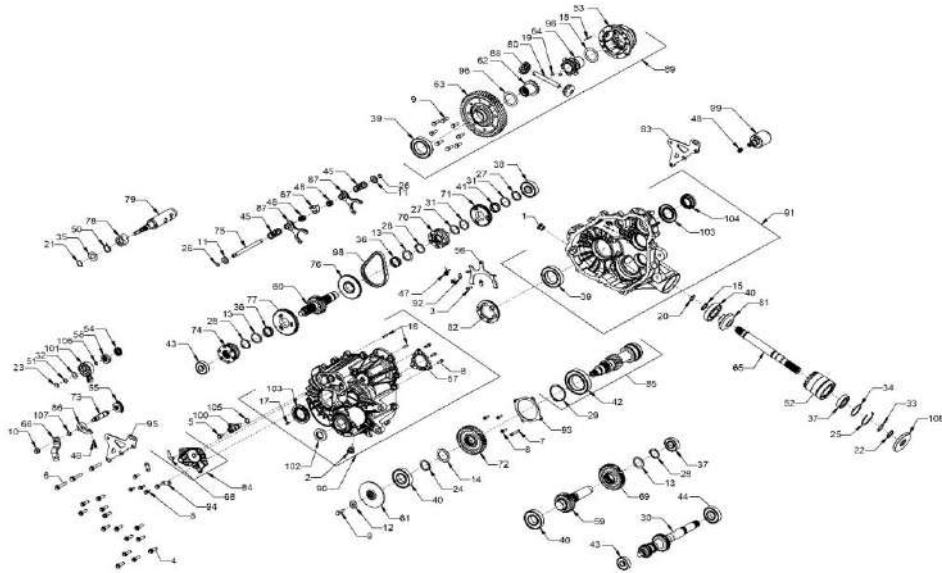
2023 RZR TRAIL S 1000 EPS EU/TRACTOR INTL (R02) - Z23ASE99F4/S99C4/F4



POS	OEM Part #	Part Name	Qty
	1045671	ASM-GEARCASE,COMPLETE,DIFF,PB [INCL. ALL]	1
1	1034629	PLUG, SOCKET HEAD	1
2	1007449	PLUG, SOCKET HEAD W/MAGNET	1
3	1040304	SCREW, 6-LOBE, PAN HD M6 X 1 X 16	2
4	1039441	SCREW, HEX FLANGE HEAD, M8 X 1.25 X 30	14
5	1039443	SCREW, HEX FLANGE HEAD, M6 X 1 X 20	6
6	1039444	SCREW, HEX FLANGE M8 X 50	3
7	1039445	SCREW, SOCKET HEAD, CAP, M6 X 1.0 X 40	1
8	1039458	SCREW, SOCKET HEAD, CAP, M6 X 1.0 X 18	3
9	1045656	SCREW, CAP HH M8 X 1.25 X 25	9
10	1039446	NUT, LOCK HEX FLANGE, NYLON M8 X 1.25	1
11	1039308	WASHER, CUP	2
12	1040307	WASHER, BELLEVILLE 42140 X 1.25 X 0.09	1
13	1039447	WASHER-32.3X42X1.5(115288)	3
14	1007454	WASHER-35.6X57X1.5(115289)	1
15	1045163	WASHER, 22.5 X 30 X 1.5	1
16	1039438	PIN, DOWEL, 6 X 20	2
17	1039604	PIN, SPRING, SLOTTED 6 X 12	1
18	1045657	PIN, DOWEL 3 X 40	1
19	1045658	PIN, DOWEL 8 X 10	2
20	1045164	RING, RETAINING BASIC EXTERNAL	1
21	1039310	RING, RETAINING BASIC, EXTERNAL 0.75	1
22	1039421	RING, RETAINING BASIC, EXTERNAL 0.984	1
23	1039426	RING, RETAINING BASIC EXTERNAL	1
24	1007433	RING, RETAINING, SHAFT, DIA. 1.375	1
25	1039432	RING, RETAINING BASIC, INTERNAL 2.047	1
26	1039428	RING, RETAINING BASIC, EXTERNAL 0.428	2
27	1039430	RING, RETAINING,	2
28	1039451	RING, RETAINING BASIC, EXTERNAL MSR-32	3
29	1039311	RING-RETAIN,VSH-237(130298)	1

DRIVE TRAIN, MAIN GEARCASE INTERNALS

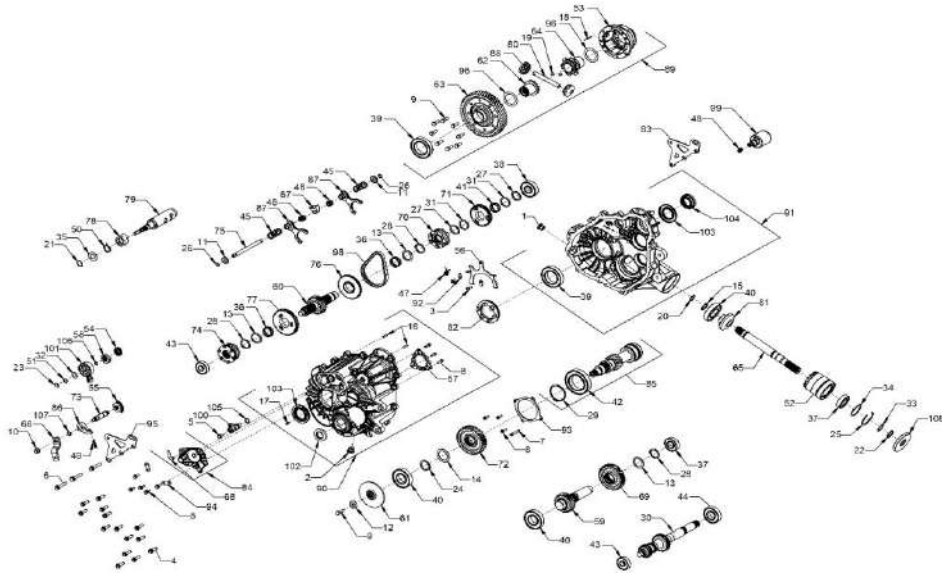
2023 RZR TRAIL S 1000 EPS EU/TRACTOR INTL (R02) - Z23ASE99F4/S99C4/F4



POS	OEM Part #	Part Name	Qty
30	1040308	SHAFT, BOSS, LOWER, INPUT	1
31	1039423	WASHER, THRUST, 1.187 X 1.500 X .0600	2
32	1039440	WASHER, THRUST, 0.446 X 0.88 X 0.025	1
33	1039433	SHIM, 1.180 OD X 0.995 ID	1
34	1039434	SHIM, 2.040 OD X 1.63 ID	1
35	1039312	SPACER, 19.4 X 34.0 X 2.0	1
36	1039419	BEARING, NEEDLE, CAGE ASSY	2
37	1007432	BEARING, BALL 6205 C3 25 X 52 X 15	2
38	1039313	BEARING, BALL, 6305 C3, 25 X 62 X 17	1
39	1039314	BEARING, BALL 6010 C3 50 X 80 X 10	2
40	1007437	BEARING, BALL 6207 C3 35MMX72MMX17MM	3
41	1039424	BEARING-NEEDLE,30X35X13-CAGED	1
42	1039309	BEARING, BALL, 6012 C3 60 X 95 X 18	1
43	1007445	BEARING, BALL 6303, 17 X 47 X 14	2
44	1007460	BEARING, BALL 6206RSH2 STD 30 X 62 X 16	1
45	1039291	SPRING, COMPRESSION, .92 O.D. X 2.000	2
46	1039292	SPRING, COMPRESSION, 0.46 I.D. X 0.73	2
47	1040313	SPRING, TORSION, RETURN	1
48	1040314	SPRING, COMPRESSION 0.54 O.D. X 0.44 I.D. X 0.05 WIRE	1
49	1007444	SPRING, COMPRESSION 0.36 O.D. X 1.125	1
50	1039293	SPRING, TORSION	1
51	1039456	WASHER-SPRING,210393	1
52	1039435	TUBE, SNORKEL MACHINED	1
53	1045659	CARRIER, DIFFERENTIAL MACH	1
54	1039294	GEAR, SECTOR, 16T	1
55	1039295	SWITCH, ROTARY, 6 PIN	1
56	1040315	FORK, PIVOT SHIFT, REAR DIFF	1
57	1039296	PLATE, PARK, 12 FACE	1
58	1039297	STAR, DETENT,	1
59	1007455	SHAFT-IDLER,29T(285803)	1

DRIVE TRAIN, MAIN GEARCASE INTERNALS

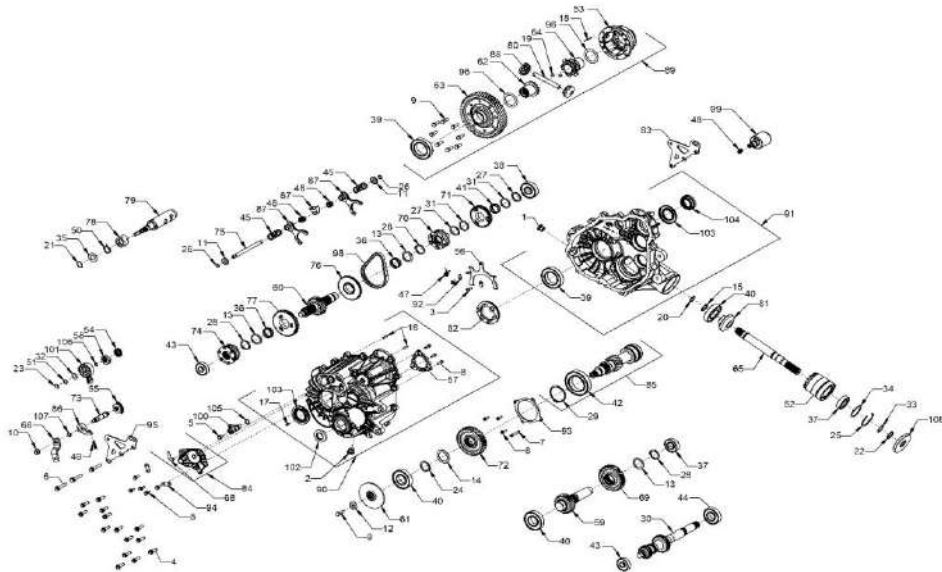
2023 RZR TRAIL S 1000 EPS EU/TRACTOR INTL (R02) - Z23ASE99F4/S99C4/F4



POS	OEM Part #	Part Name	Qty
60	1040316	SHAFT, REVERS,E 29T	1
61	1040317	DISC, BRAKE	1
62	1045660	GEAR, 14T OUTPUT, MACH	1
63	1045661	GEAR, 53T OUTPUT	1
64	1045662	GEAR, 14T OUTPUT DISCONNECT, MACH	1
65	1045165	SHAFT, FRONT OUTPUT	1
66	1040318	BELLCRANK, 92 DEG	1
67	1039300	COLLAR, SHIFT,	1
68	1039431	TUBE, VENT 90 -1/4 INCH HOSE	1
69	1040320	GEAR-44T,STAGE2(352842)	1
70	1039301	ENGAGEMENT DOG,6-FACE(352857)	1
71	1039302	GEAR-53T(352858)	1
72	1007456	GEAR-46T,STAGE 3(352872)	1
73	1039455	WELDMENT, REAR MOUNT BRACKET	1
74	1039303	SHIFT DOG, PARK/LOW (353357)	1
75	1039304	RAIL-SHIFT SHAFT(353622)	1
76	1007463	SPROCKET-48T,6-FACE REVERSE	1
77	1040321	GEAR, LOW 64T,	1
78	1039471	CAM, PARK	1
79	1039472	DRUM, SHIFT MACH,	1
80	1045663	PIN, DIFFERENTIAL	1
81	1045166	GEAR, 13T SNORKEL	1
82	1045664	DOG, ENGAGEMENT	1
83	1040322	WELDMENT REAR MOUNT BRACKET63 [INCL. ALL HARDWARE]	1
84	1039468	SUBASSEMBLY, SECTOR COVER [INCL. BEARING, RET. RING]	1
85	1040329	SUBASM., PINION, 11T	1
86	1007457	SUBASSEMBLY, PAWL, DETENT, ROLLER [INCL. ALL HARDWARE]	1
87	1039307	SUBASSEMBLY, SHIFT FORK	2
88	1045665	SUBASSEMBLY, PINION GEAR [INCL. ALL HARDWARE]	2
89	1045666	SUBASSEMBLY, DIFFERENTIAL	1

DRIVE TRAIN, MAIN GEARCASE INTERNALS

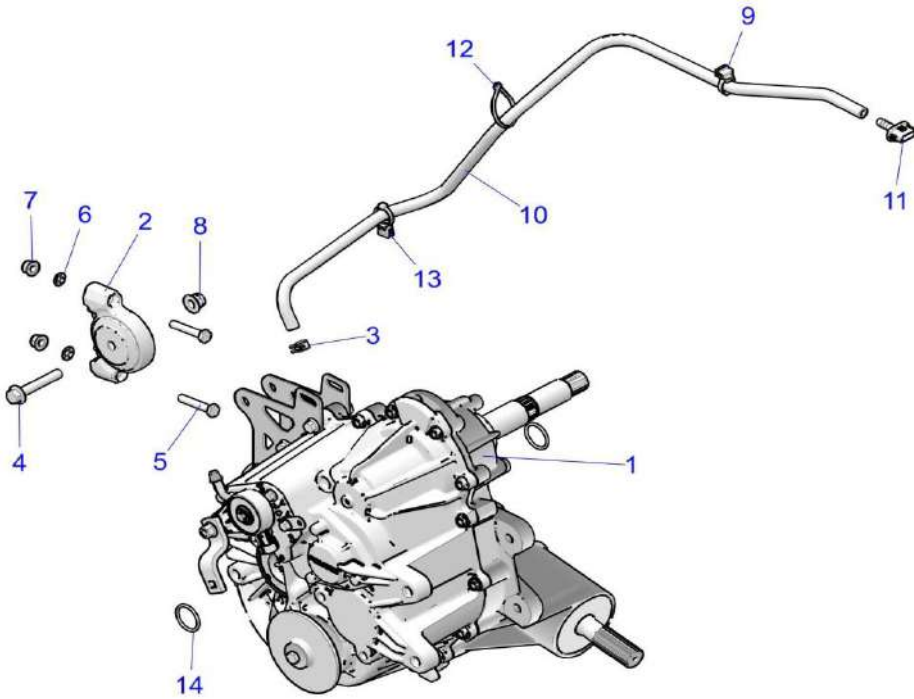
2023 RZR TRAIL S 1000 EPS EU/TRACTOR INTL (R02) - Z23ASE99F4/S99C4/F4



POS	OEM Part #	Part Name	Qty
90	1045667	SUBASSEMBLY, RH COVER	1
91	1045668	SUBASSEMBLY, LH CASE	1
92	1040332	CROEVTAEIRNER, FORK [CENTER DRIVE]	2
93	1039317	COVER-BEARING,CNTR DR.	1
94	1039459	BRACKET, WIRE HARNESS	2
95	1040333	BRACKET, MOUNT, REAR	1
96	1045670	WASHER, THRUST, 40.83 X 56.25 X 0.38	2
98	1007447	CHAIN, SILENT, TYPE 101, .25P X .40W X 58L	1
99	1007458	SOLENOID	1
100	1028617	SENSOR-SPEED,TRANS	1
101	1039315	SWITCH, ROTARY , 2 PIN RESISTIVE	1
102	1007451	SEAL, TRIPLE LIP, 0.984 X 1.85 X 0.315 VITON	1
103	1007453	SEAL, TRIPLE LIP, VITON HELIX 40X70X7	2
104	1007459	SEAL, TRIPLE LIP, VITON HELIX 30 X 47	1
105	1039436	O-RING	1
106	1039316	O-RING, -012 VITON	1
107	1039425	O-RING, -014 VITON	1
108	1007438	SEAL, TRIPLE LIP VITON 25 X 80 X 10	1

DRIVE TRAIN, MAIN GEARCASE MOUNTING

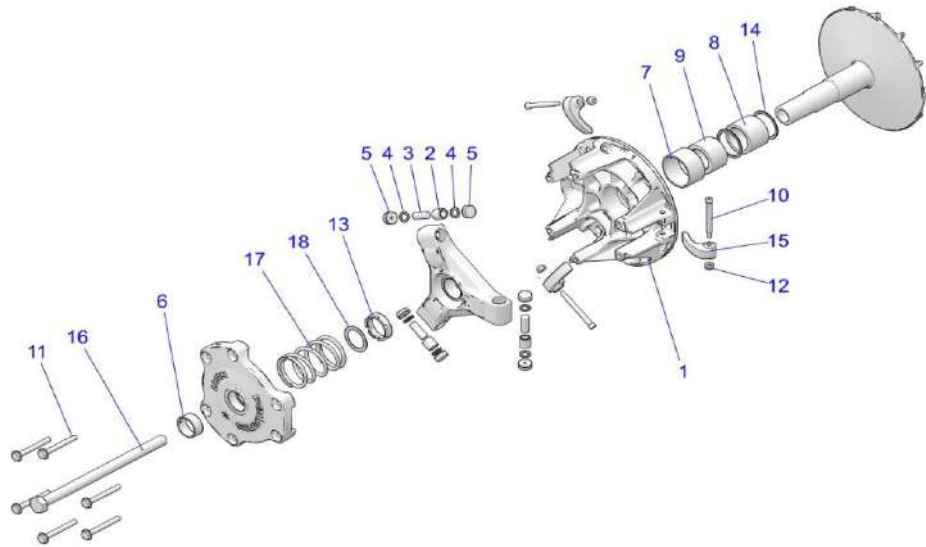
2023 RZR TRAIL S 1000 EPS EU/TRACTOR INTL (R02) - Z23ASE99F4/S99C4/F4



POS	OEM Part #	Part Name	Qty
1	1045671	ASM-GEARCASE,COMPLETE,DIFF,PB	1
2	1039356	MOUNT, ISOLATOR, DRIVELINE	1
3	1039630	CLAMP-HOSE, 17/32, GREEN	1
4	1039694	SCR-HXFL-M10X1.25X60 8.8 ZOD	1
5	1039723	SCREW-HH M8X1.25X45 8.8 ZOD	2
6	1039776	NUT-5/16-PAL-Y	2
7	1014499	NUT- M8X1.25, FLG, NYLOC-OLIVE D	2
8	1014500	NUT-M10X1.25, FLG, NYLOC-OLIVE D	1
9	1045706	CLIP-EDGE, 1-3mm THICKNESS	1
10	1039914	FUEL LINE 1/4" SAE #30R7, 100CM	1
11	1045673	FITTING-VENT LINE	1
12	1014060	CABLE-TIE,10-102MM,WEATH.-RES.	1
13	1039635	STRAP - CABLE TIE W/ EDGE CLIP	1
14	1045674	O-RING,28.24X2.62,VITON,60A	2

DRIVE TRAIN, PRIMARY CLUTCH

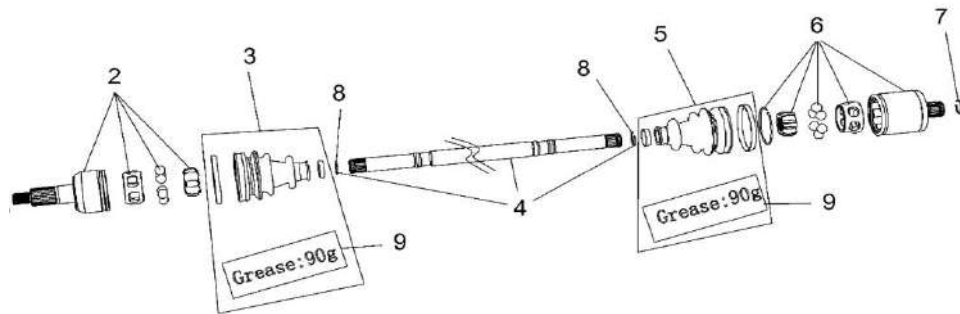
2023 RZR TRAIL S 1000 EPS EU/TRACTOR INTL (R02) - Z23ASE99F4/S99C4/F4



POS	OEM Part #	Part Name	Qty
1	1045169	ASM., DRIVE CLUTCH, BASIC, BEARING [INCL. 2-14]	1
2	1002820	ASM., ROLLER AND BUSHING, 26-59	3
3	1010979	PIN-ROLLER,(10) Substituted by 5133079	3
4	1011840	WASHER, CLUTCH, SPIDER ROLLER	6
5	1011909	BUTTON, CLUTCH, RUBBER BACKED	6
6	1008784	BEARING, COVER,(10)	1
7	1008438	BEARING-DU,1.75ID	1
8	1008439	BEARING, NEEDLE	1
9	1012197	SPACER, CLUTCH, TALL, PM	1
10	1014426	SCR-SH-1/4X2 SAE4037 BLKX&OIL	3
11	1014432	SCR-1/4-20X2 1/4 HX FLNG GR5-Y	6
12	1014495	NUT-10-24-FLEX LOC-Z	3
13	1014506	NUT, JAM	1
14	1014526	Washer, Clutch, Vespel	2
15	1045679	WEIGHT-SHIFT,29-66,PM	3
16	1045170	SCR-HXFL-M14X1.5X215 10.9 SPC	1
17	1045171	SPRING-CLUTCH,58-135	1
18	1011851	SPACER, CLUTCH, LIMITER	1

DRIVE TRAIN, REAR HALF SHAFT

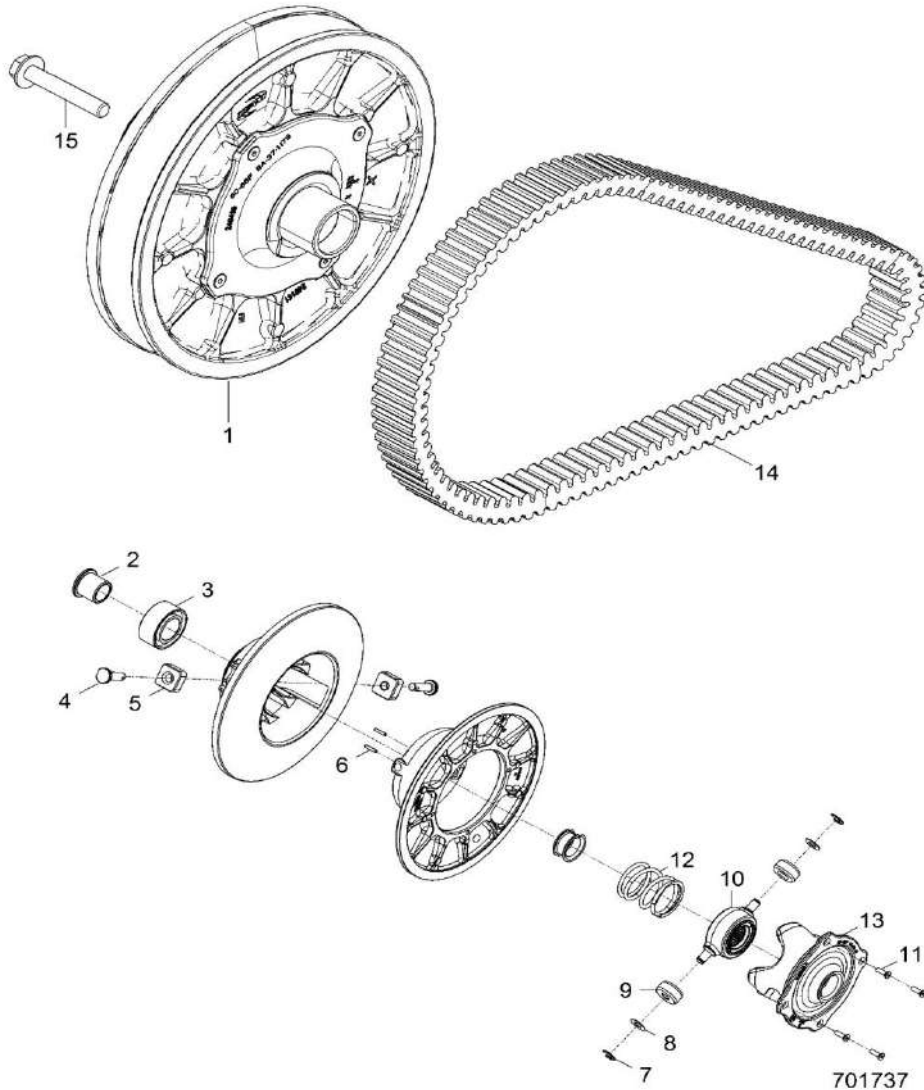
2023 RZR TRAIL S 1000 EPS EU/TRACTOR INTL (R02) - Z23ASE99F4/S99C4/F4



POS	OEM Part #	Part Name	Qty
1	1045680	ASM., HALFSHAFT, REAR [INCL. ALL]	2
2	1007487	JOINT, OUTER	1
3	1045152	K - BOOT, OUTER	1
4	1045681	BAR, HALFSHAFT	1
5	1045682	K - BOOT, INNER	1
6	1039230	JOINT, INNER [INCL. CIRCLIPS]	1
7	1040341	CIRCLIP-2.0X31.6,PR-2085	1
8	1005176	CIRCLIP (PR-3201)	2
9	1040346	GREASE(K575/VW738)	2

DRIVE TRAIN, SECONDARY CLUTCH

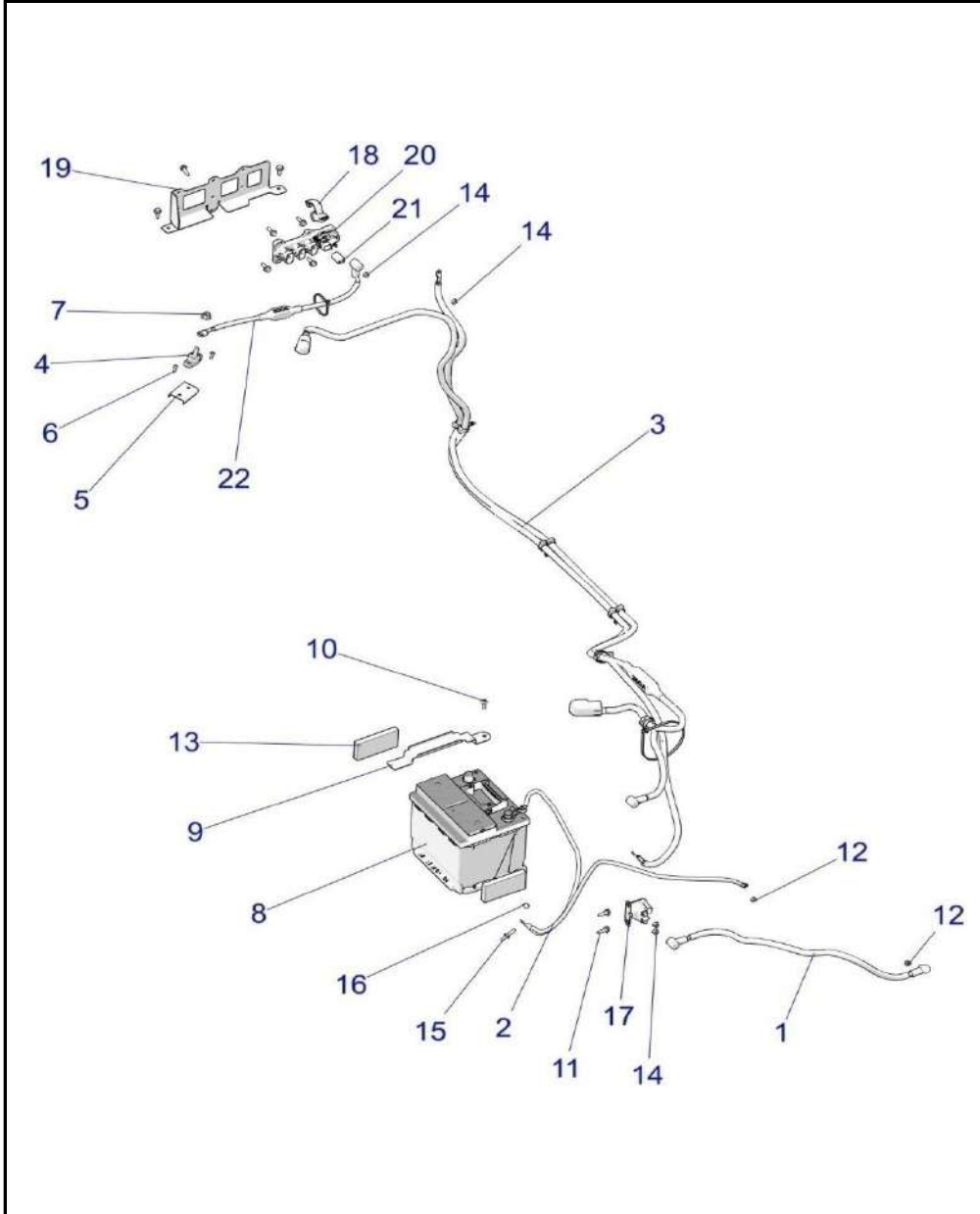
2023 RZR TRAIL S 1000 EPS EU/TRACTOR INTL (R02) - Z23ASE99F4/S99C4/F4



POS	OEM Part #	Part Name	Qty
1	-----	ASM-DRIVEN 30MM,BTD,NEBS [INCL. 2-13]	1
2	1007479	BUSHING-CLUTCH,4140,TOPHAT	1
3	1008452	BEARING, BALL OIL FILLED ANGULAR CONTACT 30X55X23	1
4	1007439	PIN , ROLLER	2
5	1008453	PUCK, SQUARE TIED 1.135 X 0.3775 X 0.55	2
6	1007440	SPRING, CLUTCHPIN, SPRING SLOTTED	2
7	1014622	RING, RETAINING, E-RING, EXTERNAL	2
8	1014522	WASHER-THRUST-TEAM#150151	2
9	1008454	ROLLER-BTD,9.58X28.83X13.97,CE	2
10	1011252	SPIDER, 9.5 25T MACH	1
11	1007448	SCREW, HELIX, PATCH	4
12	1014016	SPRING, COMPRESSION RED/WHT 104-173	1
13	-----	CAM ASSEMBLY	1
14	1007365	BELT-DRIVE,10.5,CD	1
15	1014454	SCR-HXFL-M10X1.25X60 10.9 ZOD	1

ELECTRICAL, BATTERY AND RELATED

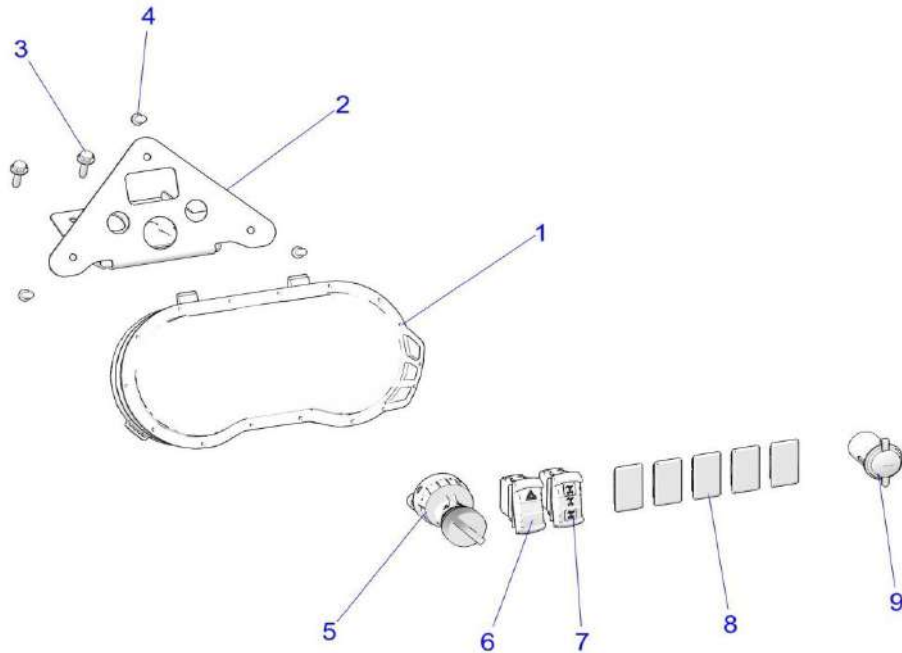
2023 RZR TRAIL S 1000 EPS EU/TRACTOR INTL (R02) - Z23ASE99F4/S99C4/F4



POS	OEM Part #	Part Name	Qty
1	1040363	CABLE, START TO SOLENOID	1
2	1040364	CABLE, GROUND, ENG, BAT, CHAS	1
3	1045692	CABLE-SET,PRI PWR,FUSED	1
4	1045183	BLOCK-JUNCTION	1
5	1045184	BRKT-MTG,B+ POST,BLK	1
6	1045187	SCR-#10-24X5/8PN/TR-RDTORX-Y	2
7	1045188	NUT-FLANGED,3/8-16 NYLON-Z	1
8	1030660	BATTERY-530 CCA,FLOODED,EUROPE	1
9	1039893	STRAP, BATTERY, VARTA, BLACK	1
10	1039758	SCR-TXPH-#14 X .75 HI-LO RIE	1
11	1039683	SCR-M6X1.0X20, HXHD, FLG, TDFM, BK	AR
12	1039773	NUT-6MM X 1 NYLOK-Z	2
13	1039598	PAD, BATTERY, FOAM	2
14	1045182	NUT-HXFLGHD, M6, SERRATED	4
15	1039752	STUD-M6X1.0X19-M6 TAPTITE	1
16	1039782	NUT, M6 FLANGE, NYLOC	1
17	1009588	SOLENOID, STARTER, SEALED	1
18	1045693	COVER,TB,25A,JCASE	1
19	1045694	BRKT-MOUNT,PULSE,BLK	1
20	1045695	BLOCK, TERMINAL, 3 POST	1
21	1045696	FUSE-CARTRIDGE,25A	1
22	1045185	CABLE-JUMPER,ACCY,FUSED [TO 8/22/2022]	1
22	1045186	CABLE-JUMPER,ACCY,FUSED [FROM 8/22/2022]	

ELECTRICAL, DASH INSTRUMENTS AND CONTROLS

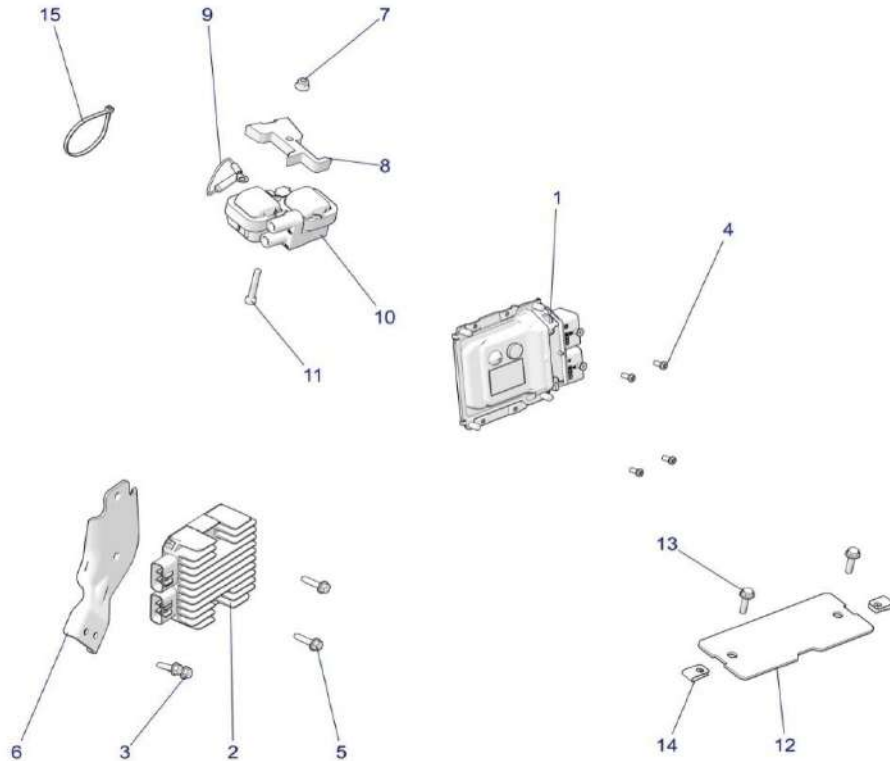
2023 RZR TRAIL S 1000 EPS EU/TRACTOR INTL (R02) - Z23ASE99F4/S99C4/F4



POS	OEM Part #	Part Name	Qty
1	-----	ASM-CLUSTER,250K,C4,ABS,TR	1
2	1045205	BRKT-C4 GAUGE MOUNT,ECOAT	1
3	1039683	SCR-M6X1.0X20, HXHD, FLG, TDFM, BK	2
4	1014444	SCREW-TXBH-M6X1.0X12 8.8 ZPB D20	3
5	1047417	SWITCH-KEY,4 POS,ATV,SEALED [FROM 9/18/2023]	1
5	1045698	SWITCH-KEY,4 POS,ATV,SEALED [TO 9/18/2023]	1
6	1009587	SWITCH, HAZARD	1
7	1040370	SWITCH, AWD, TURF	1
8	1045197	COVER-SWITCH,RZT	5
9	1009573	RECEPTACLE, POD MOUNT, 12 VOLT	1

ELECTRICAL, ECU, REG, ETC.

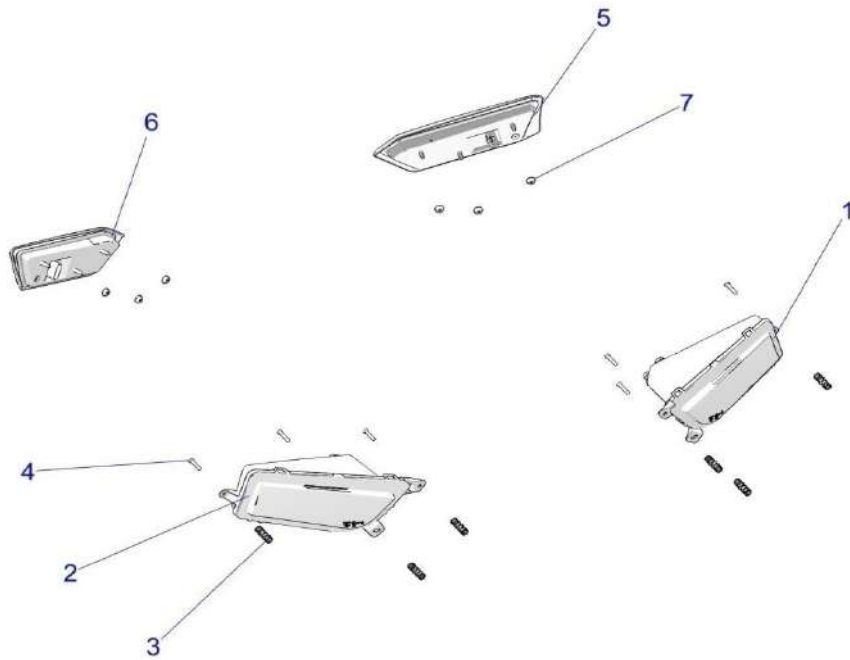
2023 RZR TRAIL S 1000 EPS EU/TRACTOR INTL (R02) - Z23ASE99F4/S99C4/F4



POS	OEM Part #	Part Name	Qty
1	1009581	ECM-HARD,ME17,2CYL,250K	1
2	1009597	REGULATOR-3PH,50A,SERIES,HISPD	1
3	1039683	SCR-M6X1.0X20, HXHD, FLG, TDFM, BK	2
4	1039719	SCR-#10X1/2-HI/LO-PN-T25, TRX-M	4
5	1044268	SCR-TFHFL-M6X1.0X25,ZOD	2
6	1039896	BRKT-MOUNT,REGULATOR,ECOAT	1
7	1039782	NUT, M6 FLANGE, NYLOC	1
8	1011828	SPACER, COIL MOUNT	1
9	1039491	JUMPER, COIL GROUND	1
10	1039486	COIL, EFI	1
11	1039705	SCR-M6X1.0X40,HX/SOC/CP-B	1
12	1045221	PANEL-CLOSEOFF,FUSE CTR LOC	1
13	1039684	BOLT, HEXHEAD, FLANGE, BLACK	2
14	1014509	NUT-M6-1.0, U-TYPE (2.5-3.8)	2
15	1039612	PANDUIT STRAP	1

ELECTRICAL, HEADLIGHTS AND TAILLIGHTS

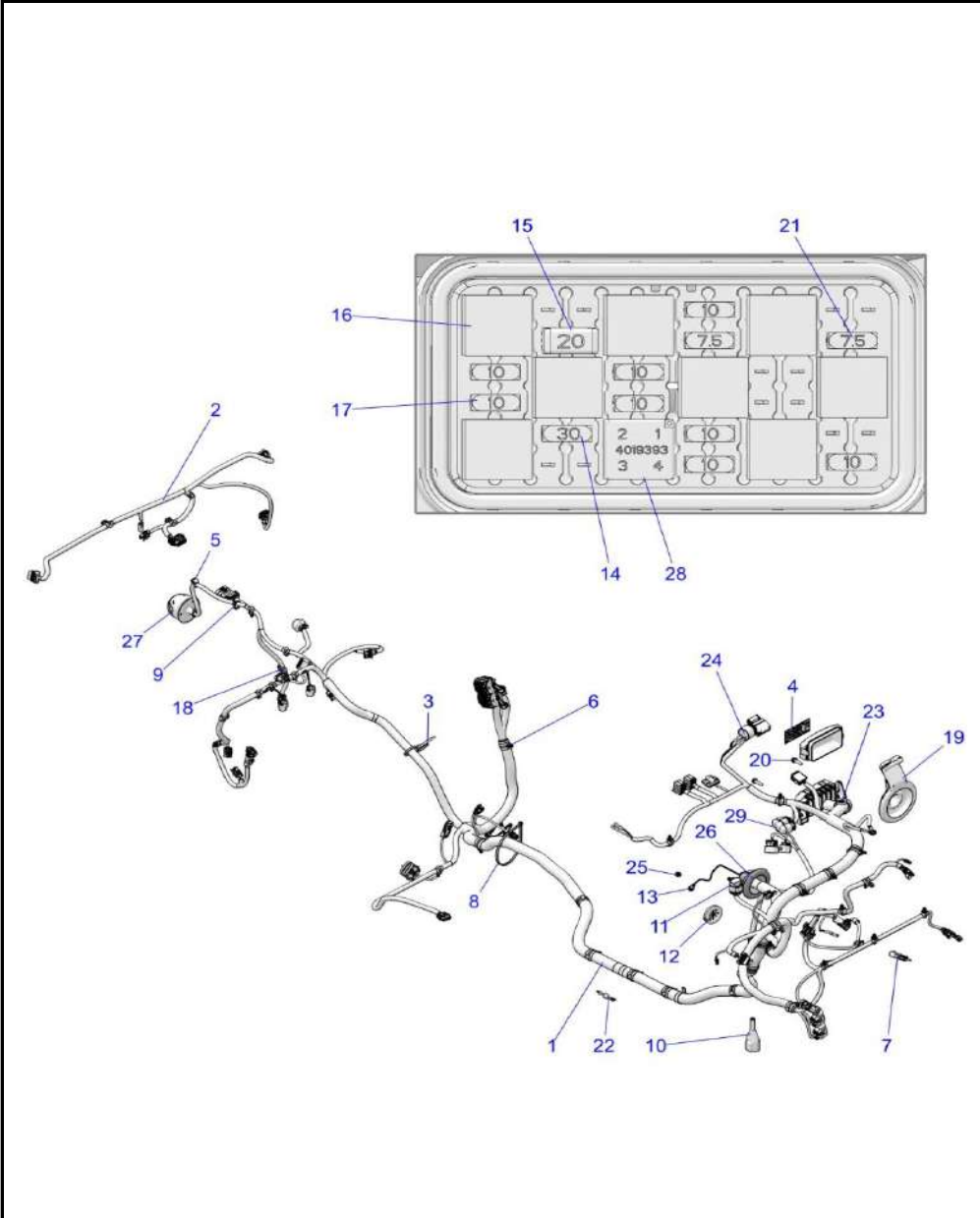
2023 RZR TRAIL S 1000 EPS EU/TRACTOR INTL (R02) - Z23ASE99F4/S99C4/F4



POS	OEM Part #	Part Name	Qty
1	1045223	ASM-HEADLIGHT,LED,ECE,LH,TRC	1
2	1045224	ASM-HEADLIGHT,LED,ECE,RH,TRC	1
3	1013999	SPRING, HEADLIGHT	6
4	1014424	SCR-10X1.12 TX PN PLS-Y	6
5	1005839	ASM., STOP, TAILLIGHT, TURN, ECE, LH [E99F4][S99F4]	1
5	1005848	ASM-STOP,TAIL,TURN,ECE,LH,TRC [C4]	1
6	1005840	ASM., STOP, TAILLIGHT, TURN, ECE, RH [E99F4][S99F4]	1
6	1005849	ASM-STOP,TAIL,TURN,ECE,RH,TRC [C4]	1
7	1039814	SPEED NUT-WASHER, HEAD-1/4	6

ELECTRICAL, WIRE HARNESS

2023 RZR TRAIL S 1000 EPS EU/TRACTOR INTL (R02) - Z23ASE99F4/S99C4/F4

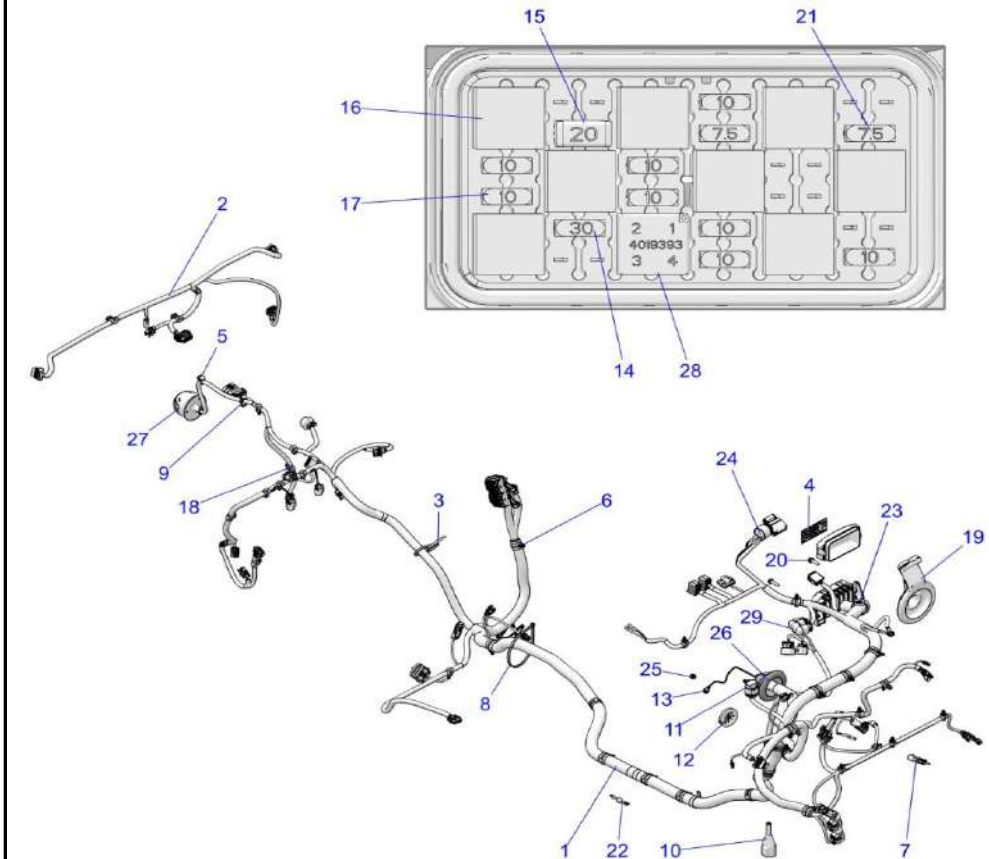


POS	OEM Part #	Part Name	Qty
1	-----	HARNESS-CHASSIS,RZR,1K,PS,INT [INCL. 3-6,9-11,13-19,21-23,26-30][TO 1/26/2023]	1
1	-----	HARNESS-CHASSIS,RZR,1K,PS,INT [INCL. 3-6,9-11,13-19,21-23,26-30][FROM 1/26/2023]	1
2	1045704	HARNESS-BOX,RZR,TR	1
3	1039636	STRAP-PANDUIT,DBL LOOP,260MM	1
4	-----	LABEL-FUSE BOX	1
5	1045706	CLIP-EDGE, 1-3mm THICKNESS	2
6	1014065	CLIP-ROUTING	AR
7	1045707	JUMPER-BRAKE PRESSURE SWITCH	1
8	1014060	CABLE-TIE,10-102MM,WEATH.-RES.	2
9	1039612	PANDUIT STRAP [QTY. of 6 in C4]	5
10	1045708	THROTTLE-CON BOOT	1
11	1039488	COVER - DIAGNOSTIC, W/ CLIP	1
12	1039543	GROMMET, ELECTRICAL, CAB	1
13	1039381	LED - PANEL MNT, 12V, BLUE	1
14	1045236	FUSE,MAIN,30 AMP,(10)	2
15	1009564	BREAKER, CIRCUIT, 20 AMP, SEALED	1
16	1009596	RELAY - SPST, 12V, 20A, EPXY, HFA	8
17	1005911	FUSE, IGNITION, 10 AMP	10
18	1047443	CLIP-FIR TREE,9.7-10.0MM HOLE	1
19	1045234	GROMMET - DASH FUSE CTR, RZR	1
20	1039684	BOLT, HEXHEAD, FLANGE, BLACK	2
21	1045235	FUSE - 7.5, MINI BLADE (BROWN)	2
22	1040379	DIODE - 6 AMP, 1/4, 3/16 TERM	1
23	1045237	DIODE - 6 AMP, 1/4, 3/16 TERM	1
24	1045709	ALARM-BRAKE, WARNING [C4]	1
25	1039638	CLIP - ROUTING, DIN BOX	1
26	1039597	GROMMET - 65 MM, BLK	1
27	1040380	CONNECTOR-7-WAY, EURO TRAILER	1

ELECTRICAL, WIRE HARNESS

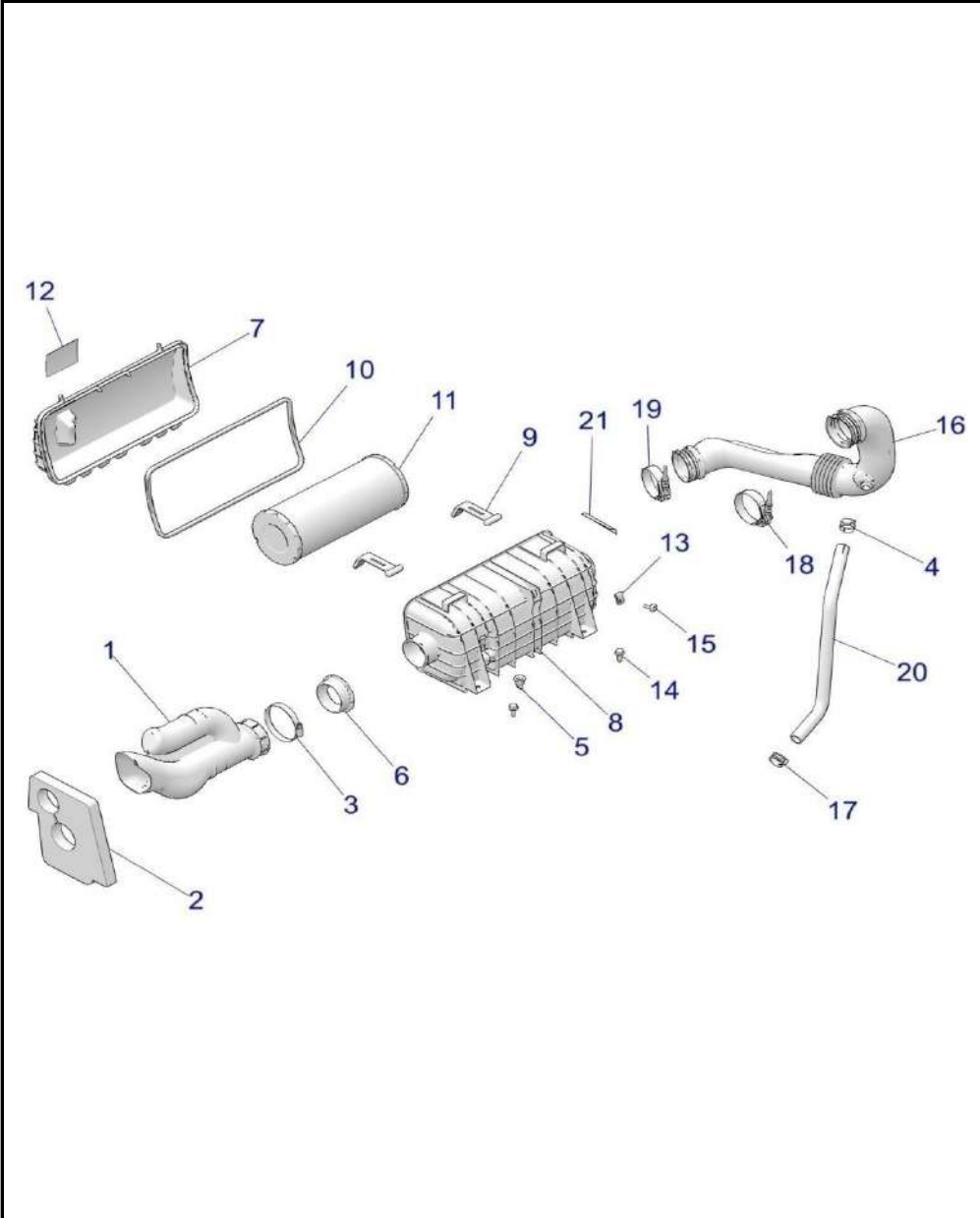
2023 RZR TRAIL S 1000 EPS EU/TRACTOR INTL (R02) - Z23ASE99F4/S99C4/F4

POS	OEM Part #	Part Name	Qty
28	1047438	SSR-4PIN	1
29	1045710	CAP-EVAP CONNECTOR	1



ENGINE, AIR INTAKE SYSTEM

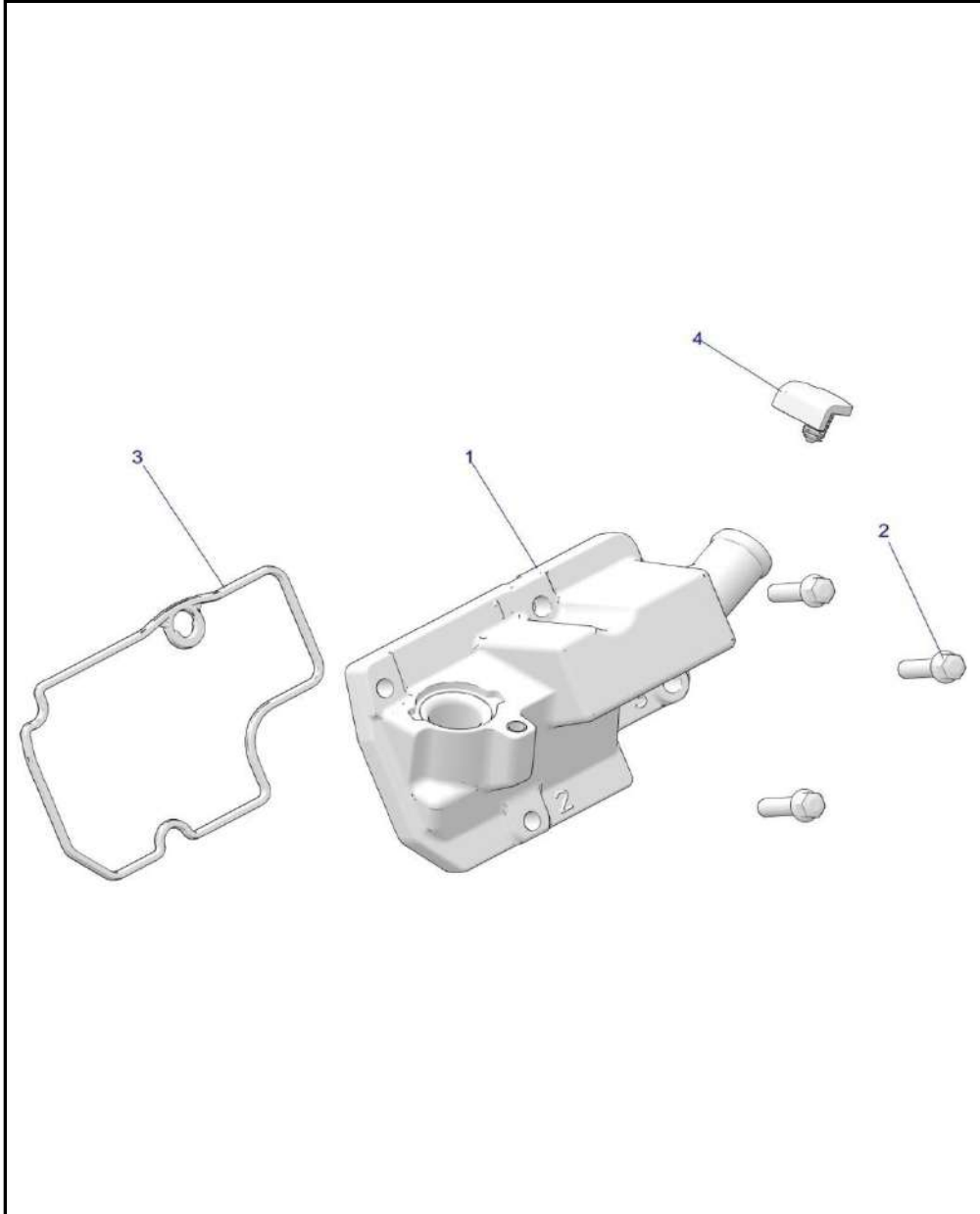
2023 RZR TRAIL S 1000 EPS EU/TRACTOR INTL (R02) - Z23ASE99F4/S99C4/F4



POS	OEM Part #	Part Name	Qty
1	1040383	DUCT, INTAKE, AIRBOX	1
2	1040384	PANEL, INTAKE SEPARATOR	1
3	1040385	CLAMP, HOSE, 3.25 SS	1
4	1039617	CLAMP, HOSE WORM GEAR 1.25	1
5	1039544	PLUG, DRAIN, HC	1
6	1040386	SEAL, INTAKE, AIRBOX	1
7	1040387	COVER, AIRBOX	1
8	1040388	AIRBOX	1
9	1011910	STRAP, AIRBOX	2
10	1045711	SEAL-AIRBOX [FROM 4/18/2022]	1
10	1045712	SEAL, AIRBOX [TO 4/18/2022]	1
11	1014081	FILTER, AIR	1
12	1039646	DECAL, CAUTION, AIR BOX	1
12	1039652	DECAL-WARN,INTAKE	2
13	1014509	NUT-M6-1.0, U-TYPE (2.5-3.8)	1
14	1039688	SCR-TFHFL-M8X1.25X20 CHS ZOD	2
15	1014459	SCR-TXTH-M6X1.0X25 ZFB	1
16	1040391	ASM., INTAKE DUCT [INCL. 18,19]	1
17	1039620	SPRINGBAND-CLAMP 27/12, GREEN	1
18	1040392	CLAMP, HOSE, T-BOLT, 72 DIA	1
19	1040393	CLAMP, HOSE, T-BOLT, 66.4 DIA	1
20	1040394	HOSE, VENT	1
21	1040395	DECAL, INTAKE DUCT	1

ENGINE, BREATHER

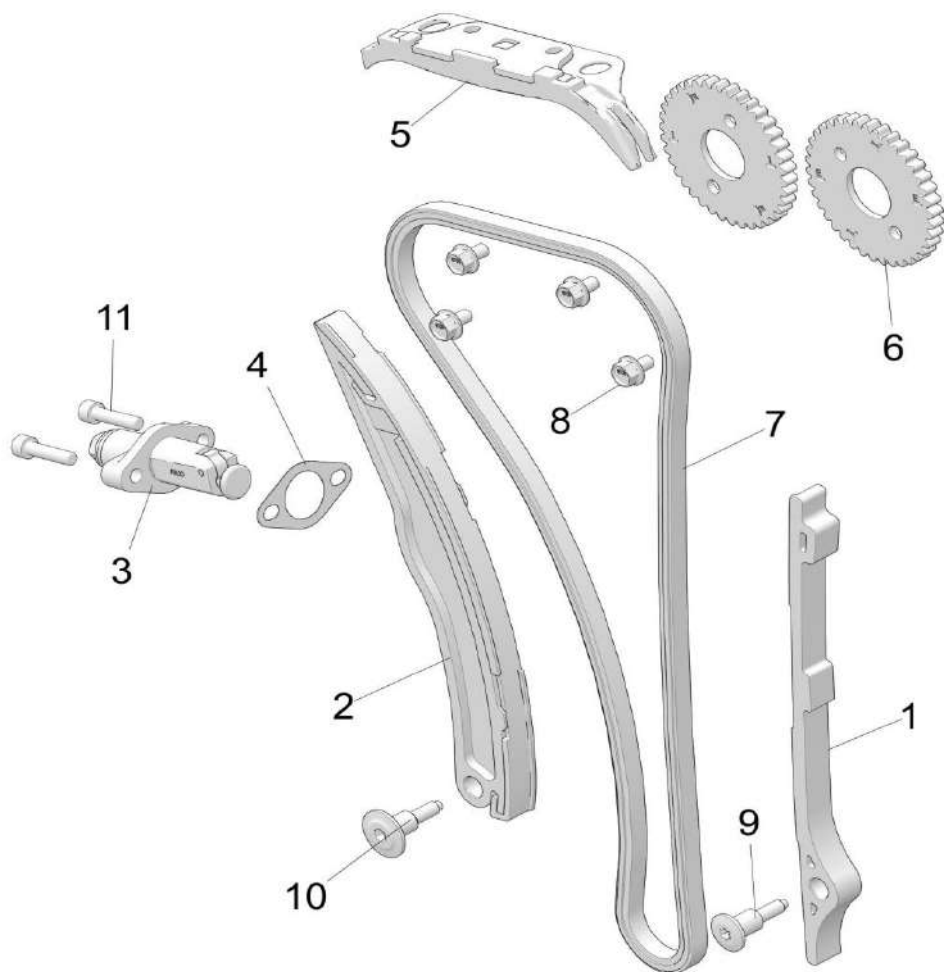
2023 RZR TRAIL S 1000 EPS EU/TRACTOR INTL (R02) - Z23ASE99F4/S99C4/F4



POS	OEM Part #	Part Name	Qty
1	1045261	COVER-BREATHER,MACH	1
2	1039698	SCREW-HXFL-M6X1.0X20 8.8 ZY3	5
3	1012352	SEAL, COVER, BREATHER	1
4	-----	BUMPER-CRANKCASE EDGE	1

ENGINE, CAM CHAIN AND TENSIONER

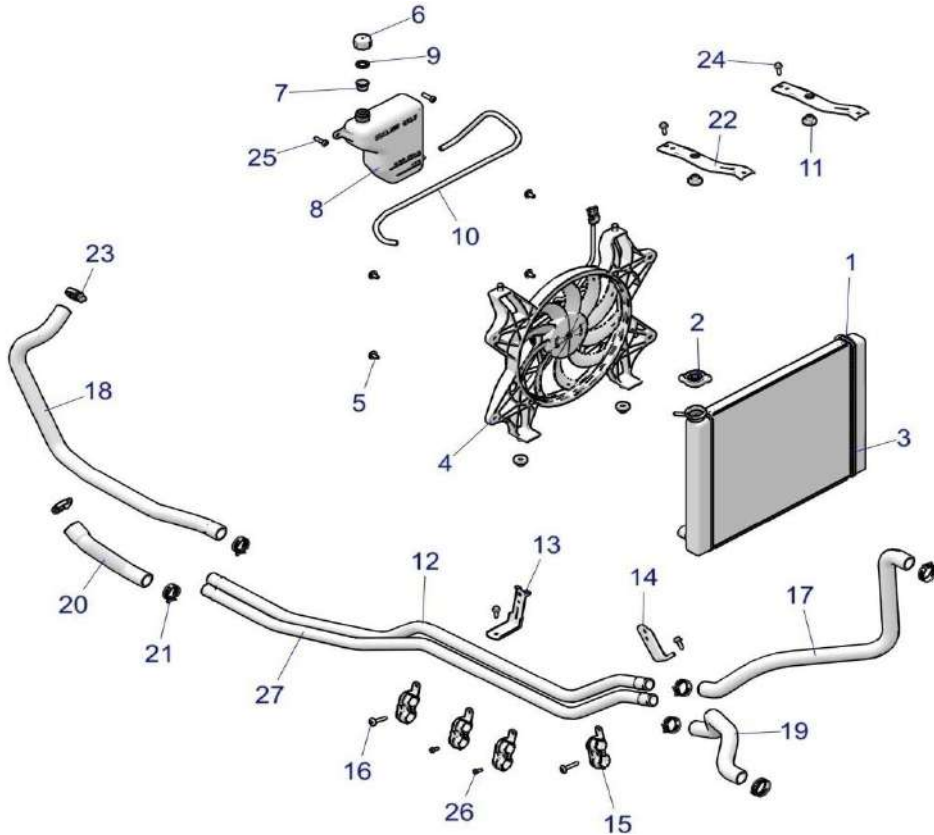
2023 RZR TRAIL S 1000 EPS EU/TRACTOR INTL (R02) - Z23ASE99F4/S99C4/F4



POS	OEM Part #	Part Name	Qty
1	1007004	GUIDE, CAMCHAIN, FIXED	1
2	1007005	GUIDE, CAMCHAIN, TENSIONER	1
3	1045238	TENSIONER-RATCHETING,MECH [INCL. 4]	1
4	1039603	GASKET, TENSIONER	1
5	1039411	GUIDE-CAMCHAIN, TOP, ARC	1
6	1039417	SPROCKET, CAM, DRIVEN, DOHC	2
7	1007398	CHAIN, CAMSHAFT	1
8	1039728	SCREW-HXFL, M6X1.0X10 10.9	4
9	1039730	SCREW-TXPH-M6X1.0X14 8.8 A2K SHB	1
10	1039765	BOLT-SHLDR, M6X14X40	1
11	1039713	SCREW-SH-M6X1.0X25 10.9 ZPC D204	2

ENGINE, COOLING SYSTEM

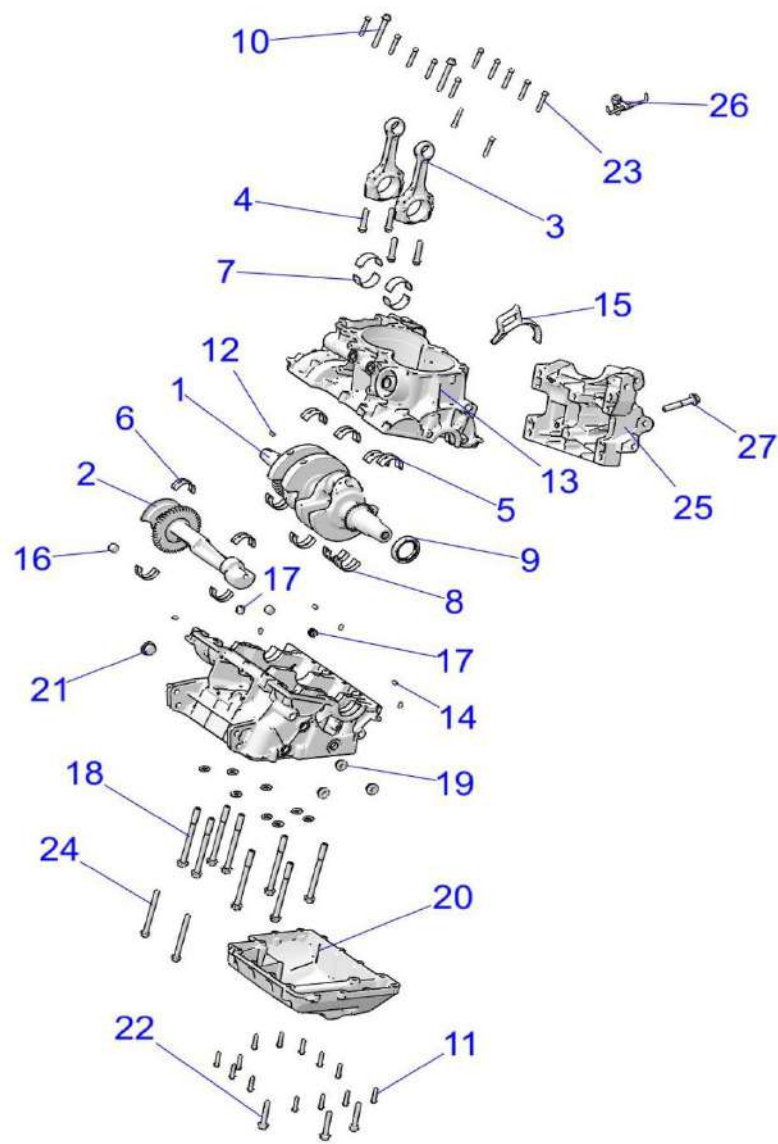
2023 RZR TRAIL S 1000 EPS EU/TRACTOR INTL (R02) - Z23ASE99F4/S99C4/F4



POS	OEM Part #	Part Name	Qty
1	1039350	ASM., RADIATOR [INCL. 2-5]	1
1	1045713	DECAL-WARN,RADIATOR,EU [E99F4][TO 5/11/2022]	1
1	-----	DECAL-WARN,RADIATOR,EU [E99F4][FROM 5/11/2022]	1
2	1002468	CAP, RADIATOR	1
3	1002469	ASM., RADIATOR, CORE	1
4	1005838	FAN-ASSEMBLY	1
5	1039757	BOLT, M6X15MM	4
6	1011820	CAP, OVER FLOW BOTTLE, DRILLED	1
7	1011824	CAP,PLUG9X(GRN),FLEX TEMP(10)	1
8	1039565	TANK, SURGE	1
9	1012347	GASKET, OVER FLOW CAP	1
10	1045239	FUEL LINE-95 CENTIMETERS	1
11	1039287	GROMMET-FLANGED,.36X.56X1.06	4
12	1045241	TUBE-COOLANT,1"	1
13	1039886	BRACKET, COOLANT TUBE, BLACK	1
14	1039890	BRACKET, COOLANT TUBE, BLACK	1
15	1039574	BRACKET, COOLANT TUBE	4
16	1039714	SCR-TXTH-M6X1.0X50, 8.8, ZPB	2
17	1039546	HOSE, UPPER, RADIATOR	1
18	1040400	HOSE, ENGINE OUTLET, REAR	1
19	1011804	HOSE, LOWER, RADIATOR, LONG	1
20	1040401	HOSE, ENGINE INLET, REAR	1
21	1039621	SPRINGBAND-CLAMP 35/12,BLK	6
22	1039039	BRACKET, UPPER RADIATOR MOUNT, BLACK	2
23	1039628	CLAMP, HOSE (WORM DR) 25-40MM	2
24	1039683	SCR-M6X1.0X20, HXHD, FLG, TDFM, BK	4
25	1039666	SCREW, #14X1 HI/LO-PH-PN TRX-M	2
26	1014423	SCREW-#10X3/4-HI/LO-PN-T25,TRX-M	2
27	1045240	TUBE-COOLANT,1"	1

ENGINE, CRANKCASE AND CRANKSHAFT

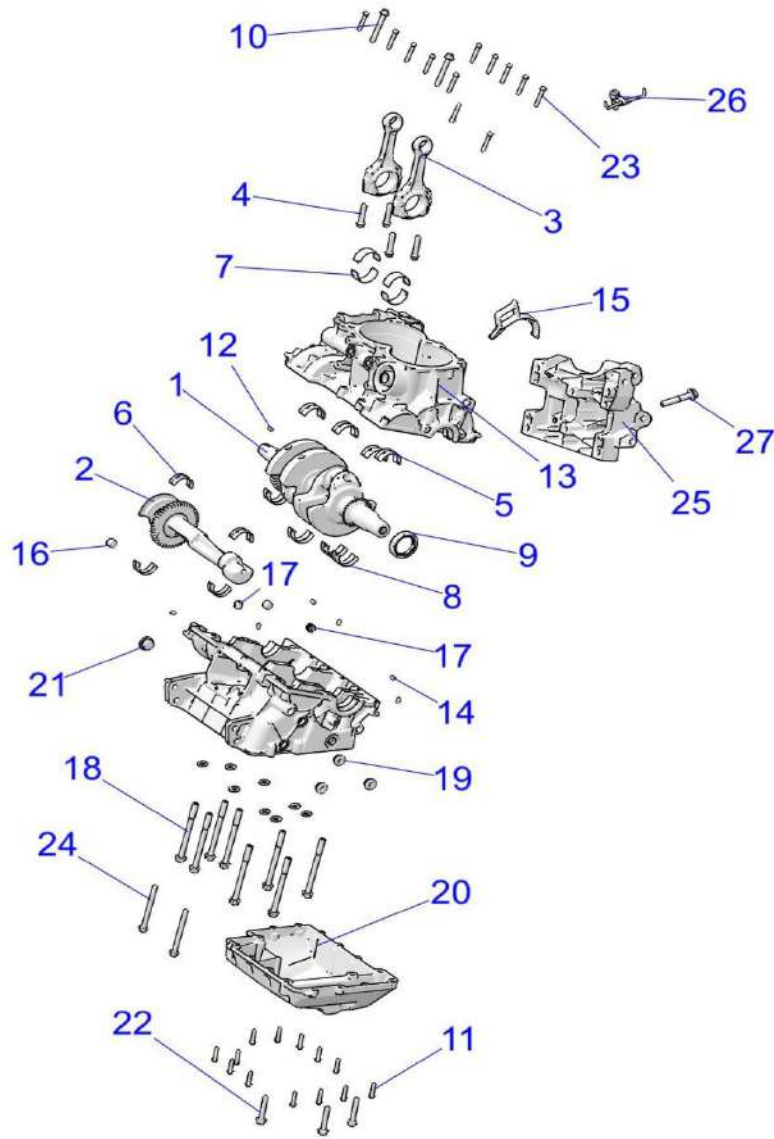
2023 RZR TRAIL S 1000 EPS EU/TRACTOR INTL (R02) - Z23ASE99F4/S99C4/F4



POS	OEM Part #	Part Name	Qty
1	1046945	ASM., CRANKSHAFT	1
2	1039348	ASM., BALANCE SHAFT	1
3	1028601	ASM-CONNECTING ROD,CLN [INCL. 4][TO 1/4/2023]	2
3	-----	ASM-CONNECTING ROD [FROM 1/4/2023]	2
4	1039762	SCR-ROD,MJ9X1X40-4H6H,12.9	4
5	1028584	BEARING-MAIN,G-90,41MM	7
5	1028585	BEARING, MAIN, BLUE	7
5	1028586	BEARING, MAIN, GREEN	7
5	1028587	BEARING, MAIN, YELLOW	7
5	1028588	BEARING, MAIN, RED	7
6	1028589	BEARING, CONNECTING ROD, WHITE	4
6	1028590	BEARING, CONNECTING ROD, BLUE	4
6	1028591	BEARING, CONNECTING ROD, GREEN	4
6	1028592	BEARING, CONNECTING ROD, YELLOW	4
7	1028596	BEARING, BALANCE SHAFT	4
8	1028593	BEARING-MAIN,CNTR,LWR	1
8	1028594	BEARING, MAIN, GREEN	1
8	1028595	BEARING, MAIN, YELLOW	1
9	1028602	SEAL-CRANKSHAFT	1
10	1039731	SCR-HXFLG,M8X1.25X60	2
11	1039763	BOLT-M10X1.5X60MM8.8HEXDRILLOCK	6
12	1014636	KEY,WOODRUFF(10)	1
13	1045247	K-CRANKCASE 3023658 [INCL. 14-19,21, 23,24,26]	1
14	1045248	PIN, DOWEL	8
15	1045249	DIVERTER, OIL DRAIN	1
16	1039610	PLUG-3/8 NPT,HX/SOC W/SEALANT	2
17	1039708	PLUG-HEX SOCKET,1/4X18,SEALANT	2
18	1045250	SCR-HXFL,M10X1.25X113MM 10.9	8
19	1045714	PLUG-HEX SCKT,W/O-RING,M16X1.5	3
20	1045251	COVER-SUMP,MACH	1

ENGINE, CRANKCASE AND CRANKSHAFT

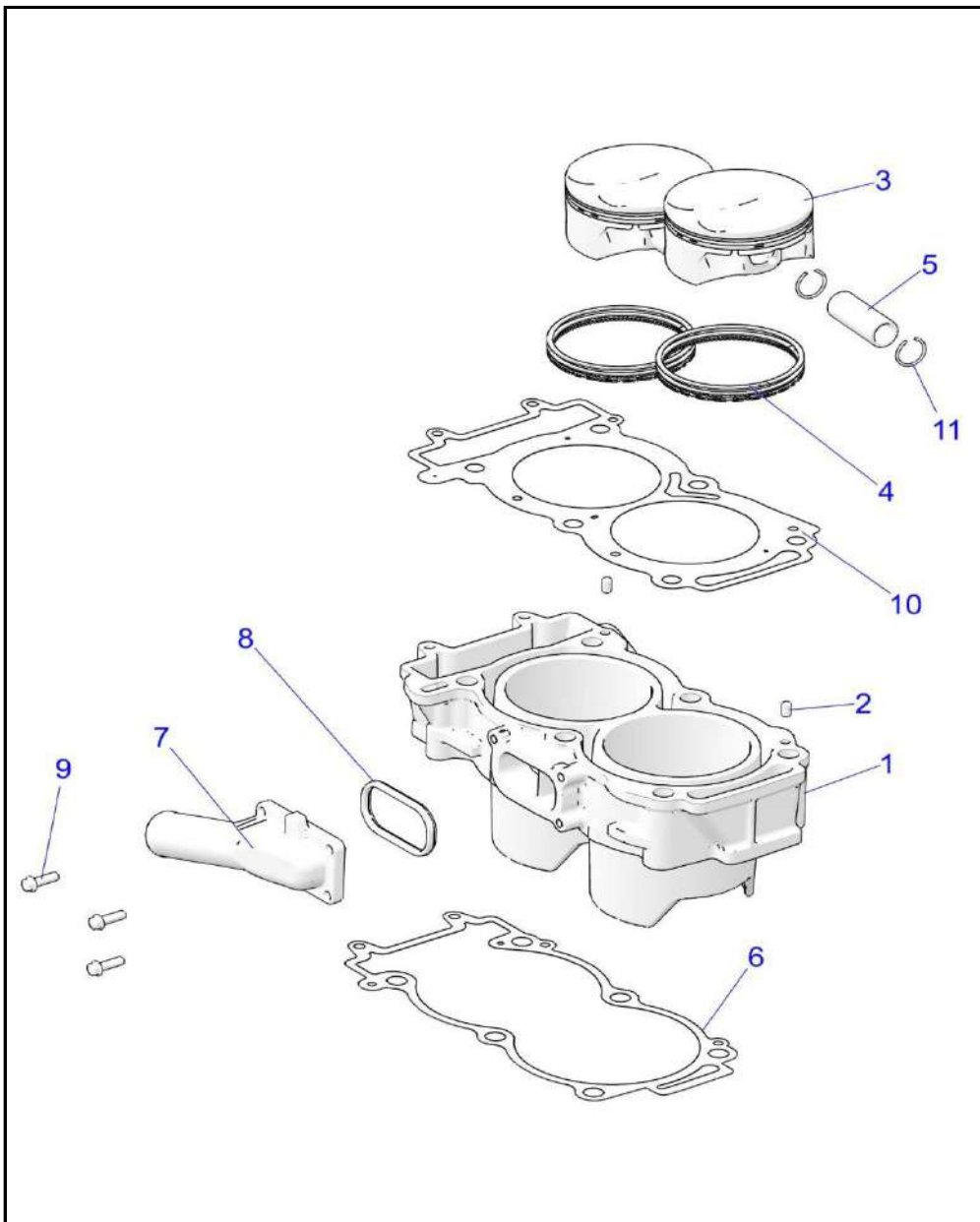
2023 RZR TRAIL S 1000 EPS EU/TRACTOR INTL (R02) - Z23ASE99F4/S99C4/F4



POS	OEM Part #	Part Name	Qty
21	1039611	PLUG-HEX SCKT,W/O-RING,M20X1.5	1
22	1039664	SCR-M8X1.25X50 HX/FL-Y	3
23	1039699	SCR-HXFL-M6X1.0X35 8.8 ZY3	12
24	1039727	SCR-HXFLG,M8X1.25X90	2
25	1045246	BRKT-TRANSJOINT,MACH	1
26	1039412	JET, PISTON	1
27	1039744	SCREW-HXFLG,M6X1.0X25,10.9	13

ENGINE, CYLINDER AND PISTON

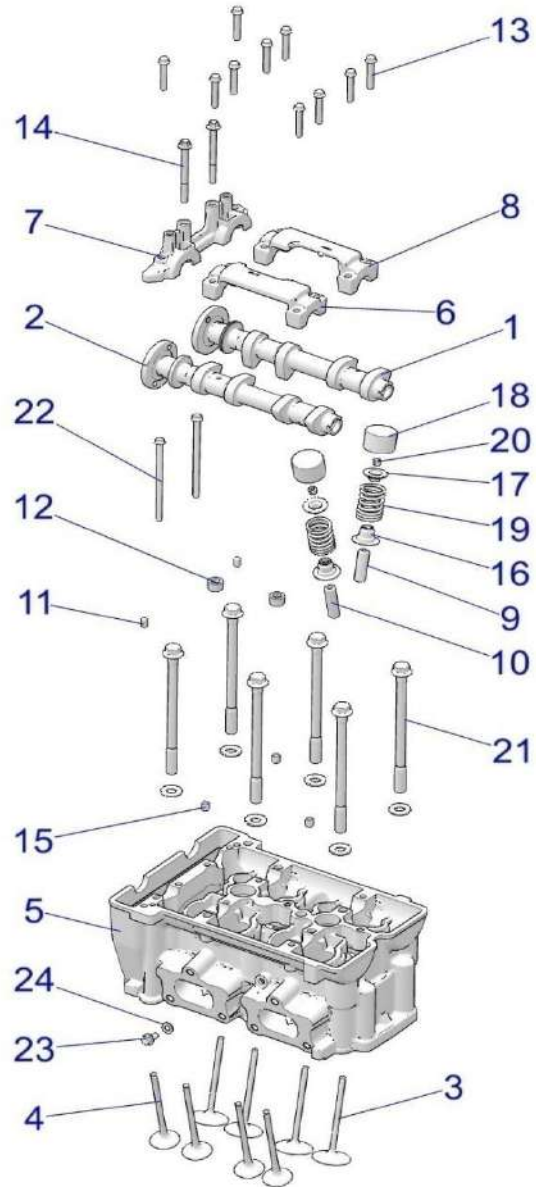
2023 RZR TRAIL S 1000 EPS EU/TRACTOR INTL (R02) - Z23ASE99F4/S99C4/F4



POS	OEM Part #	Part Name	Qty
1	1039415	ASM-CYLINDER,999 [INCL. 2]	1
2	1039498	PIN, DOWEL, M6x10	2
3	1039376	ASM., PISTON 3022567 [INCL. 3]	2
3	-----	PISTON-MACH	2
4	1039377	KIT, PISTON RINGS	2
5	1039406	PIN, PISTON	2
6	1028599	GASKET, BASE, 2 CYL [TO 5/9/2022]	1
6	1045716	GASKET-BASE,2 CYL [FROM 5/9/2022]	1
7	1039588	COVER, WATER INLET, CAST	1
8	1039596	GASKET, WATER, INLET	1
9	1039698	SCREW-HXFL-M6X1.0X20 8.8 ZY3	3
10	1028598	GASKET, CYLINDER, HEAD [TO 5/2/2022]	1
10	1045252	GASKET, CYLINDER, HEAD [FROM 5/2/2022]	1
11	1040420	RING-RTG,ROUND,20.0X1.6	4

ENGINE, CYLINDER HEAD AND VALVES

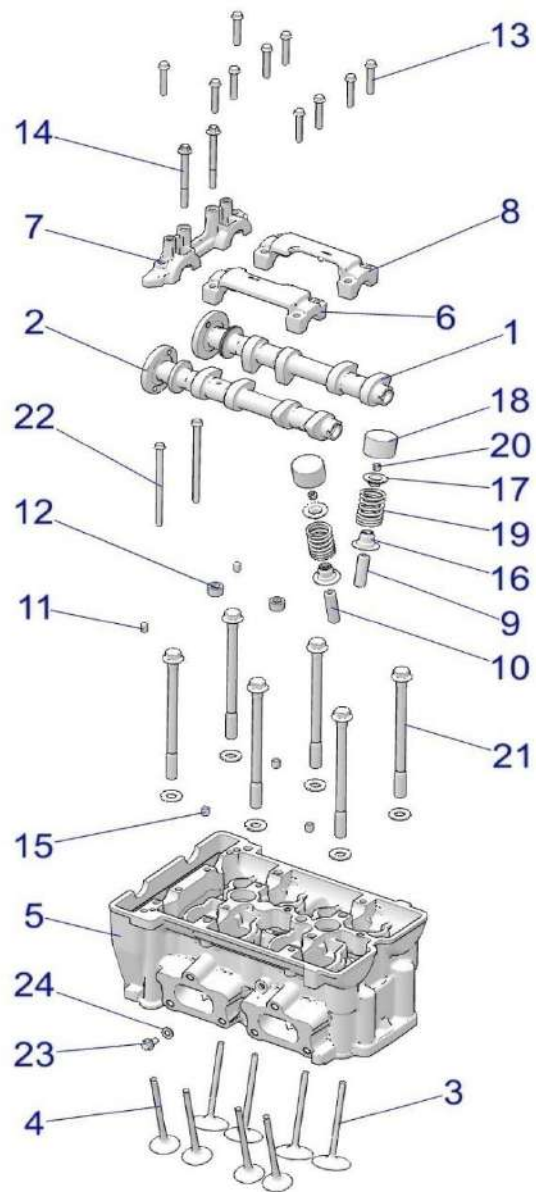
2023 RZR TRAIL S 1000 EPS EU/TRACTOR INTL (R02) - Z23ASE99F4/S99C4/F4



POS	OEM Part #	Part Name	Qty
1	1045717	ASM-CAMSHAFT,INTAKE,989-234	1
2	1045718	ASM-CAMSHAFT,EXHAUST,913-225	1
3	1039405	VALVE-INTAKE,STEEL,G-90	4
4	1039407	VALVE, EXHAUST	4
5	1039410	ASM-CYLINDER HEAD,MACH [INCL. 6-15]	1
6	-----	CARRIER, CAMSHAFT, DOHC, EXHAUST [INCL. IN CYLINDER HEAD ASM.]	1
7	-----	CARRIER, CAMSHAFT, DOHC, TRANS [INCL. IN CYLINDER HEAD ASM.]	1
8	-----	CARRIER, CAMSHAFT, DOHC, INTAKE [INCL. IN CYLINDER HEAD ASM.]	1
9	-----	GUIDE, VALVE, INTAKE [INCL. IN CYLINDER HEAD ASM.]	4
10	-----	GUIDE, VALVE, EXHAUST [INCL. IN CYLINDER HEAD ASM.]	4
11	1039498	PIN, DOWEL, M6x10	2
12	1039610	PLUG-3/8 NPT,HX/SOC W/SEALANT	4
13	1039760	SCR-HXFL-M6X1.0X35 10.9 ZY3	10
14	1039732	SCR-HXFL M6X1.0X70 B18.2.3.4M	2
15	1039812	DOWEL, HOLLOW, M8X8	4
16	1008817	SEAT, W/SEAL, VALVE SPRING	8
17	1039504	RETAINER, VALVE	8
18	1039838	TAPPET, VALVE, GRADED, 4.400	AR
18	1039839	TAPPET, VALVE, GRADED, 4.425	AR
18	1039840	TAPPET, VALVE, GRADED, 4.450	AR
18	1039841	TAPPET, VALVE, GRADED, 4.475	AR
18	1039842	TAPPET, VALVE, GRADED, 4.500	AR
18	1039843	TAPPET, VALVE, GRADED, 4.525	AR
18	1039844	TAPPET, VALVE, GRADED, 4.550	AR
18	1039845	TAPPET, VALVE, GRADED, 4.575	AR
18	1039846	TAPPET, VALVE, GRADED, 4.600	AR
18	1039847	TAPPET, VALVE, GRADED, 4.625	AR

ENGINE, CYLINDER HEAD AND VALVES

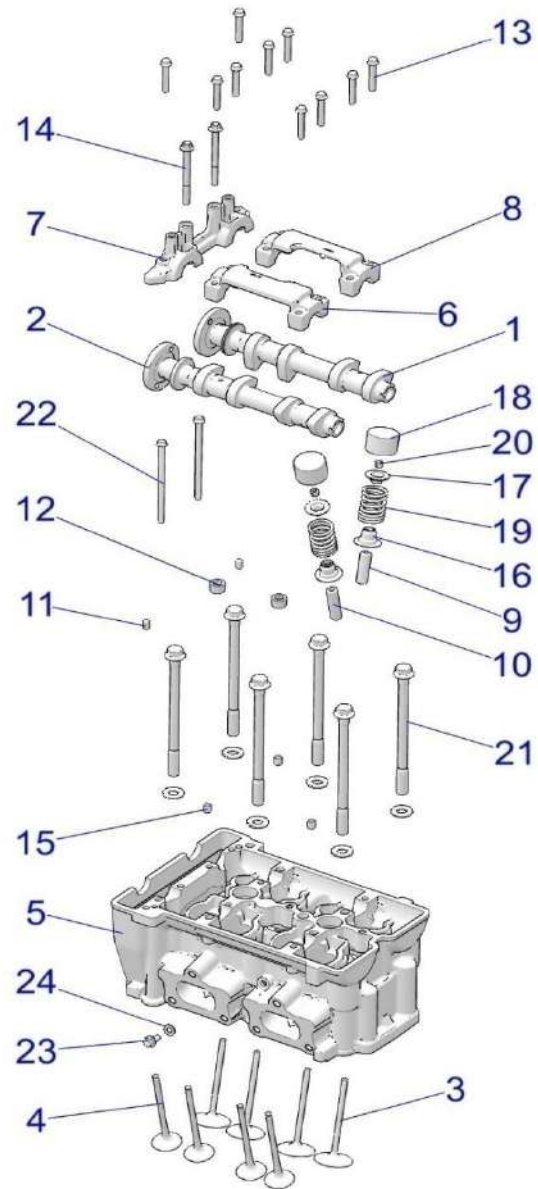
2023 RZR TRAIL S 1000 EPS EU/TRACTOR INTL (R02) - Z23ASE99F4/S99C4/F4



POS	OEM Part #	Part Name	Qty
18	1039848	TAPPET, VALVE, GRADED, 4.650	AR
18	1039849	TAPPET, VALVE, GRADED, 4.675	AR
18	1041355	TAPPET, VALVE, GRADED, 4.700	AR
18	1039851	TAPPET, VALVE, GRADED, 4.725	AR
18	1039852	TAPPET, VALVE, GRADED, 4.750	AR
18	1039853	TAPPET, VALVE, GRADED, 4.775	AR
18	1039854	TAPPET, VALVE, GRADED, 4.800	AR
18	1039855	TAPPET, VALVE, GRADED, 4.825	AR
18	1039856	TAPPET, VALVE, GRADED, 4.850	AR
18	1039857	TAPPET, VALVE, GRADED, 4.875	AR
18	1039858	TAPPET, VALVE, GRADED, 4.900	AR
18	1039859	TAPPET, VALVE, GRADED, 4.925	AR
18	1039860	TAPPET, VALVE, GRADED, 4.950	AR
18	1039861	TAPPET, VALVE, GRADED, 4.975	AR
18	1039862	TAPPET, VALVE, GRADED, 5.000	AR
18	1039863	TAPPET, VALVE, GRADED, 5.025	AR
18	1039864	TAPPET, VALVE, GRADED, 5.050	AR
18	1039865	TAPPET, VALVE, GRADED, 5.075	AR
18	1039866	TAPPET, VALVE, GRADED, 5.100	AR
18	1039867	TAPPET, VALVE, GRADED, 5.125	AR
18	1039868	TAPPET, VALVE, GRADED, 5.150	AR
18	1039869	TAPPET, VALVE, GRADED, 5.175	AR
18	1039870	TAPPET, VALVE, GRADED, 5.200	AR
18	1039871	TAPPET, VALVE, GRADED, 5.225	AR
18	1039872	TAPPET, VALVE, GRADED, 5.250	AR
18	1039873	TAPPET, VALVE, GRADED, 5.275	AR
18	1039874	TAPPET, VALVE, GRADED, 5.300	AR
18	1039875	TAPPET, VALVE, GRADED, 5.325	AR
18	1039876	TAPPET, VALVE, GRADED, 5.350	AR
18	1039877	TAPPET, VALVE, GRADED, 5.375	AR

ENGINE, CYLINDER HEAD AND VALVES

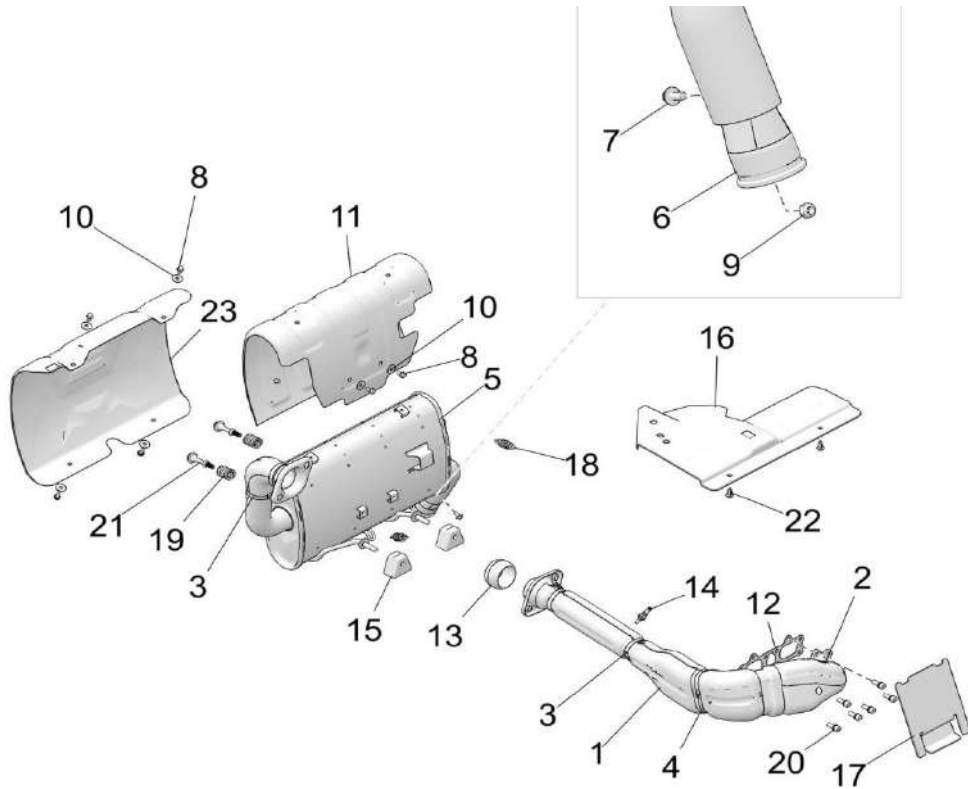
2023 RZR TRAIL S 1000 EPS EU/TRACTOR INTL (R02) - Z23ASE99F4/S99C4/F4



POS	OEM Part #	Part Name	Qty
18	1039878	TAPPET, VALVE, GRADED, 5.400	AR
18	1039879	TAPPET, VALVE, GRADED, 5.425	AR
18	1039880	TAPPET, VALVE, GRADED, 5.450	AR
19	1045719	SPRING, VALVE	8
20	1039631	KEEPER, VALVE	16
21	1040092	SCR-HXFL,M11X1.25X150 10.9 SEM	6
22	1014449	SCR-HXFLG,M6X1.0X90	2
23	1039764	SCR-M6X1.0X13,SL/HX/FL-Z,BLEED	1
24	1039801	WASHER-FLAT,6.15X12X1MM-AL	1

ENGINE, EXHAUST SYSTEM

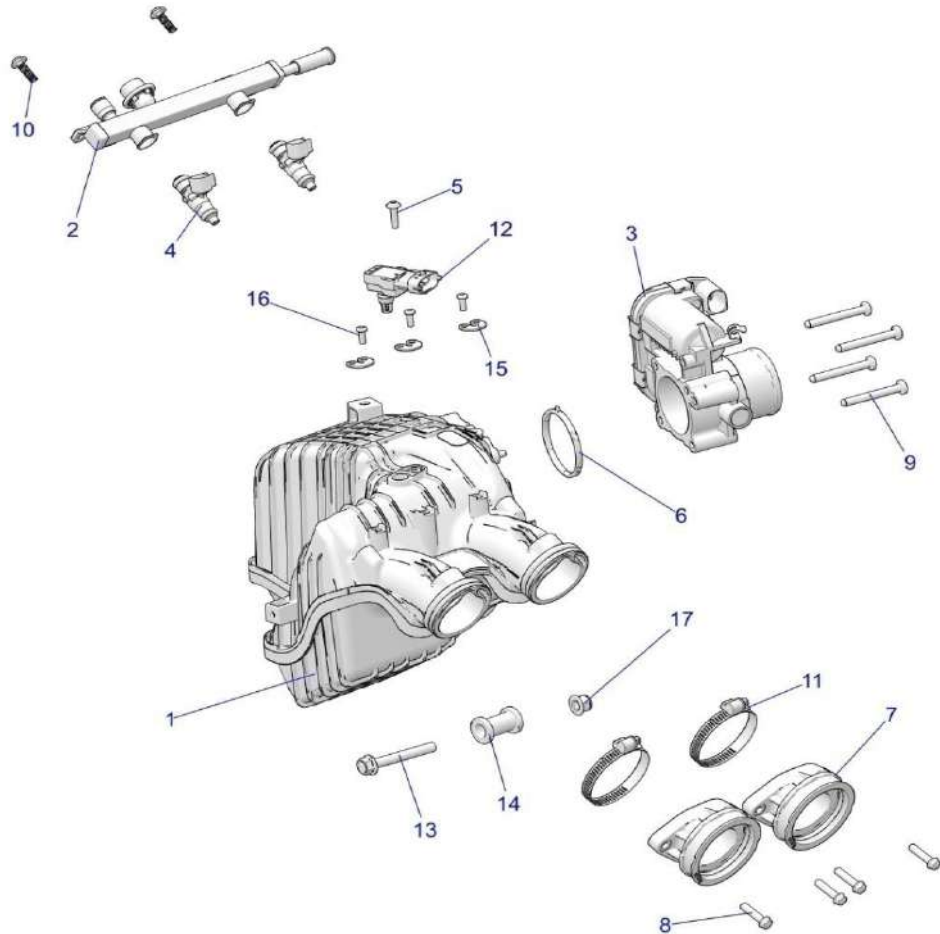
2023 RZR TRAIL S 1000 EPS EU/TRACTOR INTL (R02) - Z23ASE99F4/S99C4/F4



POS	OEM Part #	Part Name	Qty
1	1045720	ASM., HEADPIPE [INCL. 2-4]	1
2	1039626	CLAMP,HEAT SHIELD, EXHAUST ADD	2
3	1039632	CLAMP, HEAT SHIELD, EXHAUST	4
4	1045266	CLAMP-HEAT SHIELD,EXHAUST	2
5	1045721	ASM-SILENCER [INCL. 3,6-11]	1
6	1040436	WELD-SPARK ARRESTOR,AVA875	1
7	1039661	SCREW-HXFL-M6X1.0X12 10.9 ZPC	1
8	1040437	SCR-1/4-20X1/2,TFM HW-M	8
9	1039777	NUT-HEXHD,M6,DIN980V,0600100	1
10	1040438	WASHER-.28 X .81 X .06, ST-M	8
11	1045722	SHIELD-SILENCER	1
12	1008814	GASKET, EXHAUST SEAL	1
13	1008819	GASKET-DOUBLE SPHERICAL,2"	1
14	1009594	SENSOR, OXYGEN	1
15	1039569	MOUNT, ISOLATOR	2
16	1045723	SHIELD-FRONT BOX	1
17	1045268	SHIELD, ACCESS PANEL	1
18	1013996	SPRING, EXHAUST	2
19	1014011	SPRING, SPHERICAL, EXHAUST	2
20	1039711	SCR-HXFL-M5X0.8X12 4.8 ZPC NYL	6
21	1014477	STUD, SPHERICAL, EXHAUST	2
22	1014589	RIVET-TUFLOK,.315-.325X.787	2
23	1045724	SHIELD-SILENCER,OUTER,BLK	1

ENGINE, INTAKE and THROTTLE BODY

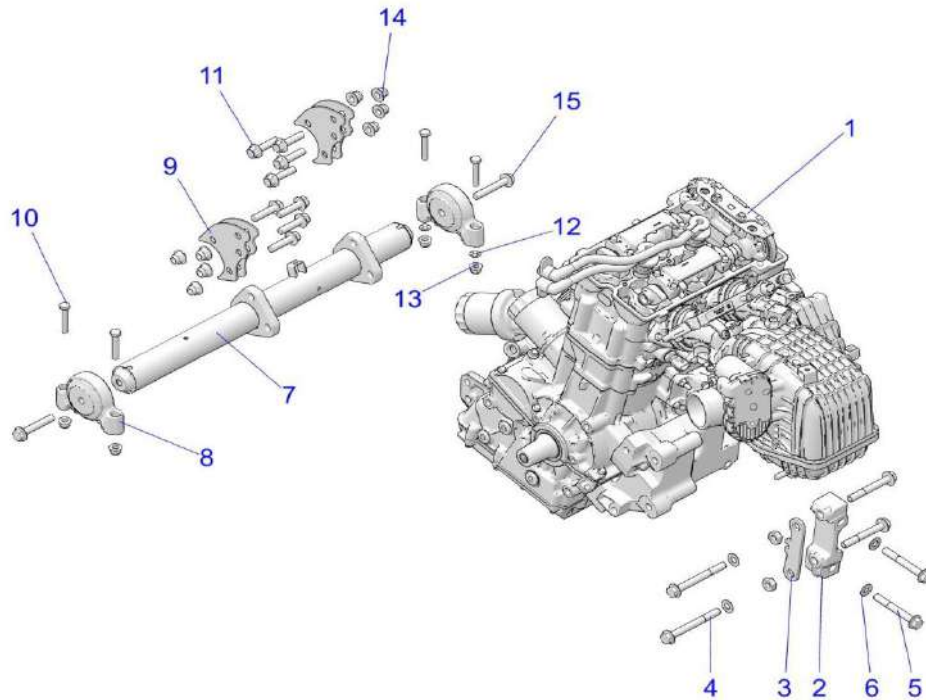
2023 RZR TRAIL S 1000 EPS EU/TRACTOR INTL (R02) - Z23ASE99F4/S99C4/F4



POS	OEM Part #	Part Name	Qty
1	1045725	MANIFOLD-INTAKE,COMPOSITE,19 [INCL. 6,13,14]	1
2	1045726	RAIL, FUEL	1
3	1002283	ASM., THROTTLE BODY	1
4	1003392	O-RING-BOSCH,EV-14,UPPER, BLUE	2
4	1039383	INJ., EV 14 COMP, EXT [INCL. O-RINGS]	2
4	1045283	O-RING GREEN, LOWER	2
5	1040441	SCREW-PLASTITE,5.0MMX20-PN-T25	1
6	1040442	GASKET-ETC,EN.0113664	1
7	1045727	ADAPTER-THROTTLE BODY,1 PIECE	1
8	1039744	SCREW-HXFLG,M6X1.0X25,10.9	4
9	1040444	SCR-1/4X2 HI/LO-PH-PN TRX-M	4
10	1045728	SCR-TXWH-6MMX20MM DELTA PT CLR	2
11	1039614	CLAMP, BAND, NARROW	2
12	1005828	SENSOR, T-MAP, DSS3-TF	1
13	1039746	SCR-HXFL-M8X1.25X60 8.8 ZOD	1
13	1040445	LIMITER-COMPRESSION,AF.0113666	1
14	1040446	GROMMET-LX.0113665	1
15	1040447	CLIP, INTAKE ROUTING	3
16	1040448	SCREW-PLASTITE,4.5MM	3
17	1014499	NUT- M8X1.25, FLG, NYLOC-OLIVE D	1

ENGINE, MOUNTING

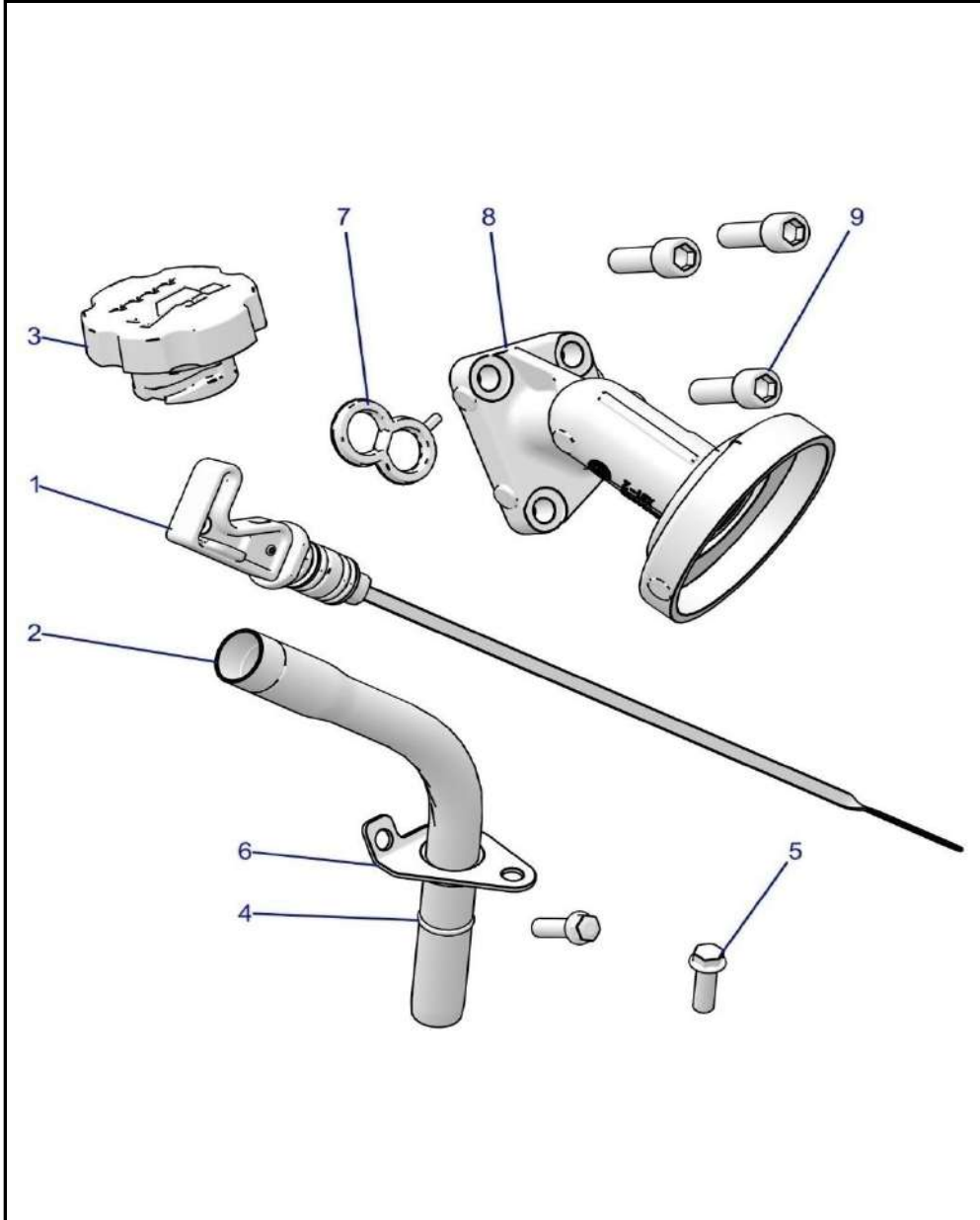
2023 RZR TRAIL S 1000 EPS EU/TRACTOR INTL (R02) - Z23ASE99F4/S99C4/F4



POS	OEM Part #	Part Name	Qty
1	-----	ENGINE, LONG BLOCK	1
2	1045272	BRACKET, TRANSMISSION JOINT, MACH	1
3	1039526	WELD-NUT, PLATE	1
4	1014442	SCR-HXFL-M10X1.25X95 10.9 ZOD	2
5	1038235	SCR-HXFL-M10X1.25X75 10.9 ZOD	4
6	1014520	WASHER-3/8 FW SAE STL THRU-HRD	6
7	1045730	WELD-MOUNT,ENGINE,E.COAT	1
8	1039356	MOUNT, ISOLATOR, DRIVELINE	2
9	1039519	BRACKET, MOUNT, ENGINE	4
10	1039723	SCREW-HH M8X1.25X45 8.8 ZOD	4
11	1039751	SCR-HXFL-M10X1.25X40 8.8 ZOD	8
12	1039776	NUT-5/16-PAL-Y	4
13	1014499	NUT- M8X1.25, FLG, NYLOC-OLIVE D	4
14	1014500	NUT-M10X1.25, FLG, NYLOC-OLIVE D	8
15	1039707	SCR-HXFL-M10X1.25X60 10.9 ZOD	2

ENGINE, OIL DIPSTICK

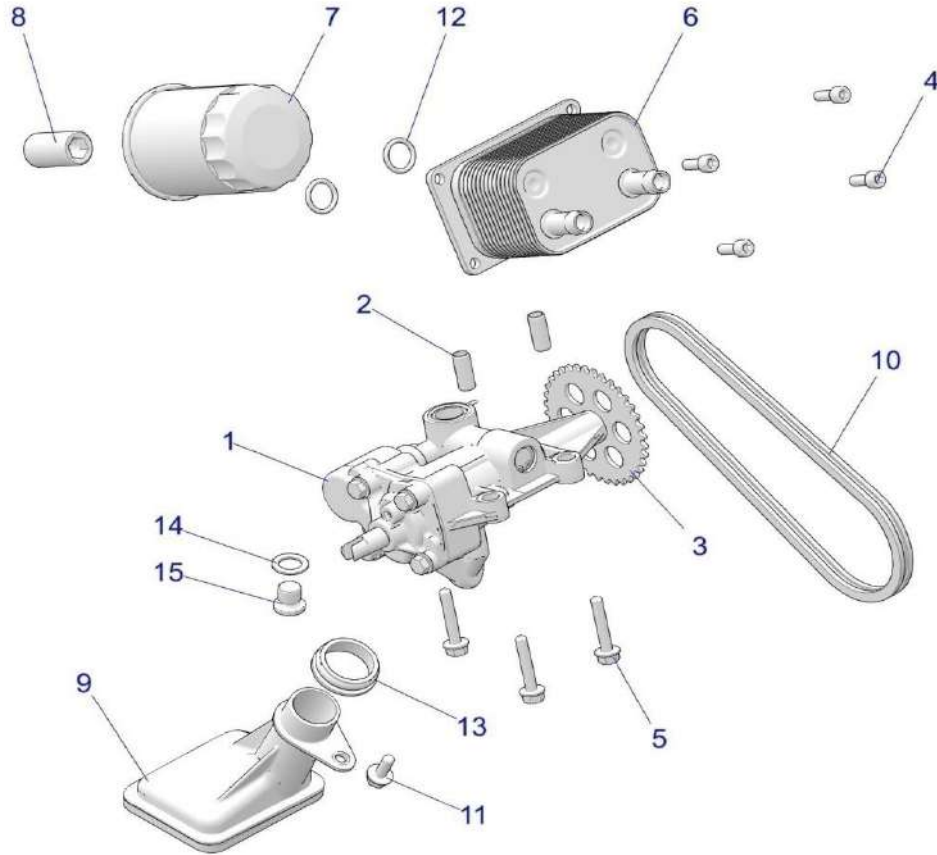
2023 RZR TRAIL S 1000 EPS EU/TRACTOR INTL (R02) - Z23ASE99F4/S99C4/F4



POS	OEM Part #	Part Name	Qty
1	1007016	DIPSTICK, ENGINE OIL	1
2	1039347	ASM., OIL FILL TUBE [INCL. 4]	1
3	1002289	ASM., CAP, OIL FILL [INCL. CAP AND O-RING}	1
3	1011803	O-RING, OIL FILL CAP	1
4	1039541	O-RING, 12MMX2MM	1
5	1039698	SCREW-HXFL-M6X1.0X20 8.8 ZY3	2
6	1039511	BRACKET, TUBE, OIL FILL, LOWER	1
7	1045262	SEAL-FILTER ADAPTER-3HOLE	1
8	1045263	ADAPTER-OIL FILTER, MACH	1
9	1045264	SCR-SH-M8X1.25X25 8.8 ZPC NYL	3

ENGINE, OIL PUMP and OIL COOLER

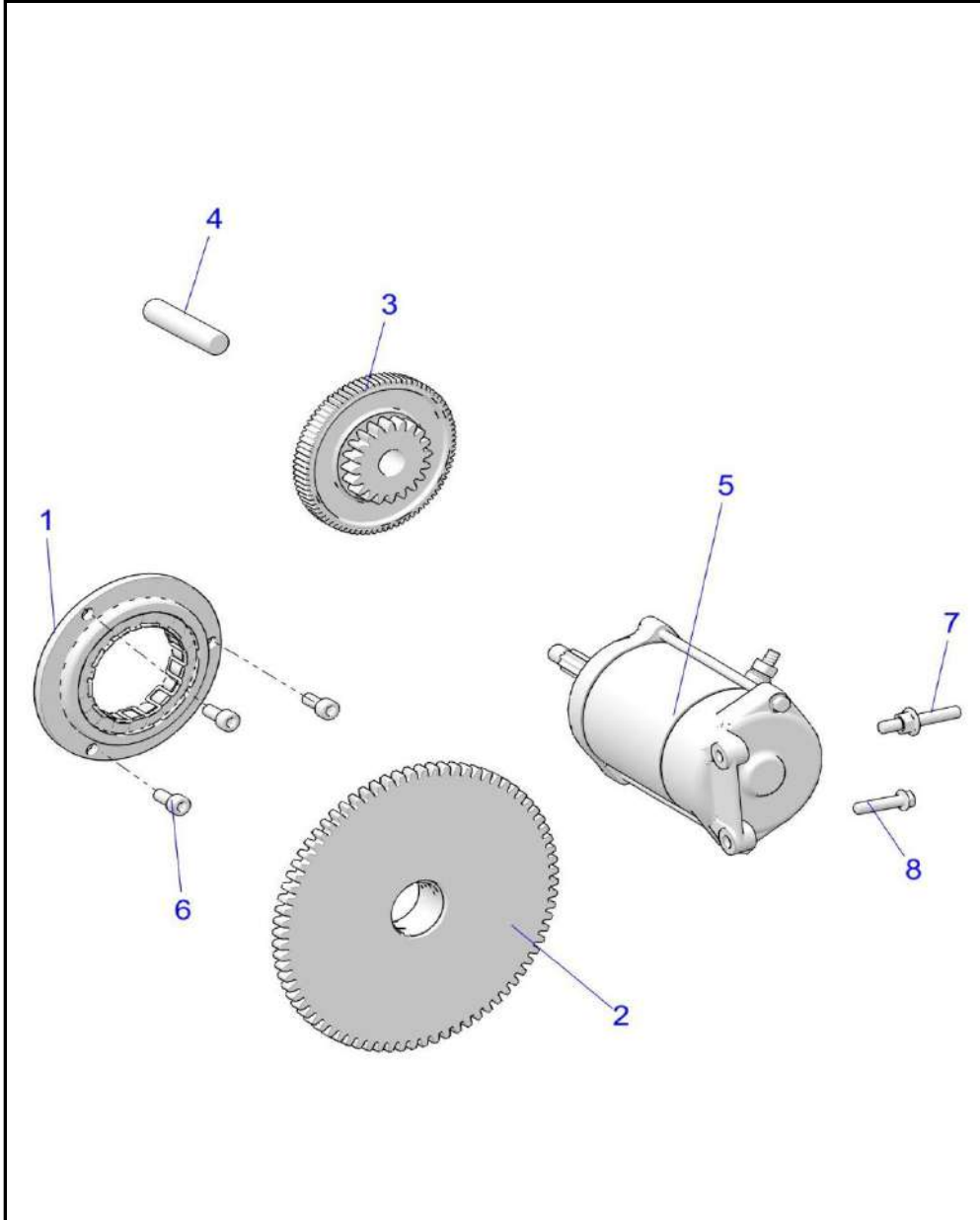
2023 RZR TRAIL S 1000 EPS EU/TRACTOR INTL (R02) - Z23ASE99F4/S99C4/F4



POS	OEM Part #	Part Name	Qty
1	1039414	PUMP, OIL [INCL. 3,O-RING]	1
1	1045274	O-RING,OIL PUMP	1
2	1039811	DOWEL, HOLLOW, OIL PUMP	2
3	-----	SPROCKET, OIL PUMP	1
4	1039747	SCREW-SH-M6X1.0X16 8.8 ZPY D204	4
5	1039660	SCR-M6X1.0X35,HX/FL-Y/D	3
6	1039352	COOLER, OIL TO WATER, 7	1
7	1006092	Filter, Oil, 10 Micron	1
7	1040452	FILTER-HD,OIL [HD OPTION]	1
8	1039385	ADAPTER, FILTER, STRAIGHT	1
9	1039386	PICKUP, OIL PUMP, WET SUMP	1
10	1039418	CHAIN-OIL PUMP DRIVE,G-90	1
11	1039735	SCR-HXFL-M6X1.0X16 8.8 ZYL NYL	1
12	1039540	O-RING,.612X.818X.103	2
13	1039561	SEAL-PICKUP	1
14	1012351	WASHER-19X12X1.3,COPPER	1
15	1014028	PLUG-SOCKET,M12X1.5 DIN 908A	1

ENGINE, STARTER and DRIVE

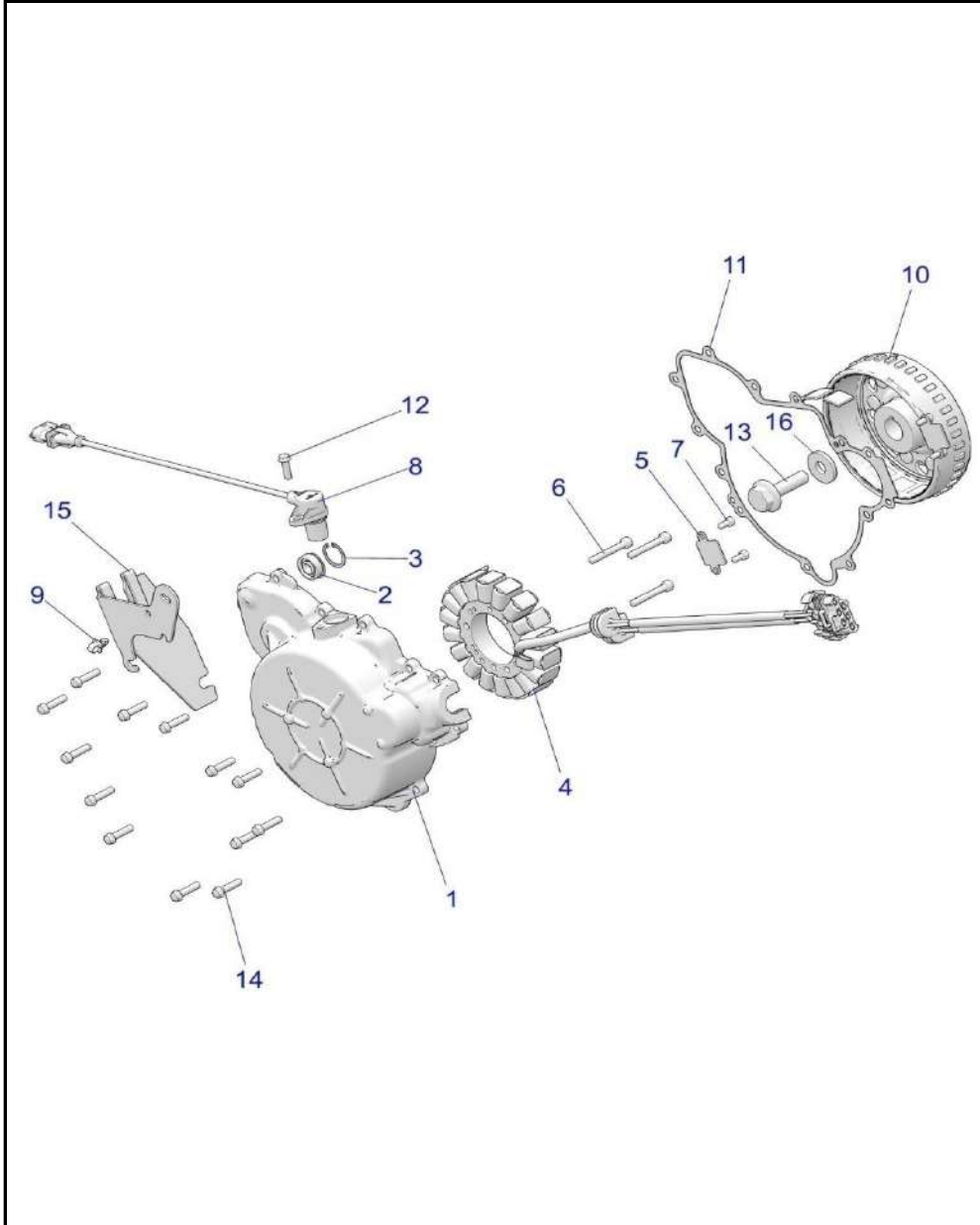
2023 RZR TRAIL S 1000 EPS EU/TRACTOR INTL (R02) - Z23ASE99F4/S99C4/F4



POS	OEM Part #	Part Name	Qty
1	1002291	ASM., SPRAG CLUTCH, HUB, STARTER	1
2	1002282	ASM., GEAR, STARTER , CRANK [TO 12/02/2022]	1
2	-----	ASM-GEAR,STARTER,CRANK [FROM 12/02/2022]	1
3	1045275	ASM., TORQUE LIMIT GEAR	1
4	1007006	PIN, TORQUE LIMIT GEAR	1
5	1009586	STARTER, 9T, CW, ROT, SPACER	1
6	1014428	SCREW-M6X1.0X14.0,HX/SOC/CP-Y/D	3
7	1039736	STUD-DOUBLE,END,M6X1.0X25/10	1
8	1039744	SCREW-HXFLG,M6X1.0X25,10.9	1

ENGINE, STATOR and COVER

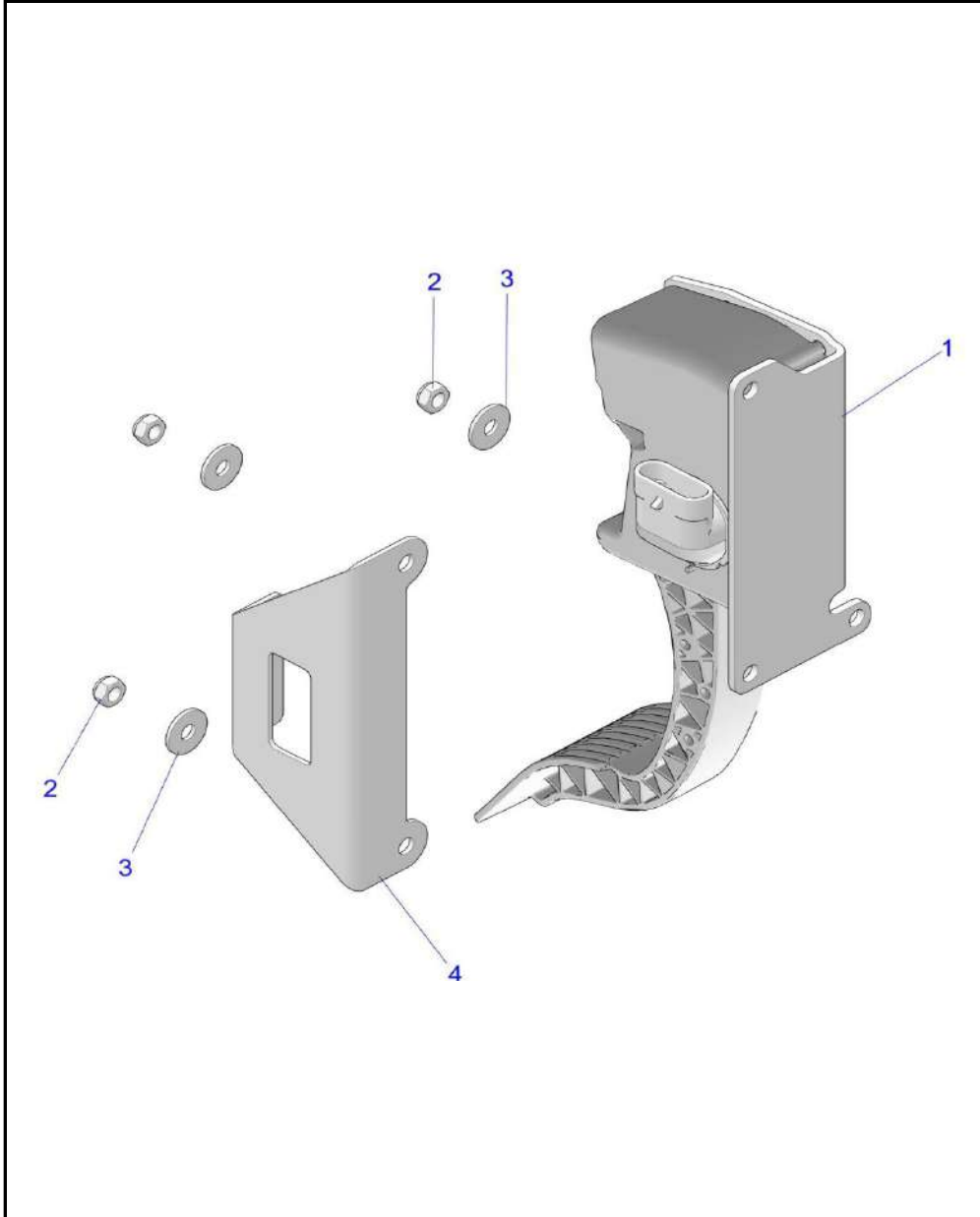
2023 RZR TRAIL S 1000 EPS EU/TRACTOR INTL (R02) - Z23ASE99F4/S99C4/F4



POS	OEM Part #	Part Name	Qty
1	1045276	ASM-IGN COVER,STARTER BRG [INCL. 3,4]	1
2	1039484	BEARING-BALL,9X24X7	1
3	1039819	RING-SNAP,DIN472,24X1.2MM	1
4	1009592	STATOR	1
5	1039512	BRACKET, RETAINER, WIRE	1
6	1039653	SCR-M6X1.0X40,HX/SOC/CP-Y/D	3
7	1039665	SCREW-M5X0.8X10 SOC/CP-D	2
8	1005829	SENSOR, CRANK POSITION	1
9	1040407	CLIP-WIRE, 6.35MM	1
10	1039489	FLYWHEEL	1
11	1012355	GASKET, COVER, IGNITION	1
12	1039698	SCREW-HXFL-M6X1.0X20 8.8 ZY3	1
13	1014481	SCREW-HXFL-M12X1.25X43 12.9	1
14	1039744	SCREW-HXFLG,M6X1.0X25,10.9	13
15	1040405	BRACKET, BYPASS, SHIFTER	1
16	1014531	WSHR-32X12X4,HARD	1

ENGINE, THROTTLE PEDAL

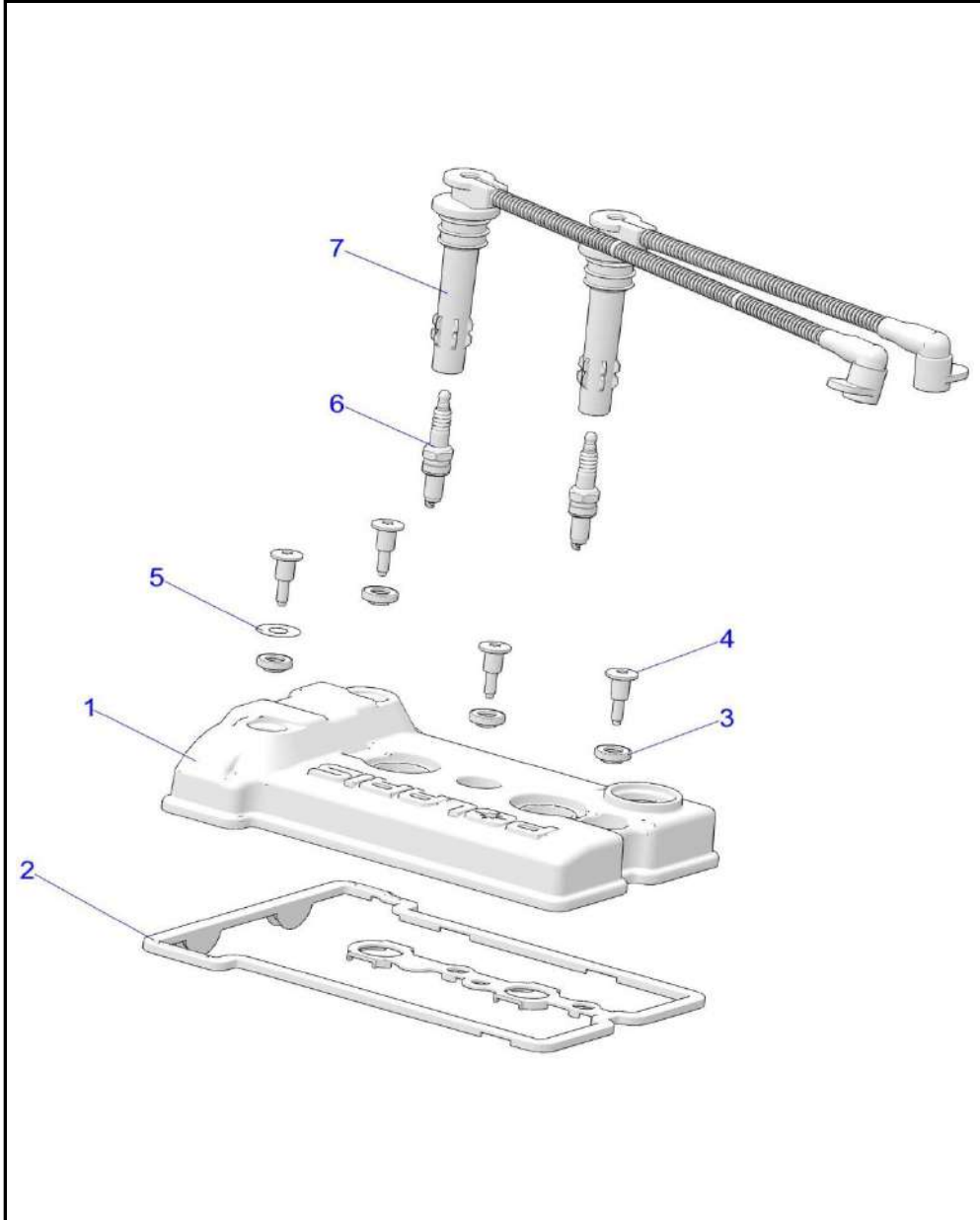
2023 RZR TRAIL S 1000 EPS EU/TRACTOR INTL (R02) - Z23ASE99F4/S99C4/F4



POS	OEM Part #	Part Name	Qty
1	1009578	PEDAL, ELECTRONIC, THROTTLE	1
2	1039773	NUT-6MM X 1 NYLOK-Z	3
3	1039804	WASHER-6.4X18.0X1.6 ZC	3
4	1039895	PEDAL-BRACKET,M.BLK	1

ENGINE, VALVE COVER, SPARKPLUGS and WIRES

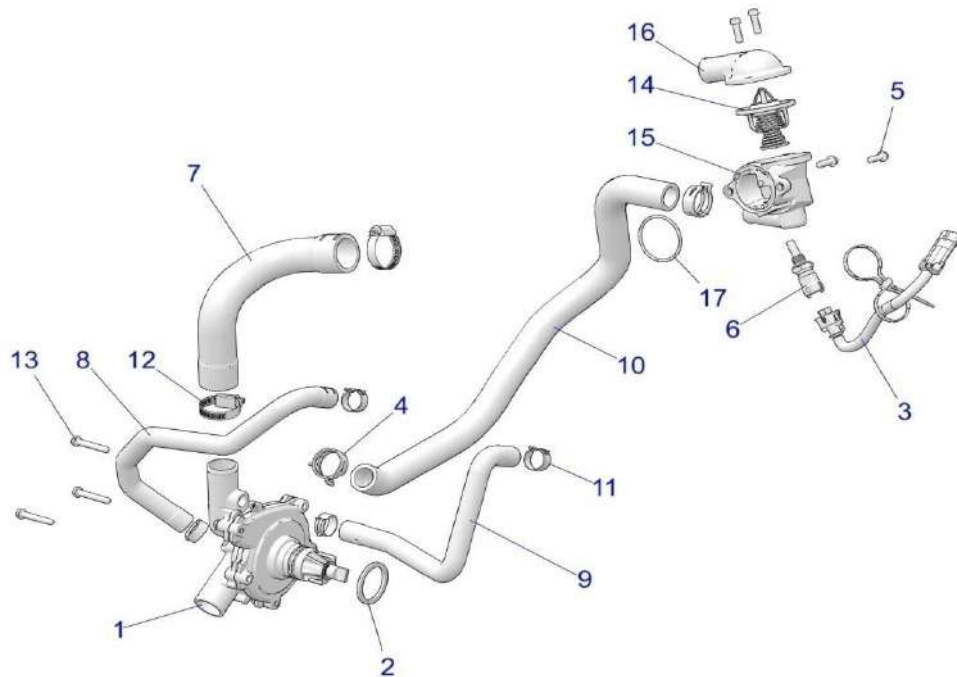
2023 RZR TRAIL S 1000 EPS EU/TRACTOR INTL (R02) - Z23ASE99F4/S99C4/F4



POS	OEM Part #	Part Name	Qty
1	1045278	COVER-VALVE,CAST,2CYL,DOHC	1
2	1011807	SEAL, VALVE COVER, 2CY	1
3	1011796	ISOLATOR, VALVE COVER	4
4	1039730	SCREW-TXPH-M6X1.0X14 8.8 A2K SHB	4
5	1014530	WASHER, GROUNDING	1
6	1007009	PLUG, SPARK, 10 MM	2
7	1009604	WIRE, SPARK PLUG, PTO	1

ENGINE, WATERPUMP AND BYPASS

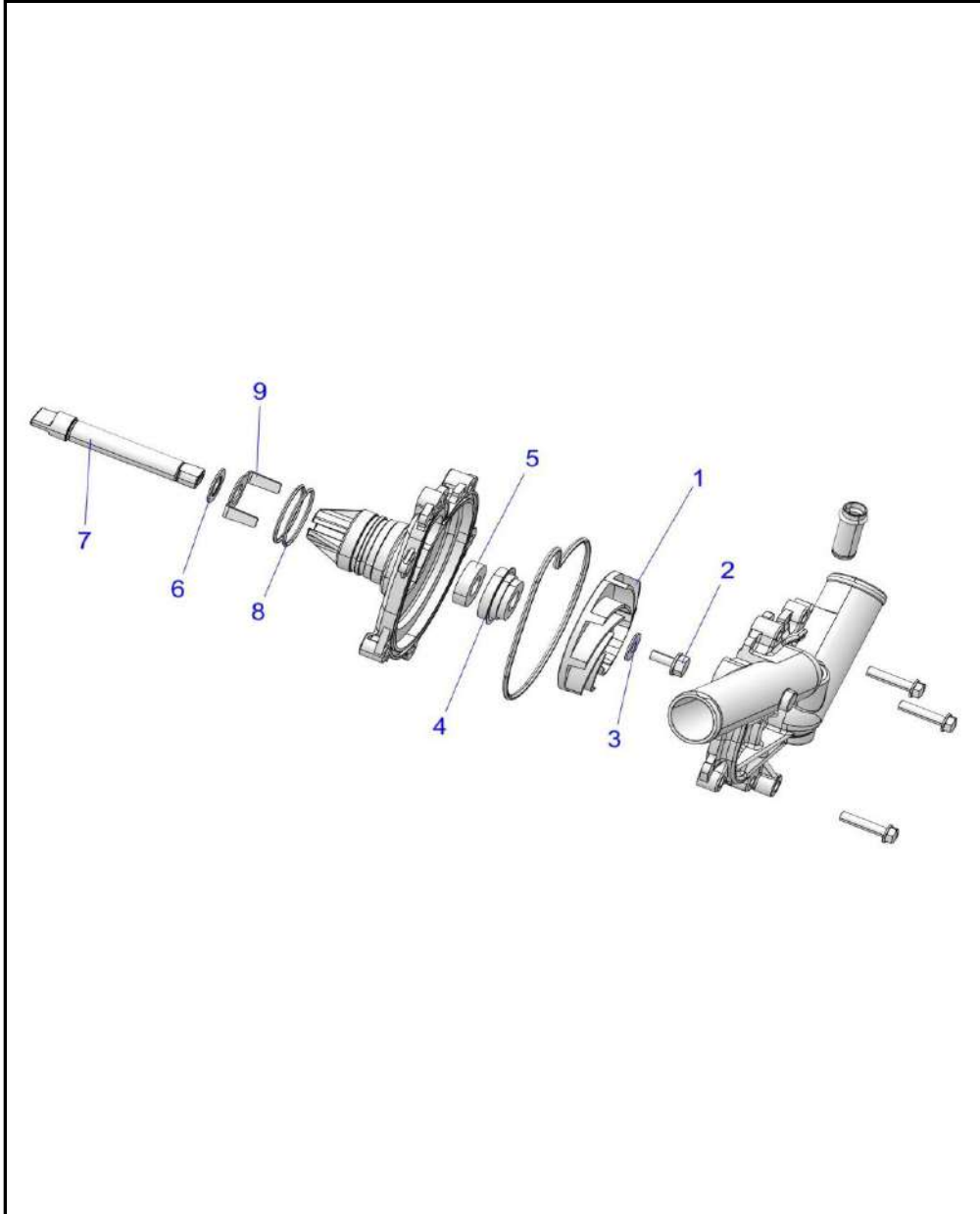
2023 RZR TRAIL S 1000 EPS EU/TRACTOR INTL (R02) - Z23ASE99F4/S99C4/F4



POS	OEM Part #	Part Name	Qty
1	1002290	ASM, WATERPUMP	1
2	1039601	FILTER, WATER PUMP	1
3	1039490	WIRE, THERMISTER LEAD	1
4	1039637	CLAMP, SPRINGBAND	2
5	1039698	SCREW-HXFL-M6X1.0X20 8.8 ZY3	4
6	1009561	SENSOR, THERMISTER	1
7	1045284	HOSE, WATER PUMP OUT, FORMED	1
8	1045285	HOSE, OIL COOLER OUTLET	1
9	1045286	HOSE, OIL COOLER IN	1
10	1045287	HOSE, BYPASS	1
11	1039625	CLAMP-HOSE,SPRING .81	4
12	1039628	CLAMP, HOSE (WORM DR) 25-40MM	2
13	1014452	SCR-HXFL-M6X1.0X35, W/PATCHLOK	3
14	1014031	THERMOSTAT, DOUBLE, ACTING, 1MM	1
15	1045731	HOUSING-THERMOSTAT,MACH	1
16	1039587	COVER, THERMOSTAT, CAST	1
17	1045289	O-RING	1

ENGINE, WATERPUMP ASSEMBLY

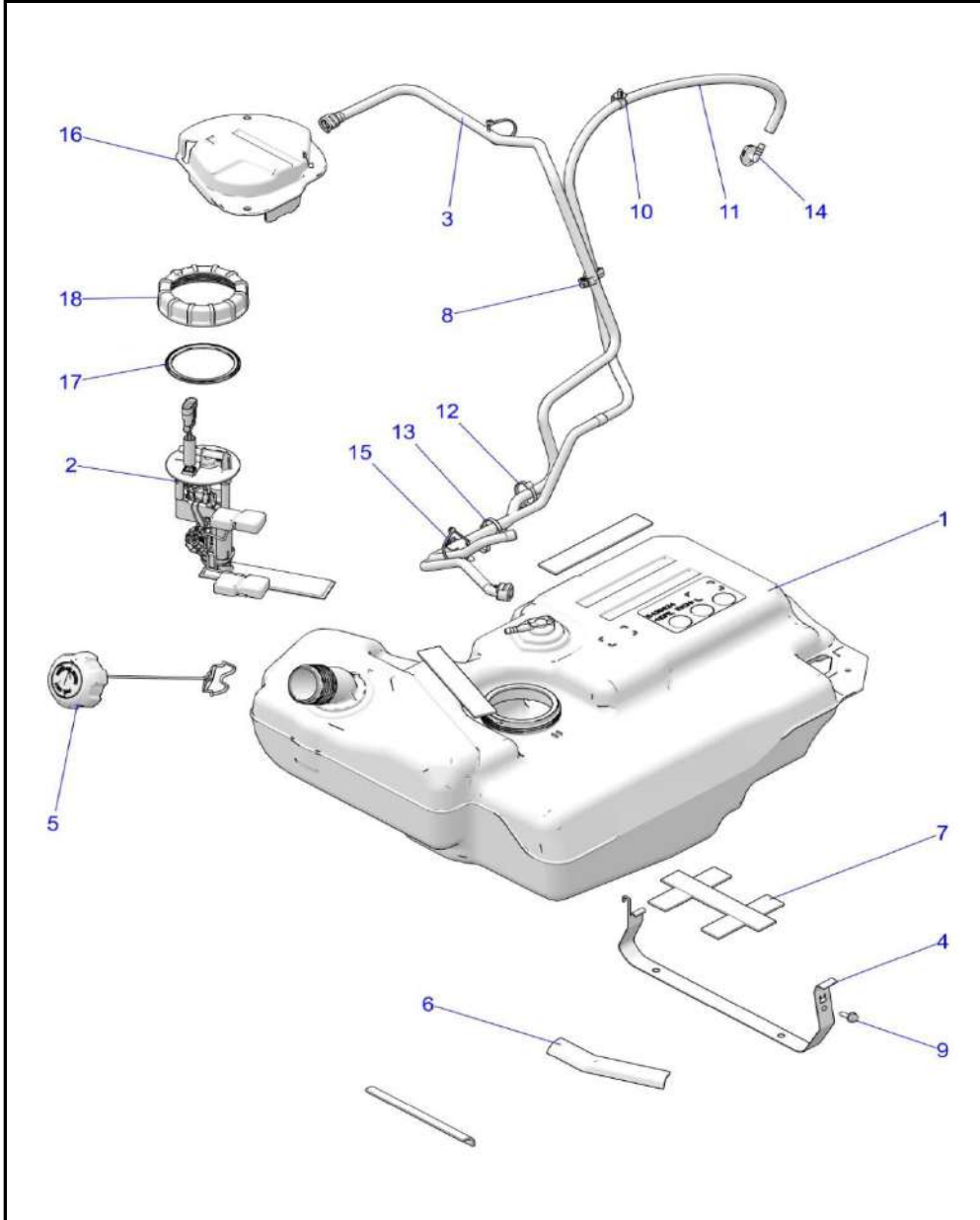
2023 RZR TRAIL S 1000 EPS EU/TRACTOR INTL (R02) - Z23ASE99F4/S99C4/F4



POS	OEM Part #	Part Name	Qty
	-----	ASM., WATERPUMP [INCL. ALL]	1
1	1040417	IMPELLER, WATERPUMP	1
2	1040416	SCREW	1
3	1040415	WASHER, IMPELLER	1
4	1040414	SEAL, WATERPUMP SHAFT, MECHANICAL	1
5	1040413	SEAL, WATERPUMP SHAFT, OIL	1
6	1040412	WASHER, WATERPUMP, RETAINER	1
7	1040411	SHAFT, WATERPUMP,	1
8	1040410	O-RING	1
9	1040409	WASHER, WATERPUMP,RETAINER	1

FUEL SYSTEM, FUEL TANK

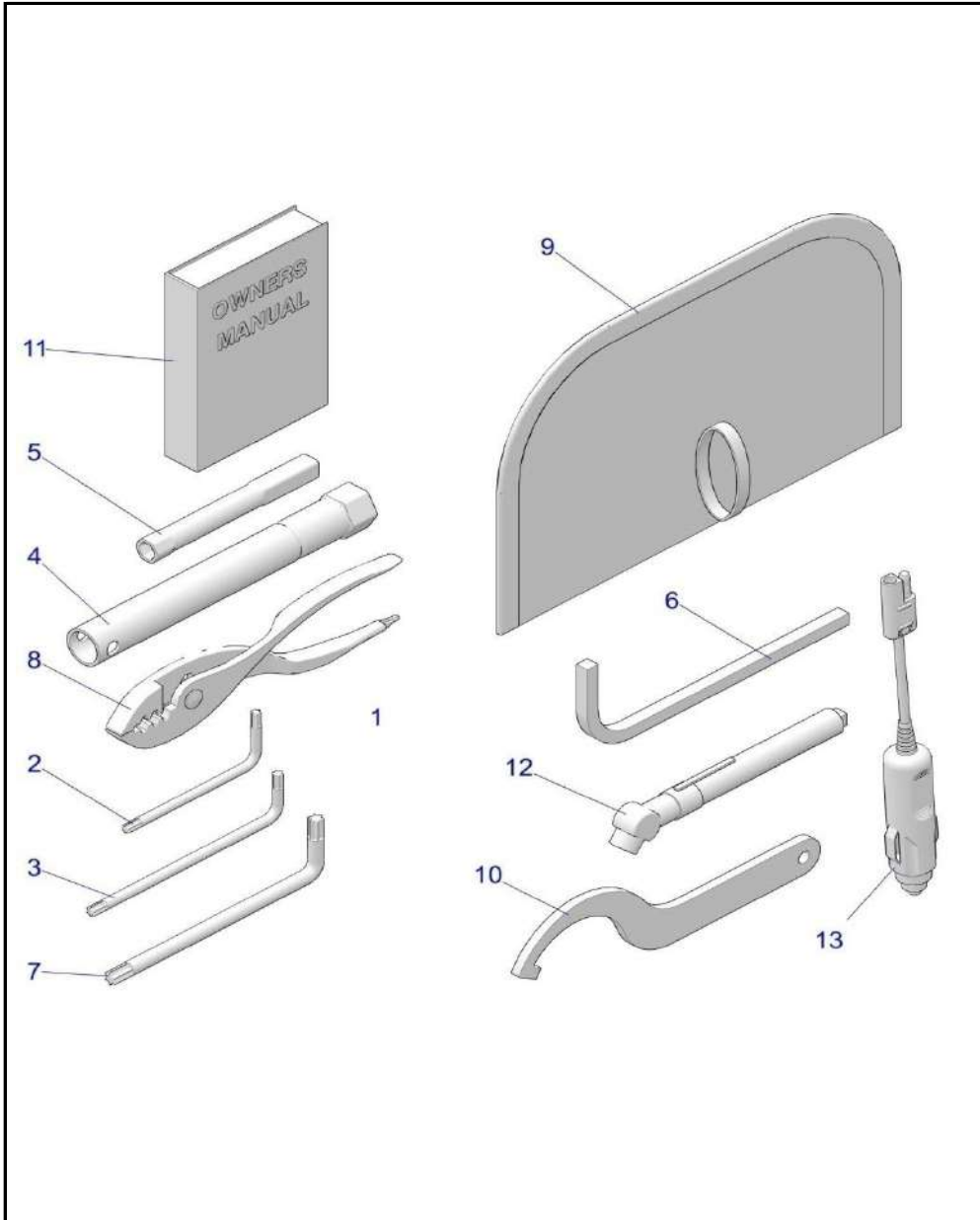
2023 RZR TRAIL S 1000 EPS EU/TRACTOR INTL (R02) - Z23ASE99F4/S99C4/F4



POS	OEM Part #	Part Name	Qty
1	1045732	ASM-FUEL TANK,1000S [INCL. 2]	1
2	1045733	K-FUEL PUMP,RZR-GEN1000	1
3	1045734	ASM-FUEL LINE	1
4	1039887	STRAP, FUEL TANK, BLK	1
5	1045307	CAP-GAS TANK,TETHER,8.5	1
6	1039594	PAD-BATTERY	5
7	1045735	PAD-TANK STRAP	2
8	1040137	CLIP-HARNES 3-13MM INTERLCK	2
9	1039683	SCR-M6X1.0X20, HXHD, FLG, TDFM, BK	1
10	1039817	CLIP, ROUTING, .472 B.D., HINGED	1
11	1045736	ASM-VENT LINE,135CM	1
12	1014065	CLIP-ROUTING	1
13	1045737	CLIP FIR-TREE,DOUBLE LOOP	1
14	1039581	FITTING-VENT LINE,90	1
15	1014060	CABLE-TIE,10-102MM,WEATH.-RES.	2
16	1045308	PANEL-ACCESS,TANK,BLK	1
17	1045311	GASKET, PFA, RIBBED	1
18	1045312	NUT, MASON JAR	1

REFERENCE, OWNERS MANUAL AND TOOL KIT

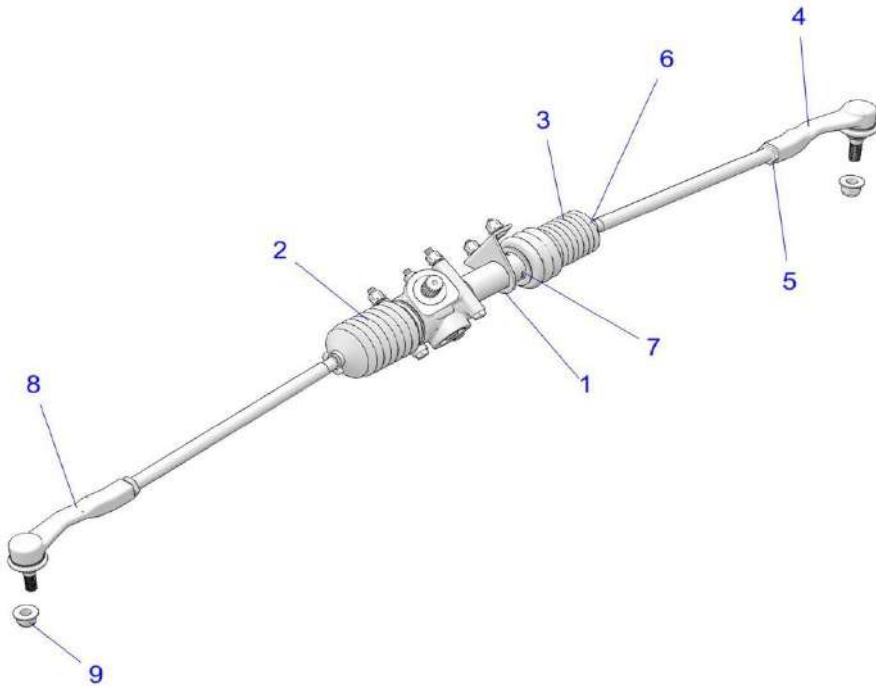
2023 RZR TRAIL S 1000 EPS EU/TRACTOR INTL (R02) - Z23ASE99F4/S99C4/F4



POS	OEM Part #	Part Name	Qty
1	1006632	KIT, ACCESSORY TOOL RANGER [INCL. 2-8]	1
2	1039400	WRENCH, TORX, T-25	1
3	-----	WRENCH, TORX, T-27	1
4	-----	SOCKET-SPARK PLUG	1
5	-----	DRIVER-NUT,8MM	1
6	-----	HANDLE, LONG-NUT DRIVER, 8MM	1
7	1039403	WRENCH, TORX, T-40	1
8	1039401	PLIERS, COMBO, #2 ASSEMBLY	1
9	1039394	POUCH, TOOL KIT, 9 INCH	1
10	1045313	WRENCH, SPAN/SPREADER, BLACK	1
11	-----	MAN-OWN, 23 RZR 1000, INTL [E99F4][C4][C5]	1
11	-----	MAN-OWN, 23 RZR 1000, ZUG [S99F4]	1
12	1039402	GAUGE, TIRE PRESSURE, 30 PSI	1
13	1045316	HARN-12 VOLT POWER PLUG	1

STEERING, GEAR BOX

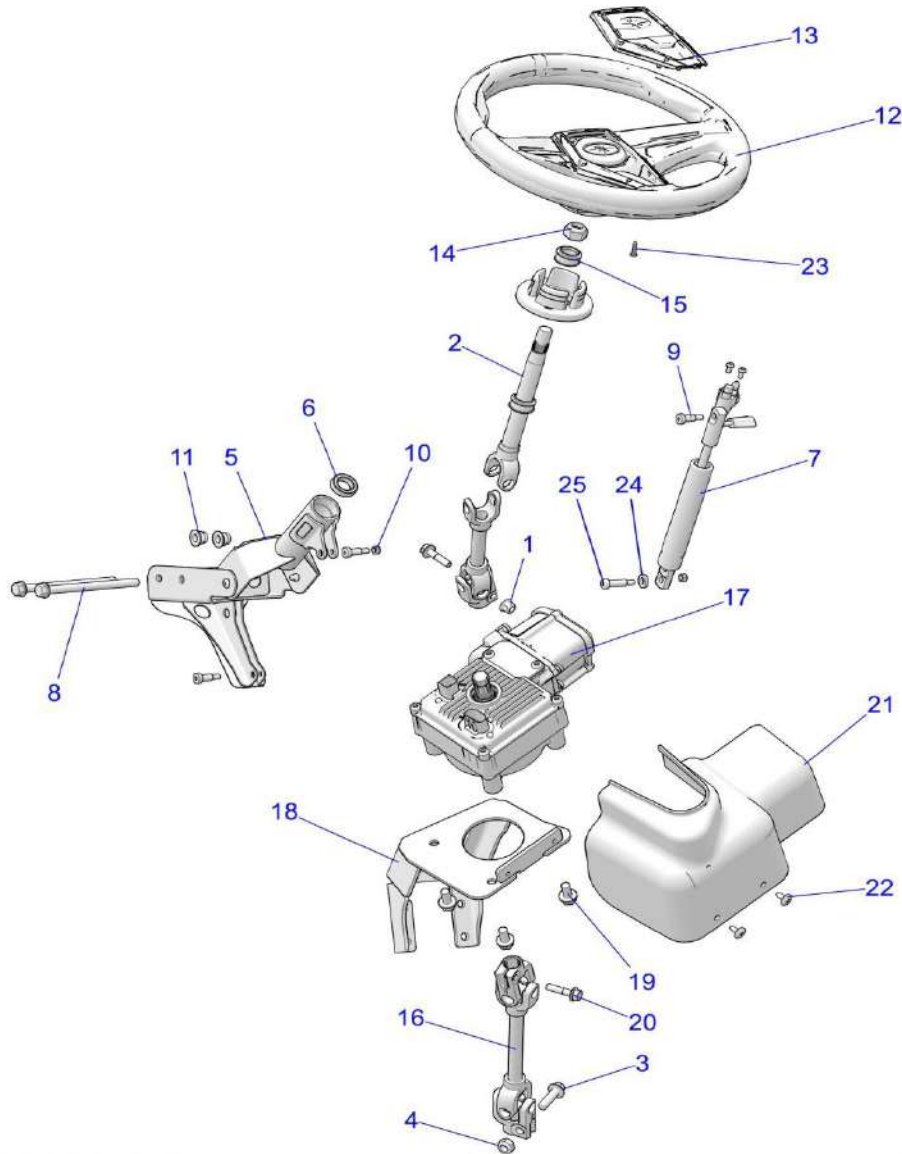
2023 RZR TRAIL S 1000 EPS EU/TRACTOR INTL (R02) - Z23ASE99F4/S99C4/F4



POS	OEM Part #	Part Name	Qty
1	1004099	ASM., GEAR BOX, STEERING [INCL. 2-8]	1
2	1039534	BOOT, DRIVERS SIDE, RACK	1
3	1039535	BOOT, PASSENGER, SIDE RACK	1
4	1014042	ROD, END, TAPERED, RH	1
5	1005156	NUT, JAM, LH THREAD	2
6	1039640	BELLOWS CLAMP, SMALL	2
7	1039624	CLAMP, LARGE, BELLOWS	2
8	1014041	ROD, END, TAPERED, LH	1
9	1014501	NUT-M12X1.5, FLG, NYLOC-OLIVE D	2

STEERING,STEERING ASSEMBLY, EPS

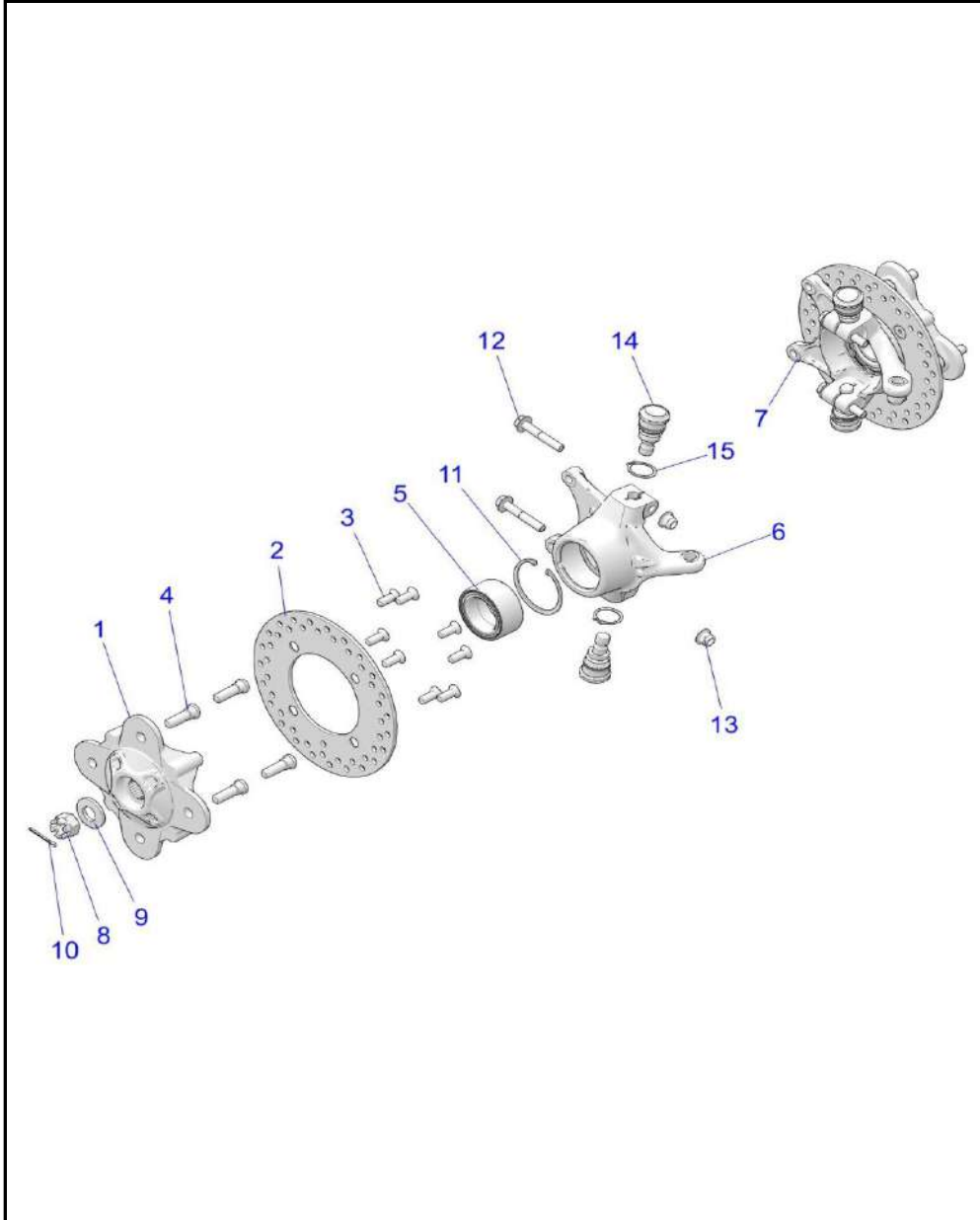
2023 RZR TRAIL S 1000 EPS EU/TRACTOR INTL (R02) - Z23ASE99F4/S99C4/F4



POS	OEM Part #	Part Name	Qty
1	1014499	NUT- M8X1.25, FLG, NYLOC-OLIVE D	7
2	1045318	SHAFT-STEERING,UPPER	1
3	1039702	SCR-HXFL-M10X1.5X35 8.8 ZPC	1
4	1039786	NUT-NY INS,M10X1.5,HEX,ZINC,YW	1
5	1045742	ASM-TILT,STEER,RVTD,M10,MT,BLK [INCL. 6]	1
6	1040467	BEARING, STEERING	2
7	1014013	ASM-SHOCK,OIL LOCKING,SHORT	1
8	1039703	BOLT-M10X1.25X130,HXFLG-OLIVED	2
9	1039761	SCR-SH-M6X1.0X11 12.9 ZB SHB	1
10	1039773	NUT-6MM X 1 NYLOK-Z	2
11	1014500	NUT-M10X1.25, FLG, NYLOC-OLIVE D	2
12	1045743	WHEEL, STEERING	1
13	1045744	CAP-STEERING WHEEL	1
14	1039791	NUT-HEX-M16X2, 8 ZC NYL	1
15	1014528	BUSHING-STEERING	2
16	1045745	SHAFT-STEERING LWR,EPS	1
17	1005858	ASM-POWER STEERING,RZR,2.0T	1
18	1045321	MOUNT-EPS,ECOAT	1
19	1039690	BOLT-M10X1.25X20,HXFLG-OLV D	3
20	1039716	SCR-HXFL-M8X1.25X35 8.8 ZODv	2
21	1039562	COVER, EPS	1
22	1039720	SCR-TXTH-M6X1.0X15 ZPB TAP	2
23	1045746	SCR-#8X3/4-HI/LO-PN-T20TRX-ZTB	2
24	1045747	WASHER 8.4X16.7	1
25	1045748	SCREW-M6X25,ISO7379	1

SUSPENSION, FRONT CARRIER

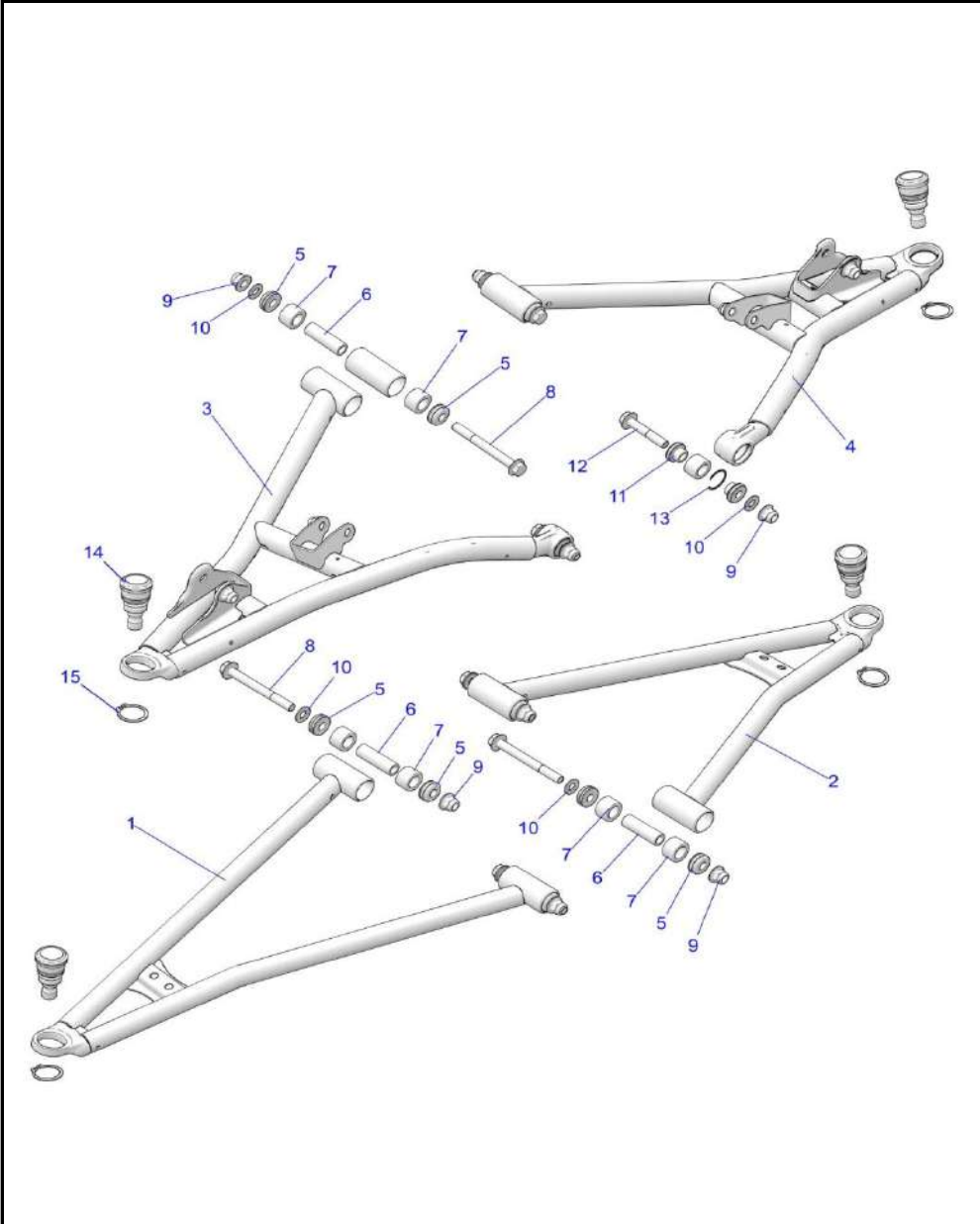
2023 RZR TRAIL S 1000 EPS EU/TRACTOR INTL (R02) - Z23ASE99F4/S99C4/F4



POS	OEM Part #	Part Name	Qty
1	1045749	HUB-WHEEL,MACH,BLK	2
2	1011519	DISC-BRAKE, FRONT	2
3	1014439	SCR-M10X1.5X20 8.8 TXCS FL ZOD	8
4	1014462	STUD-WHEEL,M12-1.5	8
5	1008460	BEARING-BALL,SEALED,44X72X33.1 (HEAVY DUTY)	2
6	1045750	CARRIER-BEARING,WHEEL,LH(MACH)	1
7	1045751	CARRIER-BEARING,WHEEL,RH(MACH)	1
8	1014502	NUT-M18X1.5,CASTLE,ZINC/YELLOW	2
9	1045351	WSHR-BLVL,19X42X4.5-5.08	2
10	1014587	PIN-COTTER 1/8X1 1/2-Y	2
11	1014626	RING, RETAINING, 2.835, INTERNAL	2
12	1014454	SCR-HXFL-M10X1.25X60 10.9 ZOD	4
13	1014500	NUT-M10X1.25, FLG, NYLOC-OLIVE D	4
14	1014087	BALL-JOINT,10MM STUD	4
15	1014623	RING-RETAINER,EXTERNAL,1.188	4

SUSPENSION, FRONT CONTROL ARMS

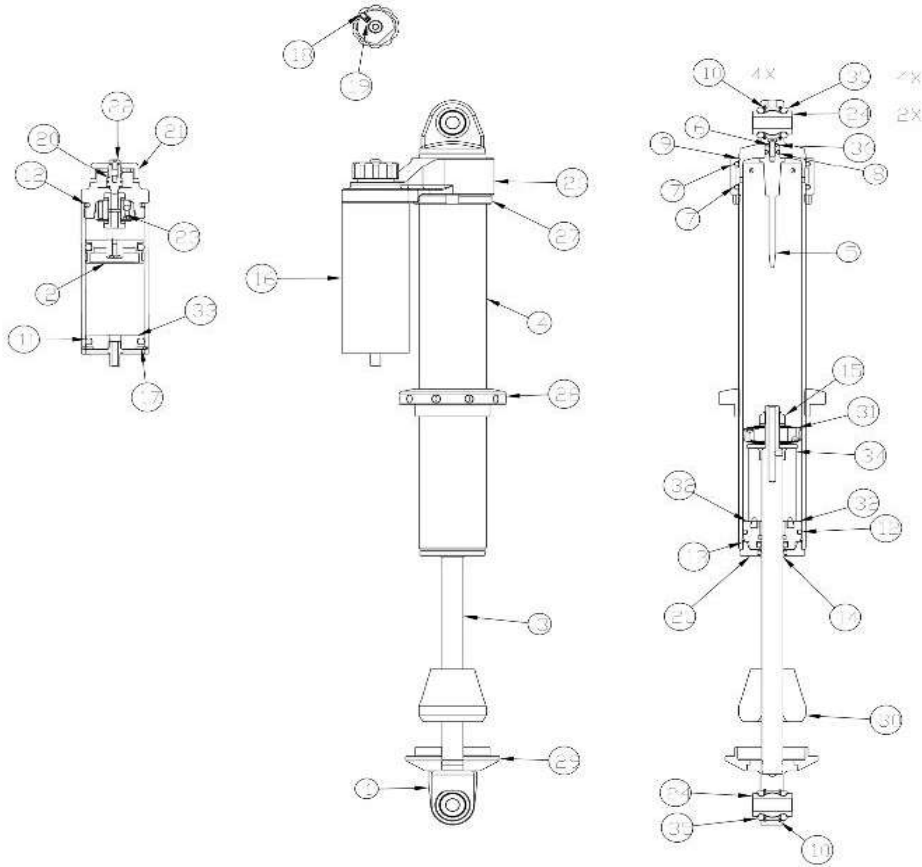
2023 RZR TRAIL S 1000 EPS EU/TRACTOR INTL (R02) - Z23ASE99F4/S99C4/F4



POS	OEM Part #	Part Name	Qty
1	1001516	WELD-CTRL ARM,LWR,FRT,LH,60,BL	1
2	1001517	WELD-CTRL ARM,LWR,FRT,RH,60,BL	1
3	1001548	WELD-CTRL ARM,UPR,FRT,LH,60,BK	1
4	1001549	WELD-CTRL ARM,UPR,FRT,RH,60,BK	1
5	1003526	ASM-PIVOT CAP, SEALED, M10	12
6	1011216	SHAFT-PIVOT,SHORT,M10	6
7	1011925	BUSHING-STANDARD, SUSP, M10	14
8	1014442	SCR-HXFL-M10X1.25X95 10.9 ZOD	6
9	1014500	NUT-M10X1.25, FLG, NYLOC-OLIVE D	12
10	1014520	WASHER-3/8 FW SAE STL THRU-HRD	8
11	1003528	ASM-PIVOT CAP,SEALED,SLIM,M10	4
12	1014453	SCR-HXFL-M10X1.25X55 10.9 ZOD	2
13	1014628	28MM SPIRAL RING,STEEL	2
14	1014087	BALL-JOINT,10MM STUD	4
15	1014623	RING-RETAINER,EXTERNAL,1.188	4

SUSPENSION, FRONT SHOCK INTERNALS

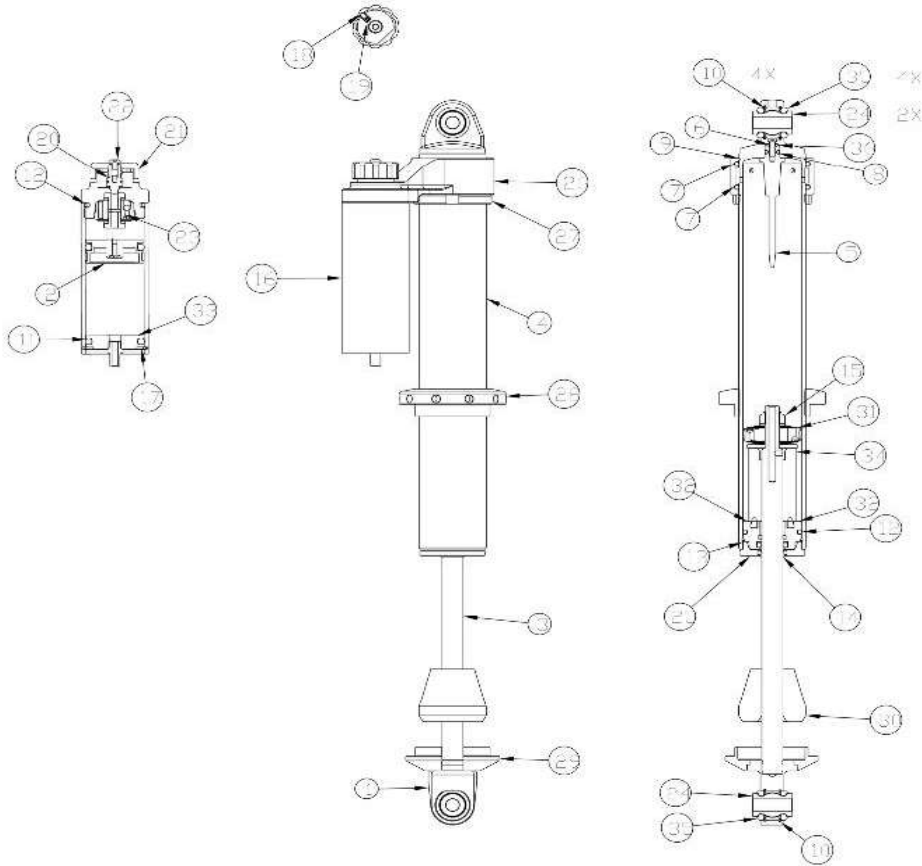
2023 RZR TRAIL S 1000 EPS EU/TRACTOR INTL (R02) - Z23ASE99F4/S99C4/F4



POS	OEM Part #	Part Name	Qty
	-----	SHOCK-FRONT,2 RESVR,PIGGYBK,LH [INCL. ALL]	1
	-----	SHOCK-FRONT,2 RESVR,PIGGYBK,RH [INCL. ALL]	1
1	1040488	Shaft Loop, .625THD (Anodize Clear)	1
2	1040501	IFP PISTON ASM 1.750, W- BLEED	1
3	-----	12.150L SHAFT-CHROME NEEDLE	1
4	-----	Body, CO, 2.0 (Anodize Hard Clear)	1
5	1040491	NEEDLE-1PC PRESS IN 1620008	1
6	1040493	#8-32 X .500 LOW HEAD SCREW	1
7	1040495	O-RING, 2-226 1600018	2
8	1040494	O-RING, 2-108 1600026	1
9	1040498	RING-RETAINING 1520119	1
10	1040509	RING, SNAP, END BEARING	4
11	1040500	O-RING, 2-324	1
12	1004047	O-RING BODY LOOP	2
13	1004065	RETAINING RING WIRE 0.0625 X 1.750ID	1
14	1040496	WIPER, 5/8" D/TYPE- BLK	1
15	1040497	NUT, CRIMP (CASTLE) 42567	1
16	1040519	RES BODY, 2.0", 5.0L (ANODIZE HARD CLEAR)	1
17	1040499	SNAP RING, 1.75" ID	1
18	1040506	BALL, DETENT 3/16"	1
19	1040507	SPRING-D-TENT	1
20	1040502	ASM-CLICKER STUD 404613	1
21	1040503	KNOB,CLICKER BLK (1000604)	1
22	1040504	SCREW, 10X5/8 BTN SS (500603)	1
23	1046475	ASM. CLICKER PISTON	1
24	1004066	BEARING-HKFS8T-10MM 1600130	2
25	1040512	CAP, WIPER 2.0 PRESS IN (CLEAR ANODIZE)	1
26	1040511	BRIDGE 2.0 WER ADJUSTER (CLEAR)	1
27	1040510	JAMB NUT, 2.0IN ACME (CLEAR)	1
28	1040513	SPRING ADJUSTER 2.0 ACME (CLEAR)	1

SUSPENSION, FRONT SHOCK INTERNALS

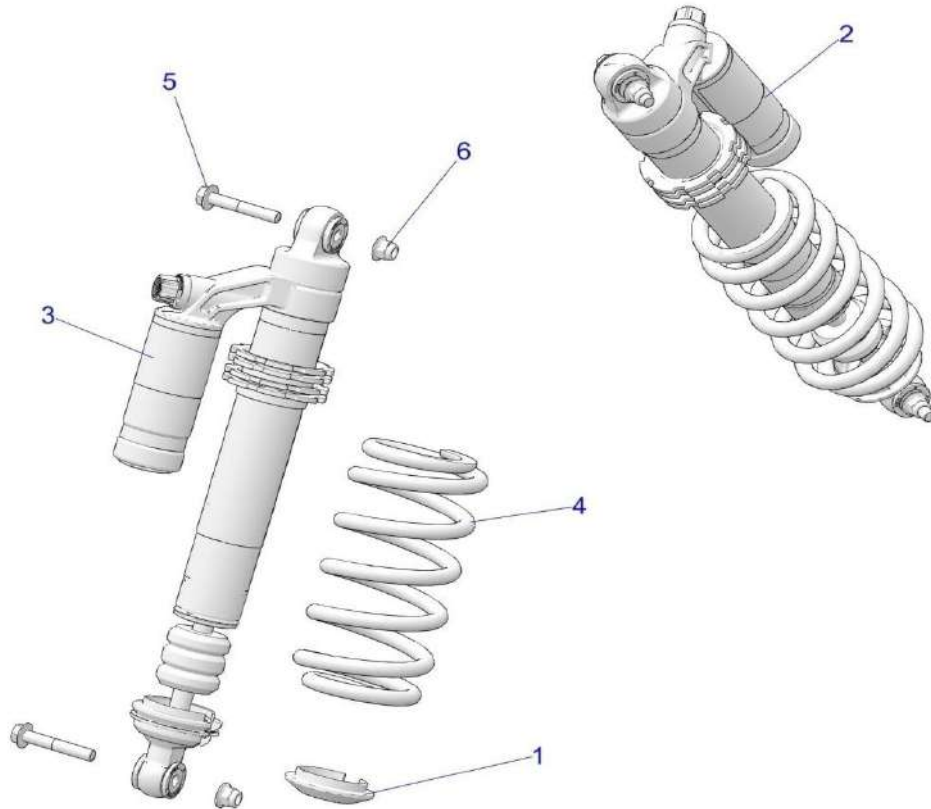
2023 RZR TRAIL S 1000 EPS EU/TRACTOR INTL (R02) - Z23ASE99F4/S99C4/F4



POS	OEM Part #	Part Name	Qty
29	1040524	Retainer, Spring Supplied by Polaris [TO 7/18/2022]	1
29	1045756	RETAINER, SPRING [FROM 7/18/2022]	1
30	1004073	Bump Stop, MCU, 2.00Dia x 1.75L (ISC 140174-N)	1
31	1004059	PISTON, 2.0, .47L, NO BLD (W/ VALVING)	1
32	-----	ASM. SEAL HEAD, 2.0 PRESS IN, BUMPER	1
33	1040516	ASM. END CAP 2in (CLEAR)	1
34	-----	SPACER, 1.45 X 2.365L .144 BLEED	1
35	1004067	O-RING 2-312 1000312	4
36	-----	5mm ID x 2mm thk. O-RING	1
36	-----	O-RING 5MM ID X 2MM 1600073	1

SUSPENSION, FRONT SHOCK MOUNTING

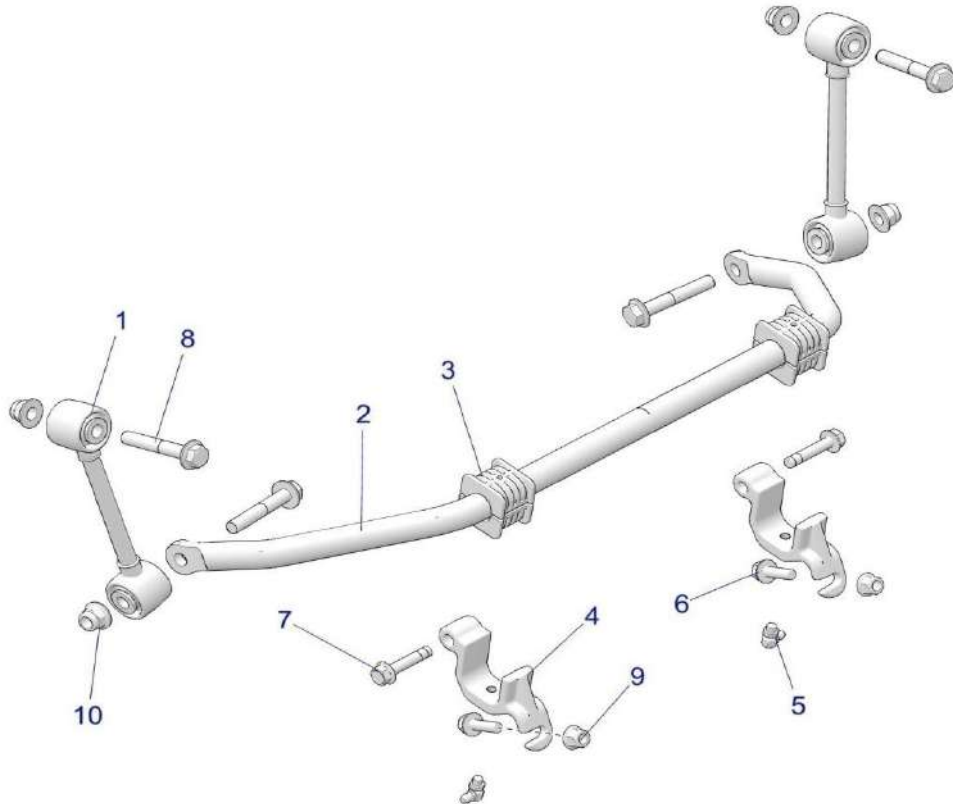
2023 RZR TRAIL S 1000 EPS EU/TRACTOR INTL (R02) - Z23ASE99F4/S99C4/F4



POS	OEM Part #	Part Name	Qty
1	1040524	Retainer, Spring Supplied by Polaris [TO 7/18/2022]	2
1	1045756	RETAINER, SPRING [FROM 7/18/2022]	2
2	-----	SHOCK-FRONT,2 RESVR,PIGGYBK,LH	1
3	-----	SHOCK-FRONT,2 RESVR,PIGGYBK,RH	1
4	1045754	SPR-140#,12FL,2.3-2.3ID,I.RED [E99F4][C4][S99F4]	2
5	1014454	SCR-HXFL-M10X1.25X60 10.9 ZOD	4
6	1014500	NUT-M10X1.25, FLG, NYLOC-OLIVE D	4

SUSPENSION, FRONT, STABILIZER BAR

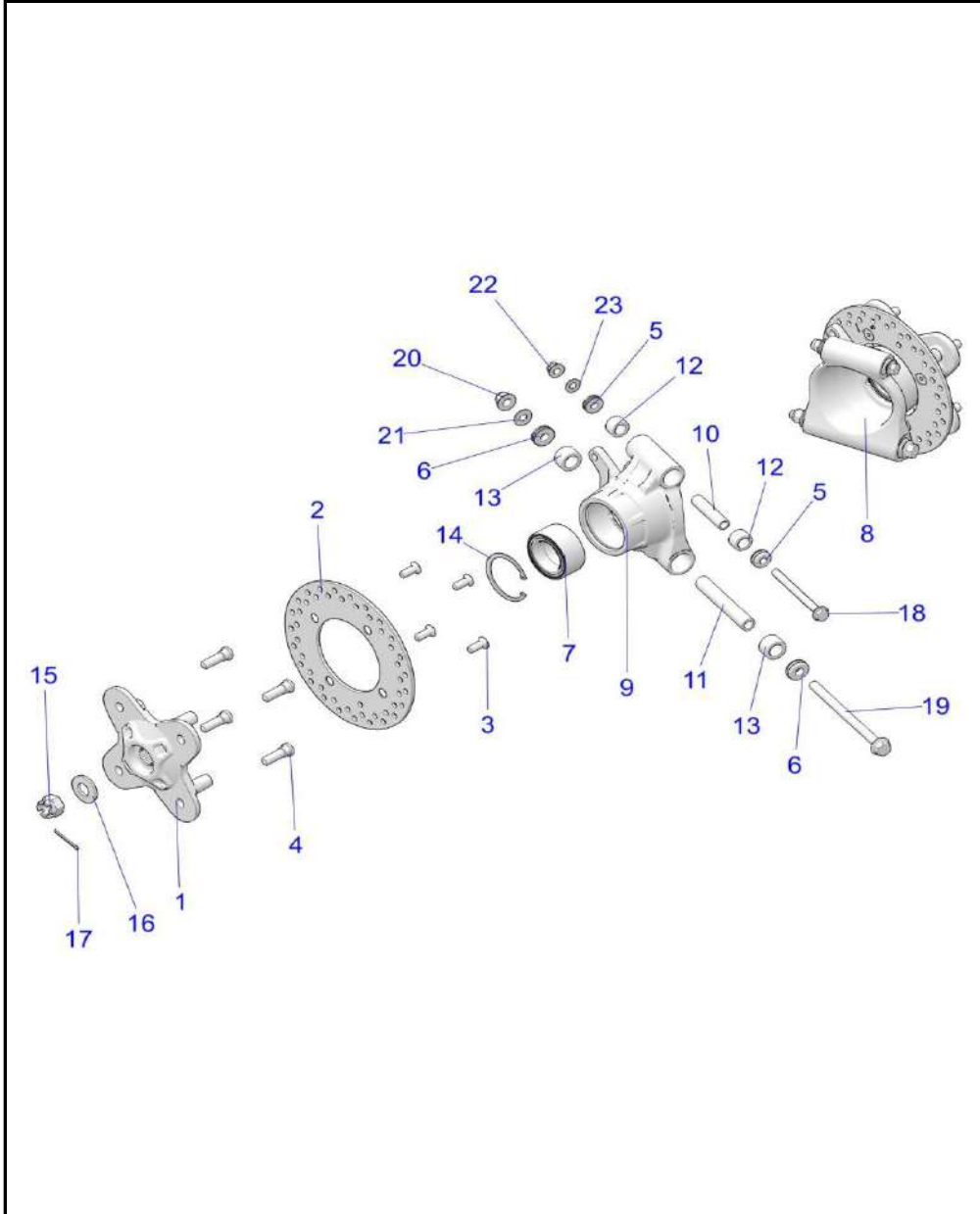
2023 RZR TRAIL S 1000 EPS EU/TRACTOR INTL (R02) - Z23ASE99F4/S99C4/F4



POS	OEM Part #	Part Name	Qty
1	1003532	ASM-LINK STABILIZER BAR,157MM	2
2	1011689	BAR, STABILIZER	1
3	1011927	BUSHING, SWAY BAR	4
4	1045350	BRACKET, CAST, SWAY BAR	2
5	1039616	FITTING-ZERK.25 S/TAP90D-3054B	2
6	1040479	SCR-HXFL-M8X1.25X25 8.8 ZODP30	2
7	1040480	SCR-HXFL-M8X1.25X40 8.8 ZODP30	2
8	1014454	SCR-HXFL-M10X1.25X60 10.9 ZOD	4
9	1014499	NUT- M8X1.25, FLG, NYLOC-OLIVE D	2
10	1014500	NUT-M10X1.25, FLG, NYLOC-OLIVE D	4

SUSPENSION, REAR CARRIER

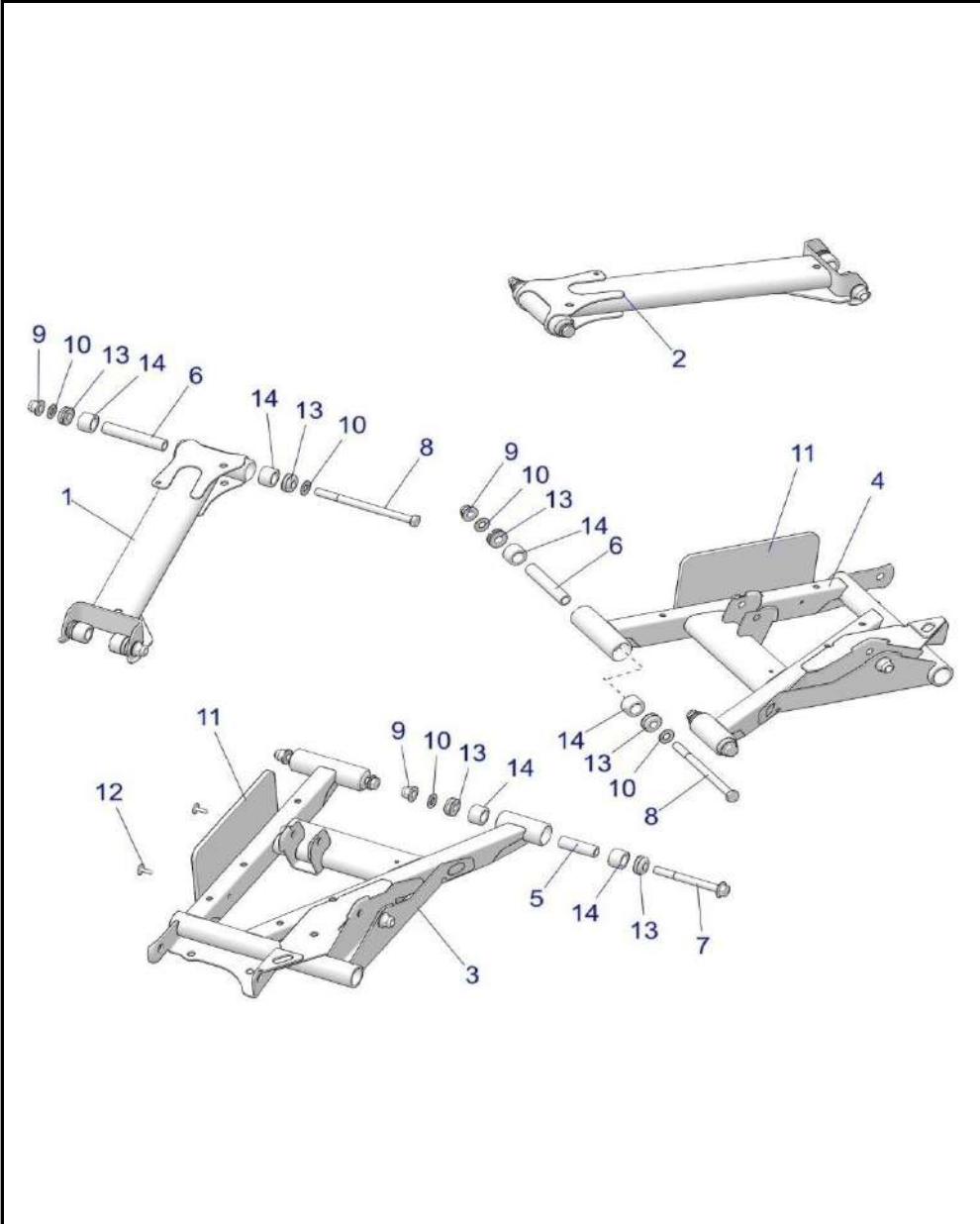
2023 RZR TRAIL S 1000 EPS EU/TRACTOR INTL (R02) - Z23ASE99F4/S99C4/F4



POS	OEM Part #	Part Name	Qty
1	1045749	HUB-WHEEL,MACH,BLK	2
2	1011519	DISC-BRAKE, FRONT	2
3	1014439	SCR-M10X1.5X20 8.8 TXCS FL ZOD	8
4	1014462	STUD-WHEEL,M12-1.5	8
5	1003526	ASM-PIVOT CAP, SEALED, M10	4
6	1003527	ASM-PIVOT CAP, SEALED, M12	4
7	1008460	BEARING-BALL,SEALED,44X72X33.1 (HEAVY DUTY)	2
8	1040483	CARRIER, BEARING, WHEEL, LH	1
9	1040484	CARRIER, BEARING, WHEEL, RH	1
10	1011218	SHAFT-PIVOT, SHORT, M10	2
11	1011219	SHAFT-PIVOT, LONG, M12	2
12	1011925	BUSHING-STANDARD, SUSP, M10	4
13	1011926	BUSHING-STANDARD, SUSP, M12	4
14	1014620	RING-RETAINING,2.875,INTERNAL	2
15	1014502	NUT-M18X1.5,CASTLE,ZINC/YELLOW	2
16	1045351	WSHR-BLVL,19X42X4.5-5.08	2
17	1014587	PIN-COTTER 1/8X1 1/2-Y	2
18	1014458	SCR-HXFL-M10X1.25X115 10.9 ZOD	2
19	1014485	SCR-HXFL-M12X1.5X170 10.9 ZOD	2
20	1014501	NUT-M12X1.5, FLG, NYLOC-OLIVE D	2
21	1014521	WASHER-7/16 SAE,STF,THRU-HRD-Y	2
22	1014500	NUT-M10X1.25, FLG, NYLOC-OLIVE D	2
23	1014520	WASHER-3/8 FW SAE STL THRU-HRD	2

SUSPENSION, REAR CONTROL ARMS

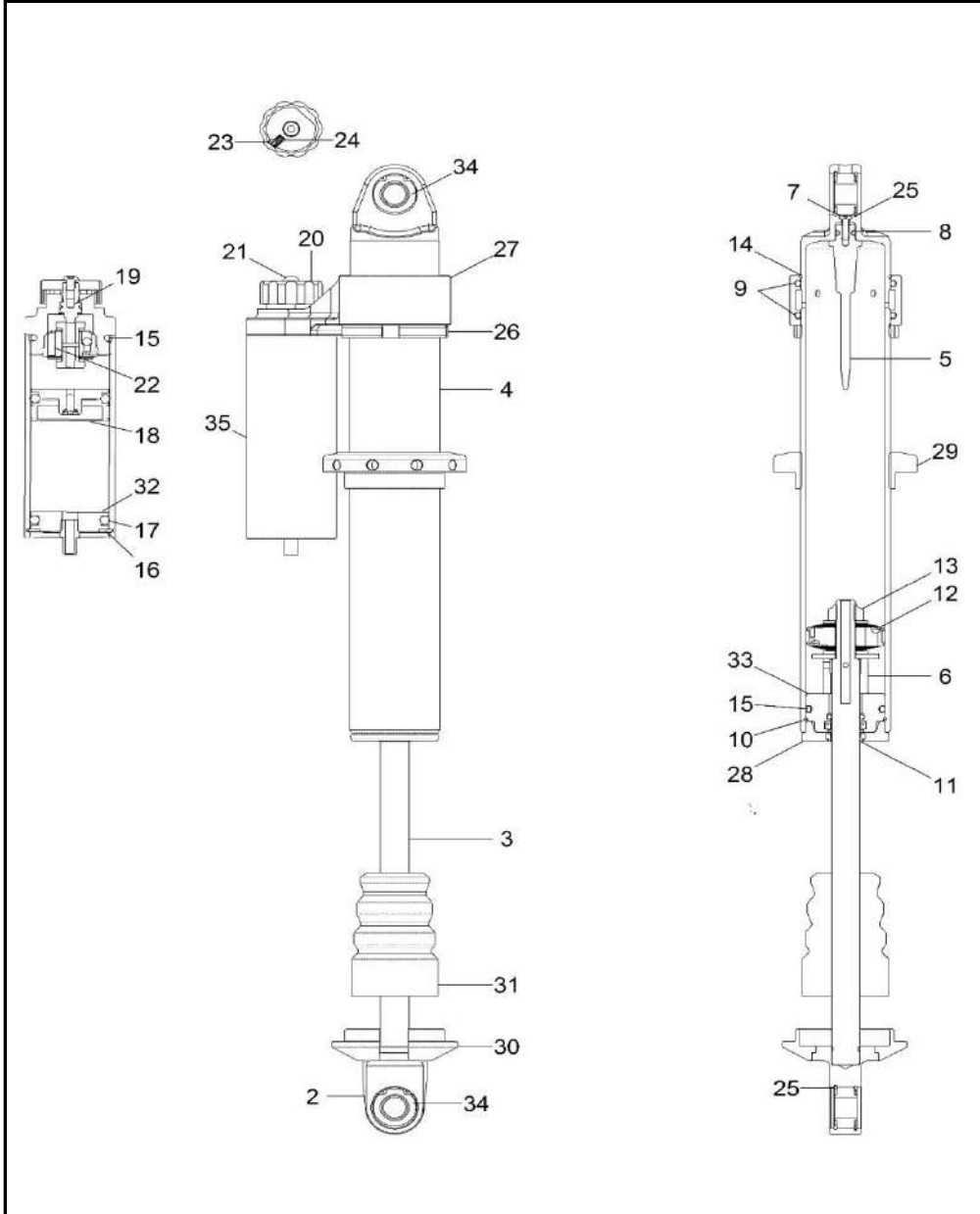
2023 RZR TRAIL S 1000 EPS EU/TRACTOR INTL (R02) - Z23ASE99F4/S99C4/F4



POS	OEM Part #	Part Name	Qty
1	1001512	WELD-A-ARM,REAR,UPR,LH,60,BLK	1
2	1001513	WELD-A-ARM,REAR,UPR,RH,60,BLK	1
3	1001514	WELD-A-ARM,REAR,LWR,LH,60,BLK	1
4	1001515	WELD-A-ARM,REAR,LWR,RH,60,BLK	1
5	1011216	SHAFT-PIVOT,SHORT,M10	2
6	1011217	SHAFT-PIVOT,LONG,M10	4
7	1014442	SCR-HXFL-M10X1.25X95 10.9 ZOD	2
8	1040485	SCR-HH-M10X1.25X140,10.9 ZOD	4
9	1014500	NUT-M10X1.25, FLG, NYLOC-OLIVE D	6
10	1014520	WASHER-3/8 FW SAE STL THRU-HRD	10
11	1011913	SHIELD, CV, REAR, BLACK	2
12	1014565	RVT-3/16(.251-.375)ST-ST-LF-B	4
13	1003526	ASM-PIVOT CAP, SEALED, M10	12
14	1011925	BUSHING-STANDARD, SUSP, M10	12

SUSPENSION, REAR SHOCK INTERNALS

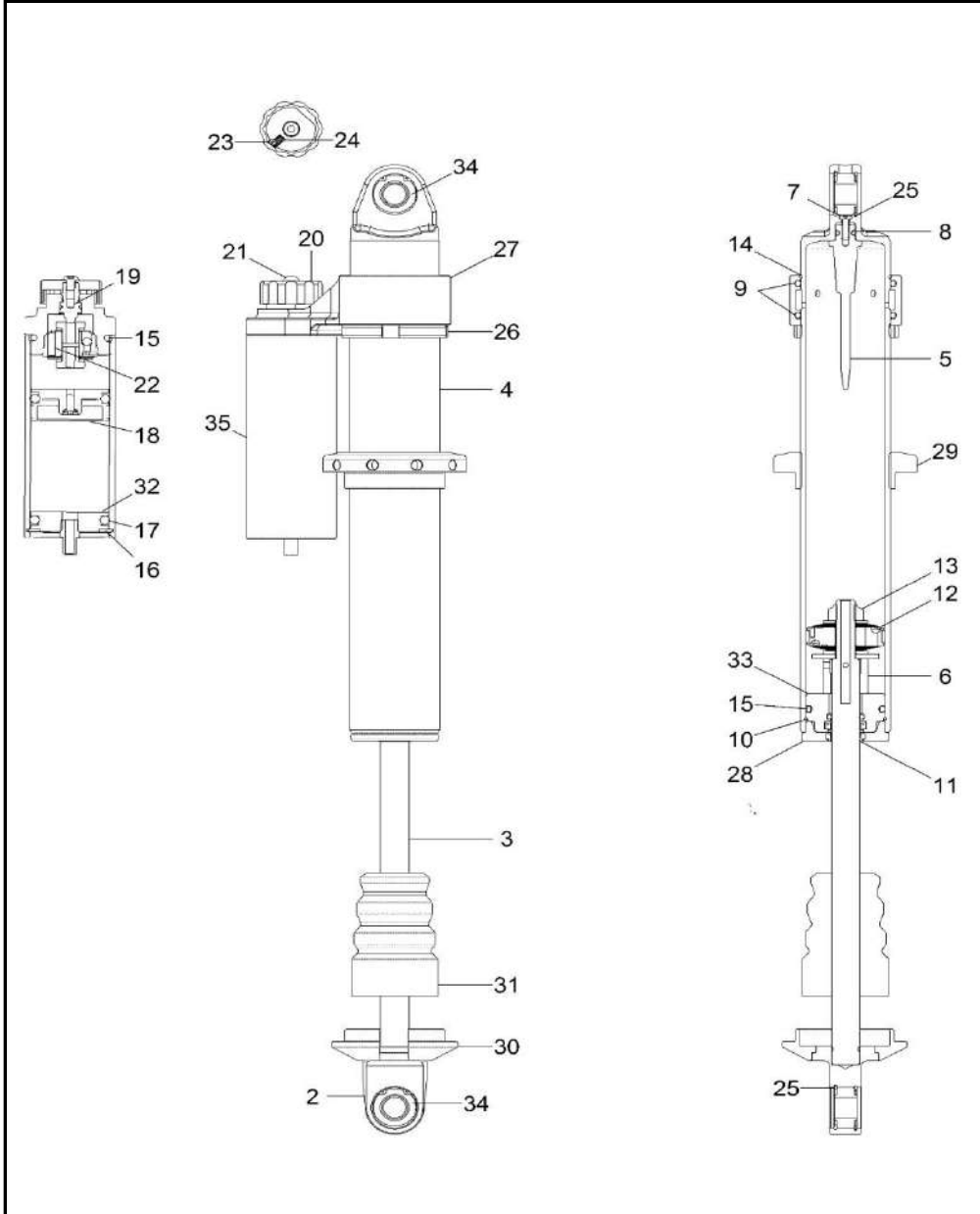
2023 RZR TRAIL S 1000 EPS EU/TRACTOR INTL (R02) - Z23ASE99F4/S99C4/F4



POS	OEM Part #	Part Name	Qty
1	-----	SHOCK-REAR,2,RESVR,PIGGYBK,LH [INCL. ALL]	1
1	-----	SHOCK-REAR,2,RESVR,PIGGYBK,RH [INCL. ALL]	1
2	1040488	Shaft Loop, .625THD (Anodize Clear)	1
3	1040489	SHAFT-CHROME NEEDLE	1
4	1040490	BODY, MONOTUBE CO, 2.0 X 13.973L HARD CLEAR	1
5	1040491	NEEDLE-1PC PRESS IN 1620008	1
6	1040492	SHAFT SPACER	1
7	1040493	#8-32 X .500 LOW HEAD SCREW	1
8	1040494	O-RING, 2-108 1600026	1
9	1040495	O-RING, 2-226 1600018	2
10	1004065	RETAINING RING WIRE 0.0625 X 1.750ID	1
11	1040496	WIPER, 5/8" D/TYPE- BLK	1
12	1004059	PISTON, 2.0, .47L, NO BLD (W/ VALVING)	1
13	1040497	NUT, CRIMP (CASTLE) 42567	1
14	1040498	RING-RETAINING 1520119	1
15	1004047	O-RING BODY LOOP	2
16	1040499	SNAP RING, 1.75" ID	1
17	1040500	O-RING, 2-324	1
18	1040501	IFP PISTON ASM 1.750, W- BLEED	1
19	1040502	ASM-CLICKER STUD 404613	1
20	1040503	KNOB,CLICKER BLK (1000604)	1
21	1040504	SCREW, 10X5/8 BTN SS (500603)	1
22	1040505	ASM. CLICKER PISTON	1
23	1040506	BALL, DETENT 3/16"	1
24	1040507	SPRING-D-TENT	1
25	1040509	RING, SNAP, END BEARING	4
26	1040510	JAMB NUT, 2.0IN ACME (CLEAR)	1
27	1040511	BRIDGE 2.0 WER ADJUSTER (CLEAR)	1
28	1040512	CAP, WIPER 2.0 PRESS IN (CLEAR ANODIZE)	1
29	1040513	SPRING ADJUSTER 2.0 ACME (CLEAR)	1

SUSPENSION, REAR SHOCK INTERNALS

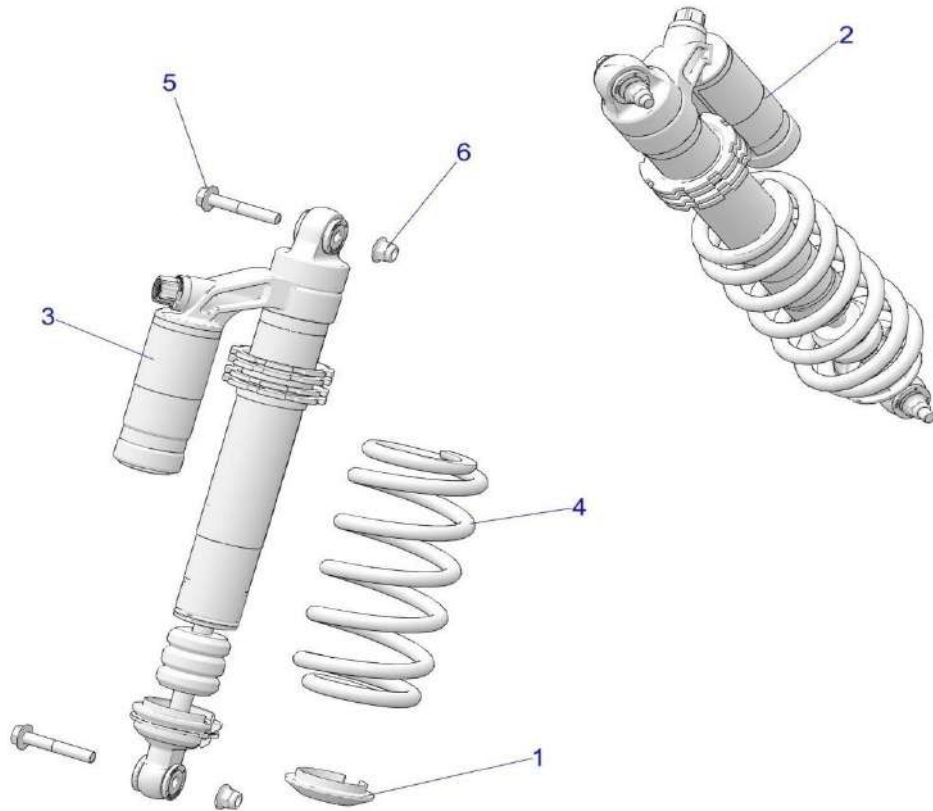
2023 RZR TRAIL S 1000 EPS EU/TRACTOR INTL (R02) - Z23ASE99F4/S99C4/F4



POS	OEM Part #	Part Name	Qty
30	1040524	Retainer, Spring Supplied by Polaris [TO 7/18/2022]	1
30	1045756	RETAINER, SPRING [FROM 7/18/2022]	1
31	1040515	BUMP STP ISC 140168	1
32	1040516	ASM. END CAP 2in (CLEAR)	1
33	1004075	ASM. SEAL HEAD, 2.0, PRESS- IN, STD SEALS	1
34	1040518	SPHERICAL BEARING 1.00D X .50 ID W TEFLON	2
35	1040519	RES BODY, 2.0", 5.0L (ANODIZE HARD CLEAR)	1

SUSPENSION, REAR SHOCK MOUNTING

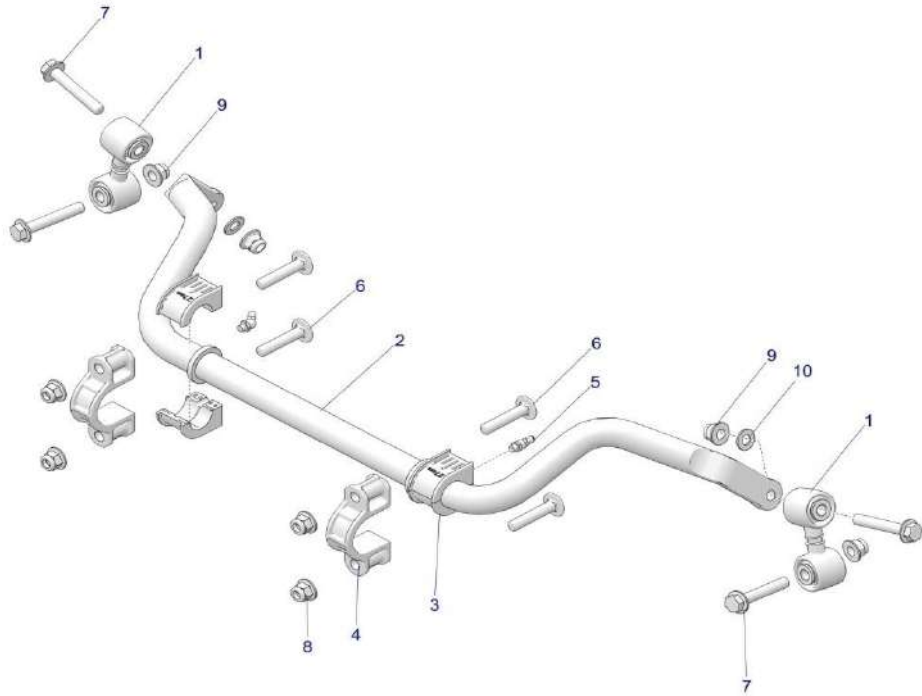
2023 RZR TRAIL S 1000 EPS EU/TRACTOR INTL (R02) - Z23ASE99F4/S99C4/F4



POS	OEM Part #	Part Name	Qty
1	1040524	Retainer, Spring Supplied by Polaris [TO 7/18/2022]	2
1	1045756	RETAINER, SPRING [FROM 7/18/2022]	2
2	-----	SHOCK-REAR,2,RESVR,PIGGYBK,LH	1
3	-----	SHOCK-REAR,2,RESVR,PIGGYBK,RH	1
4	1045759	S-200-250#,14.25FL,2.30ID,IRED [E99F4][C4][S99F4]	2
5	1014454	SCR-HXFL-M10X1.25X60 10.9 ZOD	4
6	1014500	NUT-M10X1.25, FLG, NYLOC-OLIVE D	4

SUSPENSION, REAR, STABILIZER BAR

2023 RZR TRAIL S 1000 EPS EU/TRACTOR INTL (R02) - Z23ASE99F4/S99C4/F4

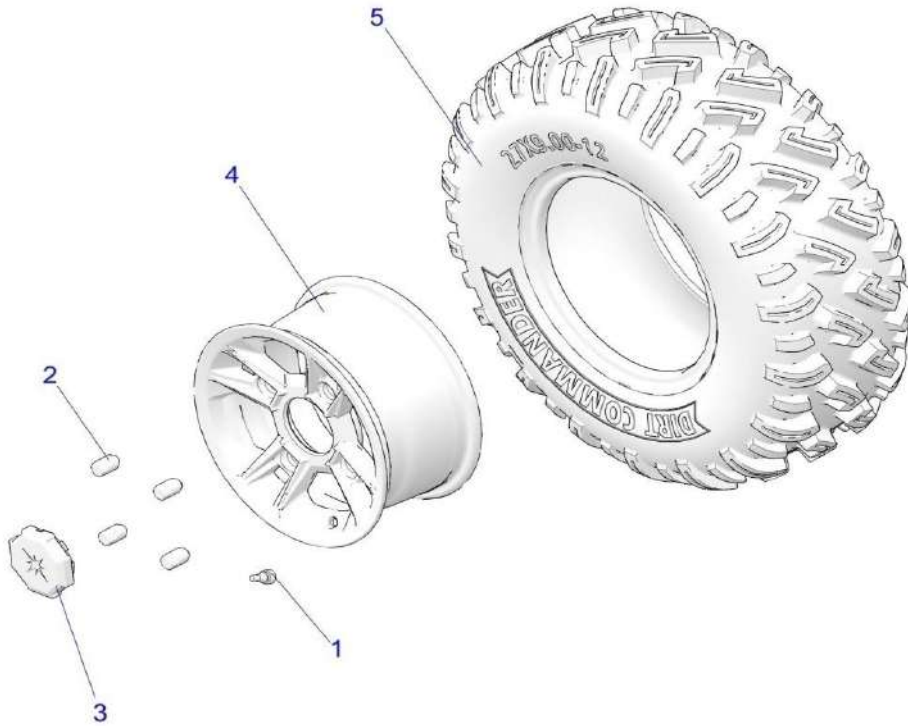


POS	OEM Part #	Part Name	Qty
1	1045760	ASM-LINK STABILIZER BAR,61MM	2
2	1011686	BAR, STABILIZER	1
3	1011919	BUSHING, REAR BAR, 27MM	4
4	1012203	BRKT-CAP,SWAY BAR,1.25"	2
5	1014057	Fitting, Lubricating, 45 Degree	2
6	1014445	SCR-RHCAR-M10X1.25X50 8.8 ZOD	4
7	1014454	SCR-HXFL-M10X1.25X60 10.9 ZOD	4
8	1014504	NUT-M10X1.5 HFN NYLOC ZOD	4
9	1014500	NUT-M10X1.25, FLG, NYLOC-OLIVE D	4
10	1014520	WASHER-3/8 FW SAE STL THRU-HRD	2

WHEELS, FRONT

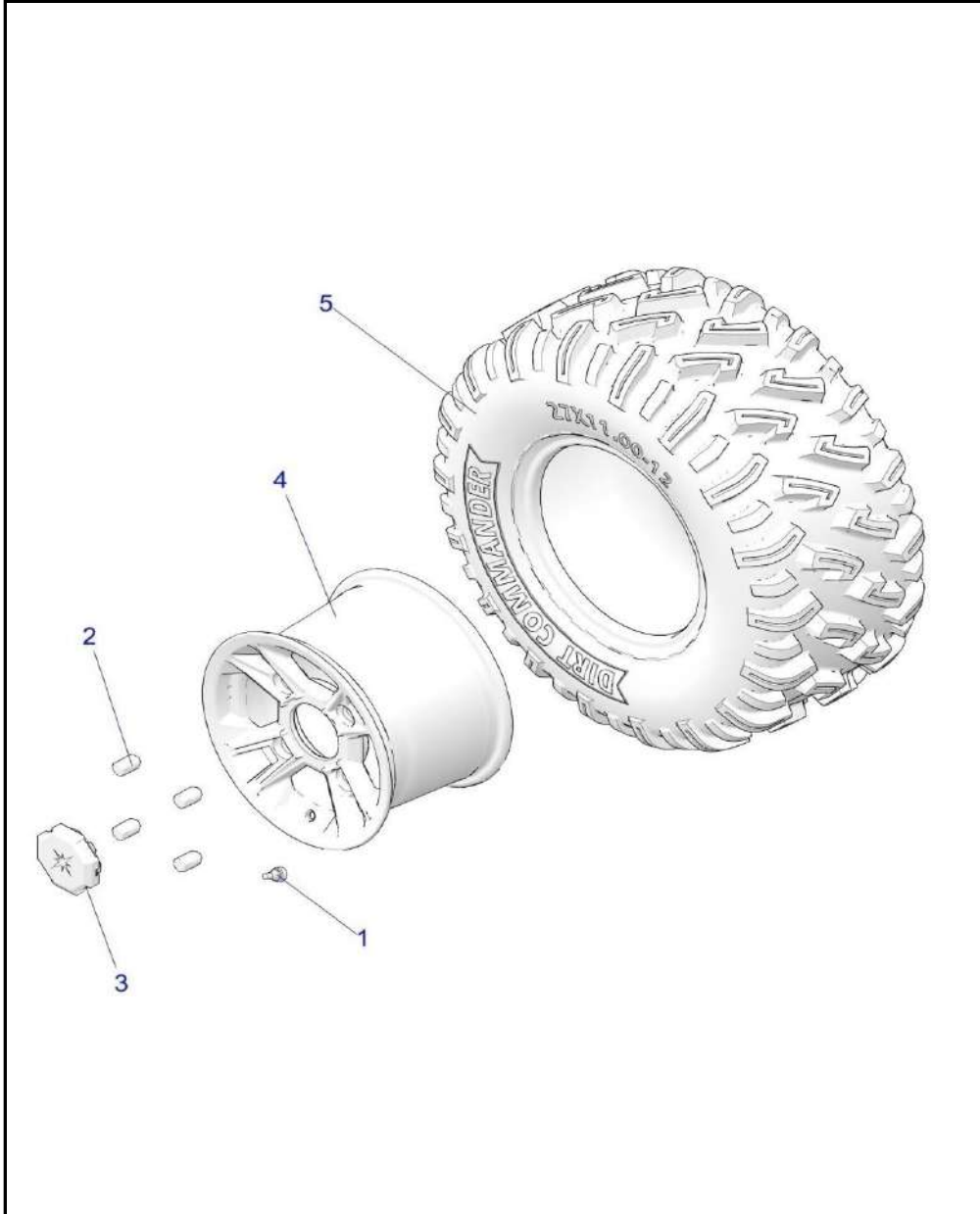
2023 RZR TRAIL S 1000 EPS EU/TRACTOR INTL (R02) - Z23ASE99F4/S99C4/F4

POS	OEM Part #	Part Name	Qty
1	1003489	VALVE, RIM	2
2	1014505	NUT-WHEEL,M12X1.5,TAPERED	4
3	1045763	CAP-RIM,BLK [E99F4][C4][S99F4]	2
4	1045762	RIM-FRT,12X6,CAST,26.2 OFST,FB [E99F4][C4][S99F4]	2
5	1040525	TIRE-FRONT,27X9-12,EMARK	2



WHEELS, REAR

2023 RZR TRAIL S 1000 EPS EU/TRACTOR INTL (R02) - Z23ASE99F4/S99C4/F4



POS	OEM Part #	Part Name	Qty
1	1003489	VALVE, RIM	2
2	1014505	NUT-WHEEL,M12X1.5,TAPERED	8
3	1045763	CAP-RIM,BLK [E99F4][C4][S99F4]	2
4	1045764	RIM-RR,12X8,CAST,50.1OFST,FLBK [E99F4][C4][S99F4]	2
5	1040526	TIRE-REAR,27X11-12,EMARK	2

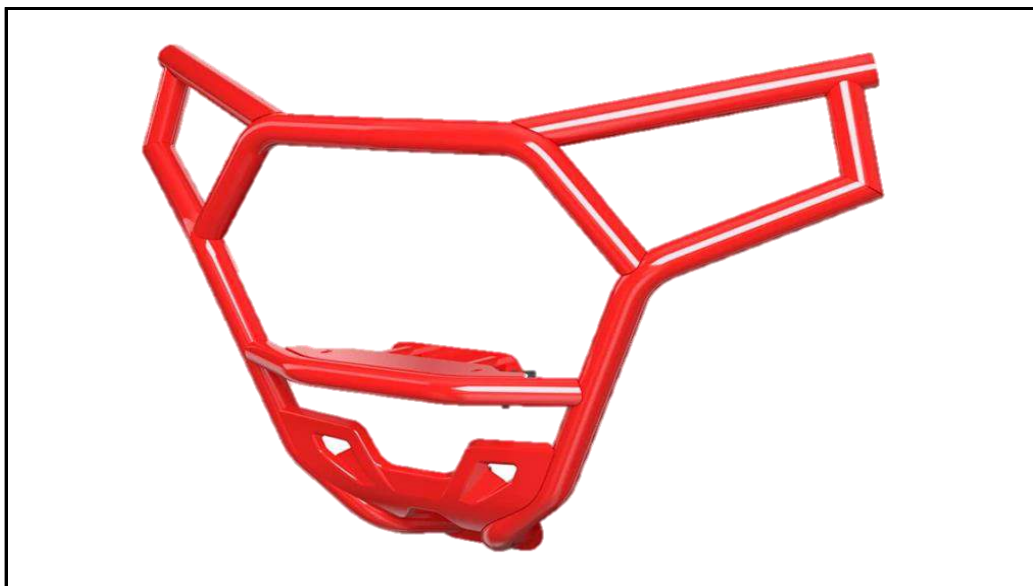
Accessories



Aluminum Roof Indy Red | Part # 2884761-293



Front High Coverage Bumper – Black Mat | Part # 2884732-458



Front High Coverage Bumper - Red | Part # 2884732-293



Rear Deluxe Bumper - Black Mat | Part # 2880164-458

Accessories



65L. Lock & Ride® Cargo Box | Part # 2881193



Premium Convex Rearview Mirror | Part # 2883763



Polycarbonate Sports Roof, Black | Part # 2884729