

**POLARIS**

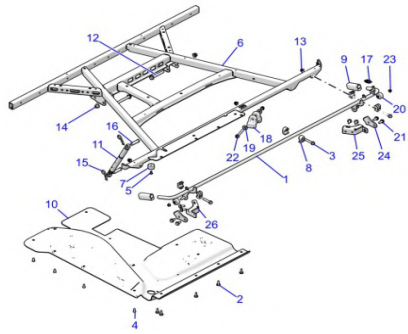
**RZR**

Parts Catalogue

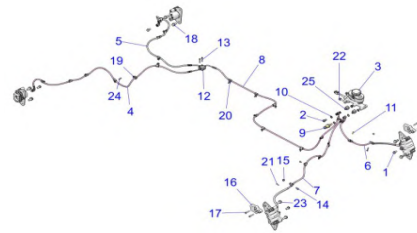


2022 RGR RANGER 1000 FULL SIZE EPS EU TRACTOR ZUG (R03) - R22TAE99FA/SFA/SCA/SCK

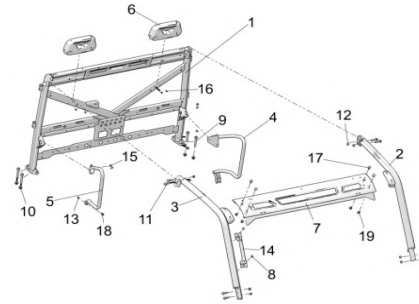
### 1 - BODY



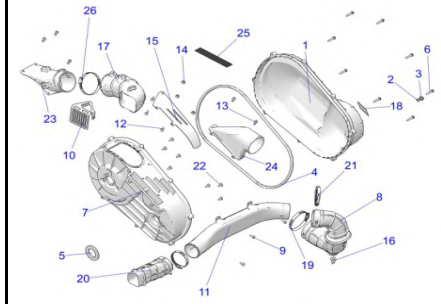
### 2 - BRAKES



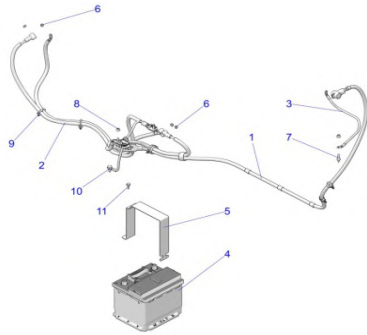
### 3 - CHASSIS



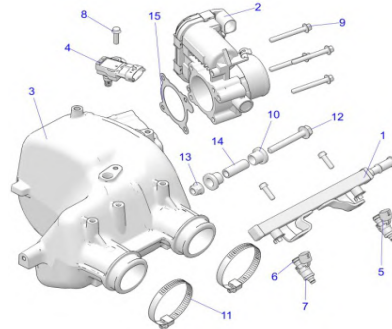
### 4 - DRIVE TRAIN



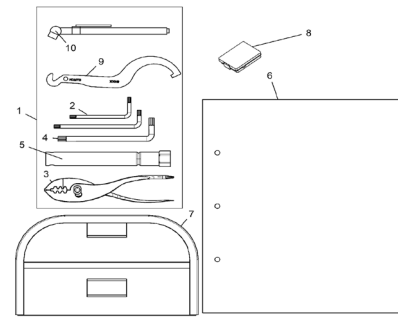
### 5 - ELECTRICAL



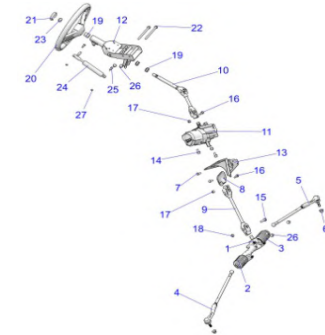
### 6 - ENGINE



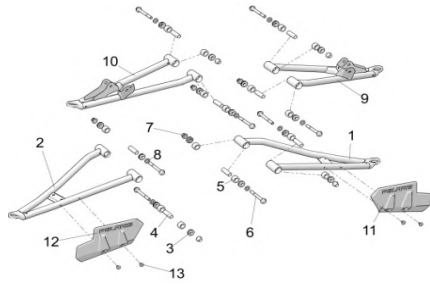
### 7 - OWNERS MANUAL



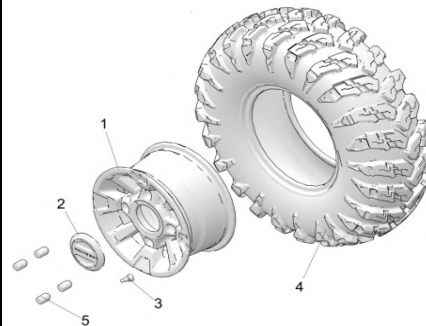
### 8 - STEERING



### 9 - SUSPENSION



### 10 - WHEELS

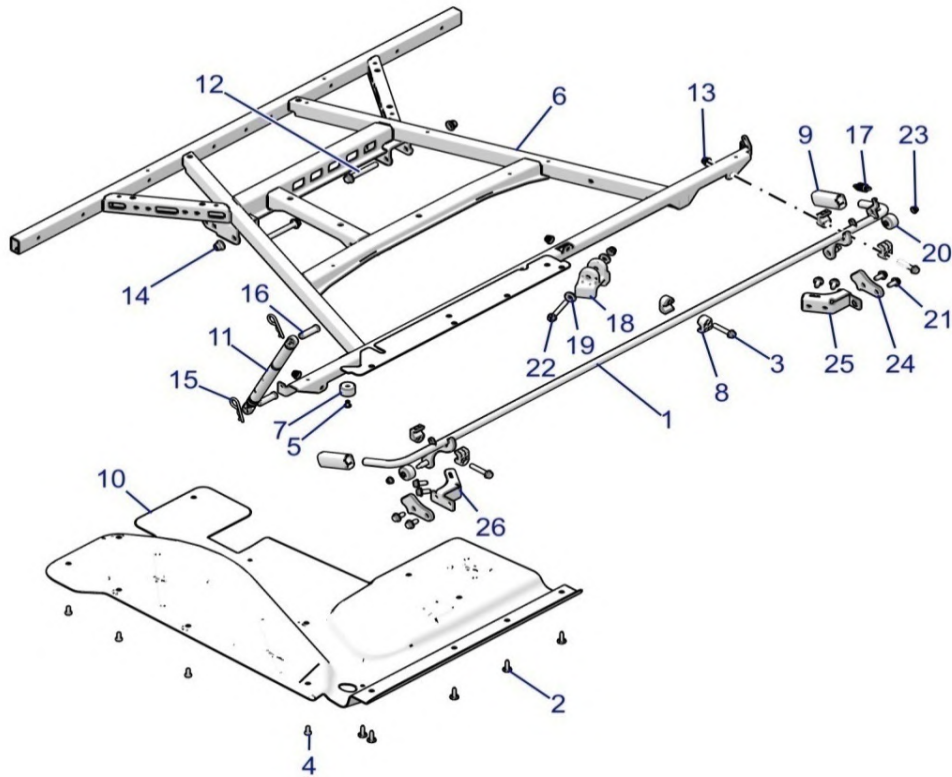


### 11 - ACCESSORIES



# BODY, BOX, MOUNTING

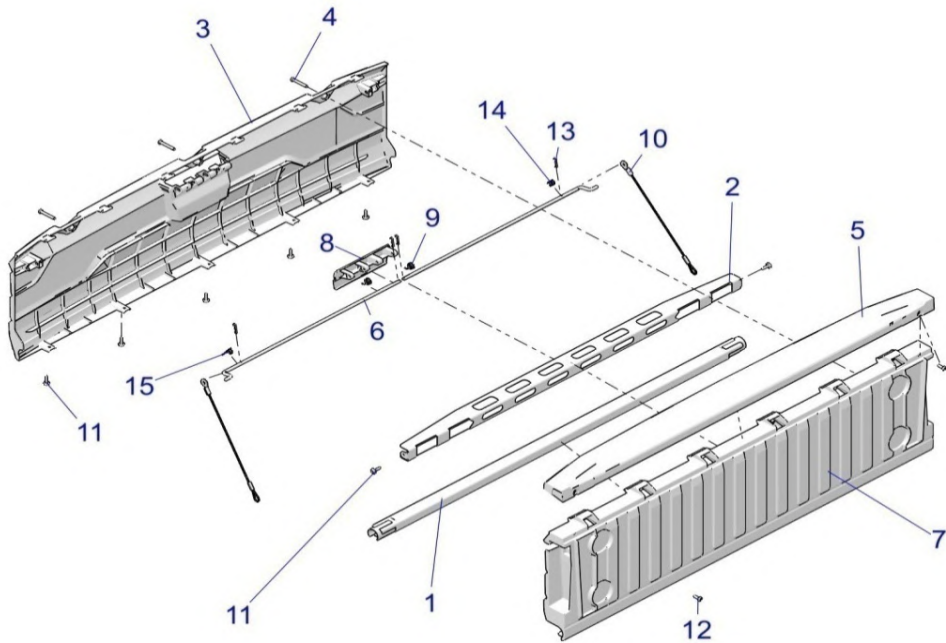
2022 RGR RANGER 1000 FULL SIZE EPS EU TRACTOR ZUG (R03) - R22TAE99FA/SFA/SCA/SCK



POS	SAP	Part Name	Qty
1	1047172	WELD-BOX LATCH,BLK	1
2	1014459	SCR-TXTH-M6X1.0X25 ZFB	4
3	1039664	SCR-M8X1.25X50 HX/FL-Y	3
4	1046536	SCR-TXPH-#14X5/8 HI/LO CLR	7
5	1046746	RIVET-POP 3/16 (.376-.500) AL-LFB	2
6	1047173	WELD-BOX SUPPORT,SHORT,BLK	1
7	1046539	BUMPER, BOX	2
8	1046540	BUSHING, BOX, LATCH	6
9	1046541	HANDLE, BOX, LATCH	2
10	1047174	SHIELD-BOX,CARGO	1
11	1046546	SHOCK-BOX,DUMP,RGR,441MMEXT	1
12	1014457	SCR-HXFL-M10X1.25X80 8.8 ZOD	2
13	1046547	NUT-M8X1.25,HXFLG,NYLON INS	3
14	1014500	NUT-M10X1.25, FLG, NYLOC-OLIVE D	4
15	1040152	CLIP-HITCHPIN .148X3 1/16	2
16	1046548	PIN-CLEVIS,1/2 X 1 3/4	2
17	1047175	Spring, Exhaust	2
18	1047176	BUMPER-LOCATING	1
19	1047268	WASHER-8.4X24.0X2.0 ZPB	1
20	1047177	ROLLER-CAM,LATCH	2
21	1039688	SCR-TFHFL-M8X1.25X20 CHS ZOD	1
22	1047178	SCR-HXFL-M8X1.25X70 10.9 ZFB	2
23	1014499	NUT- M8X1.25, FLG, NYLOC-OLIVE D	2
24	1047179	BRKT-PLATE,CAM,ECOAT	1
25	1047180	BRKT-SPACER,LH,ECOAT	8
26	1047181	BRKT-SPACER,RH,ECOAT	1

# BODY, BOX, TAILGATE

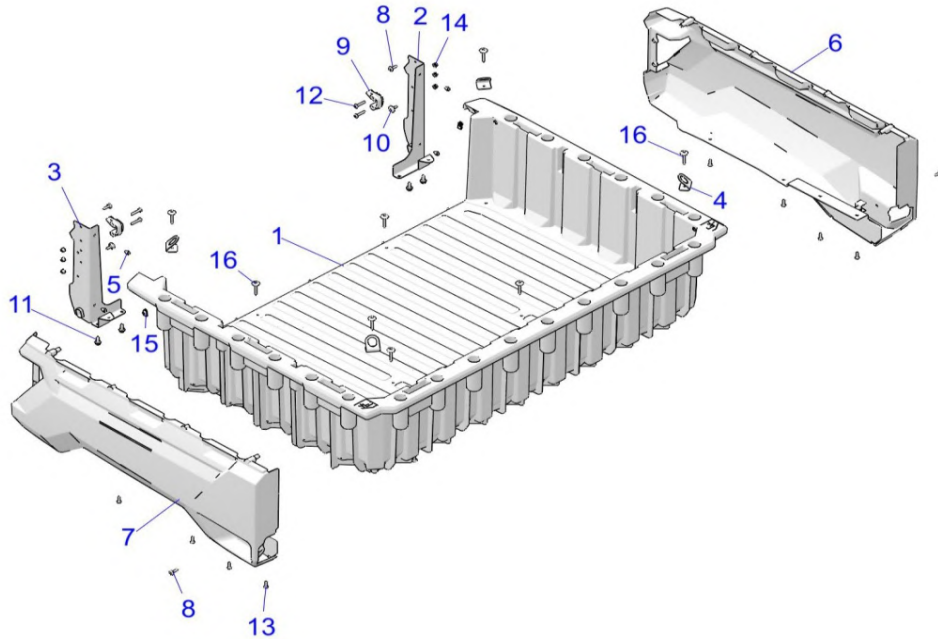
2022 RGR RANGER 1000 FULL SIZE EPS EU TRACTOR ZUG (R03) - R22TAE99FA/SFA/SCA/SCK



POS	SAP	Part Name	Qty
1	1046552	WELD-TAILGATE PIVOT,M.BLK	1
2	1046553	BRKT-TAILGATE SUPPORT,UPR,BLK	1
3	1046554	PANEL-TAILGATE,OUTER,BLK [INCL. QTY 8 OF 4]	1
4	1040444	SCR-1/4X2 HI/LO-PH-PN TRX-M	3
5	1046555	CAP-TAILGATE,BLK	1
6	1047182	ROD-TAILGATE	2
7	1046557	PANEL-TAILGATE,INNER,BLK	1
8	1047183	HANDLE-TAILGATE LATCH,BLK	1
9	1047184	SPRING-LATCH,TAILGATE	2
10	1046560	CABLE-TAILGATE,8MM EYELET	2
11	1014459	SCR-TXTH-M6X1.0X25 ZFB	7
12	1039758	SCR-TXPH-#14 X .75 HI-LO RIE	2
13	1046561	PIN-HITCH, 3/32-Y	2
14	-----	SPRING-TAILGATE ROD,LH	1
15	-----	SPRING-TAILGATE ROD,RH	1

# BODY, CARGO BOX

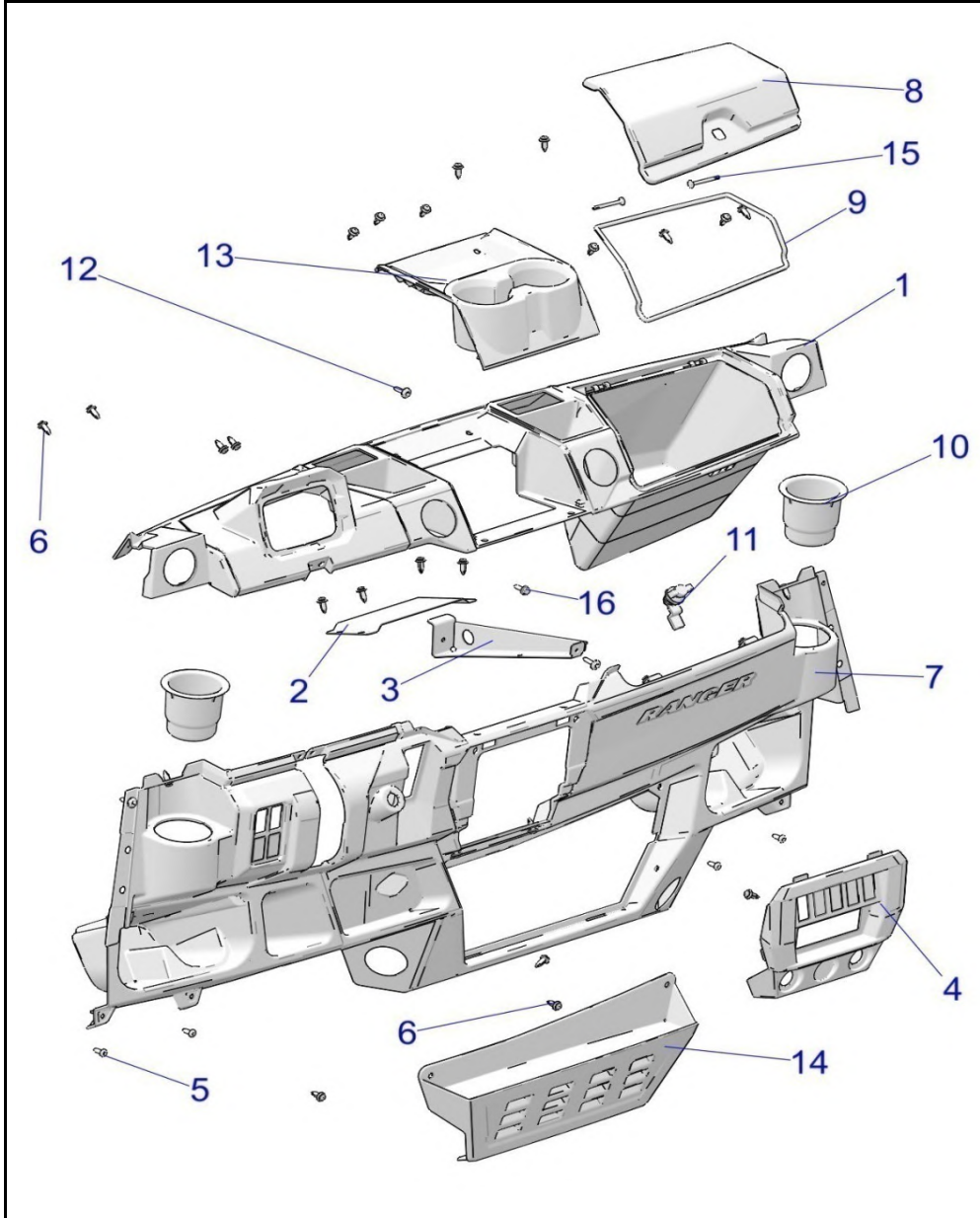
2022 RGR RANGER 1000 FULL SIZE EPS EU TRACTOR ZUG (R03) - R22TAE99FA/SFA/SCA/SCK



POS	SAP	Part Name	Qty
1	1047185	K-BOX,CARGO,RGR XP,EU [INCL. DECAL] [E99FA][S99FA]	1
1	1047186	K-BOX,CARGO,RGR XP,TR [INCL. DECAL] [S99CA][S99CK]	1
2	1047187	WELD-TAILGATE SUPPORT,LH,BLK	1
3	1047188	WELD-TAILGATE SUPPORT,RH,BLK	1
4	1046533	BRKT-TIE DOWN	4
5	1047189	BUMPER-RUBBER,TAILGATE	4
6	1047190	PANEL-BOX,LH,BLK	1
7	1047191	PANEL-BOX,RH,BLK	1
8	1014459	SCR-TXTH-M6X1.0X25 ZFB	AR
9	1046530	LATCH-TAILGATE HOOK	2
10	1046532	SCR-TXTH-M6X1.0X20 ZPB SHDR	2
11	1045689	SCR-HWH-M8X1.25X20 TAP/R ZPB	8
12	1046531	SCR-M6X1X35, TX TR, BLK	4
13	1039758	SCR-TXPH-#14 X .75 HI-LO RIE	AR
14	1014499	NUT- M8X1.25, FLG, NYLOC-OLIVE D	6
15	1045988	CLIP, U SPEED, NUT, M6	2
16	1046534	SCR-TXTH-M6X1.0X45 TAP ZPB	9

# BODY, DASH

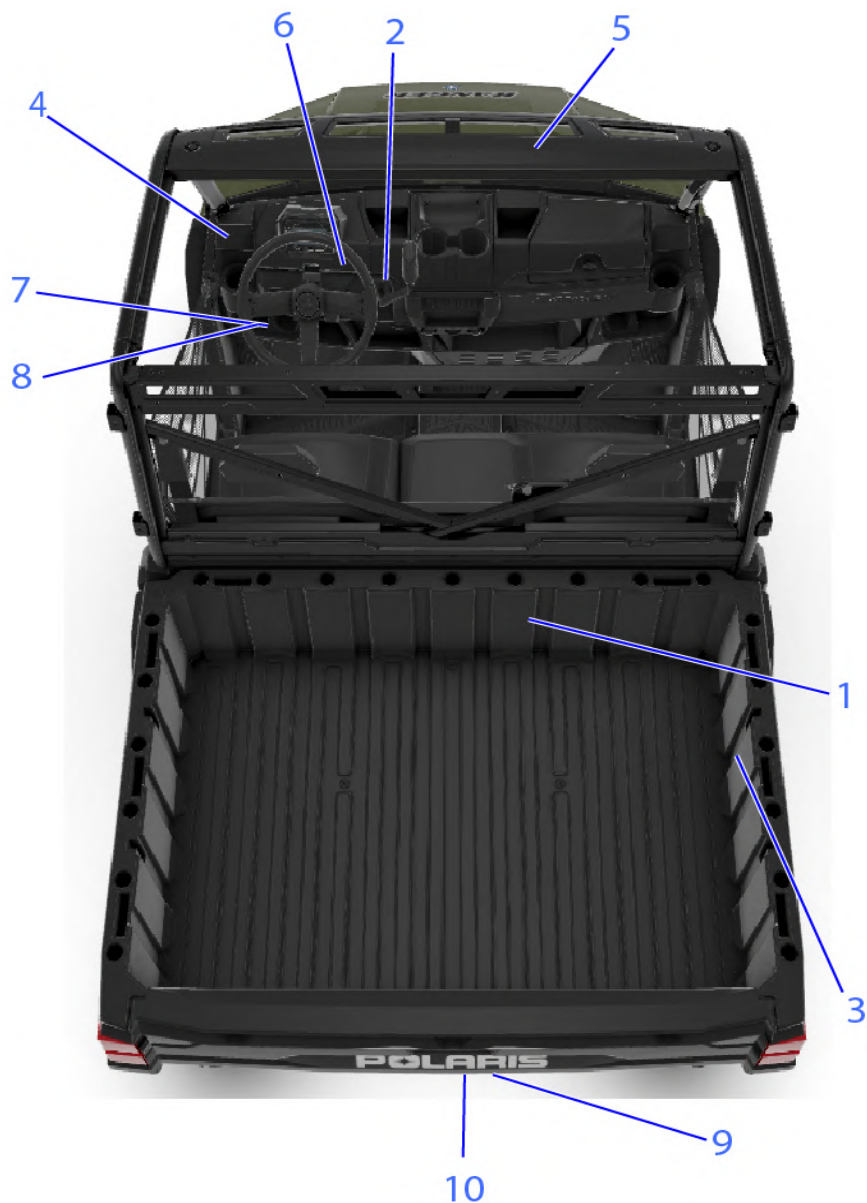
2022 RGR RANGER 1000 FULL SIZE EPS EU TRACTOR ZUG (R03) - R22TAE99FA/SFA/SCA/SCK



POS	SAP	Part Name	Qty
1	1047192	DASH-UPPER,BLK [INCL. QTY 8 OF 2]	1
1	1047193	DASH-UPPER,RTR,HT,BLK [INCL. QTY 8 OF 2] [S99CK]	1
2	1046582	BRKT- DRIP PLATE	1
3	1046565	BRKT-DASH,RH	1
4	1047194	DASH-CONTR,ROUT,TR N PRO, BLK [S99CK][TO 9/1/2022]	1
4	1047195	DASH-CONTROLS,BLK [S99CK][FRM 9/1/2022]	1
4	1047196	DASH-CONTROLS,EU,BLK [E99FA][S99FA][S99CA][TO 9/1/2022]	1
4	1047197	DASH-CONTROLS,BLK [E99FA][S99FA][S99CA][FRM 9/1/2022]	1
5	1045772	SCR-TX TRUSS-#14X3/4, HI/LO ZBK	4
6	1014589	RIVET-TUFLOK,.315-.325X.787	AR
7	1047198	DASH-MAIN,BLK [E99FA][S99FA][S99CA]	1
7	1047199	DASH-MAIN,RTR,HT,BLK [S99CK]	1
8	1047200	COVER-GLOVEBOX,BLK	1
9	1047201	SEAL-GLOVEBOX	1
10	1046581	HOLDER-CUP	2
11	1014063	LATCH, 1/4 TURN, CAM	1
12	1014459	SCR-TXTH-M6X1.0X25 ZFB	AR
13	1046575	DASH-CENTER TRAY, BLK	1
14	1047202	BIN-LOWER,STORAGE,BLK [E99FA][S99FA][S99CA]	1
14	1047203	COVER-BIN,HVAC,BLK [S99CK]	1
15	1039564	PIN-HINGE,GLOVEBOX	2
16	1039683	SCR-M6X1.0X20, HXHD, FLG, TDFM, BK	2

## BODY, DECALS, GENERAL

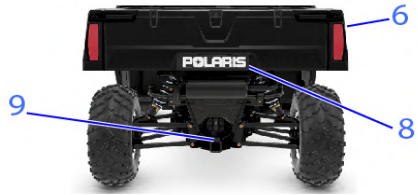
2022 RGR RANGER 1000 FULL SIZE EPS EU TRACTOR ZUG (R03) - R22TAE99FA/SFA/SCA/SCK



POS	SAP	Part Name	Qty
1	1047204	DECAL-WARN,PASS/TIREPR,MD	1
2	1047205	DECAL-IGN.LIGHTING,TRC/ZUG UV	1
3	1045543	DECAL-WARN,FUEL DYR2014/94/EU	1
4	1046585	DECAL-WARN,GEN,RGR 1000,HD [E99FA]	1
4	1046584	DECAL-WARN,GENERAL,TR/ZUG RGR [S99FA][S99CA][S99CK][TO 11/20/2021]	1
4	1047206	DECAL-WARN,GENERAL,TR/ZUG RGR [S99FA][S99CA][S99CK][FRM 11/20/2021]	1
5	1039652	DECAL-WARN,INTAKE [ON VISOR]	1
6	1046587	DECAL-CAUT,SHIFT/APPLYBRAKE,EU [TO 20/6/2021]	1
6	1047207	DECAL-CAUT,SHIFT/APPLYBRAKE,EU [FRM 12/6/2021]	1
7	1040121	DECAL-WARN,JACKING POINT [S99CA/CK]	1
8	1040123	DECAL-WARN,GREASING POINT [S99CA/CK]	1
9	1045541	DECAL-WARN,OWNER MANUAL INFO [S99CA/CK]	1
10	1046583	DECAL, HITCH, EU,RANGER [E99FA]	1

## BODY, DECALS, GRAPHIC

2022 RGR RANGER 1000 FULL SIZE EPS EU TRACTOR ZUG (R03) - R22TAE99FA/SFA/SCA/SCK

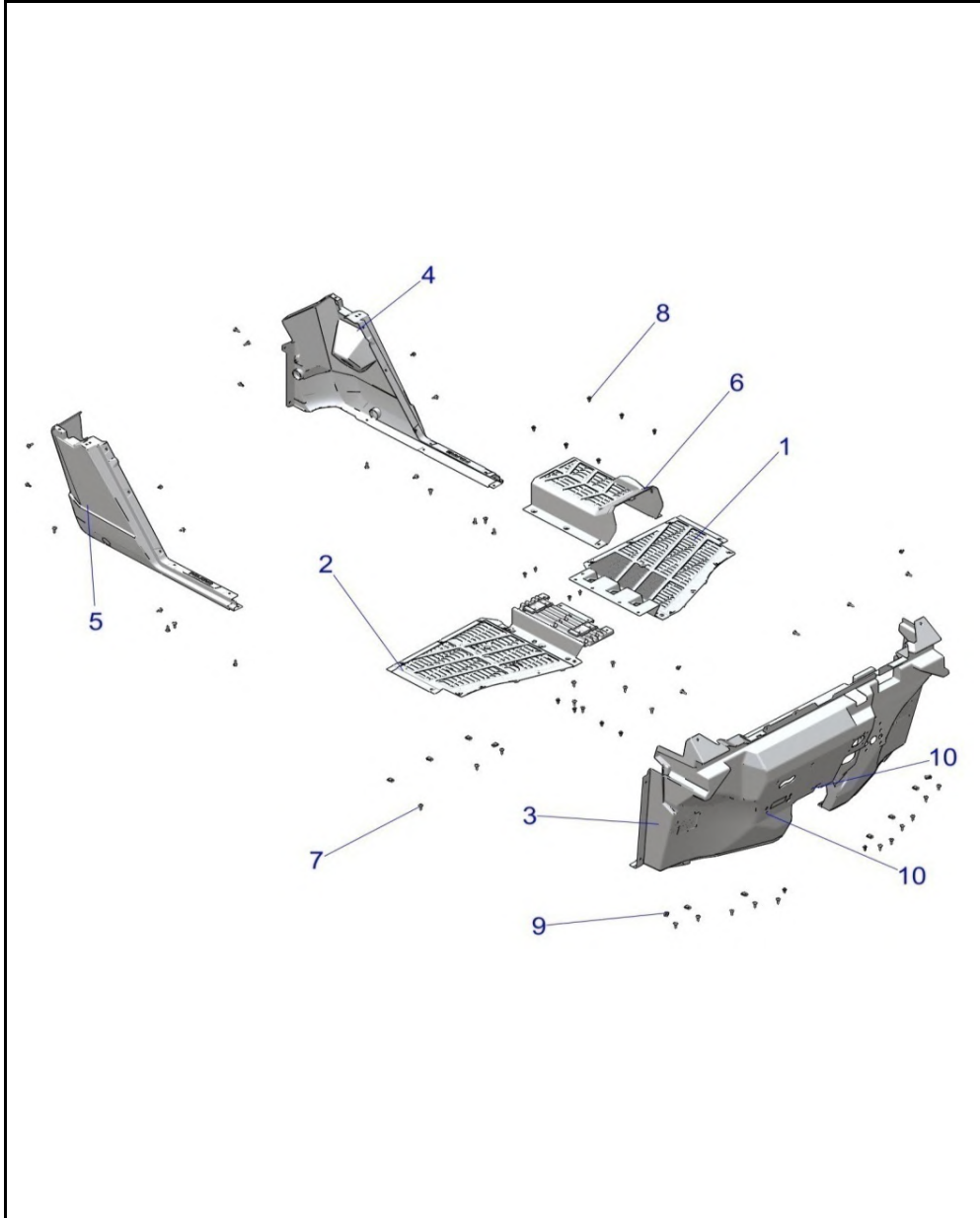


POS	SAP	Part Name	Qty
1	1014053	LOGO-POLARIS STAR	1
2	1047208	DECAL-HOOD CNTR	1
3	1047209	DECAL-FR.FNDR,SIDE,1000,LH [E99FA][S99FA][S99CA]	1
3	1047210	DECAL-FR.FNDR,SIDE,1000,LH [S99CK]	1
4	1047211	DECAL-FR.FNDR,SIDE,1000,RH [E99FA][S99FA][S99CA]	1
4	1047212	DECAL-FR.FNDR,SIDE,1000,RH [S99CK]	1
5	1047213	DECAL-BOX,SIDE,RGR,LH [E99FA][S99FA][S99CA]	1
5	1047214	DECAL-BOX,SIDE,RGR,LH [S99CK]	1
6	1047215	DECAL-BOX,SIDE,RGR,RH [E99FA][S99FA][S99CA]	1
6	1047216	DECAL-BOX,SIDE,RGR,RH [S99CK]	1
7	1047217	DECAL-EPS,ORV	1
8	1014231	DECAL, "POLARIS", TAILGATE, WHITE	1
9	-----	DECAL-HITCH,EU,RANGER [E99FA]	1



# BODY, FLOOR AND ROCKER

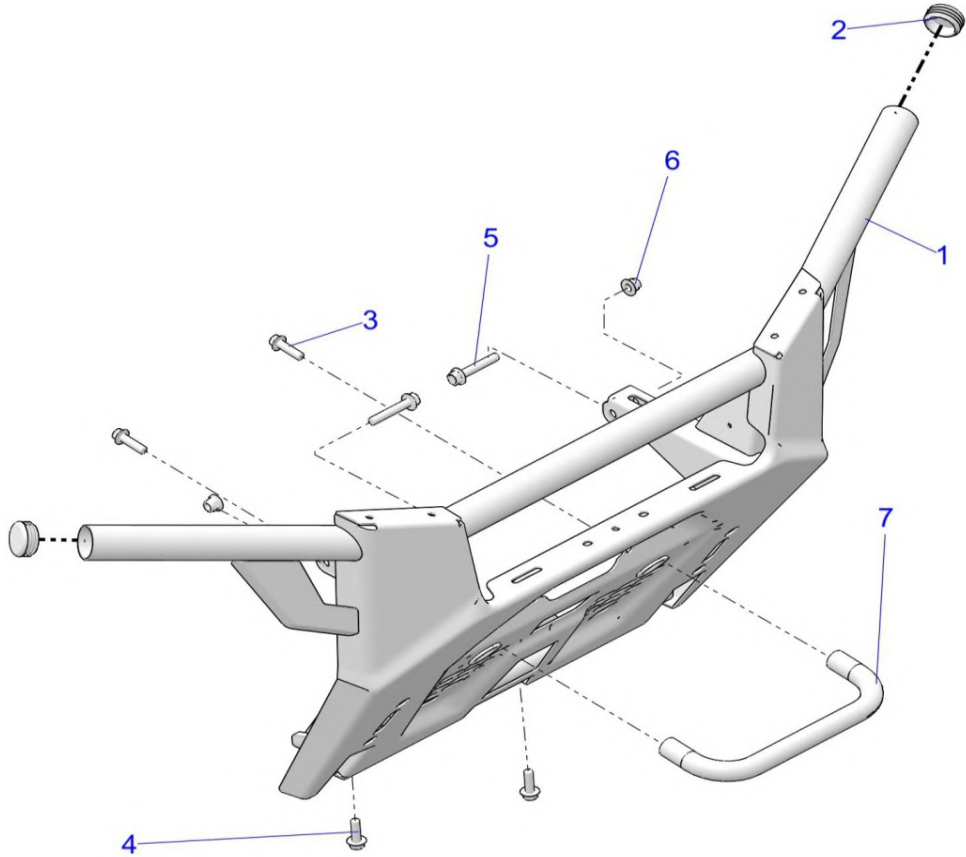
2022 RGR RANGER 1000 FULL SIZE EPS EU TRACTOR ZUG (R03) - R22TAE99FA/SFA/SCA/SCK



POS	SAP	Part Name	Qty
1	<a href="#">1047218</a>	FLOOR,LH,BLK	1
2	<a href="#">1047219</a>	FLOOR,RH,BLK	1
3	<a href="#">1047220</a>	FLOOR-UPPER CLOSEOFF,TR,BLK [E99FA][S99FA][S99CA]	1
3	<a href="#">1047221</a>	FLOOR-FRNT,HEAT,PBRK,RTR,BLK [S99CK]	1
4	<a href="#">1047222</a>	FENDER-LOWER,ROCKER,LH,BLK	1
5	<a href="#">1047223</a>	FENDER-LOWER,ROCKER,RH,BLK	1
6	<a href="#">1047224</a>	COVER-TUNNEL FLOOR,BLK	1
7	<a href="#">1014459</a>	SCR-TXTH-M6X1.0X25 ZFB	AR
8	<a href="#">1014589</a>	RIVET-TUFLOK,.315-.325X.787	AR
9	<a href="#">1014509</a>	NUT-M6-1.0, U-TYPE (2.5-3.8)	AR
10	<a href="#">1047225</a>	PLUG-NYLON,.322X.480	2

# BODY, FRONT BUMPER

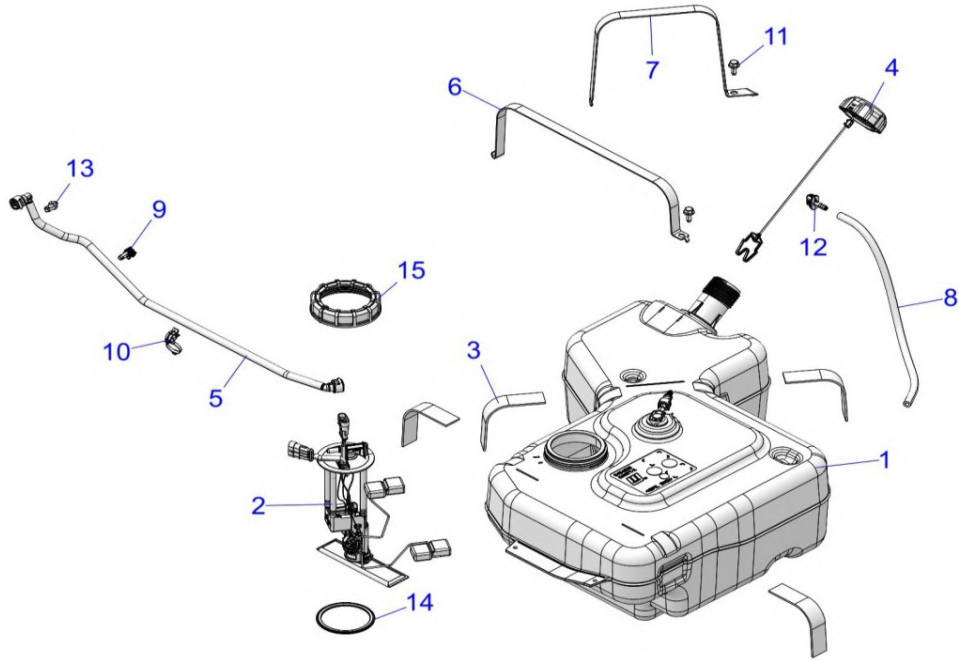
2022 RGR RANGER 1000 FULL SIZE EPS EU TRACTOR ZUG (R03) - R22TAE99FA/SFA/SCA/SCK



POS	SAP	Part Name	Qty
1	1047226	WELD-BUMPER,FRONT,M.BLK	1
2	-----	CAP-BUMPER	2
3	1039702	SCR-HXFL-M10X1.5X35 8.8 ZPC	2
4	1046519	SCR-HXFL-M10X1.25X30 8.8 ZOD	2
5	1030519	SCR-HXFL-M10X1.25X60,ZOD	2
6	1014500	NUT-M10X1.25, FLG, NYLOC-OLIVE D	4
7	1041411	WELD-CATCH,PLOW,M.BLK	1

# BODY, FUEL TANK

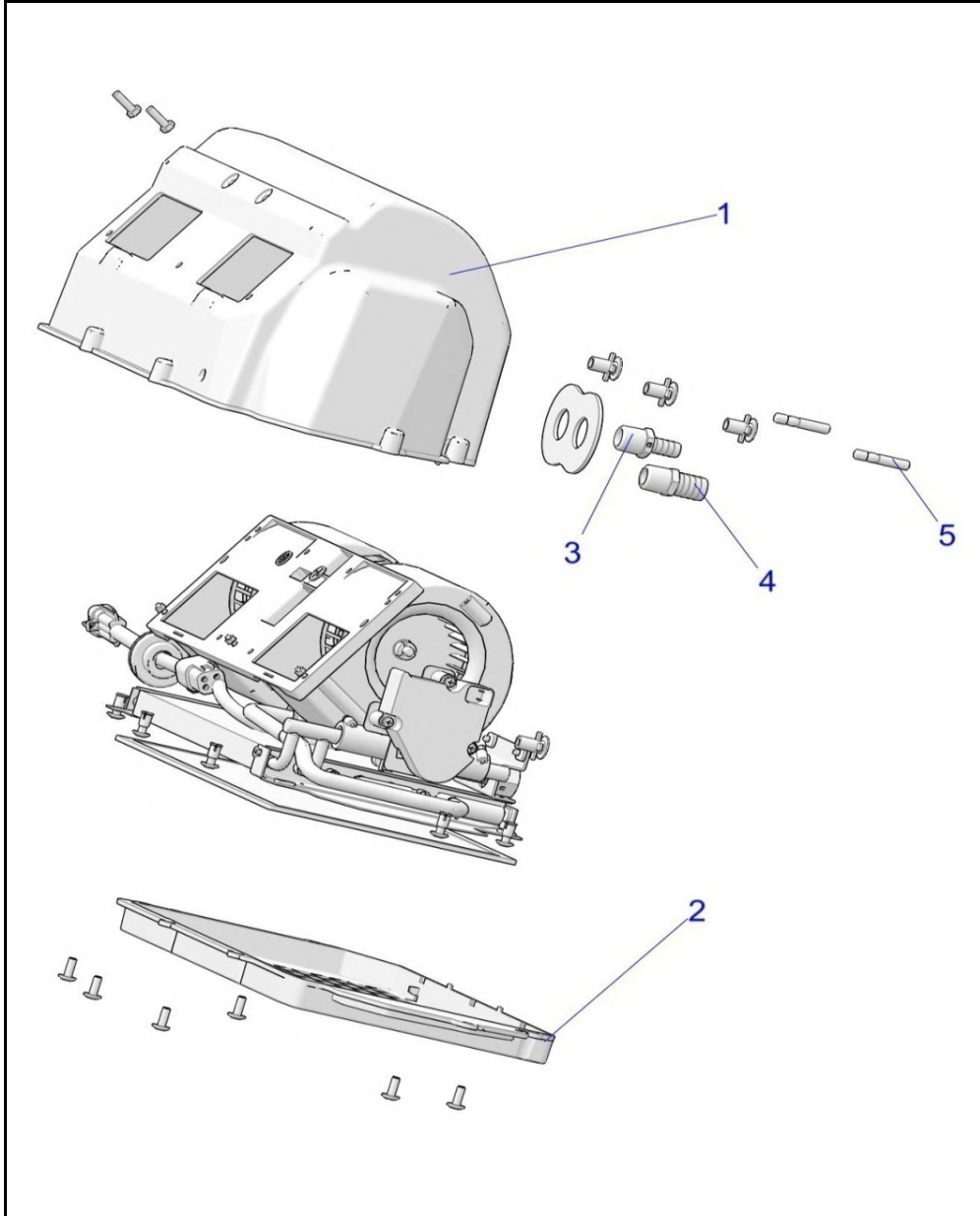
2022 RGR RANGER 1000 FULL SIZE EPS EU TRACTOR ZUG (R03) - R22TAE99FA/SFA/SCA/SCK



POS	SAP	Part Name	Qty
1	<a href="#">1047227</a>	ASM-FUEL TANK [INCL. 2,3]	1
2	<a href="#">1005194</a>	K-FUEL PUMP,RANGER [INCL. 14,15]	1
3	<a href="#">1039594</a>	PAD-BATTERY	4
4	<a href="#">1046595</a>	CAP-GAS TANK,TETHER	1
5	<a href="#">1047228</a>	ASM-FUEL LINE [INCL. 9]	1
6	<a href="#">1047229</a>	BRKT-TANK,STRAP,INSIDE,GALV	1
7	<a href="#">1047230</a>	BRKT-TANK,STRAP,OUTSIDE,GALV	1
8	<a href="#">1047231</a>	ASM-LINE,TANK TO VENT	1
9	<a href="#">1046600</a>	CLIP, EDGE, SIDE, W/STRAP	1
10	<a href="#">1047232</a>	CLIP-OMEGA,CABLE/10-14MM DIA	1
11	<a href="#">1039688</a>	SCR-TFHFL-M8X1.25X20 CHS ZOD	2
12	<a href="#">1045673</a>	FITTING-VENT LINE	1
13	<a href="#">1014065</a>	CLIP-ROUTING	1
14	<a href="#">1045311</a>	GASKET, PFA, RIBBED	1
15	<a href="#">1045312</a>	NUT, MASON JAR	1

# BODY, HEATER ASSEMBLY

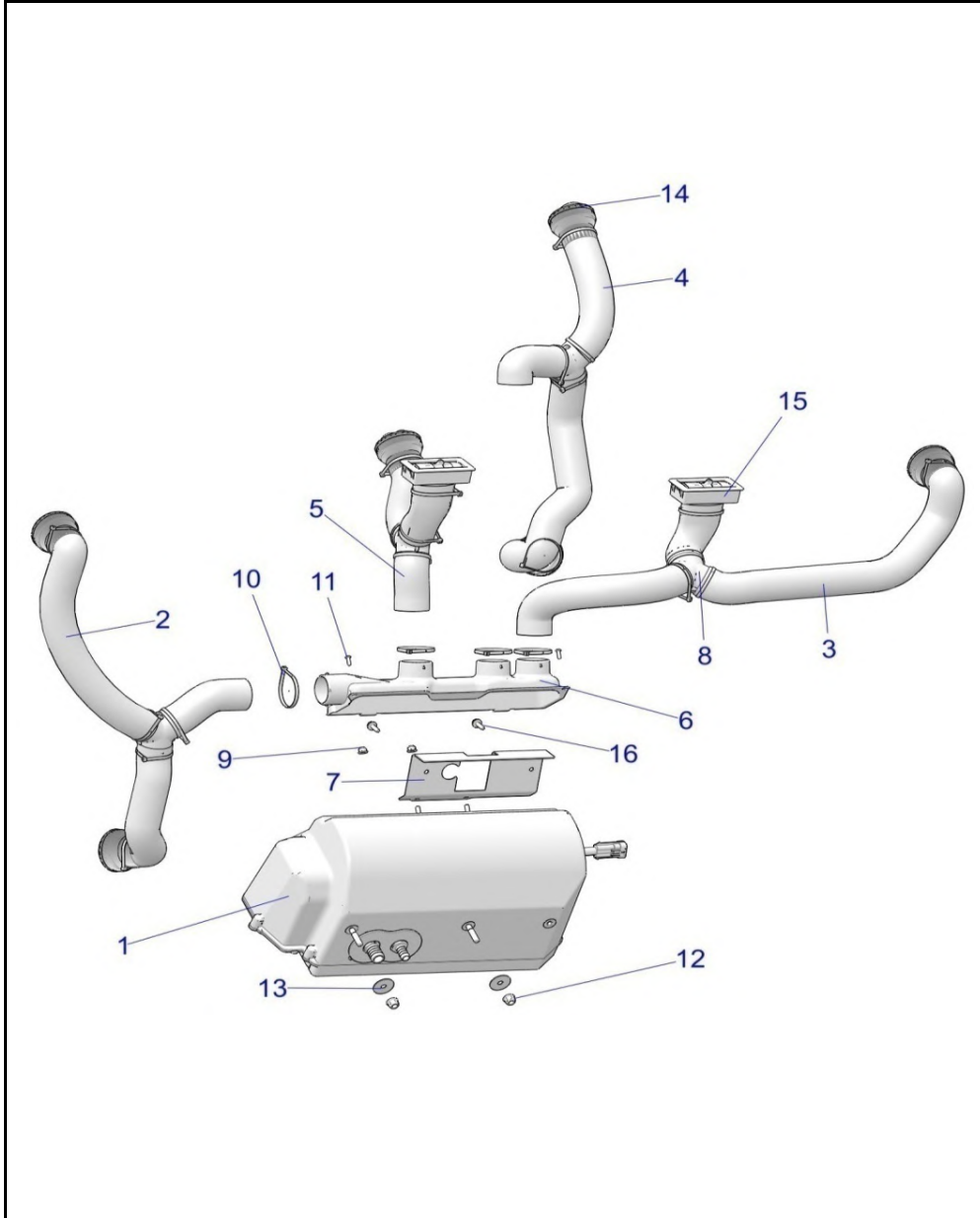
2022 RGR RANGER 1000 FULL SIZE EPS EU TRACTOR ZUG (R03) - R22TAE99FA/SFA/SCA/SCK



POS	SAP	Part Name	Qty
1	1047233	HOUSING-MAIN, ACCY, HEATER, XOVR	1
2	1047234	COVER-LOWER, GRILLE, HEATER, XOVR	1
3	1047235	FITTING-MALE, HTR, XOVR	1
4	1047236	FITTING-MALE,1/2NPT-3/4HB	1
5	1047237	M8X1.25X45/55MM CL8.8 STUD	2

# BODY, HEATER DUCTING

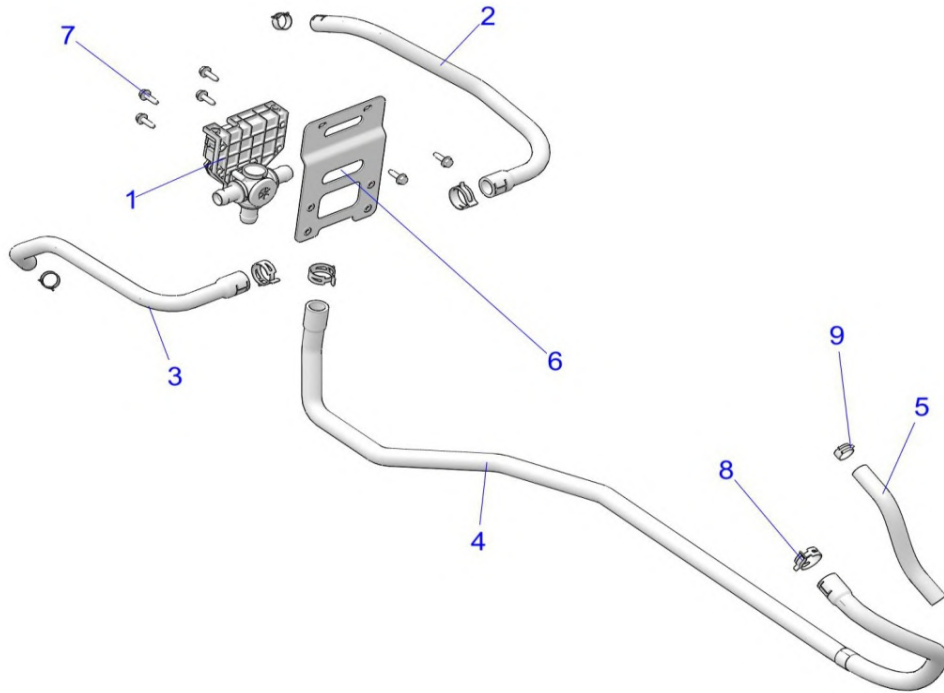
2022 RGR RANGER 1000 FULL SIZE EPS EU TRACTOR ZUG (R03) - R22TAE99FA/SFA/SCA/SCK



POS	SAP	Part Name	Qty
1	-----	ASM-MAIN,HEATER, ZS	1
2	1047238	ASM-DUCTING, DASH, RH	1
3	1047239	ASM-DUCTING, DASH, CENTER, LH	1
4	1047240	ASM-DUCTING, DASH, LH	1
5	1047241	ASM-DUCTING, DASH, CENTER, RH	1
6	1047242	MANIFOLD-AIR DISTRIBUTOR, HVAC	1
7	1047243	BRKT-MOUNT, HVAC UNIT, BLK	1
8	1047244	DUCT-Y, HOSE, HTR, XORV	4
9	1014499	NUT- M8X1.25, FLG, NYLOC-OLIVE D	2
10	1014060	CABLE-TIE,10-102MM,WEATH.-RES.	AR
11	1039719	SCR-#10X1/2-HI/LO-PN-T25, TRX-M	2
12	1014499	NUT- M8X1.25, FLG, NYLOC-OLIVE D	4
13	1047245	WASHER-.328X1.25X16GA, FL-Y	4
14	1047246	VENT-ROUND	6
15	1047247	VENT-DEFROST	2
16	1039683	SCR-M6X1.0X20, HXHD, FLG, TDFM, BK	2

## BODY, HEATER ROUTINGS

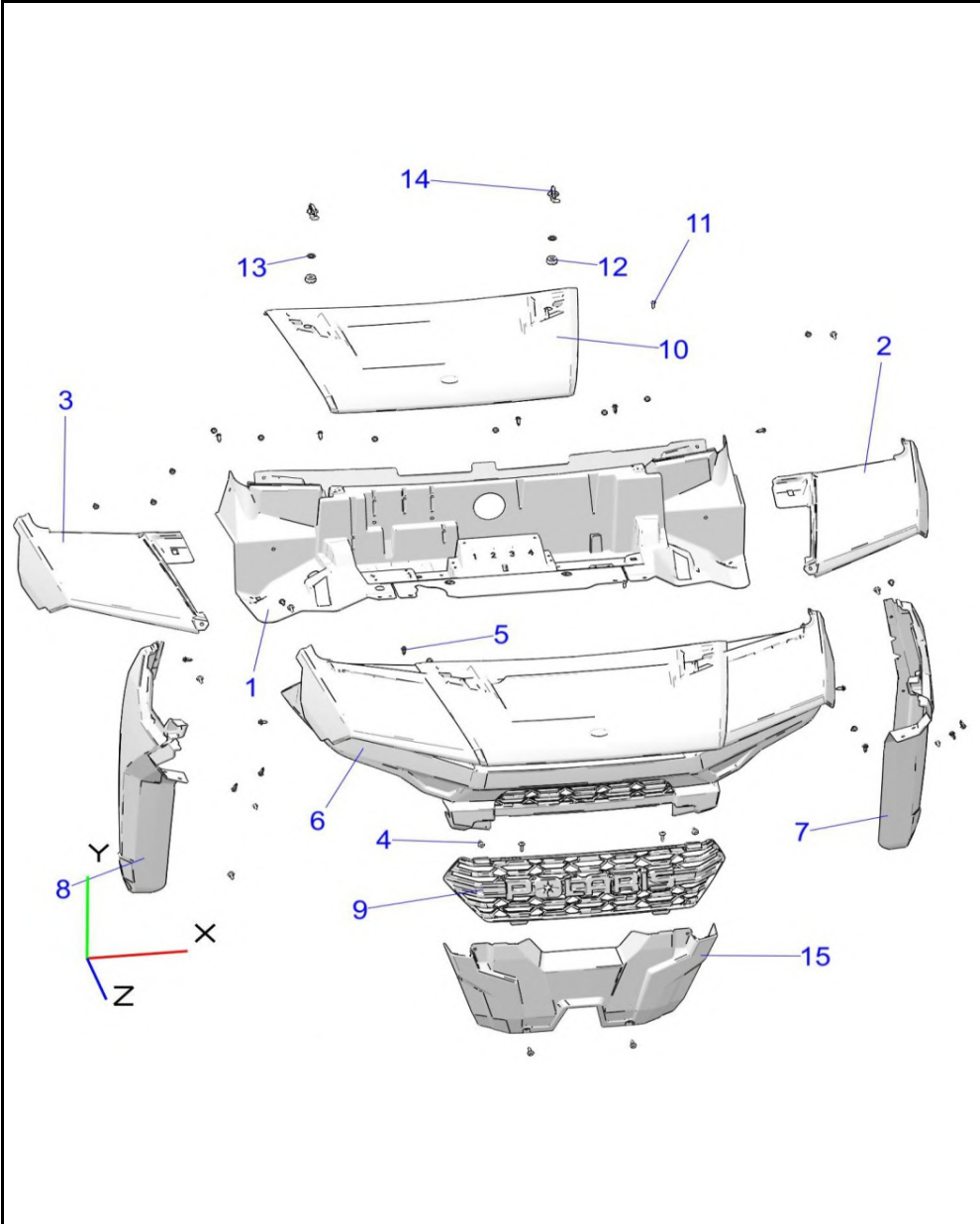
2022 RGR RANGER 1000 FULL SIZE EPS EU TRACTOR ZUG (R03) - R22TAE99FA/SFA/SCA/SCK



POS	SAP	Part Name	Qty
1	<a href="#">1047248</a>	ASM-VALVE,3-WAY	1
2	<a href="#">1047249</a>	HOSE-ACCY HEATER,ENG-3WAY,HERC	1
3	<a href="#">1047250</a>	HOSE-ACCY COOLER 3WAY-ENG,HERC	1
4	<a href="#">1047251</a>	HOSE-HEATER RETURN,HRC	1
5	<a href="#">1047252</a>	HOSE-HEATER RETURN	1
6	<a href="#">1047253</a>	BRKT-ACCY,HEATER,MNT,HRC,BLK	1
7	<a href="#">1039683</a>	SCR-M6X1.0X20, HXHD, FLG, TDFM, BK	6
8	<a href="#">1039620</a>	SPRINGBAND-CLAMP 27/12,GREEN	4
9	<a href="#">1039625</a>	CLAMP-HOSE,SPRING .81	3

# BODY, HOOD AND FRONT FACIA

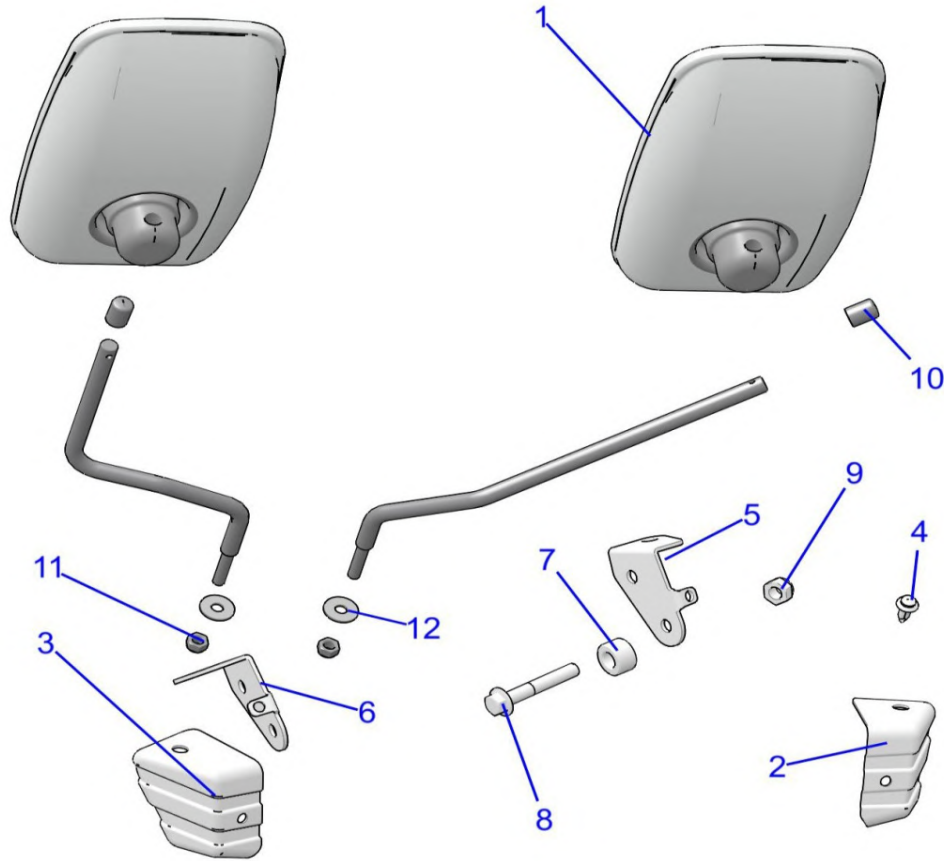
2022 RGR RANGER 1000 FULL SIZE EPS EU TRACTOR ZUG (R03) - R22TAE99FA/SFA/SCA/SCK



POS	SAP	Part Name	Qty
1	1047254	LINER-UNDER HOOD,BLK	1
2	1047255	FENDER-FRONT,LH,SB.GRN [E99FA][S99FA][S99CA]	1
2	1047256	FENDER-FRONT,LH,B.PEARL [S99CK]	1
3	1047257	FENDER-FRONT,RH,SB.GRN [E99FA][S99FA][S99CA]	1
3	1047258	FENDER-FRONT,RH,B.PEARL [S99CK]	1
4	1014459	SCR-TXTH-M6X1.0X25 ZFB	AR
5	1014589	RIVET-TUFLOK,.315-.325X.787	AR
6	1047259	FASCIA-FRONT,BLK	1
7	1047260	FENDER-FLARE,LH,BLK	1
8	1047261	FENDER-FLARE,RH,BLK	1
9	1047262	GRILL-FRONT,BLK	1
10	1047263	HOOD-BASIC,SB.GRN [E99FA][S99FA][S99CA]	1
10	1047264	HOOD-BASIC,B.PEARL [S99CK]	1
11	1045772	SCR-TX TRUSS-#14X3/4, HI/LO ZBK	8
12	1011795	GROMMET, LATCH	2
13	1014517	WASHER-.510X.840X.031 Y	2
14	1045094	LATCH, 1/4 TURN	2
15	-----	FASCIA-FRONT,LOWER,BLK	1

# BODY, MIRRORS

2022 RGR RANGER 1000 FULL SIZE EPS EU TRACTOR ZUG (R03) - R22TAE99FA/SFA/SCA/SCK

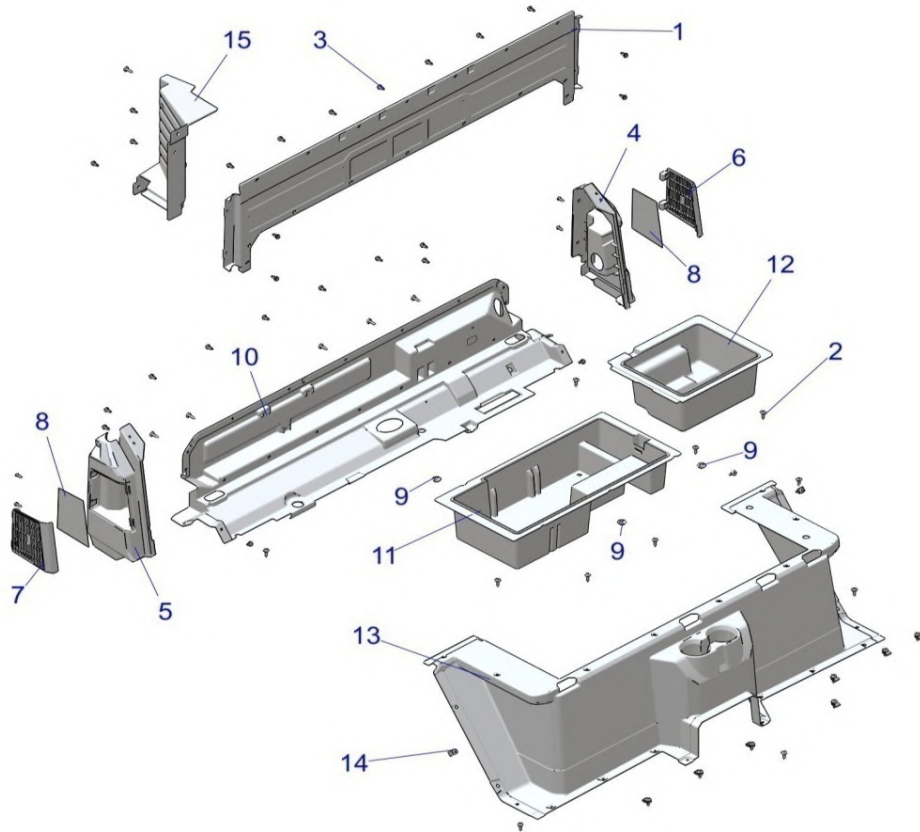


POS	SAP	Part Name	Qty
	1047265	ASM-MIRROR,SET,TRACTOR	1
1	1011968	MIRROR CERT R46,TR	2
2	1040566	COVER MIRROR BRACKET LH,BLK	1
3	1046521	COVER MIRROR BRACKET RH,BLK	1
4	1014589	RIVET-TUFLOK,.315-.325X.787	2
5	1047266	BRKT-MIRROR,LH,BLK	1
6	1047267	BRKT-MIRROR,RH,BLK	1
7	1046524	SPACER,BLK	4
8	1014469	SCR-HXFL-M10X1.5X65 10.9 RIE	4
9	1039793	NUT-HEX-M10X1.5 10 ZB3 NYL	4
10	1011972	PLUG-MIRROR ARM	2
11	1039790	NUT-M8X1.25,FLG,NYLOC-OLIVE D	2
12	1047268	WASHER-8.4X24.0X2.0 ZPB	2



## BODY, REAR CLOSEOFF, AND FENDERS

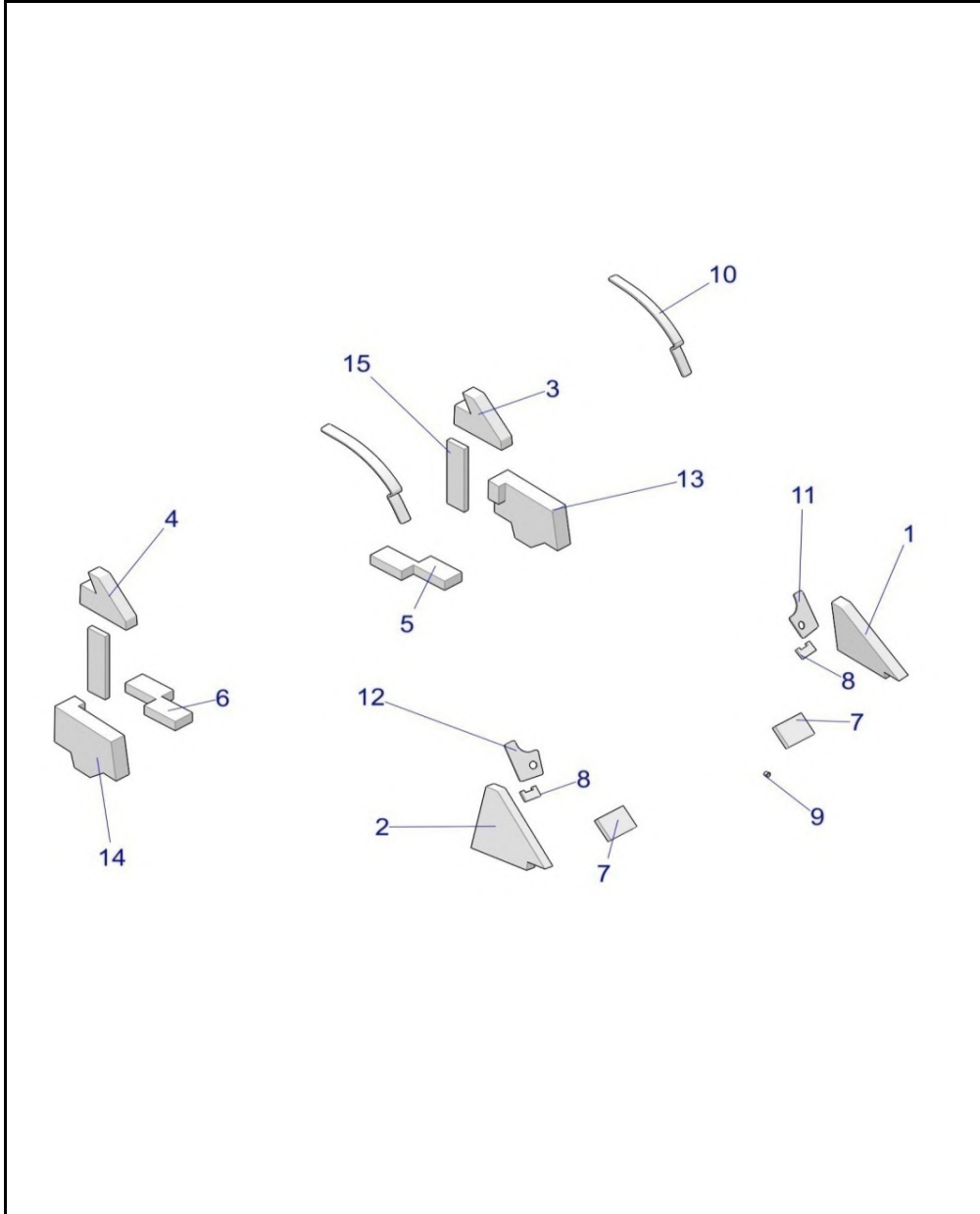
2022 RGR RANGER 1000 FULL SIZE EPS EU TRACTOR ZUG (R03) - R22TAE99FA/SFA/SCA/SCK



POS	SAP	Part Name	Qty
1	1047269	PANEL-CLOSEOFF,REAR,BLK	1
2	1014459	SCR-TXTH-M6X1.0X25 ZFB	AR
3	1014589	RIVET-TUFLOK,.315-.325X.787	AR
4	1047270	FENDER-UPPER,ROCKER,LH,BLK	1
5	1047271	FENDER-UPPER,ROCKER,RH,BLK	1
6	1047272	ASM-INTAKE,FENDER REAR,LH,BLK	1
7	1047273	ASM-INTAKE,FENDER REAR,RH,BLK	1
8	1047274	MESH-INTAKE-REAR,BLK	2
9	1044990	PLUG, COMPARTMENT	2
10	1047275	PANEL-CLOSEOFF,LOWER,BLK	1
11	1047276	K-BIN-STORAGE,CREW,RH,BLK [INCL DECAL]	1
12	1047277	K-STORAGE,UNDERSEAT,FRT,LH,BLK [INCL DECAL]	1
13	1047278	FLOOR-REAR,BLK	1
14	1014509	NUT-M6-1.0, U-TYPE (2.5-3.8)	8
15	1047279	WHEEL-LINER,REAR,LH,BLK	1

# BODY, SEALING FOAM

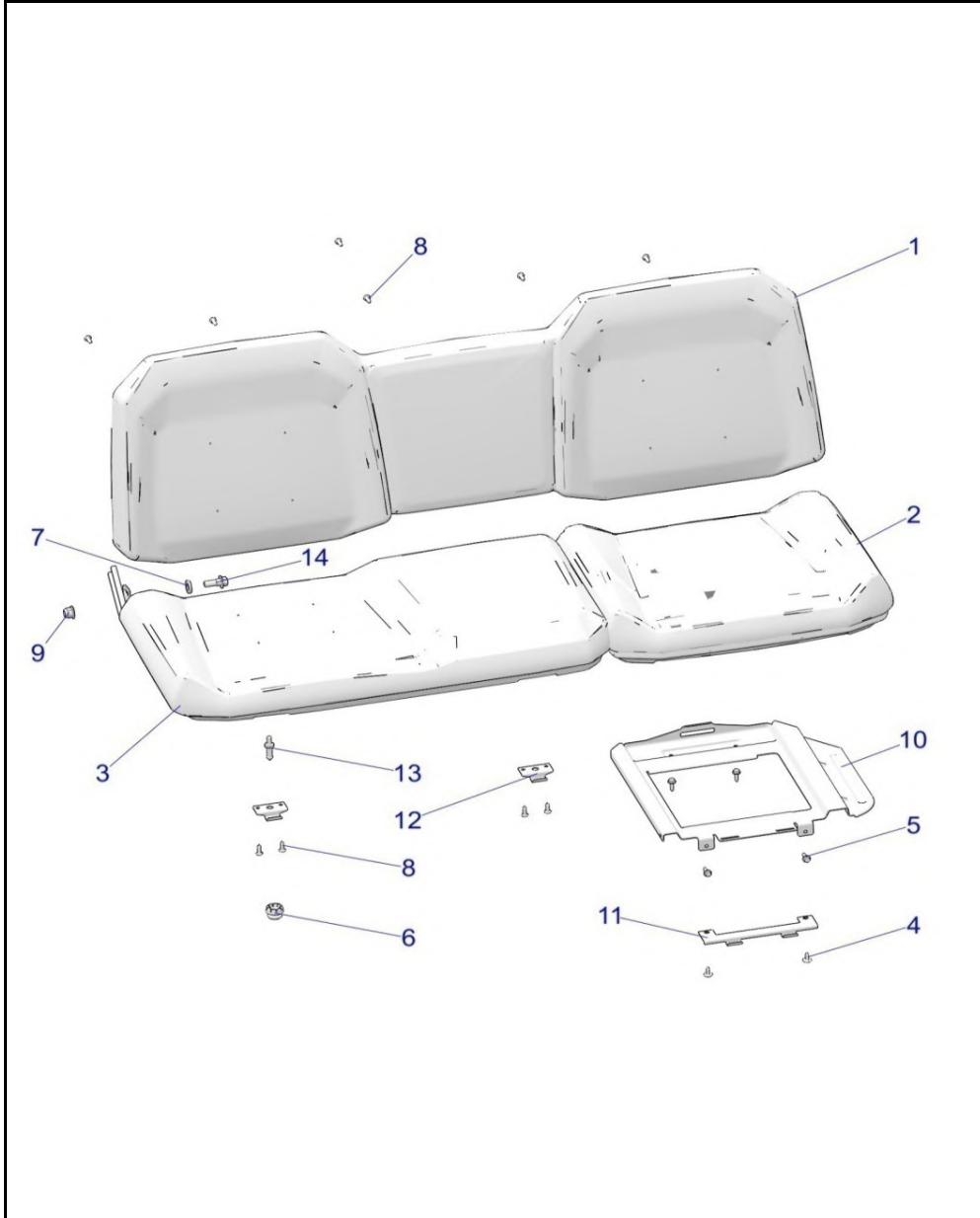
2022 RGR RANGER 1000 FULL SIZE EPS EU TRACTOR ZUG (R03) - R22TAE99FA/SFA/SCA/SCK



POS	SAP	Part Name	Qty
1	-----	FOAM-A PILLAR,LH	1
2	-----	FOAM-A PILLAR,RH	1
3	1047280	FOAM-B PILLAR,CVR,UPPER,LH	1
4	1047281	FOAM-B PILLAR,CVR,UPPER,RH	1
5	1047282	FOAM-B PILLAR,LOWER,LH	1
6	1047283	FOAM-B PILLAR,LOWER,RH	1
7	1047284	FOAM-CLOSEOFF,FRONT,BOTTOM	2
8	1047285	FOAM-CLOSEOFF,FRONT,TOP	2
9	1047286	PLUG, HOLE(10)	1
10	-----	SEAL,ROPS,ZS	2
11	1047287	SEAL-ACC WINDSHIELD,LWR,LH	1
12	-----	SEAL-ACC WINDSHIELD,LWR,RH	1
13	1047288	FOAM-B PILLAR,CVR,LOWER,LH	1
14	1047289	FOAM-B PILLAR,CVR,LOWER,RH	1
15	1047290	FOAM-B PILLAR,COVER	2

# BODY, SEAT ASM.

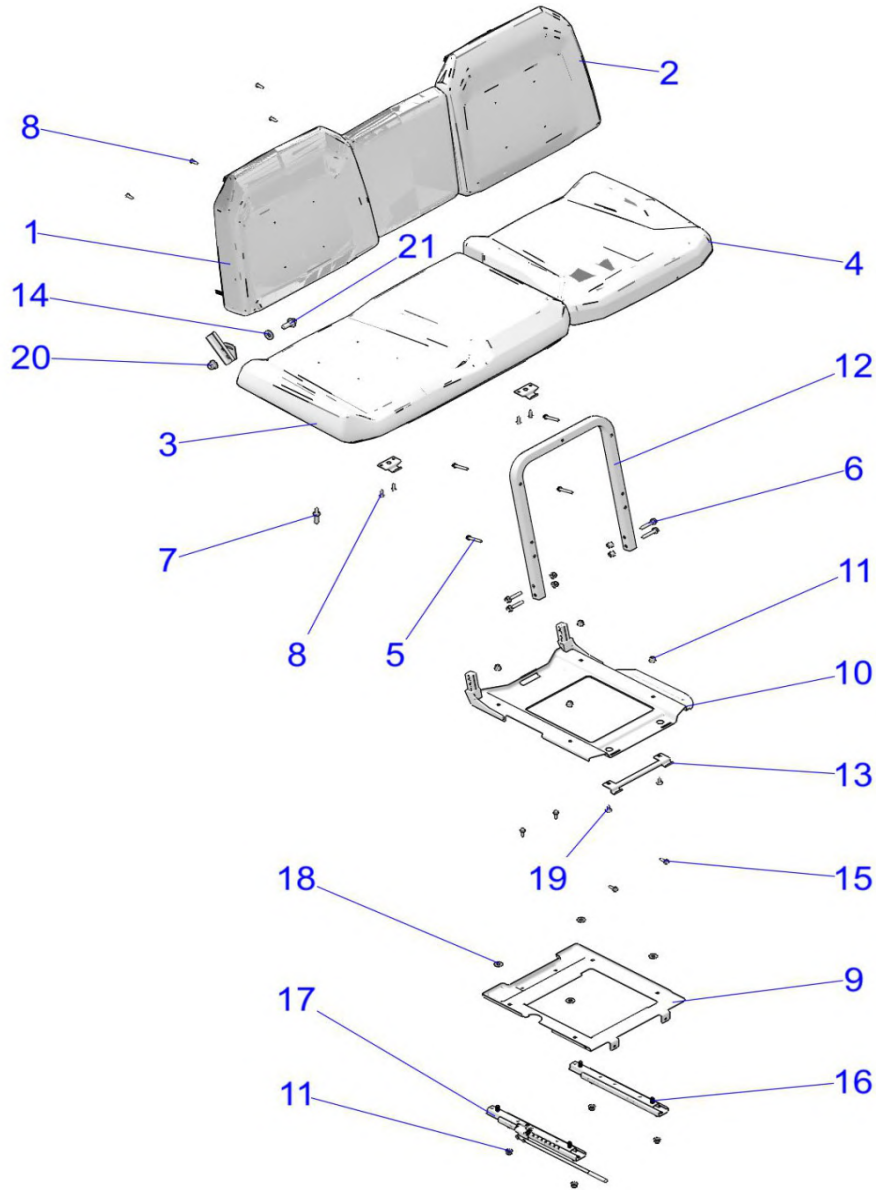
2022 RGR RANGER 1000 FULL SIZE EPS EU TRACTOR ZUG (R03) - R22TAE99FA/SFA/SCA/SCK



POS	SAP	Part Name	Qty
1	<a href="#">1047291</a>	ASM-SEAT,RNGR,BACK,BLK	1
2	<a href="#">1047297</a>	ASM-SEAT,BTM,40,VINYL,BLK	1
3	<a href="#">1047296</a>	ASM-SEAT,BTM,60,BLK	1
4	<a href="#">1014437</a>	SCR-M6X1X16 TR/TX-M	2
5	<a href="#">1039683</a>	SCR-M6X1.0X20, HXHD, FLG, TDFM, BK	4
6	<a href="#">1047292</a>	GROMMET	1
7	<a href="#">1045833</a>	WASHER-SEATBELT,RUBBER	4
8	<a href="#">1045772</a>	SCR-TX TRUSS-#14X3/4, HI/LO ZBK	AR
9	<a href="#">1040256</a>	NUT-HXFL M12X1.75 8 ZOD NYL	11
10	<a href="#">1046667</a>	BRKT-SEAT SUPPORT, FIXED, BLK	1
11	<a href="#">1046668</a>	BRKT-SEAT PIVOT, FIXED, BLK	1
12	<a href="#">1047293</a>	BRACKET, SEAT, HINGE	2
13	<a href="#">1047298</a>	PIN, SEAT LATCH	1
14	<a href="#">1046672</a>	SCR-HXFLSH-M12X1.75-M14X9 ZOD	4

# BODY, SEAT ASM. AND SLIDER

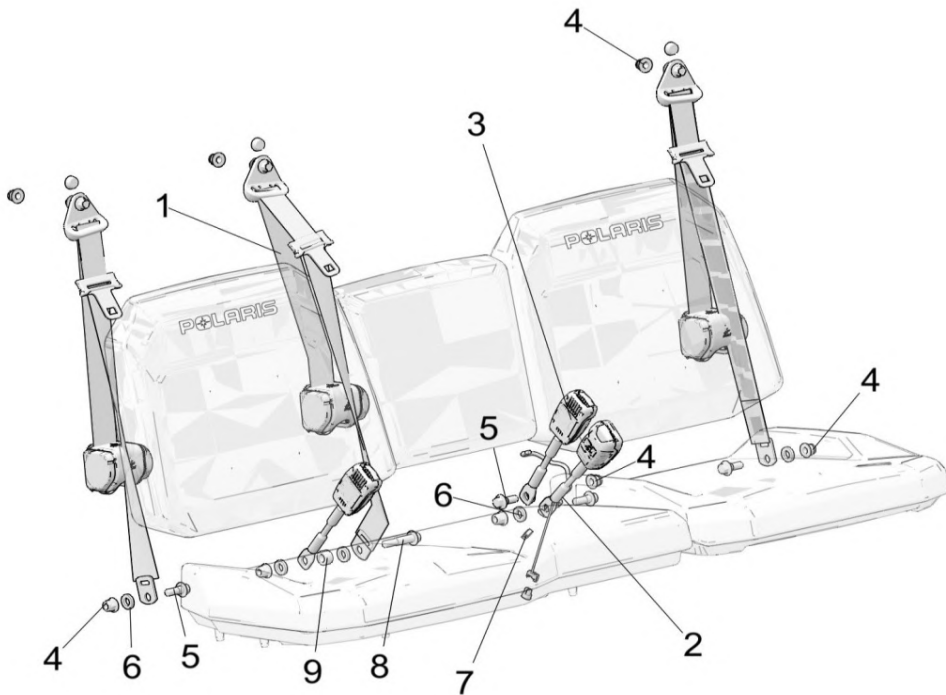
2022 RGR RANGER 1000 FULL SIZE EPS EU TRACTOR ZUG (R03) - R22TAE99FA/SFA/SCA/SCK



POS	SAP	Part Name	Qty
1	1047294	ASM-SEAT,BACK,60,BLK	1
2	1047295	ASM-SEAT,BACK,40,BLK	1
3	1047296	ASM-SEAT,BTM,60,BLK	1
4	1047297	ASM-SEAT,BTM,40,VINYL,BLK	1
5	1014425	SCR-#14X1-3/4 LG,HI/LO/TAPER-M	4
6	1014461	SCR-HXFL-M8X1.25X45 8.8 ZOD	4
7	1047298	PIN, SEAT LATCH	1
8	1045772	SCR-TX TRUSS-#14X3/4, HI/LO ZBK	16
9	1047299	BRKT-SEAT,BTM,BLK	1
10	1046622	WELD-SLIDE,SEAT,TOP,BLK	1
11	1014499	NUT- M8X1.25, FLG, NYLOC-OLIVE D	12
12	1011693	TUBE-SEAT,BACK,BLK	1
13	1046620	BRKT-SEAT HINGE,DOUBLE,BLK	1
14	1045833	WASHER-SEATBELT,RUBBER	4
15	1039683	SCR-M6X1.0X20, HXHD, FLG, TDFM, BK	4
16	1047300	SEAT ADJUSTER SLIDER LH, 6INCH	1
17	1047301	SEAT ADJUSTER SLIDER RH, 6INCH [TO 4/28/2022}	1
17	1047302	SEAT ADJUSTER SLIDER RH, 6INCH [FROM 4/28/2022}	1
18	1047303	WASHER-10.5X22.0X2.0	4
19	1014437	SCR-M6X1X16 TR/TX-M	2
20	1040256	NUT-HXFL M12X1.75 8 ZOD NYL	11
21	1046672	SCR-HXFLSH-M12X1.75-M14X9 ZOD	4

## BODY, SEAT BELT AND MOUNTING

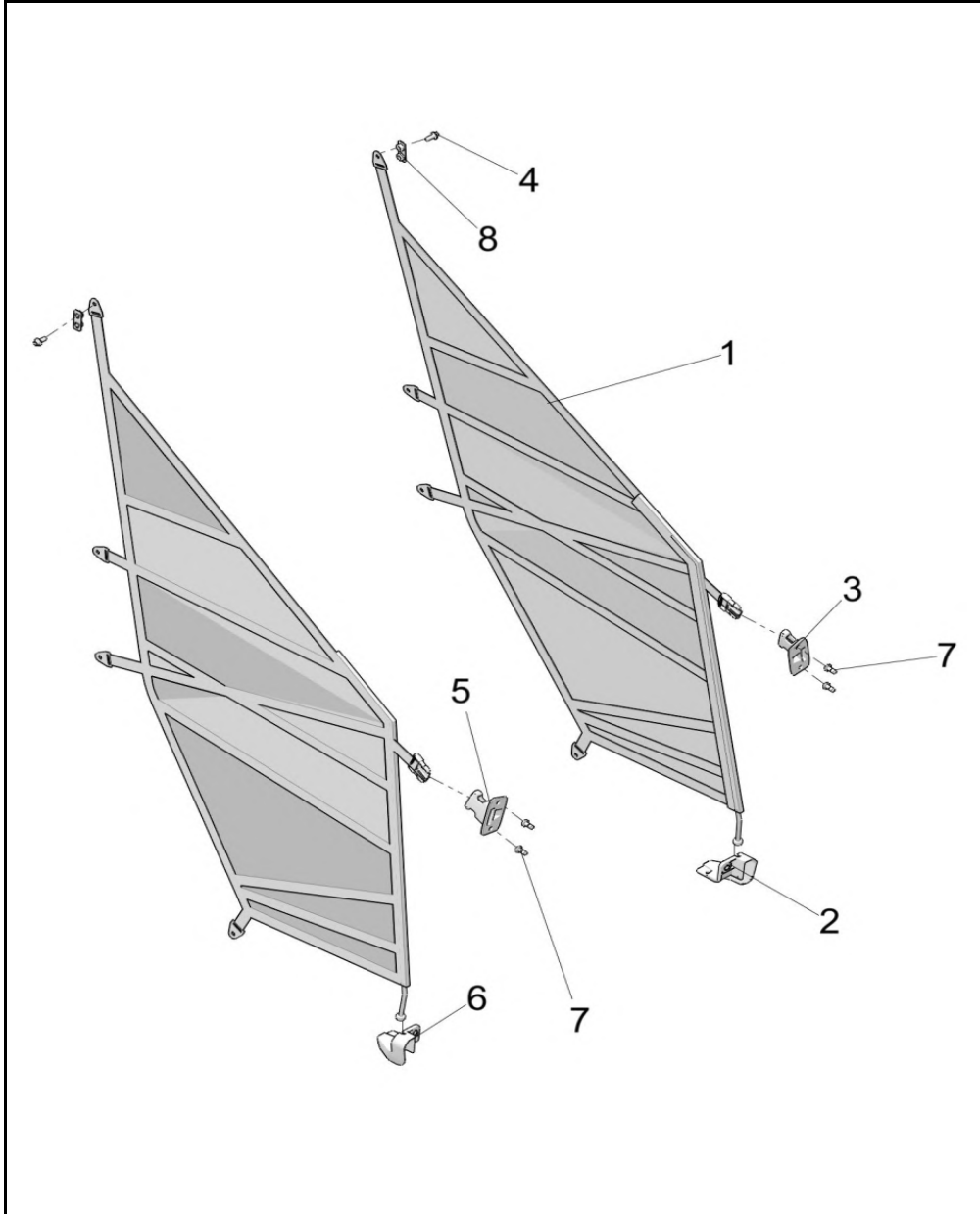
2022 RGR RANGER 1000 FULL SIZE EPS EU TRACTOR ZUG (R03) - R22TAE99FA/SFA/SCA/SCK



POS	SAP	Part Name	Qty
1	<a href="#">1046669</a>	ASM-SEAT BELT,3PT TR	3
2	<a href="#">1046670</a>	BUCKLE-SEATBELT,90,SWITCH,TR	1
3	<a href="#">1046671</a>	BUCKLE-SEATBELT,PASSENGER,TR	2
4	<a href="#">1040256</a>	NUT-HXFL M12X1.75 8 ZOD NYL	11
5	<a href="#">1046672</a>	SCR-HXFLSH-M12X1.75-M14X9 ZOD	4
6	<a href="#">1045833</a>	WASHER-SEATBELT,RUBBER	7
7	<a href="#">1046673</a>	CLIP-CONNECTOR, 6.35 MM HOLE	1
8	<a href="#">1046675</a>	SCR-HXFLSH-M12X1.75-M14X35 ZOD	1
9	<a href="#">1046674</a>	SPACER-25.4X14.6,BLK	1

# BODY, SIDE NETS

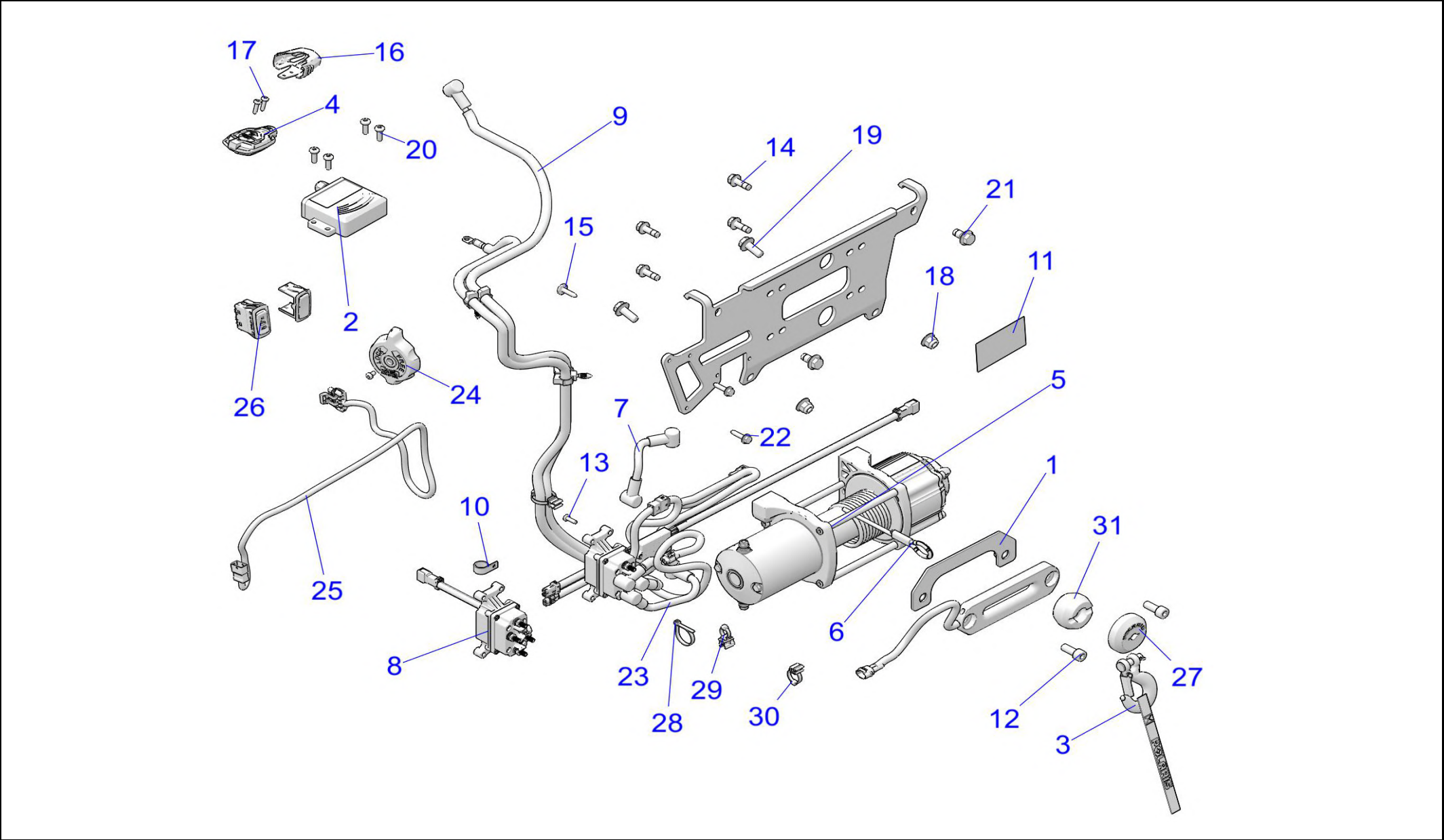
2022 RGR RANGER 1000 FULL SIZE EPS EU TRACTOR ZUG (R03) - R22TAE99FA/SFA/SCA/SCK



POS	SAP	Part Name	Qty
1	<a href="#">1047304</a>	NETS-DOOR,FRT,RGR	1
2	<a href="#">1011980</a>	MOUNT-NET,LOWER,LH [INCL. 1]	1
3	<a href="#">1011987</a>	CLIP-UPPER NET,LH	1
4	<a href="#">1047305</a>	SCREW-HXFL-M8X1.25X20 8.8 ZPB	2
5	<a href="#">1011988</a>	CLIP-UPPER NET,RH	1
6	<a href="#">1011984</a>	MOUNT-NET,LOWER,RH	1
7	<a href="#">1046609</a>	SCR-TXTH-M8X1.25X20 8.8 ZB3 P3	4
8	<a href="#">1046610</a>	PLATE, HINGE, BLACK	2

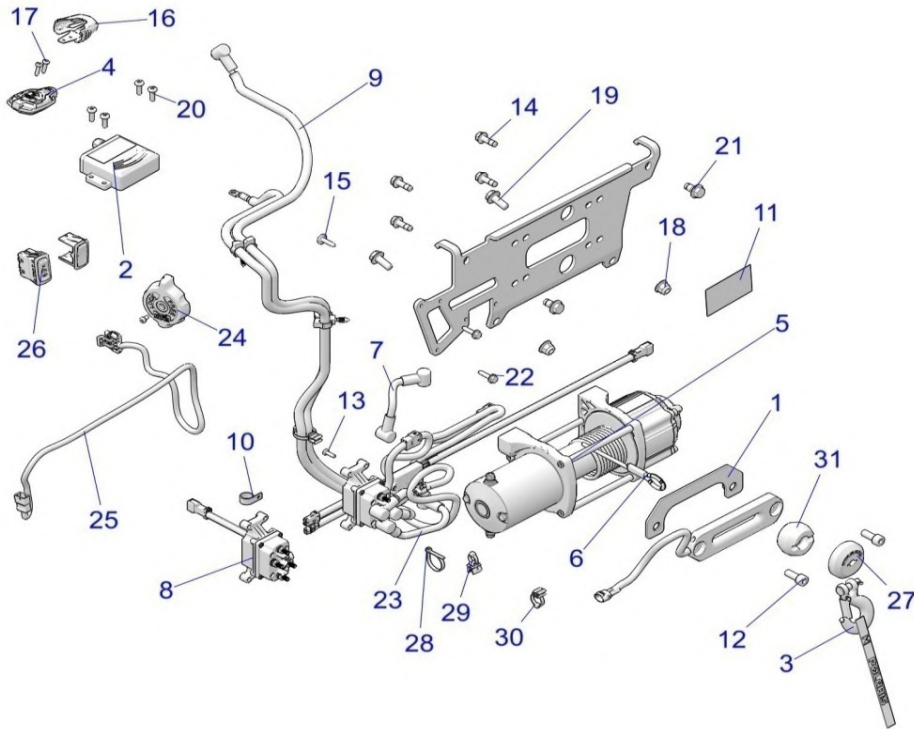
**BODY, WINCH**

2022 RGR RANGER 1000 FULL SIZE EPS EU TRACTOR ZUG (R03) - R22TAE99FA/SFA/SCA/SCK



# BODY, WINCH

2022 RGR RANGER 1000 FULL SIZE EPS EU TRACTOR ZUG (R03) - R22TAE99FA/SFA/SCA/SCK

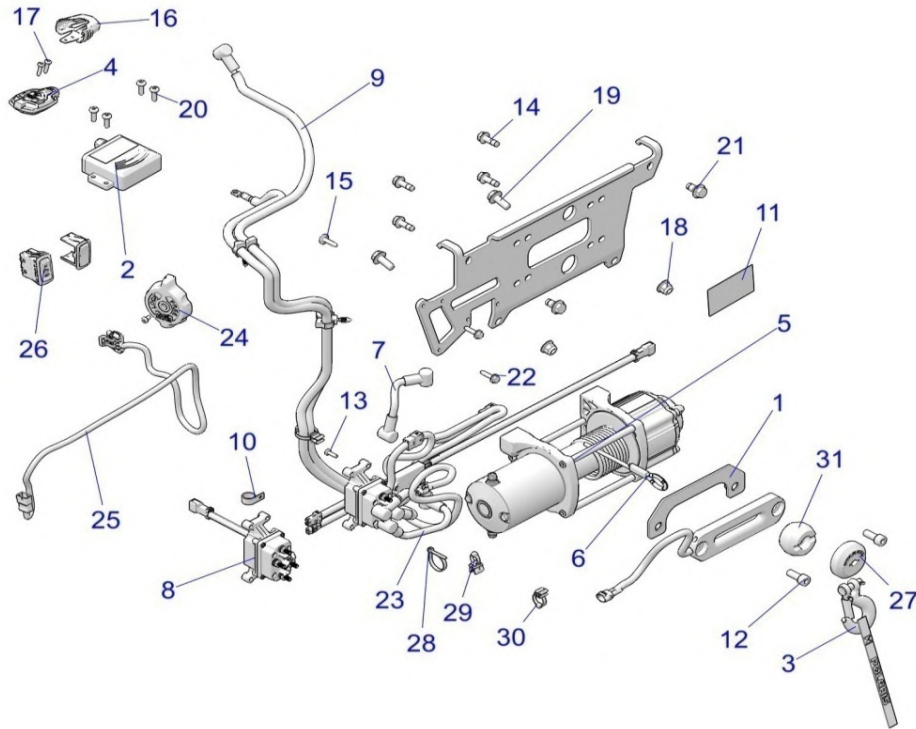


POS	SAP	Part Name	Qty
1	1047306	WELD-BRKT,WINCH FRLD BACKER [INCLS. PLATE]	1
1	1047307	PLATE-BACKER 4500,FAIRLEAD MNT	1
2	1047308	ASM-WINCH,REMOTE,WIRELESS	1
3	1047309	HOOK, LATCH, WINCH [INCLS. STRAP]	1
3	1047310	STRAP, WINCH, HOOK	1
3	1047311	PIN-CLEVIS,4500 WINCH	1
3	1047312	PIN-COTTER,WINCH	1
4	-----	RECEIVER-WRLSS,WINCH,ZUS	1
5	1047313	ASM-WINCH W/CNTR,45PROHD2,HS [INCLS. WINCH]	1
5	1047314	ASM-WINCH W/CONTR,45PROHD,ZS2	1
6	1047315	KIT-ROPE,WINCH,45,UHMW	1
7	1047316	CABLE-WINCH,YELLOW 6 GA,120MM	1
8	1047317	CONTACTOR-INT,UVRSL	1
9	1047318	CABLE-CONTACTOR-TERM BLOCK HS	1
10	1047319	CLAMP-.751D,RUBBER COATED,HD	1
11	1047320	DECAL-WINCH,POL,4500PRO	1
12	1047321	SCR-SH-M10X1.5X25 8.8 ZPB D513	2
13	1045565	SCREW-10X5/8-HI/LO,PN-T25,TRX-M	2
14	1046747	SCREW-HXFL-M8X1.25X20 8.8 ZOD P3	4
15	1014459	SCR-TXTH-M6X1.0X25 ZFB	1
16	1047322	HOLDER-REMOTE,WIRELESS,WINCH	1
17	1014423	SCREW-#10X3/4-HI/LO-PN-T25,TRX-M	2
18	1014504	NUT-M10X1.5 HFN NYLOC ZOD	2
19	1047323	SCR-M10X1.5X25 8.8 HXFL ZOD	2
20	1039758	SCR-TXPH-#14 X .75 HI-LO RIE	4
21	1039759	SCR-HXFL-M10X1.5X20 10.9 RIE P	2
22	1044268	SCR-TFHFL-M6X1.0X25,ZOD	2
23	1047324	CABLE-WINCH,BLUE,6 GA,80 MM	1
24	-----	K-SVC, HANDLE, HD WINCH	1
25	1047325	JUMPER-WINCH,SWITCH,SEALED	1



# BODY, WINCH

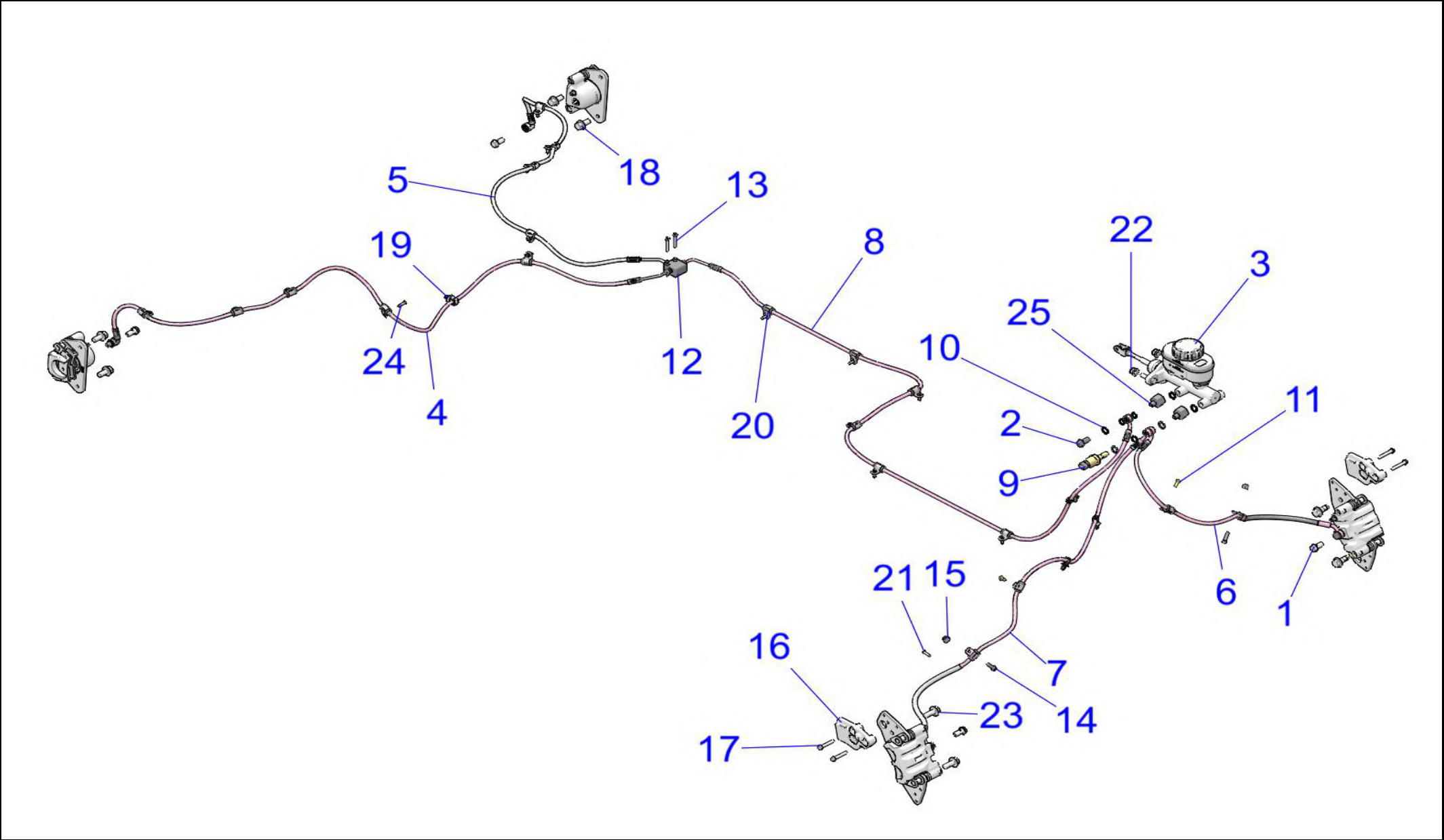
2022 RGR RANGER 1000 FULL SIZE EPS EU TRACTOR ZUG (R03) - R22TAE99FA/SFA/SCA/SCK



POS	SAP	Part Name	Qty
26	<a href="#">1047326</a>	SWITCH-WINCH	1
27	<a href="#">1047327</a>	STOP-MAGNET,BMPR,V2	1
28	<a href="#">1039612</a>	PANDUIT STRAP	1
29	<a href="#">1047328</a>	STRAP-CABLE TIEW/EDGECLIP3-6MM	2
30	<a href="#">1046909</a>	CLIP-EDGE, 1-3mm THICKNESS	1

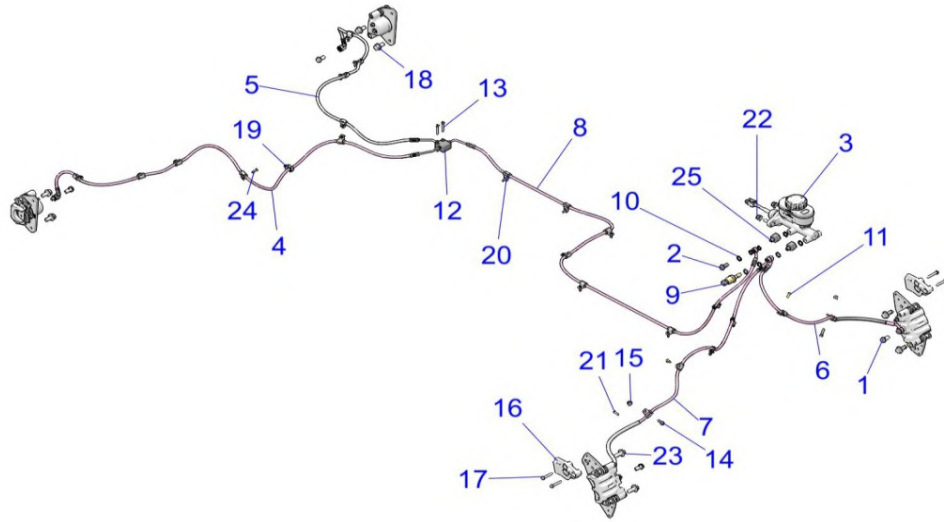
**BRAKES, BRAKE LINES AND MASTER CYLINDER**

2022 RGR RANGER 1000 FULL SIZE EPS EU TRACTOR ZUG (R03) - R22TAE99FA/SFA/SCA/SCK



# BRAKES, BRAKE LINES AND MASTER CYLINDER

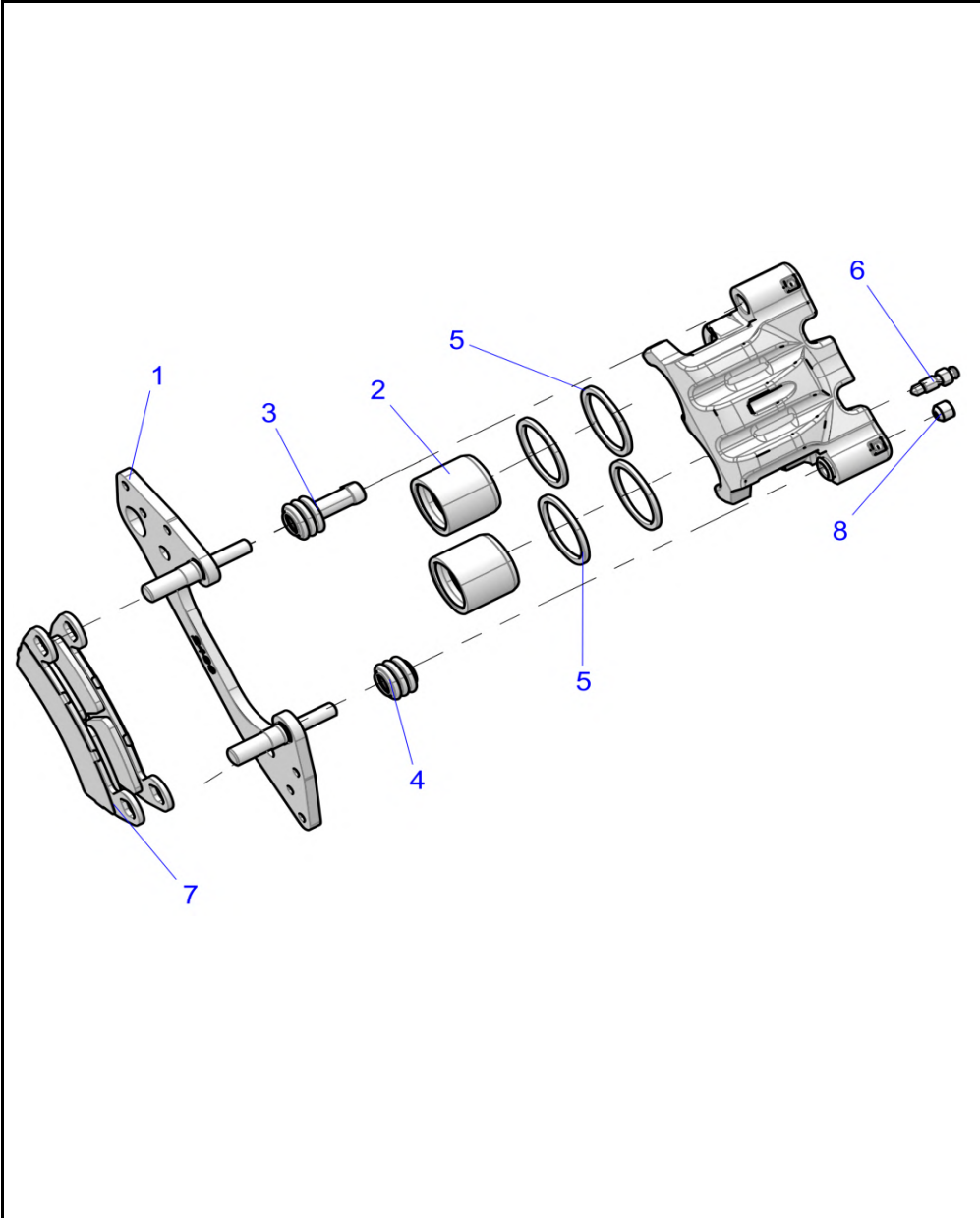
2022 RGR RANGER 1000 FULL SIZE EPS EU TRACTOR ZUG (R03) - R22TAE99FA/SFA/SCA/SCK



POS	SAP	Part Name	Qty
1	1039367	BOLT-BANJO,10MMX1.00-6G	4
2	1039368	BOLT-BANJO, 10MM X 1.25-6G	1
3	1046676	ASM-M/C-T-FLANGE,3/4 BORE	1
3	1047329	ASM,FLANGE-MNT-TMC,FLUID-LVL [S99CA][S99CK]	1
4	-----	LINE-BRK,RR,J	1
5	1046684	LINE-BRK, RL, 41.1, 45F, 90SB, 290J	1
6	1047330	LINE-BRAKE,FL	1
7	1047331	LINE-BRAKE,FR	1
8	1047332	LINE-BRK,MCT	1
9	1032907	SWITCH-BRK, M10X1.25, DBL, SEALED [QTY 1 FOR E99FA/S99FA][QTY 2 FOR S99CA/S99CK]	1
10	1011792	SEAL-STAT-0-3/8, 70EP	13
11	1039657	SCR-10-24X1/2, PHTXTRIRD, SEMS-Y	3
12	1039608	FITTING, TEE, BRAKE	1
13	1039655	SCR-10-24X1.25TFM PN TRX TRI-Y	2
14	1039698	SCREW-HXFL-M6X1.0X20 8.8 ZY3	2
15	1039789	NUT-HXFL-M6X1.0 8 ZB3 NYL	2
16	1045620	SCRAPER, BRAKE, FRONT	2
17	1014452	SCR-HXFL-M6X1.0X35, W/PATCHLOK	4
18	1039690	BOLT-M10X1.25X20,HXFLG-OLV D	4
19	1047333	CLIP-NYLON,FIR-TREE,7.0	4
20	-----	CLAMP	18
21	1039807	RIVET-POP 5/32(.251-.375)-ST-B	20
22	1014499	NUT- M8X1.25, FLG, NYLOC-OLIVE D	6
23	1039704	SCR-HXFL-M10X1.25X25 8.8 Z NY	4
24	1047334	RIVET-POP 3/16(.126-.250)-ST-B	1
25	1047335	REDUCER,FLS,1.2MM [S99CA][S99CK]	2

# BRAKES, FRONT CALIPER

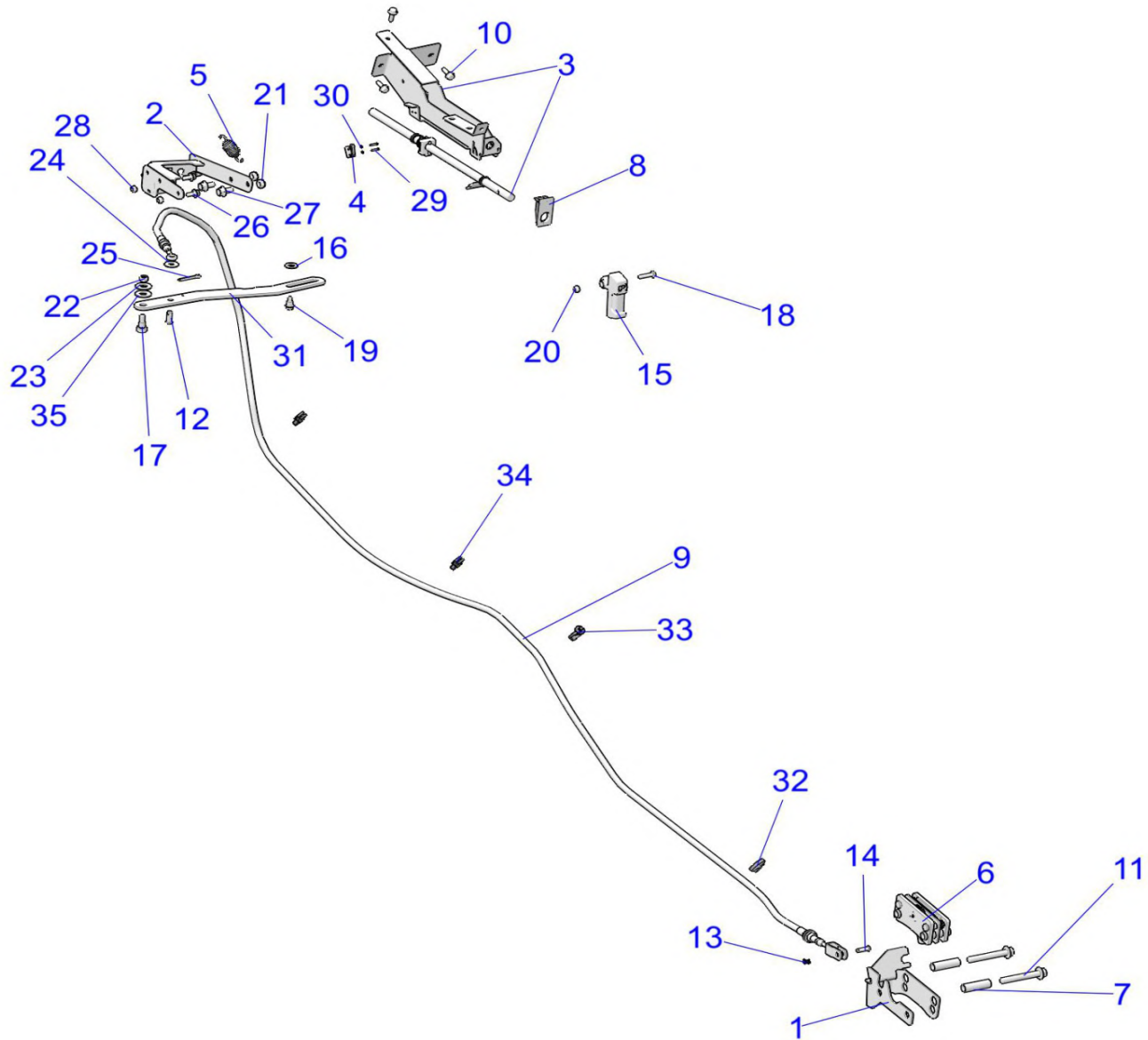
2022 RGR RANGER 1000 FULL SIZE EPS EU TRACTOR ZUG (R03) - R22TAE99FA/SFA/SCA/SCK



POS	SAP	Part Name	Qty
1	1039374	ASM., CALIPER, MOUNT, DOUBLE BORE	1
2	1011199	PISTON-BRAKE,1.375,AL,GROOVED	2
3	1011787	BOOT, PIN, BUSHING	1
4	1011788	SHORT CALIPER BOOT	1
5	1011791	SEAL-CALIPER,INNER,1.375"	4
6	1014062	SCR-M7X1.0,BLEEDER,OLIVE D	1
7	1005164	KIT-ASM,PAD,BRAKE,DB,1.375 [INCL. 2 PADS]	1
7	1045125	K-ASM,HD,PAD,BRK,DB,1.375 (HEAVY DUTY) [OPTIONAL]	1
8	1014436	SCR-M10X1.0X8,SOC SET-OD	1

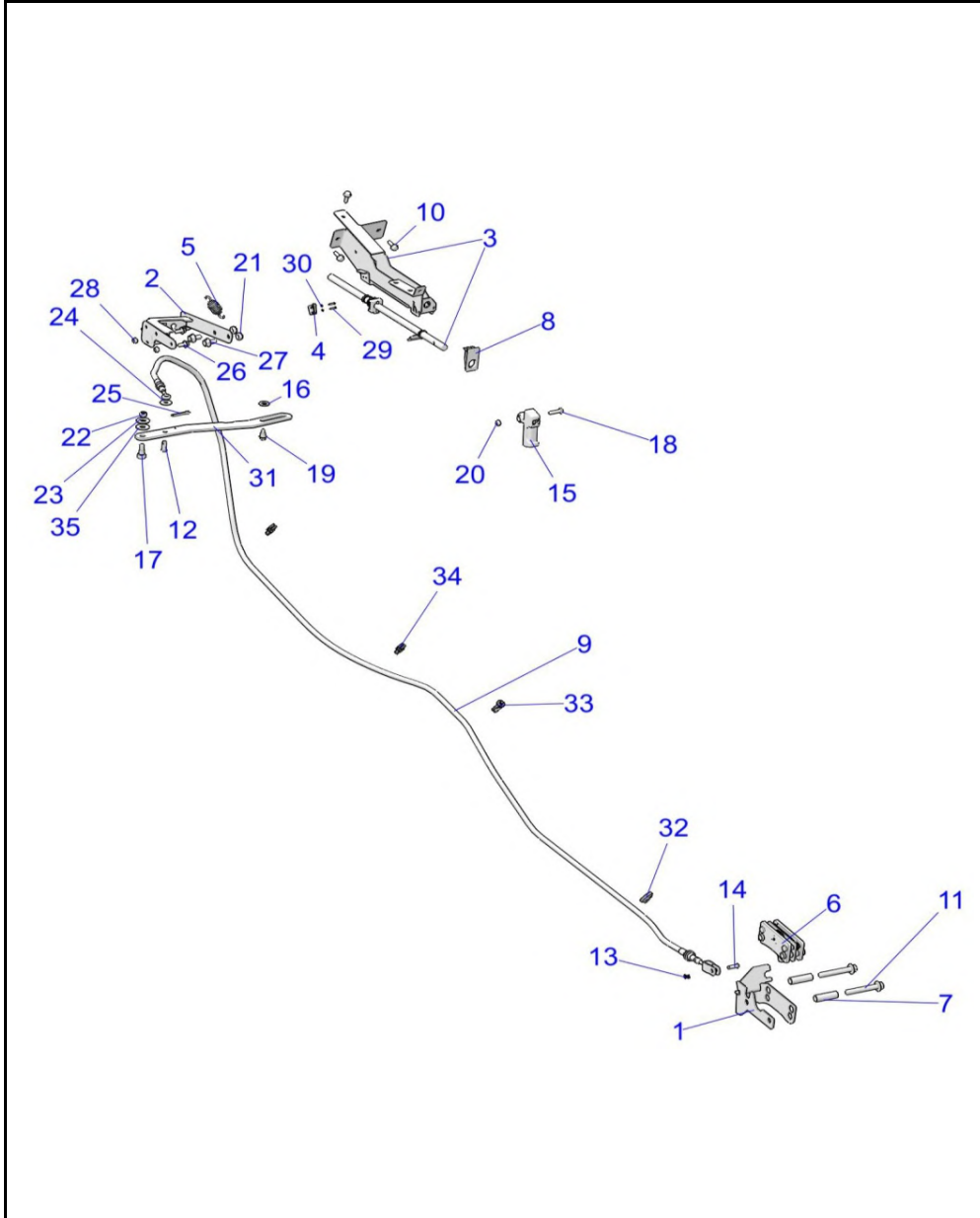
# BRAKES, PARK BRAKE

2022 RGR RANGER 1000 FULL SIZE EPS EU TRACTOR ZUG (R03) - R22TAE99FA/SFA/SCA/SCK



# BRAKES, PARK BRAKE

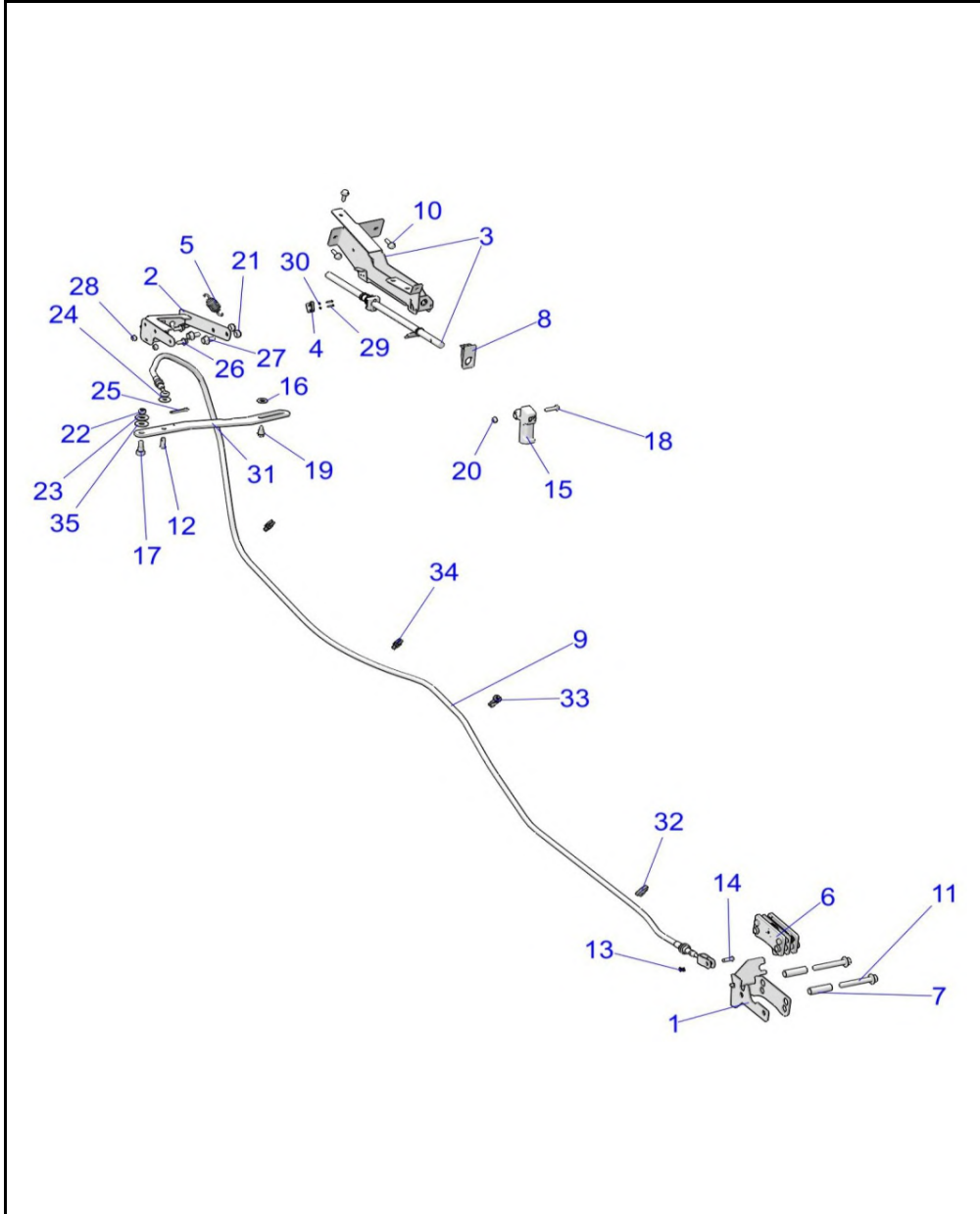
2022 RGR RANGER 1000 FULL SIZE EPS EU TRACTOR ZUG (R03) - R22TAE99FA/SFA/SCA/SCK



POS	SAP	Part Name	Qty
1	1047336	WELD-SHIFT&PB-CABLE,HERC,BLK	1
2	1047337	WELD-BRKT-CABLE,PB,BLK	1
3	1047338	ASM-T LEVER,PARK BRAKE [INCL. 3-6,29-31]	1
3	1047339	WELD-PARK BRAKE BRKT	1
4	1046712	SWITCH-PARK BRAKE,SVC	1
5	1047340	SPRING 20MM,PB,ZS	1
6	1047341	ASM-CLPR,PB,SERV,ZS	1
7	1040233	SPACER, PARKING BRAKE, 2 INCH	2
8	1046715	PLUG-HOLE,PARK BRAKE	1
9	1046716	CABLE-PARKING BRAKE,FRGR,EU	1
10	1039683	SCR-M6X1.0X20, HXHD, FLG, TDFM, BK	3
11	1039692	BOLT-M10X1.25X70,HXFLG-OLIVE D	2
12	1046717	PIN-CLEVIS,5/16 X 3/4	1
13	1039808	PIN, CLIP, 14MM	1
14	1039809	PIN-CLEVIS, 1/4 X 3/4 -Y	1
15	1047342	HANDLE-BRAKE,PARK	1
16	1046719	SPACER-FLAT	1
17	1046720	SCR-SOCHDSHLDR,M8X13,10DX10L	1
18	1046721	BOLT, TORX, PANHEAD, BLACK	1
19	1047343	SCREW-M6X1.0X16 SHLD ZPB	1
20	1039777	NUT-HEXHD,M6,DIN980V,0600100	1
21	1046077	NUT-M8X1.25C10,HX,NYL,DIN982,Z	2
22	1046723	NUT-HEX-M8X1.25 10 ZY3 P30	1
23	1046724	WSHR-FL .445X1.00X.093-Y	1
24	1046725	WASHER-.315/.325X.88X.075,FL-Y	1
25	1040152	CLIP-HITCHPIN .148X3 1/16	1
26	1046726	SCREW-HXFL-M6X1.0X14, 8.8 ZPB	2
27	1046727	SCR-HXFL-M8X1.25X16 8.8 ZPB	2
28	1039773	NUT-6MM X 1 NYLOK-Z	2
29	1046728	SCREW-M2X14	2

# BRAKES, PARK BRAKE

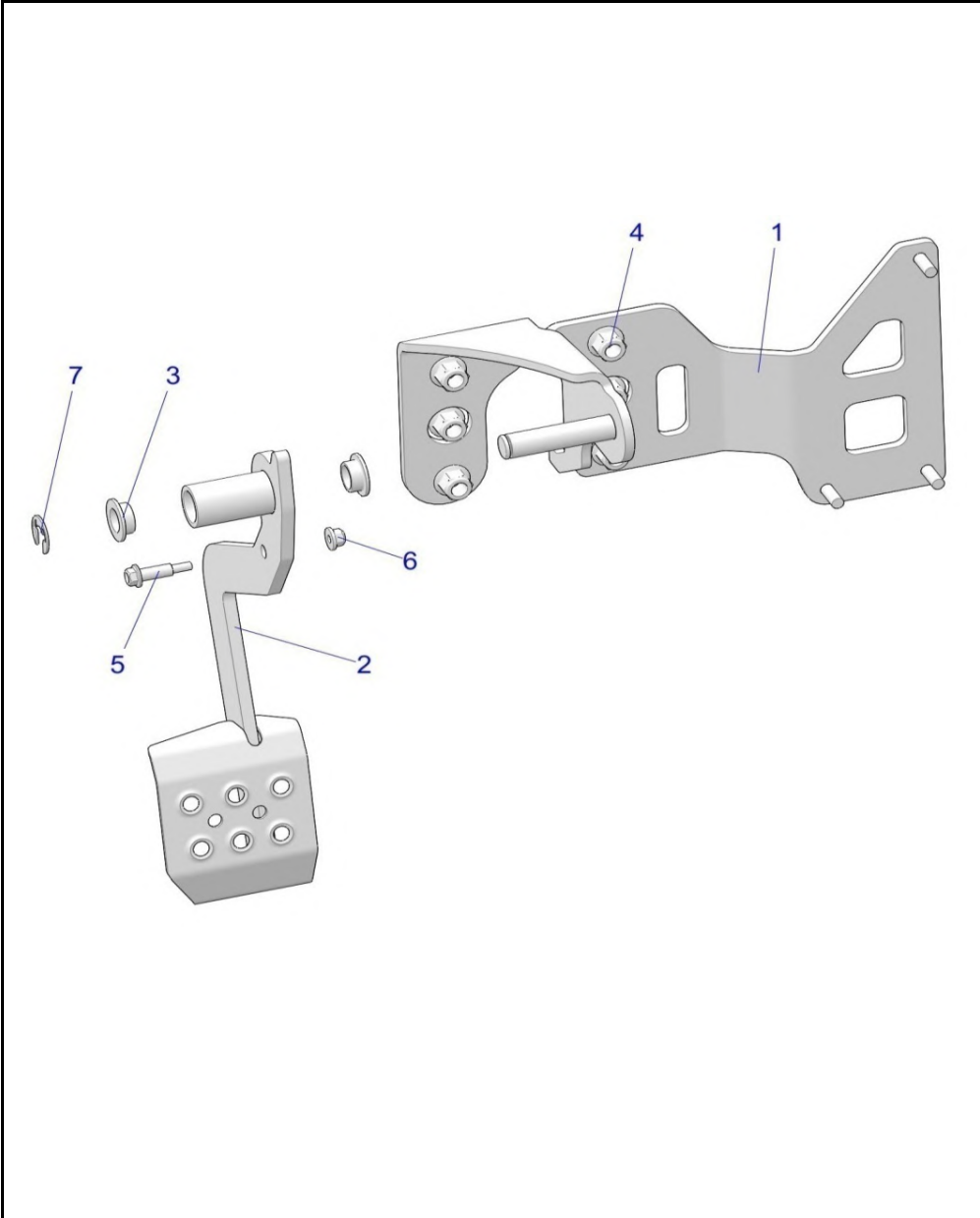
2022 RGR RANGER 1000 FULL SIZE EPS EU TRACTOR ZUG (R03) - R22TAE99FA/SFA/SCA/SCK



POS	SAP	Part Name	Qty
30	1046729	WASHER-M2	2
31	1047344	BRKT-LEVER,BLK	1
32	1047444	CLIP-DOUBLE CABLE TIE W/XMAS TREE 6.35MM HOLE (BK)	1
33	1047345	CABLE TIE-FIR TREE	1
34	1047441	CLIP-EDGE,1-3MM THICKNESS	2
35	1014520	WASHER-3/8 FW SAE STL THRU-HRD	1

# BRAKES, PEDAL

2022 RGR RANGER 1000 FULL SIZE EPS EU TRACTOR ZUG (R03) - R22TAE99FA/SFA/SCA/SCK

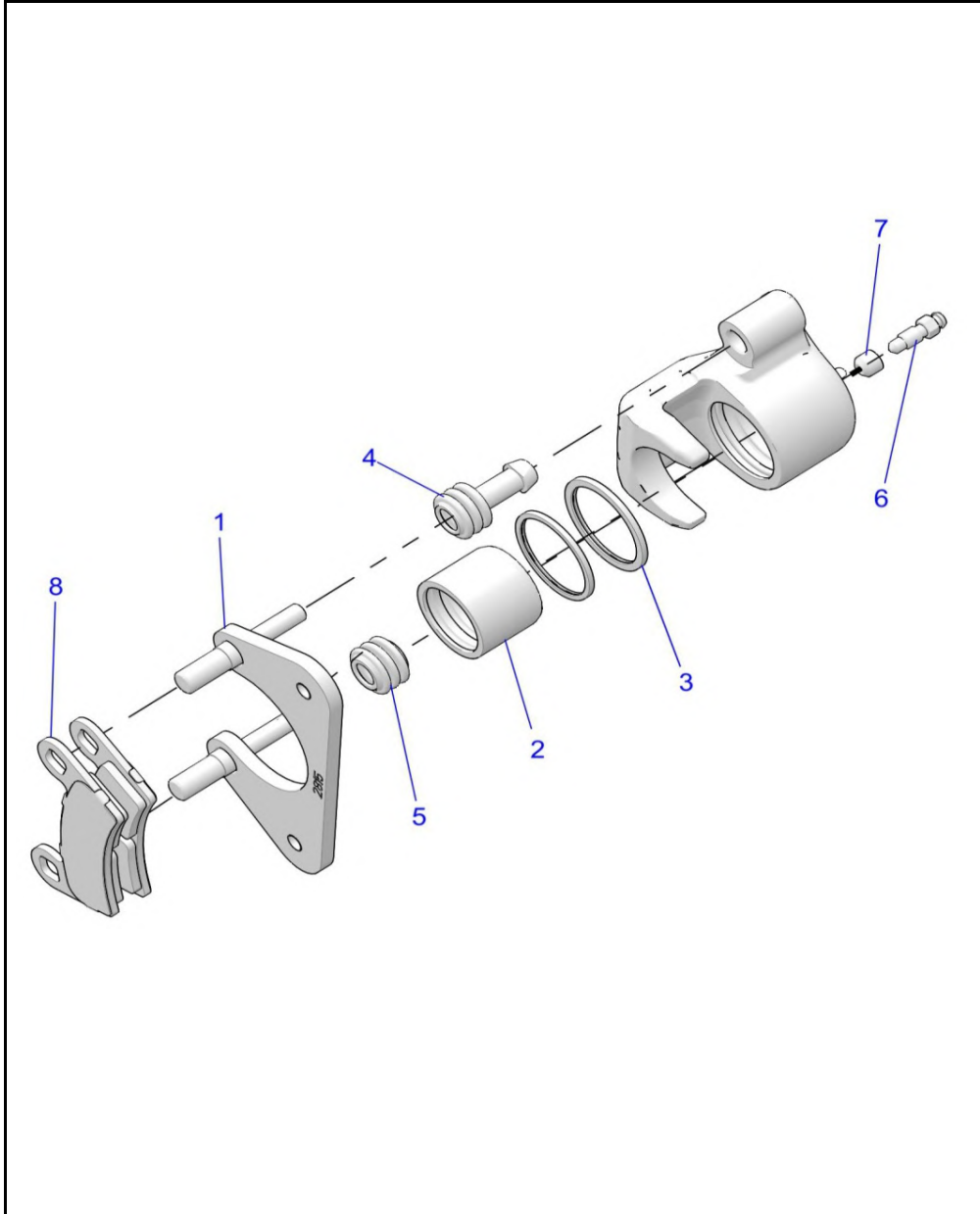


POS	SAP	Part Name	Qty
1	<a href="#">1046731</a>	WELD-PEDAL MOUNT,BLK	1
2	<a href="#">1001526</a>	PEDAL, BRAKE, MATTE BLACK [E99FA][S99FA]	1
3	<a href="#">1039567</a>	BUSHING, PEDAL, PIVOT	2
4	<a href="#">1014499</a>	NUT- M8X1.25, FLG, NYLOC-OLIVE D	6
5	<a href="#">1045124</a>	BOLT,M5X0.8X10,16.5 SHLD	1
6	<a href="#">1045123</a>	NUT-M5X0.8 8.8 HX/FL NYLOC	1
7	<a href="#">1039821</a>	RING-RETAINING, "E",EXT., .500	1



# BRAKES, REAR CALIPER

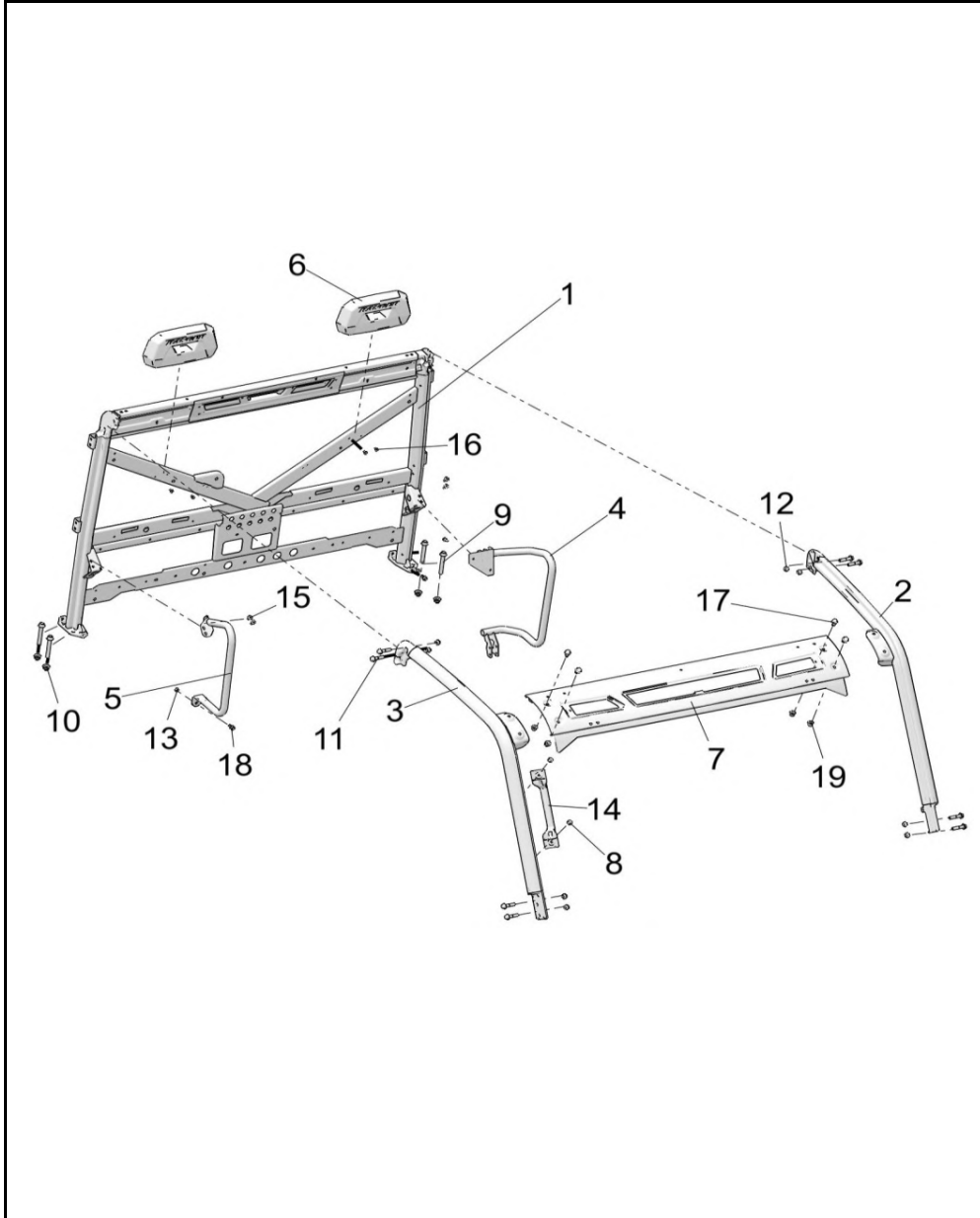
2022 RGR RANGER 1000 FULL SIZE EPS EU TRACTOR ZUG (R03) - R22TAE99FA/SFA/SCA/SCK



POS	SAP	Part Name	Qty
1	1046741	ASM-CALIPER MNT,SGL BORE	1
2	1011200	PISTON-BRAKE,1.5,AL,GROOVED	1
3	1011783	SEAL-CALIPER INNER,1.50"	1
4	1011787	BOOT, PIN, BUSHING	1
5	1011788	SHORT CALIPER BOOT	1
6	1014062	SCR-M7X1.0,BLEEDER,OLIVE D	1
7	1014436	SCR-M10X1.0X8,SOC SET-OD	1
8	1005140	KIT, BRAKE PAD, DUAL BORE [INCL. 4 PADS]	1
8	1040229	K-BRAKE,HD,PAD,DB1" (HEAVY DUTY) [OPTIONAL]	1

# CHASSIS, CAB FRAME

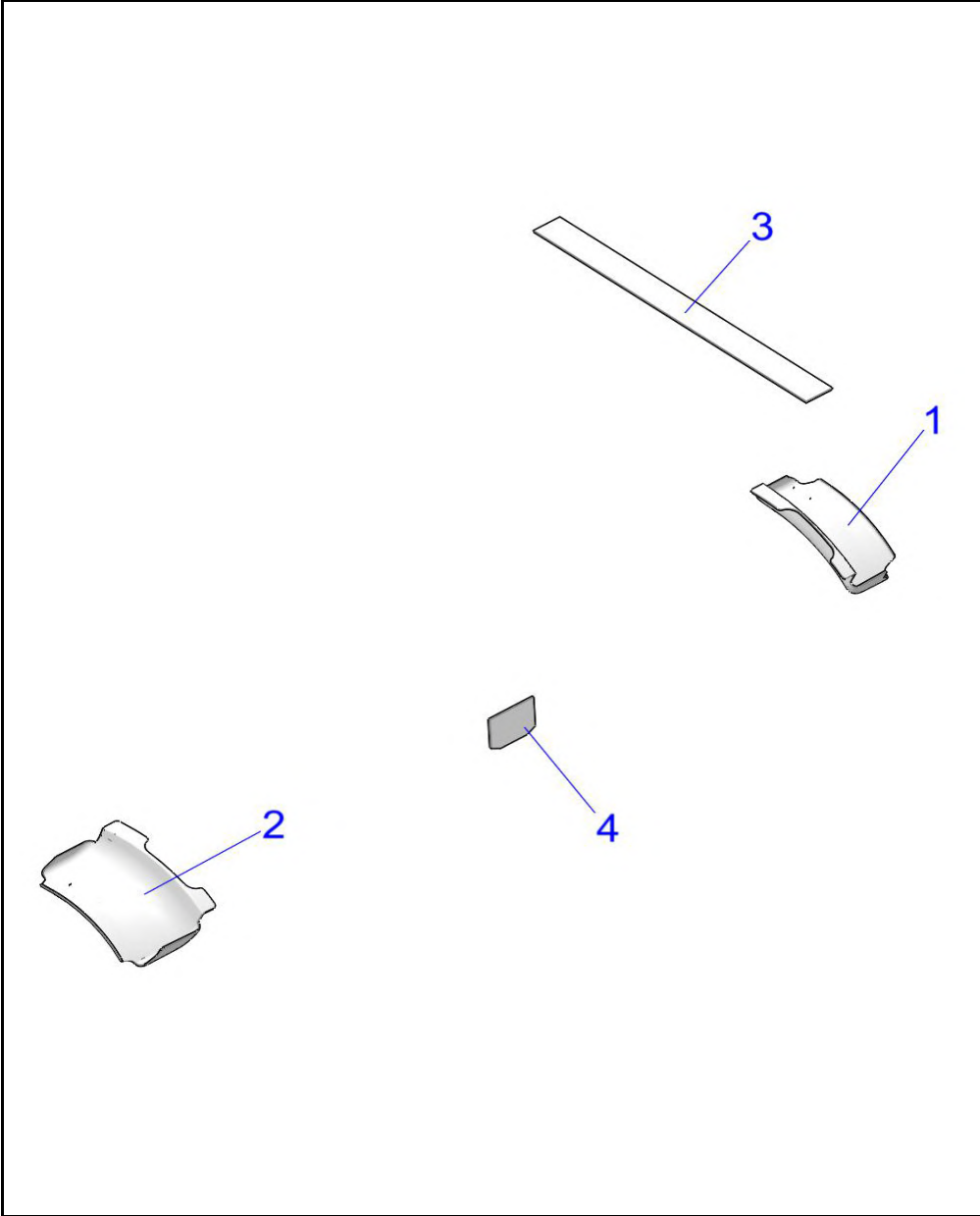
2022 RGR RANGER 1000 FULL SIZE EPS EU TRACTOR ZUG (R03) - R22TAE99FA/SFA/SCA/SCK



POS	SAP	Part Name	Qty
1	<a href="#">1028630</a>	WELD-CAB FRAME,REAR,EU,M.BLK	1
2	<a href="#">1001542</a>	WELD-CAB FRAME,FRT,LH,M.BLK	1
3	<a href="#">1001543</a>	WELD-CAB FRAME,FRT,RH,M.BLK	1
4	<a href="#">1047346</a>	WELD-BOLSTER,LH, M.BLK	1
5	<a href="#">1047347</a>	WELD-BOLSTER,RH, M.BLK	1
6	<a href="#">1047348</a>	HEADREST-BASIC,RGR,BLK	2
7	<a href="#">1047349</a>	K-PLATE,WSHLD MNT,UPR,RGRXP,EU [INCL. DECALS][E99FA]	1
7	<a href="#">1047350</a>	K-PLATE,WSHLD MNT,UPR,RGRXP,TR [INCL. DECALS][S99FA][S99CA][S99CK]	1
8	<a href="#">1039688</a>	SCR-TFHFL-M8X1.25X20 CHS ZOD	2
9	<a href="#">1046744</a>	SCR-SHXFL-M12X1.75X90 10.9 ZPC	4
10	<a href="#">1040256</a>	NUT-HXFL M12X1.75 8 ZOD NYL	4
11	<a href="#">1014470</a>	SCR-HXFL-M10X1.5X45 10.9 RIE	8
12	<a href="#">1039793</a>	NUT-HEX-M10X1.5 10 ZB3 NYL	8
13	<a href="#">1047351</a>	NUT-HEXHD,M8X1.25,0600092	2
14	<a href="#">1046745</a>	HANDLE, GRAB, ROPS, BLACK	1
15	<a href="#">1014459</a>	SCR-TXTH-M6X1.0X25 ZFB	4
16	<a href="#">1046746</a>	RIVET-POP 3/16 (.376-.500) AL-LFB	4
17	<a href="#">1039759</a>	SCR-HXFL-M10X1.5X20 10.9 RIE P	4
18	<a href="#">1046747</a>	SCREW-HXFL-M8X1.25X20 8.8 ZOD P3	2
19	<a href="#">1047352</a>	NUT-HXFL-M10X1.5 8 ZB3 NYL	4

# CHASSIS, EDGE COVER, TR

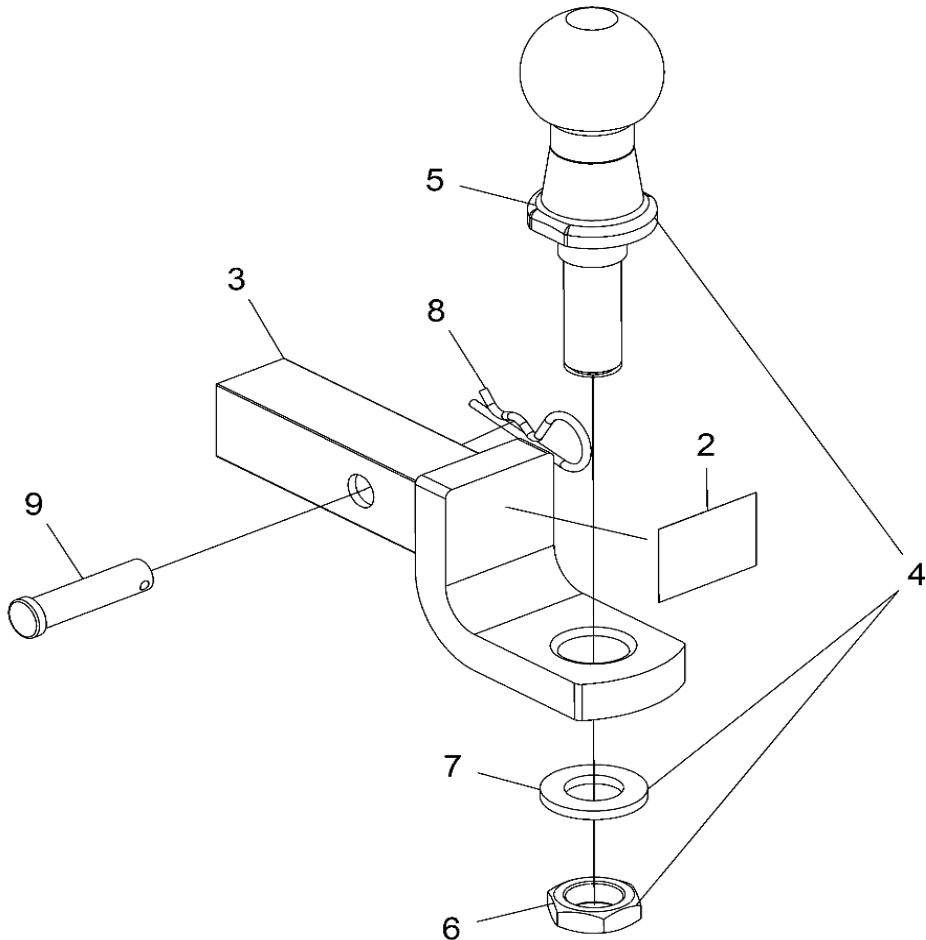
2022 RGR RANGER 1000 FULL SIZE EPS EU TRACTOR ZUG (R03) - R22TAE99FA/SFA/SCA/SCK



POS	SAP	Part Name	Qty
1	1046515	COVER-WS,LH,TR,BLK	1
2	1046516	COVER-WS,RH,TR,BLK	1
3	1040242	PAD-STRAP,43X490	1
4	1046517	PAD-STRAP,75X53	1

# CHASSIS, HITCH

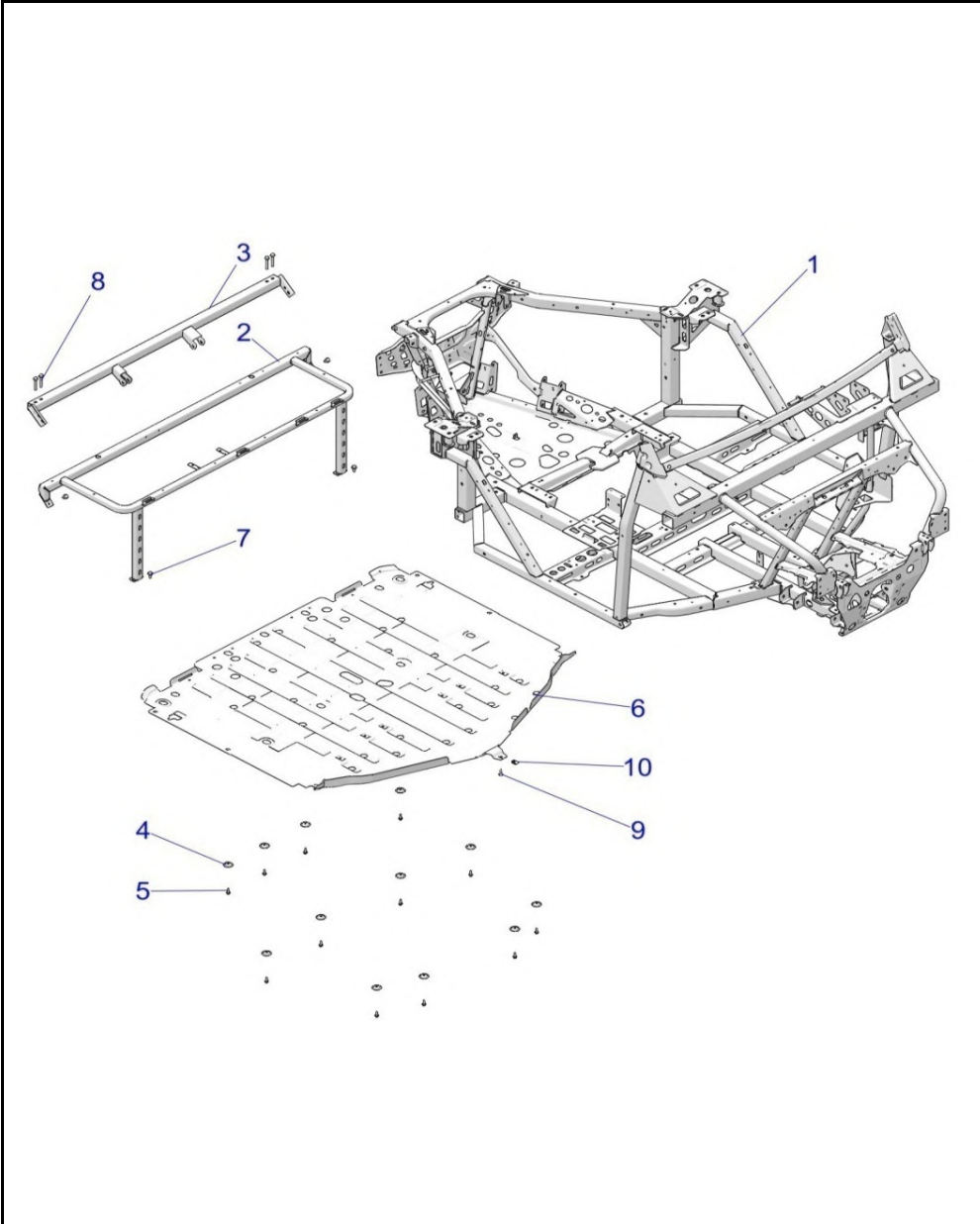
2022 RGR RANGER 1000 FULL SIZE EPS EU TRACTOR ZUG (R03) - R22TAE99FA/SFA/SCA/SCK



POS	SAP	Part Name	Qty
1	1046748	HITCH-RGR	1
2	-----	DECAL-HITCH,RGR,CERTIFD,REG55	1
3	-----	WELD-HITCH,RGR,EU,M.BLK	1
4	-----	K-BALL,REAR,TRC/ZUG,R55	1
5	-----	HITCH-BALL,REG 55,ATV,TRC/ZUG	1
6	-----	NUT-HEX,M20X1.5X10	1
7	-----	WASHER-3/4IN,HARDENED	4
8	-----	CLIP-HITCHPIN .148X3 1/16	4
9	-----	PIN-TRAILER,RGR	1

# CHASSIS, MAIN FRAME

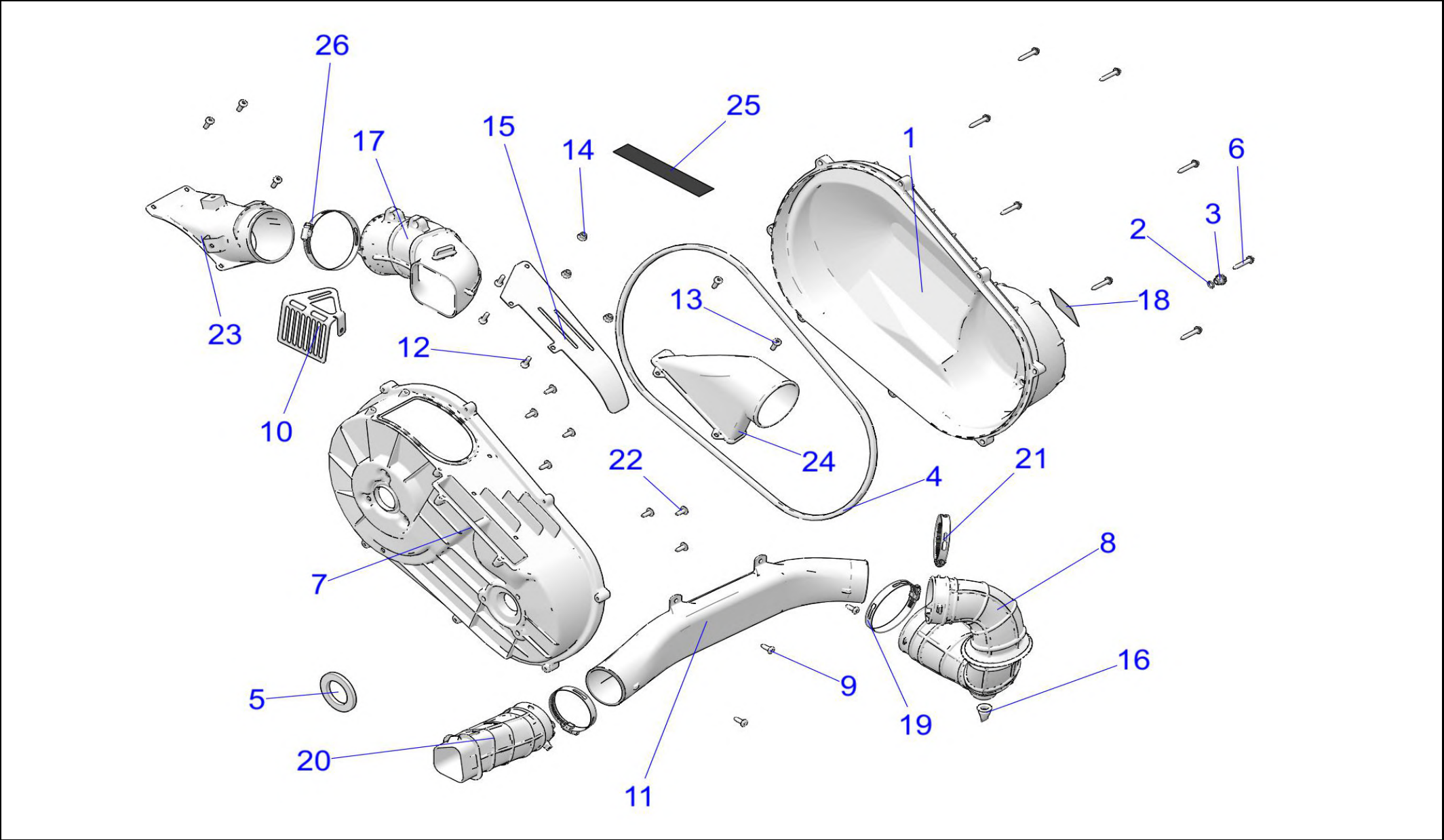
2022 RGR RANGER 1000 FULL SIZE EPS EU TRACTOR ZUG (R03) - R22TAE99FA/SFA/SCA/SCK



POS	SAP	Part Name	Qty
1	-----	K-FRAME,MAIN,BLK [INCL. DECAL][E99FA]	1
2	-----	WELD-SEAT BASE,MAIN,ECOAT	1
3	<a href="#">1047353</a>	WELD-CROSSBAR,EU, M.BLK	1
4	<a href="#">1039802</a>	WASHER, PLATE, SKID	13
5	<a href="#">1039683</a>	SCR-M6X1.0X20, HXHD, FLG, TDFM, BK	13
6	<a href="#">1039238</a>	PLATE-SKID, BLK	1
7	<a href="#">1039688</a>	SCR-TFHFL-M8X1.25X20 CHS ZOD	4
8	<a href="#">1040241</a>	SCR-HXFL-M8X1.25X55 8.8 ZB	4
9	<a href="#">1014459</a>	SCR-TXTH-M6X1.0X25 ZFB	1
10	<a href="#">1014509</a>	NUT-M6-1.0, U-TYPE (2.5-3.8)	1

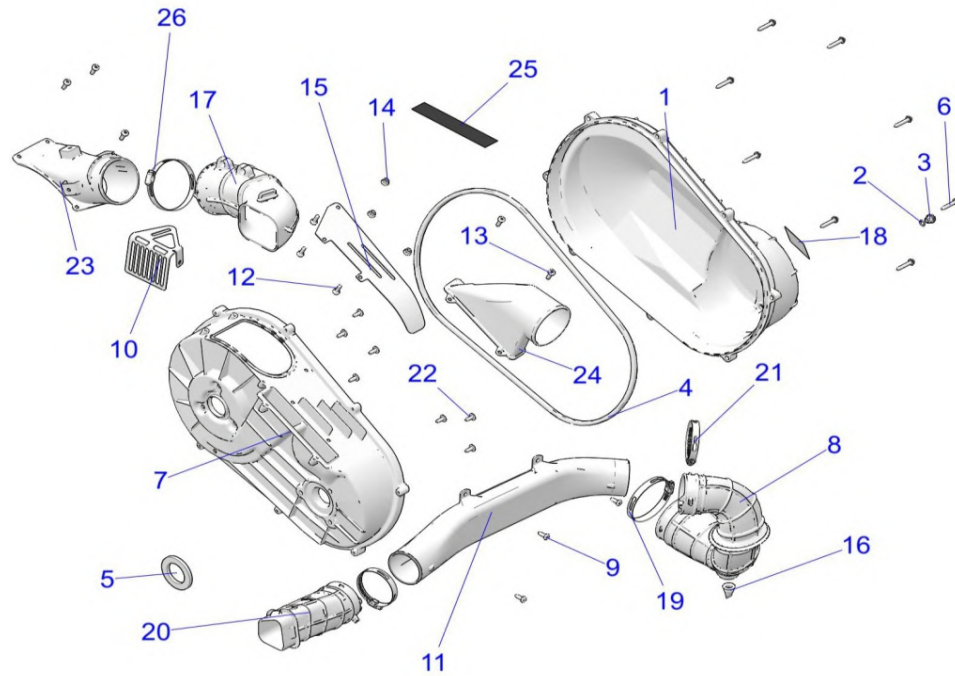
**DRIVE TRAIN, CLUTCH COVER and DUCTING**

2022 RGR RANGER 1000 FULL SIZE EPS EU TRACTOR ZUG (R03) - R22TAE99FA/SFA/SCA/SCK



# DRIVE TRAIN, CLUTCH COVER and DUCTING

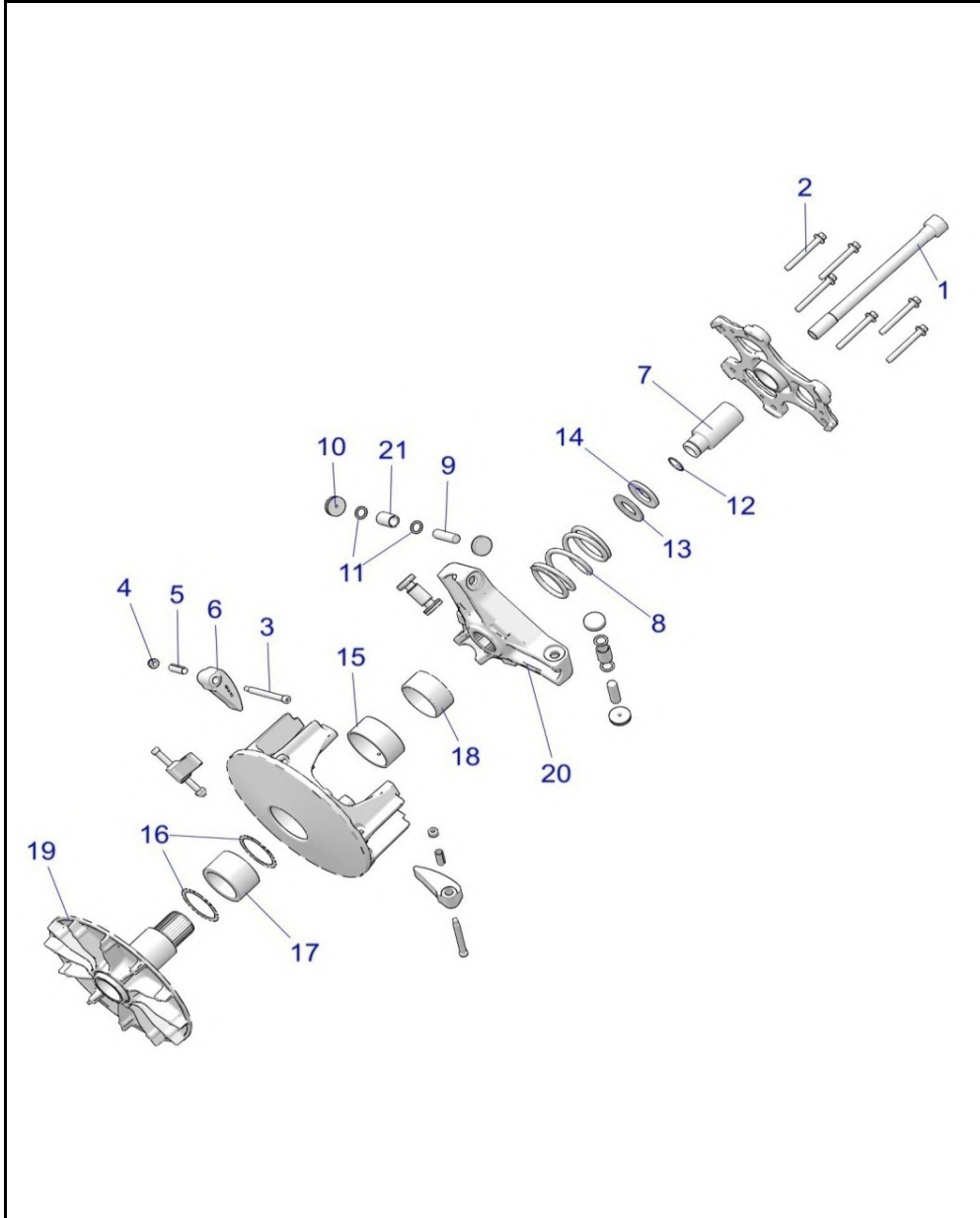
2022 RGR RANGER 1000 FULL SIZE EPS EU TRACTOR ZUG (R03) - R22TAE99FA/SFA/SCA/SCK



POS	SAP	Part Name	Qty
1	-----	K-CVR,CLUTCH,OTR,RGR [INCL. DECAL]	1
2	1039532	O-RING, MOLDED Substituted by 5411432	1
3	1011827	PLUG, DRAIN, CLUTCH COVER	1
4	1012150	SEAL, COVER, CLUTCH, OUTER	1
5	1034416	SEAL, COVER, PTO	1
6	1039748	SCREW-NXFL-M6X35 ZOD HILO	8
7	1047354	ASM., COVER, CLUTCH, INNER [INCL. 5,12-15,23,24]	1
8	1047355	HOSE, INTAKE, CLUTCH	1
9	1045772	SCR-TX TRUSS-#14X3/4, HI/LO ZBK	3
10	1047356	BRACKET, SCREEN, BELT	1
11	1047357	DUCT, INTAKE, CLUTCH	1
12	1039685	SCR-M6X1.0X20MM,TX,PH,8.8-B	3
13	1039734	SCR-#14X3/4 HI/LO-PH-PN TRX-M	5
14	1039789	NUT-HXFL-M6X1.0 8 ZB3 NYL	3
15	1039513	BRACKET, GUARD, CLUTCH COVER	1
16	1039544	PLUG, DRAIN, HC	1
17	1047358	DUCT-CLUTCH,AIR OUTLET	1
18	1039641	DECAL-BELT,WARNING/CHECK	1
19	1040260	CLAMP, HOSE SLOTTED, 89-100 DIA	1
20	1047359	HOSE-CLUTCH,DUCT	1
21	1033329	CLAMP-HOSE SLOTTED,60-80 DIA	2
22	1047360	SCR-TXTH-M6X1.0X16 ZPB	7
23	1047361	DUCT-CLUTCH,AIR OUTLET	1
23	1047362	KIT-BRKT, OULET DUCT	1
24	1039563	DUCT, CLUTCH, AIR INLET	1
25	1039644	DECAL, WARNING, CLUTCH COVER, EU	1
26	1039634	CLAMP-WORM DRIVE,3.69 DIA	1

# DRIVE TRAIN, CLUTCH, PRIMARY

2022 RGR RANGER 1000 FULL SIZE EPS EU TRACTOR ZUG (R03) - R22TAE99FA/SFA/SCA/SCK

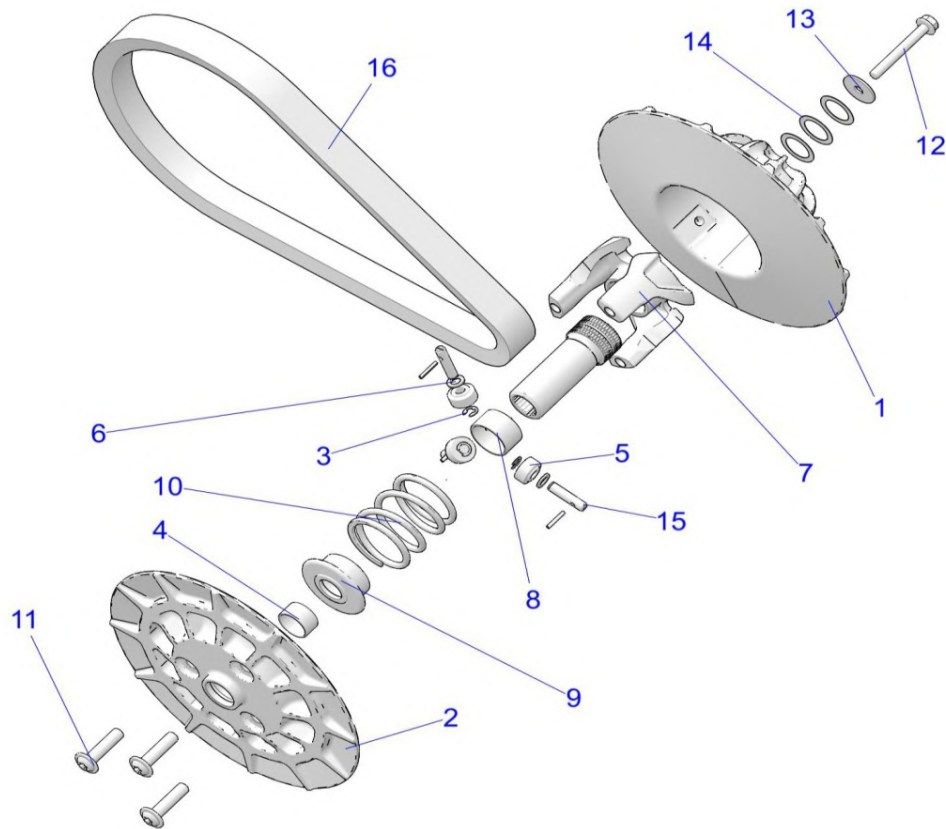


POS	SAP	Part Name	Qty
	1047363	ASM-DRV CLTCH,BSC,P190XNEBS [INCLS. 2-4,7,9-21]	1
1	1046841	SCR-SH-M14X1.5X180 10.9 SPC	1
2	1014430	SCR-M6X1.0X50.0 HX/FL-Y/D	6
3	1014491	BOLT-SHIFT WEIGHT,BUSHED	3
4	1014495	NUT-10-24-FLEX LOC-Z	3
5	1011973	BUSHING-WEIGHT,1/4X7/8,DU	3
6	1047364	ASM-WEIGHT-SHIFT,32-112,HC [INCL. WEIGHT & BUSHING]	3
7	1047365	POST-CLUTCH,OUTER,O-RING	1
8	1047366	SPRING-CLUTCH,99-277	1
9	1011262	PIN-SPIDER	3
10	1047367	BUTTON-CLUTCH,22MM,SCP	6
11	1011974	WASHER-CLUTCH,SPIDER ROLLER	6
12	1047368	O-RING-1.0X17.5MM	1
13	1047369	WSHR-20.5X38.0X2.27 P&O	1
14	1014536	WSHR-BELLE,21X37.5X3.8,SPC	1
15	1047370	BUSHING-50X55X25,MU	1
16	1046844	WSHR-CLUTCH,40.5X49X0.8,SP-21	2
17	1047371	BEARING-NEEDLE,40X50X30	1
18	1047372	SPACER-CLUTCH,P90X,QPQ	1
19	1047373	ASM-SHEAVE,STAT,P190X 1000	1
20	1047374	ASM-SPIDER,22MM,P90X,HD [INCL. 9-11,21]	1
21	1047375	ROLLER-SPIDER,12X14.3X25	3



## DRIVE TRAIN, CLUTCH, SECONDARY

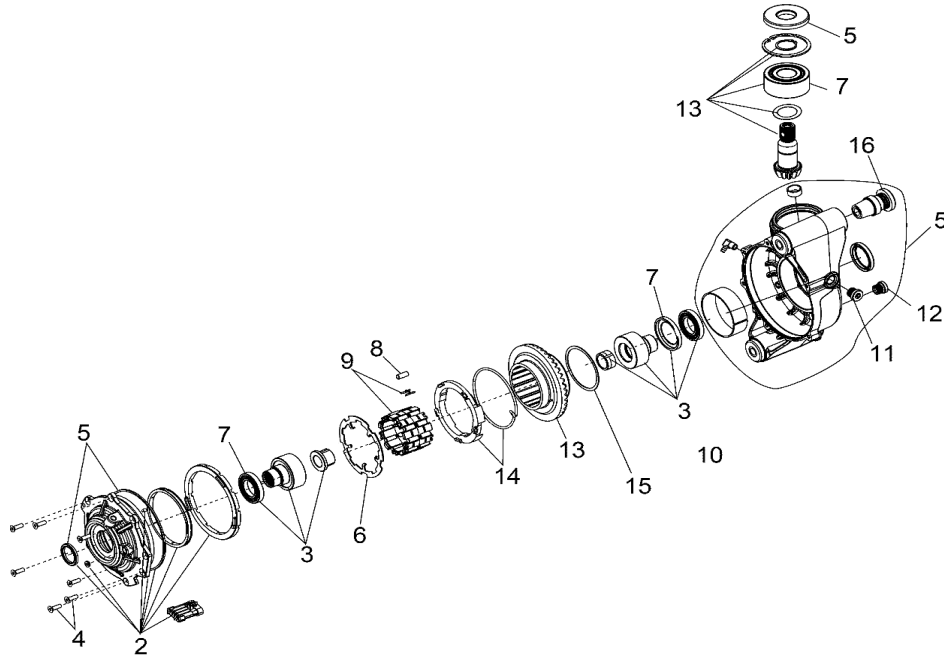
2022 RGR RANGER 1000 FULL SIZE EPS EU TRACTOR ZUG (R03) - R22TAE99FA/SFA/SCA/SCK



POS	SAP	Part Name	Qty
1	1047376	ASM-DRVN,STATIONARY,P190X MU [INCL. 3,5,6,15]	1
2	1047377	ASM-DRIVEN,MOVEABLE,P190X,CS [INCL. 2,7-11]	1
2	1047378	ASM-MOVABLE SHEAVE,P190X,CS [INCL. 4]	1
3	1014621	E-CLIP,M6 Substituted by 7710492	3
4	1047379	BEARING-DU,25X15	1
5	1047380	ROLLER-8X22X11.25,TORLON	3
6	1047381	WSHR-8.4X14 .0X1.6	3
7	1047382	ASM-HELIX,P190X,36-48/67BA	1
8	1038670	BEARING-MU,32X36X20	1
9	1047383	CUP-DRIVEN SPRING,P190X	1
10	1014022	SPRING,DRIVEN	1
11	1037873	SCR-TXFLBH-M10X1.25X40 10.9SPC	3
12	1047384	SCR-M8X1.25X65-HX/FL-Y,CL 10.9	1
13	1047385	WSHR-8.4X30. 0X2.0 ZPB	1
14	1014537	SHIM-RING,23.25X32.25X0.5	7
14	1047386	SHIM-RING,23.25X32.25X2.28	1
15	1028621	PIN-DRIVEN,ROLLER,8MM	3
16	1047387	BELT-DRIVE	1

# DRIVE TRAIN, FRONT GEARCASE

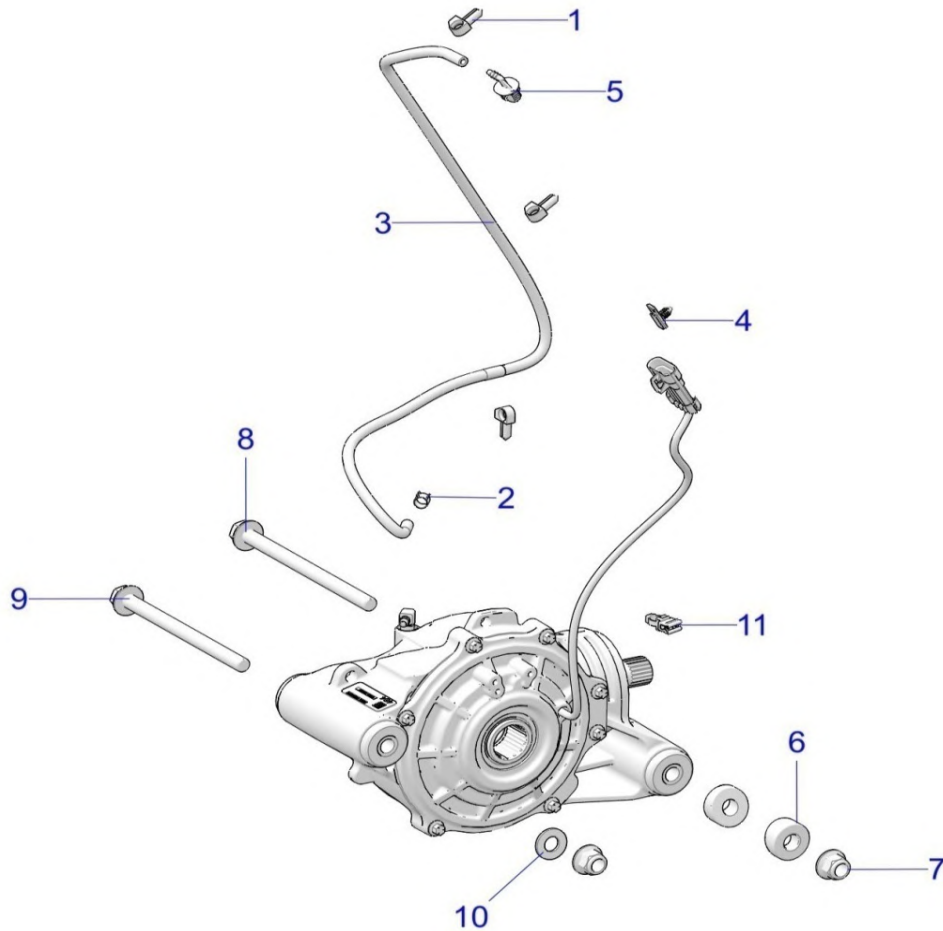
2022 RGR RANGER 1000 FULL SIZE EPS EU TRACTOR ZUG (R03) - R22TAE99FA/SFA/SCA/SCK



POS	SAP	Part Name	Qty
1	<a href="#">1047388</a>	ASM-GRCASE,FRT,ISO,3.23,ZN	1
2	<a href="#">1047389</a>	ASM-COVER OUTPUT	1
3	<a href="#">1047390</a>	ASM-OUTPUT HUB,ZINC	1
4	<a href="#">1039461</a>	KIT, COVER FASTENERS	1
5	<a href="#">1047391</a>	KIT SEAL REPAIR	1
6	<a href="#">1039476</a>	PLATE, ARMATURE, 4WD	1
7	<a href="#">1039481</a>	Bearing, Pinion	1
8	<a href="#">1045886</a>	KIT, CLUTCH, ROLLERS [INCL. FULL ROLLER SET OF 24]	1
9	<a href="#">1045885</a>	ASSY, ROLL CAGE, ZINC CAGE AND CLIPS [INCL. ROLL CAGE AND 24 H-CLIPS]	1
10	<a href="#">1047392</a>	ASM., GEARCASE	1
11	<a href="#">1005147</a>	KIT, PLUG, DRAIN	1
12	<a href="#">1005148</a>	KIT, PLUG, FILL	1
13	<a href="#">1047393</a>	KIT-GEAR HOUSING & PINION GEAR ASSSY	1
14	<a href="#">1045883</a>	KIT, TORSION SPRING AND RETAINER	1
15	<a href="#">1039439</a>	Spacer, Ring, Gear	1
16	<a href="#">1047394</a>	KIT-ISOLATOR	1

# DRIVE TRAIN, FRONT GEARCASE MOUNTING

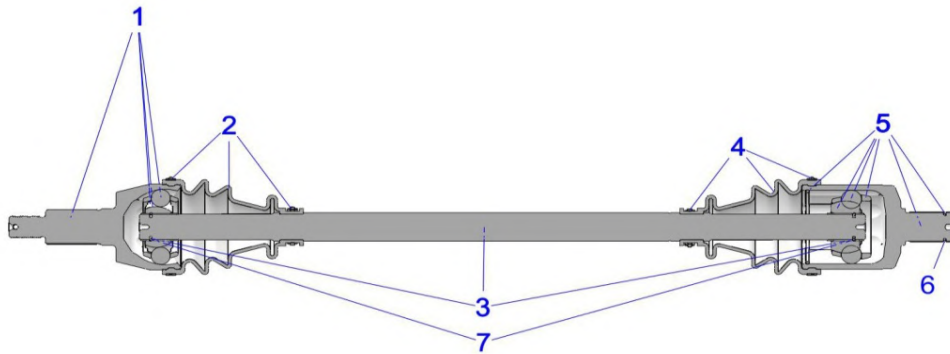
2022 RGR RANGER 1000 FULL SIZE EPS EU TRACTOR ZUG (R03) - R22TAE99FA/SFA/SCA/SCK



POS	SAP	Part Name	Qty
1	1039816	CLIP-SILENCER BOX-C,98 INDY	3
2	1039613	Clamp, Hose, Large, Green	1
3	1046793	LINE-BOOST,3/16 ID,76CM	1
4	1046673	CLIP-CONNECTOR, 6.35 MM HOLE	1
5	1045149	FITTING-VENT LINE,90	1
6	1047395	ANCHOR-WEDGE LOCK	2
7	1014501	NUT-M12X1.5, FLG, NYLOC-OLIVE D	2
8	1047396	SCR-HXFL-M12X1.5X170X40 10.9 Z	1
9	1047396	SCR-HXFL-M12X1.5X170X40 10.9 Z	1
10	1047397	WASHER-FLAT, .531X1.063X.095-Y	1
11	1039635	STRAP - CABLE TIE W/ EDGE CLIP	1

## DRIVE TRAIN, FRONT HALF SHAFT

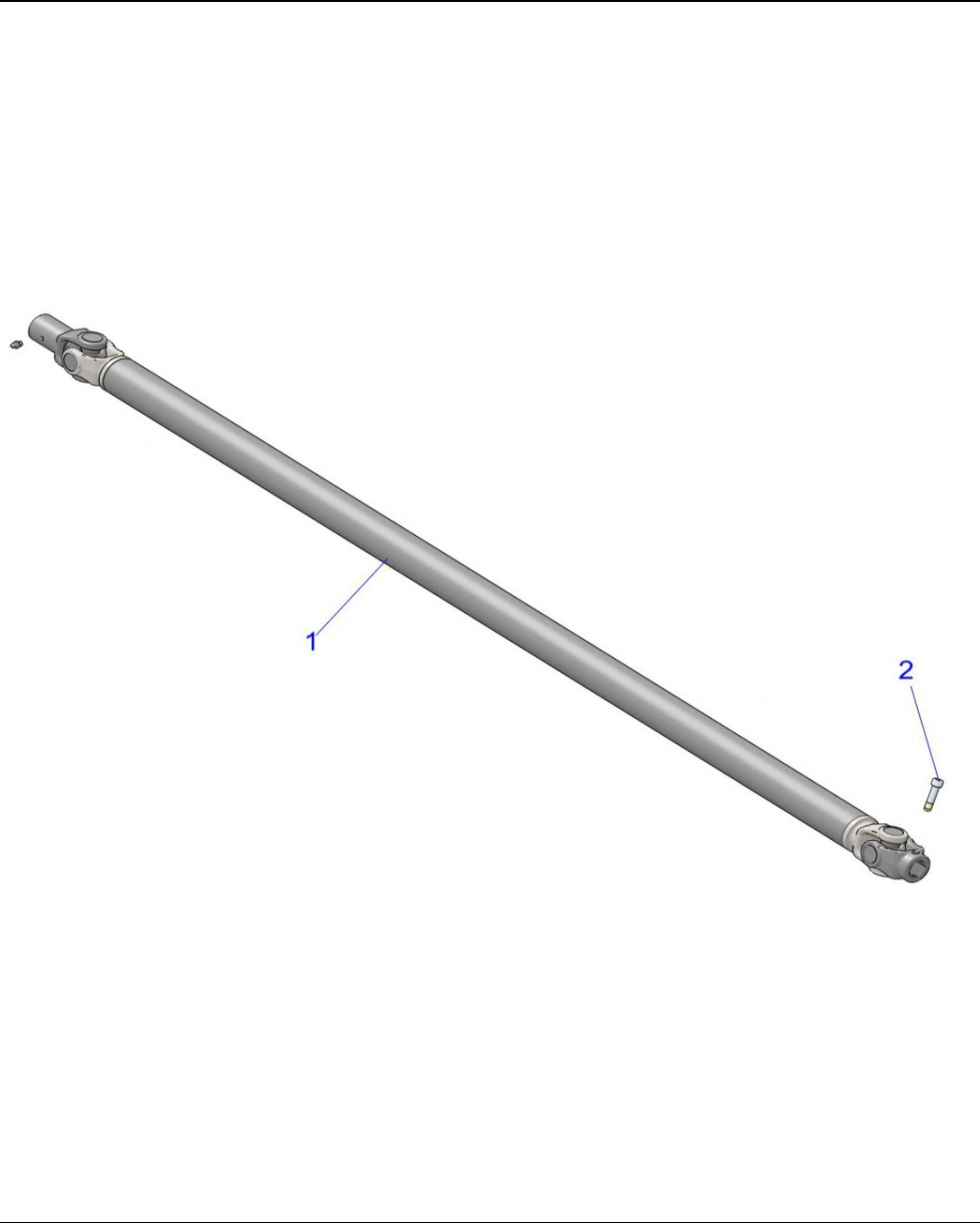
2022 RGR RANGER 1000 FULL SIZE EPS EU TRACTOR ZUG (R03) - R22TAE99FA/SFA/SCA/SCK



POS	SAP	Part Name	Qty
1	<a href="#">1047398</a>	OUTER JOINT	1
2	<a href="#">1047399</a>	OUTER BOOT KIT [INCL. GREASE]	1
3	<a href="#">1047400</a>	BAR	1
4	<a href="#">1047401</a>	BOOT, KIT- INNER	1
5	<a href="#">1047402</a>	INNER JOINT [INCL. GREASE]	1
6	<a href="#">1047403</a>	SNAP RING	1
7	<a href="#">1047404</a>	CIRCLIP	1

# DRIVE TRAIN, FRONT PROP SHAFT

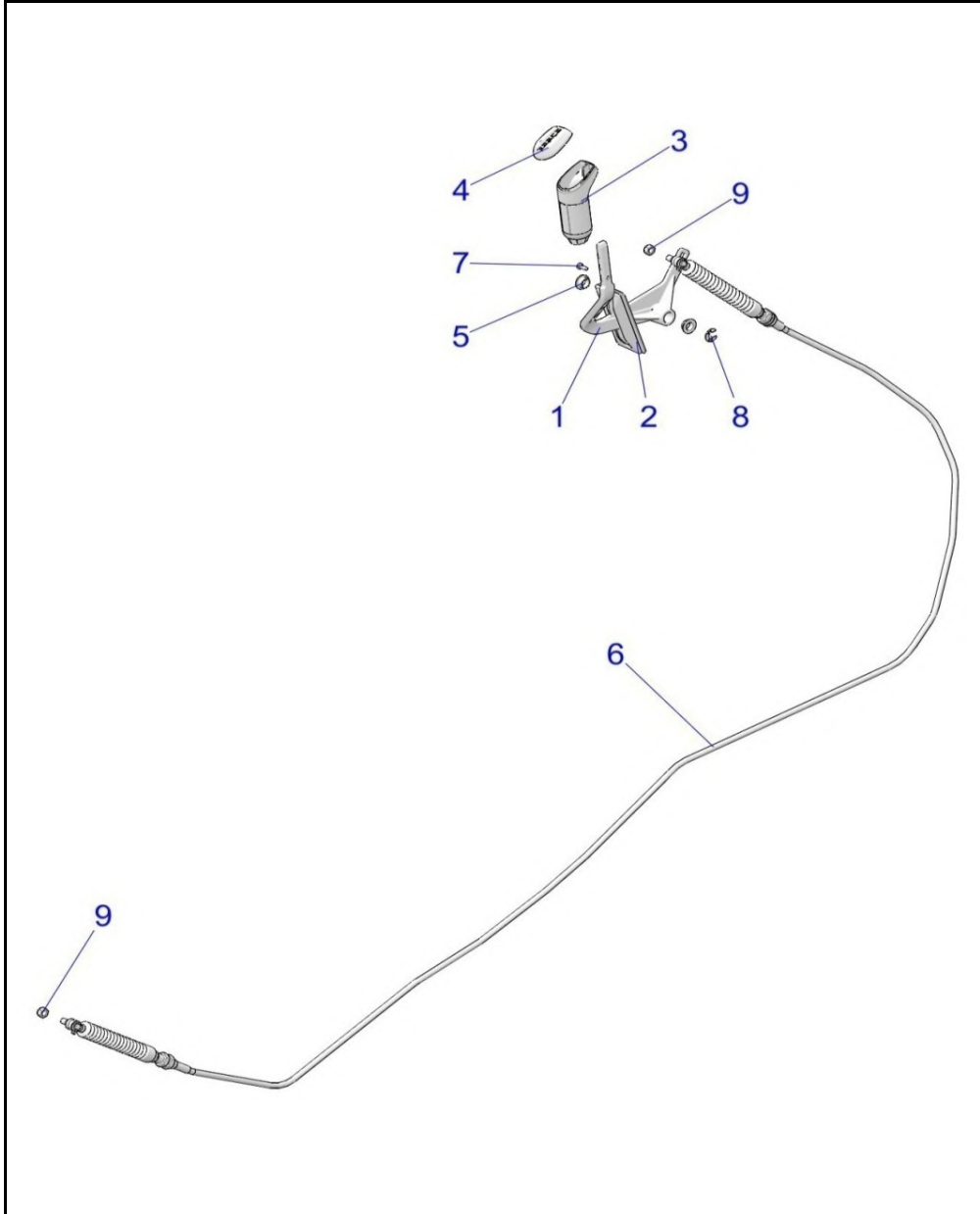
2022 RGR RANGER 1000 FULL SIZE EPS EU TRACTOR ZUG (R03) - R22TAE99FA/SFA/SCA/SCK



POS	SAP	Part Name	Qty
1	1047405	PROPSHAFT,U,RGR	1
2	1047406	SCREW-SH-M8X1.25X35 8.8 ZPC NYL	1

# DRIVE TRAIN, GEAR SELECTOR

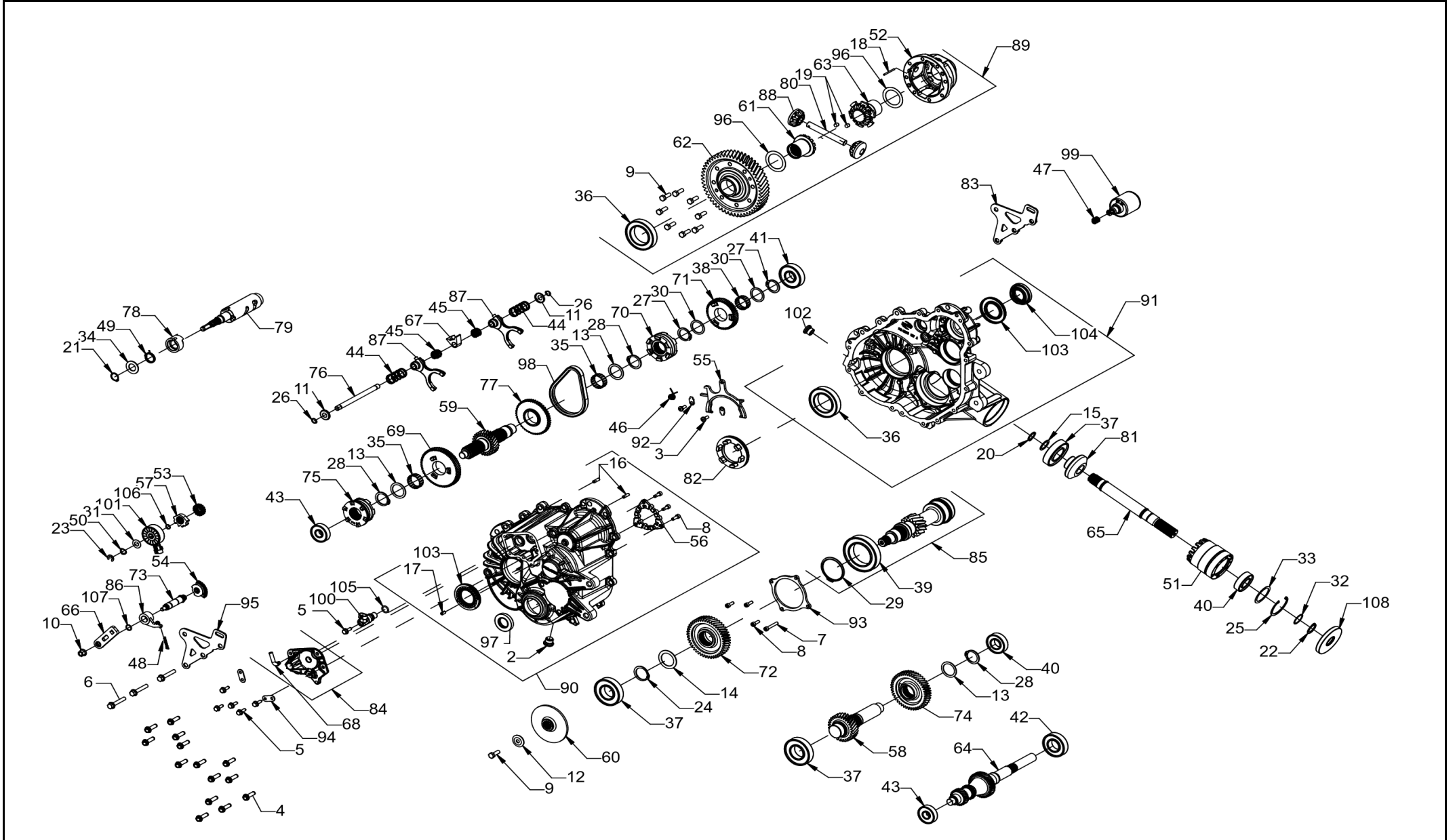
2022 RGR RANGER 1000 FULL SIZE EPS EU TRACTOR ZUG (R03) - R22TAE99FA/SFA/SCA/SCK



POS	SAP	Part Name	Qty
1	1039159	SHIFT-LEVER, CAST, M. BLK	1
2	1046800	GROMMET-SHIFTER	1
3	1039161	KNOB-SHIFTER,BLK	1
4	1039160	COVER-SHIFTER KNOB, BLK	1
5	1039567	BUSHING, PEDAL, PIVOT	2
6	1014086	CABLE-SHIFTER	1
7	1039654	SCR-#10-24X1/2PH/TORX-TRIRD-Y	1
8	1039821	RING-RETAINING, "E",EXT., .500	2
9	1039779	NUT,NYLOCK M8X1.25(10)	2

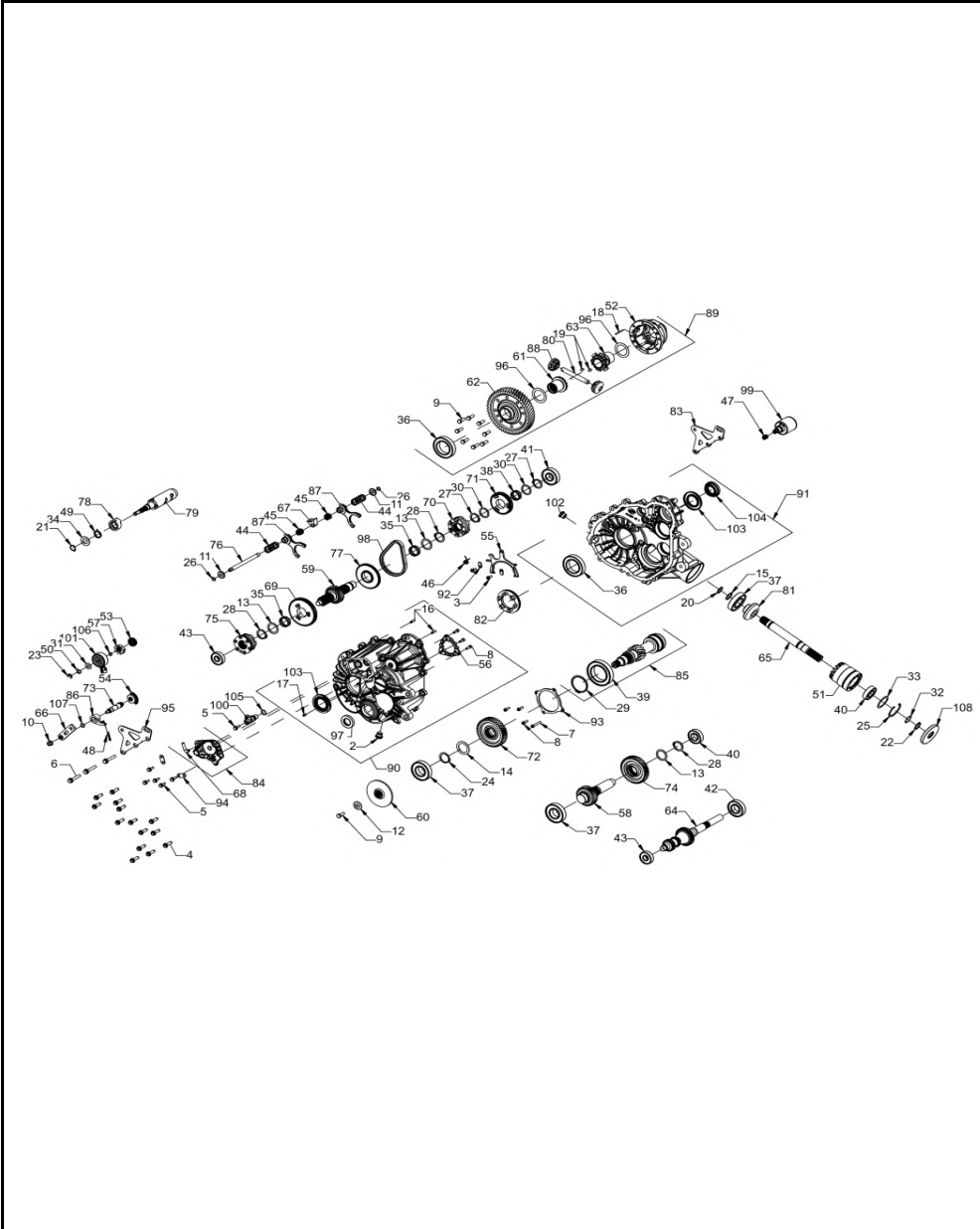
# DRIVE TRAIN, MAIN GEARCASE INTERNALS

2022 RGR RANGER 1000 FULL SIZE EPS EU TRACTOR ZUG (R03) - R22TAE99FA/SFA/SCA/SCK



# DRIVE TRAIN, MAIN GEARCASE INTERNALS

2022 RGR RANGER 1000 FULL SIZE EPS EU TRACTOR ZUG (R03) - R22TAE99FA/SFA/SCA/SCK

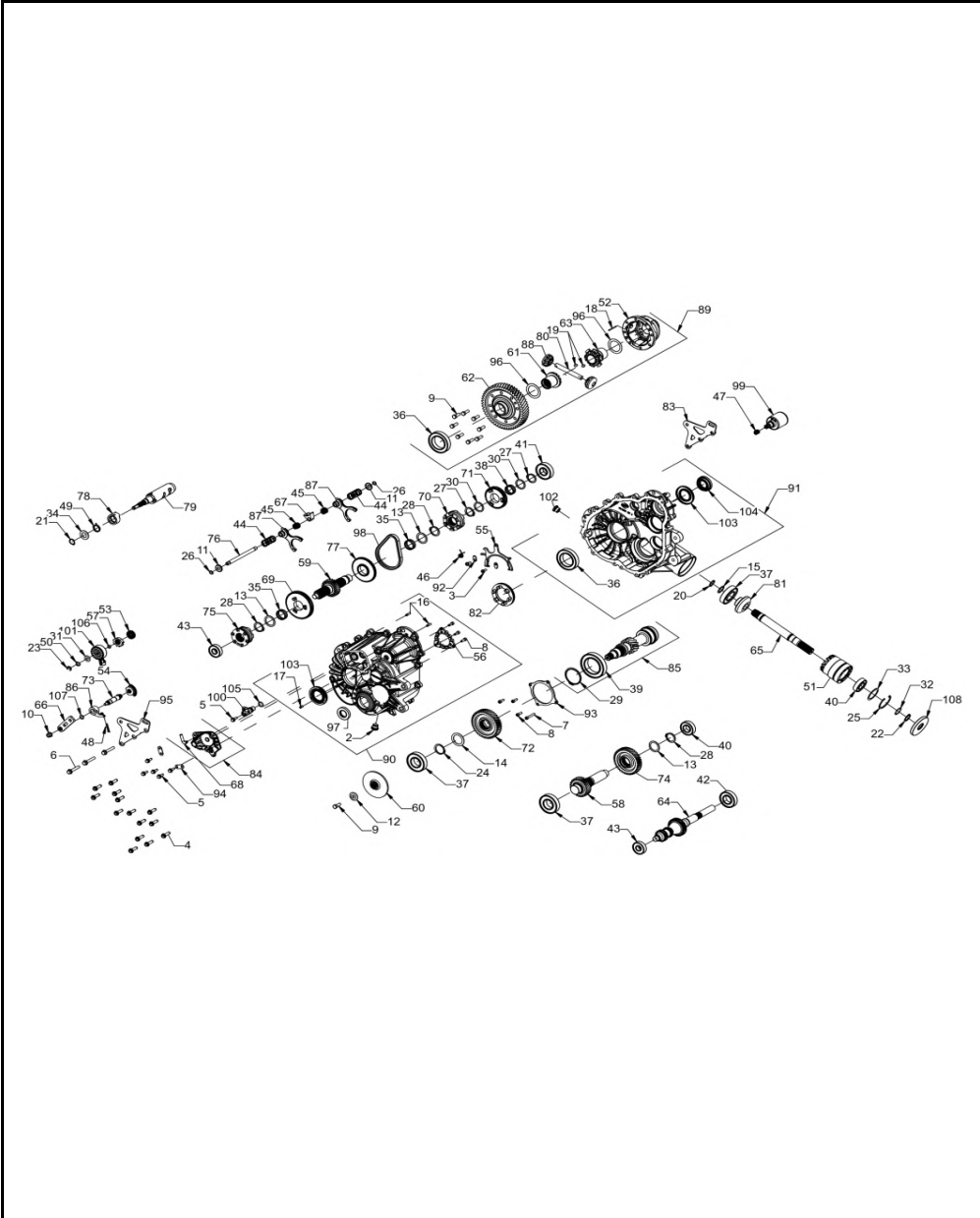


POS	SAP	Part Name	Qty
1	1047407	ASM. GEARCASE [INCL. ALL]	1
2	1007449	PLUG, SOCKET HEAD W/MAGNET	1
3	1040304	SCREW, 6-LOBE, PAN HD M6 X 1 X 16	2
4	1039441	SCREW, HEX FLANGE HEAD, M8 X 1.25 X 30	14
5	1039443	SCREW, HEX FLANGE HEAD, M6 X 1 X 20	6
6	1039444	SCREW, HEX FLANGE M8 X 50	3
7	1039445	SCREW, SOCKET HEAD, CAP, M6 X 1.0 X 40	1
8	1039458	SCREW, SOCKET HEAD, CAP, M6 X 1.0 X 18	6
9	1045656	SCREW, CAP HH M8 X 1.25 X 25	9
10	1039446	NUT, LOCK HEX FLANGE, NYLON M8 X 1.25	1
11	1039308	WASHER, CUP	2
12	1040307	WASHER, BELLEVILLE 42140 X 1.25 X 0.09	1
13	1039447	WASHER-32.3X42X1.5(115288)	3
14	1007454	WASHER-35.6X57X1.5(115289)	1
15	1045163	WASHER, 22.5 X 30 X 1.5	1
16	1039438	PIN, DOWEL, 6 X 20	2
17	1039604	PIN, SPRING, SLOTTED 6 X 12	1
18	1045657	PIN, DOWEL 3 X 40	1
19	1045658	PIN, DOWEL 8 X 10	2
20	1045164	RING, RETAINING BASIC EXTERNAL	1
21	1039310	RING, RETAINING BASIC, EXTERNAL 0.75	1
22	1039421	RING, RETAINING BASIC, EXTERNAL 0.984	1
23	1039426	RING, RETAINING BASIC EXTERNAL	1
24	1007433	RING, RETAINING, SHAFT, DIA. 1.375	1
25	1039432	RING, RETAINING BASIC, INTERNAL 2.047	1
26	1039428	RING, RETAINING BASIC, EXTERNAL 0.428	2
27	1039430	RING, RETAINING,	2
28	1039451	RING, RETAINING BASIC, EXTERNAL MSR-32	3
29	1039311	RING-RETAIN,VSH-237(130298)	1
30	1039423	WASHER, THRUST, 1.187 X 1.500 X .0600	2



# DRIVE TRAIN, MAIN GEARCASE INTERNALS

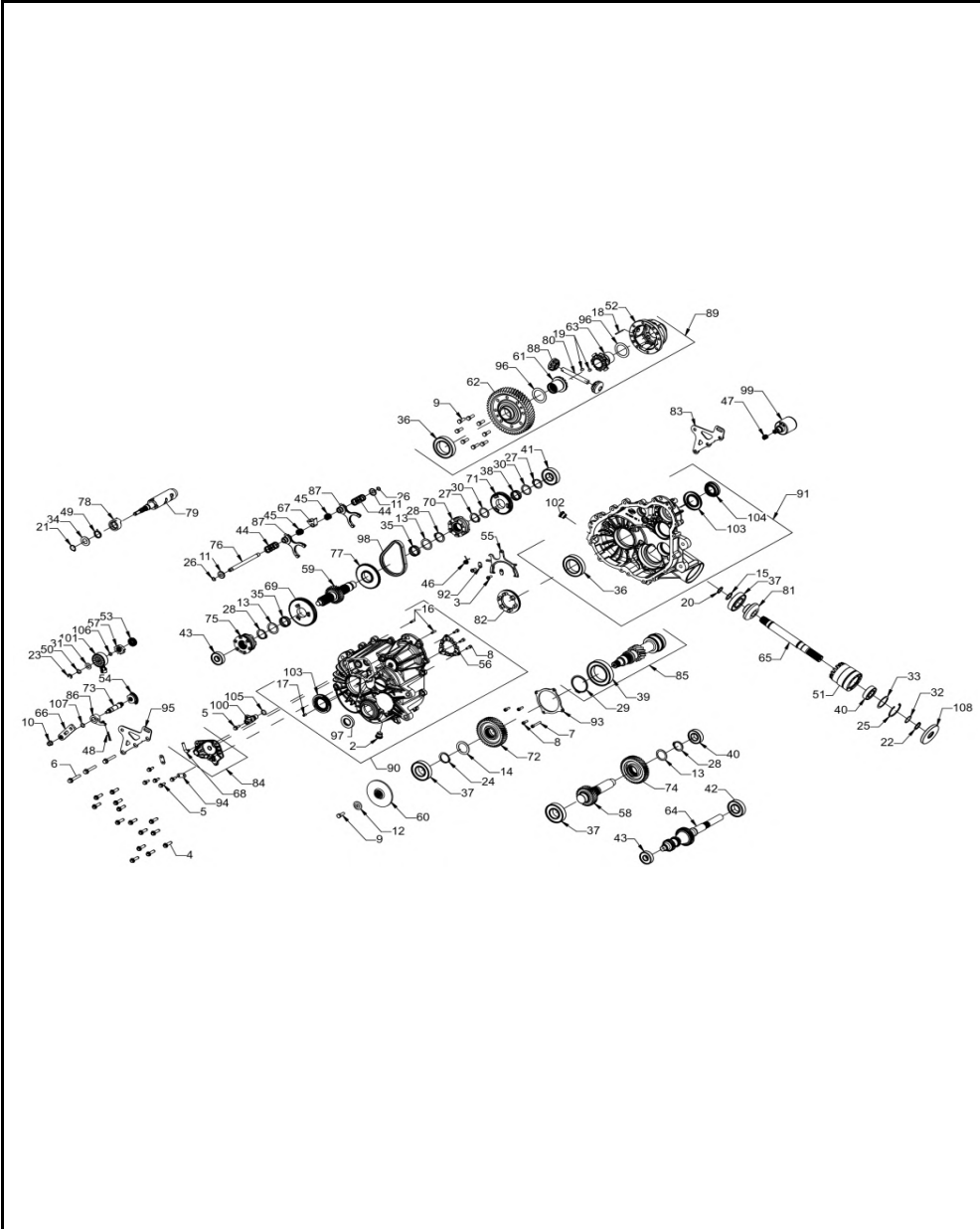
2022 RGR RANGER 1000 FULL SIZE EPS EU TRACTOR ZUG (R03) - R22TAE99FA/SFA/SCA/SCK



POS	SAP	Part Name	Qty
31	<a href="#">1039440</a>	WASHER, THRUST, 0.446 X 0.88 X 0.025	1
32	<a href="#">1039433</a>	SHIM, 1.180 OD X 0.995 ID	1
33	<a href="#">1039434</a>	SHIM, 2.040 OD X 1.63 ID	1
34	<a href="#">1039312</a>	SPACER, 19.4 X 34.0 X 2.0	1
35	<a href="#">1039419</a>	BEARING, NEEDLE, CAGE ASSY	2
36	<a href="#">1039314</a>	BEARING, BALL 6010 C3 50 X 80 X 10	2
37	<a href="#">1007437</a>	BEARING, BALL 6207 C3 35MMX72MMX17MM	3
38	<a href="#">1039424</a>	BEARING-NEEDLE,30X35X13-CAGED	1
39	<a href="#">1039309</a>	BEARING, BALL, 6012 C3 60 X 95 X 18	1
40	<a href="#">1046805</a>	BEARING, BALL, 6205R SH2 C3 25X52X15	2
41	<a href="#">1046806</a>	BEARING, BALL 6305RSH2 C3 25MMX62MMX17MM	1
42	<a href="#">1007460</a>	BEARING, BALL 6206RSH2 STD 30 X 62 X 16	1
43	<a href="#">1046807</a>	BEARING, BALL 6303RSH2 17 X 47 X 14	2
44	<a href="#">1039291</a>	SPRING, COMPRESSION, .92 O.D. X 2.000	2
45	<a href="#">1039292</a>	SPRING, COMPRESSION, 0.46 I.D. X 0.73	2
46	<a href="#">1040313</a>	SPRING, TORSION, RETURN	1
47	<a href="#">1040314</a>	SPRING, COMPRESSION 0.54 O.D. X 0.44 I.D. X 0.05 WIRE	1
48	<a href="#">1007444</a>	SPRING, COMPRESSION 0.36 O.D. X 1.125	1
49	<a href="#">1039293</a>	SPRING, TORSION	1
50	<a href="#">1039456</a>	WASHER-SPRING,210393	1
51	<a href="#">1039435</a>	TUBE, SNORKEL MACHINED	1
52	<a href="#">1045659</a>	CARRIER, DIFFERENTIAL MACH	1
53	<a href="#">1039294</a>	GEAR, SECTOR, 16T	1
54	<a href="#">1039295</a>	SWITCH, ROTARY, 6 PIN	1
55	<a href="#">1040315</a>	FORK, PIVOT SHIFT, REAR DIFF	1
56	<a href="#">1039296</a>	PLATE, PARK, 12 FACE	1
57	<a href="#">1039297</a>	STAR, DETENT,	1
58	<a href="#">1007455</a>	SHAFT-IDLER,29T(285803)	1
59	<a href="#">1039298</a>	SHAFT-REVERSE,27T(285878)	1
60	<a href="#">1040317</a>	DISC, BRAKE	1

# DRIVE TRAIN, MAIN GEARCASE INTERNALS

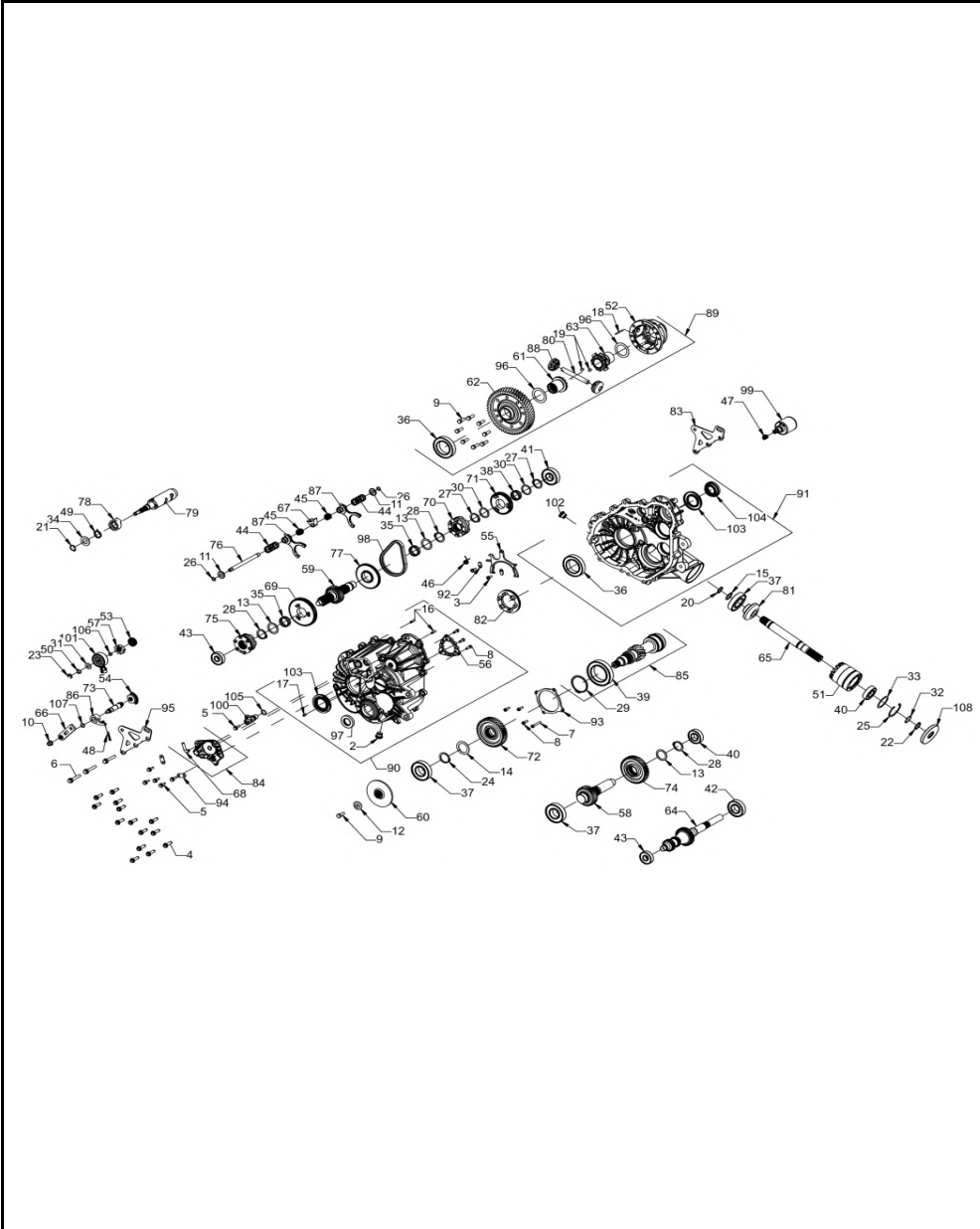
2022 RGR RANGER 1000 FULL SIZE EPS EU TRACTOR ZUG (R03) - R22TAE99FA/SFA/SCA/SCK



POS	SAP	Part Name	Qty
61	1045660	GEAR, 14T OUTPUT, MACH	1
62	1045661	GEAR, 53T OUTPUT	1
63	1045662	GEAR, 14T OUTPUT DISCONNECT, MACH	1
64	1047408	SHAFT, INPUT, HELICAL	1
65	1047409	SHAFT, FRONT OUTPUT	1
66	1047410	SWITCH, ROTARY 2 PIN RESISTIVE	1
67	1039300	COLLAR, SHIFT,	1
68	1039431	TUBE, VENT 90 -1/4 INCH HOSE	1
69	1046816	GEAR-LOW,67T(352856)	1
70	1039301	ENGAGEMENT DOG,6-FACE(352857)	1
71	1039302	GEAR-53T(352858)	1
72	1007456	GEAR-46T,STAGE 3(352872)	1
73	1039455	WELDMENT, REAR MOUNT BRACKET	1
74	1039040	GEAR, 46T, STAGE 2	1
75	1039303	SHIFT DOG, PARK/LOW (353357)	1
76	1039304	RAIL-SHIFT SHAFT(353622)	1
77	1007463	SPROCKET-48T,6-FACE REVERSE	1
78	1039471	CAM, PARK	1
79	1039472	DRUM, SHIFT MACH,	1
80	1045663	PIN, DIFFERENTIAL	1
81	1045166	GEAR, 13T SNORKEL	1
82	1045664	DOG, ENGAGEMENT	1
83	1040322	WELDMENT REAR MOUNT BRACKET63	1
84	1039468	SUBASSEMBLY, SECTOR COVER	1
85	1040329	SUBASM., PINION, 11T	1
86	1007457	SUBASSEMBLY, PAWL, DETENT, ROLLER	1
87	1039307	SUBASSEMBLY, SHIFT FORK	2
88	1045665	SUBASSEMBLY, PINION GEAR	2
89	1045666	SUBASSEMBLY, DIFFERENTIAL	1
90	1045667	SUBASSEMBLY, RH COVER	1

# DRIVE TRAIN, MAIN GEARCASE INTERNALS

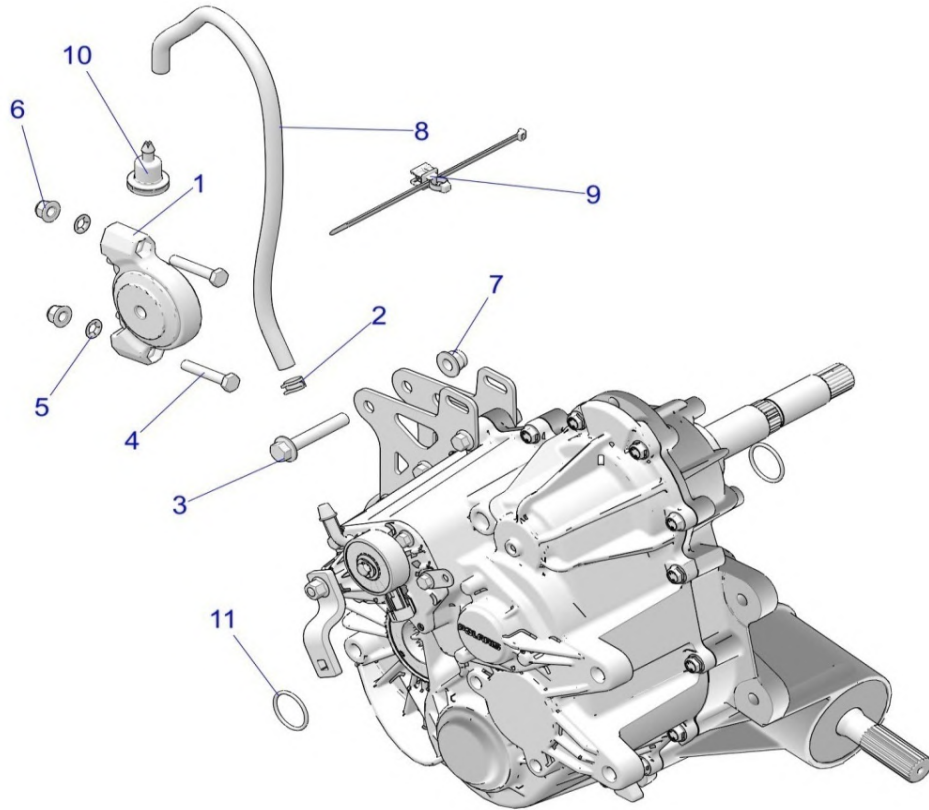
2022 RGR RANGER 1000 FULL SIZE EPS EU TRACTOR ZUG (R03) - R22TAE99FA/SFA/SCA/SCK



POS	SAP	Part Name	Qty
91	<a href="#">1045668</a>	SUBASSEMBLY, LH CASE	1
92	<a href="#">1040332</a>	CROEVTAEIRNER, FORK	2
93	<a href="#">1039317</a>	COVER-BEARING,CNTR DR.	1
94	<a href="#">1039459</a>	BRACKET, WIRE HARNESS	2
95	<a href="#">1040333</a>	BRACKET, MOUNT, REAR	1
96	<a href="#">1045670</a>	WASHER, THRUST, 40.83 X 56.25 X 0.38	2
97	<a href="#">1007451</a>	SEAL, TRIPLE LIP, 0.984 X 1.85 X 0.315 VITON	1
98	<a href="#">1007447</a>	CHAIN, SILENT, TYPE 101, .25P X .40W X 58L	1
99	<a href="#">1007458</a>	SOLENOID	1
100	<a href="#">1028617</a>	Sensor, Speed, Trans.	1
101	<a href="#">1039315</a>	SWITCH, ROTARY , 2 PIN RESISTIVE	1
102	<a href="#">1034629</a>	PLUG, SOCKET HEAD	1
103	<a href="#">1007453</a>	SEAL, TRIPLE LIP, VITON HELIX 40X70X7	2
104	<a href="#">1007459</a>	SEAL, TRIPLE LIP, VITON HELIX 30 X 47	1
105	<a href="#">1039436</a>	O-RING	1
106	<a href="#">1039316</a>	O-RING, -012 VITON	1
107	<a href="#">1039425</a>	O-RING, -014 VITON	1
108	<a href="#">1007438</a>	SEAL, TRIPLE LIP VITON 25 X 80 X 10	1

## DRIVE TRAIN, MAIN GEARCASE MOUNTING

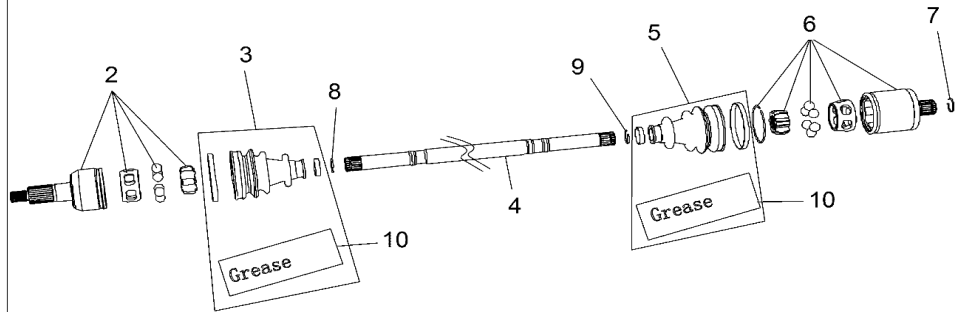
2022 RGR RANGER 1000 FULL SIZE EPS EU TRACTOR ZUG (R03) - R22TAE99FA/SFA/SCA/SCK



POS	SAP	Part Name	Qty
1	-----	MOUNT, ISOLATOR, DRIVELINE	1
2	<a href="#">1039630</a>	CLAMP-HOSE, (LARGE GREEN)	1
3	<a href="#">1039694</a>	SCR-HXFL-M10X1.25X60 8.8 ZOD	1
4	<a href="#">1039723</a>	SCREW-HH M8X1.25X45 8.8 ZOD	2
5	<a href="#">1039776</a>	NUT-5/16-PAL-Y	2
6	<a href="#">1014499</a>	NUT- M8X1.25, FLG, NYLOC-OLIVE D	2
7	<a href="#">1014500</a>	NUT-M10X1.25, FLG, NYLOC-OLIVE D	1
8	<a href="#">1047411</a>	FUEL LINE-35 CENTIMETERS	1
9	<a href="#">1047412</a>	STRAP, CABLE TIE W/ EDGE CLIP 3-6MM	3
10	<a href="#">1047413</a>	VENT-GEARCASE,8MM	1
11	<a href="#">1045674</a>	O-RING,28.24X2.62,VITON,60A	2

# DRIVE TRAIN, REAR DRIVE SHAFT

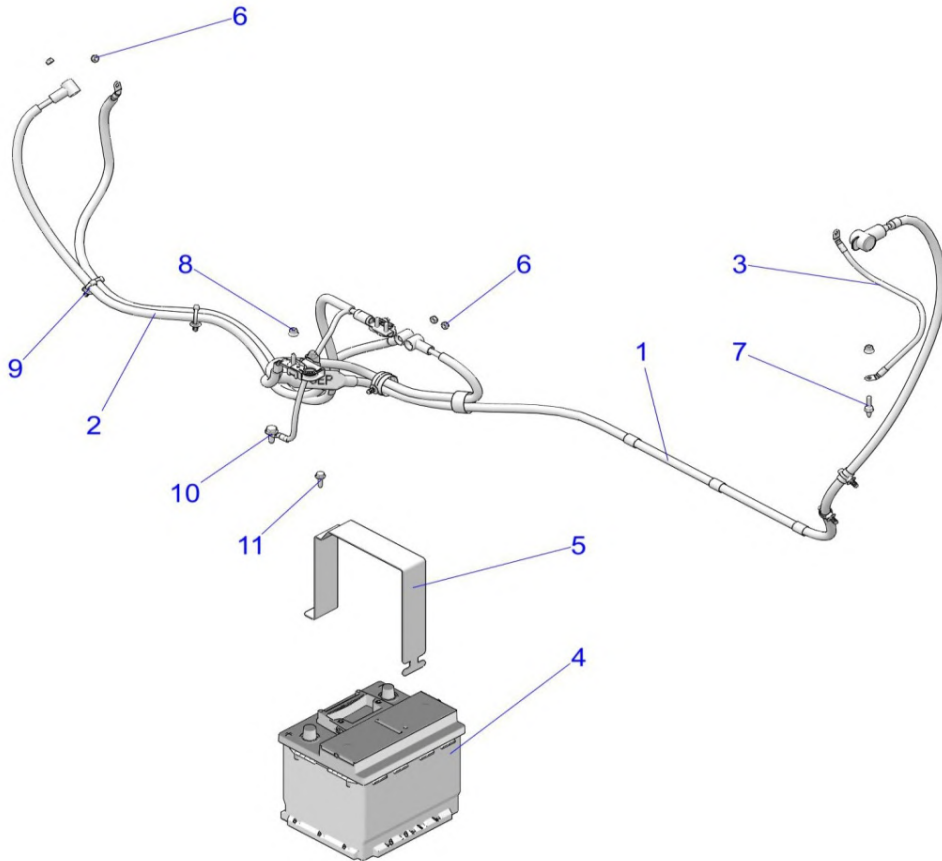
2022 RGR RANGER 1000 FULL SIZE EPS EU TRACTOR ZUG (R03) - R22TAE99FA/SFA/SCA/SCK



POS	SAP	Part Name	Qty
1	<a href="#">1028612</a>	ASM-HALFSHAFT, REAR [INCL. 2-10]	2
2	<a href="#">1039229</a>	K-CV OUTER JOINT [INCL. CIRCLIPS]	1
3	<a href="#">1045912</a>	KIT-BOOT(PR-8071)	1
4	<a href="#">1039231</a>	BAR	1
5	<a href="#">1045682</a>	K - BOOT, INNER	1
6	<a href="#">1039230</a>	JOINT, INNER	1
7	<a href="#">1040341</a>	CIRCLIP-2.0X31.6,PR-2085	1
8	<a href="#">1005176</a>	CIRCLIP (PR-3201)	1
9	<a href="#">1040340</a>	CIRCLIP(PR-3041)	1
10	<a href="#">1040346</a>	GREASE(K575/VW738)	2

# ELECTRICAL, BATTERY

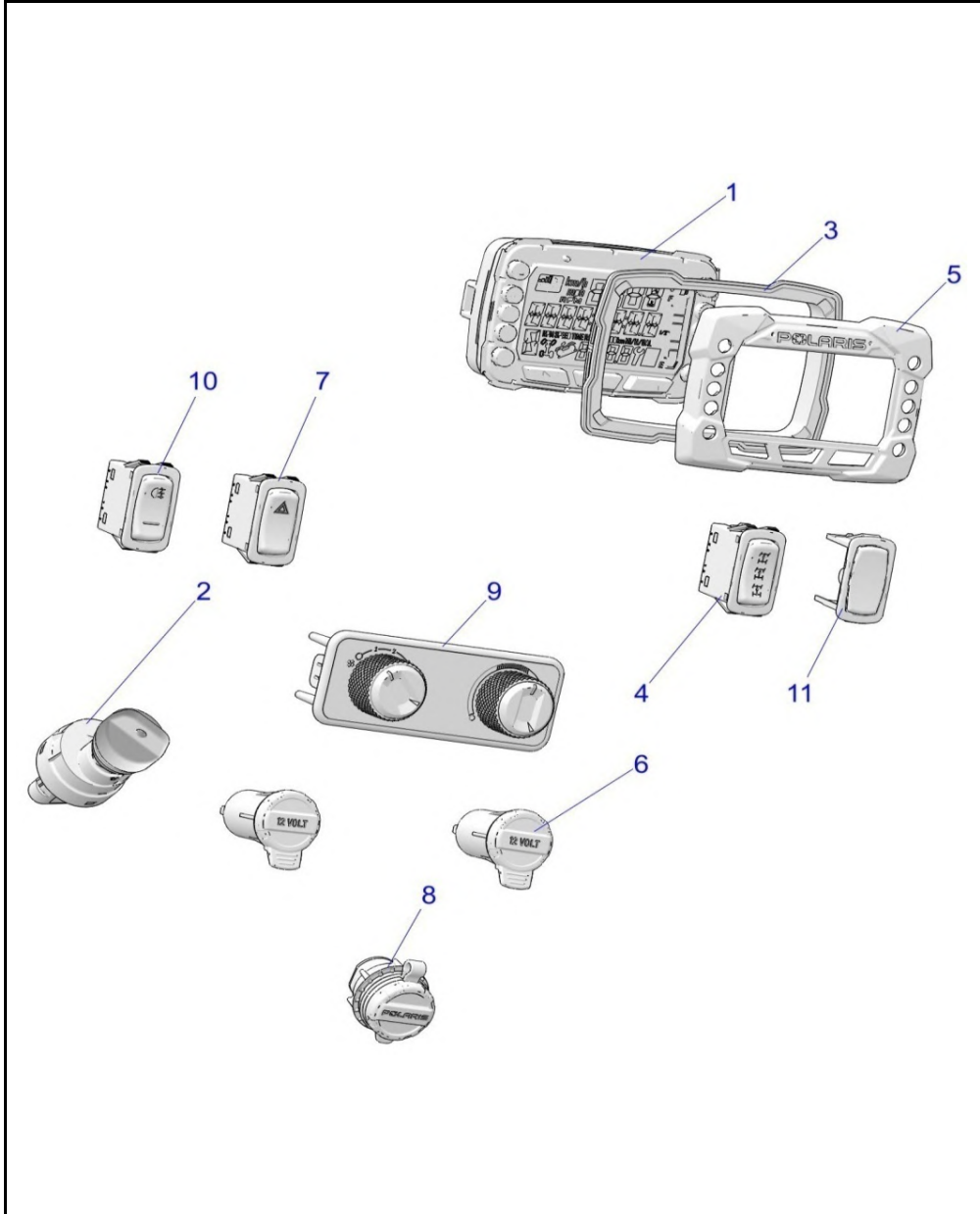
2022 RGR RANGER 1000 FULL SIZE EPS EU TRACTOR ZUG (R03) - R22TAE99FA/SFA/SCA/SCK



POS	SAP	Part Name	Qty
1	1047414	CABLE-BATTERY TO SOLENOID,FS	1
2	1047415	CABLE-START TO SOLENOID	1
3	1046857	CABLE-GROUND,ENG,BAT,CHAS	1
4	1030660	BATTERY-530 CCA,FLOODED,EUROPE	1
5	1046858	BRACKET, STRAP, BATTERY,VARTA,BLK	1
6	1039773	NUT-6MM X 1 NYLOK-Z	4
7	1039752	STUD-M6X1.0X19-M6 TAPTITE	1
8	1039782	NUT, M6 FLANGE, NYLOC	2
9	1014065	CLIP-ROUTING	2
10	1046859	SCR-HXFL-M8X1.25X20 TAP ZY3	1
11	1039683	SCR-M6X1.0X20, HXHD, FLG, TDFM, BK	3

# ELECTRICAL, DASH INSTRUMENTS

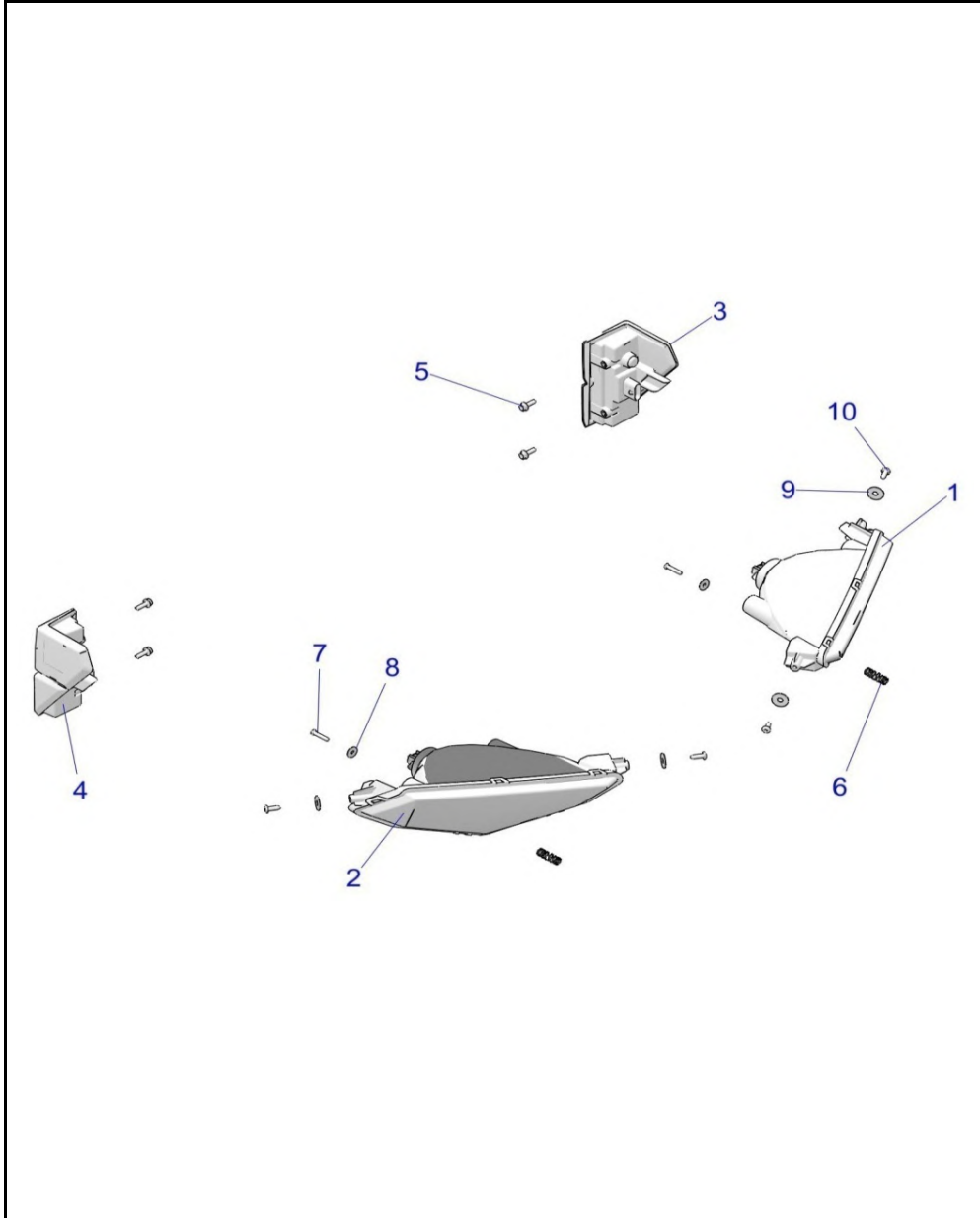
2022 RGR RANGER 1000 FULL SIZE EPS EU TRACTOR ZUG (R03) - R22TAE99FA/SFA/SCA/SCK



POS	SAP	Part Name	Qty
1	<a href="#">1047416</a>	ASM-CLSR,B1,256K,ATV/SXS,INT	1
2	<a href="#">1045698</a>	SWITCH-KEY,4 POS,ATV,SEALED [TO 5/1/22]	1
2	<a href="#">1047417</a>	SWITCH-KEY,4 POS,ATV,SEALED [FROM 5/1/22]	1
3	<a href="#">1046869</a>	GASKET, DIGITAL GAUGE	1
4	<a href="#">1047418</a>	SWITCH-AWD	1
5	<a href="#">1047419</a>	BEZEL-GAUGE CPI B1	1
6	<a href="#">1047420</a>	RECEPTACLE-POD MNT,12 VOLT	2
7	<a href="#">1047421</a>	SWITCH-HAZARD,IP67 FRONT	1
8	<a href="#">1047422</a>	ASM-CHARGE PORT,BASE	1
9	<a href="#">1047423</a>	SWITCH-PANEL,HEATER,ZS [S99CK][TO 10/1/2021]	1
9	<a href="#">1047424</a>	SWITCH-PANEL,HEATER,ZS [S99CK][FROM 10/1/2021]	1
10	<a href="#">1047431</a>	SWITCH-FOG LIGHT REAR [S99FA][S99CK]	1
11	<a href="#">1047425</a>	SWITCH-PLUG,BLANK	3

# ELECTRICAL, HEADLIGHTS AND TAILLIGHTS

2022 RGR RANGER 1000 FULL SIZE EPS EU TRACTOR ZUG (R03) - R22TAE99FA/SFA/SCA/SCK

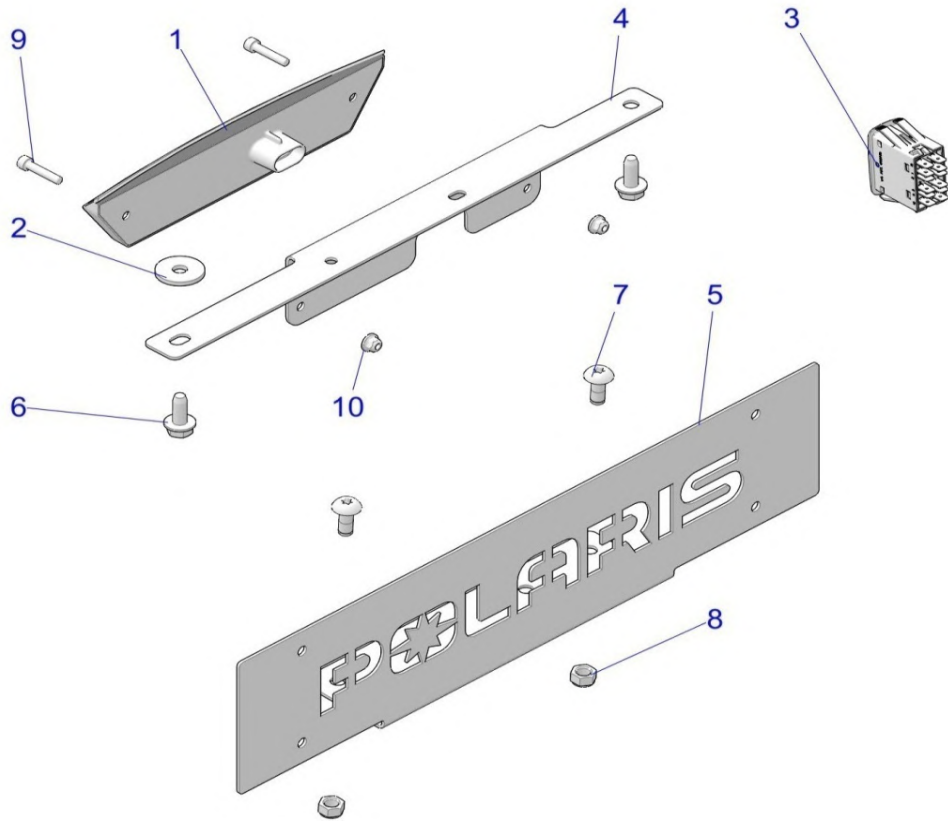


POS	SAP	Part Name	Qty
1	<a href="#">1047426</a>	ASM-HEADLIGHT ECE,RGR,LH	1
2	<a href="#">1047427</a>	ASM-HEADLIGHT ECE,RGR,RH	1
3	<a href="#">1005855</a>	ASM-TAILLIGHT,ECE,LH	1
4	<a href="#">1005856</a>	ASM-TAILLIGHT,ECE,RH	1
5	<a href="#">1039724</a>	SCR-HXFL-M6X1.0X20 8.8 RIE	4
6	<a href="#">1013999</a>	SPRING, HEADLIGHT	2
7	<a href="#">1014424</a>	SCR-10X1.12 TX PN PLS-Y	2
8	<a href="#">1045838</a>	WASHER-6.4X18.0X1.6 ZPB	2
9	<a href="#">1047428</a>	WASHER-M8 FW STL 2Y DIN 9021B	4
10	<a href="#">1045772</a>	SCR-TX TRUSS-#14X3/4, HI/LO ZBK	4



# ELECTRICAL, UPFIT, ZUG

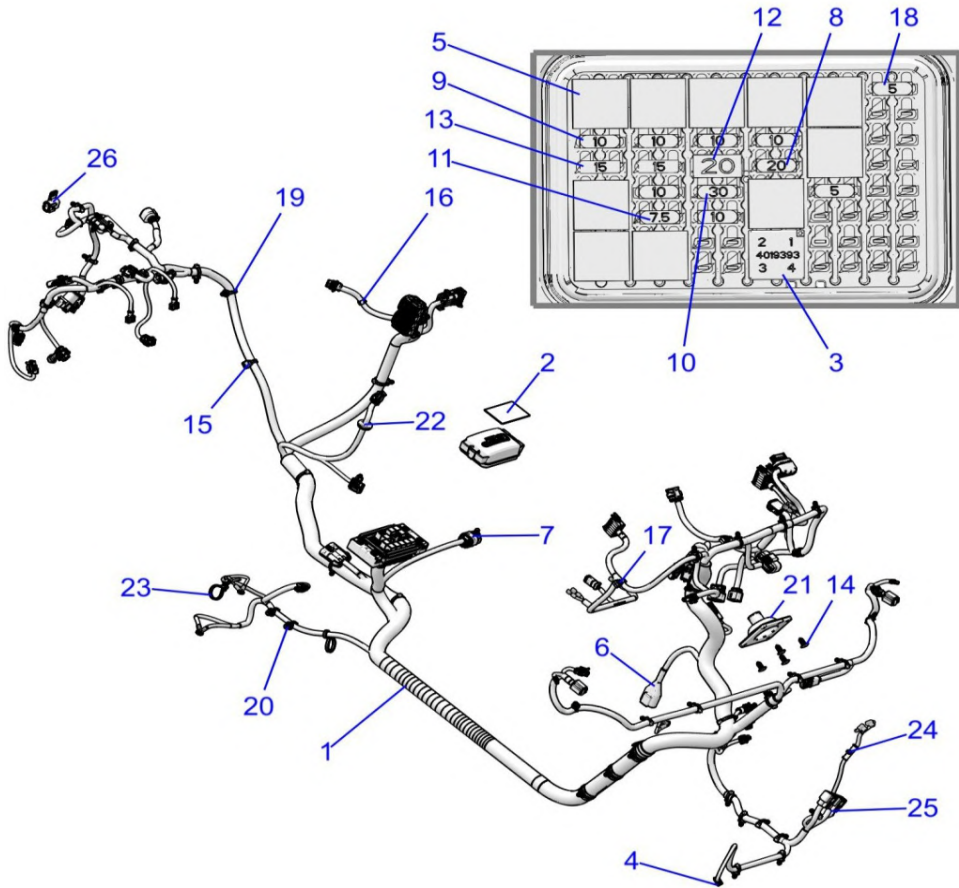
2022 RGR RANGER 1000 FULL SIZE EPS EU TRACTOR ZUG (R03) - R22TAE99FA/SFA/SCA/SCK



POS	SAP	Part Name	Qty
1	<a href="#">1047429</a>	FOG LIGHT,REAR,LED [SCK,SFA]	1
2	<a href="#">1047430</a>	Spring, Torsion Command Lever [SCK,SFA]	2
3	<a href="#">1047431</a>	SWITCH-FOG LIGHT REAR [SCK,SFA]	1
4	<a href="#">1047453</a>	BRKT-FOG LIGHT,LED,RGR,BLK [SCK,SFA]	1
5	<a href="#">1047432</a>	BRKT-LICENSE PL,FRONT,M.BLK	1
6	<a href="#">1045689</a>	SCR-HWH-M8X1.25X20 TAP/R ZPB [SCK,SFA]	2
7	<a href="#">1014473</a>	SCR-TXTH-M8X1.25X20 8.8 ZB3 P3	2
8	<a href="#">1014497</a>	NUT-HEX,M8X1.25,NYLOCK-SS	2
9	<a href="#">1047433</a>	SCREW-SH-M5X0.8X25 A2 SPC [SCK,SFA]	2
10	<a href="#">1045123</a>	NUT-M5X0.8 8.8 HX/FL NYLOC [SCK,SFA]	2

# ELECTRICAL, WIRE HARNESS

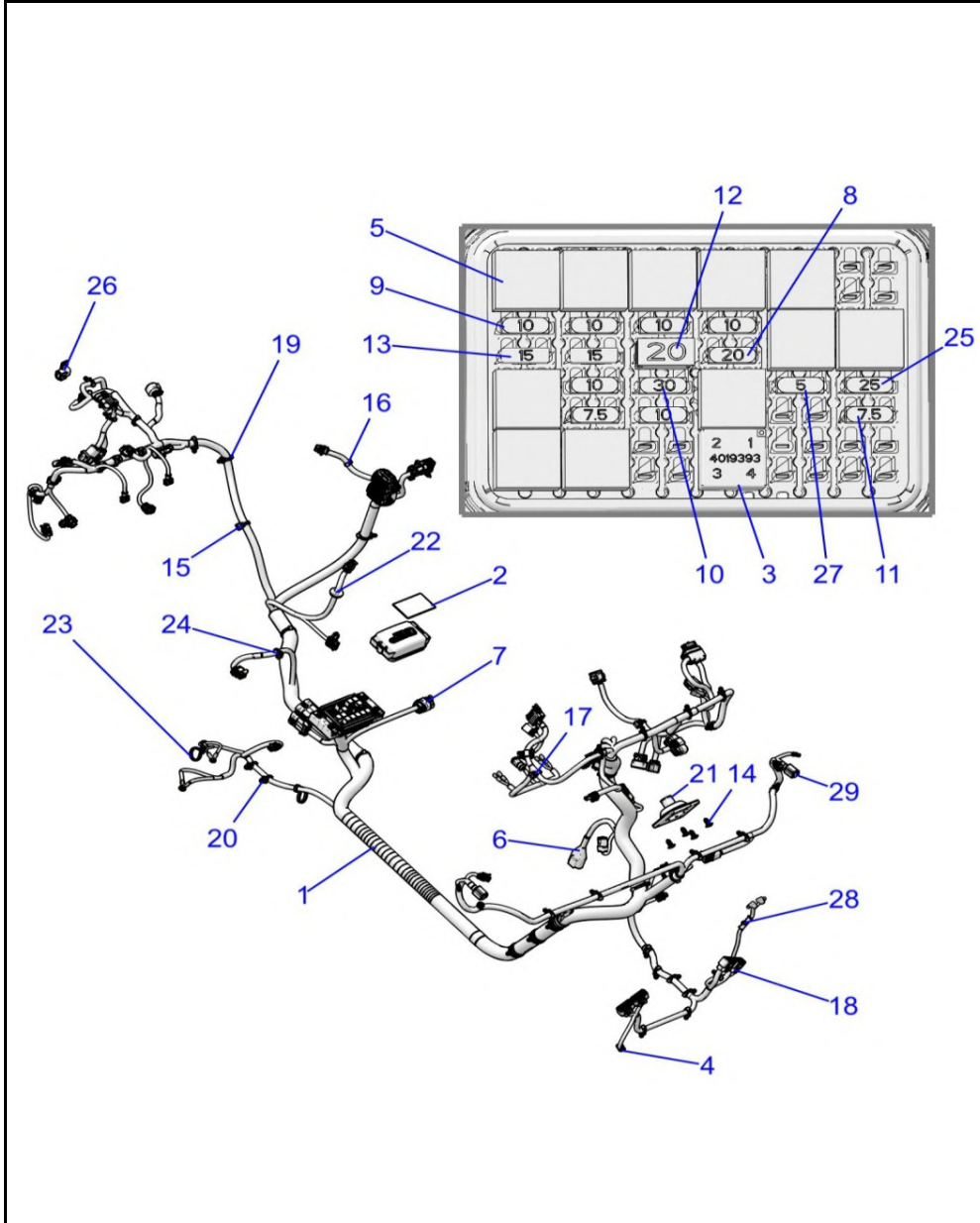
2022 RGR RANGER 1000 FULL SIZE EPS EU TRACTOR ZUG (R03) - R22TAE99FA/SFA/SCA/SCK



POS	SAP	Part Name	Qty
1	1047434	HARNESS-CHASSIS,FS,RGR,TRC [INCL. ALL]	1
2	1047435	LABEL-FUSE BOX,RGR,FS,TR	1
3	1047438	SSR-4PIN	1
4	1047439	CONNECTOR-CAP, WINCH SWITCH	2
5	1009596	RELAY - SPST, 12V, 20A, EPXY, HFA	9
6	1045708	THROTTLE-CON BOOT	1
7	1039488	COVER - DIAGNOSTIC, W/ CLIP	1
8	1045951	FUSE,PARK,20 AMP,(10)	2
9	1005911	FUSE, IGNITION, 10 AMP	4
10	1045236	FUSE,MAIN,30 AMP,(10)	1
11	1045235	FUSE - 7.5, MINI BLADE (BROWN)	1
12	1047440	BREAKER, CIRCUIT, ETA,20 AMP, MINI	1
13	1039379	Fuse, Mini Blade, 15 Amp.	2
14	1045783	CLIP,PLASTIC DART,NYLON(10)	4
15	1046909	CLIP-EDGE, 1-3mm THICKNESS	1
16	1047441	CLIP-EDGE,1-3MM THICKNESS	1
17	1045218	CLIP- EDGE, 1-3MM THICKNESS	1
18	1009567	FUSE, 5 AMP	1
19	1014065	CLIP-ROUTING	AR
20	1047443	CLIP-FIR TREE,9.7-10.0MM HOLE	2
21	1046895	GROMMET - 65MM, W/FLANGE, BLK	1
22	1046893	GROMMET - USB, 3 MM, 22 MM DIA	1
23	1047444	CLIP-DOUBLE CABLE TIE W/XMAS TREE 6.35MM HOLE (BK)	3
24	1047445	CLIP-XMAS,6.35MM HOLE,TAPE-ON	1
25	1047442	CLIP-EDGE,3-6MM THICKNESS	1
26	1046896	COVER, HAZARD FLASHER FUSE	1

# ELECTRICAL, WIRE HARNESS

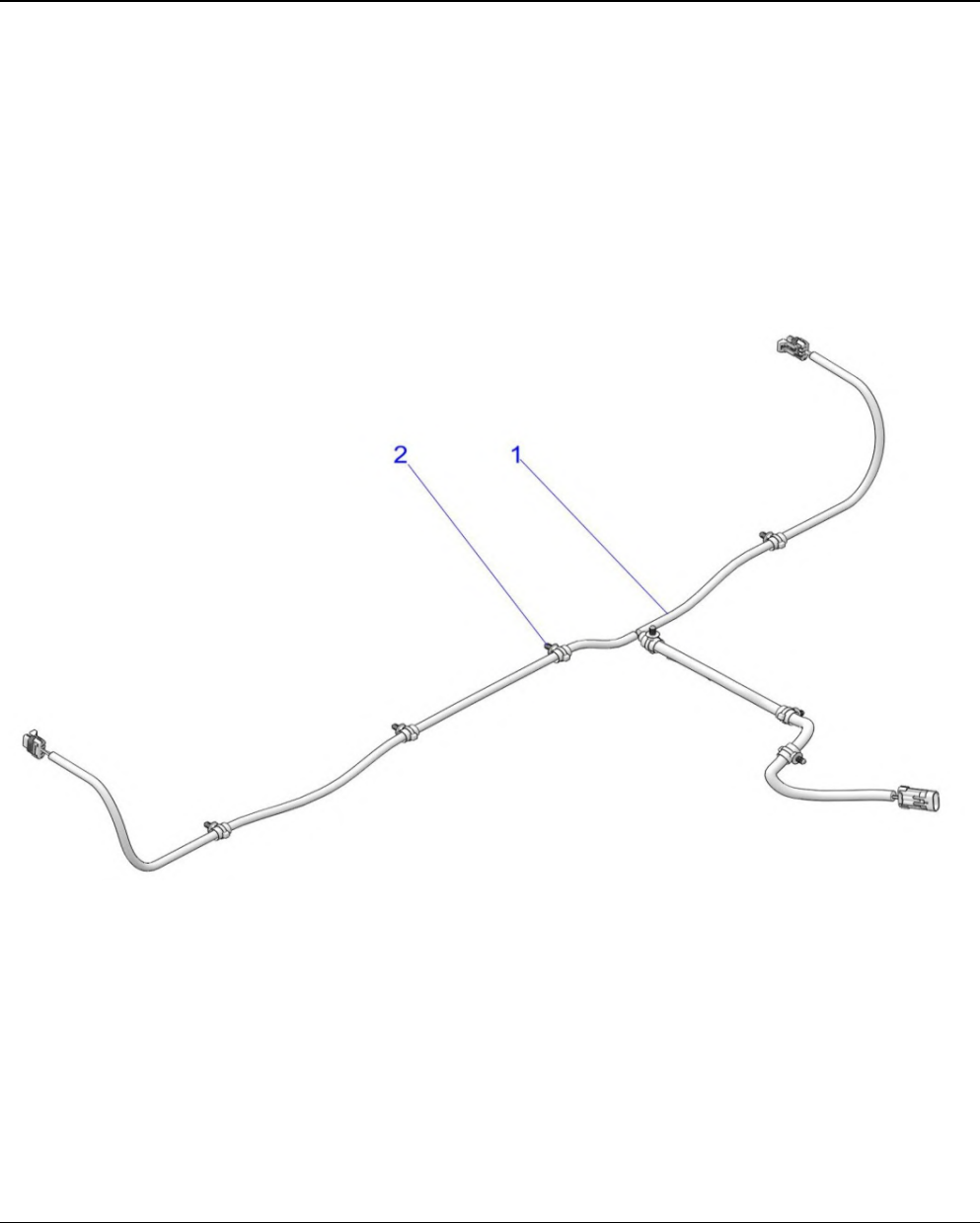
2022 RGR RANGER 1000 FULL SIZE EPS EU TRACTOR ZUG (R03) - R22TAE99FA/SFA/SCA/SCK



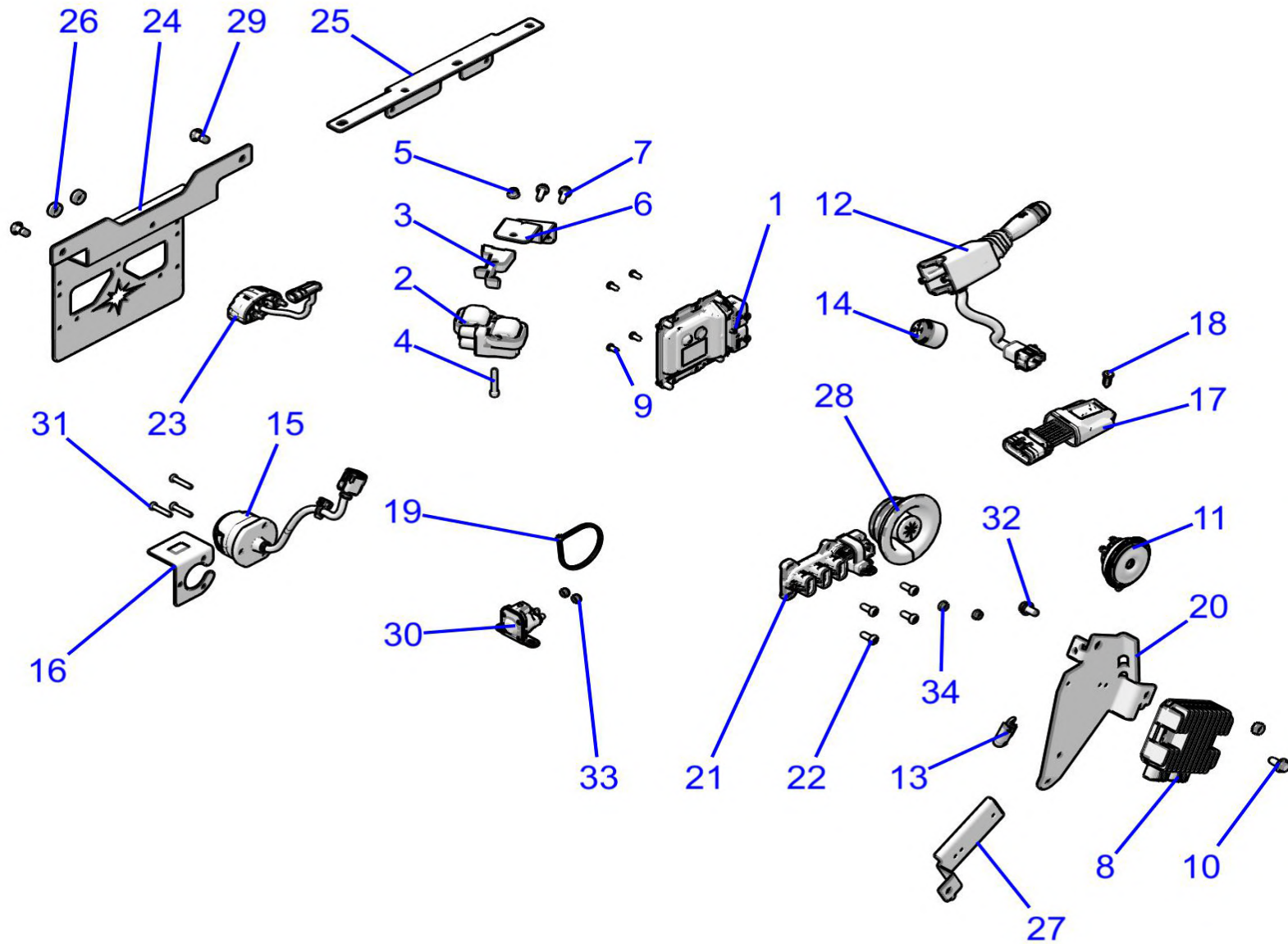
POS	SAP	Part Name	Qty
1	1047436	HARNESS-CHASSIS,FS,TR,NORDIC [INCL. ALL]	1
2	1047437	LABEL-FUSE BOX,RGR,FS,N PRO	1
3	1047438	SSR-4PIN	1
4	1047439	CONNECTOR-CAP, WINCH SWITCH	2
5	1009596	RELAY - SPST, 12V, 20A, EPOXY, HFA	6
6	1045708	THROTTLE-CON BOOT	1
7	1039488	COVER - DIAGNOSTIC, W/ CLIP	1
8	1045951	FUSE,PARK,20 AMP,(10)	3
9	1005911	FUSE, IGNITION, 10 AMP	5
10	1045236	FUSE,MAIN,30 AMP,(10)	1
11	1045235	FUSE - 7.5, MINI BLADE (BROWN)	3
12	1047440	BREAKER, CIRCUIT, ETA,20 AMP, MINI	1
13	1039379	Fuse, Mini Blade, 15 Amp.	2
14	1045783	CLIP,PLASTIC DART,NYLON(10)	4
15	1046909	CLIP-EDGE, 1-3mm THICKNESS	1
16	1047441	CLIP-EDGE,1-3MM THICKNESS	1
17	1045218	CLIP- EDGE, 1-3MM THICKNESS	1
18	1047442	CLIP-EDGE,3-6MM THICKNESS	1
19	1014065	CLIP-ROUTING	AR
20	1047443	CLIP-FIR TREE,9.7-10.0MM HOLE	1
21	1046895	GROMMET - 65MM, W/FLANGE, BLK	1
22	1046893	GROMMET - USB, 3 MM, 22 MM DIA	1
23	1047444	CLIP-DOUBLE CABLE TIE W/XMAS TREE 6.35MM HOLE (BK)	2
24	1045706	CLIP-EDGE, 1-3mm THICKNESS	1
25	1009568	Fuse, 25 AMP, Mini Blade	1
26	1046896	COVER, HAZARD FLASHER FUSE	2
27	1009567	FUSE, 5 AMP	1
28	1047445	CLIP-XMAS,6.35MM HOLE,TAPE-ON	1
29	1047446	CONNECTOR-3F,59 SERIES, UNDEALED (BK)	1

# ELECTRICAL, WIRE HARNESS, BOX

2022 RGR RANGER 1000 FULL SIZE EPS EU TRACTOR ZUG (R03) - R22TAE99FA/SFA/SCA/SCK

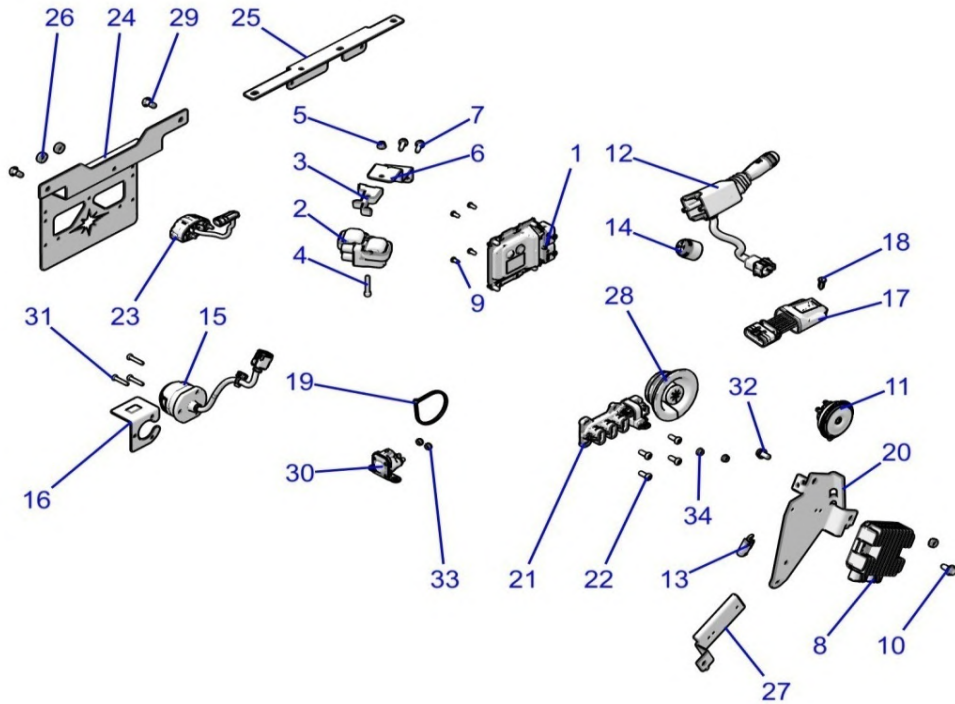


POS	SAP	Part Name	Qty
1	<a href="#">1047447</a>	HARNESS,BOX,RANGER,EU/TRC	1
2	<a href="#">1014065</a>	CLIP-ROUTING	10



**ELECTRICAL, WIRE HARNESS, COMPONENTS, AND LICENSE PLATE**

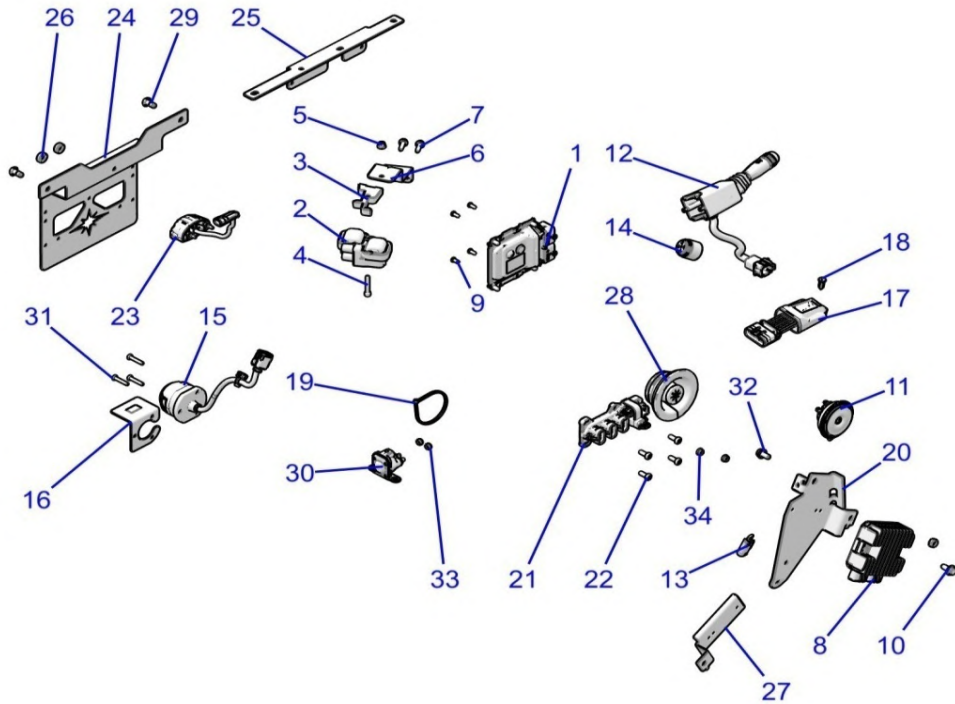
2022 RGR RANGER 1000 FULL SIZE EPS EU TRACTOR ZUG (R03) - R22TAE99FA/SFA/SCA/SCK



POS	SAP	Part Name	Qty
1	1009581	ECM-HARD,ME17,2CYL,250K	1
2	1039486	COIL, EFI	1
3	1011828	SPACER, COIL MOUNT	1
4	1039705	SCR-M6X1.0X40,HX/SOC/CP-B	1
5	1039782	NUT, M6 FLANGE, NYLOC	1
6	1046898	BRKT-COIL MOUNT	1
7	1046897	SCR-TFHFL-M6X1.0X25,ZY3	AR
8	1009597	REGULATOR-3PH,50A,SERIES,HISPD [QTY 2 FOR THE S99CK]	1
9	1039719	SCR-#10X1/2-HI/LO-PN-T25, TRX-M	4
10	1039688	SCR-TFHFL-M8X1.25X20 CHS ZOD [QTY 2 FOR THE S99CK]	2
11	1009565	HORN, DISC	1
12	1045683	SWITCH BLOCK,TURN,LIGHTS HORN	1
13	1045707	JUMPER-BRAKE PRESSURE SWITCH	1
14	1045709	ALARM-BRAKE, WARNING	1
15	1047448	JUMPER,TRAILER SOCKET,FS	1
16	1047449	SHIELD-TRAILER CONNECTOR,FS	1
17	1009602	MODULE-FLASH,TURN,TRAILER,TRC	1
18	1047450	CLIP-XMAS TREE, .945 X .228	1
19	1014060	CABLE-TIE,10-102MM,WEATH.-RES.	1
20	1047451	WELD-HORN,SUPPORT	1
21	1045695	BLOCK, TERMINAL, 3 POST	1
22	1039758	SCR-TXPH-#14 X .75 HI-LO RIE	4
23	1005857	LIGHT-LICENSE PLATE,TRACTR,BLK [S99FA][S99CA][S99CK]	1
24	1047452	BRKT-LICENSE PLATE,FS,M.BLK [S99FA][S99CA][S99CK]	1
25	1047453	BRKT-FOG LIGHT,LED,RGR,BLK [S99FA]	1
26	1045690	WASHER-.28 X.75 X.25-NYLON-B [S99FA]	2
27	1047454	BRKT-MOUNT,REG [S99CK]	1
28	1046879	GROMMET-HOOD LINER,SPLIT	1
29	1014473	SCR-TXTH-M8X1.25X20 8.8 ZB3 P3 [S99FA][S99CA][S99CK]	2
30	1009588	SOLENOID, STARTER, SEALED	1

**ELECTRICAL, WIRE HARNESS, COMPONENTS, AND LICENSE PLATE**

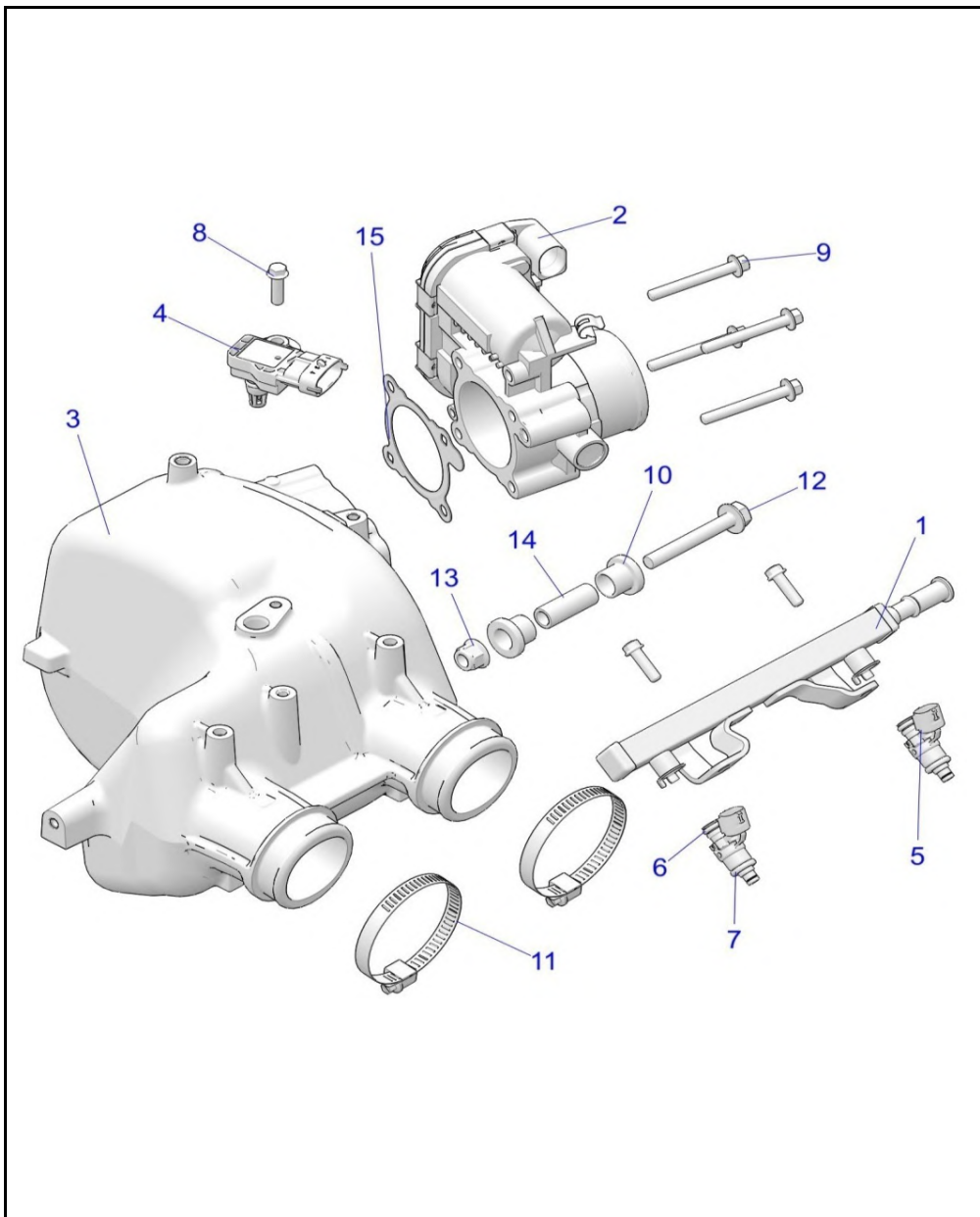
2022 RGR RANGER 1000 FULL SIZE EPS EU TRACTOR ZUG (R03) - R22TAE99FA/SFA/SCA/SCK



POS	SAP	Part Name	Qty
31	<a href="#">1039655</a>	SCR-10-24X1.25TFM PN TRX TRI-Y	3
32	<a href="#">1046727</a>	SCR-HXFL-M8X1.25X16 8.8 ZPB	1
33	<a href="#">1039773</a>	NUT-6MM X 1 NYLOK-Z	2
34	<a href="#">1045182</a>	NUT-HXFLGHD, M6, SERRATED	2

# ENGINE, AIR INTAKE MANIFOLD

2022 RGR RANGER 1000 FULL SIZE EPS EU TRACTOR ZUG (R03) - R22TAE99FA/SFA/SCA/SCK

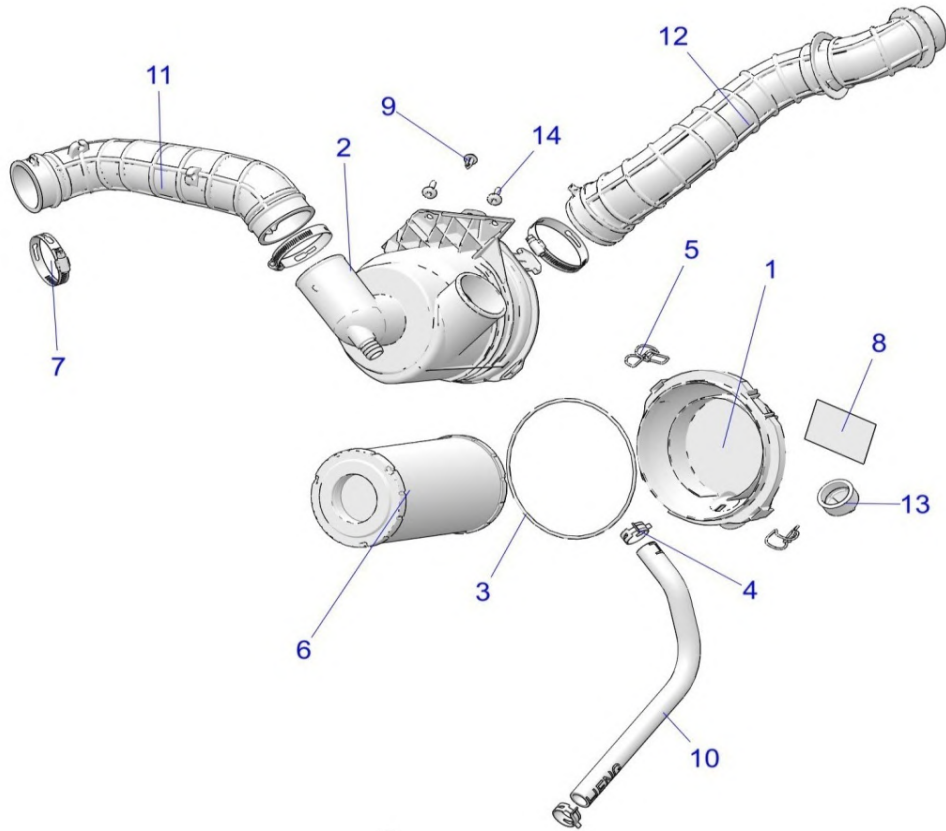


POS	SAP	Part Name	Qty
1	1047455	RAIL-FUEL,SOHC [INCL. 1,5,8,13]	1
2	1002283	ASM., THROTTLE BODY	1
3	1047456	MANIFOLD-INTAKE,SOHC	1
4	1005828	SENSOR, T-MAP, DSS3-TF	1
5	1047457	INJ-FUEL,SE [INCL. 6,7]	2
6	1047458	O-RING BOSCH,EV-SE,UPPER	2
7	1047459	O-RING BOSCH,EV-SE,LOWER	2
8	1039698	SCREW-HXFL-M6X1.0X20 8.8 ZY3	3
9	1014430	SCR-M6X1.0X50.0 HX/FL-Y/D	4
10	1039552	BUSHING, MOUNT	2
11	1039614	CLAMP, BAND, NARROW	2
12	1039746	SCR-HXFL-M8X1.25X60 8.8 ZOD	1
13	1014499	NUT- M8X1.25, FLG, NYLOC-OLIVE D	1
14	1039505	SHAFT-COMPRESSION LMTR,34.4MM	1
15	1047460	GASKET-ETC	1



# ENGINE, AIR INTAKE SYSTEM

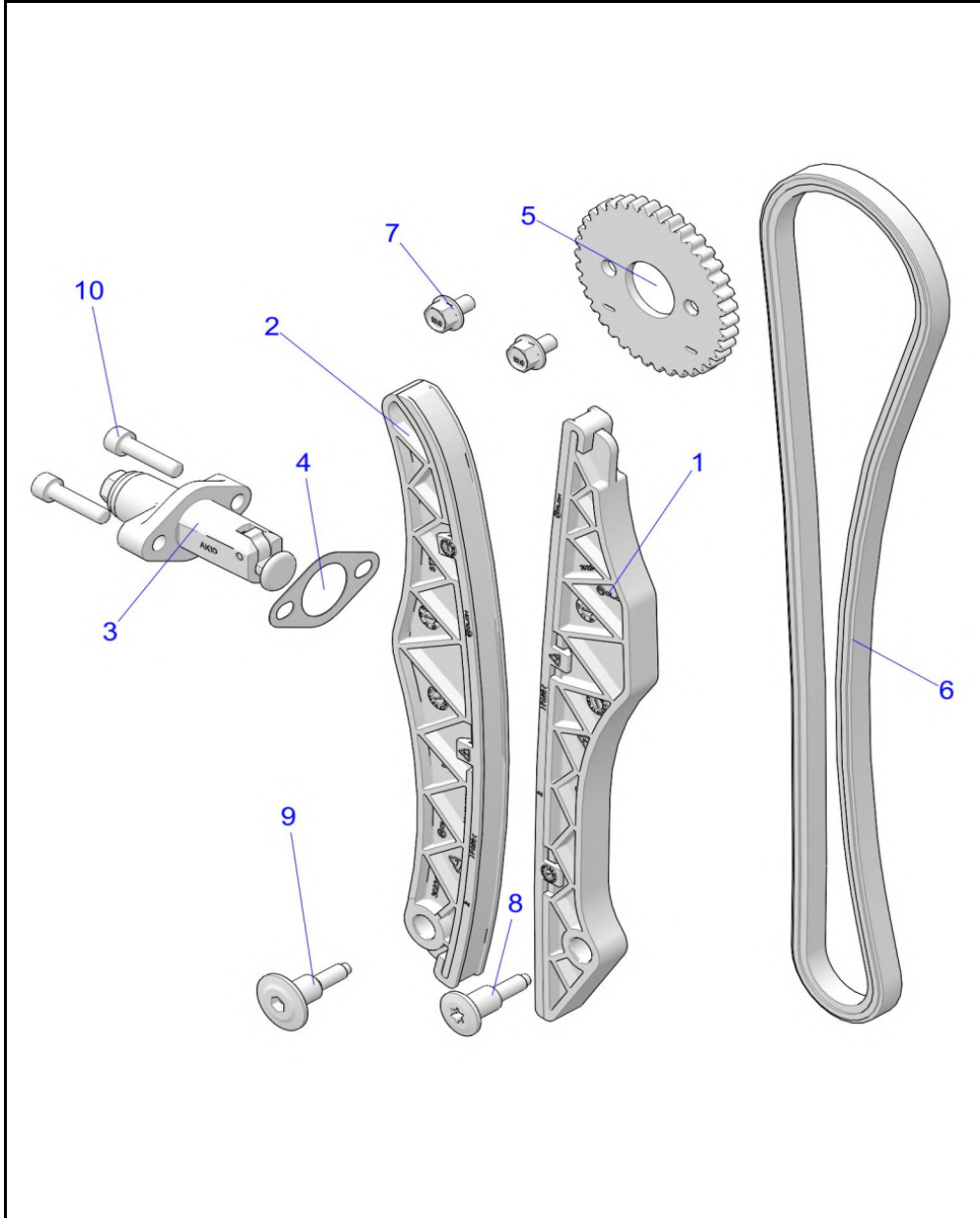
2022 RGR RANGER 1000 FULL SIZE EPS EU TRACTOR ZUG (R03) - R22TAE99FA/SFA/SCA/SCK



POS	SAP	Part Name	Qty
1	-----	COVER-AIRBOX	1
2	1047461	BASE-AIRBOX	1
3	1047462	SEAL-AIRBOX	1
4	1039620	SPRINGBAND-CLAMP 27/12, GREEN	2
5	1029995	ASM-AIRBOX CLIP	2
6	1014084	FILTER, AIR	1
7	1033329	CLAMP-HOSE SLOTTED, 60-80 DIA	3
8	1039646	DECAL, CAUTION, AIR BOX	1
9	1014589	RIVET-TUFLOK, .315-.325X.787	1
10	1047463	HOSE-VENT, ENGINE	1
11	1047464	HOSE-AIRBOX TO PLENUM	1
12	1047465	HOSE-AIRBOX TO SIDE PANEL	1
13	1047466	BOOT-PURGE VALVE, AIR BOX	1
14	1014459	SCR-TXTH-M6X1.0X25 ZFB	2

# ENGINE, CAM CHAIN AND TENSIONER

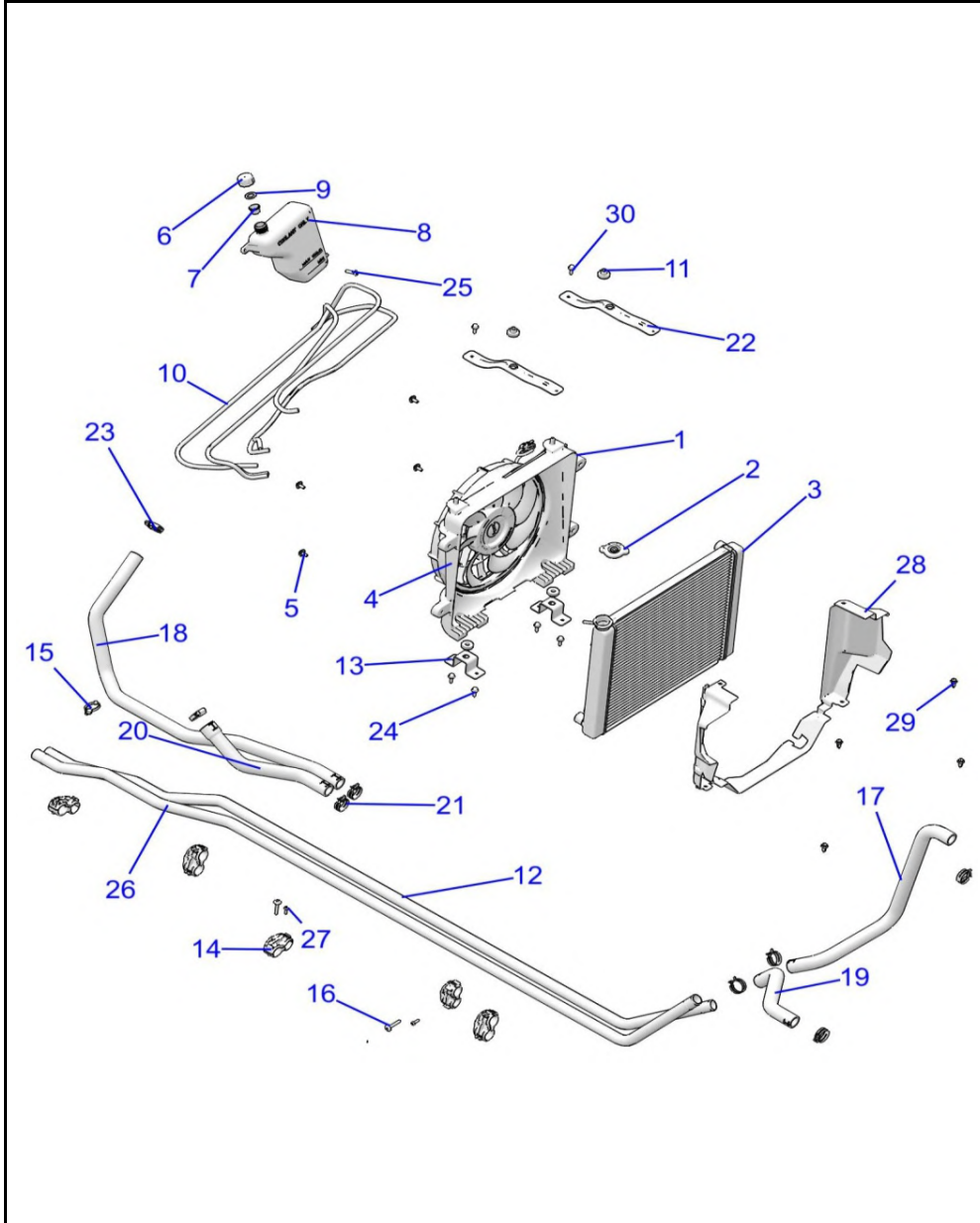
2022 RGR RANGER 1000 FULL SIZE EPS EU TRACTOR ZUG (R03) - R22TAE99FA/SFA/SCA/SCK



POS	SAP	Part Name	Qty
1	1047467	GUIDE-CAM CHAIN, FIXED, SOHC	1
2	1047468	GUIDE-CAM CHAIN, TENSIONER, SOHC	1
3	1045238	TENSIONER-RATCHETING,MECH [INCL. 4]	1
4	1039603	GASKET, TENSIONER	1
5	1047469	SPROCKET-CAM, DRIVEN, SOHC	1
6	1047470	CHAIN, CAMSHAFT	1
7	1039728	SCREW-HXFL,M6X1.0X10 10.9	2
8	1039730	SCREW-TXPH-M6X1.0X14 8.8 A2K SHB	1
9	1039765	BOLT-SHLDR, M6X14X40	1
10	1039713	SCREW-SH-M6X1.0X25 10.9 ZPC D204	2

# ENGINE, COOLING SYSTEM

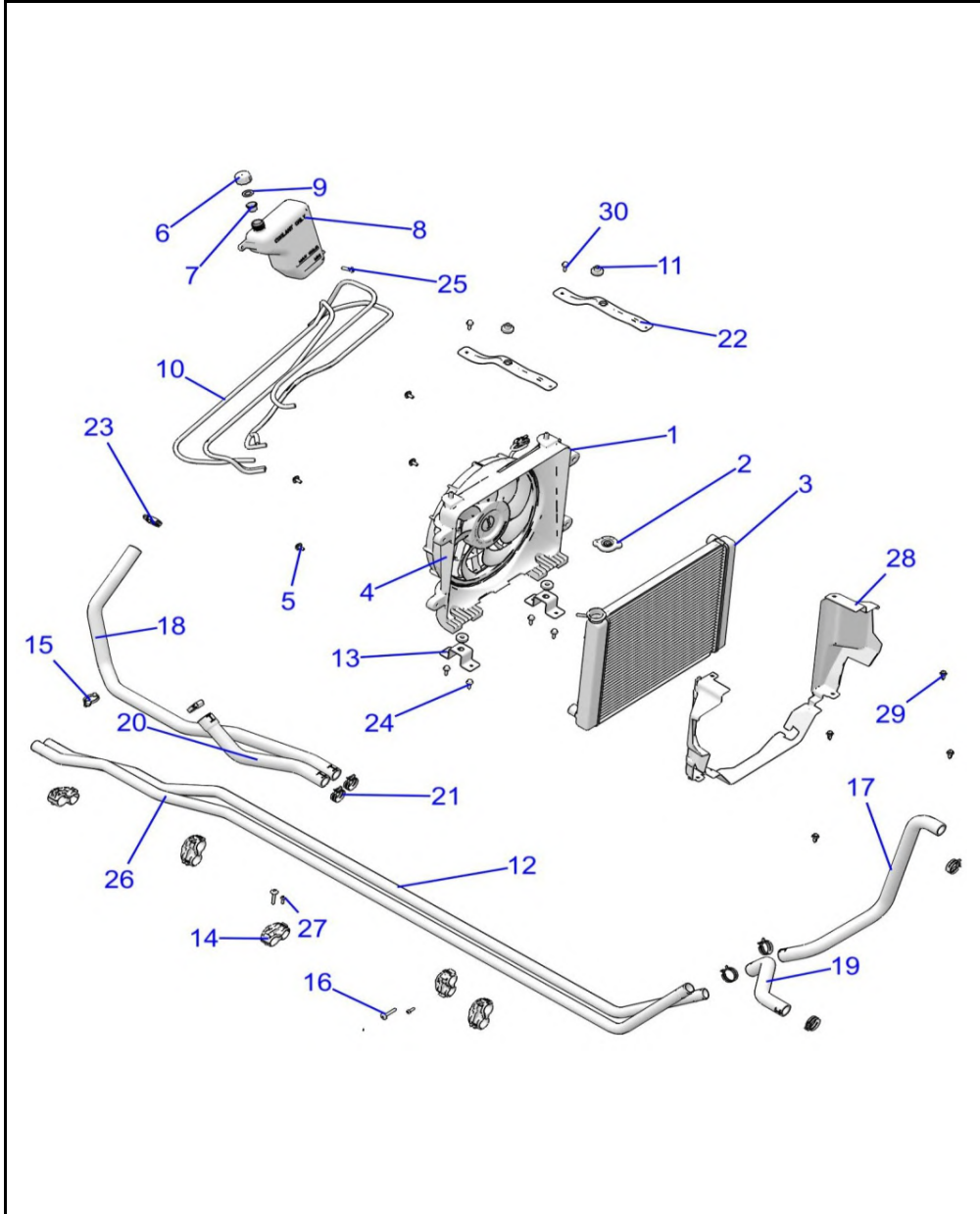
2022 RGR RANGER 1000 FULL SIZE EPS EU TRACTOR ZUG (R03) - R22TAE99FA/SFA/SCA/SCK



POS	SAP	Part Name	Qty
1	1046931	ASM., RADIATOR [INCL. 1-5]	1
1	1047471	K-ASM-RADIATOR,EU [INCL. DECAL][E99FA]	
2	1002468	CAP, RADIATOR	1
3	1046932	ASM., RADIATOR, CORE	1
4	1046933	FAN ASSEMBLY	1
5	1039757	BOLT, M6X15MM	4
6	1011820	CAP, OVER FLOW BOTTLE, DRILLED	1
7	1011824	CAP,PLUG9X(GRN),FLEX TEMP(10)	1
8	1039565	TANK, SURGE	1
9	1012347	GASKET, OVER FLOW CAP	1
10	1045239	FUEL LINE-95 CENTIMETERS	AR
11	1039287	GROMMET-FLANGED,.36X.56X1.06	4
12	1046934	TUBE-COOLANT,1"	1
13	1047472	BRKT-RADIATOR MNT,LWR,BLK	2
14	1046936	CLIP-COOLANT ROUTING	AR
15	1014065	CLIP-ROUTING	1
16	1039714	SCR-TXTH-M6X1.0X50, 8.8, ZPB	2
17	1046937	HOSE-UPPER,RAD	1
18	1046938	HOSE-ENG,OUT	1
19	1046939	HOSE-LOWER,RAD	1
20	1046940	HOSE-ENG,IN	1
21	1039621	SPRINGBAND-CLAMP 35/12,BLK	8
22	1046941	BRKT-RADIATOR MOUNT,BLK	2
23	1039628	CLAMP, HOSE (WORM DR) 25-40MM	2
24	1014437	SCR-M6X1X16 TR/TX-M	4
25	1039666	SCREW, #14X1 HI/LO-PH-PN TRX-M	2
26	1047475	TUBE-COOLANT,1",UPPER	1
27	1014423	SCREW-#10X3/4-HI/LO-PN-T25,TRX-M	2
28	1047476	SHROUD-RADIATOR,FRONT,BLK	1
29	1014589	RIVET-TUFLOK,.315-.325X.787	4

# ENGINE, COOLING SYSTEM

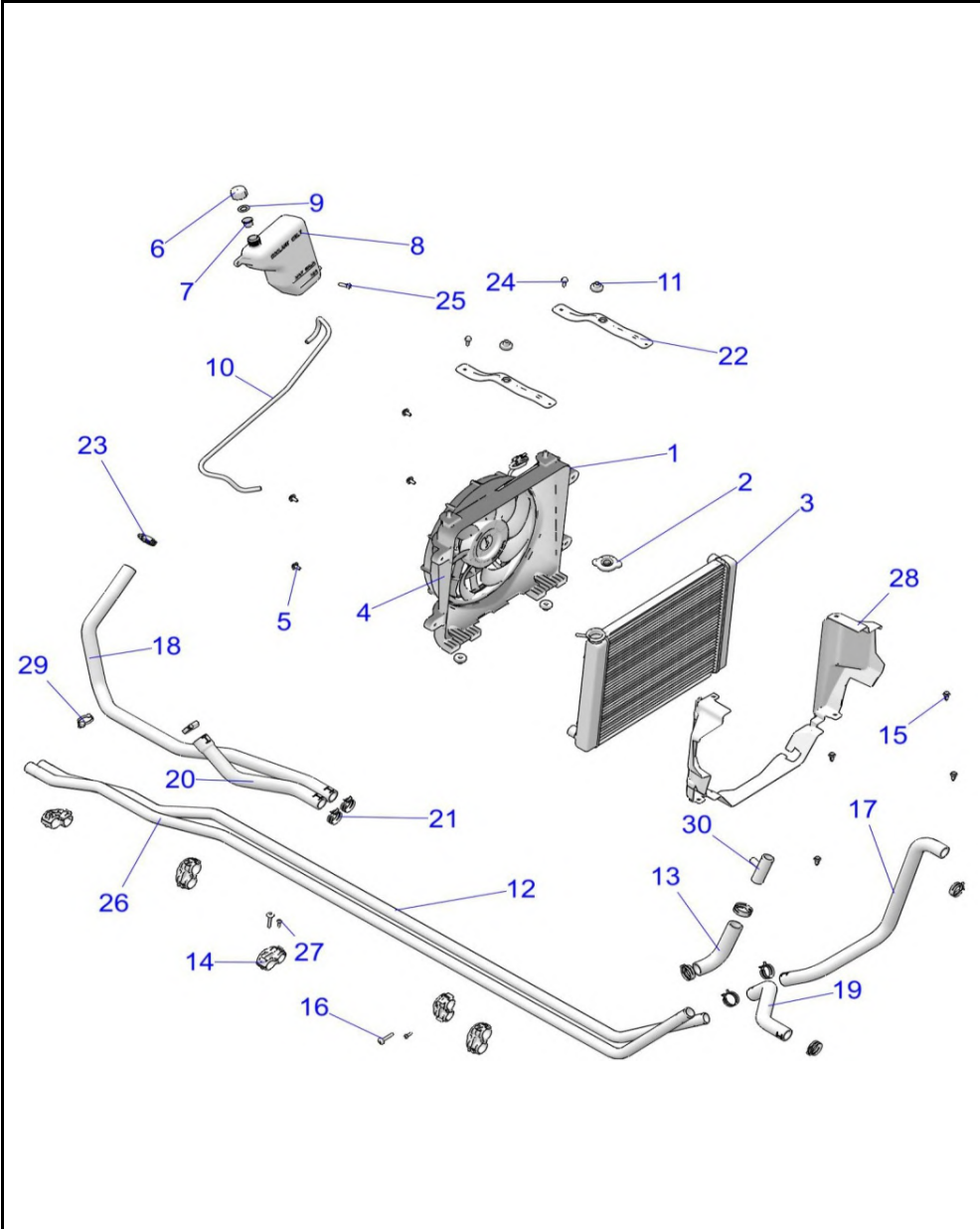
2022 RGR RANGER 1000 FULL SIZE EPS EU TRACTOR ZUG (R03) - R22TAE99FA/SFA/SCA/SCK



POS	SAP	Part Name	Qty
30	1039683	SCR-M6X1.0X20, HXHD, FLG, TDFM, BK	2

# ENGINE, COOLING SYSTEM

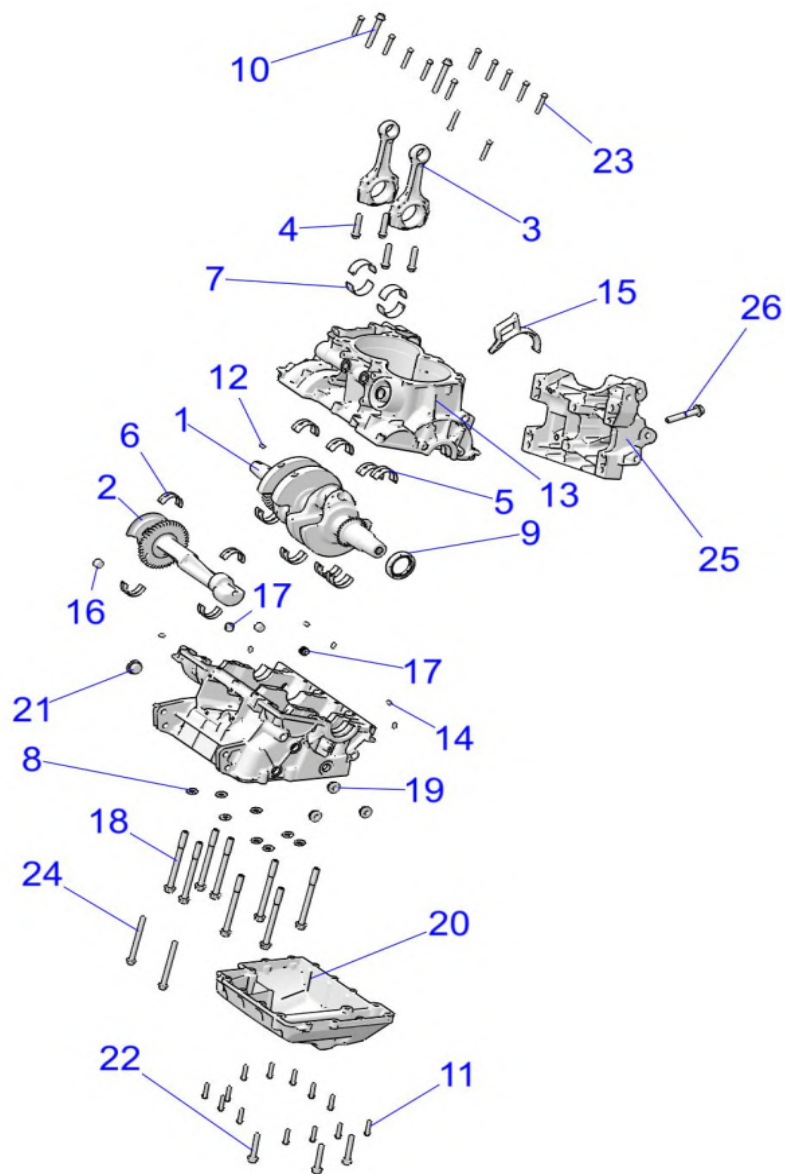
2022 RGR RANGER 1000 FULL SIZE EPS EU TRACTOR ZUG (R03) - R22TAE99FA/SFA/SCA/SCK



POS	SAP	Part Name	Qty
1	1046931	ASM., RADIATOR [INCL. 2-5]	1
2	1002468	CAP, RADIATOR	1
3	1046932	ASM., RADIATOR, CORE	1
4	1046933	FAN ASSEMBLY	1
5	1039757	BOLT, M6X15MM	4
6	1011820	CAP, OVER FLOW BOTTLE, DRILLED	1
7	1011824	CAP, PLUG9X(GRN), FLEX TEMP(10)	1
8	1039565	TANK, SURGE	1
9	1012347	GASKET, OVER FLOW CAP	1
10	1039913	HOSE-POLY, CLEAR, 3/8 OD, 1/4 ID	AR
11	1039287	GROMMET-FLANGED, .36X.56X1.06	4
12	1046934	TUBE-COOLANT, 1"	1
13	1047473	HOSE-COOLANT, 3WAY-HEATER	1
14	1046936	CLIP-COOLANT ROUTING	2
15	1014589	RIVET-TUFLOK, .315-.325X.787	4
16	1039714	SCR-TXTH-M6X1.0X50, 8.8, ZPB	2
17	1046937	HOSE-UPPER, RAD	1
18	1046938	HOSE-ENG, OUT	1
19	1047474	HOSE-COOLANT, 3WAY-HEATER	1
20	1046940	HOSE-ENG, IN	1
21	1039621	SPRINGBAND-CLAMP 35/12, BLK	6
22	1046941	BRKT-RADIATOR MOUNT, BLK	2
23	1039628	CLAMP, HOSE (WORM DR) 25-40MM	2
24	1039683	SCR-M6X1.0X20, HXHD, FLG, TDFM, BK	2
25	1039666	SCREW, #14X1 HI/LO-PH-PN TRX-M	2
26	1047475	TUBE-COOLANT, 1", UPPER	1
27	1014423	SCREW-#10X3/4-HI/LO-PN-T25, TRX-M	2
28	1047476	SHROUD-RADIATOR, FRONT, BLK	1
29	1014065	CLIP-ROUTING	1
30	1045997	CONNECTOR-TEE, 1X1X0.5	1

# ENGINE, CRANKCASE AND CRANKSHAFT

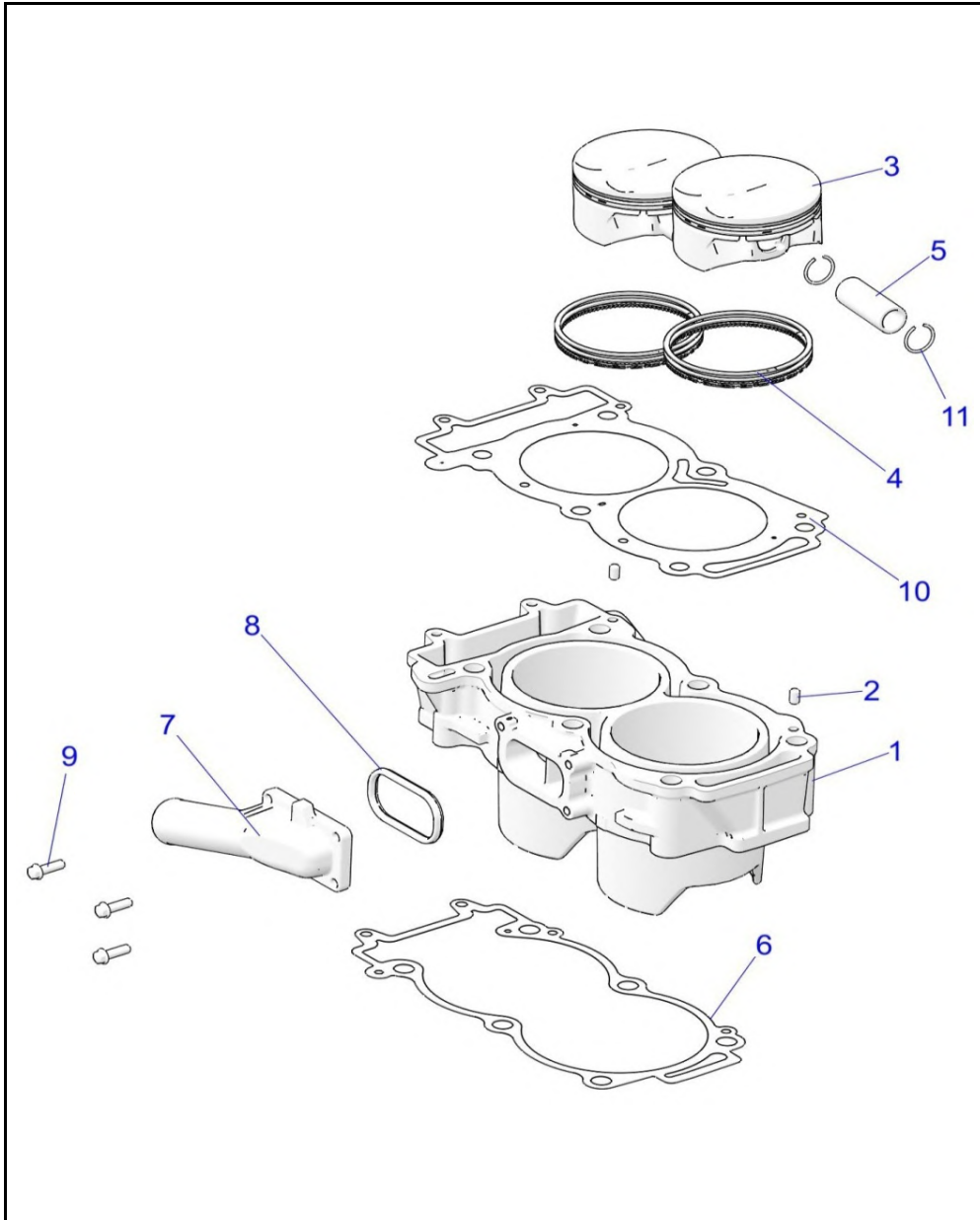
2022 RGR RANGER 1000 FULL SIZE EPS EU TRACTOR ZUG (R03) - R22TAE99FA/SFA/SCA/SCK



POS	SAP	Part Name	Qty
1	1047477	ASM-CRANKSHAFT	1
2	1039348	ASM., BALANCE SHAFT	1
3	1028601	ASM-CONNECTING ROD,CLN [INCL. 4]	2
4	1039762	SCR-ROD,MJ9X1X40-4H6H,12.9	4
5	-----	BEARING-MAIN,G-90,41MM	8
6	1028596	BEARING, BALANCE SHAFT	4
7	1028589	BEARING, CONNECTING ROD, WHITE	4
7	1028590	BEARING, CONNECTING ROD, BLUE	4
7	1028591	BEARING, CONNECTING ROD, GREEN	4
7	1028592	BEARING, CONNECTING ROD, YELLOW	4
8	-----	WASHER	8
9	1028602	SEAL-CRANKSHAFT	1
10	1039731	SCR-HXFLG,M8X1.25X60	2
11	1039744	SCREW-HXFLG,M6X1.0X25,10.9	13
12	1014636	KEY,WOODRUFF(10)	1
13	1046946	K-CRANKCASE 3023497 [INCL. 14-19]	1
14	1045248	PIN, DOWEL	8
15	1045249	DIVERTER, OIL DRAIN	1
16	1039610	PLUG-3/8 NPT,HX/SOC W/SEALANT	2
17	1039708	PLUG-HEX SOCKET,1/4X18,SEALANT	2
18	1045250	SCR-HXFL,M10X1.25X113MM 10.9 [INCL. 8]	8
19	1045714	PLUG-HEX SCKT,W/O-RING,M16X1.5	3
20	1045251	COVER-SUMP,MACH	1
21	1039611	PLUG-HEX SCKT,W/O-RING,M20X1.5	1
22	1039664	SCR-M8X1.25X50 HX/FL-Y	3
23	1039699	SCR-HXFL-M6X1.0X35 8.8 ZY3	12
24	1039727	SCR-HXFLG,M8X1.25X90	2
25	1039500	BRKT-TRANSJOINT,MACH	
26	1039763	BOLT-M10X1.5X60MM8.8HEXDRILLOCK	6

# ENGINE, CYLINDER AND PISTON

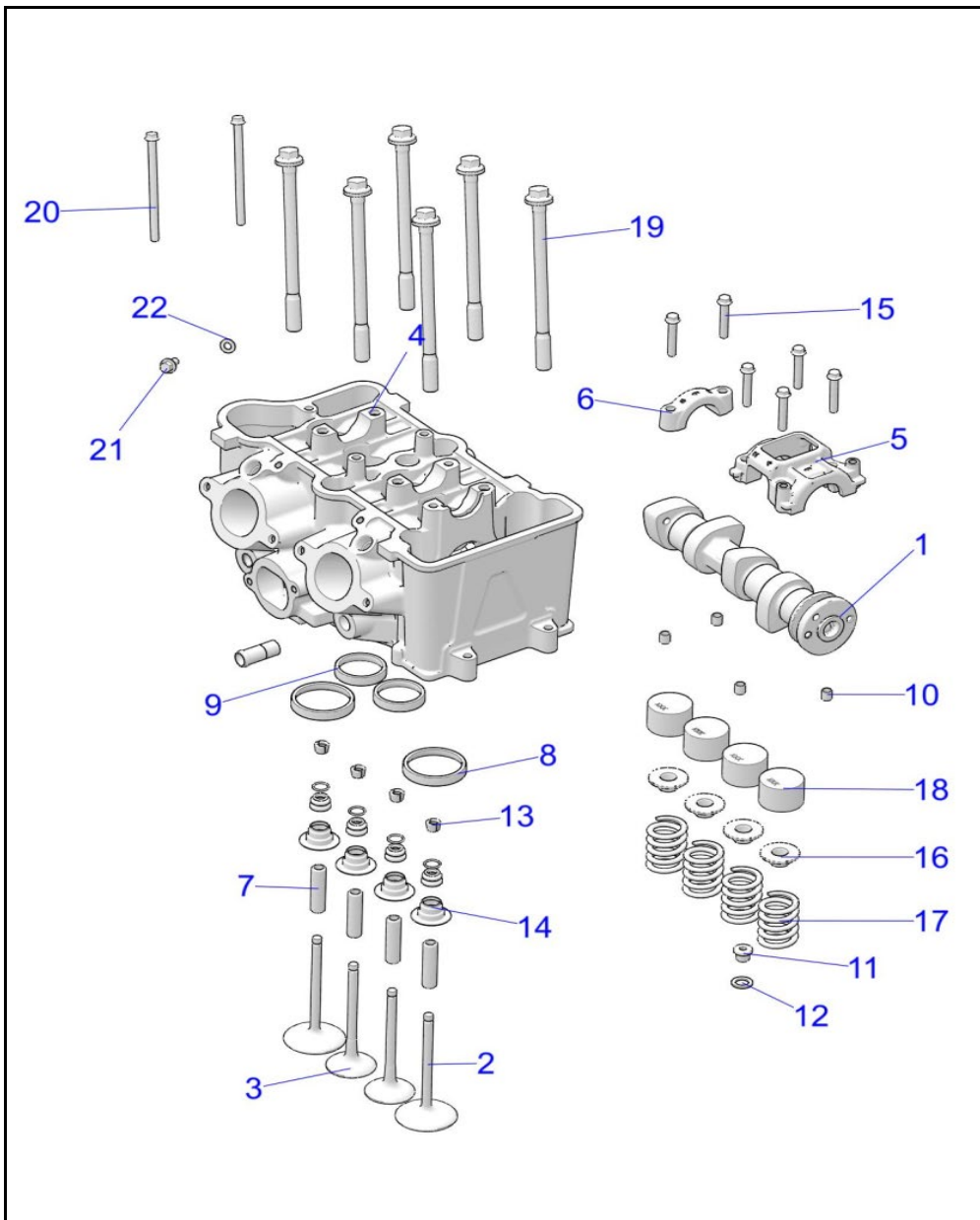
2022 RGR RANGER 1000 FULL SIZE EPS EU TRACTOR ZUG (R03) - R22TAE99FA/SFA/SCA/SCK



POS	SAP	Part Name	Qty
1	<a href="#">1040429</a>	ASM-CYLINDER,875 [INCL. 2][TO 9/20/2021]	1
1	<a href="#">1047478</a>	ASM-CYLINDER,875 [INCL. 2][FROM 9/20/2021]	1
1	<a href="#">1039498</a>	PIN, DOWEL, M6x10	2
3	<a href="#">1047479</a>	ASM., PISTON [INCL. 4,5]	2
4	<a href="#">1039377</a>	KIT, PISTON RINGS	2
5	<a href="#">1039406</a>	PIN, PISTON	2
6	<a href="#">1028599</a>	GASKET, BASE, 2 CYL	1
7	<a href="#">1039588</a>	COVER, WATER INLET, CAST	1
8	<a href="#">1039596</a>	GASKET, WATER, INLET	1
9	<a href="#">1039698</a>	SCREW-HXFL-M6X1.0X20 8.8 ZY3	3
10	<a href="#">1045252</a>	GASKET, CYLINDER, HEAD	1
11	<a href="#">1040420</a>	RING-RTG,ROUND,20.0X1.6	4

# ENGINE, CYLINDER HEAD AND VALVES

2022 RGR RANGER 1000 FULL SIZE EPS EU TRACTOR ZUG (R03) - R22TAE99FA/SFA/SCA/SCK

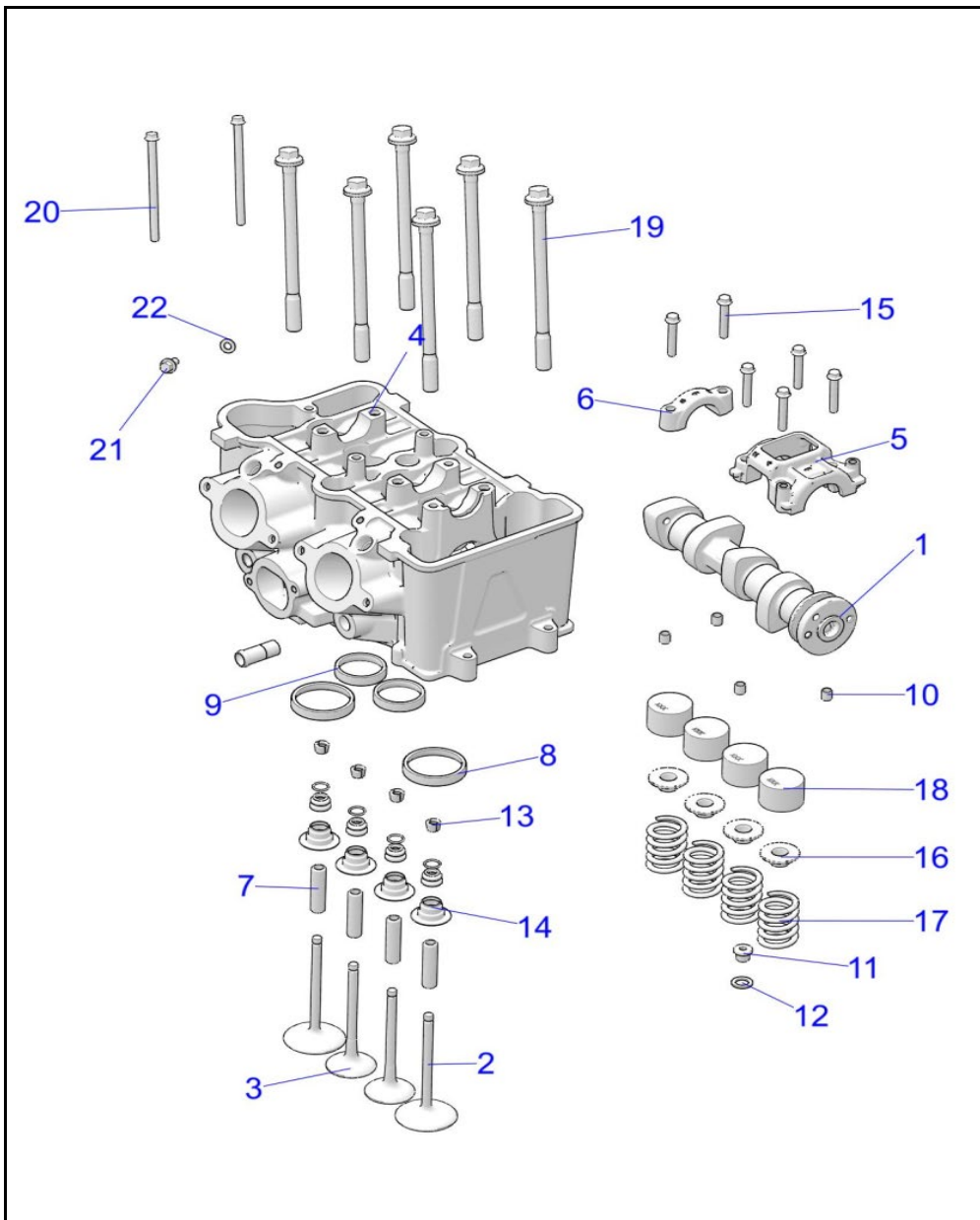


POS	SAP	Part Name	Qty
1	1047480	ASM-CAMSHAFT,2CYL,SOHC	1
2	1047481	VALVE-INTAKE,47MM	2
3	1047482	VALVE-EXHAUST,38MM	2
4	1047483	ASM-HEAD,MACH,SOHC [INCL. 4-9]	1
4	-----	HEAD-CYL,MACH,SOHC [INCL. IN CYLINDER HEAD ASM.]	1
5	-----	CARRIER-CAMSHAFT,SOHC [INCL. IN CYLINDER HEAD ASM.]	1
6	-----	CARRIER-CAMSHAFT,SOHC,PTO [INCL. IN CYLINDER HEAD ASM.]	1
7	-----	GUIDE-VALVE,EXHAUST [INCL. IN CYLINDER HEAD ASM.]	4
8	-----	SEAT-VALVE,INTAKE [INCL. IN CYLINDER HEAD ASM.]	2
9	-----	SEAT-VALVE,EXHAUST [INCL. IN CYLINDER HEAD ASM.]	2
10	1045259	DWL-HOL,M8X8	4
11	1047484	PLUG-M10X1.0	1
12	1047485	WSHR-10.3X16X1.5 CU	1
13	1047486	KEEPER, VALVE	8
14	1047487	SEAL-VALVE STEM,SPRING SEAT	4
15	1045257	SCR-HXFL-M6X1.0X35 10.9 ZY3	6
16	1047488	RETAINER-VALVE SPRING	4
17	1047489	SPRING-VALVE	4
18	1047490	TAPPET, VALVE, GRADED, 4.400	AR
18	1047491	TAPPET, VALVE, GRADED, 3.250	AR
18	1047492	TAPPET, VALVE, GRADED, 3.275	AR
18	1047493	TAPPET, VALVE, GRADED, 3.300	AR
18	1047494	TAPPET, VALVE, GRADED, 3.325	AR
18	1047495	TAPPET, VALVE, GRADED, 3.350	AR
18	1047496	TAPPET, VALVE, GRADED, 3.375	AR
18	1047497	TAPPET, VALVE, GRADED, 3.400	AR
18	1047498	TAPPET, VALVE, GRADED, 3.425	AR
18	1047499	TAPPET, VALVE, GRADED, 3.450	AR
18	1047500	TAPPET, VALVE, GRADED, 3.475	AR
18	1047501	TAPPET, VALVE, GRADED, 3.500	AR



# ENGINE, CYLINDER HEAD AND VALVES

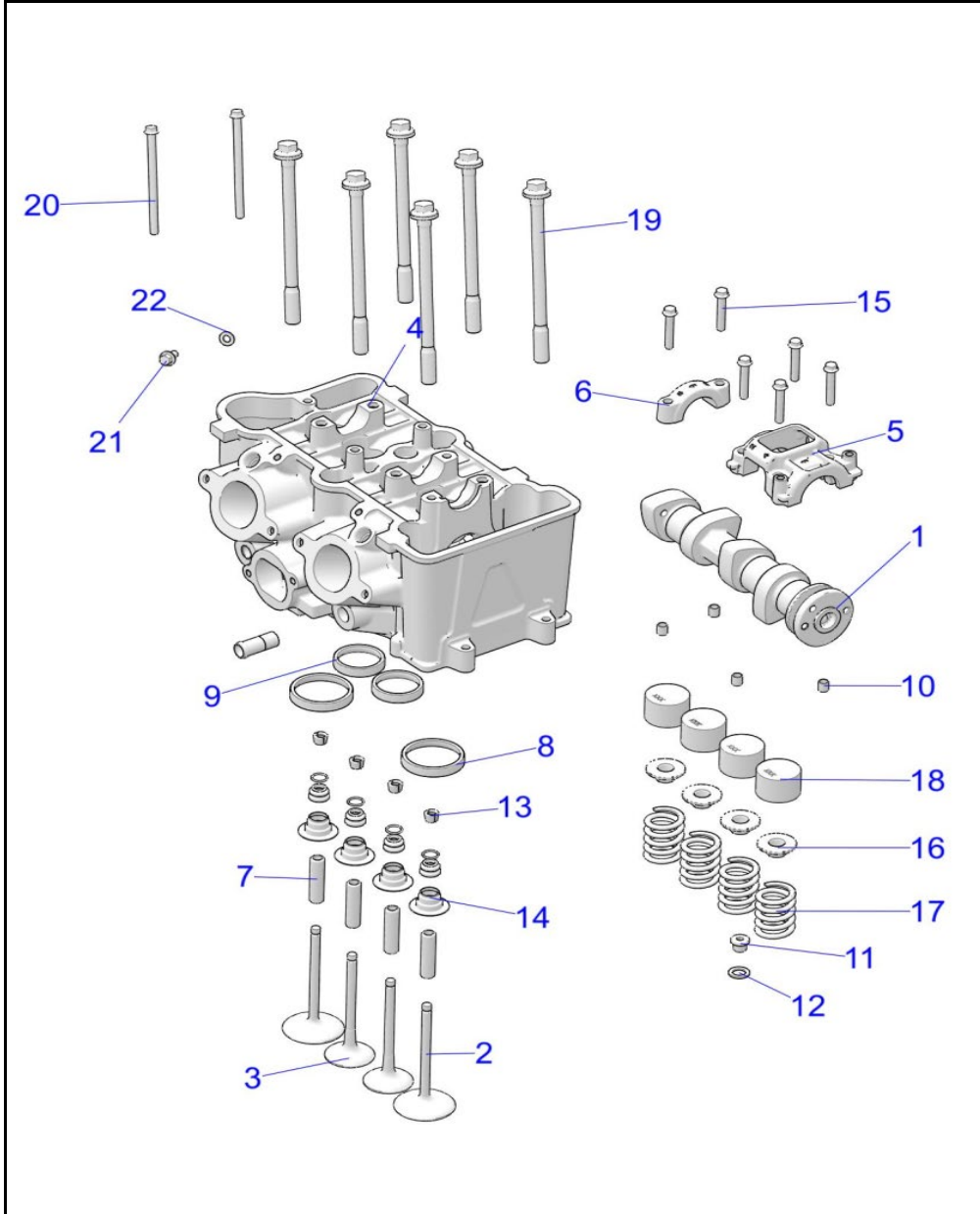
2022 RGR RANGER 1000 FULL SIZE EPS EU TRACTOR ZUG (R03) - R22TAE99FA/SFA/SCA/SCK



POS	SAP	Part Name	Qty
18	1047502	TAPPET, VALVE, GRADED, 3.525	AR
18	1047503	TAPPET, VALVE, GRADED, 3.550	AR
18	1047504	TAPPET, VALVE, GRADED, 3.575	AR
18	1047505	TAPPET, VALVE, GRADED, 3.600	AR
18	1047506	TAPPET, VALVE, GRADED, 3.625	AR
18	1047507	TAPPET, VALVE, GRADED, 3.650	AR
18	1047508	TAPPET, VALVE, GRADED, 3.675	AR
18	1047509	TAPPET, VALVE, GRADED, 3.700	AR
18	1047510	TAPPET, VALVE, GRADED, 3.725	AR
18	1047511	TAPPET, VALVE, GRADED, 3.750	AR
18	1047512	TAPPET, VALVE, GRADED, 3.775	AR
18	1047513	TAPPET, VALVE, GRADED, 3.800	AR
18	1047514	TAPPET, VALVE, GRADED, 3.825	AR
18	1047515	TAPPET, VALVE, GRADED, 3.850	AR
18	1047516	TAPPET, VALVE, GRADED, 3.875	AR
18	1047517	TAPPET, VALVE, GRADED, 3.900	AR
18	1047518	TAPPET, VALVE, GRADED, 3.925	AR
18	1047519	TAPPET, VALVE, GRADED, 3.950	AR
18	1047520	TAPPET, VALVE, GRADED, 3.975	AR
18	1047521	TAPPET, VALVE, GRADED, 4.000	AR
18	1047522	TAPPET, VALVE, GRADED, 4.025	AR
18	1047523	TAPPET, VALVE, GRADED, 4.050	AR
18	1047524	TAPPET, VALVE, GRADED, 4.075	AR
18	1047525	TAPPET, VALVE, GRADED, 4.100	AR
18	1047526	TAPPET, VALVE, GRADED, 4.125	AR
18	1047527	TAPPET, VALVE, GRADED, 4.150	AR
18	1047528	TAPPET, VALVE, GRADED, 4.175	AR
18	1047529	TAPPET, VALVE, GRADED, 4.200	AR
18	1047530	TAPPET, VALVE, GRADED, 4.225	AR
18	1047531	TAPPET, VALVE, GRADED, 4.250	AR

# ENGINE, CYLINDER HEAD AND VALVES

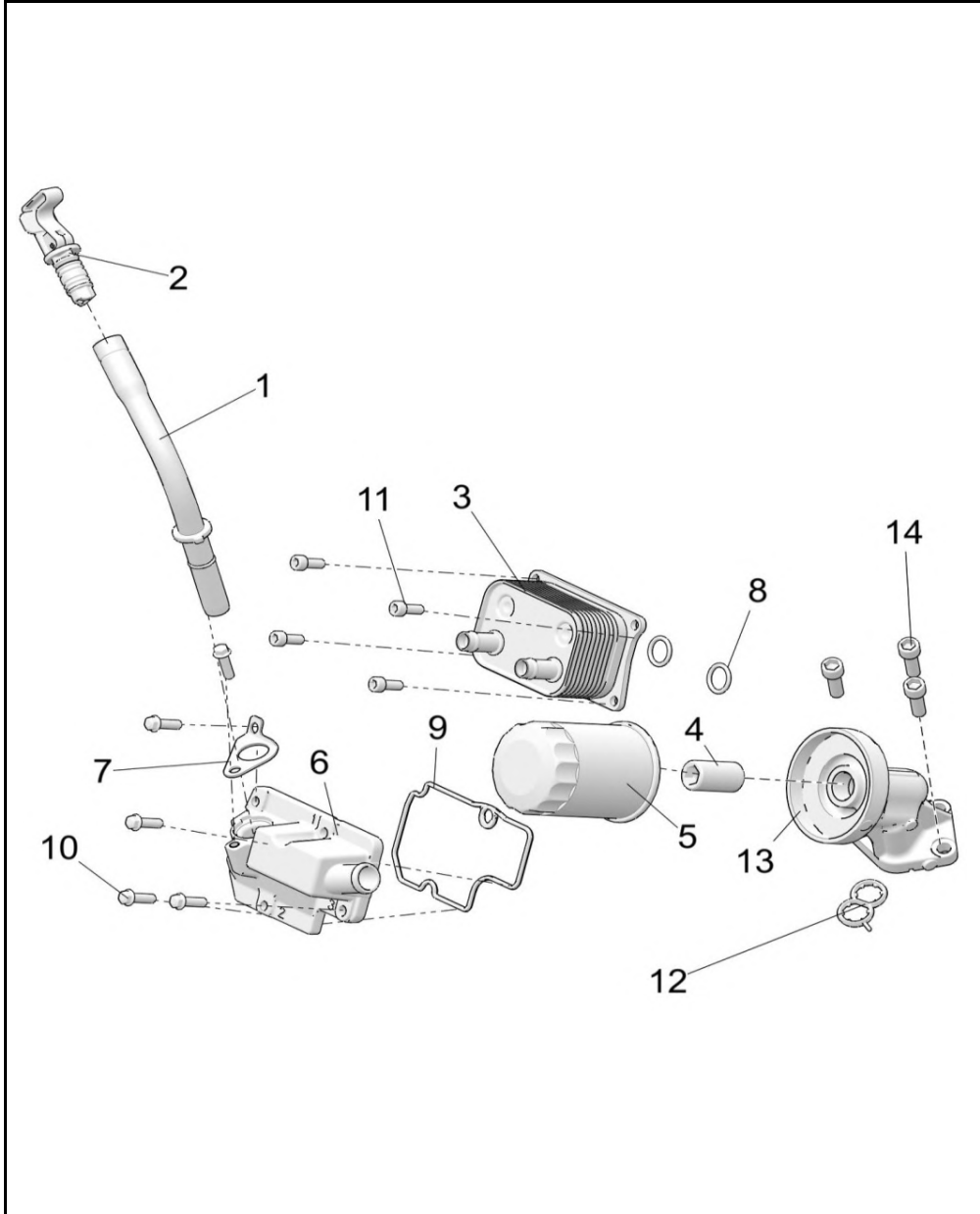
2022 RGR RANGER 1000 FULL SIZE EPS EU TRACTOR ZUG (R03) - R22TAE99FA/SFA/SCA/SCK



POS	SAP	Part Name	Qty
18	<a href="#">1047532</a>	TAPPET, VALVE, GRADED, 4.275	AR
19	<a href="#">1040092</a>	SCR-HXFL,M11X1.25X150 10.9 SEM	6
20	<a href="#">1014449</a>	SCR-HXFLG,M6X1.0X90	2
21	<a href="#">1039764</a>	SCR-M6X1.0X13,SL/HX/FL-Z,BLEED	1
22	<a href="#">1039801</a>	WASHER-FLAT,6.15X12X1MM-AL	1

# ENGINE, DIPSTICK AND OIL FILTER

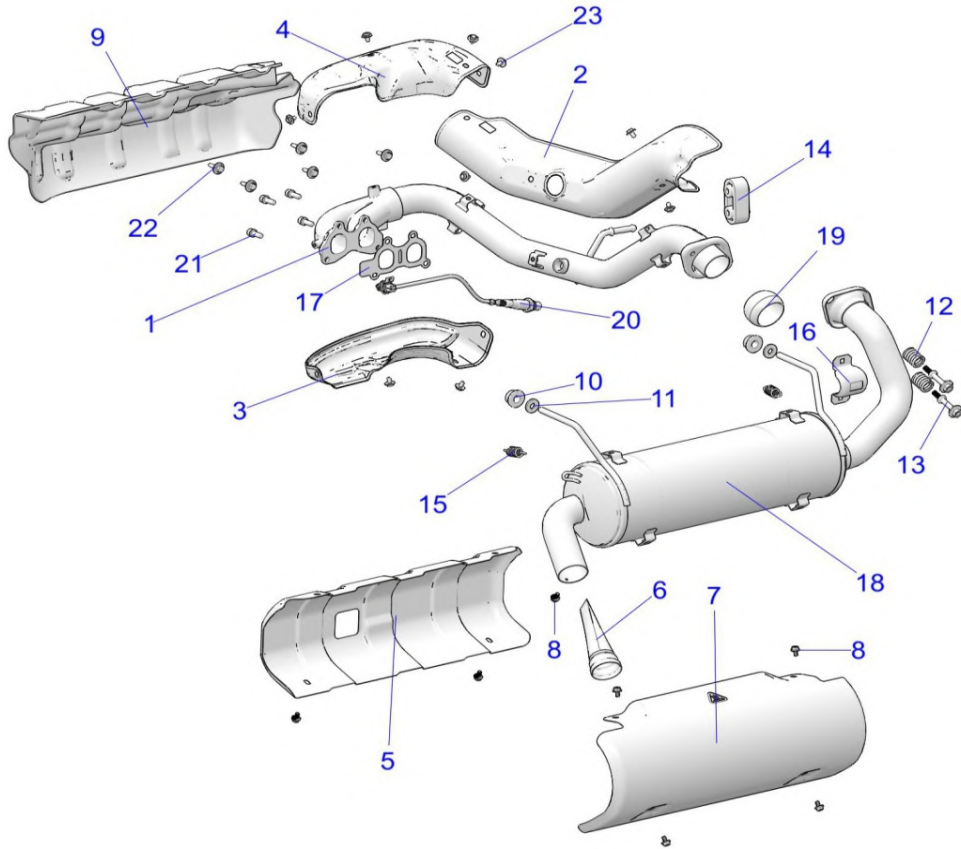
2022 RGR RANGER 1000 FULL SIZE EPS EU TRACTOR ZUG (R03) - R22TAE99FA/SFA/SCA/SCK



POS	SAP	Part Name	Qty
1	<a href="#">1039347</a>	ASM., OIL FILL TUBE [INCL. O-RING]	1
1	<a href="#">1039541</a>	O-RING, 12MMX2MM	1
2	<a href="#">1007016</a>	DIPSTICK, ENGINE OIL	1
3	<a href="#">1040451</a>	COOLER-OIL TO WATER,5	1
4	<a href="#">1039385</a>	ADAPTER, FILTER, STRAIGHT	1
5	<a href="#">1006092</a>	Filter, Oil, 10 Micron	1
5	<a href="#">1040452</a>	FILTER-HD,OIL	1
6	<a href="#">1039502</a>	COVER-BREATHER,MACH	1
7	<a href="#">1039511</a>	BRACKET, TUBE, OIL FILL, LOWER	1
8	<a href="#">1039540</a>	O-RING,.612X.818X.103	2
9	<a href="#">1012352</a>	SEAL, COVER, BREATHER	1
10	<a href="#">1039698</a>	SCREW-HXFL-M6X1.0X20 8.8 ZY3	5
11	<a href="#">1039747</a>	SCREW-SH-M6X1.0X16 8.8 ZPY D204	4
12	<a href="#">1045262</a>	SEAL-FILTER ADAPTER-3HOLE	1
13	<a href="#">1045263</a>	ADAPTER-OIL FILTER, MACH	1
14	<a href="#">1045264</a>	SCR-SH-M8X1.25X25 8.8 ZPC NYL	3

# ENGINE, EXHAUST SYSTEM

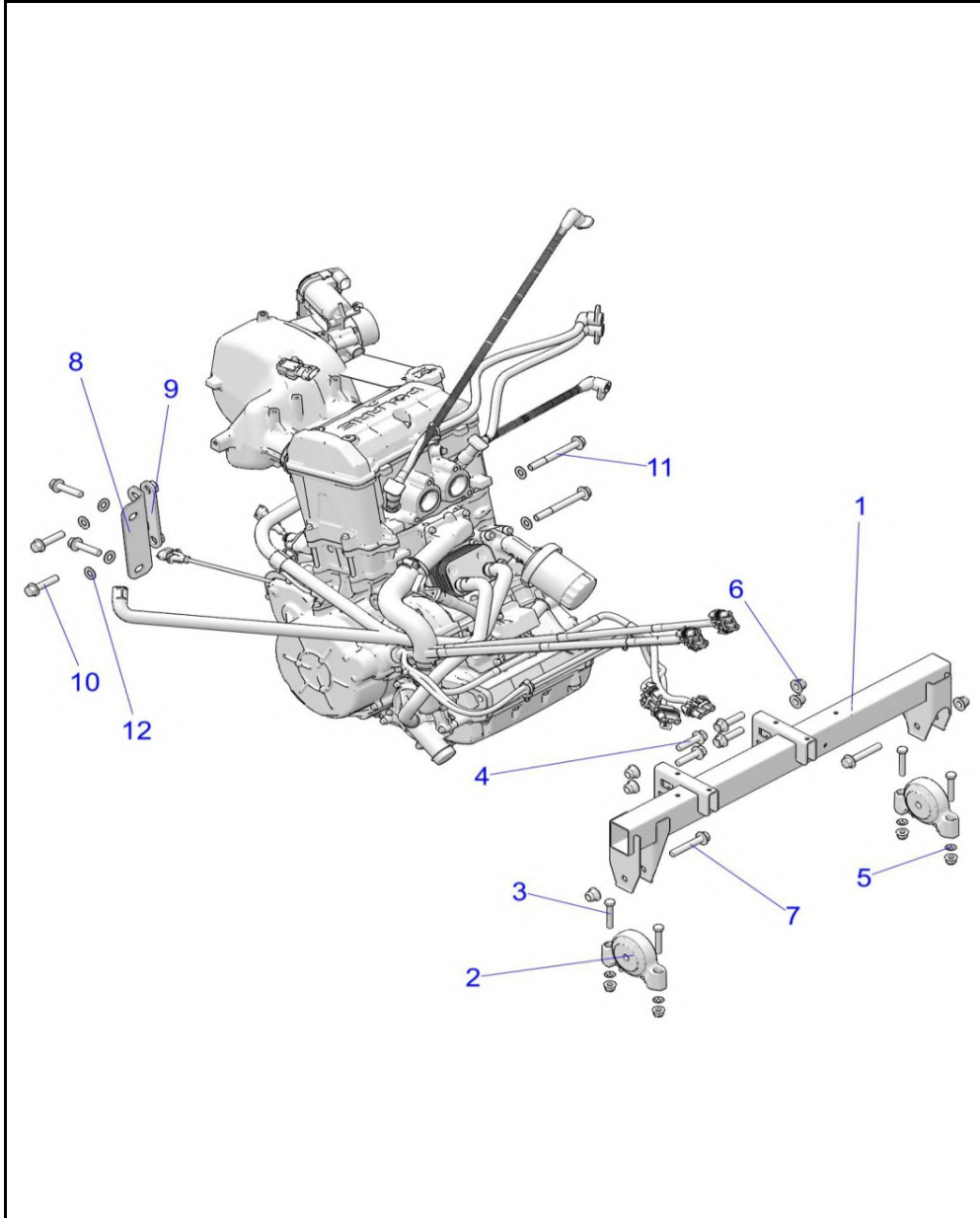
2022 RGR RANGER 1000 FULL SIZE EPS EU TRACTOR ZUG (R03) - R22TAE99FA/SFA/SCA/SCK



POS	SAP	Part Name	Qty
1	1047533	ASM-HEADPIPE [INCL. 2-4]	1
2	1047534	SHIELD-HEAT,SILENCER,INNER	1
3	1047535	SHIELD-HEAT,HEADPIPE,FRONT,UPR	1
4	1047536	SHIELD-HEAT,HEADPIPE,FRONT,UPR	1
5	1047537	SHIELD-HEAT,SILENCER,INNER	1
6	1047538	WELD-SPARK ARRESTOR	1
7	1047539	SHIELD-HEAT,SILENCER,OUTER	1
8	1047540	SCR-HXFL-M6X1.0X10 8.8	7
9	1047541	SHIELD-HEAT,CLOSEOFF	1
10	1047542	ISOLATOR-EXHAUST,HANGER,HD	2
11	1045269	WASHER-.406X1.00X.125,FL	2
12	1014011	SPRING, SPHERICAL, EXHAUST	2
13	1014477	STUD, SPHERICAL, EXHAUST	2
14	1011852	MOUNT, ISOLATOR	1
15	1047543	SPRING-EXHAUST S.S. SHOTPEENED	2
16	1047544	SHIELD-BUSHING,SWAY BAR	1
17	1047545	GASKET-EXHAUST SEAL	1
18	1047546	ASM-SILENCER,RGR [INCL. 5,7]	1
19	1008819	GASKET-DOUBLE SPHERICAL,2"	1
20	1009569	SENSOR, LAMBDA, LSF 4.2	1
21	1039711	SCR-HXFL-M5X0.8X12 4.8 ZPC NYL	6
22	1047547	SCR-HXFL-M6X1.0X25 8.8 ZPB SEM	5
23	1014484	SCR-HHSEMS-M6X1.0X10 A286,LOCK	8

# ENGINE, MOUNTING

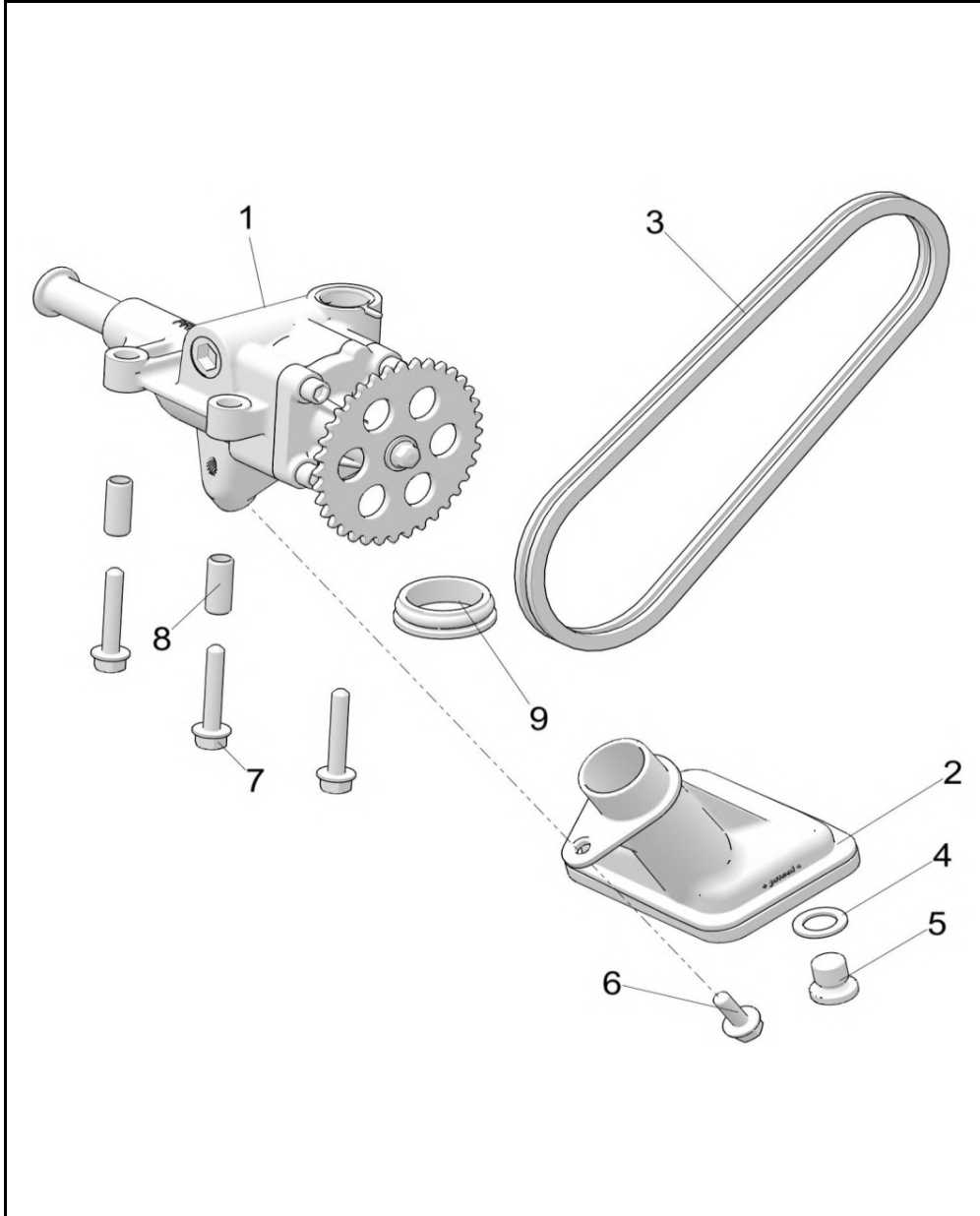
2022 RGR RANGER 1000 FULL SIZE EPS EU TRACTOR ZUG (R03) - R22TAE99FA/SFA/SCA/SCK



POS	SAP	Part Name	Qty
	1047548	K-LONG BLOCK 999	1
1	1040430	WELD-MOUNT,ENGINE,BLK	1
2	1039356	MOUNT, ISOLATOR, DRIVELINE	2
3	1039723	SCREW-HH M8X1.25X45 8.8 ZOD	4
4	1039751	SCR-HXFL-M10X1.25X40 8.8 ZOD	8
5	1039776	NUT-5/16-PAL-Y	4
6	1014500	NUT-M10X1.25, FLG, NYLOC-OLIVE D	6
7	1039694	SCR-HXFL-M10X1.25X60 8.8 ZOD	2
8	1047549	BRACKET, COUPLER, TRANSMISSION	1
9	1039526	WELD-NUT, PLATE	1
10	1047550	SCR-HXFL-M10X1.25X45 8.8 ZOD	4
11	1014442	SCR-HXFL-M10X1.25X95 10.9 ZOD	2
12	1014520	WASHER-3/8 FW SAE STL THRU-HRD	6

# ENGINE, OIL PUMP

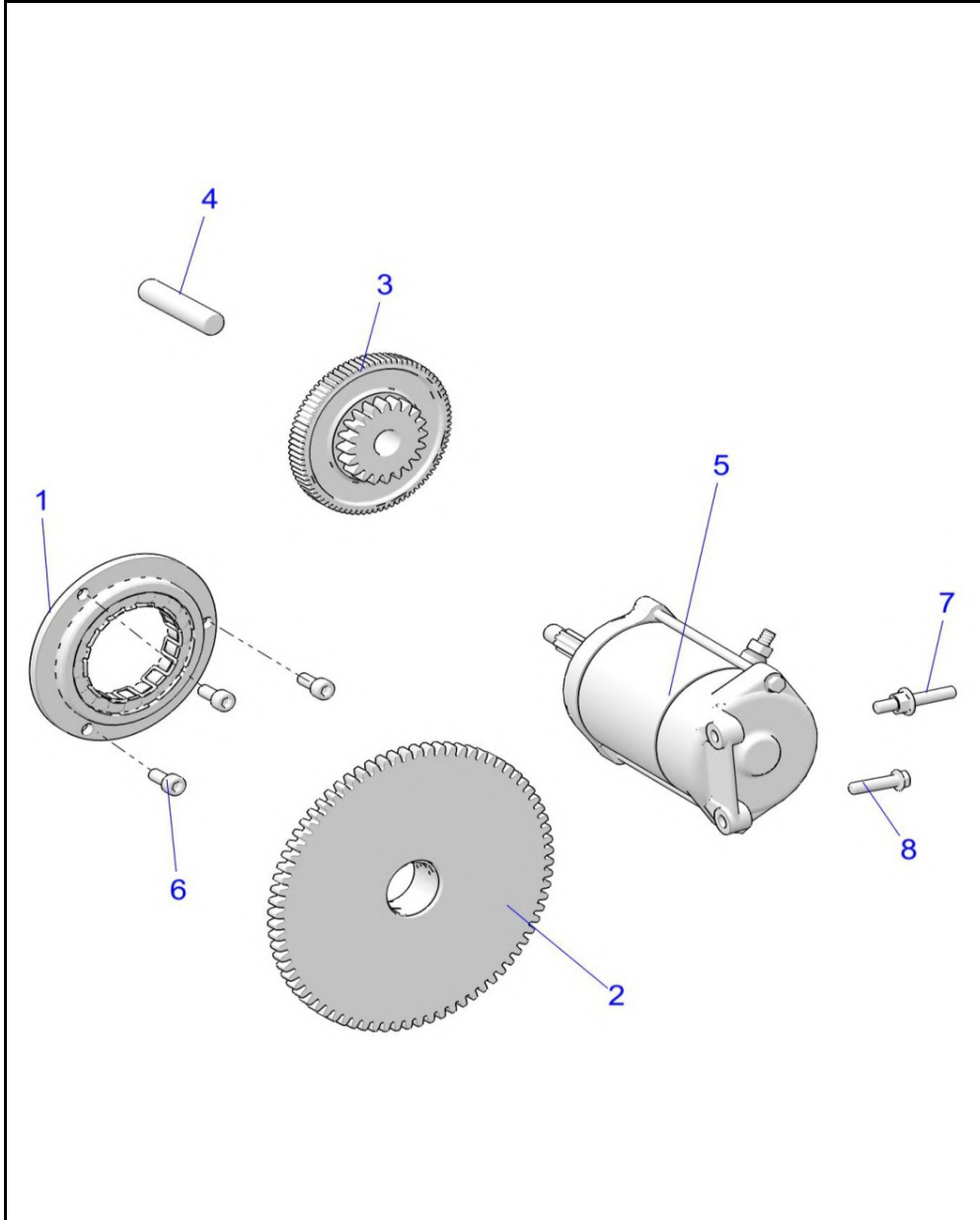
2022 RGR RANGER 1000 FULL SIZE EPS EU TRACTOR ZUG (R03) - R22TAE99FA/SFA/SCA/SCK



POS	SAP	Part Name	Qty
1	<a href="#">1046961</a>	ASM., OIL PUMP, WET SUMP [INCL. SEALS]	1
2	<a href="#">1039386</a>	PICKUP, OIL PUMP, WET SUMP	1
3	<a href="#">1039418</a>	CHAIN-OIL PUMP DRIVE,G-90	1
4	<a href="#">1012351</a>	WASHER-19X12X1.3,COPPER	1
5	<a href="#">1014028</a>	PLUG-SOCKET,M12X1.5 DIN 908A	1
6	<a href="#">1039735</a>	SCR-HXFL-M6X1.0X16 8.8 ZYL NYL	1
7	<a href="#">1039660</a>	SCR-M6X1.0X35,HX/FL-Y/D	3
8	<a href="#">1039811</a>	DOWEL, HOLLOW, OIL PUMP	2
9	-----	SEAL-PICKUP	1

# ENGINE, STARTER

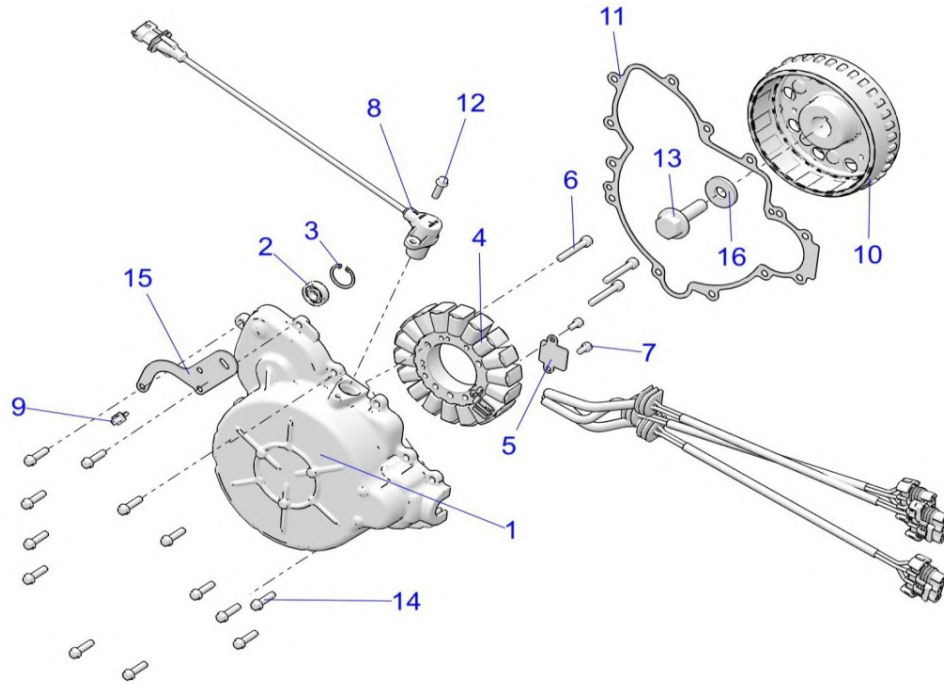
2022 RGR RANGER 1000 FULL SIZE EPS EU TRACTOR ZUG (R03) - R22TAE99FA/SFA/SCA/SCK



POS	SAP	Part Name	Qty
1	<a href="#">1046039</a>	ASM., SPRAG CLUTCH, HUB, STARTER	1
2	<a href="#">1002282</a>	ASM., GEAR, STARTER , CRANK	1
3	<a href="#">1007014</a>	ASM., TORQUE LIMIT GEAR	1
4	<a href="#">1007006</a>	PIN, TORQUE LIMIT GEAR	1
5	<a href="#">1009586</a>	STARTER, 9T, CW, ROT, SPACER	1
6	<a href="#">1014428</a>	SCREW-M6X1.0X14.0,HX/SOC/CP-Y/D	3
7	<a href="#">1039736</a>	STUD-DOUBLE,END,M6X1.0X25/10	1
8	<a href="#">1039744</a>	SCREW-HXFLG,M6X1.0X25,10.9	1

# ENGINE, STATOR AND FLYWHEEL

2022 RGR RANGER 1000 FULL SIZE EPS EU TRACTOR ZUG (R03) - R22TAE99FA/SFA/SCA/SCK

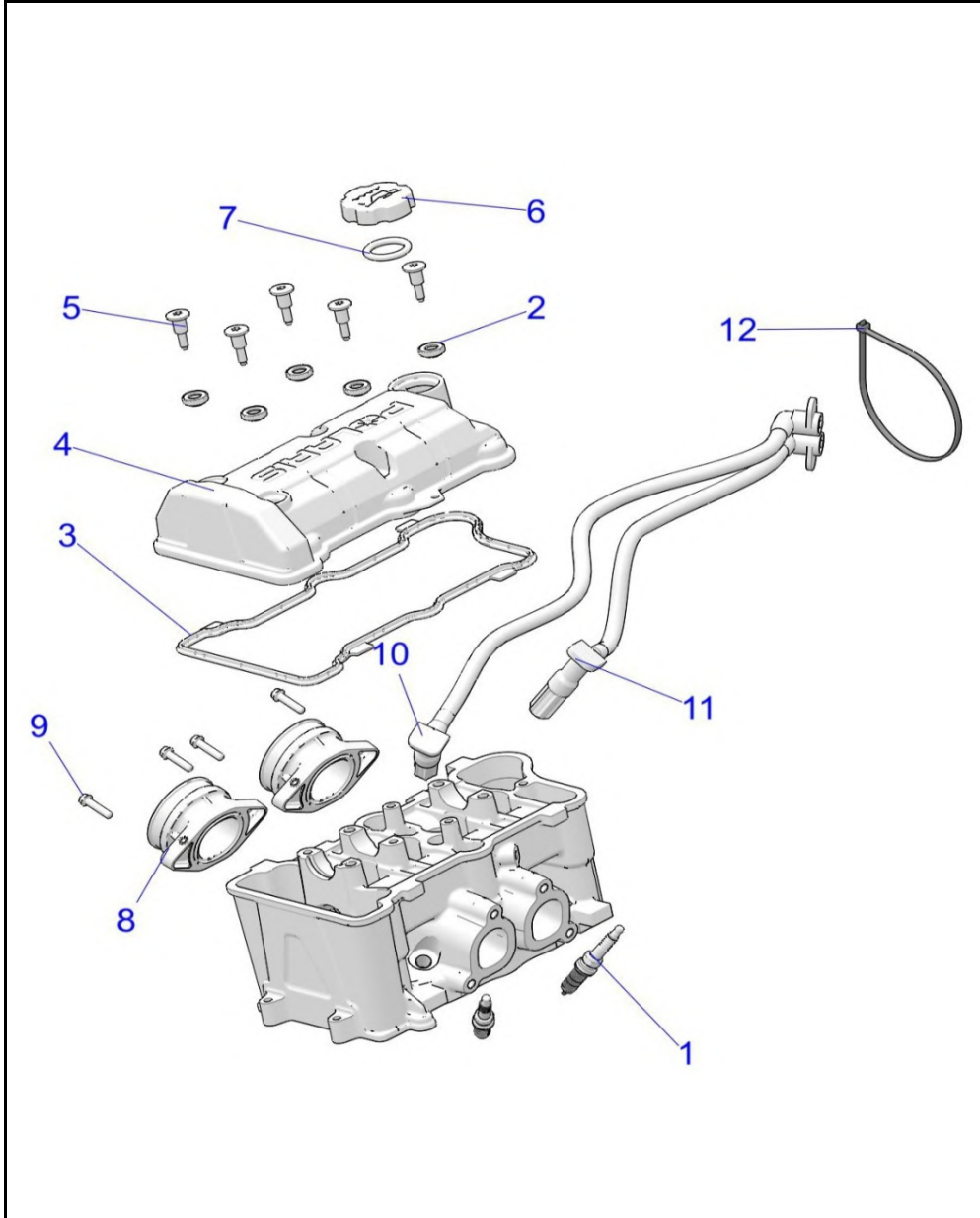


POS	SAP	Part Name	Qty
1	1045276	ASM-IGN COVER,STARTER BRG [INCL. 2,3][FROM 9/27/2021	1
1	1039346	ASM., IGNITION COVER, STARTER BEARING [INCL. 2,3][TO 9/27/2021	1
2	1039484	BEARING-BALL,9X24X7	1
3	1039819	RING-SNAP,DIN472,24X1.2MM	1
4	1009605	STATOR-660W,706MM [E99FA][S99FA][S99CA][TO 3/14/2022]	1
4	1047551	STATOR-660W,706MM [E99FA][S99FA][S99CA][FRM 3/14/2022]	1
4	1047552	STATOR-900W DUAL, 706MM [S99CK][TO 3/14/2022]	1
4	1047553	STATOR-900W DUAL,706MM W/CLIP [S99CK][FRM 3/14/2022]	1
5	1039512	BRACKET, RETAINER, WIRE	1
6	1039653	SCR-M6X1.0X40,HX/SOC/CP-Y/D	3
7	1039665	SCREW-M5X0.8X10 SOC/CP-D	2
8	1005829	SENSOR, CRANK POSITION	1
9	1040407	CLIP-WIRE, 6.35MM	1
10	1046963	FLYWHEEL [E99FA][S99FA][S99CA]	1
10	1047554	FLYWHEEL-900W [S99CK]	1
11	1012355	GASKET, COVER, IGNITION	1
12	1039698	SCREW-HXFL-M6X1.0X20 8.8 ZY3	1
13	1014481	SCREW-HXFL-M12X1.25X43 12.9	1
14	1039744	SCREW-HXFLG,M6X1.0X25,10.9	13
15	1046964	BRACKET, BYPASS HOSE	1
16	1014531	WSHR-32X12X4,HARD	1



# ENGINE, THROTTLE BODY AND VALVE COVER

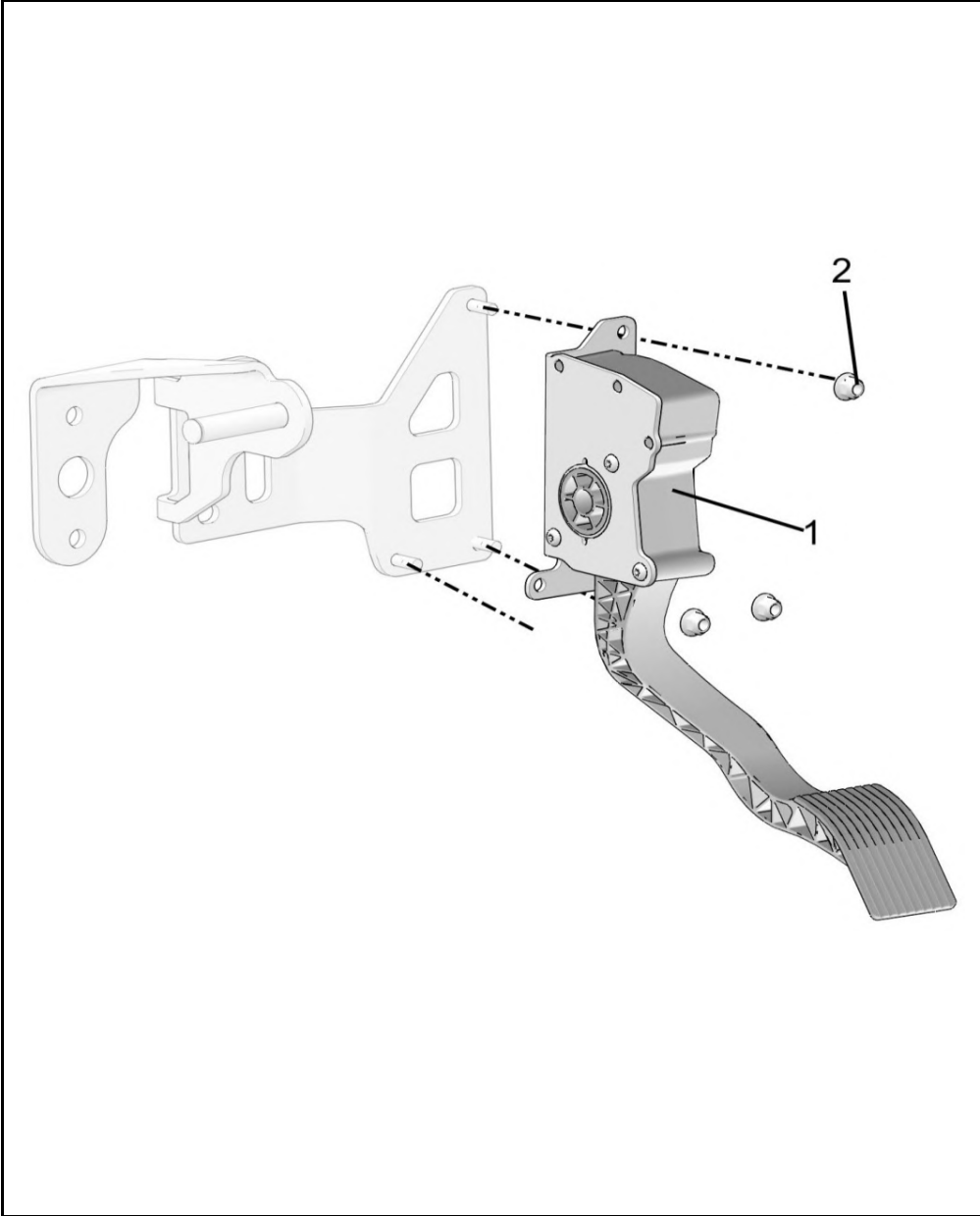
2022 RGR RANGER 1000 FULL SIZE EPS EU TRACTOR ZUG (R03) - R22TAE99FA/SFA/SCA/SCK



POS	SAP	Part Name	Qty
1	1047555	SPARKPLUG-12MM	2
2	1011796	ISOLATOR, VALVE COVER	5
3	1047556	SEAL-VALVE COVER, 2CYL, SOHC	1
4	1047557	COVER-VALVE, CAST, 2CYL, SOHC	1
5	1039730	SCREW-TXPH-M6X1.0X14 8.8 A2K SHB	5
6	1002289	ASM., CAP, OIL FILL [INCL. 7]	1
7	1011803	O-RING, OIL FILL CAP	1
8	1047558	ADAPTER-MANIFOLD	2
9	1039744	SCREW-HXFLG,M6X1.0X25,10.9	4
10	1047559	WIRE-SPARKPLUG, MAG	1
11	1047560	WIRE-SPARKPLUG, PTO	1
12	1014060	CABLE-TIE,10-102MM,WEATH.-RES.	1

# ENGINE, THROTTLE PEDAL

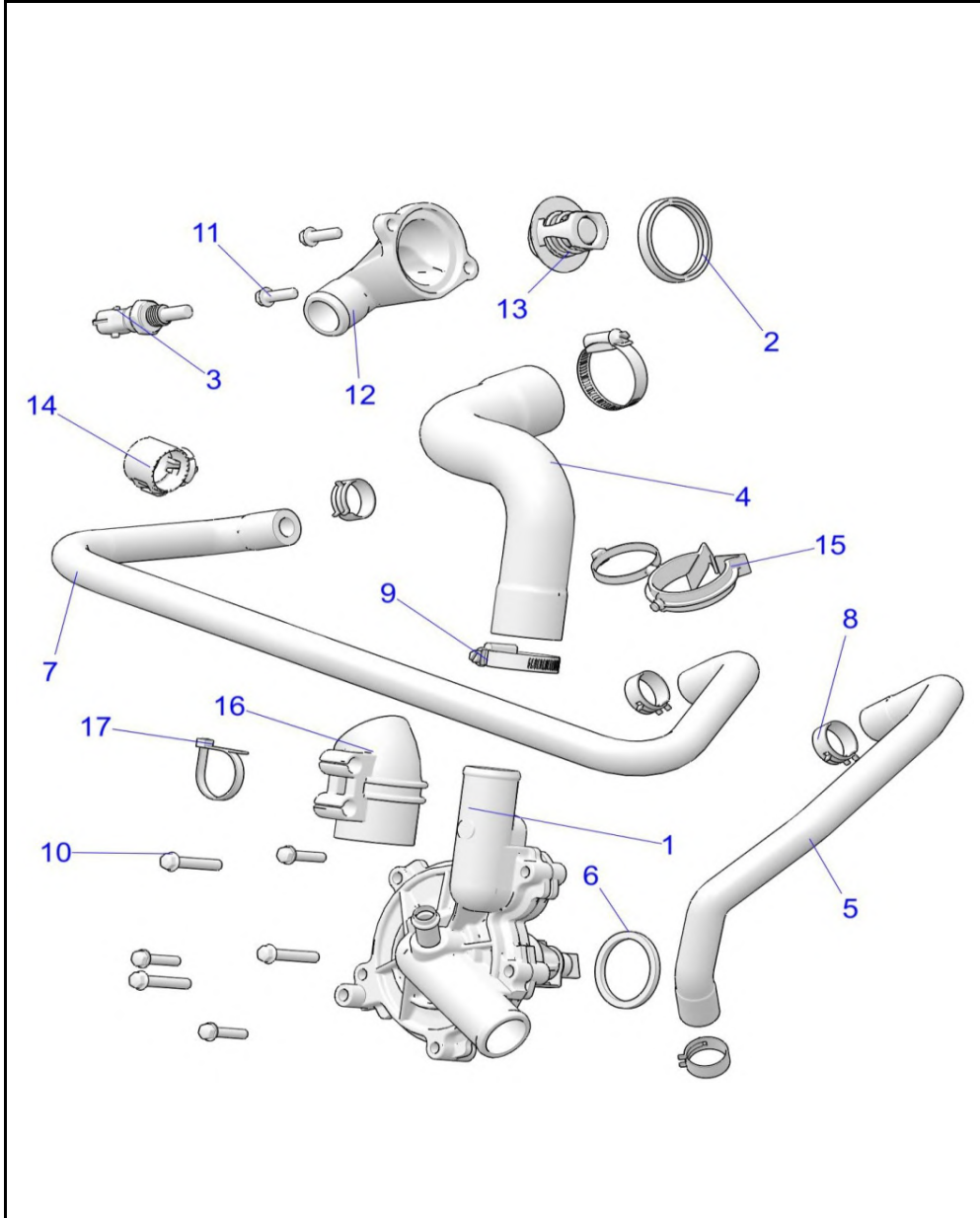
2022 RGR RANGER 1000 FULL SIZE EPS EU TRACTOR ZUG (R03) - R22TAE99FA/SFA/SCA/SCK



POS	SAP	Part Name	Qty
1	<a href="#">1047561</a>	PEDAL, ELECTRONIC THROTTLE	1
2	<a href="#">1014499</a>	NUT- M8X1.25, FLG, NYLOC-OLIVE D	3

# ENGINE, WATERPUMP AND BYPASS

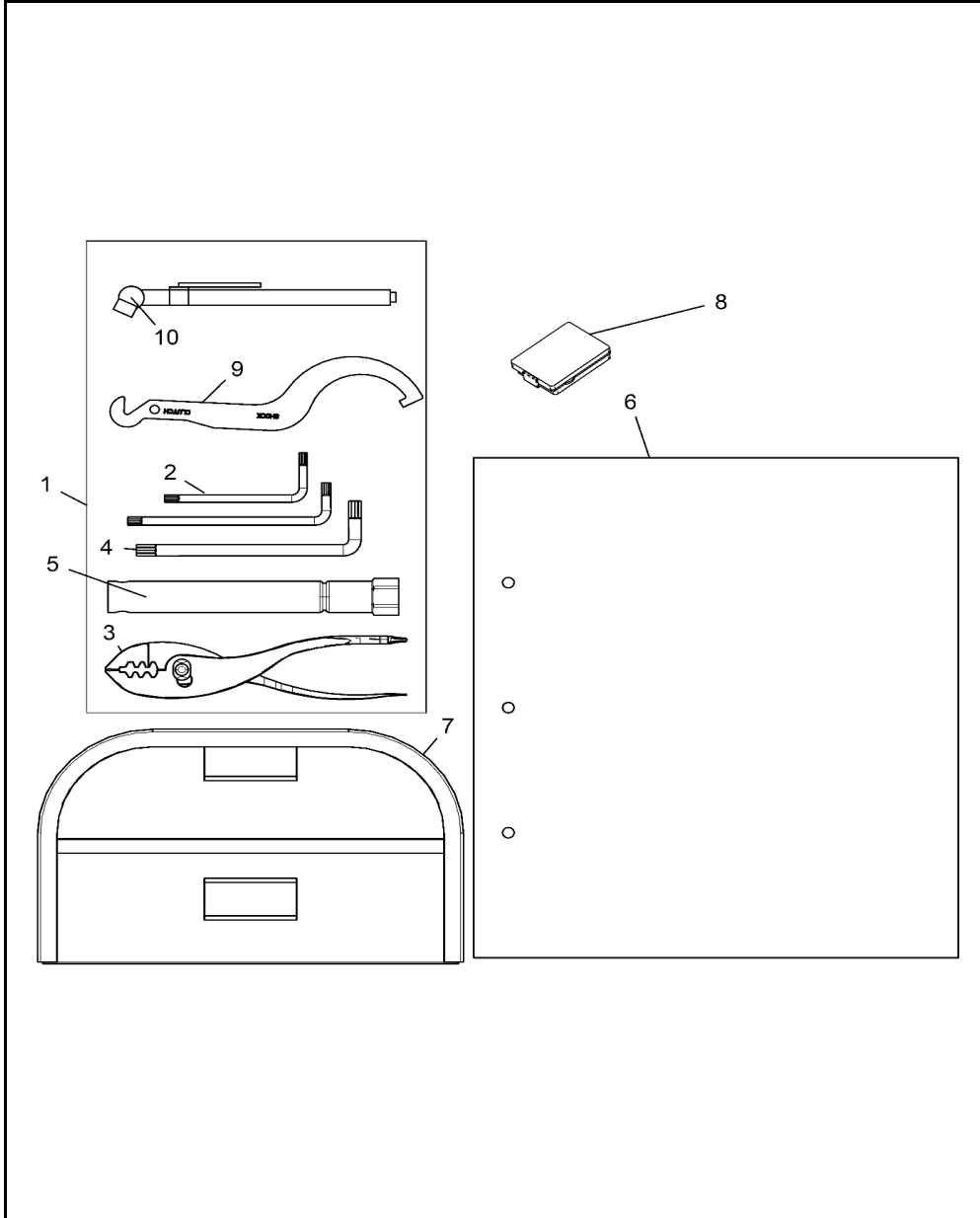
2022 RGR RANGER 1000 FULL SIZE EPS EU TRACTOR ZUG (R03) - R22TAE99FA/SFA/SCA/SCK



POS	SAP	Part Name	Qty
1	1040090	ASM., WATERPUMP	1
2	1011797	SEAL, THERMOSTAT	1
3	1009561	SENSOR, THERMISTER	1
4	1045284	HOSE, WATER PUMP OUT, FORMED	1
5	1045285	HOSE, OIL COOLER OUTLET	1
6	1039601	FILTER, WATER PUMP	1
7	1046965	HOSE, BYPASS LINE	1
8	1039625	CLAMP-HOSE,SPRING .81	4
9	1039628	CLAMP, HOSE (WORM DR) 25-40MM	2
10	1014452	SCR-HXFL-M6X1.0X35, W/PATCHLOK	3
11	1039698	SCREW-HXFL-M6X1.0X20 8.8 ZY3	2
12	1040403	COVER, THERMOSTAT	1
13	1014030	THERMOSTAT-44M FLANGE, 180F	1
14	1040406	CLIP, HOSE	1
15	-----	CLIP-EDGE,DIA31-39MM,OMEGA	1
16	1047562	SUPPORT-STATOR WIRE	1
17	1039612	PANDUIT STRAP	3

# REFERENCES, TOOL KIT and OWNERS MANUALS

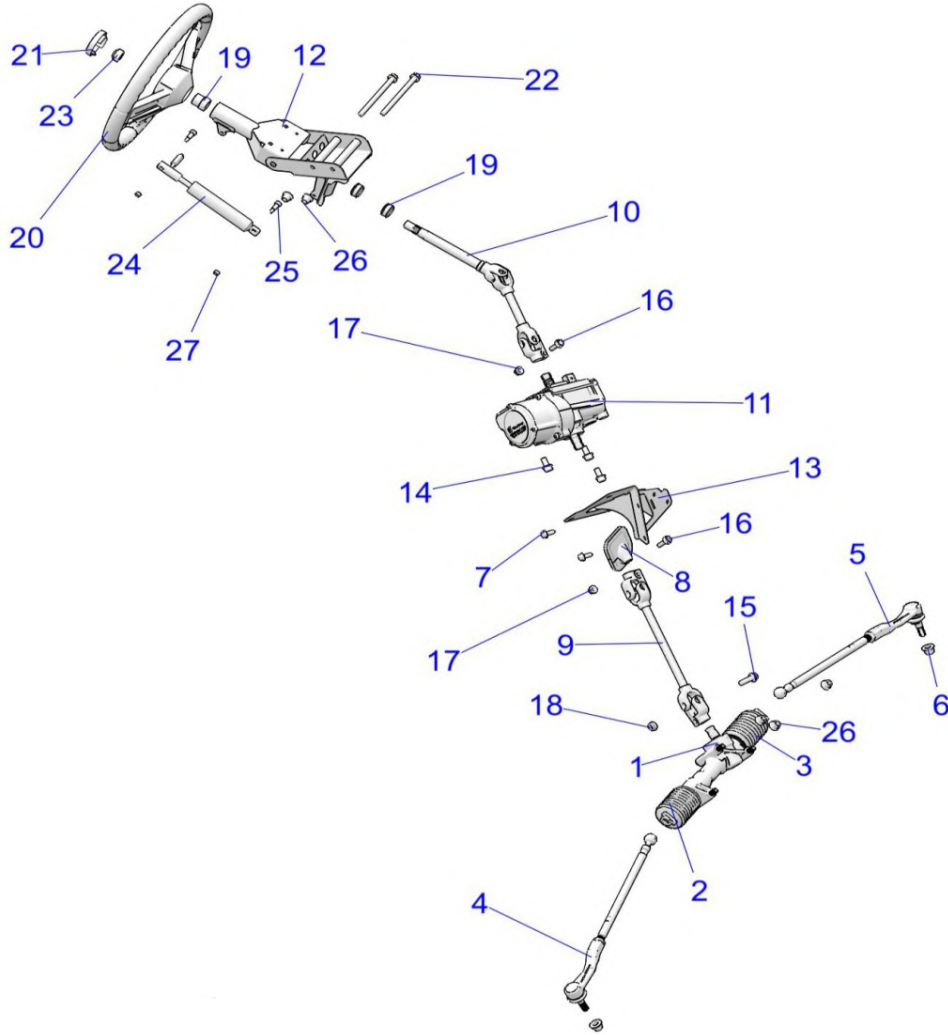
2022 RGR RANGER 1000 FULL SIZE EPS EU TRACTOR ZUG (R03) - R22TAE99FA/SFA/SCA/SCK



POS	SAP	Part Name	Qty
1	<a href="#">1047563</a>	K-ACCESSORY TOOL [INCL. 2-5,8]	1
2	<a href="#">1039400</a>	WRENCH, TORX, T-25	1
3	<a href="#">1039401</a>	PLIERS, COMBO, #2 ASSEMBLY	1
4	<a href="#">1039403</a>	WRENCH, TORX, T-40	1
5	<a href="#">1047564</a>	SOCKET, SPARK PLUG, 14/16MM	1
6	<a href="#">1047565</a>	MAN-OWN, 22 RNG 1000 TR/IS [S99CA][S99CK]	1
6	<a href="#">1047566</a>	MAN-OWN, 22 RNG 1000 EU/ZUG [E99FA]	1
6	<a href="#">1047567</a>	MAN-OWN, 22 RNG 1000 GERMAN [S99FA]	1
7	<a href="#">1039394</a>	POUCH, TOOL KIT, 9 INCH	1
8	<a href="#">1047568</a>	K-SPARE FUSE,GEN	1
9	<a href="#">1046058</a>	WRENCH, SPANNER, CAM, E-COAT	1
10	<a href="#">1039402</a>	GAUGE, TIRE PRESSURE, 30 PSI	1

# STEERING, STEERING ASM.

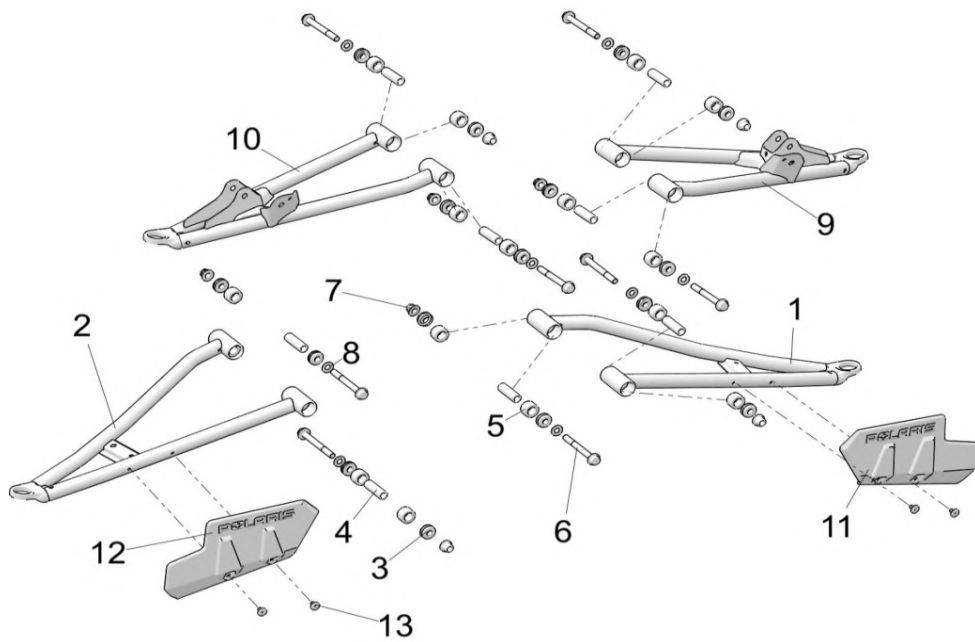
2022 RGR RANGER 1000 FULL SIZE EPS EU TRACTOR ZUG (R03) - R22TAE99FA/SFA/SCA/SCK



POS	SAP	Part Name	Qty
1	1047569	ASM-GEAR BOX,STEERING [INCL. 2-6, QTY 3 of 19]	1
2	-----	LH BELLOWS	1
3	-----	RH BELLOWS	1
4	-----	ROD-END,TAPERED,RH	1
5	-----	ROD-END,TAPERED,LH	1
6	1014501	NUT-M12X1.5, FLG, NYLOC-OLIVE D	2
7	1039688	SCR-TFHFL-M8X1.25X20 CHS ZOD	2
8	1046977	GROMMET-STEERING	1
9	1047570	SHAFT-STEERING LWR,W/JNT,EPAS	1
10	1047571	SHAFT-STEERING,UPPER	1
11	1047572	ASM-POWER STEERING,2.5T,250K	1
12	1047573	ASM-TILT,STEERING,RVTD,M10,BLK	1
13	1046980	MOUNT, EPAS, BLACK	1
14	1039690	BOLT-M10X1.25X20,HXFLG-OLV D	3
15	1039702	SCR-HXFL-M10X1.5X35 8.8 ZPC	1
16	1039716	SCR-HXFL-M8X1.25X35 8.8 ZODv	2
17	1014499	NUT- M8X1.25, FLG, NYLOC-OLIVE D	4
18	1039786	NUT-NY INS,M10X1.5,HEX,ZINC,YW	1
19	1014528	BUSHING-STEERING	2
20	1046981	WHEEL-STEERING, 14"	1
21	1046982	CAP, STEERING WHEEL	1
22	1039703	BOLT-M10X1.25X130,HXFLG-OLIVED	2
23	1039791	NUT-HEX-M16X2, 8 ZC NYL	1
24	1014013	ASM-SHOCK,OIL LOCKING,SHORT	1
25	1039761	BOLT-SHOULDER,M8-15,M6X1.0-BLK	2
26	1039773	NUT-6MM X 1 NYLOK-Z	2
27	1014500	NUT-M10X1.25, FLG, NYLOC-OLIVE D	5

# SUSPENSION, FRONT CONTROL ARMS

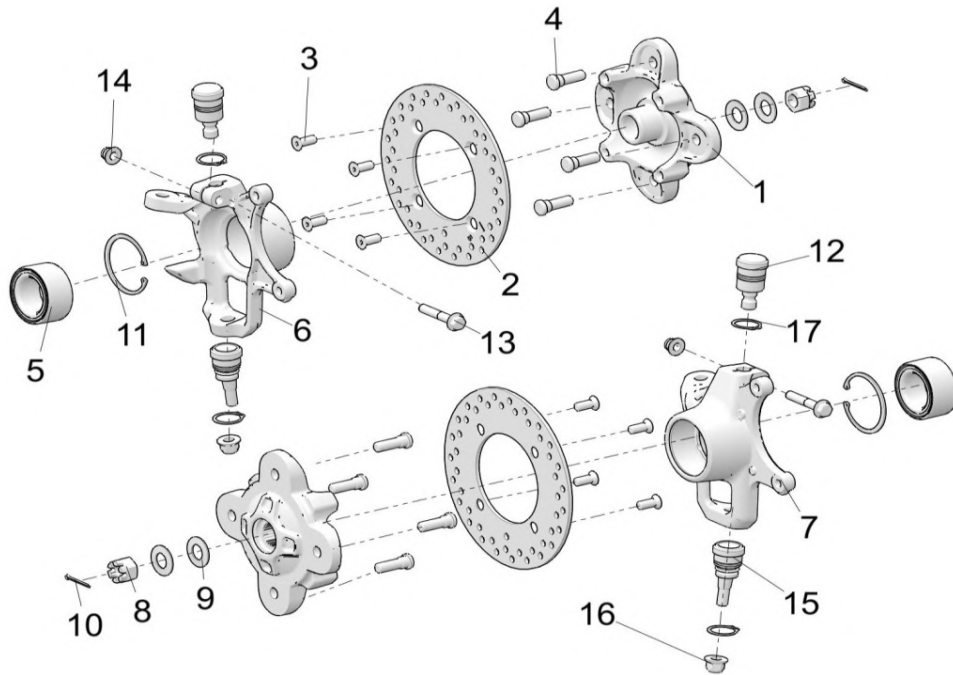
2022 RGR RANGER 1000 FULL SIZE EPS EU TRACTOR ZUG (R03) - R22TAE99FA/SFA/SCA/SCK



POS	SAP	Part Name	Qty
1	<a href="#">1047574</a>	WELD-A-ARM,FRT,LWR,LH,M.BLK	1
2	<a href="#">1047575</a>	WELD-A-ARM,FRT,LWR,RH,M.BLK	1
3	<a href="#">1003527</a>	ASM-PIVOT CAP, SEALED, M12	16
4	<a href="#">1047576</a>	SHAFT-PIVOT,SHORT,M12	8
5	<a href="#">1011926</a>	BUSHING-STANDARD, SUSP, M12	16
6	<a href="#">1014490</a>	SCR-HXFL-M12X1.5X105 10.9 ZOD	8
7	<a href="#">1014500</a>	NUT-M10X1.25, FLG, NYLOC-OLIVE D	8
8	<a href="#">1014524</a>	WSHR-13.0X24.0X2.5 ZPC	8
9	<a href="#">1047577</a>	WELD-A-ARM,FR,UPR,LH,BLK	1
10	<a href="#">1047578</a>	WELD-A-ARM,FR,UPR,RH,BLK	1
11	<a href="#">1011831</a>	SHIELD, CV, FRONT, LH, BLACK	1
12	<a href="#">1011832</a>	SHIELD, CV, FRONT, RH, BLACK	1
13	<a href="#">1014566</a>	RIVET 3/16(.063-.250)ST-ST-LF-B	4

# SUSPENSION, FRONT HUB

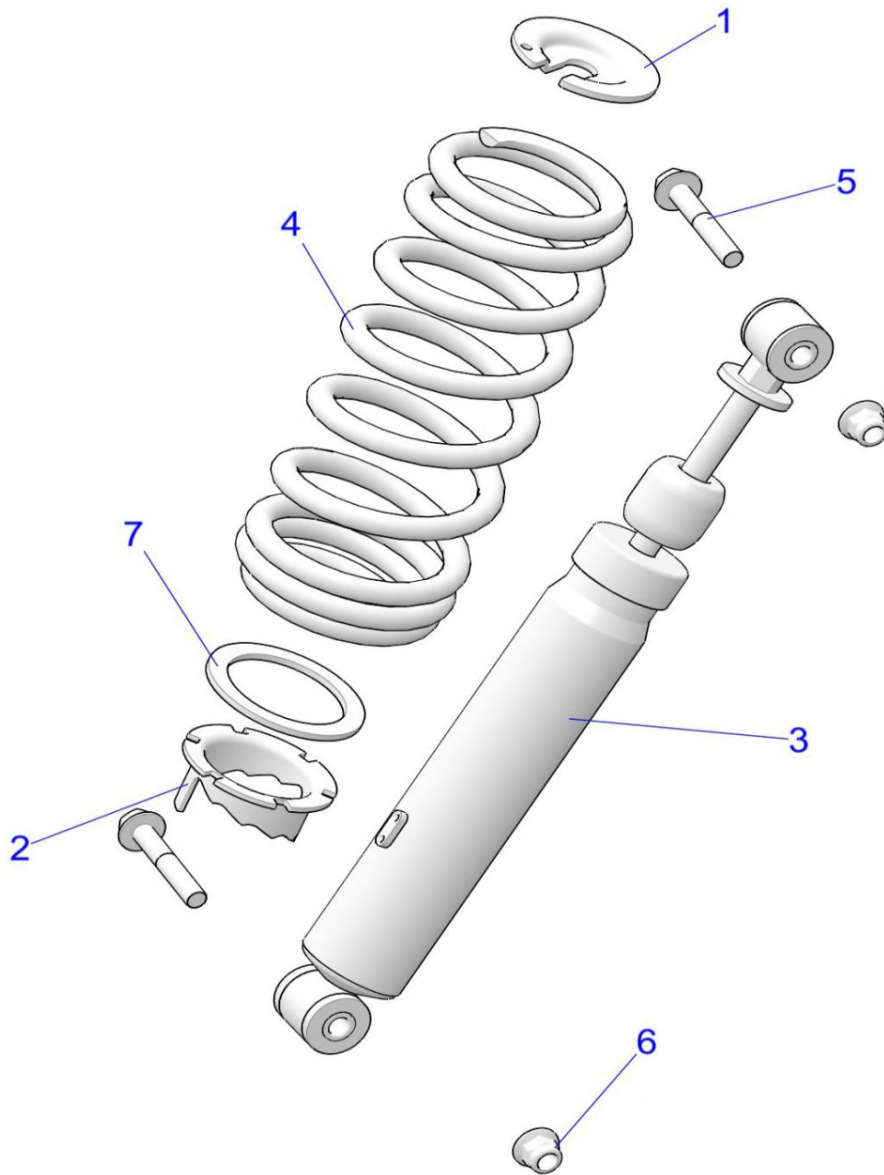
2022 RGR RANGER 1000 FULL SIZE EPS EU TRACTOR ZUG (R03) - R22TAE99FA/SFA/SCA/SCK



POS	SAP	Part Name	Qty
1	<a href="#">1011263</a>	HUB-WHEEL,FRONT MACH,BLK	2
2	<a href="#">1011519</a>	DISC-BRAKE, FRONT	2
3	<a href="#">1014439</a>	SCR-M10X1.5X20 8.8 TXCS FL ZOD	8
4	<a href="#">1014462</a>	STUD-WHEEL,M12-1.5	8
6	<a href="#">1008460</a>	BEARING-BALL,SEALED,44X72X33.1 (HEAVY DUTY)	2
7	<a href="#">1047579</a>	CARRIER-BEARING,FRONT,LH	1
7	<a href="#">1047580</a>	CARRIER-BEARING,FRONT,RH	1
8	<a href="#">1014502</a>	NUT-M18X1.5,CASTLE,ZINC/YELLOW	2
9	<a href="#">1045351</a>	WSHR-BLVL,19X42X4.5-5.08	2
10	<a href="#">1014587</a>	PIN-COTTER 1/8X1 1/2-Y	2
11	<a href="#">1014626</a>	RING, RETAINING, 2.835, INTERNAL	2
12	<a href="#">1037103</a>	BALL-JOINT,HARDENED,HI-MISALGN	2
13	<a href="#">1014454</a>	SCR-HXFL-M10X1.25X60 10.9 ZOD	2
14	<a href="#">1014500</a>	NUT-M10X1.25, FLG, NYLOC-OLIVE D	2
15	<a href="#">1047581</a>	BALL-JOINT	2
16	<a href="#">1014501</a>	NUT-M12X1.5, FLG, NYLOC-OLIVE D	2
17	<a href="#">1014625</a>	RING-RTG,DSH-33ST	4

## SUSPENSION, FRONT SHOCK MOUNTING

2022 RGR RANGER 1000 FULL SIZE EPS EU TRACTOR ZUG (R03) - R22TAE99FA/SFA/SCA/SCK

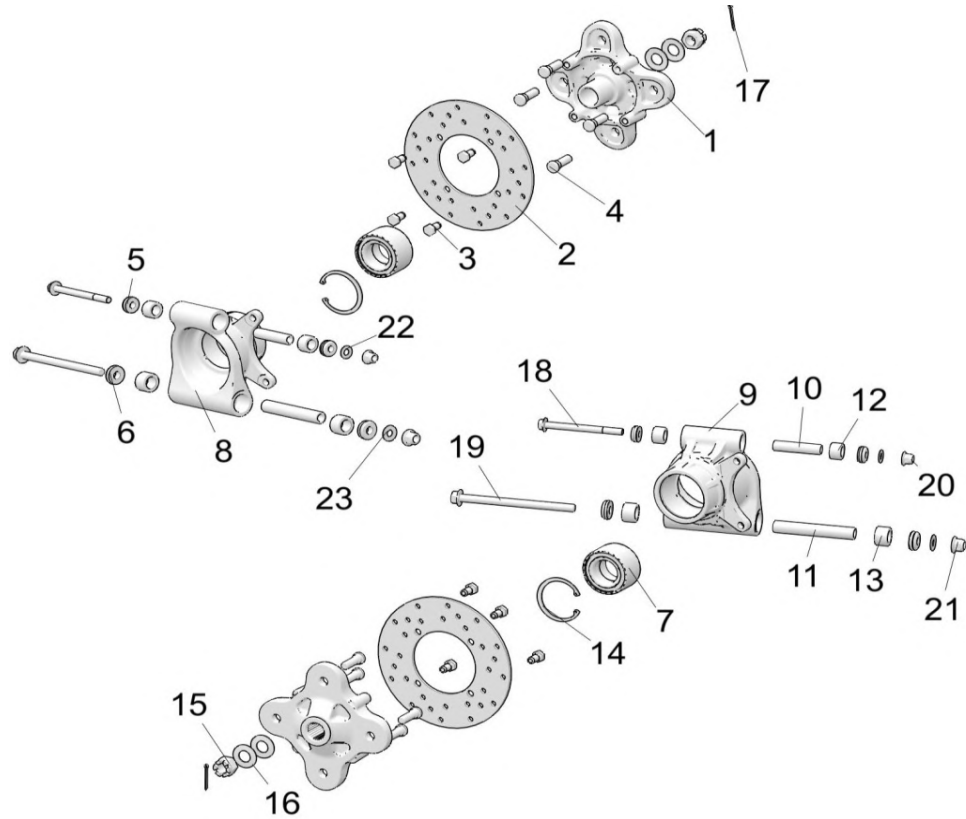


POS	SAP	Part Name	Qty
1	1038646	RETAINER, SPRING, STEEL	2
2	1038647	CAM, ADJUSTING, SPRING, STEEL	2
3	1047582	SHOCK, FRONT	2
4	1047583	SPRING-225#, BLK [E99FA][S99FA][S99CA]	2
4	1047584	SPRING-240#, VELOCITY BLUE [S99CK]	2
5	1014454	SCR-HXFL-M10X1.25X60 10.9 ZOD	4
6	1014500	NUT-M10X1.25, FLG, NYLOC-OLIVE D	4
7	1047585	WASHER-STEEL,75.8X57.7X3.40	2



# SUSPENSION, REAR CARRIER

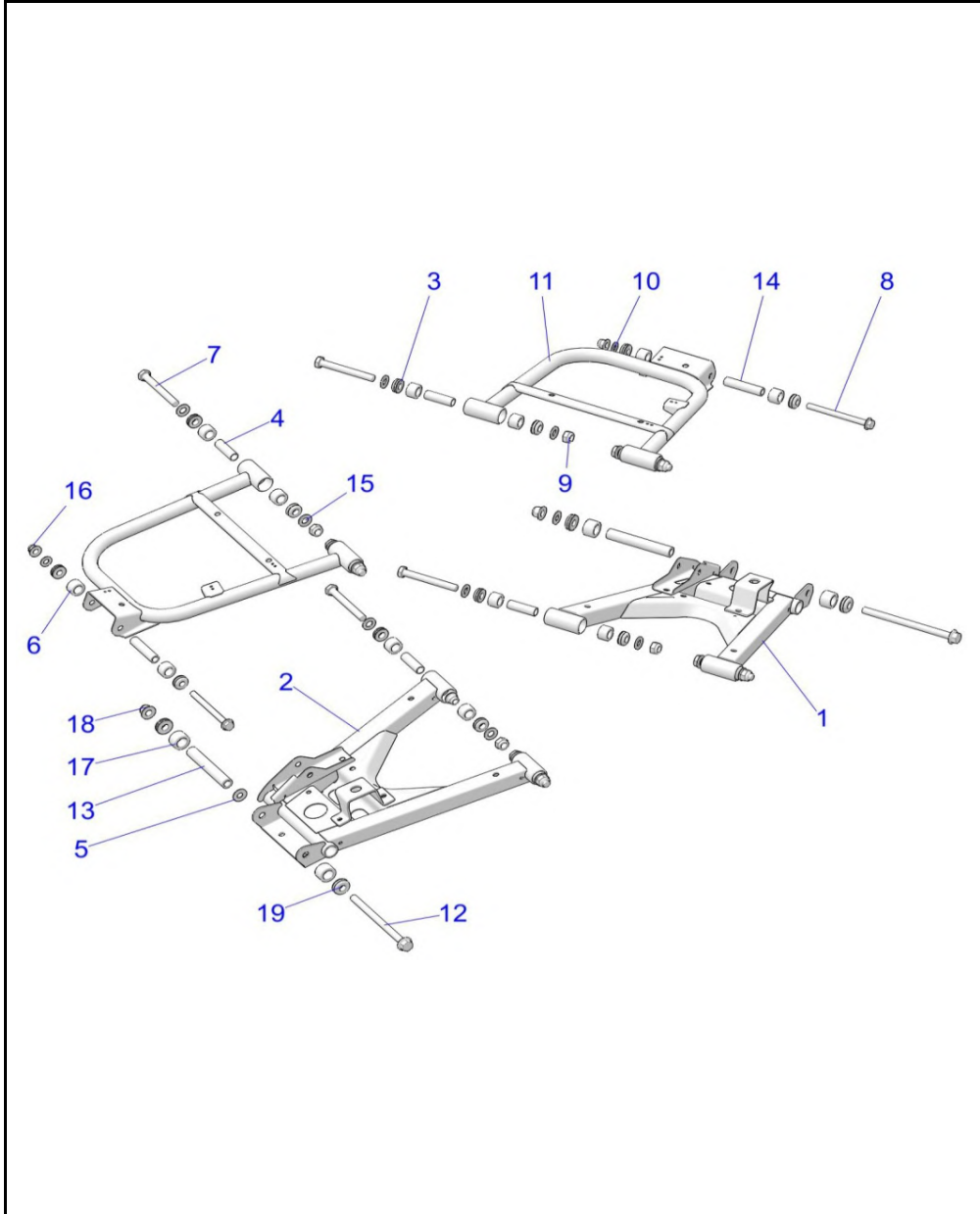
2022 RGR RANGER 1000 FULL SIZE EPS EU TRACTOR ZUG (R03) - R22TAE99FA/SFA/SCA/SCK



POS	SAP	Part Name	Qty
1	1033788	HUB-WHEEL,MACH, BLK	2
2	1011478	DISC-BRAKE,REAR,8.625X.188	2
3	1014455	SCR-M10X1.5X20,8.8 ZY3	8
4	1014462	STUD-WHEEL,M12-1.5	8
5	1003526	ASM-PIVOT CAP, SEALED, M10	4
6	1003527	ASM-PIVOT CAP, SEALED, M12	4
7	1008459	BEARING-WHEEL,40X74X40MM (HEAVY DUTY)	2
8	1011257	CARRIER-BEARING,LH	1
9	1011258	CARRIER-BEARING,RH	1
10	1011218	SHAFT-PIVOT, SHORT, M10	2
11	1011219	SHAFT-PIVOT, LONG, M12	2
12	1011925	BUSHING-STANDARD, SUSP, M10	4
13	1011926	BUSHING-STANDARD, SUSP, M12	4
14	1014620	RING-RETAINING,2.875,INTERNAL	2
15	1014502	NUT-M18X1.5,CASTLE,ZINC/YELLOW	2
16	1045351	WSHR-BLVL,19X42X4.5-5.08	2
17	1014587	PIN-COTTER 1/8X1 1/2-Y	2
18	1014458	SCR-HXFL-M10X1.25X115 10.9 ZOD	2
19	1014485	SCR-HXFL-M12X1.5X170 10.9 ZOD	2
20	1014500	NUT-M10X1.25, FLG, NYLOC-OLIVE D	2
21	1014501	NUT-M12X1.5, FLG, NYLOC-OLIVE D	2
22	1014520	WASHER-3/8 FW SAE STL THRU-HRD	2
23	1014521	WASHER-7/16 SAE,STF,THRU-HRD-Y	2

# SUSPENSION, REAR CONTROL ARMS

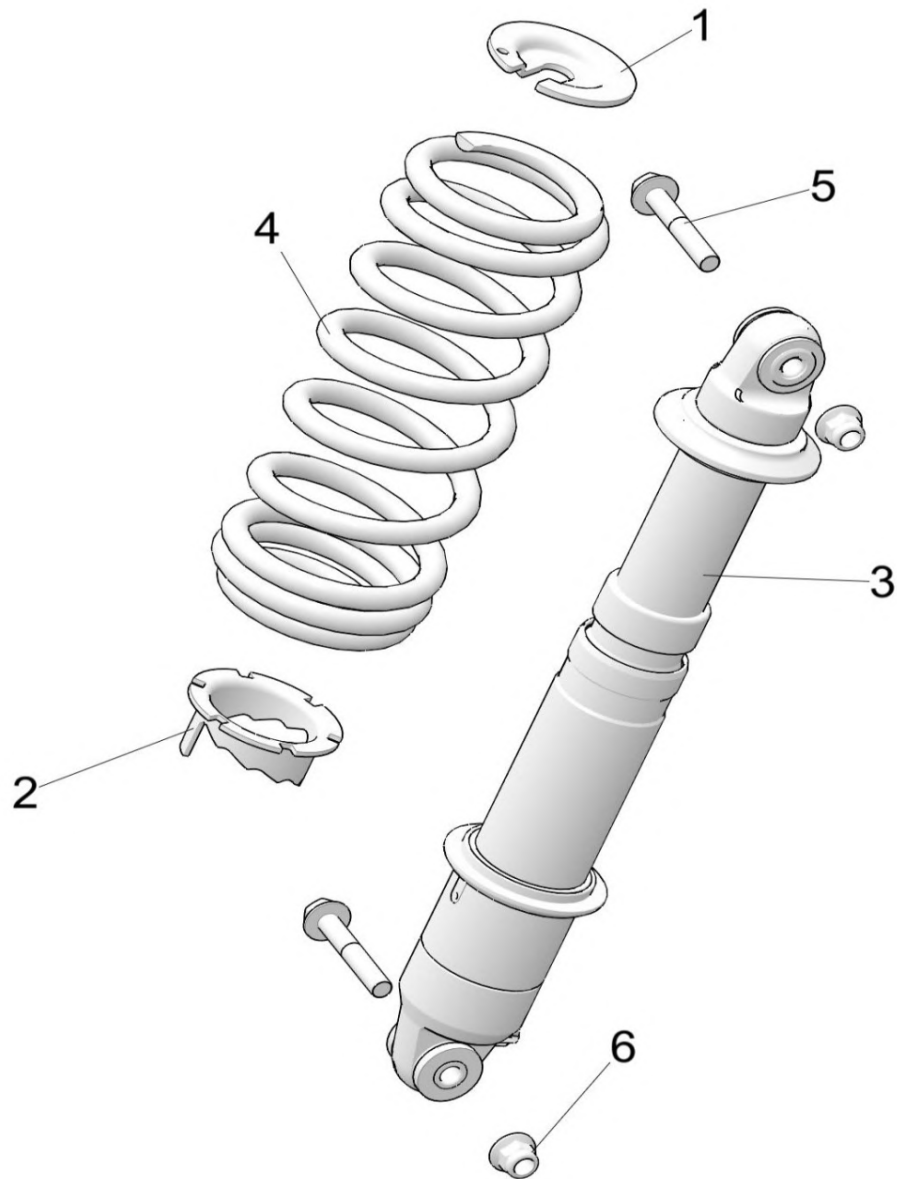
2022 RGR RANGER 1000 FULL SIZE EPS EU TRACTOR ZUG (R03) - R22TAE99FA/SFA/SCA/SCK



POS	SAP	Part Name	Qty
1	1001537	WELD-CONTROL ARM, RR, LWR, LH, BLK	1
2	1001538	WELD-CONTROL ARM, RR, LWR, RH, BLK	1
3	1047586	ASM-PIVOT CAP, SEALED, M12	16
4	1047587	SHAFT-PIVOT, SHORT, M12	8
5	1014521	WASHER-7/16 SAE,STF,THRU-HRD-Y	2
6	1011925	BUSHING-STANDARD, SUSP, M10	16
7	1047588	SCREW-HH-M12X1.75X100 10.9 ZPC	8
8	1014458	SCR-HXFL-M10X1.25X115 10.9 ZOD	2
9	1039769	NUT-NYLOCK, M12X1.75, 0600110	8
10	1014520	WASHER-3/8 FW SAE STL THRU-HRD	10
11	1001535	WELD-CONTROL ARM, RR, UPR, LH, BLK	1
11	1001536	WELD-CONTROL ARM, RR, UPR, RH, BLK	1
12	1014485	SCR-HXFL-M12X1.5X170 10.9 ZOD	2
13	1011219	SHAFT-PIVOT, LONG, M12	1
14	1011218	SHAFT-PIVOT, SHORT, M10	1
15	1014524	WSHR-13.0X24.0X2.5 ZPC	16
16	1014500	NUT-M10X1.25, FLG, NYLOC-OLIVE D	AR
17	1011926	BUSHING-STANDARD, SUSP, M12	4
18	1014501	NUT-M12X1.5, FLG, NYLOC-OLIVE D	2
19	1003527	ASM-PIVOT CAP, SEALED, M12	4

## SUSPENSION, REAR SHOCK MOUNTING

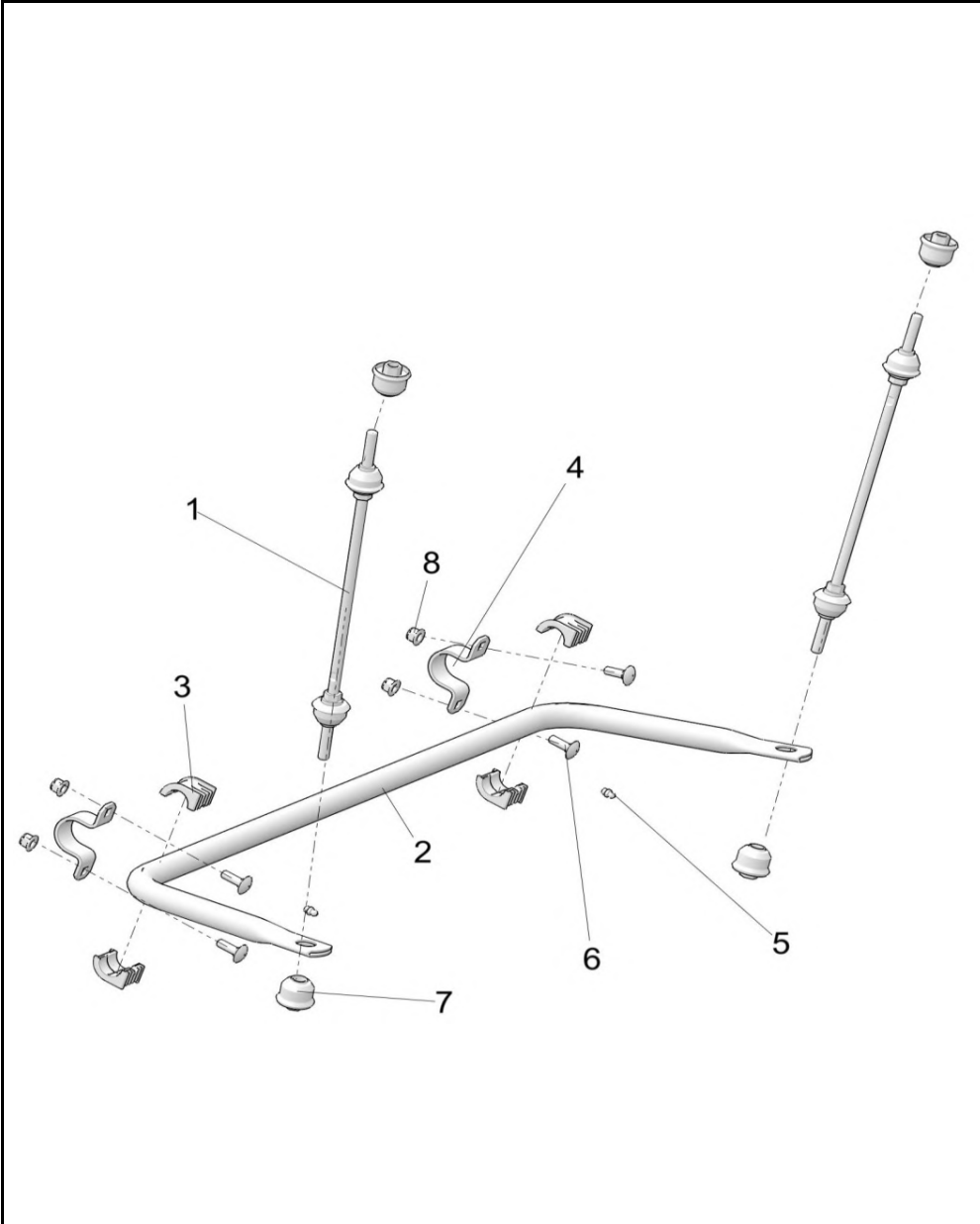
2022 RGR RANGER 1000 FULL SIZE EPS EU TRACTOR ZUG (R03) - R22TAE99FA/SFA/SCA/SCK



POS	SAP	Part Name	Qty
1	<a href="#">1038646</a>	RETAINER, SPRING, STEEL	2
2	<a href="#">1038647</a>	CAM, ADJUSTING, SPRING, STEEL	2
3	<a href="#">1047589</a>	SHOCK, REAR	2
4	<a href="#">1047590</a>	SPRING FRONT 3 SEAT, BLK [E99FA][S99FA][S99CA]	2
4	<a href="#">1047591</a>	SPRING-240#, VELOCITY BLUE [S99CK]	2
5	<a href="#">1014454</a>	SCR-HXFL-M10X1.25X60 10.9 ZOD	4
6	<a href="#">1014500</a>	NUT-M10X1.25, FLG, NYLOC-OLIVE D	4

## SUSPENSION, REAR STABILIZER BAR

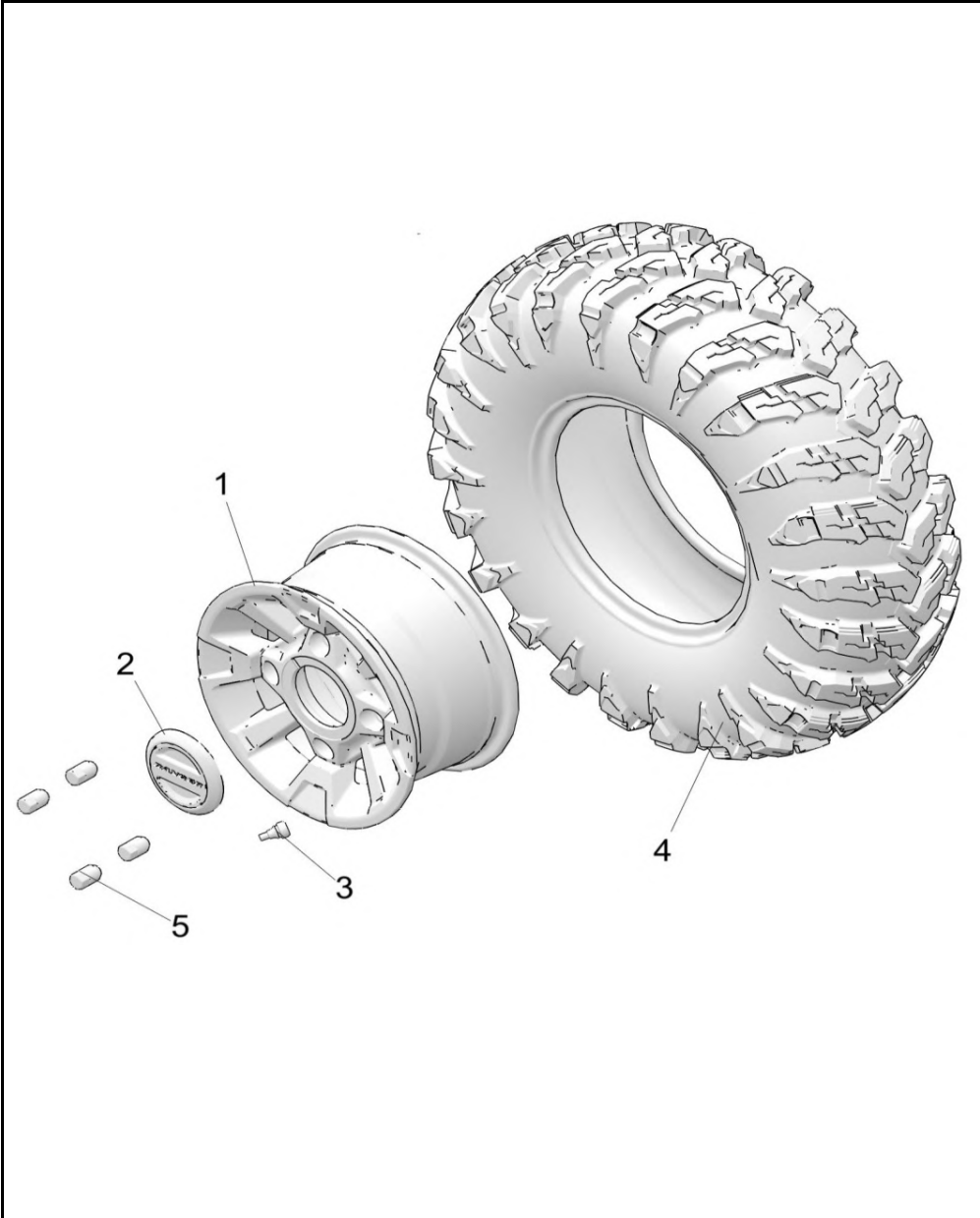
2022 RGR RANGER 1000 FULL SIZE EPS EU TRACTOR ZUG (R03) - R22TAE99FA/SFA/SCA/SCK



POS	SAP	Part Name	Qty
1	<a href="#">1047592</a>	ASM-STABILIZER BAR,M.BLK	1
2	<a href="#">1047593</a>	TUBE-STABILIZER,M.BLK	1
3	<a href="#">1047594</a>	BUSHING-REAR STABILIZER	4
4	<a href="#">1040840</a>	BRKT-BUSHING	2
5	<a href="#">1014056</a>	FITTING-LUB, 1/4-28-STR/1792-Y	2
6	<a href="#">1014486</a>	SCR-RHCAR-M8X1.25X25 10.9 ZB3	4
7	<a href="#">1011813</a>	BUSHING, LINKAGE, TORSION BAR	4
8	<a href="#">1014499</a>	NUT- M8X1.25, FLG, NYLOC-OLIVE D	4

# WHEELS, FRONT

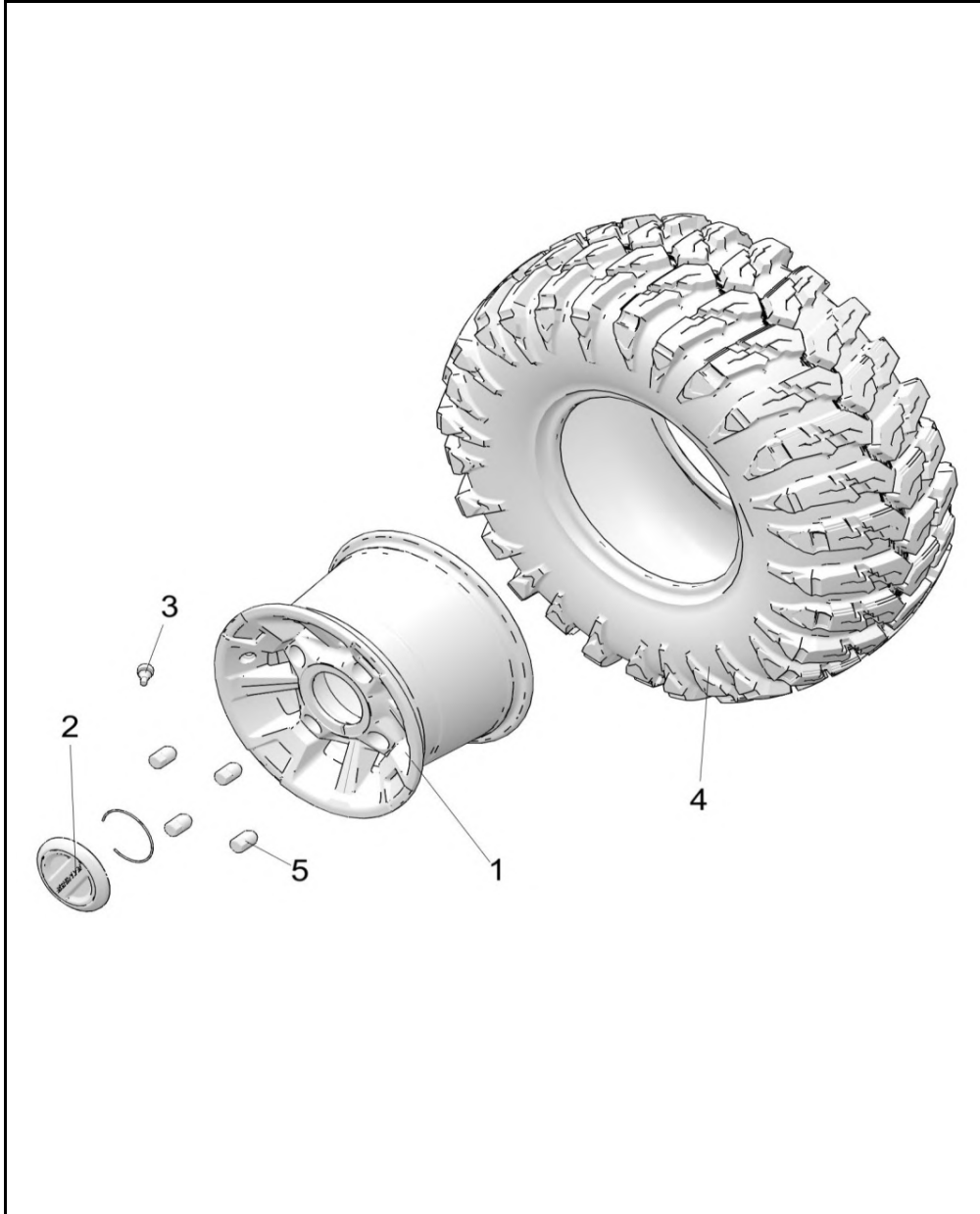
2022 RGR RANGER 1000 FULL SIZE EPS EU TRACTOR ZUG (R03) - R22TAE99FA/SFA/SCA/SCK



POS	SAP	Part Name	Qty
1	<a href="#">1003463</a>	WELD-RIM,FRONT,10 GA,12X6,BLK [E99FA][S99FA][S99CA]	2
1	<a href="#">1047595</a>	RIM-FRONT,12X6,AL,26.20 OFST [S99CK]	1
2	<a href="#">1011793</a>	Hub, Dust Cover, Internal Lip [E99FA][S99FA][S99CA]	2
2	<a href="#">1047598</a>	CAP, RIM [S99CK]	2
3	<a href="#">1003489</a>	VALVE, RIM	2
4	<a href="#">1047596</a>	TIRE-FR,27X9.00-12,MU51,EM [S99CK]	1
4	<a href="#">1046992</a>	TIRE-FR,26X9R12,PXT,E-MARK [E99FA][S99FA][S99CA]	2
5	<a href="#">1046997</a>	NUT-WHEEL,M12X1.5,TAPERED [E99FA][S99FA][S99CA]	8
5	<a href="#">1014505</a>	NUT-WHEEL,M12X1.5,TAPERED [S99CK]	8

# WHEELS, REAR

2022 RGR RANGER 1000 FULL SIZE EPS EU TRACTOR ZUG (R03) - R22TAE99FA/SFA/SCA/SCK



POS	SAP	Part Name	Qty
1	1003462	RIM, REAR, 12X8, 10GA, BLACK [E99FA][S99FA][S99CA]	2
1	1047597	RIM-REAR,12X8,AL,31MMOFST,MBLK [S99CK]	1
2	1011798	COVER, DUST, HUB [E99FA][S99FA][S99CA]	2
2	1047598	CAP, RIM [S99CK]	2
3	1003489	VALVE, RIM	2
4	1047599	TIRE-RR,27X11.00-12,MU52,EM [S99CK]	1
4	1046995	TIRE-RR,26X11R12,PXT,E-MARK [E99FA][S99FA][S99CA]	2
5	1046997	NUT-WHEEL,M12X1.5,TAPERED [E99FA][S99FA][S99CA]	8
5	1014505	NUT-WHEEL,M12X1.5,TAPERED [S99CK]	8

# Accessories



Lock & Ride® Rear Panel, Poly | Part # 2883773



Lock & Ride® Rear Panel, Poly | Part # 2883774



Poly 3-Seat Sport Roof with Lock & Ride Technology, Black | Part # 2882911



Poly Front Door Set with Manual Windows, Black | Part # 2889624

# Accessories



Polycarbonate Full Windshield, Clear | Part # 2883278



Rear Brushguard | Part # 2882529