

# POLARIS

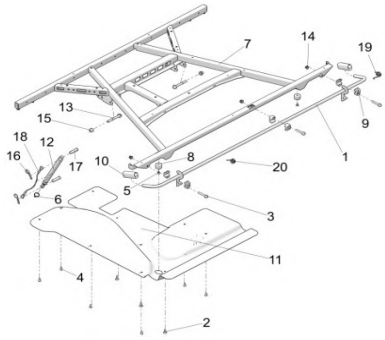
## ***RANGER***

### Parts Catalogue

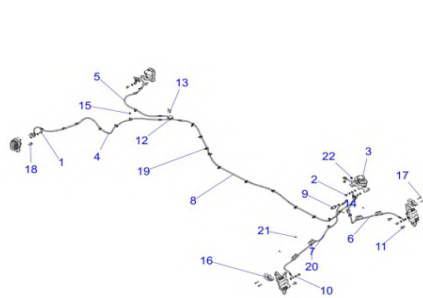


2019 RGR RANGER XP1000 EPS EU/TR/ZUG (R13) - R19RRE99F1/FC/SC1/SCC/SFC/SF1/SJ1/PCC/PFC

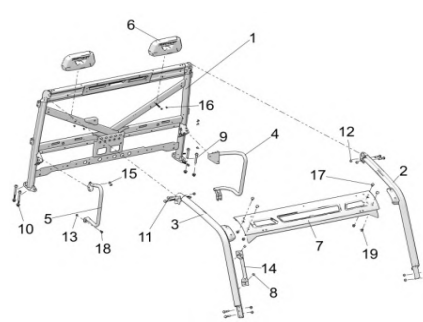
### 1 - BODY



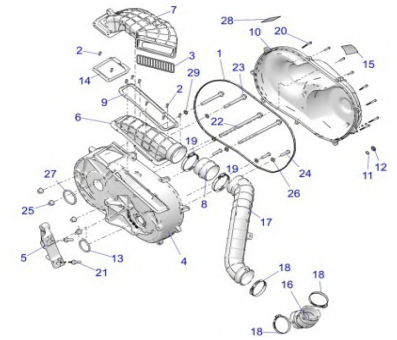
### 2 - BRAKES



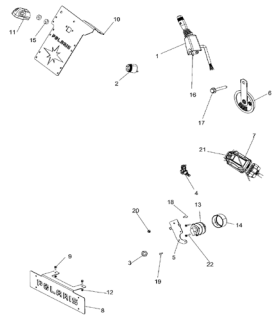
### 3 - CHASSIS



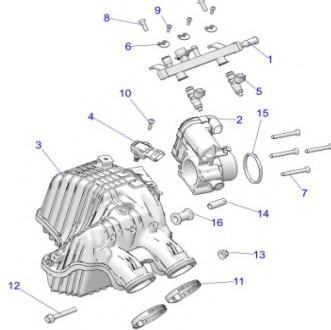
### 4 - DRIVE TRAIN



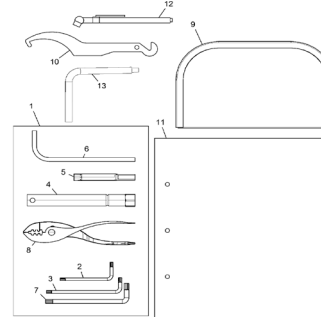
### 5 - ELECTRICAL



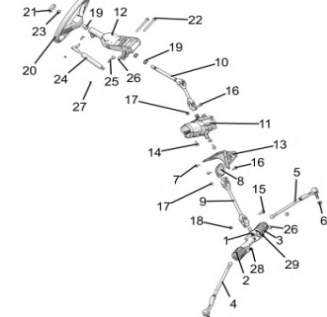
### 6 - ENGINE



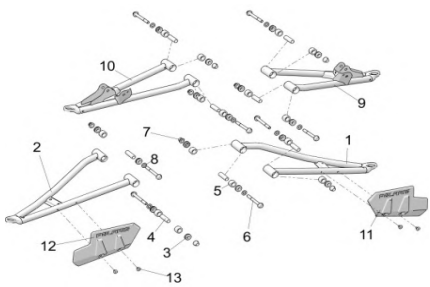
### 7 - OWNERS MANUAL



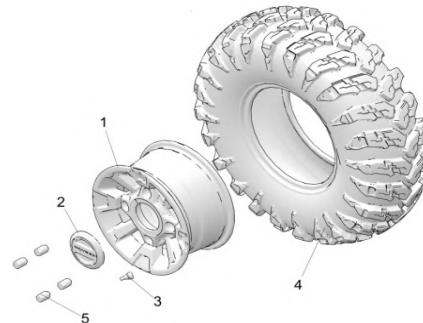
### 8 - STEERING



### 9 - SUSPENSION



### 10 - WHEELS

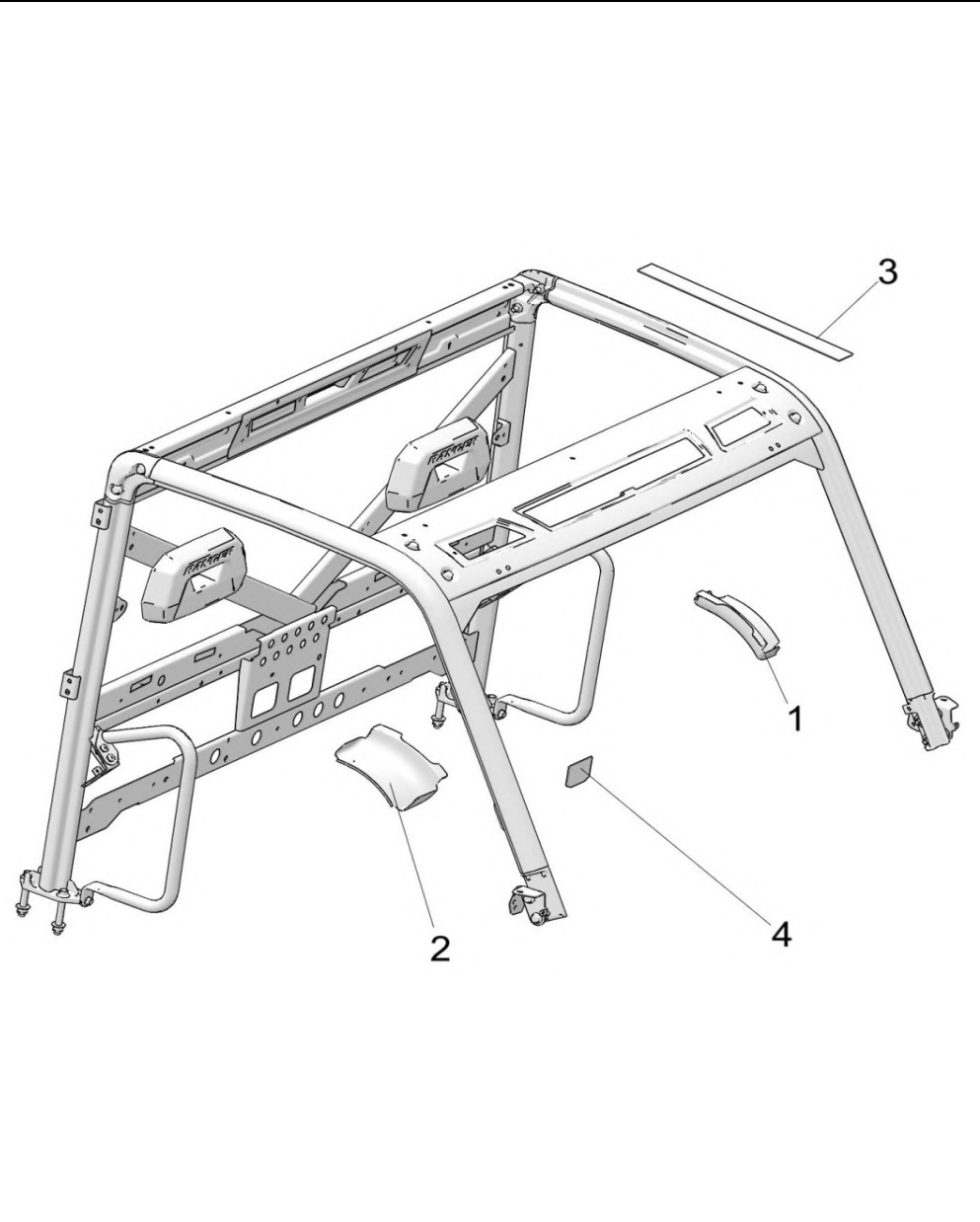


### 11 - ACCESSORIES



# ACCESSORY, EDGE COVERS

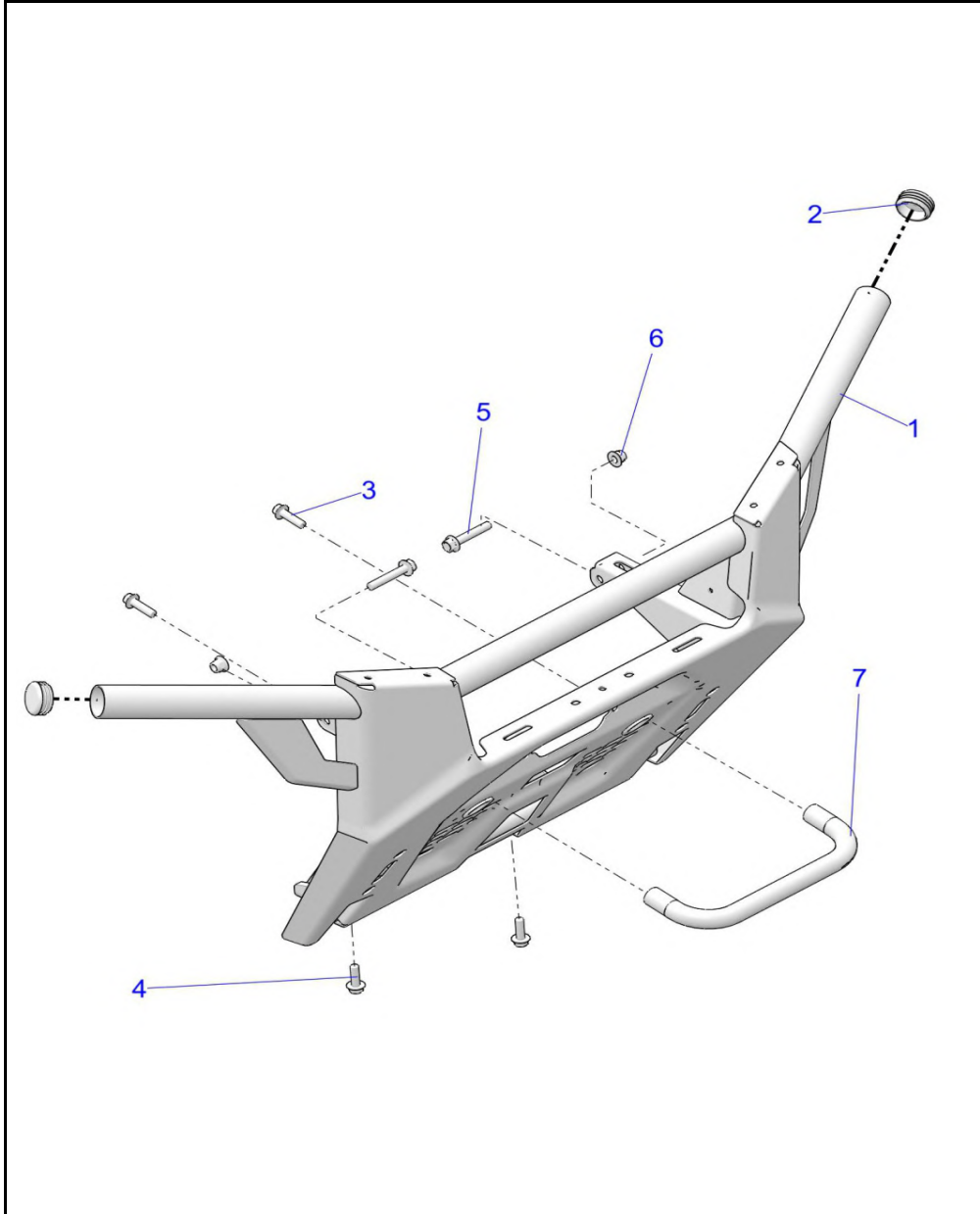
2019 RGR RANGER XP1000 EPS EU/TR/ZUG (R13) - R19RRE99F1/FC/SC1/SCC/SFC/SF1/SJ1/PCC/PFC



POS	SAP	Part Name	Qty
1	1046515	COVER-WS,LH,TR,BLK	1
2	1046516	COVER-WS,RH,TR,BLK	1
3	1040242	PAD-STRAP,43X490	1
4	1046517	PAD-STRAP,75X53	1

# ACCESSORY, FRONT BUMPER

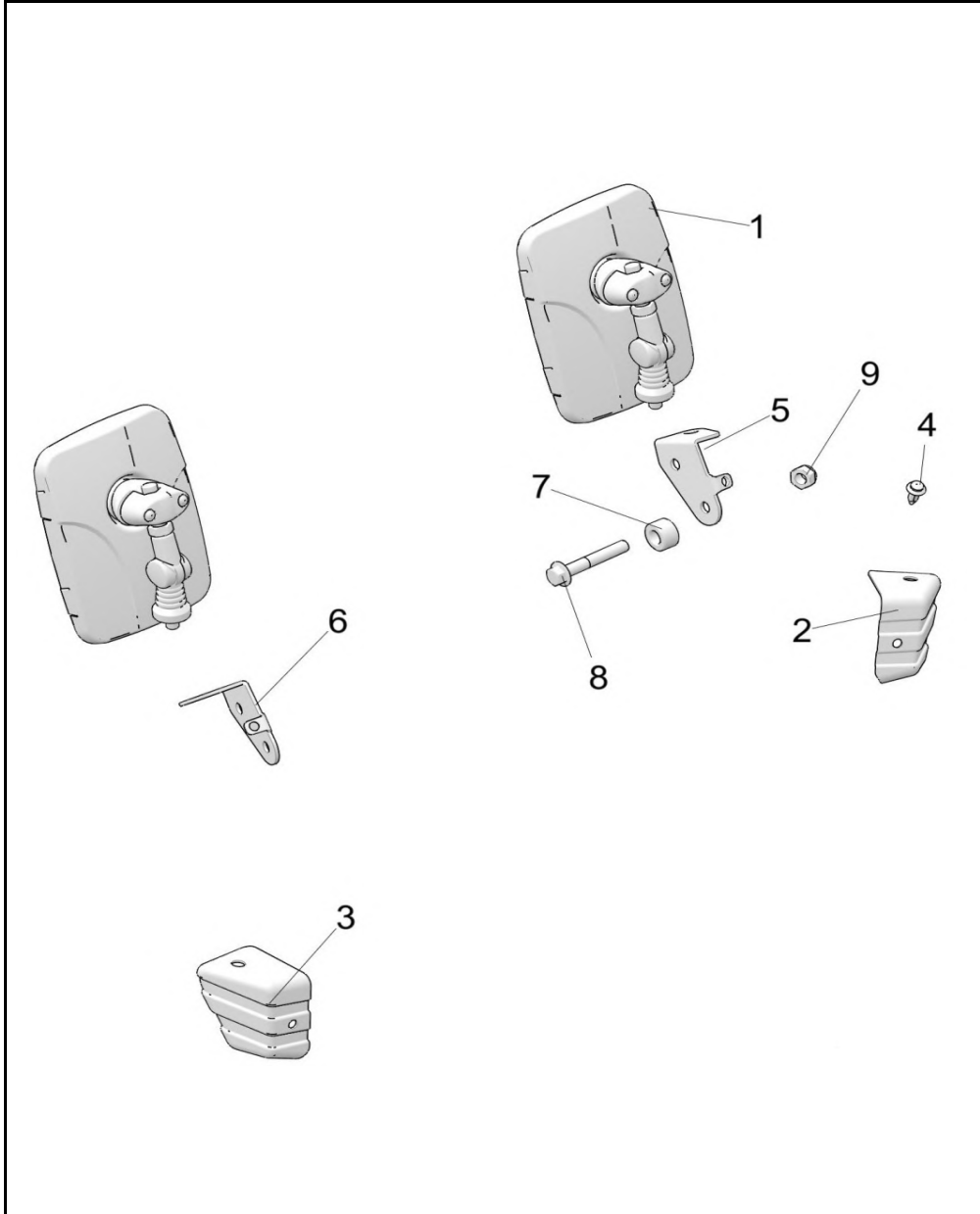
2019 RGR RANGER XP1000 EPS EU/TR/ZUG (R13) - R19RRE99F1/FC/SC1/SCC/SFC/SF1/SJ1/PCC/PFC



POS	SAP	Part Name	Qty
1	1001544	WELD-BUMPER,FRONT,M.BLK	1
2	1011826	CAP-BUMPER	2
3	1046518	SCR-HXFL-M10X1.5X35 8.8 ZPC	2
4	1046519	SCR-HXFL-M10X1.25X30 8.8 ZOD	2
5	1030519	SCR-HXFL-M10X1.25X60,ZOD	2
6	1014500	NUT-M10X1.25,FLG,NYLOC-OLIVE D	4
7	1001556	WELD-CATCH,PLOW,M.BLK [TO 7/29/2019]	1
7	1041411	WELD-CATCH,PLOW,M.BLK [FROM 7/29/2019]	1

# ACCESSORY, MIRRORS

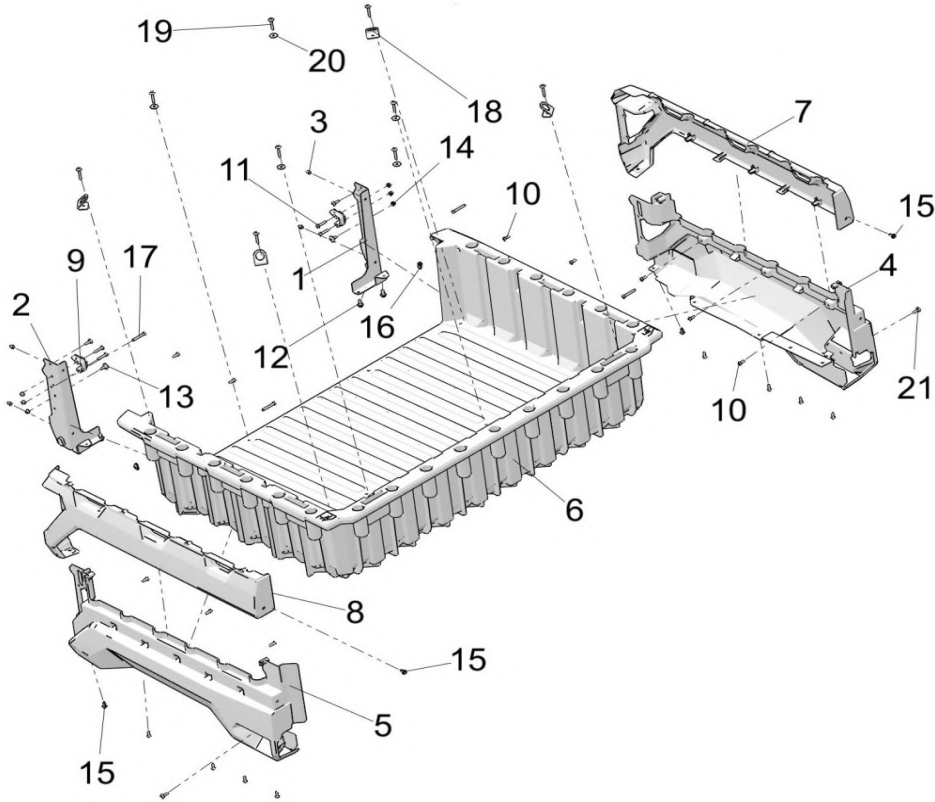
2019 RGR RANGER XP1000 EPS EU/TR/ZUG (R13) - R19RRE99F1/FC/SC1/SCC/SFC/SF1/SJ1/PCC/PFC



POS	SAP	Part Name	Qty
1	<a href="#">1046520</a>	ASM-MIRROR,SET,TRACTOR	1
2	<a href="#">1040566</a>	COVER MIRROR BRACKET LH,BLK	1
3	<a href="#">1046521</a>	COVER MIRROR BRACKET RH,BLK	1
4	<a href="#">1014589</a>	RIVET-TUFLOK,.315-.325X.787	2
5	<a href="#">1046522</a>	BRKT-MIRROR,LH,BLK	1
6	<a href="#">1046523</a>	BRKT-MIRROR,RH,BLK	1
7	<a href="#">1046524</a>	SPACER,BLK	4
8	<a href="#">1014469</a>	SCR-HXFL-M10X1.5X65 10.9 RIE	4
9	<a href="#">1039793</a>	NUT-HEX-M10X1.5 10 ZB3 NYL	4

# BODY, BOX

2019 RGR RANGER XP1000 EPS EU/TR/ZUG (R13) - R19RRE99F1/FC/SC1/SCC/SFC/SF1/SJ1/PCC/PFC

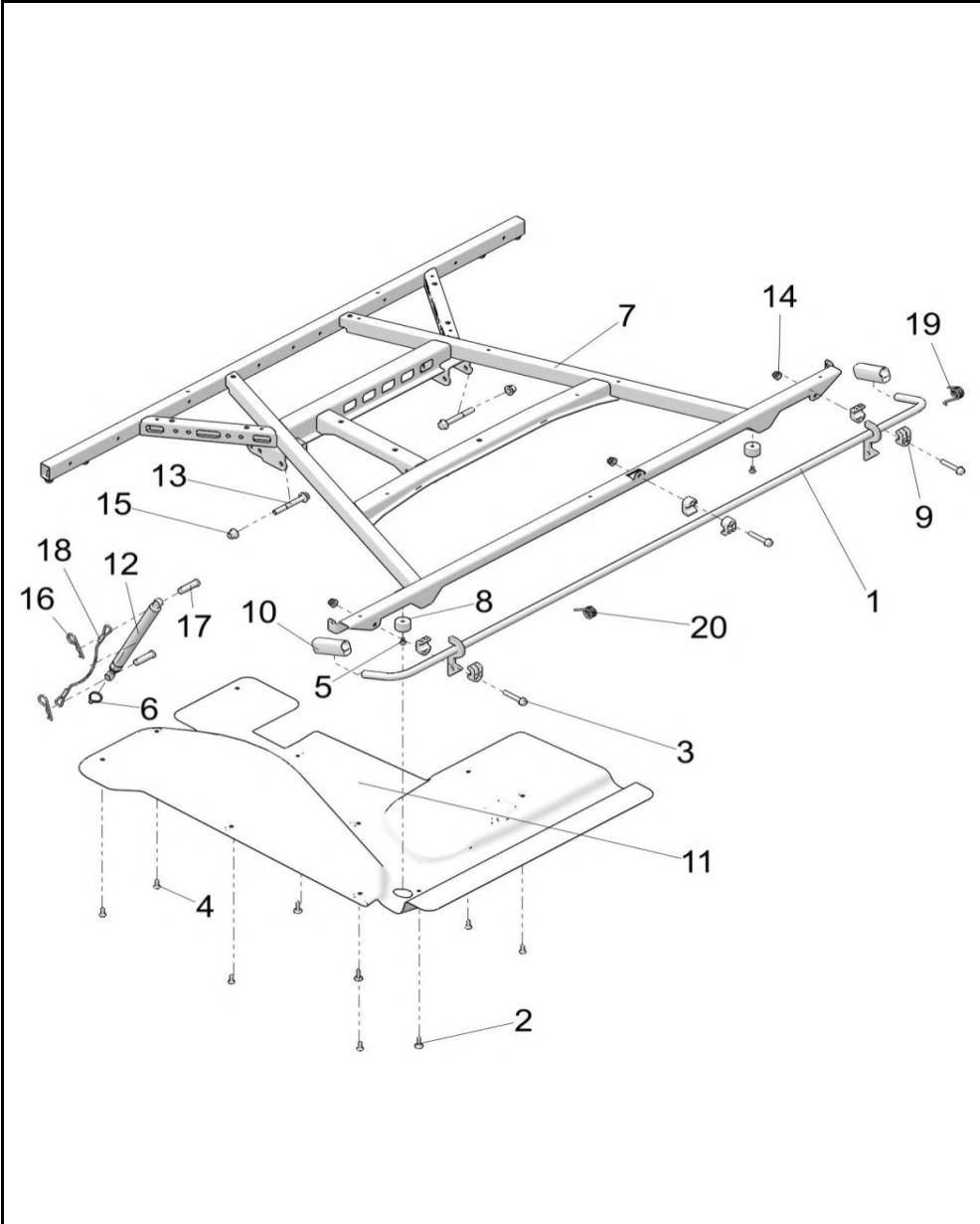


POS	SAP	Part Name	Qty
	1040338	ASM-BOX,CARGO,SHORT [INCL. 1-15]	1
1	1046525	WELD-TAILGATE SUPPORT,LH,BLK	1
2	1046526	WELD-TAILGATE SUPPORT,RH,BLK	1
3	1046527	BUMPER-RUBBER,TAILGATE	4
4	1011969	PANEL-BOX,OUTER,LH,BLK	1
5	1011970	PANEL-BOX,OUTER,RH,BLK	1
6	1046528	K-ASM,BOX,CARGO RGR XP EU [INCL. WARN DECAL][E99F1,FC][S99FC,F1][P99FC]	1
6	1046529	K-ASM,BOX,CARGO RGR ABS XP TR [INCL. WARN DECAL][S99C1,CC,J1][P99CC]	1
7	1011971	PANEL-BOX,TRIM,LH,S.B.GRN.N.M. [E99F1][S99C1,F1,J1]	1
7	1028628	PANEL-TRIM,LH,LE,MT WHT LTNG [E99FC][S99CC,FC][P99CC,FC]	1
8	1028611	PANEL-BOX,TRIM,RH,S.B.GRN.N.M. [E99F1][S99C1,F1,J1]	1
8	1028629	PANEL-TRIM,RH,LE,MT WHT LTNG [E99FC][S99CC,FC][P99CC,FC]	1
9	1046530	LATCH-TAILGATE HOOK	2
10	1039758	SCR-TXPH-#14 X .75 HI-LO RIE	10
11	1045689	SCR-HWH-M8X1.25X20 TAP/R ZPB	4
12	1046531	SCR-M6X1X35,TX TR,BLK	4
13	1046532	SCR-TXTH-M6X1.0X20 ZPB SHDR	2
14	1014499	NUT- M8X1.25, FLG, NYLOC-OLIVE D	6
15	1014589	RIVET-TUFLOK,.315-.325X.787	4
16	1045988	CLIP-"U",M6.0X1.0	2
17	1040444	SCR-1/4X2 HI/LO-PH-PN TRX-M	4
18	1046533	BRKT-TIE DOWN	4
19	1046534	SCR-TXTH-M6X1.0X45 TAP ZPB	9
20	1040338	WASHER-.281X1.00X.051	5
21	1040444	SCR-1/4X2 HI/LO-PH-PN TRX-M	4



# BODY, BOX, MOUNTING

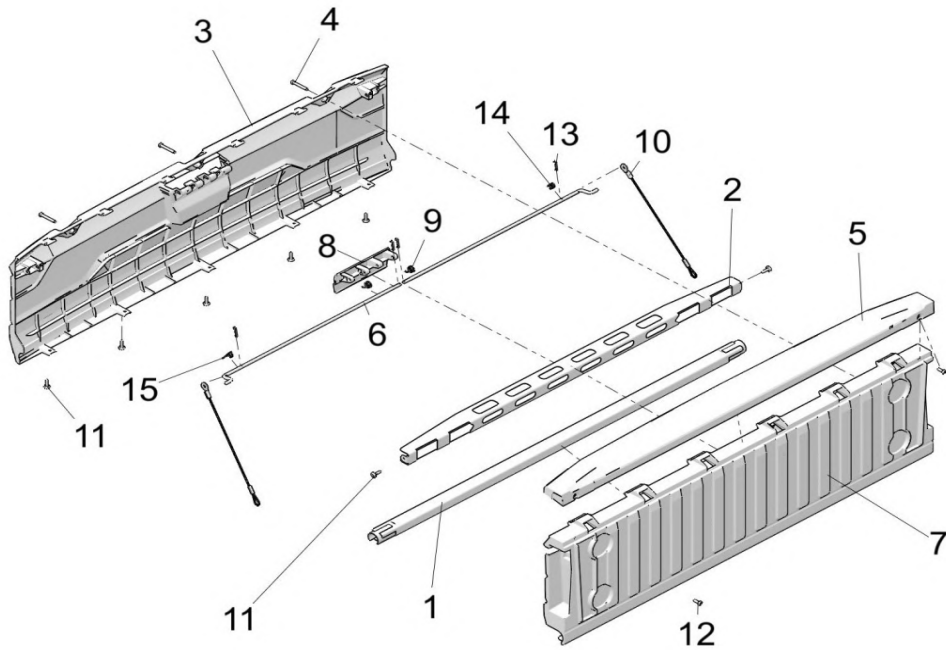
2019 RGR RANGER XP1000 EPS EU/TR/ZUG (R13) - R19RRE99F1/FC/SC1/SCC/SFC/SF1/SJ1/PCC/PFC



POS	SAP	Part Name	Qty
1	1046535	WELD-BOX LATCH,BLK	1
2	1014459	SCR-TXTH-M6X1.0X25 ZFB	6
3	1039664	SCR-M8X1.25X50 HX/FL-Y	3
4	1046536	SCR-TXPH-#14X5/8 HI/LO CLR	7
5	1046746	RIVET-POP3/16(.376-.500)AL-LFB	2
6	1039612	PANDUIT STRAP	1
7	1046538	WELD-BOX SUPPORT,SHORT,BLK	1
8	1046539	BUMPER-BOX	2
9	1046540	BUSHING-BOX,LATCH	6
10	1046541	HANDLE-BOX, LATCH	2
11	1046542	SHIELD-BOX,CARGO	1
12	1046543	SHOCK-BOX,DUMP,SM,SINGLE LOBE [TO 12/10/2018]	1
12	1046544	SHOCK-BOX,DUMP,SM,SINGLE [FROM 12/10/2018][TO 1/28/2019]	1
12	1046545	SHOCK-BOX,DUMP,SM,SINGLE [FROM 1/28/2019][TO 7/27/2020]	1
12	1046546	SHOCK-BOX,DUMP,RGR,441MMEXT [FROM 7/27/2020]	
13	1014457	SCR-HXFL-M10X1.25X80 8.8 ZOD	2
14	1046547	NUT-M8X1.25,HXFLG,NYLON INS	3
15	1014500	NUT-M10X1.25,FLG,NYLOC-OLIVE D	2
16	1040152	CLIP-HITCHPIN .148X3 1/16	2
17	1046548	PIN-CLEVIS,1/2 X 1 3/4	2
18	1046549	CABLE-DUMP,BED,LIMITER [TO 12/10/2018]	1
19	1046550	SPRING-LATCH	1
20	1046551	SPRING-LATCH	1

# BODY, BOX, TAILGATE

2019 RGR RANGER XP1000 EPS EU/TR/ZUG (R13) - R19RRE99F1/FC/SC1/SCC/SFC/SF1/SJ1/PCC/PFC

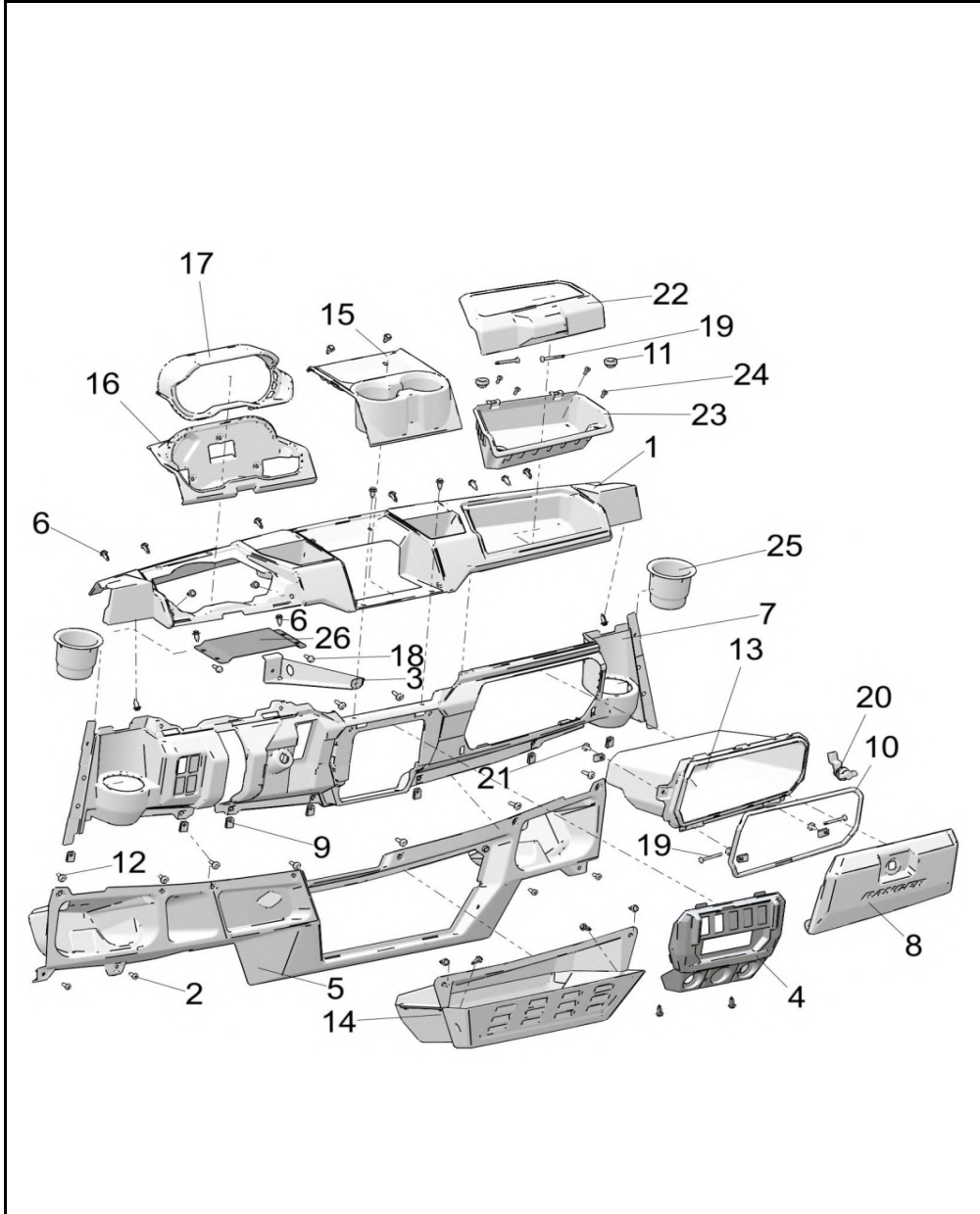


POS	SAP	Part Name	Qty
	1040338	ASM-TAILGATE,BLK [INCL. 1-15]	1
1	1046552	WELD-TAILGATE PIVOT,M,BLK	1
2	1046553	BRKT-TAILGATE SUPPORT,UPR,BLK	1
3	1046554	PANEL-TAILGATE,OUTER,BLK [INCL. QTY 8 OF 4]	1
4	1040444	SCR-1/4X2 HI/LO-PH-PN TRX-M	3
5	1046555	CAP-TAILGATE,BLK	1
6	1046556	ROD-TAILGATE	2
7	1046557	PANEL-TAILGATE,INNER,BLK	1
8	1046558	HANDLE-TAILGATE LATCH,BLK	1
9	1046559	SPRING-LATCH,TAILGATE	2
10	1046560	CABLE-TAILGATE,8MM EYELET	2
11	1014459	SCR-TXTH-M6X1.0X25 ZFB	7
12	1039758	SCR-TXPH-#14 X .75 HI-LO RIE	2
13	1046561	PIN-HITCH, 3/32-Y	4
14	1046562	SPRING-TAILGATE ROD,LH	1
15	1046563	SPRING-TAILGATE ROD,RH	1



# BODY, DASH

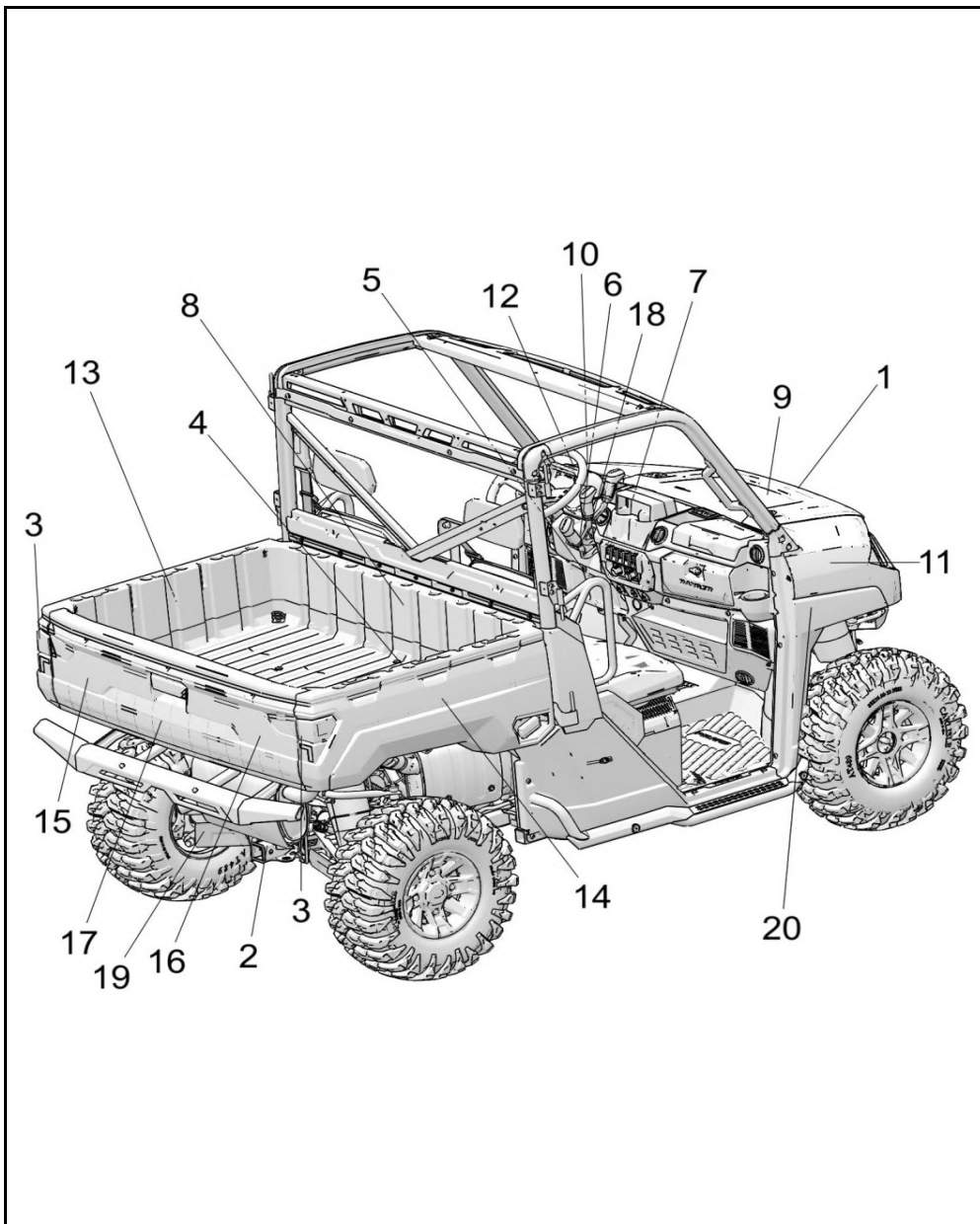
2019 RGR RANGER XP1000 EPS EU/TR/ZUG (R13) - R19RRE99F1/FC/SC1/SCC/SFC/SF1/SJ1/PCC/PFC



POS	SAP	Part Name	Qty
1	1046564	DASH-UPPER,BLK [INCL. QTY 8 OF 2]	1
2	1045772	SCR-TX TRUSS-#14X3/4,HI/LO ZBK	5
3	1046565	BRKT-DASH,RH	1
4	1046566	DASH-CONTROLS,BLK [INCL. QTY 4 OF 2][S99C1,CC,FC,F1,J1][P99CC]	1
4	1046567	DASH-CONTROLS,EU,BLK [INCL. QTY 4 OF 2][E99F1,FC][P99FC]	1
5	1046568	DASH-STORAGE,BLK [P99CC,FC,J1]	1
5	1046569	DASH-STORAGE,ABS,BLK [E99F1,FC][S99C1,CC,FC,F1]	1
6	1014589	RIVET TUFLOK	AR
7	1046570	DASH-MAIN,BLK	1
8	1046571	COVER-GLOVEBOX,BLK	1
9	1014509	NUT-M6-1.0,U-TYPE (2.5-3.8)	10
10	1046572	SEAL-GLOVEBOX,897	1
11	1044987	GROMMET-RUBBER,MOUNT,.25"	2
12	1014459	SCR-TXTH-M6X1.0X25 ZFB	AR
13	1046573	BIN-GLOVEBOX,BLK	1
14	1046574	BIN-LOWER,STORAGE,BLK	1
15	1046575	DASH-CENTER TRAY,BLK	1
16	1046576	DASH-GAUGE,HOOD,C4,BLK [E99FC][S99CC,FC][P99CC,FC]	1
17	1046577	DASH-GAUGE,BEZEL,C4,BLK [E99FC][S99CC,FC][P99CC,FC]	1
17	1046578	DASH-GAUGE BEZEL,BLK [E99F1][S99C1,F1,J1]	1
18	1039683	SCR-M6X1.0X20,HXHD,FLG,TDFM,BK	2
19	1039564	PIN-HINGE,GLOVEBOX	2
20	1014063	LATCH-1/4 TURN, CAM	1
21	1014437	SCR-M6X1X16 TR/TX-M	3
22	1046579	COVER-UPPER GLOVEBOX,BLK	1
23	1046580	BIN-UPPER GLOVEBOX,BLK	1
24	1045565	SCR-10X5/8-HI/LO,PN-T25,TRX-M	4
25	1046581	HOLDER-CUP	2
26	1046582	BRKT- DRIP PLATE	1

## BODY, DECALS

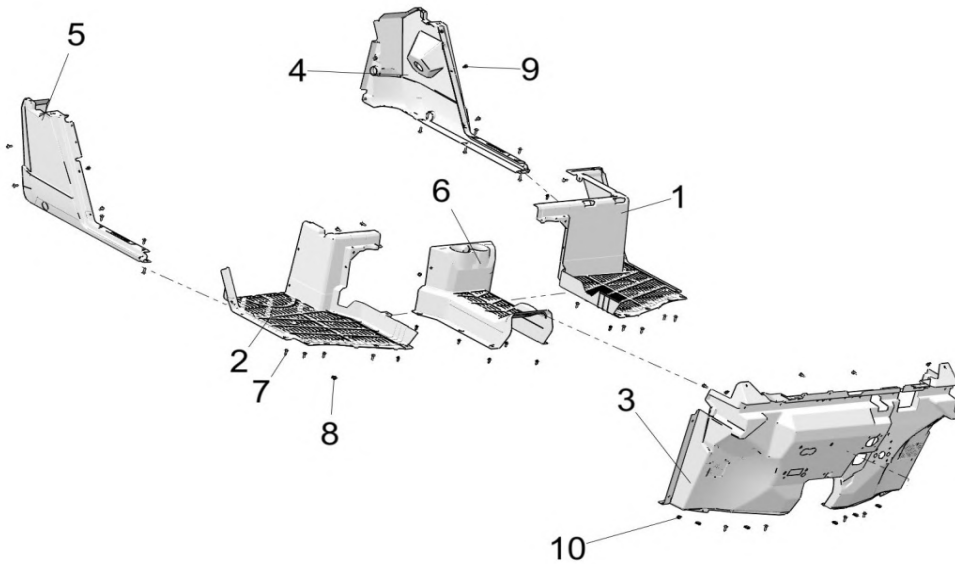
2019 RGR RANGER XP1000 EPS EU/TR/ZUG (R13) - R19RRE99F1/FC/SC1/SCC/SFC/SF1/SJ1/PCC/PFC



POS	SAP	Part Name	Qty
1	1014053	LOGO-POLARIS STAR	1
2	1046583	DECAL-HITCH,EU,RANGER [E99FC,F1][S99F1][P99FC]	1
3	1040121	DECAL-WARN,JACKING POINT [S99C1,CC,FC,J1][P99CC]	1
4	1040122	DECAL-WARN,HOT SURFACE [S99C1,CC,FC,J1][P99CC]	1
5	1040123	DECAL-WARN,GREASING POINT [S99C1,CC,FC,J1][P99CC]	1
6	1040120	DECAL-IGNITION,LIGHTING	1
7	1046584	DECAL-WARN,GENERAL,TR/ZUG RGR [S99C1,CC,FC,J1][P99CC]	1
7	1046585	DECAL-WARN,GEN,RGR 1000,HD [E99FC,F1][P99FC]	1
8	1046586	DECAL-WARN,PASS/TIREPR,XP,EU	1
9	1014233	DECAL-HOOD CNTR E99F1][S99C1,F1,J1]	1
9	1014238	DECAL-HOOD CNTR [E99FC][S99CC,FC][P99CC,FC]	1
10	1014234	DECAL-FR.FNDR,SIDE,XP,1000,LH E99F1][S99C1,F1,J1]	1
10	1014239	DECAL-FR.FNDR,SIDE,XP,1000,LH [E99FC][S99CC,FC][P99CC,FC]	1
11	1014235	DECAL-FR.FNDR,SIDE,XP,1000,RH E99F1][S99C1,F1,J1]	1
11	1014240	DECAL-FR.FNDR,SIDE,XP,1000,RH [E99FC][S99CC,FC][P99CC,FC]	1
12	1014166	DECAL-EPS,PREMIUM	1
13	1014236	DECAL-BOX,SIDE,RGR,LH E99F1][S99C1,F1,J1]	1
13	1014241	DECAL-BOX,SIDE,RGR,LH [E99FC][S99CC,FC][P99CC,FC]	1
14	1014237	DECAL-BOX,SIDE,RGR,RH E99F1][S99C1,F1,J1]	1
14	1014242	DECAL-BOX,SIDE,RGR,RH [E99FC][S99CC,FC][P99CC,FC]	1
15	1014244	DECAL-TAILGATE,LH [E99FC][S99CC,FC][P99CC,FC]	1
16	1014245	DECAL-TAILGATE, RH [E99FC][S99CC,FC][P99CC,FC]	1
17	1014231	DECAL-TAILGATE,POLARIS,WHT	1
18	1046587	DECAL-CAUT,SHIFT/APPLYBRAKE,EU	1
19	1045541	DECAL-WARN,OWNER MANUAL INFO	1
20	1046588	DECAL-ABS RGR,LH [P99CC]	1
20	1046589	DECAL-ABS RGR,RH [P99CC]	1

## BODY, FLOOR AND ROCKER

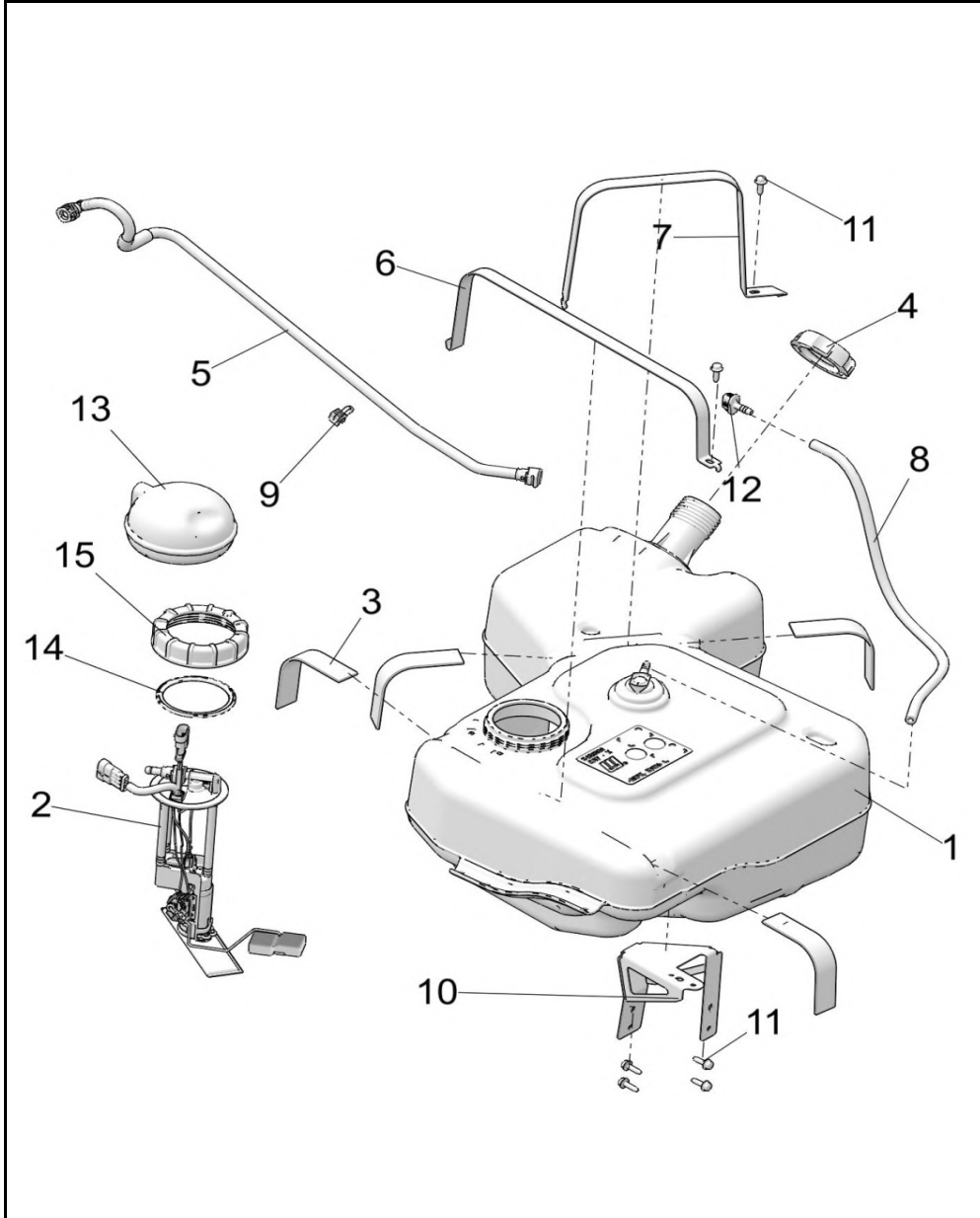
2019 RGR RANGER XP1000 EPS EU/TR/ZUG (R13) - R19RRE99F1/FC/SC1/SCC/SFC/SF1/SJ1/PCC/PFC



POS	SAP	Part Name	Qty
1	<a href="#">1046590</a>	FLOOR,LH,BLK [INCL. QTY 5 OF 5]	1
2	<a href="#">1046591</a>	FLOOR,RH,BLK [INCL. QTY 4 OF 5]	1
3	<a href="#">1039239</a>	FLOOR-UPPER CLOSEOFF,BLK [INCL. QTY 3 OF 5]	1
4	<a href="#">1011964</a>	FENDER-REAR,ROCKER,LH,BLK [INCL. QTY 3 OF 9]	1
5	<a href="#">1011965</a>	FENDER-REAR ROCKER,RH,BLK [INCL. QTY 3 OF 9]	1
6	<a href="#">1046592</a>	COVER-TUNNEL FLOOR,BLK [TO 2/14/2020, FOR S99C1,S99J1]	1
6	<a href="#">1046593</a>	COVER-TUNNEL FLOOR,BLK [FRM 2/14/2020, FOR S99C1,S99J1]	1
7	<a href="#">1014459</a>	SCR-TXTH-M6X1.0X25 ZFB	AR
8	<a href="#">1039537</a>	PLUG-COMPARTMENT	1
9	<a href="#">1014589</a>	RIVET TUFLOK	AR
10	<a href="#">1014509</a>	U-NUT	AR

# BODY, FUEL TANK

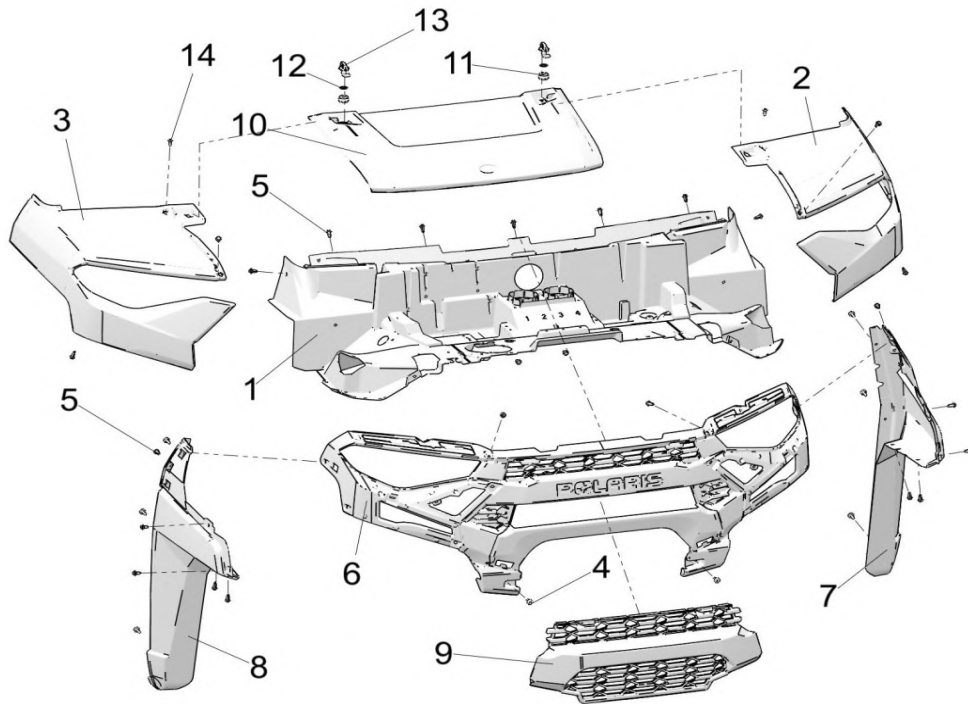
2019 RGR RANGER XP1000 EPS EU/TR/ZUG (R13) - R19RRE99F1/FC/SC1/SCC/SFC/SF1/SJ1/PCC/PFC



POS	SAP	Part Name	Qty
1	1046594	ASM-FUEL TANK [INCL. 2,3]	1
2	1005194	K-FUEL PUMP,RANGER [INCL. GASKET AND NUT]	1
3	1039594	PAD-BATTERY	5
4	1046595	CAP-GAS TANK,TETHER [E99F1]	1
5	1046596	ASM-FUEL LINE [INCL. 9]	1
6	1046597	BRKT-TANK,STRAP,INSIDE,GALV	1
7	1046598	BRKT-TANK,STRAP,OUTSIDE,GALV	1
8	1046599	FUEL LINE 1/4"SAE,185CM	1
9	1046600	CLIP-EDGE,SIDE W/STRAP	1
10	1046601	BRKT-FUEL TANK,SUPPORT,BLK	1
11	1039683	SCR-M6X1.0X20,HXHD,FLG,TDFM,BK	6
12	1045673	FITTING-VENT LINE	1
13	1046602	COVER-PFA,WALBRO [TO 12/31/2018]	1
14	1045311	GASKET-PFA,RIBBED	1
15	1045312	NUT-MASON JAR	1

# BODY, HOOD AND FRONT FACIA

2019 RGR RANGER XP1000 EPS EU/TR/ZUG (R13) - R19RRE99F1/FC/SC1/SCC/SFC/SF1/SJ1/PCC/PFC

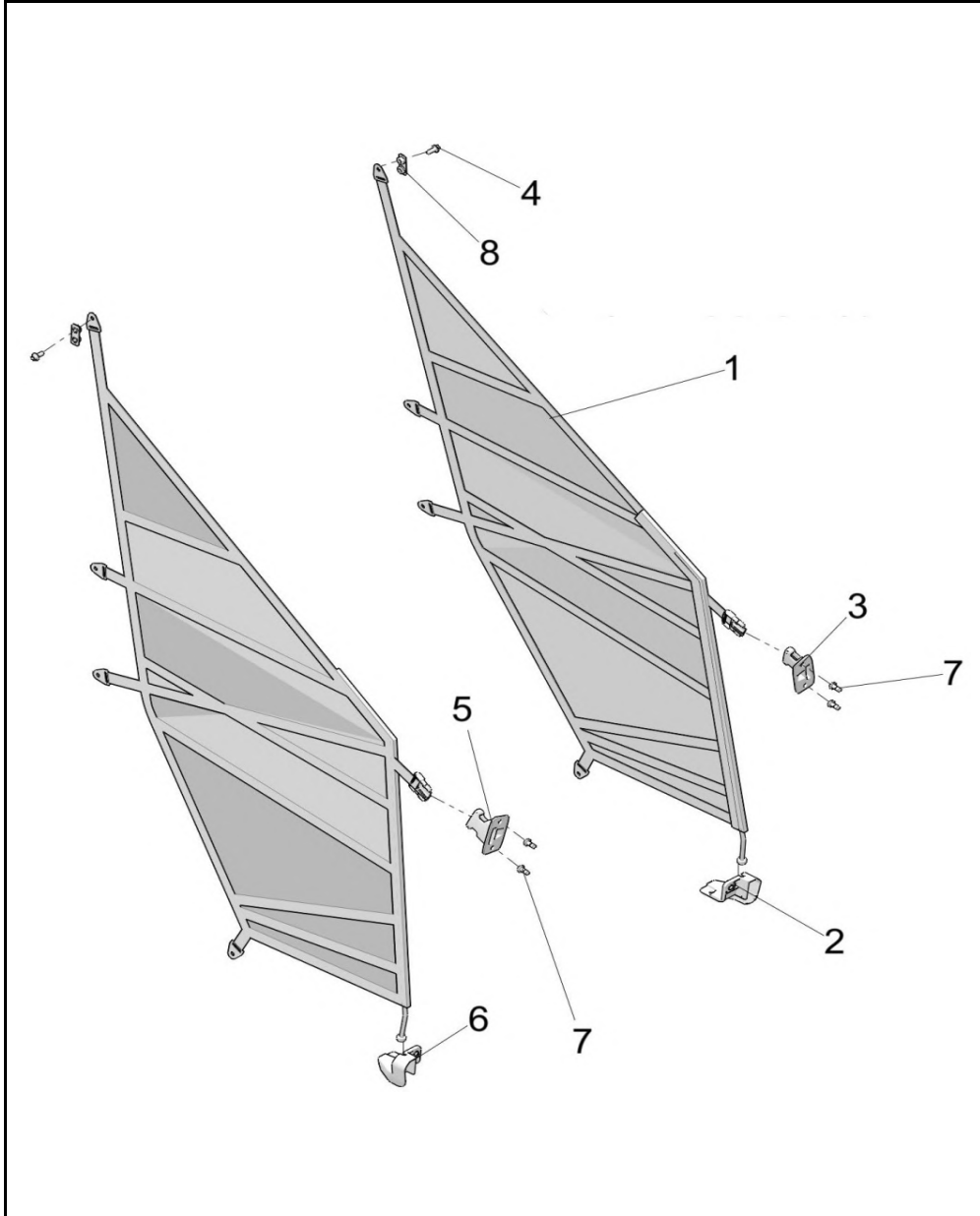


POS	SAP	Part Name	Qty
1	<a href="#">1046603</a>	LINER-UNDER HOOD,BLK [TO 1/10/2019]	1
1	<a href="#">1046604</a>	LINER-UNDER HOOD,ROUTER,BLK [FROM 1/10/2019]	1
2	<a href="#">1011959</a>	FENDER-FRONT,LH,TPO,S.B.G.N.M. [E99F1][S99C1,F1,J1]	1
2	<a href="#">1046605</a>	FENDER-FRONT,LH,LE,MT WHT LTNG [E99FC][S99CC,FC][P99CC/FC]	1
3	<a href="#">1011961</a>	FENDER-FRONT,RH,TPO,S.B.G.N.M. [E99F1][S99C1,F1,J1]	1
3	<a href="#">1011960</a>	FENDER-FRONT,RH,LE,MT WHT LTNG [E99FC][S99CC,FC][P99CC/FC]	1
4	<a href="#">1014459</a>	SCR-TXTH-M6X1.0X25 ZFB	AR
5	<a href="#">1014589</a>	RIVET TUFLOK	AR
6	<a href="#">1011962</a>	FASCIA-UPPER,BLK	1
7	<a href="#">1011957</a>	FENDER-FLARE,FRONT,LH,BLK	1
8	<a href="#">1011958</a>	FENDER-FLARE,FRONT,RH,BLK	1
9	<a href="#">1011963</a>	GRILL-UPPER,BLK	1
10	<a href="#">1031692</a>	HOOD-CENTER,TPO,S.B.GRN.N.M. [E99F1][S99C1,F1,J1]	1
10	<a href="#">1046606</a>	HOOD-CENTER,LE,MT WHT LTNG [E99FC][S99CC,FC][P99CC/FC]	1
11	<a href="#">1011795</a>	GROMMET-LATCH	2
12	<a href="#">1014517</a>	WASHER-.510X.840X.031 Y	2
13	<a href="#">1045094</a>	LATCH-1/4 TURN	2
14	<a href="#">1045772</a>	SCR-TX TRUSS-#14X3/4, HI/LO ZBK	8



# BODY, NETS

2019 RGR RANGER XP1000 EPS EU/TR/ZUG (R13) - R19RRE99F1/FC/SC1/SCC/SFC/SF1/SJ1/PCC/PFC

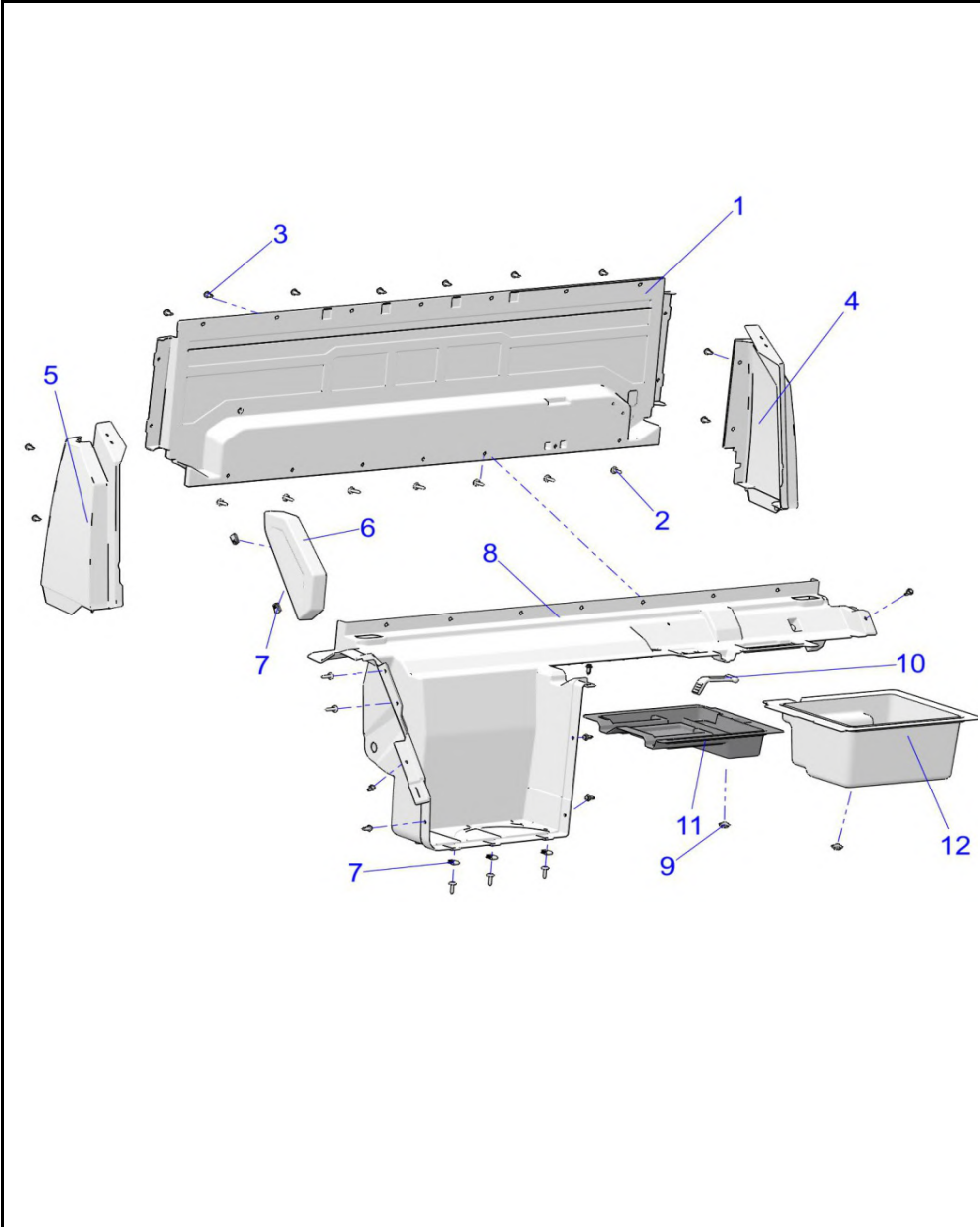


POS	SAP	Part Name	Qty
1	<a href="#">1006346</a>	NETS-DOOR,FRT,RGR [INCL 1-4][FROM 1/31/2019]	1
1	<a href="#">1046607</a>	NETS-DOOR,FRT,RGR [INCL 1-4][TO 1/31/2019]	1
2	<a href="#">1011980</a>	MOUNT-NET,LOWER,LH	1
3	<a href="#">1011987</a>	CLIP-UPPER NET,LH	1
4	<a href="#">1046608</a>	SCR-HXFL-M8X1.25X20 8.8 ZB	2
5	<a href="#">1011988</a>	CLIP-UPPER NET,RH	1
6	<a href="#">1011984</a>	MOUNT-NET,LOWER,RH	1
7	<a href="#">1046609</a>	SCR-TXTH-M8X1.25X20 8.8ZPB	4
8	<a href="#">1046610</a>	PLATE-HINGE,BLK	2



## BODY, REAR CLOSEOFF, AND FENDERS

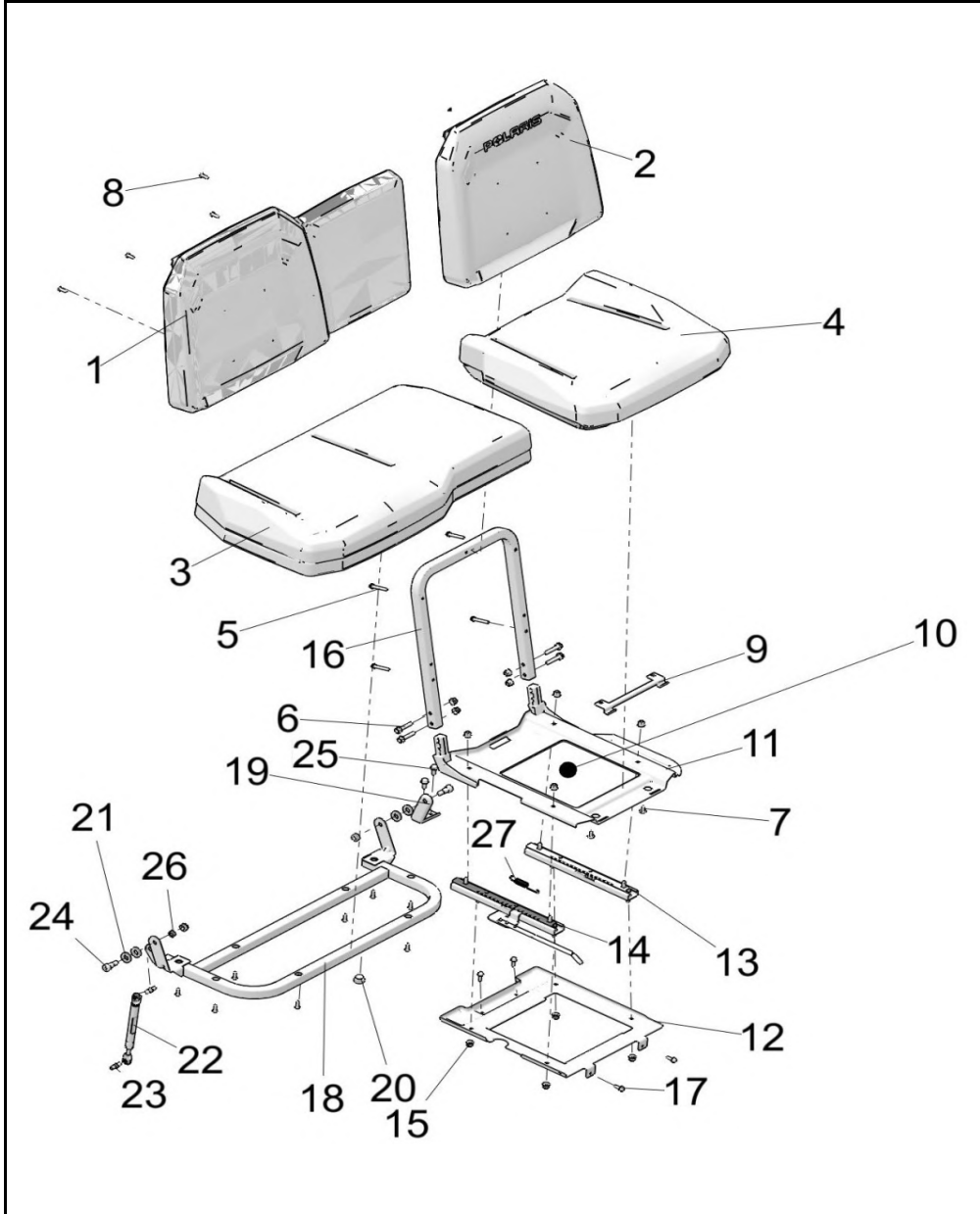
2019 RGR RANGER XP1000 EPS EU/TR/ZUG (R13) - R19RRE99F1/FC/SC1/SCC/SFC/SF1/SJ1/PCC/PFC



POS	SAP	Part Name	Qty
1	1046611	PANEL-CLOSEOFF,REAR,BLK	1
2	1014459	SCR-TXTH-M6X1.0X25 ZFB	AR
3	1014589	RIVET TUFLOK	AR
4	1011966	FENDER-REAR,UPPER,LH,BLK	1
5	1011967	FENDER-REAR,UPPER,RH,BLK	1
6	1046612	COVER-SEAT PIVOT,BLK	1
7	1014509	NUT-M6-1.0,U-TYPE (2.5-3.8)	5
8	1046613	PANEL-CLOSEOFF,LOWER,BLK	1
9	1039537	PLUG-COMPARTMENT	2
10	1011910	STRAP-AIRBOX	1
11	1046614	BIN-STORAGE,RH,BLK [FROM 5/21/2019]	1
11	1046615	BIN-STORAGE,RH,BLK [TO 5/21/2019]	1
12	1046616	BIN-STORAGE,LH,BLK	1

# BODY, SEAT ASM. AND SLIDER

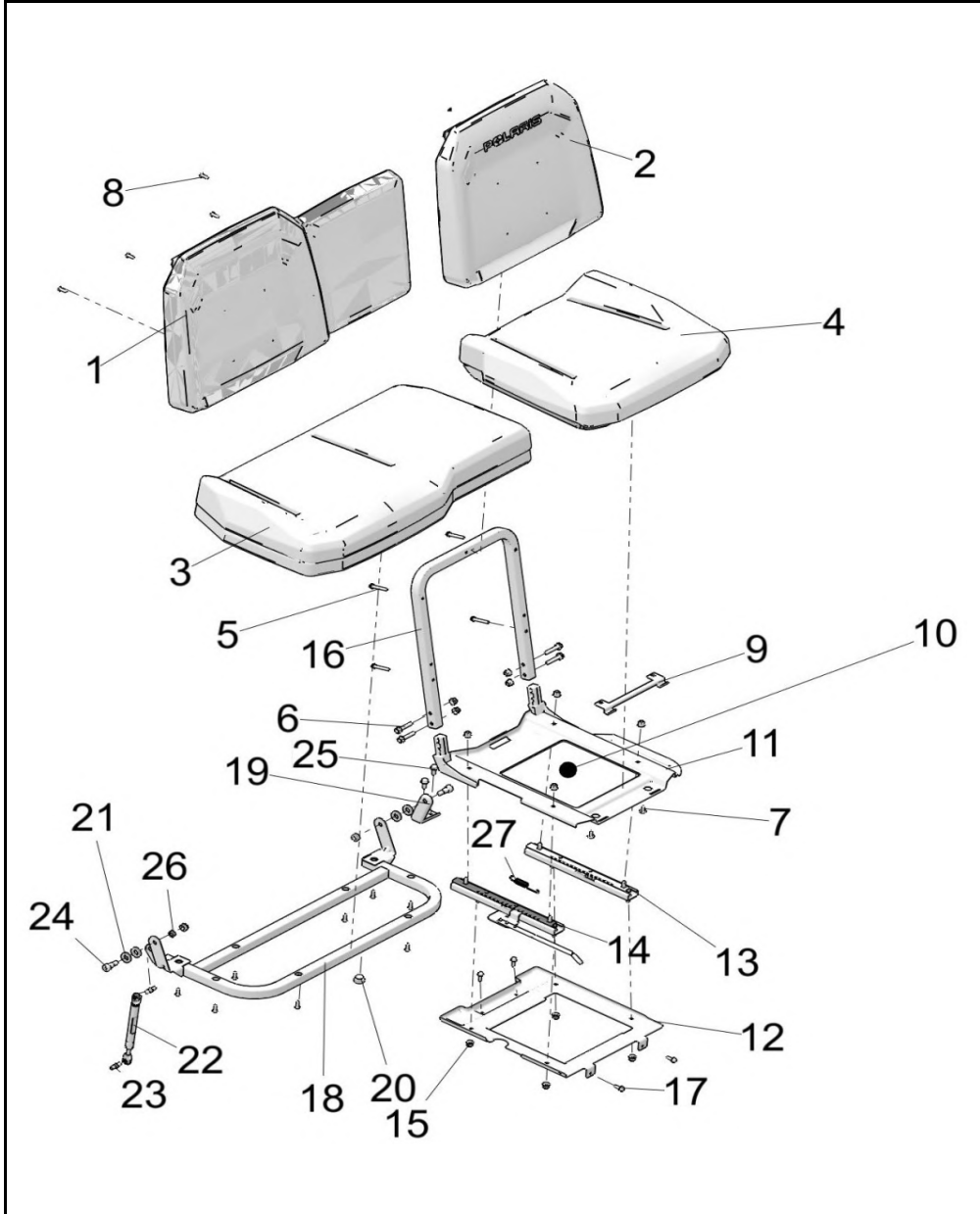
2019 RGR RANGER XP1000 EPS EU/TR/ZUG (R13) - R19RRE99F1/FC/SC1/SCC/SFC/SF1/SJ1/PCC/PFC



POS	SAP	Part Name	Qty
1	1046635	ASM-SEAT,BACK,60,BLK	1
2	1006344	ASM-SEAT,BACK,40,BLK	1
3	1046637	ASM-SEAT,BTM,60,BLK	1
4	1046619	ASM-SEAT,BTM,40,FLIP,BLK,DS	1
5	1014425	SCR-#14X1-3/4 LG,HI/LO/TAPER-M	4
6	1014461	SCR-HXFL-M8X1.25X45 8.8 ZOD	4
7	1014437	SCR-M6X1X16 TR/TX-M	2
8	1045772	SCR-TX TRUSS-#14X3/4,HI/LO ZBK	12
9	1046620	BRKT-SEAT HINGE,DOUBLE,BLK	1
10	1046621	ASM-SLIDE,SEAT [INCL 11-15]	1
11	1046622	WELD-SLIDE,SEAT,TOP,BLK	1
12	1046623	BRKT-SEAT,BTM,BLK	1
13	1046648	SLIDE,SEAT, LH	1
14	1046649	SLIDE,SEAT, RH	1
15	1014499	NUT- M8X1.25, FLG, NYLOC-OLIVE D	12
16	1011693	TUBE-SEAT,BACK,BLK	1
17	1039683	SCR-M6X1.0X20,HXHD,FLG,TDFM,BK	4
18	1046660	WELD-SEAT BASE,PASS,M.BLK	1
19	1046661	BRKT-SEAT PIVOT,BLK	1
20	1046662	BUMPER-RUBBER	1
21	1045833	WASHER-SEATBELT,RUBBER	4
22	1046663	SHOCK-GAS,285MM	1
23	1046664	BALL-END	2
24	1046665	SCR-SHS-M10X1.5-M12X16 RIE	2
25	1045689	SCR-HWH-M8X1.25X20 TAP/R ZPB	2
26	1046666	NUT-HEX M10X1.5 8 ZOD NYL	2
27	1046656	SPRING-SEAT SLIDER	1

# BODY, SEAT ASM. AND SLIDER

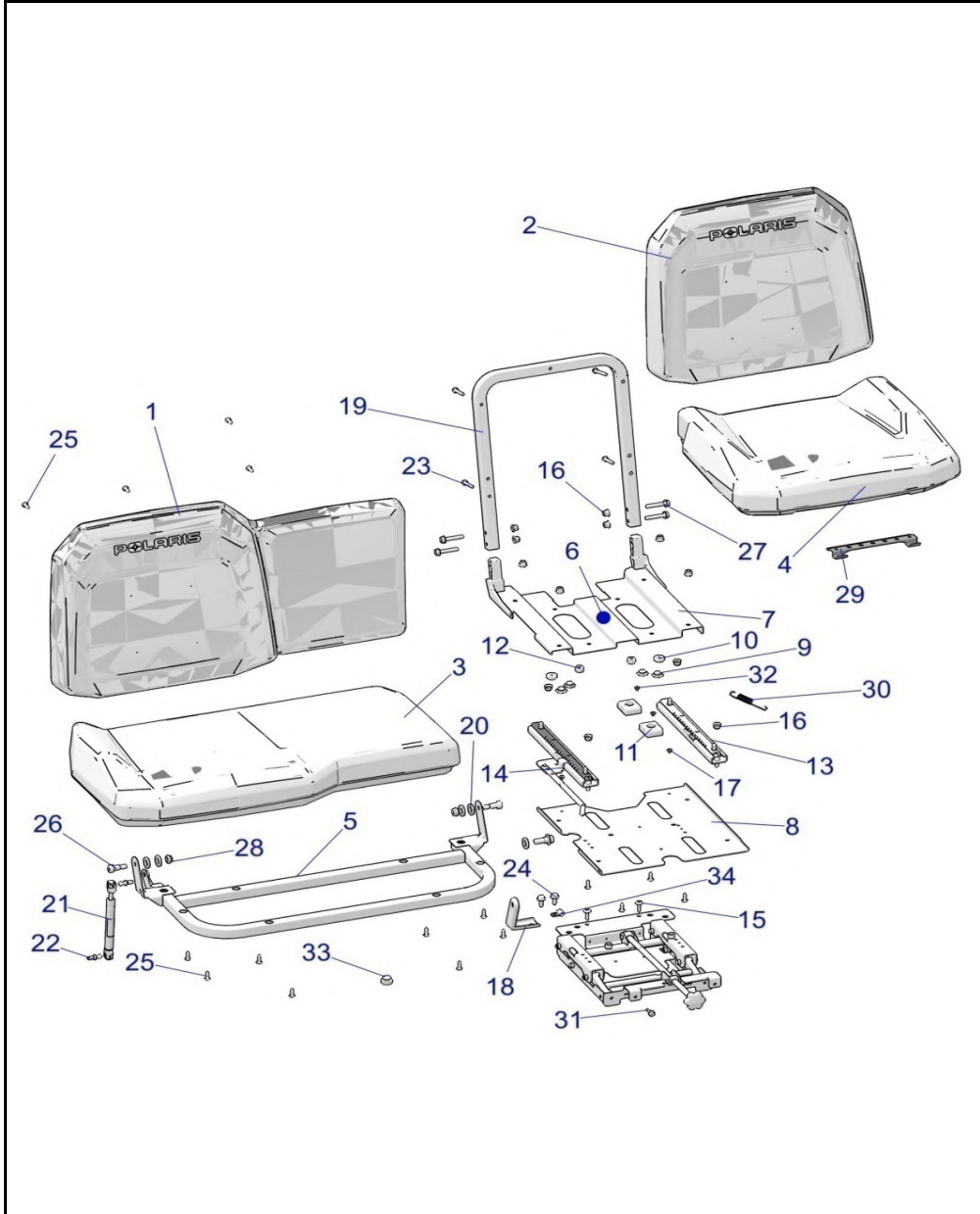
2019 RGR RANGER XP1000 EPS EU/TR/ZUG (R13) - R19RRE99F1/FC/SC1/SCC/SFC/SF1/SJ1/PCC/PFC



POS	SAP	Part Name	Qty
1	1046634	ASM-SEAT,BACK,60,BLK [S99C1]	1
1	1046635	ASM-SEAT,BACK,60,BLK [S99CC][P99CC]	1
2	1046636	ASM-SEAT,BACK,40,BLK [S99C1]	1
2	1006344	ASM-SEAT,BACK,40,BLK [S99CC][P99CC]	1
3	1046637	ASM-SEAT,BTM,60,BLK [S99CC][P99CC]	1
3	1006345	ASM-SEAT,BTM,60,VINYL,BLK [S99C1]	1
4	1046638	ASM-SEAT,BTM,40,VINYL,BLK,TR [S99C1]	1
4	1046639	ASM-SEAT,BTM,40,BLK,TR [S99CC][P99CC]	1
5	1046660	WELD-SEAT BASE,PASS,M.BLK	1
6	1046641	ASM-SLIDER, ADJUSTER ZEUS [INCL. 7-17]	1
7	1046642	WELD-SLIDE,SEAT,TOP,BLK	1
8	1046643	ASM-SEAT ADJUSTER ZEUS,TR,BLK [INCL. 9, ][TO 6/6/2019]	1
8	1046644	ASM-SEAT ADJUSTER,T-KNOB,BLK [INCL. 9, ][FROM 6/6/2019]	1
9	1039539	GROMMET-SEAT BASE	4
10	1046645	BUMPER-SEAT	2
11	1046646	SLIDE-SEAT,CENTER [INCL 11-15]	2
12	1046647	WASHER 18X6.5	2
13	1046648	SLIDE,SEAT, LH	1
14	1046649	SLIDE,SEAT, RH	1
15	1014459	SCR-TXTH-M6X1.0X25 ZFB	2
16	1014499	NUT- M8X1.25, FLG, NYLOC-OLIVE D	12
17	1014566	RIVET3/16(.063-.250)ST-ST-LF-B	2
18	1046661	BRKT-SEAT PIVOT,BLK	1
19	1011693	TUBE-SEAT,BACK,BLK	1
20	1045833	WASHER-SEATBELT,RUBBER	7
21	1046663	SHOCK-GAS,285MM	1
22	1046664	BALL-END	2
23	1014425	SCR-#14X1-3/4 LG,HI/LO/TAPER-M	4
24	1039688	SCR-TFHFL-M8X1.25X20 CHS ZOD	2
25	1045772	SCR-TX TRUSS-#14X3/4,HI/LO ZBK	16

# BODY, SEAT ASM. AND SLIDER

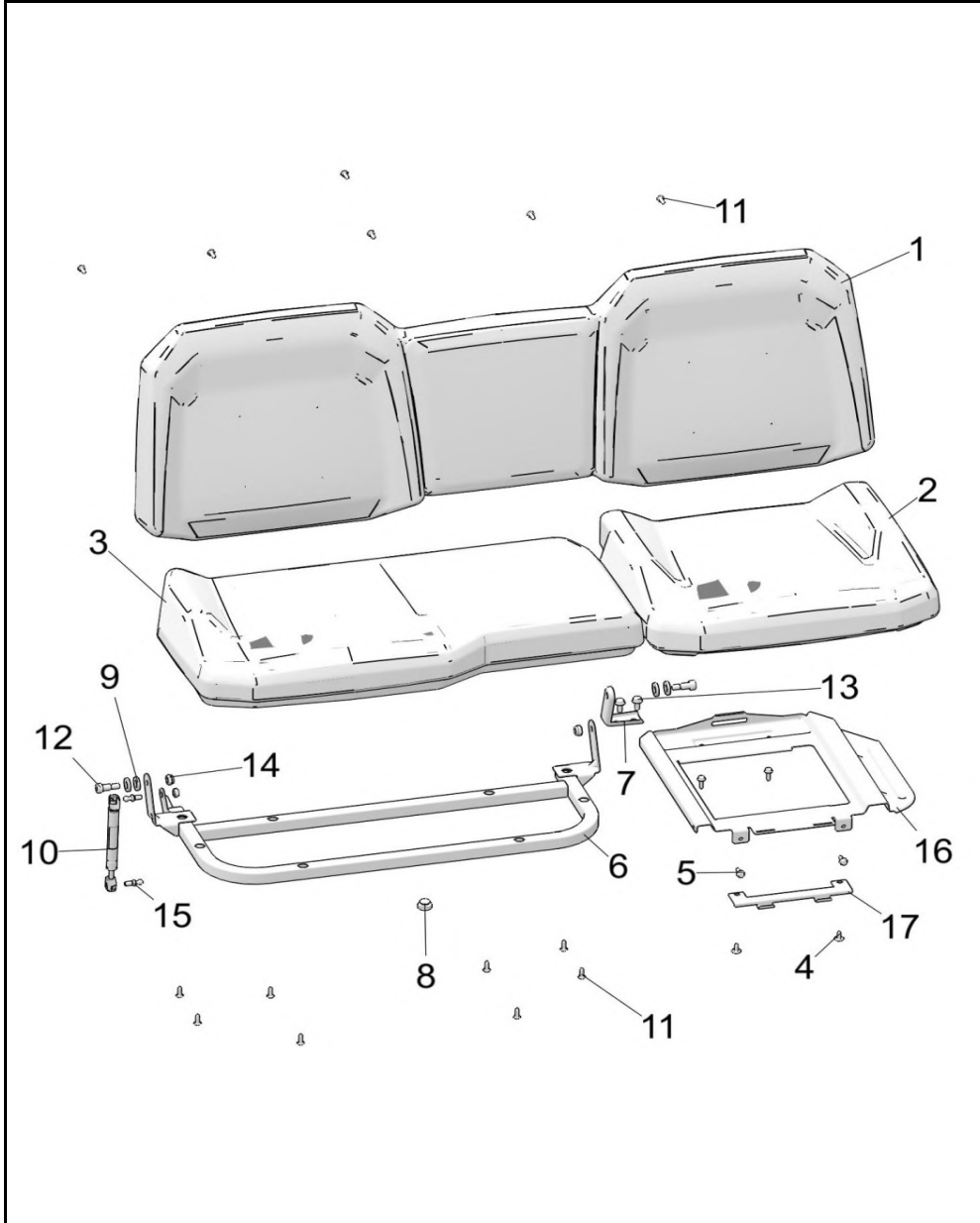
2019 RGR RANGER XP1000 EPS EU/TR/ZUG (R13) - R19RRE99F1/FC/SC1/SCC/SFC/SF1/SJ1/PCC/PFC



POS	SAP	Part Name	Qty
26	<a href="#">1046665</a>	SCR-SHS-M10X1.5-M12X16 RIE	2
27	<a href="#">1014461</a>	SCR-HXFL-M8X1.25X45 8.8 ZOD	4
28	<a href="#">1046666</a>	NUT-HEX M10X1.5 8 ZOD NYL	2
29	<a href="#">1046655</a>	BRKT-SEAT HINGE,DOUBLE [P99CC]	1
30	<a href="#">1046656</a>	SPRING-SEAT SLIDER	1
31	<a href="#">1039683</a>	SCR-M6X1.0X20,HXHD,FLG,TDFM,BK	2
32	<a href="#">1014565</a>	RVT-3/16(.251-.375)ST-ST-LF-B	2
33	<a href="#">1046662</a>	BUMPER-RUBBER	1
34	<a href="#">1039629</a>	CLAMP-WIRE/TUBE .25 DIA	1

# BODY, SEAT ASM.

2019 RGR RANGER XP1000 EPS EU/TR/ZUG (R13) - R19RRE99F1/FC/SC1/SCC/SFC/SF1/SJ1/PCC/PFC

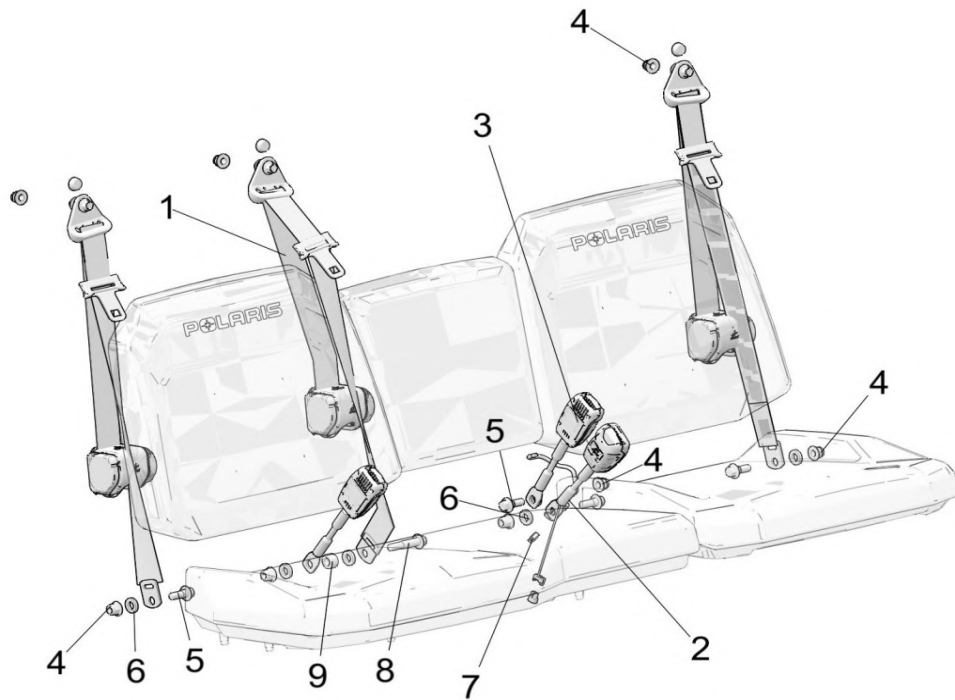


POS	SAP	Part Name	Qty
1	1046658	ASM-SEAT,RNGR,BACK,BLK	1
2	1046659	ASM-SEAT,BTM,40,VINYL,BLK	1
3	1006345	ASM-SEAT,BTM,60,VINYL,BLK	1
4	1014437	SCR-M6X1X16 TR/TX-M	2
5	1039683	SCR-M6X1.0X20,HXHD,FLG,TDFM,BK	4
6	1046660	WELD-SEAT BASE,PASS,M.BLK	1
7	1046661	BRKT-SEAT PIVOT,BLK	1
8	1046662	BUMPER-RUBBER	1
9	1045833	WASHER-SEATBELT,RUBBER	4
10	1046663	SHOCK-GAS,285MM	1
11	1046664	BALL-END	2
12	1045772	SCR-TX TRUSS-#14X3/4,HI/LO ZBK	14
13	1046665	SCR-SHS-M10X1.5-M12X16 RIE	2
14	1045689	SCR-HWH-M8X1.25X20 TAP/R ZPB	2
15	1046666	NUT-HEX M10X1.5 8 ZOD NYL	2
16	1046667	BRKT-SEAT SUPPORT,FIXED,BLK	1
17	1046668	BRKT-SEAT PIVOT,FIXED,BLK	1



## BODY, SEAT BELT AND MOUNTING

2019 RGR RANGER XP1000 EPS EU/TR/ZUG (R13) - R19RRE99F1/FC/SC1/SCC/SFC/SF1/SJ1/PCC/PFC

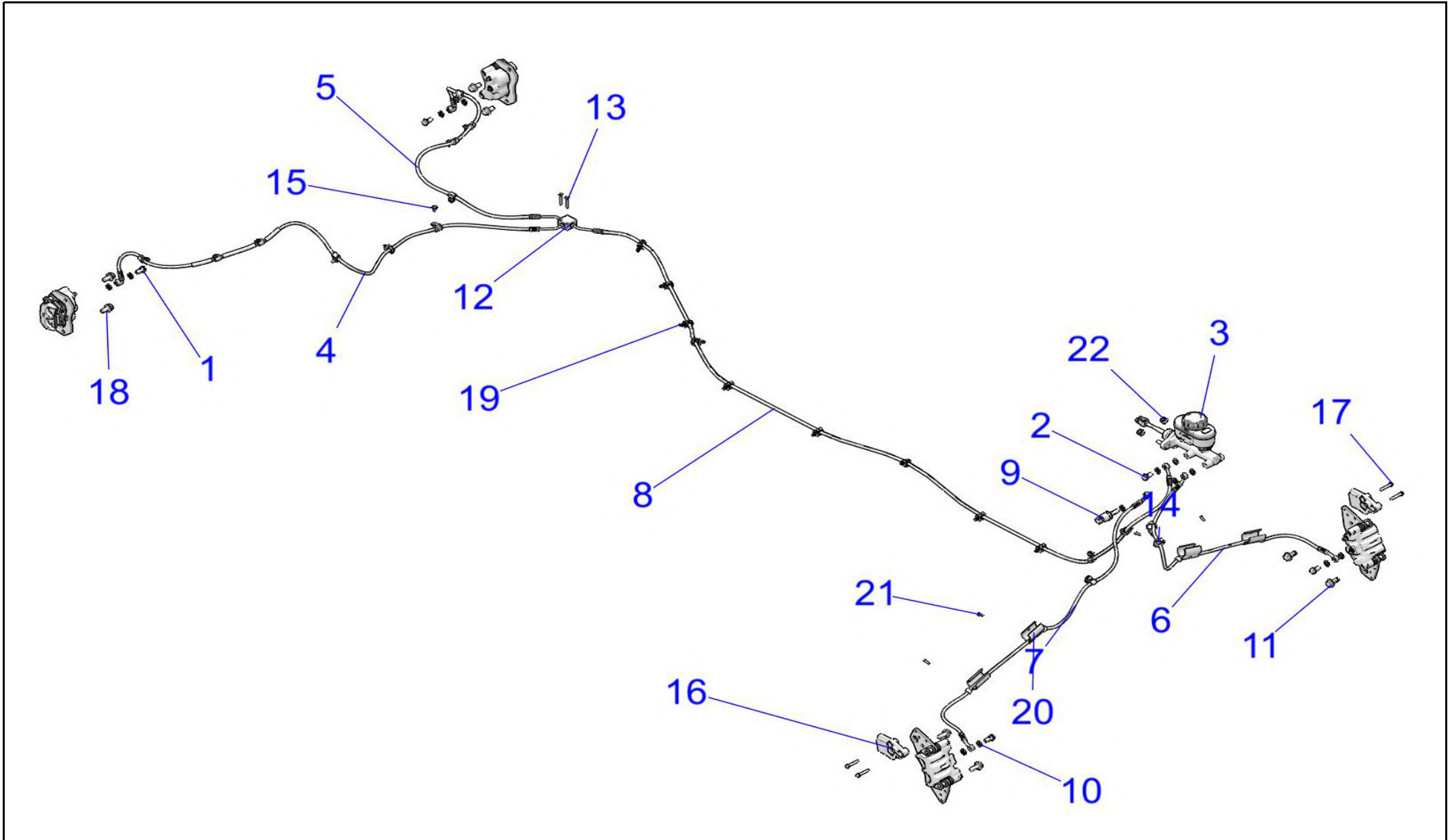


POS	SAP	Part Name	Qty
1	<a href="#">1046669</a>	ASM-SEAT BELT,3PT TR	3
2	<a href="#">1046670</a>	BUCKLE-SEATBELT,90,SWITCH,TR	1
3	<a href="#">1046671</a>	BUCKLE-SEATBELT,PASSENGER,TR	2
4	<a href="#">1040256</a>	NUT-HXFL M12X1.75 8 ZOD NYL	11
5	<a href="#">1046672</a>	SCR-HXFLSH-M12X1.75-M14X9 ZOD	4
6	<a href="#">1045833</a>	WASHER-SEATBELT,RUBBER	4
7	<a href="#">1046673</a>	CLIP-CONNECTOR,6.35MM HOLE	1
8	<a href="#">1046674</a>	SPACER-25.4X14.6,BLK	1
9	<a href="#">1046675</a>	SCR-HXFLSH-M12X1.75-M14X35 ZOD	1



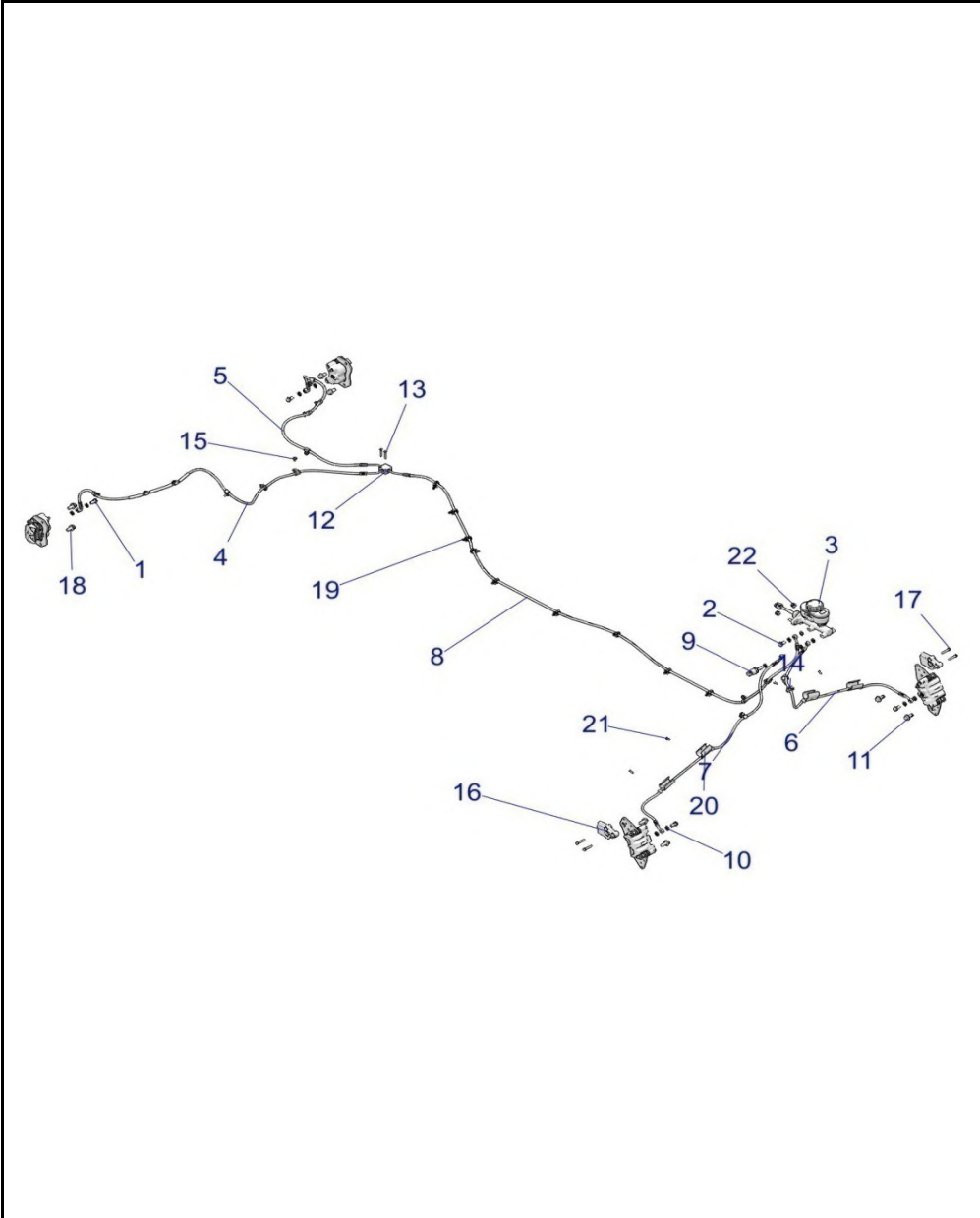
# BRAKES, BRAKE LINES AND MASTER CYLINDER

2019 RGR RANGER XP1000 EPS EU/TR/ZUG (R13) - R19RRE99F1/FC/SC1/SCC/SFC/SF1/SJ1/PCC/PFC



# BRAKES, BRAKE LINES AND MASTER CYLINDER

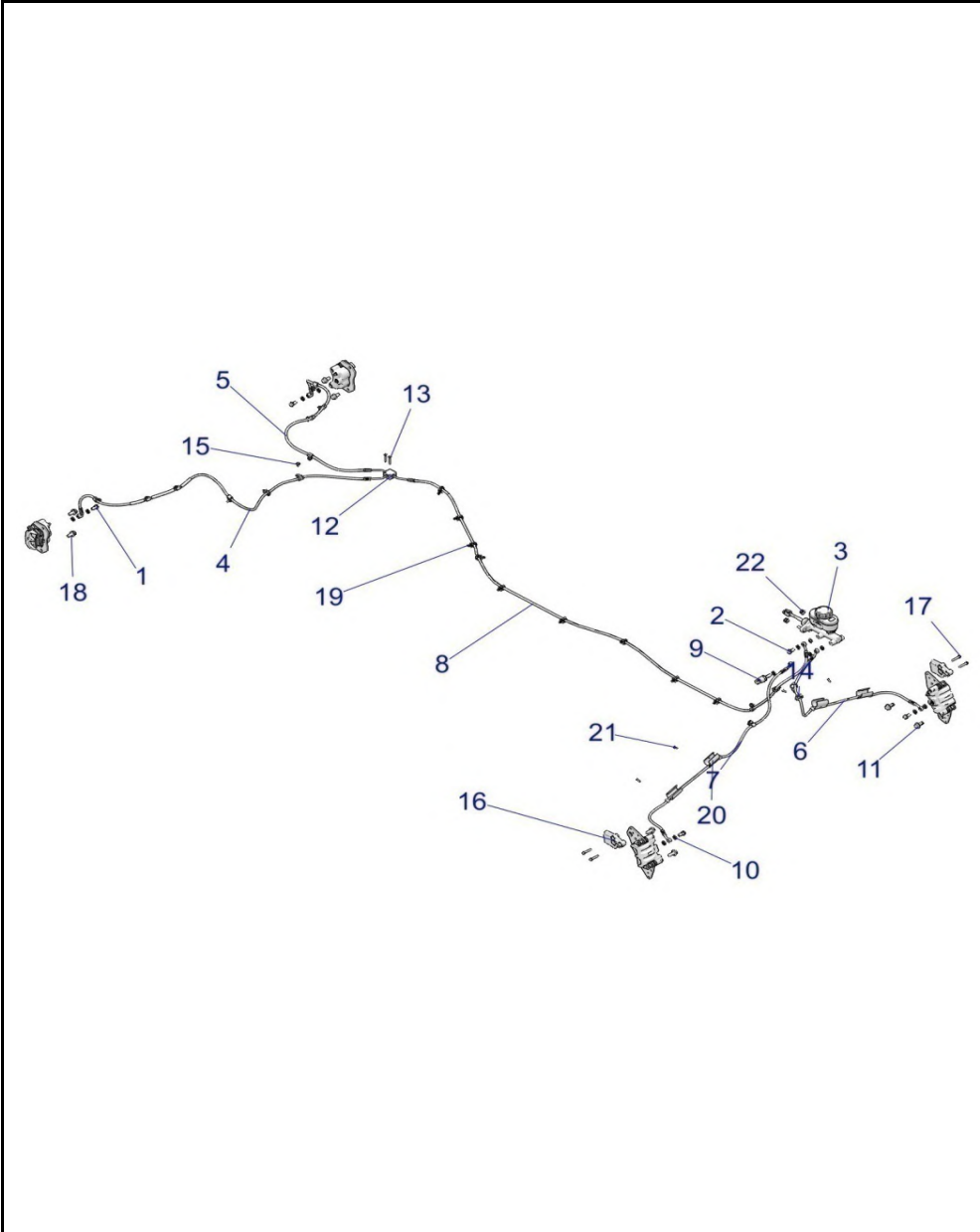
2019 RGR RANGER XP1000 EPS EU/TR/ZUG (R13) - R19RRE99F1/FC/SC1/SCC/SFC/SF1/SJ1/PCC/PFC



POS	SAP	Part Name	Qty
1	1039367	BOLT, BANJO	4
2	1039367	BOLT, BANJO	1
3	1046676	ASM-M/C-T-FLANGE,3/4 BORE	1
4	1046683	LINE-BRK,RR,60,45F,90SB,120°JF	1
5	1046684	LINE-BRK,RL,41.1,45F,90SB,290J	1
6	1046679	LINE-BRK,FL,35.2,45B,20B,120°J	1
7	1046680	LINE-BRK,FR,41.7,70B,20B,85°J	1
8	1046681	LINE-BRK,M/T,69",20B,30F,263°J	1
9	1032907	SWITCH-BRK,M10X1.25,DBL,SEALED	2
10	1011792	SEAL, STAT	13
11	1039704	SCR-HXFL-M10X1.25X25 8.8 Z NY	4
12	1039608	FITTING, TEE, BRAKE	3
13	1039655	SCREW	2
14	1014065	CLIP-ROUTING	1
15	1039657	SCR-10-24X1/2,PHTXTRIRD,SEMS-Y	9
16	1045620	SCRAPER-BRAKE,FRONT	2
17	1014452	SCR-HXFL,M6X1.0X35,W/PATCHLOK	3
18	1039690	SCR-HXFL-M10X1.25X20 8.8 ZOD	4
19	1039813	CLIP-NYLON,C,FIR-TREE	9
20	1045848	RETAINER-BRAKE LINE,1"	4
21	1039807	RIVET	4
22	1014499	NUT- M8X1.25, FLG, NYLOC-OLIVE D	2

# BRAKES, BRAKE LINES AND MASTER CYLINDER

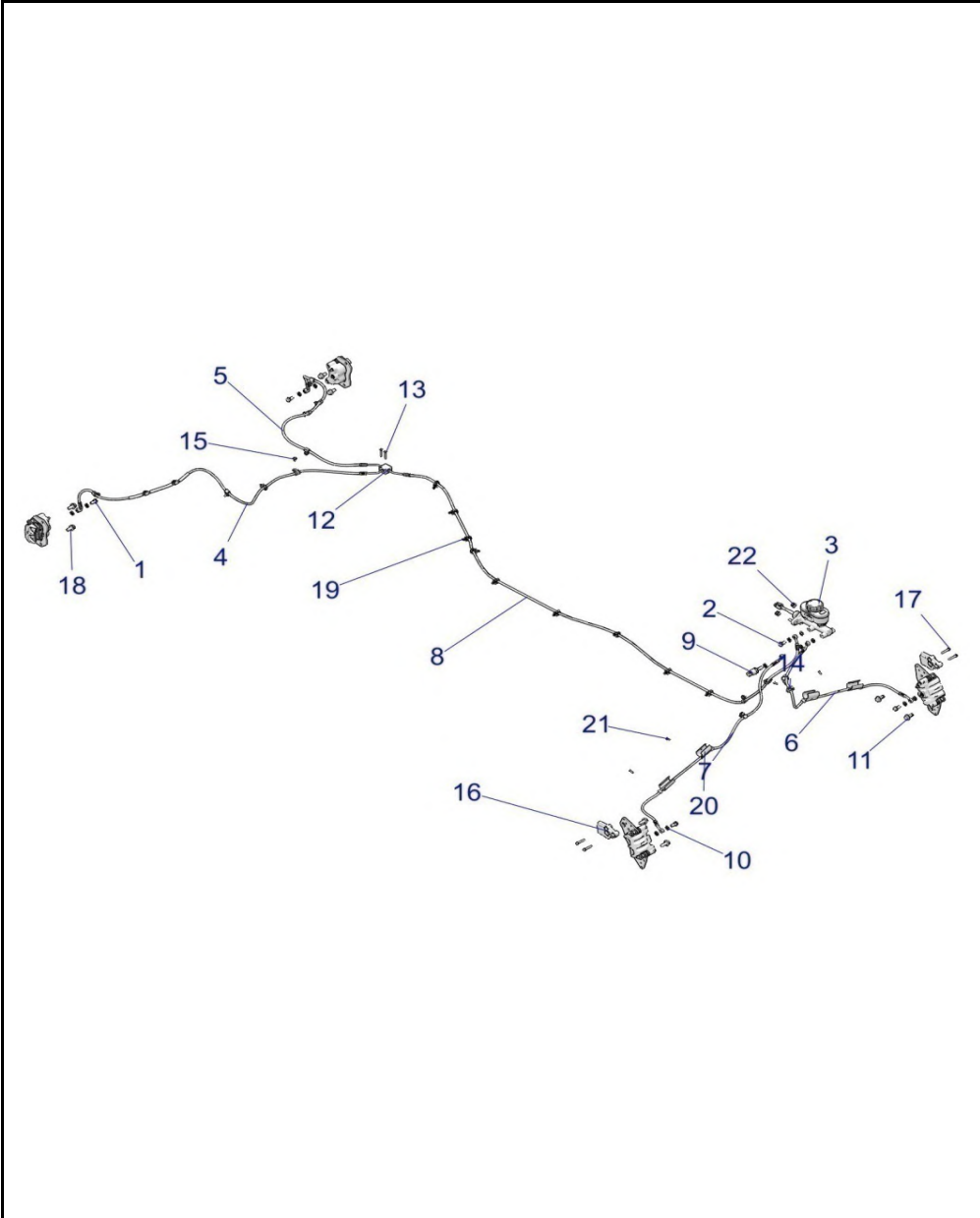
2019 RGR RANGER XP1000 EPS EU/TR/ZUG (R13) - R19RRE99F1/FC/SC1/SCC/SFC/SF1/SJ1/PCC/PFC



POS	SAP	Part Name	Qty
1	1039367	BOLT, BANJO	4
2	1039367	BOLT, BANJO	1
3	1046682	ASM-TANDEM MASTER CYL,FLS [INCL. 28-30]	1
4	1046683	LINE-BRK,RR,60,45F,90SB,120°JF	1
5	1046684	LINE-BRK,RL,41.1,45F,90SB,290J	1
6	1046685	LINE-BRK,FL,42,90FB,20B,126°,J	1
7	1046686	LINE-BRK,FR,33.2,30B,20B,255°J	1
8	1046687	LINE-BRK,RRM,78,90FB,20F,170°J	1
9	1046688	SWITCH-BRK,M10X1.25,SGL,NO RES	2
10	1011792	SEAL, STAT	13
11	1046689	FITTING-TEE,BRAKE ONE PC ABS	1
12	1046690	BRKT-PRES SWITCH COVER,RGR ABS	1
13	1045620	SCRAPER, BRAKE, FRONT	2
14	1045848	RETAINER-BRAKE LINE,1"	4
15	1039807	RIVET-POP 5/32(.251-.375)-ST-B	10
16	1014065	CLIP-ROUTING	8
17	1046691	SCREW	2
18	1039657	SCR-10-24X1/2,PHTXTRIRD,SEMS-Y	3
19	1040213	SCR-M6X1.0X25-HX/FL-Y/D	4
20	1039746	SCREW	2
21	1039704	BOLT, HEX FLANGE W/PATCH	4
22	1014499	NUT- M8X1.25, FLG, NYLOC-OLIVE D	2
23	1039813	CLIP-NYLON,C,FIR-TREE	3
24	1045802	CLIP-ROSEBUD	8
25	1046692	SCREW-NO10 UNC-24X1-1/4"	4
26	1039690	SCR-HXFL-M10X1.25X20 8.8 ZOD	4
27	1014589	RIVET-TUFLOK,.315-.325X.787	3
28	1046693	KIT-SERVICE,CAP ASM,TNDM MC,HB [INCL. GASKET, PLATE, COVER]	1

# BRAKES, BRAKE LINES AND MASTER CYLINDER

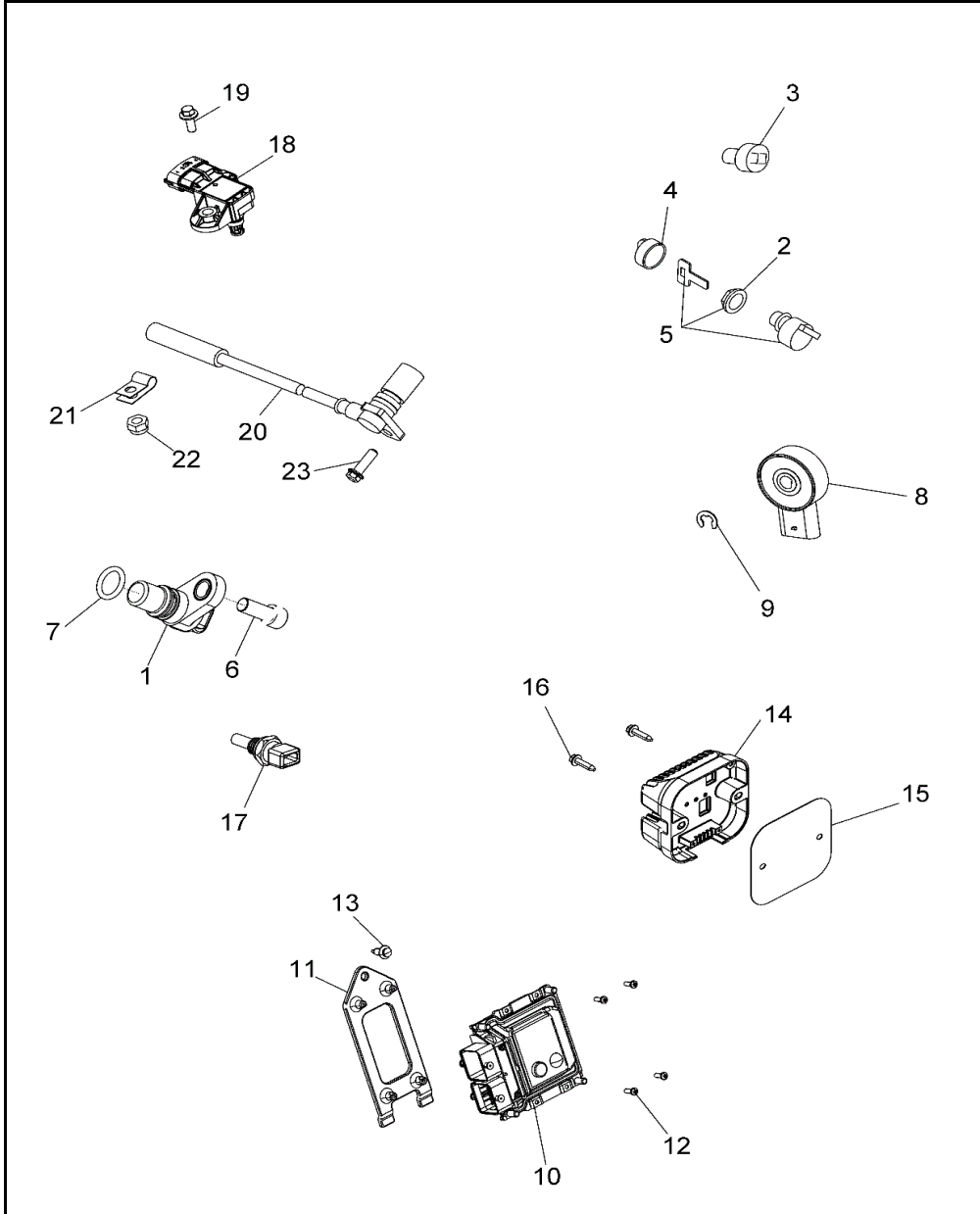
2019 RGR RANGER XP1000 EPS EU/TR/ZUG (R13) - R19RRE99F1/FC/SC1/SCC/SFC/SF1/SJ1/PCC/PFC



POS	SAP	Part Name	Qty
29	1045844	KIT-NUTS,CLEVIS,M/C TANDEM [INCL. 2 NUTS]	1
30	1045843	KIT, CLEVIS	1
31	1039612	PANDUIT STRAP	2
32	1046694	ASM-HECU ABS,PROG,ZEUS,MY19	1
33	1046695	LINE-BRK,LIP,80,30B,20F,155°,J	1
34	1046696	LINE-BRK,RLM,8.3,90FB,90B,150°	1
35	1046697	LINE-BRK,FRM,12,90FB,20B,80°J	1
36	1046698	LINE-BRK,M1,23,90B,20B,228°,J	1
37	1046699	LINE-BRK,M2,23.6,70B,20B,305°J	1
38	1046700	BOLT-BANJO-X-SHORT,M12X1.0-6G	2
39	1046701	WASHER-COPPER 12.3 MM X1.5 THK	4
40	1046702	GROMMET-ABS MOUNT	3
41	1046703	SCR-HH-M6X1.0X25 8.8 ZPC SPC	3
42	1046704	FITTING-TEE,BRAKE,ABS RGR	1
43	1039800	WSHR-.344X.750X.062-Y	2

# BRAKES, FRONT CALIPER

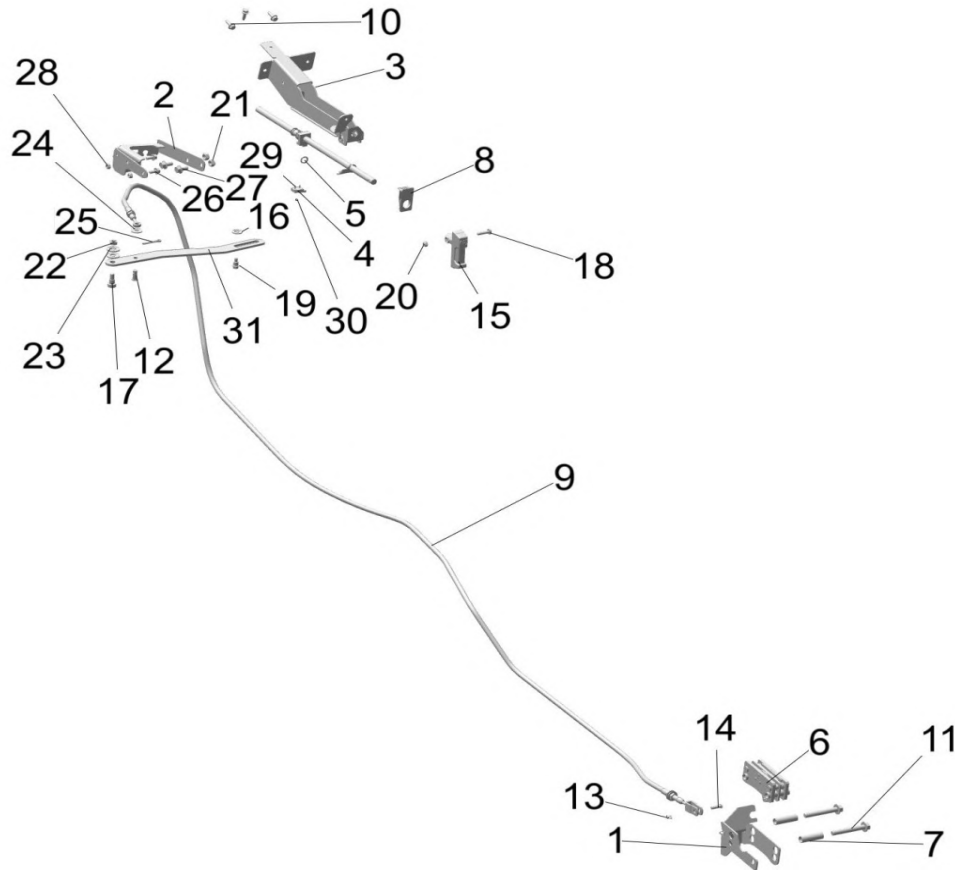
2019 RGR RANGER XP1000 EPS EU/TR/ZUG (R13) - R19RRE99F1/FC/SC1/SCC/SFC/SF1/SJ1/PCC/PFC



POS	SAP	Part Name	Qty
	<a href="#">1046705</a>	ASM-BRK-CAL-L-DB1-3/8-GROOVED [INCL. ALL]	1
	<a href="#">1046706</a>	ASM-BRK-CAL-R-DB1-3/8-GROOVED [INCL. ALL]	1
1	<a href="#">1039374</a>	ASM., CALIPER MOUNT, DOUBLE	1
2	<a href="#">1011199</a>	PISTON, BRAKE, GROOVED	2
3	<a href="#">1011787</a>	BOOT, PIN BUSHING	1
4	<a href="#">1011788</a>	BOOT, PIN SEAL	1
5	<a href="#">1011791</a>	SEAL, CALIPER, INNER	4
6	<a href="#">1014062</a>	SCREW, BLEEDER	1
7	<a href="#">1046707</a>	KIT, BRAKE PAD ASM. [INCL. 2 PADS]	1
8	<a href="#">1014436</a>	SCR-M10X1.0X8,SOC SET-OD	1

# BRAKES, PARK BRAKE

2019 RGR RANGER XP1000 EPS EU/TR/ZUG (R13) - R19RRE99F1/FC/SC1/SCC/SFC/SF1/SJ1/PCC/PFC

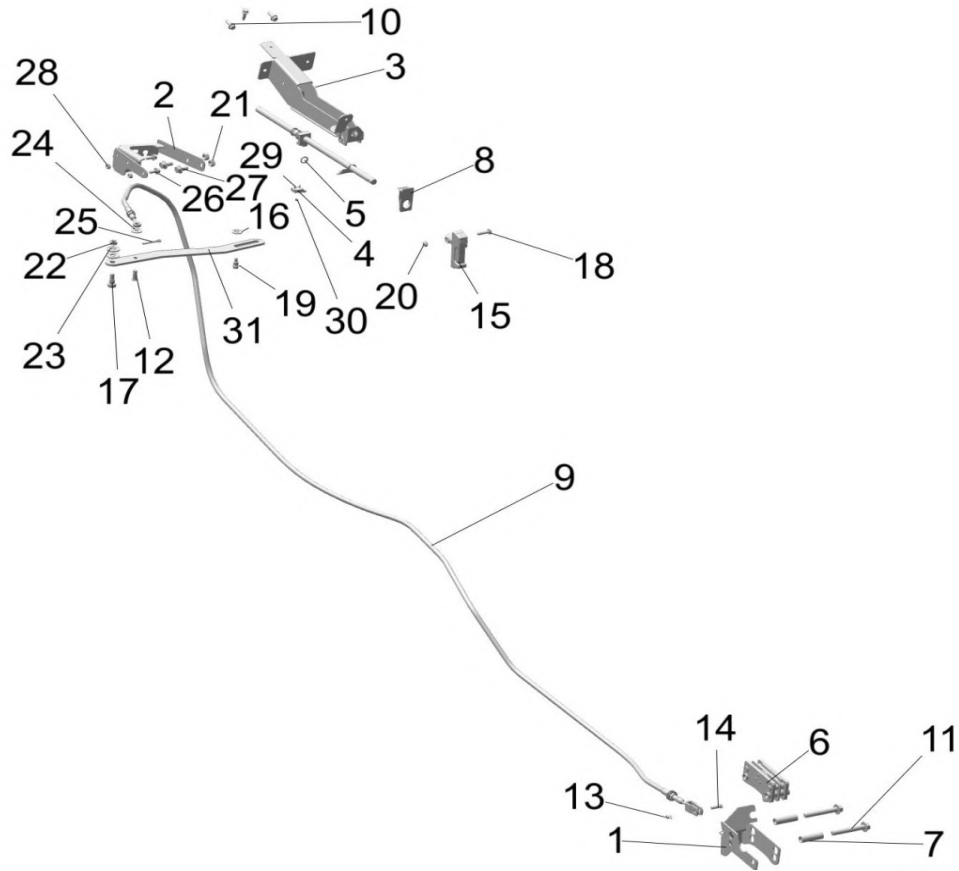


POS	SAP	Part Name	Qty
1	1046708	WELD-BRKT-SHIFT,PB,CABLE,BLK	1
2	1046709	WELD-BRKT-CABLE,PB,BLK	1
3	1046710	WELD-PARK BRAKE BRKT	1
3	1046711	ASM-T LEVER,PARK BRAKE [INCL 3,4,5]	1
4	1046712	SWITCH-PARK BRAKE,SVC	1
5	1046713	RING-RTNG,EXT,11.9X.6,0600096	1
6	1037686	ASM-CLPR,PB,AFT-SB230C,RVT,MNI	1
7	1046714	SPACER,PARKING BRAKE, 46.8	2
8	1046715	PLUG-HOLE,PARK BRAKE	1
9	1046716	CABLE-PARKING BRAKE,FRGR,EU	1
10	1039683	SCR-M6X1.0X20,HXHD,FLG,TDFM,BK	3
11	1039692	BOLT-M10X1.25X70,HXFLG-OLIVE D	2
12	1046717	PIN-CLEVIS,5/16 X 3/4	1
13	1039808	PIN-CLIP,14MM	1
14	1039809	PIN-CLEVIS, 1/4 X 3/4 -Y	1
15	1046718	HANDLE-BRAKE,PARK	1
16	1046719	SPACER-FLAT	1
17	1046720	SCR-SOCHDSHLDR,M8X13,10DX10L	1
18	1046721	SCR-TXPHM6X1.0X25 8.8 RIE	1
19	1046722	BOLT-M6X1.0X8,8 MM SHLD	1
20	1039777	NUT-HEXHD,M6,DIN980V,0600100	1
21	1046077	NUT-M8X1.25C10,HX,NYL,DIN982,Z	2
22	1046723	NUT-HEX-M8X1.25 10 ZY3 P30	1
23	1046724	WSHR-FL .445X1.00X.093-Y	2
24	1046725	WASHER-.315/.325X.88X.075,FL-Y	1
25	1040152	CLIP-HITCHPIN 120X2-3/8-Z	1
26	1046726	SCR-HXFL-M6X1.0X14, 8.8 ZPB	2
27	1046727	SCR-HXFL-M8X1.25X16 8.8 ZPB	2
28	1039773	NUT-6MM X 1 NYLOK-Z	2
29	1046728	SCREW-M2X14	2



# BRAKES, PARK BRAKE

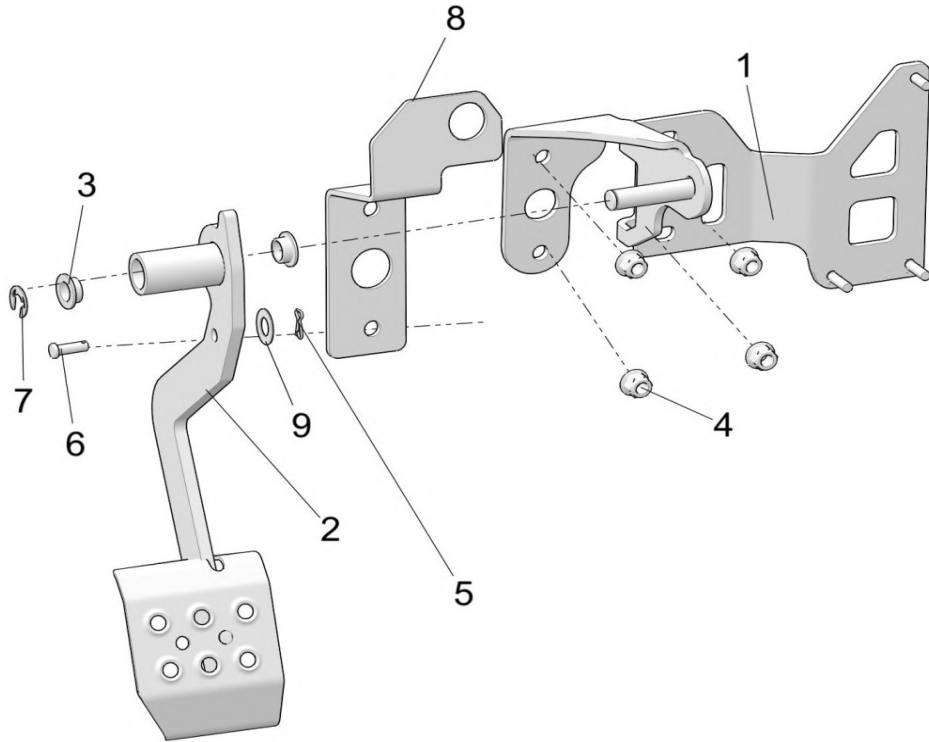
2019 RGR RANGER XP1000 EPS EU/TR/ZUG (R13) - R19RRE99F1/FC/SC1/SCC/SFC/SF1/SJ1/PCC/PFC



POS	SAP	Part Name	Qty
30	<a href="#">1046729</a>	WASHER-M2	2
31	<a href="#">1046730</a>	BRKT-LEVER,BLK	1

# BRAKES, PEDAL

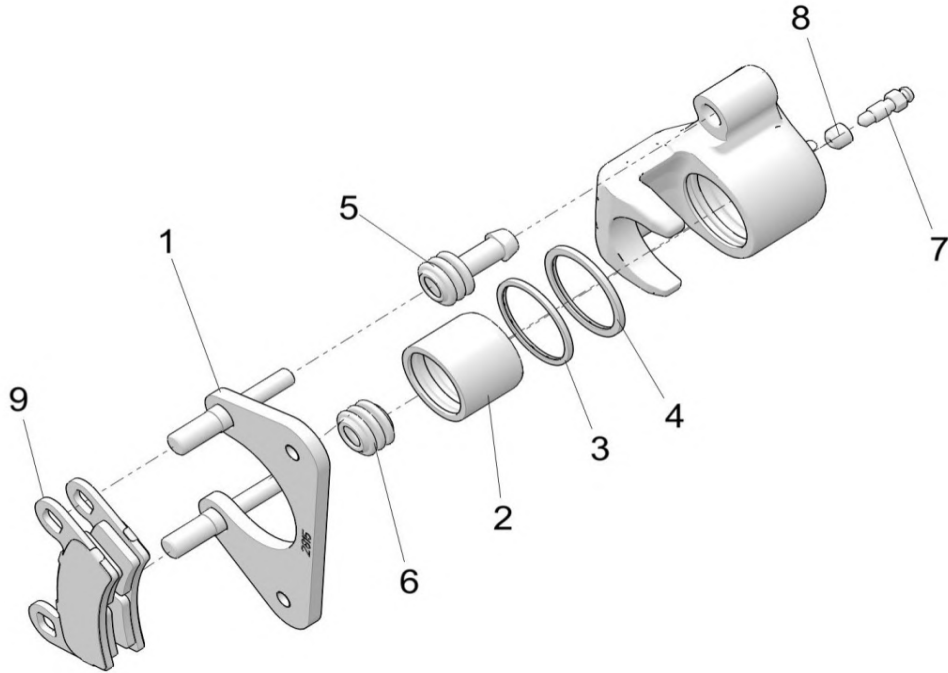
2019 RGR RANGER XP1000 EPS EU/TR/ZUG (R13) - R19RRE99F1/FC/SC1/SCC/SFC/SF1/SJ1/PCC/PFC



POS	SAP	Part Name	Qty
1	<a href="#">1046731</a>	WELD-PEDAL MOUNT,BLK [E99F1,FC,SC1,SCC,,SFC,SF1,SJ1]	1
1	<a href="#">1046732</a>	WELD-PEDAL MOUNT,ABS TR,BLK [P99CC,FC]	1
2	<a href="#">1001526</a>	WELD-BRAKE PEDAL,M.BLK [E99F1,FC][S99FC,F1]	1
2	<a href="#">1046733</a>	WELD-BRAKE PEDAL,TR,M.BLK [S99C1,CC,J1]	1
2	<a href="#">1046734</a>	WELD-BRAKE PEDAL ABS RGR,BLK [P99CC,FC]	1
3	<a href="#">1039567</a>	BUSHING, PEDAL PIVOT	2
4	<a href="#">1014499</a>	NUT- M8X1.25, FLG, NYLOC-OLIVE D	4
5	<a href="#">1046735</a>	PIN-3/32X3/4-COTTER-Y [P99CC,FC]	1
5	<a href="#">1039808</a>	PIN, CLIP [E99F1,FC,SC1,SCC,,SFC,SF1,SJ1]	1
6	<a href="#">1039809</a>	PIN, CLEVIS	1
6	<a href="#">1046736</a>	PIN-CLVS JOINT ISO2341-B-10X26 [P99CC,FC]	1
7	<a href="#">1039821</a>	RING, RETAINING	1
8	<a href="#">1046737</a>	BRKT-TRS,PEDAL MOUNT,BLK [S99C1,CC,J1][P99CC/FC]	1
9	<a href="#">1046738</a>	WASHER-0.75X.400X.03,FL-Y [P99CC,FC]	1

# BRAKES, REAR CALIPER

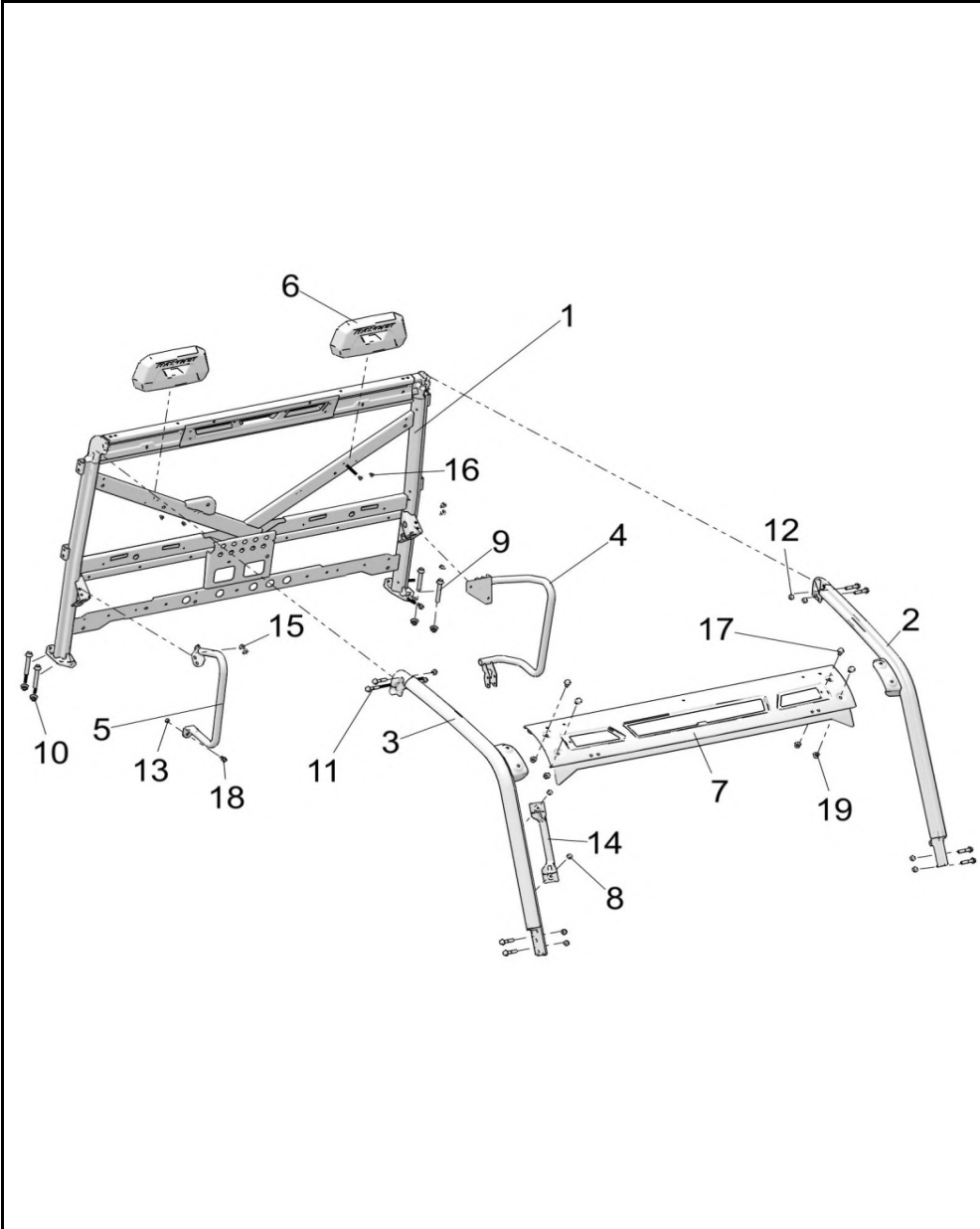
2019 RGR RANGER XP1000 EPS EU/TR/ZUG (R13) - R19RRE99F1/FC/SC1/SCC/SFC/SF1/SJ1/PCC/PFC



POS	SAP	Part Name	Qty
	<a href="#">1046739</a>	ASM-BRK-CAL-RL-SB1.5-GROOVED [INCL. ALL]	1
	<a href="#">1046740</a>	ASM-BRK-CAL-RR-SB1.5-GROOVED [INCL. ALL]	1
1	<a href="#">1046741</a>	ASM-CALIPER MNT,SGL BORE	1
2	<a href="#">1011200</a>	PISTON-BRAKE,1.5,AL,GROOVED	1
3	<a href="#">1011784</a>	SEAL-CALIPER,OUTER,1.50"	1
4	<a href="#">1011783</a>	SEAL-CALIPER INNER,1.50"	1
5	<a href="#">1011787</a>	BOOT, PIN BUSHING	1
6	<a href="#">1011788</a>	BOOT, PIN SEAL	1
7	<a href="#">1014062</a>	SCREW, BLEEDER	1
8	<a href="#">1014436</a>	SCREW	1
9	<a href="#">1005140</a>	KIT, BRAKE PAD ASM. [INCL. 4 PADS]	1
9	<a href="#">1040229</a>	K-BRAKE,HD,PAD,DB1" (HEAVY DUTY) [OPTION][2 PADS PER KIT]	1

# CHASSIS, CAB FRAME

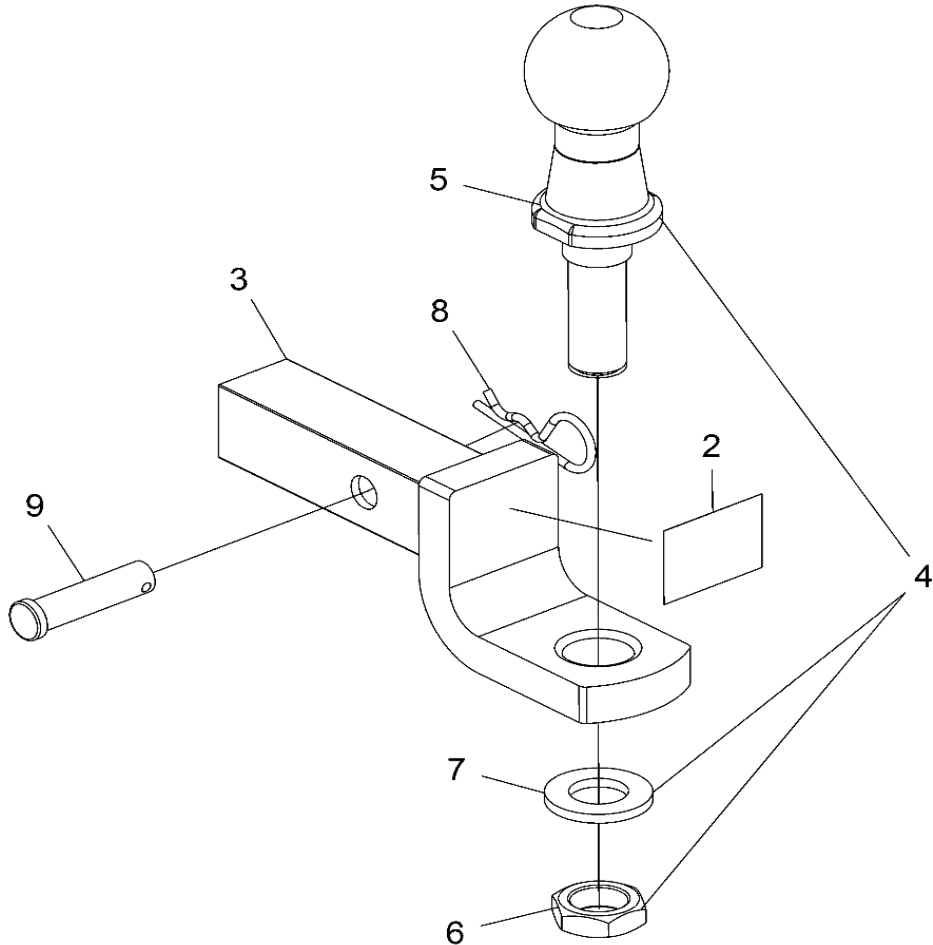
2019 RGR RANGER XP1000 EPS EU/TR/ZUG (R13) - R19RRE99F1/FC/SC1/SCC/SFC/SF1/SJ1/PCC/PFC



POS	SAP	Part Name	Qty
1	1046742	WELD-CAB FRAME,REAR,IS,M.BLK [S99J1]	1
1	1028630	WELD-CAB FRAME,REAR,EU,M.BLK	1
2	1001542	WELD-CAB FRAME,FRT,LH,M.BLK	1
3	1001543	WELD-CAB FRAME,FRT,RH,M.BLK	1
5	1001547	WELD-BOLSTER,RH, M.BLK	1
5	1001546	WELD-BOLSTER,LH, M.BLK	1
6	1011854	HEADREST, BLACK	2
7	1005183	K-PLATE WSHLD MNT, UPR, RGR XP EU [ON VISOR, INCL DECALS][E99F1,FC][P99FC]	1
7	1046743	K-PLATE WSHLD MNT, UPR, RGR XP TR [ON VISOR, INCL DECALS][S99C1,CC,FC,F1,J1][P99CC]	1
8	1039688	SCR-TFHFL-M8X1.25X20 CHS ZOD	2
9	1046744	SCR-HXFL-M12X1.75X90 10.9 ZPC	4
10	1040256	NUT-HXFL M12X1.75 8 ZOD NYL	4
11	1014470	SCR-HXFL-M10X1.5X45 10.9 RIE	8
12	1039793	NUT-HEX-M10X1.5 10 ZB3 NYL	8
13	1040338	NUT-HEX-M8X1.25 10 P&O	2
14	1046745	HANDLE-GRAB,ROPS,BLK	1
15	1014459	SCR-TXTH-M6X1.0X25 ZFB	4
16	1046746	RIVET	4
17	1039759	SCR-HXFL-M10X1.5X20 10.9 RIE P	4
18	1046747	SCR-HXFL-M8X1.25X20 8.8 ZOD P3	2
19	1039793	NUT-HXFL-M10X1.5 8 ZB3 NYL	4

# CHASSIS, HITCH

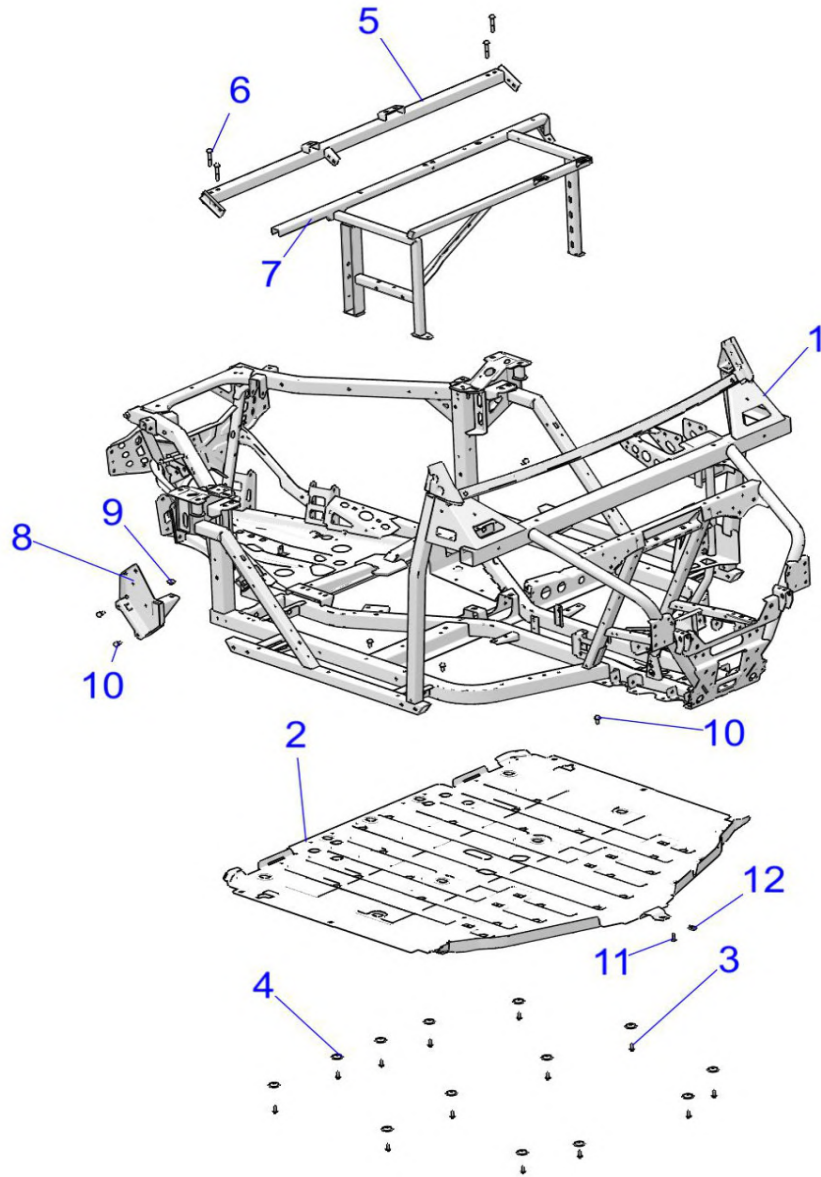
2019 RGR RANGER XP1000 EPS EU/TR/ZUG (R13) - R19RRE99F1/FC/SC1/SCC/SFC/SF1/SJ1/PCC/PFC



POS	SAP	Part Name	Qty
1	1046748	HITCH-RGR [S99C1,CC,F1,J1][P99CC,FC]	1
2	1040338	DECAL-HITCH,RGR,CERTIFD,REG55	1
3	1040338	WELD-HITCH,RGR,EU,M.BLK	1
4	1040338	K-BALL,REAR,TRC/ZUG,R55 [INCL 6,7]	1
5	1040338	HITCH-BALL,REG 55,ATV,TRC/ZUG	1
6	1040338	NUT-HEX,M20X1.5X10	1
7	1040338	WASHER-3/4IN,HARDENED	1
8	1040338	CLIP-HITCHPIN .148X3 1/16	1
9	1040338	PIN-TRAILER,RGR	1

# CHASSIS, MAIN FRAME AND SKID PLATES

2019 RGR RANGER XP1000 EPS EU/TR/ZUG (R13) - R19RRE99F1/FC/SC1/SCC/SFC/SF1/SJ1/PCC/PFC

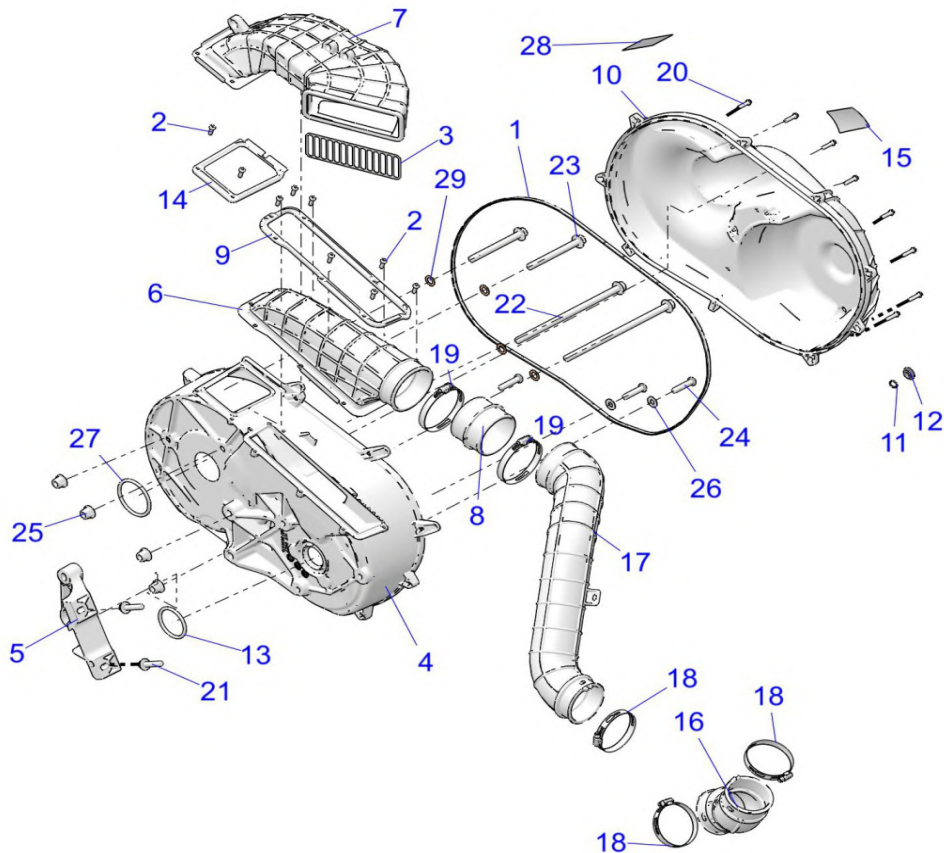


POS	SAP	Part Name	Qty
1	1046749	WELD-MAIN FRAME,BLK	1
2	1039238	PLATE-SKID,BLK	1
3	1039683	SCR-M6X1.0X20,HXHD,FLG,TDFM,BK	13
4	1039802	WASHER-SKID PLATE	13
5	1046750	WELD-CROSSBAR,IS,BLK [S99J1]	1
5	1046751	WELD-CROSSBAR,EU,BLK	1
6	1040241	SCR-HXFL-M8X1.25X55 8.8 ZB	4
7	1046752	WELD-SEAT BASE,MAIN,ECOAT	1
8	1046753	WELD-SEAT SPRT,MNT,PASS,M.BLK	1
9	1039539	GROMMET-SEAT BASE	1
10	1039688	SCR-TFHFL-M8X1.25X20 CHS ZOD	6
11	1014459	SCR-TXTH-M6X1.0X25 ZFB	1
12	1014509	NUT-M6-1.0,U-TYPE (2.5-3.8)	1



# DRIVE TRAIN, CLUTCH COVER AND DUCTING

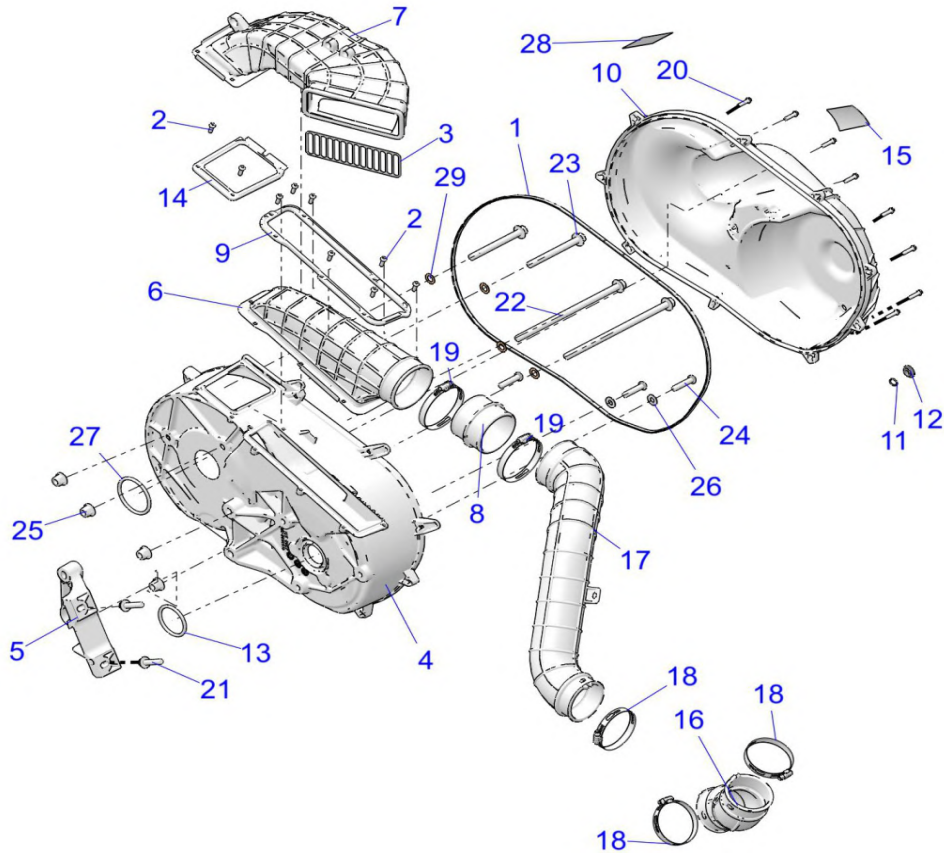
2019 RGR RANGER XP1000 EPS EU/TR/ZUG (R13) - R19RRE99F1/FC/SC1/SCC/SFC/SF1/SJ1/PCC/PFC



POS	SAP	Part Name	Qty
1	1046754	SEAL-OUTER CLUTCH COVER	1
2	1046755	SCR-TXPH-M6X1.0X20 GR5 ZOD	9
3	1046756	BRKT-SCREEN,BELT	1
4	1046757	COVER-CLUTCH,INNER,MACH	1
5	1046758	BRKT-TRANSJOINT,MAG,MACH	1
6	1046759	DUCT-CLUTCH,INLET	1
7	1046760	DUCT-CLUTCH,OUTLET	1
8	1046761	BOOT-HOSE ADAPTER	1
9	1046762	PLATE-INLET CLUTCH DUCT SEAL	1
10	1046763	K-CVR, CLUTCH, OTR, RGR XP, INTL [INCL. 11,12,28]	1
11	1046764	O-RING-0.489X0.629X0.070,EPDM	1
12	1046765	PLUG-DRAIN,9/16-18,PP	1
13	1046766	O-RING-2.25X2.625X.21,FKM	1
14	1046767	MOUNT-OUTLET DUCT	1
15	1039641	DECAL-BELT,WARNING/CHECK	1
16	1046920	HOSE-JOINT	1
17	1046769	HOSE-CLUTCH INLET TO TUNNEL	1
18	1046925	CLAMP-HOSE SLOTTED,75-90 DIA	3
19	1040260	CLAMP-HOSE SLOTTED,89-100 DIA	2
20	1046771	SCR-HXFLG,M6X1.0X25,10.9	9
21	1046772	SCR-HXFL-M10X1.5X1.5 8.8 ZY3	2
22	1046773	SCR-M12X1.75X250 8.8 HX/FL ZOD [P99CC,FC][TO 1/14/2019]	2
22	1046774	SCR-TXBH-M12X1.75X245 8.8 SPC [E99F1,FC][S99CC,C1,FC,F1,J1][P99CC,FC FROM 1/14/2019]	2
23	1046775	SCR-HXFL-M12X1.75X120 [P99CC,FC][TO 1/14/2019]	2
23	1046776	SCR-TXBH-M12X1.75X110 8.8 SPC [E99F1,FC][S99CC,C1,FC,F1,J1][P99CC,FC FROM 1/14/2019]	2

# DRIVE TRAIN, CLUTCH COVER AND DUCTING

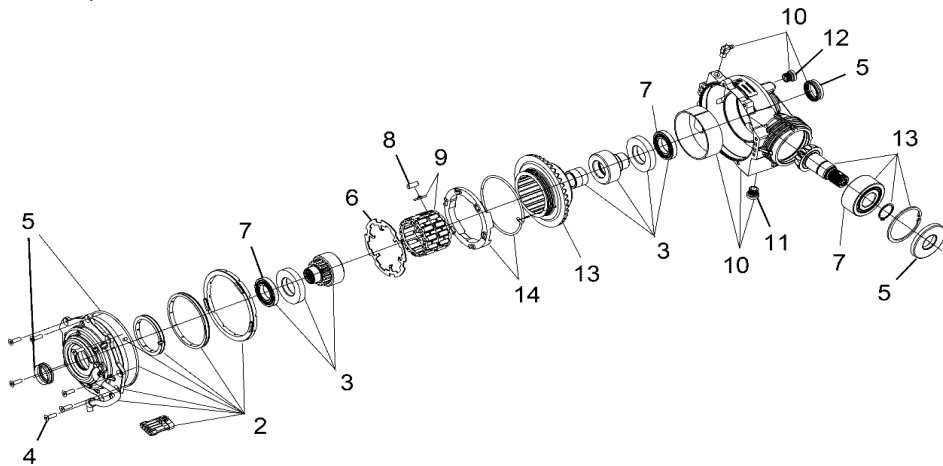
2019 RGR RANGER XP1000 EPS EU/TR/ZUG (R13) - R19RRE99F1/FC/SC1/SCC/SFC/SF1/SJ1/PCC/PFC



POS	SAP	Part Name	Qty
24	<a href="#">1046777</a>	SCR-TXBH-M10X1.5X45 8.8ZOD P30	3
25	<a href="#">1040256</a>	NUT-HXFL M12X1.75 8 ZOD NYL	4
26	<a href="#">1046778</a>	WSHR-10.5X22.0X1.6 SPC	3
27	<a href="#">1046779</a>	O-RING	1
28	<a href="#">1039644</a>	DECAL-WARN,CLUTCH COVER,EU	1
29	<a href="#">1014517</a>	WASHER-.510X.840X.031 Y	4

# DRIVE TRAIN, FRONT GEARCASE (FROM 3/5/2019)

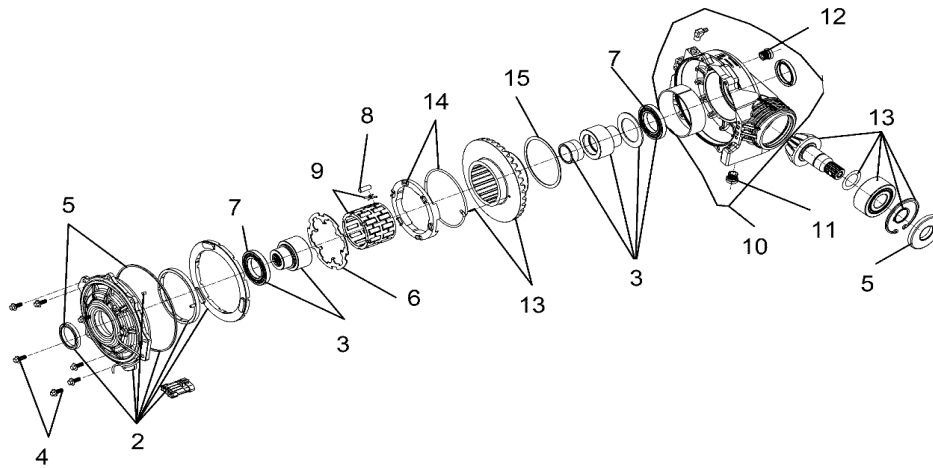
2019 RGR RANGER XP1000 EPS EU/TR/ZUG (R13) - R19RRE99F1/FC/SC1/SCC/SFC/SF1/SJ1/PCC/PFC



POS	SAP	Part Name	Qty
1	<a href="#">1046780</a>	ASM-GEARCASE,FRONT,ABS,EMEA	1
2	<a href="#">1046781</a>	ASM-COVER OUTPUT	1
3	<a href="#">1040269</a>	ASM-OUTPUT HUB,ASSY	1
4	<a href="#">1040270</a>	KIT, FASTENERS	1
5	<a href="#">1040274</a>	KIT SEAL REPAIR	1
6	<a href="#">1039476</a>	PLATE, 4WD ARMATURE	1
7	<a href="#">1035074</a>	KIT BEARING	1
8	<a href="#">1045886</a>	KIT, ROLLERS [INCL. FULL ROLLER SET OF 24]	1
9	<a href="#">1045885</a>	ASM., ZINC ROLL CAGE [INCL. ROLL CAGE AND 24 H-CLIPS]	1
10	<a href="#">1046782</a>	ASM., GEARCASE	1
11	<a href="#">1005147</a>	PLUG, DRAIN	1
12	<a href="#">1005148</a>	PLUG, FILL	1
13	<a href="#">1046791</a>	KIT-GEAR HOUSING & PINION GEAR ASSSY	1
14	<a href="#">1045883</a>	TORSION SPRING AND RETAINER	1

# DRIVE TRAIN, FRONT GEARCASE (TO 3/5/2019)

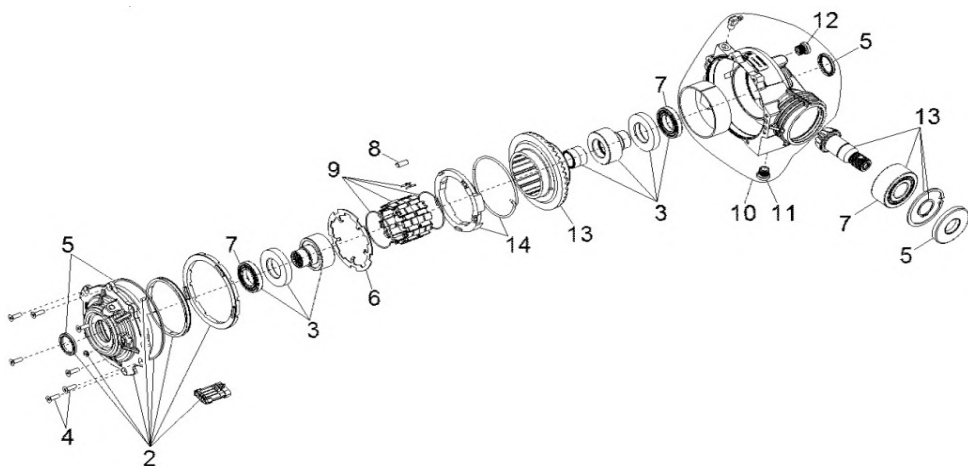
2019 RGR RANGER XP1000 EPS EU/TR/ZUG (R13) - R19RRE99F1/FC/SC1/SCC/SFC/SF1/SJ1/PCC/PFC



POS	SAP	Part Name	Qty
1	<a href="#">1046784</a>	ASM-GEARCASE,FRONT,ABS,EMEA	1
2	<a href="#">1046785</a>	ASM-COVER OUTPUT	1
3	<a href="#">1046786</a>	ASM-OUTPUT HUB,22T	1
4	<a href="#">1039461</a>	KIT, COVER FASTENERS [INCL. 7 FASTENERS]	1
5	<a href="#">1039474</a>	COMPLETE SEAL REPAIR	1
6	<a href="#">1039476</a>	PLATE, 4WD ARMATURE	1
7	<a href="#">1039481</a>	BEARING	1
8	<a href="#">1039462</a>	KIT, CLUTCH, ROLLERS [INCL. FULL ROLLER SET OF 24]	1
9	<a href="#">1039463</a>	ASM., ROLL CAGE [INCL. ROLL CAGE AND 24 H-CLIPS]	1
10	<a href="#">1046787</a>	ASM., GEARCASE	1
11	<a href="#">1005147</a>	PLUG, DRAIN	1
12	<a href="#">1005148</a>	PLUG, FILL	1
13	<a href="#">1046788</a>	ASM-GEAR HOUSING & PINION	1
14	<a href="#">1039464</a>	SPRING, TORSION AND RETAINER	1
15	<a href="#">1039439</a>	SPACER GEAR	1

# DRIVE TRAIN, FRONT GEARCASE

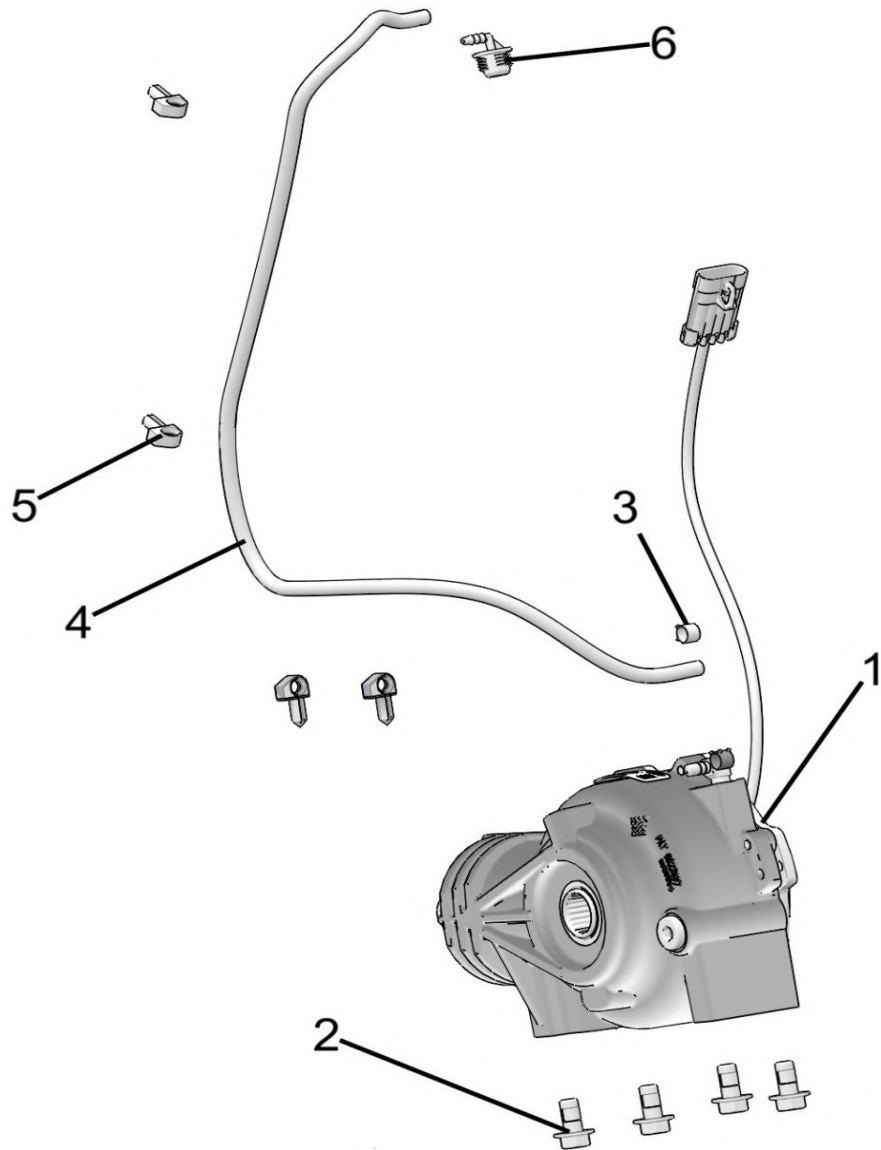
2019 RGR RANGER XP1000 EPS EU/TR/ZUG (R13) - R19RRE99F1/FC/SC1/SCC/SFC/SF1/SJ1/PCC/PFC



POS	SAP	Part Name	Qty
1	<a href="#">1046789</a>	ASM-GEARCASE,FRONT,5 [INCL. ALL][FROM 1/15/2019]	1
1	<a href="#">1046429</a>	ASM., GEARCASE, FRONT [INCL. ALL][TO 1/15/2019]	1
2	<a href="#">1040267</a>	ASSY, COVER OUTPUT W/O-RING, DOWEL PIN, OIL SEAL, COVER, CONNECTOR ASSY, BACKLASH SPACER, 4WD COIL, GROMMET & HEAT SHRINK TUBING	1
3	<a href="#">1040269</a>	KIT, HUB ASSY W/BUSHING, HUB SUB. ASSY & NYLON SPACER	1
4	<a href="#">1040270</a>	KIT, FASTENER W/ALL FASTENERS	1
5	<a href="#">1040274</a>	KIT, SEAL REPAIR W/ALL SEALS	1
6	<a href="#">1039476</a>	PLATE, ARMATURE	1
7	<a href="#">1035074</a>	BEARING, PINION W/ALL BEARINGS	1
8	<a href="#">1045886</a>	KIT, ROLLER W/COMPLETE SET OF ROLLER	1
9	<a href="#">1045885</a>	ASM., ROLL CAGE W/ROLL CAGE & SPRING WIRE FOR H-CLIP	1
10	<a href="#">1040278</a>	KIT, GEARCASE ASSY W/HOSE FITTING, BUSHING, SEAL, GEARCASE, FILL PLUG & DRAIN PLUG[TO 1/15/2019]	1
10	<a href="#">1046790</a>	KIT-GEARCASE ASM W/HOSE FITTING, BUSHING, SEAL, GEARCASE, FILL PLUG & DRAIN PLUG[FROM 1/15/2019]	1
11	<a href="#">1005147</a>	PLUG, DRAIN	1
12	<a href="#">1005148</a>	PLUG, FILL	1
13	<a href="#">1046430</a>	KIT, GEAR HOUSING & PINION W/RING GEAR ASSY, PINION, BEARING, INTERNAL RING & SHAFT RING[TO 1/15/2019]	1
13	<a href="#">1046791</a>	K-GEAR CLTCH HOUSING & PINION W/RING GEAR ASSY, PINION, BEARING, INTERNAL RING & SHAFT RING[FROM 1/15/2019]	1
14	<a href="#">1045883</a>	KIT, SPRING W/TORSION SPRING & SPRINT RETAINER ASSY	1

## DRIVE TRAIN, FRONT GEARCASE MOUNTING

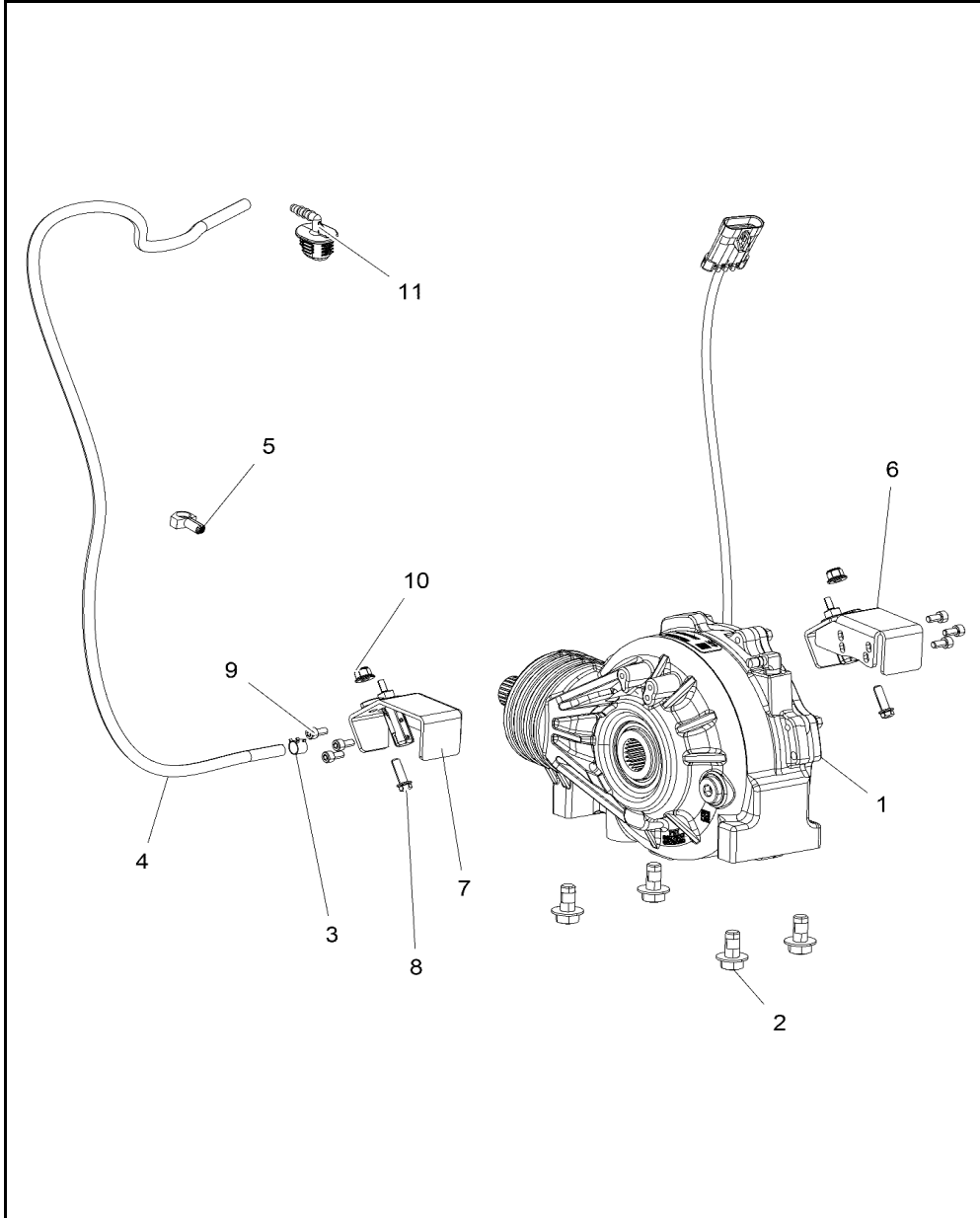
2019 RGR RANGER XP1000 EPS EU/TR/ZUG (R13) - R19RRE99F1/FC/SC1/SCC/SFC/SF1/SJ1/PCC/PFC



POS	SAP	Part Name	Qty
1	<a href="#">1040338</a>	ASM., GEARCASE, FRONT	1
2	<a href="#">1039672</a>	SCR-HXFL-M10X1.5X20 8.8 Z NYL	4
3	<a href="#">1039613</a>	CLAMP, HOSE	1
4	<a href="#">1046793</a>	LINE-BOOST,3/16 ID,76CM	1
5	<a href="#">1039816</a>	CLIP	2
6	<a href="#">1045149</a>	FITTING-VENT LINE,90	1

# DRIVE TRAIN, FRONT GEARCASE MOUNTING

2019 RGR RANGER XP1000 EPS EU/TR/ZUG (R13) - R19RRE99F1/FC/SC1/SCC/SFC/SF1/SJ1/PCC/PFC

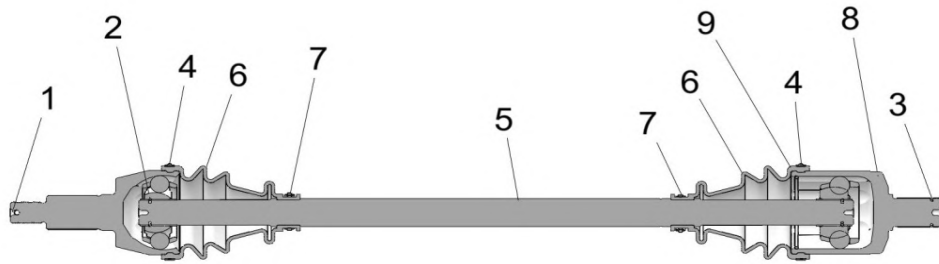


POS	SAP	Part Name	Qty
1	1040338	ASM., GEARCASE, FRONT	1
2	1039672	SCR-HXFL-M10X1.5X20 8.8 Z NYL	4
3	1039613	CLAMP, HOSE	1
4	1046793	LINE-BOOST,3/16 ID,76CM	1
5	1039816	CLIP	4
6	1046794	BRKT-MOUNT,ABS,LH,FRT WSS,BLK	1
7	1046795	BRKT-MOUNT,ABS,RH,FRT WSS,BLK	1
8	1039698	SCR-HXFL-M6X1.0X20 8.8 ZY3	2
9	1039665	SCR-M5X0.8X10 SOC/CP-D	6
10	1039782	NUT-M6 FLANGE,NYLOC	2
11	1045149	FITTING-VENT LINE,90	1



# DRIVE TRAIN, FRONT HALF SHAFT

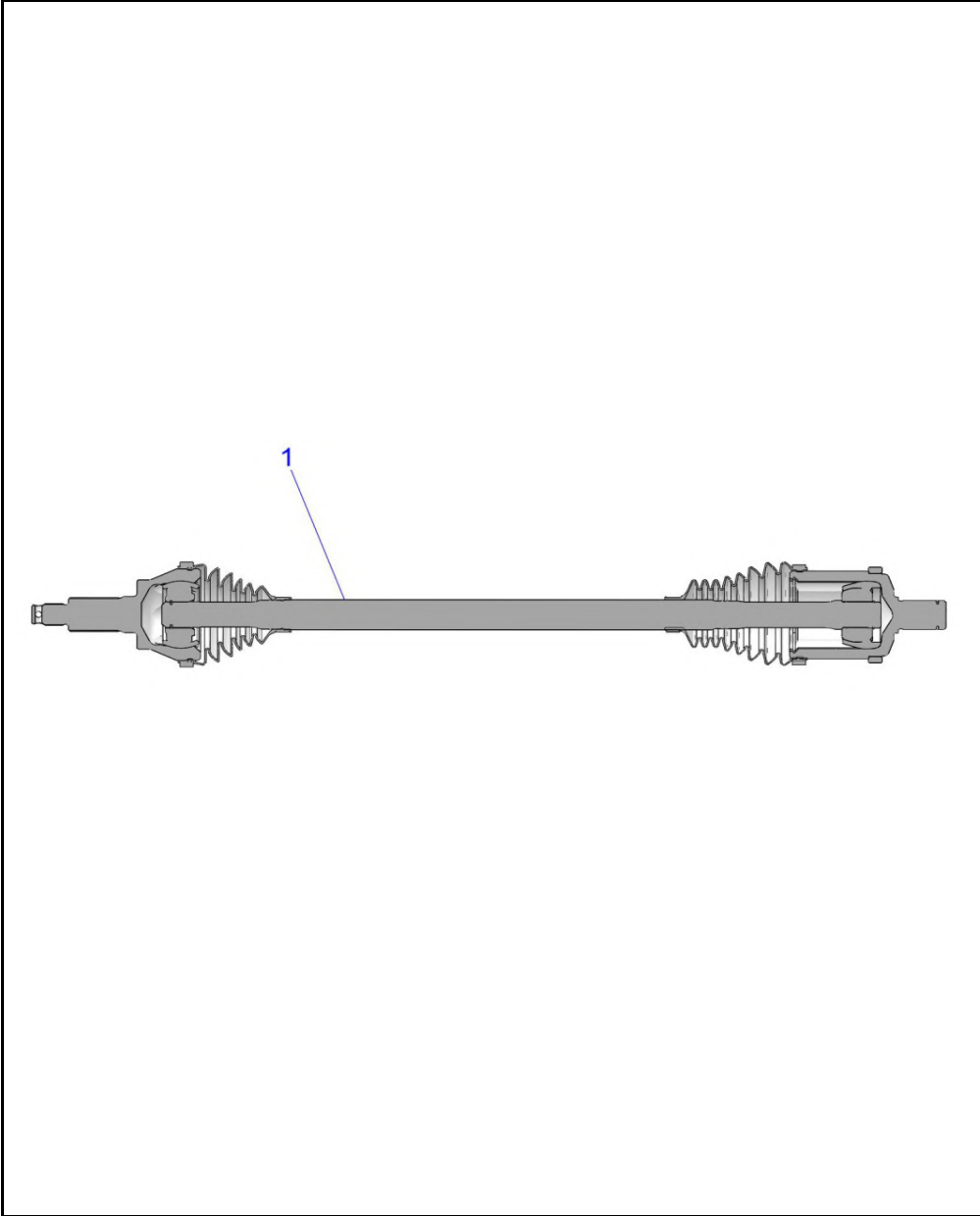
2019 RGR RANGER XP1000 EPS EU/TR/ZUG (R13) - R19RRE99F1/FC/SC1/SCC/SFC/SF1/SJ1/PCC/PFC



POS	SAP	Part Name	Qty
	<a href="#">1040346</a>	GREASE	2
	<a href="#">1045154</a>	CV JOINT BOOT KIT [INCL. 2,4,6,7 and 9]	2
	<a href="#">1002877</a>	ASM-HALFSHAFT, FRONT,LT	1
1	<a href="#">1039228</a>	CV JOINT	1
2	<a href="#">1045155</a>	CIRCLIP	2
3	<a href="#">1045651</a>	CIRCLIP	2
4	<a href="#">1040292</a>	CLAMP, LARGE	2
5	<a href="#">1039178</a>	SHAFT	1
6	<a href="#">1040288</a>	BOOT	2
7	<a href="#">1040345</a>	SMALL CLAMP	2
8	<a href="#">1039227</a>	PLUNGING JOINT	1
9	<a href="#">1045890</a>	SNAP RING	1

# DRIVE TRAIN, FRONT HALF SHAFT

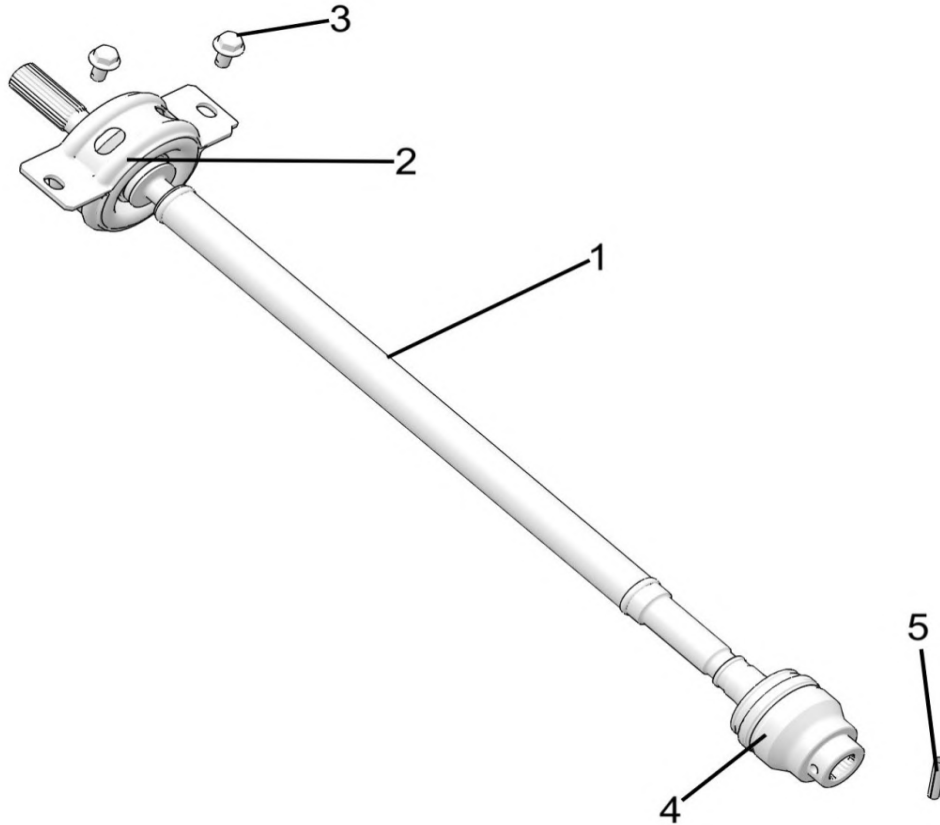
2019 RGR RANGER XP1000 EPS EU/TR/ZUG (R13) - R19RRE99F1/FC/SC1/SCC/SFC/SF1/SJ1/PCC/PFC



POS	SAP	Part Name	Qty
1	1046796	ASM-HALFSHAFT, FRONT,LT	1

# DRIVE TRAIN, FRONT PROP SHAFT

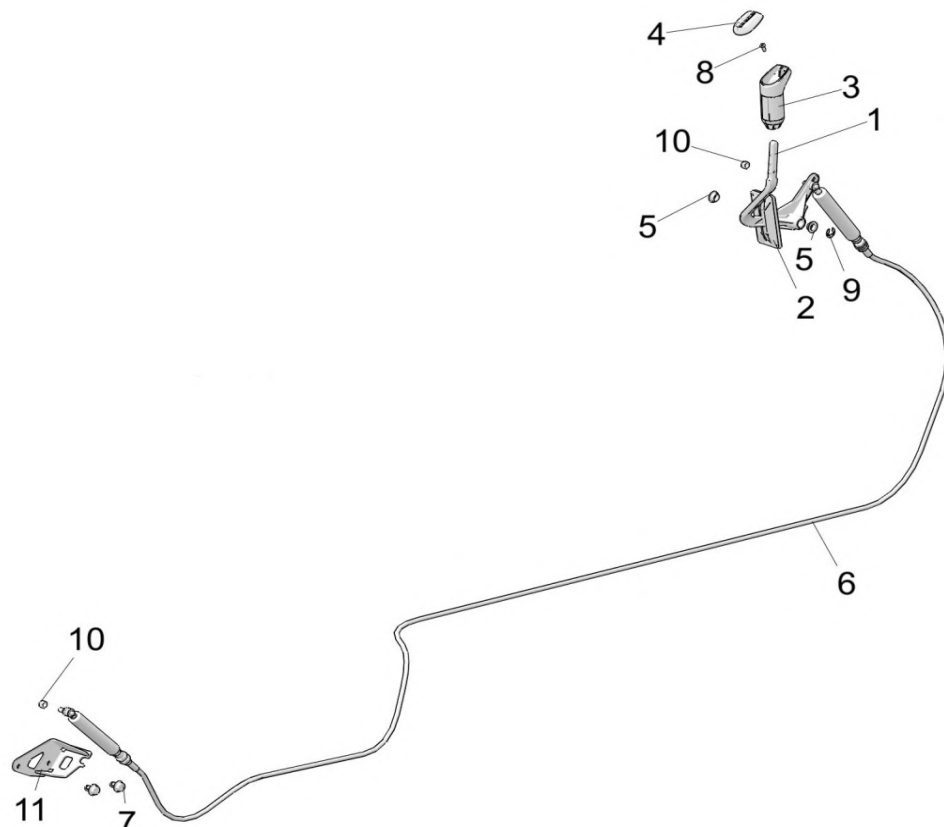
2019 RGR RANGER XP1000 EPS EU/TR/ZUG (R13) - R19RRE99F1/FC/SC1/SCC/SFC/SF1/SJ1/PCC/PFC



POS	SAP	Part Name	Qty
1	<a href="#">1046797</a>	ASM., PROPSHAFT, FRONT [INCL. 2-5]	1
2	<a href="#">1046798</a>	ASM., BEARING, FLEX	1
3	<a href="#">1039672</a>	SCR-HXFL-M10X1.5X20 8.8 Z NYL	2
4	<a href="#">1040338</a>	ASM CV	1
5	<a href="#">1039810</a>	PIN-SPRING,5/16 X 1 5/8-Y	1

# DRIVE TRAIN, GEAR SELECTOR

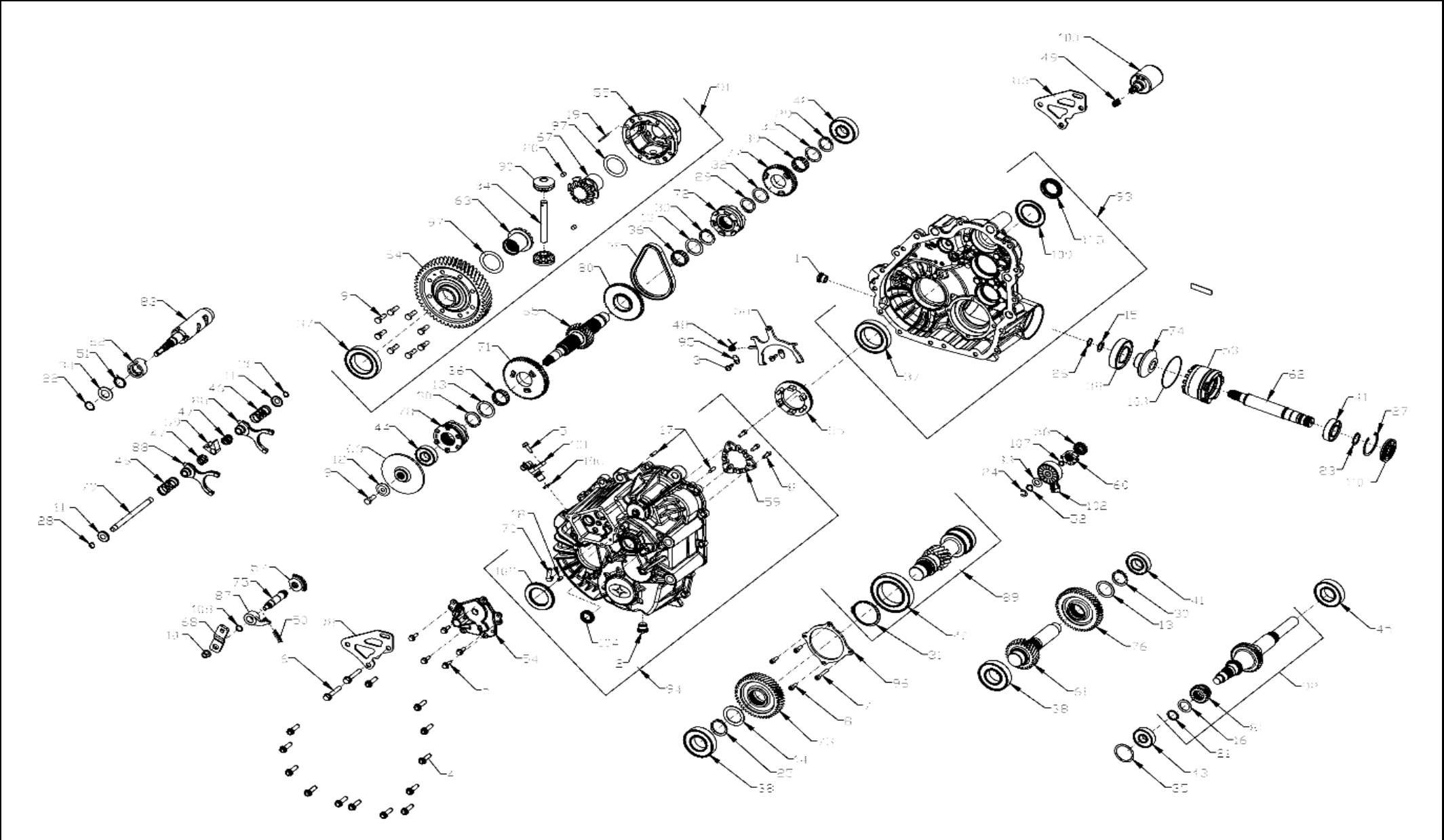
2019 RGR RANGER XP1000 EPS EU/TR/ZUG (R13) - R19RRE99F1/FC/SC1/SCC/SFC/SF1/SJ1/PCC/PFC



POS	SAP	Part Name	Qty
1	<a href="#">1039159</a>	SHIFT-LEVER,CAST,M.BLK [FROM 1/14/2019]	1
1	<a href="#">1046799</a>	SHIFT-LEVER,CAST,M.BLK [TO 1/14/2019]	1
2	<a href="#">1046800</a>	GROMMET-SHIFTER	1
3	<a href="#">1011989</a>	KNOB-SHIFTER,BLK	1
4	<a href="#">1039160</a>	COVER-SHIFTER KNOB,BLK	1
5	<a href="#">1039567</a>	BUSHING, PEDAL PIVOT	2
6	<a href="#">1014086</a>	CABLE-SHIFTER [FROM 1/1/2019]	1
6	<a href="#">1046801</a>	CABLE-SHIFTER [TO 1/1/2019]	1
7	<a href="#">1039688</a>	SCR-TFHFL-M8X1.25X20 CHS ZOD	2
8	<a href="#">1039654</a>	SCREW	1
9	<a href="#">1039821</a>	RING, RETAINING	2
10	<a href="#">1039779</a>	NUT, NYLOK	2
11	<a href="#">1040338</a>	BRKT-SHIFT CABLE	1

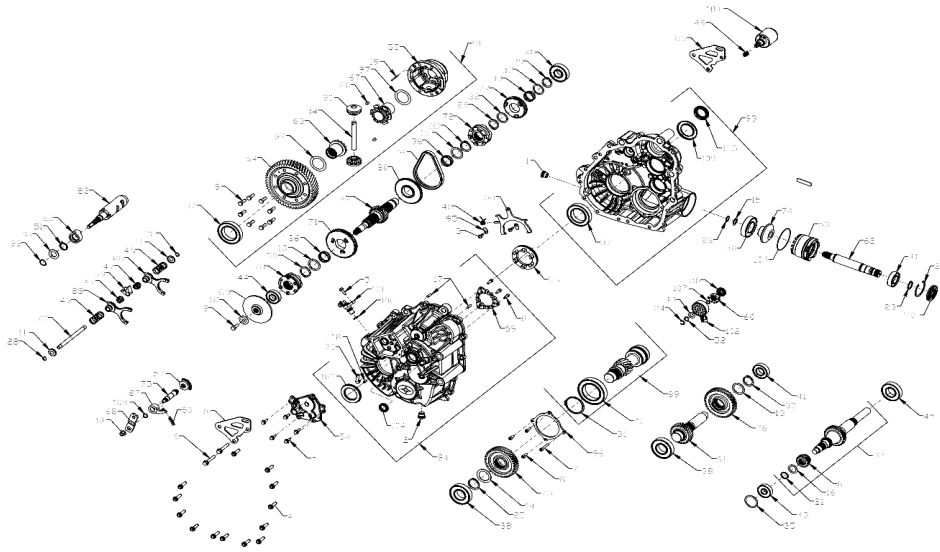
**DRIVE TRAIN, MAIN GEARCASE INTERNALS**

2019 RGR RANGER XP1000 EPS EU/TR/ZUG (R13) - R19RRE99F1/FC/SC1/SCC/SFC/SF1/SJ1/PCC/PFC



# DRIVE TRAIN, MAIN GEARCASE INTERNALS

2019 RGR RANGER XP1000 EPS EU/TR/ZUG (R13) - R19RRE99F1/FC/SC1/SCC/SFC/SF1/SJ1/PCC/PFC

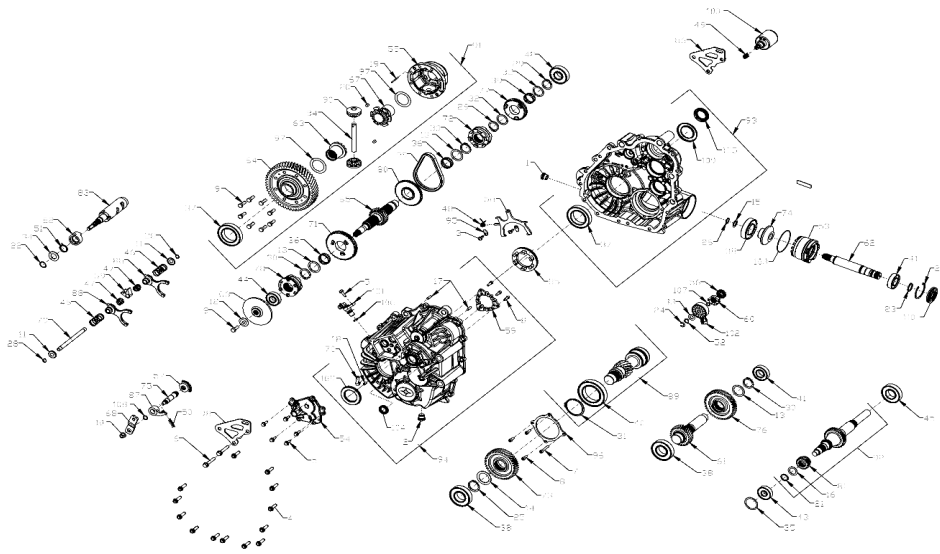


POS	SAP	Part Name	Qty
	1046802	ASM-GEARCASE,BEVEL,HD [INCL ALL]	1
1	1034629	PLUG M18 X 1.5	1
2	1007449	PLUG M18 X 1.5, MAGNETIC	1
3	1040304	SCREW, TORX PAN HD M6 X 1 X 16	2
4	1039441	SCREW, HEX FLANGE HEAD M8 X 1.25 X 30	13
5	1039443	SCREW, HEX FLANGE HEAD M6 X 1 X 20	6
6	1039444	SCREW, HEX FLANGE M8 X 50	2
7	1039445	SCREW, SOCKET HEAD CAP, M6 X 1 X 40	1
8	1039458	SCREW, SOCKET HEAD CAP, M6 X 1 X 18	6
9	1045656	SCREW, CAP HH M8-1.25 X 25	7
10	1039446	NUT, LOCK HEX FLANGE NYLON M8 X 1.25	1
11	1039308	WASHER, CUP	2
12	1040307	WASHER, BELLEVILLE 5/16 X 1.25 X 0.09	1
13	1039447	WASHER 32.3 X 42 X 1.5	3
14	1007454	WASHER 35.6 X 50 X 1.5	1
15	1039450	WASHER 17.3 X 25 X 1.5	1
16	1046803	WASHER 22.7 X 32 X 1.5	1
17	1039438	PIN, DOWEL 6 X 20	2
18	1039604	PIN, SPRING SLOTTED 6 X 12	1
19	1045657	PIN, DOWEL 3 X 40	1
20	1045658	PIN, DOWEL 8 X 10	2
21	1045164	RING, RETAINING BASIC EXTERNAL	1
22	1039310	RING, RETAINING BASIC EXTERNAL 0.75	1
23	1039421	RING, RETAINING BASIC EXTERNAL 0.984	1
24	1039426	RING SNAP	1
25	1007433	RING, RETAINING SHAFT, DIA. 1.375	1
26	1039437	RING, RETAINING EXTERNAL SHR-66	1
27	1039432	RING, RETAINING BASIC INTERNAL 2.047	1
28	1039428	RING, RETAINING BASIC EXTERNAL-.428	2
29	1039430	RING, RETAINING	2



# DRIVE TRAIN, MAIN GEARCASE INTERNALS

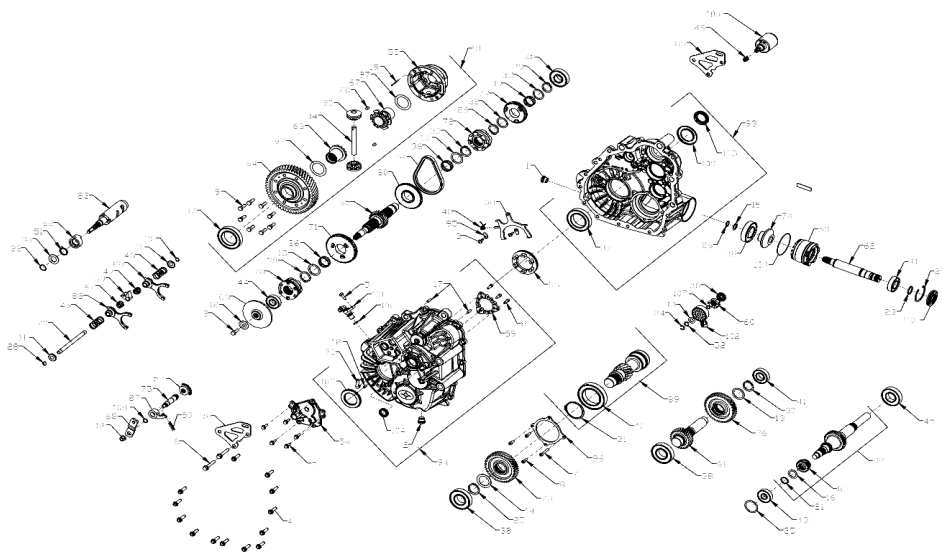
2019 RGR RANGER XP1000 EPS EU/TR/ZUG (R13) - R19RRE99F1/FC/SC1/SCC/SFC/SF1/SJ1/PCC/PFC



POS	SAP	Part Name	Qty
30	1039451	RING, EXTERNAL SNAP 32 X 2.4	3
31	1039311	RING, RETAINING VSH-237	1
32	1039423	WASHER, THRUST 1.187 X 1.5 X 0.06	2
33	1039440	WASHER, THRUST .446 X 0.88 X 0.025	1
34	1039312	SPACER, 19.4 X 34 X 2	1
35	1046804	SHIM 46.1 OD X 38 ID	1
36	1039419	BEARING, NEEDLE CAGE ASSY	2
37	1039314	BEARING, BALL 6010 C3 50X80X16	2
38	1007437	BEARING, BALL 6207 C3 35X72X17	3
39	1039424	BEARING, NEEDLE CAGE ASSY	1
40	1039309	BEARING, BALL 6012 C3 60 X 95 X 18	1
41	1046805	BEARING, BALL 6205R 25X52X15	2
42	1046806	BEARING, BALL 6305RSH2 C3 25MMX62MMX17MM	1
43	1046807	BEARING, BALL 6303RSH2 17 X 47 X 14	1
44	1046808	BEARING, BALL 6204RSH2 C3 20X47X14	1
45	1046809	BEARING, BALL 62/32	1
46	1039291	SPRING, COMPRESSION .92 O.D. X 2	2
47	1039292	SPRING, COMPRESSION .46 I.D. X 0.73	2
48	1040313	SPRING, TORSION RETURN	1
49	1040314	SPRING, COMP. .54 OD X 0.44 ID X 0.05 WIRE	1
50	1007444	SPRING, COMPRESSION	1
51	1039293	SPRING, TORSION	1
52	1039456	SPRING, WASHER	1
53	1046810	TUBE, SNORKEL MACH	1
54	1046811	COVER, SECTOR GEARS MACH	1
55	1045659	CARRIER, DIFFERENTIAL MACH	1
56	1039294	GEAR, SECTOR 16T	1
57	1039295	GEAR, SECTOR 31T	1
58	1040315	FORK, PIVOT SHIFT REAR DIFF	1
59	1039296	PLATE, PARK 12-FACE	1

## DRIVE TRAIN, MAIN GEARCASE INTERNALS

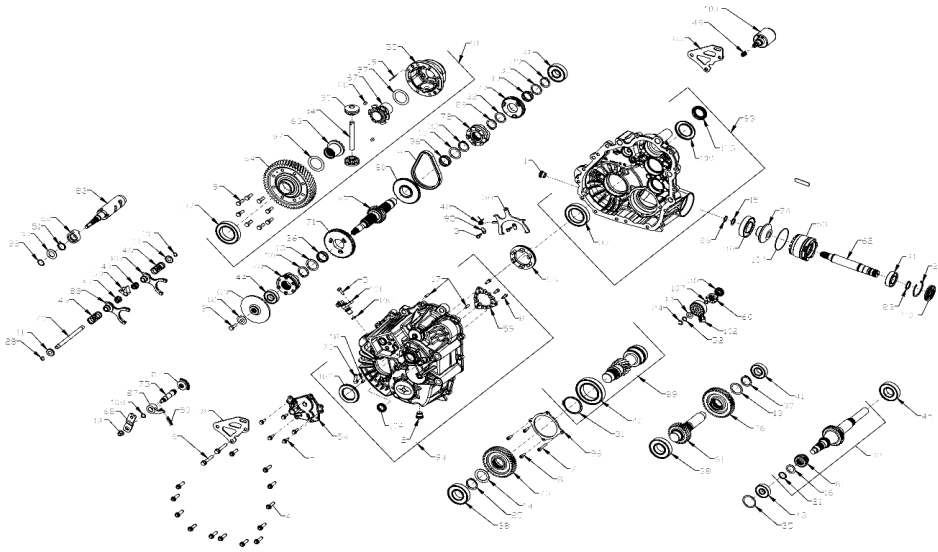
2019 RGR RANGER XP1000 EPS EU/TR/ZUG (R13) - R19RRE99F1/FC/SC1/SCC/SFC/SF1/SJ1/PCC/PFC



POS	SAP	Part Name	Qty
60	1039297	STAR, DETENT	1
61	1007455	SHAFT, IDLER 29T	1
62	1046812	SHAFT, FRONT OUTPUT	1
63	1045660	GEAR, OUTPUT 14T MACH	1
64	1045661	GEAR, 53T OUTPUT	1
65	1046813	SHAFT, REVERSE 25T	1
66	1046814	DISC, BRAKE	1
67	1045662	GEAR, OUTPUT 14T DISCONNECT MACH	1
68	1046815	BELLCRANK, ZEUS INT'L	1
69	1039300	COLLAR, SHIFT	1
70	1039431	TUBE, VENT 90 -1/4" HOSE	1
71	1046816	GEAR, LOW 67T	1
72	1039301	ENGAGEMENT DOG, 6-FACE	1
73	1007456	GEAR, 46T STAGE 3	1
74	1039454	GEAR, 13T SNORKEL	1
75	1039455	SHAFT SHIFT	1
76	1046817	GEAR, 48T STAGE 2	1
77	1046818	GEAR, 49T	1
78	1039303	SHIFT DOG, PARK	1
79	1039304	RAIL, SHIFT SHAFT	1
80	1007463	SPROCKET 48T 6-FACE	1
81	1046819	GEAR, LOW 25T	1
82	1039471	PARK CAM	1
83	1039472	DRUM, SHIFT MACH	1
84	1045663	PIN, DIFFERENTIAL	1
85	1045664	DOG, ENGAGEMENT	1
86	1046820	WELDMENT, REAR MOUNT BRACKET	1
87	1007457	SUBASSEMBLY, PAWL, DETENT, ROLLER	1
88	1039307	SUBASSEMBLY, SHIFT FORK	2
89	1046821	SUBASSEMBLY PINION 11T	1

## DRIVE TRAIN, MAIN GEARCASE INTERNALS

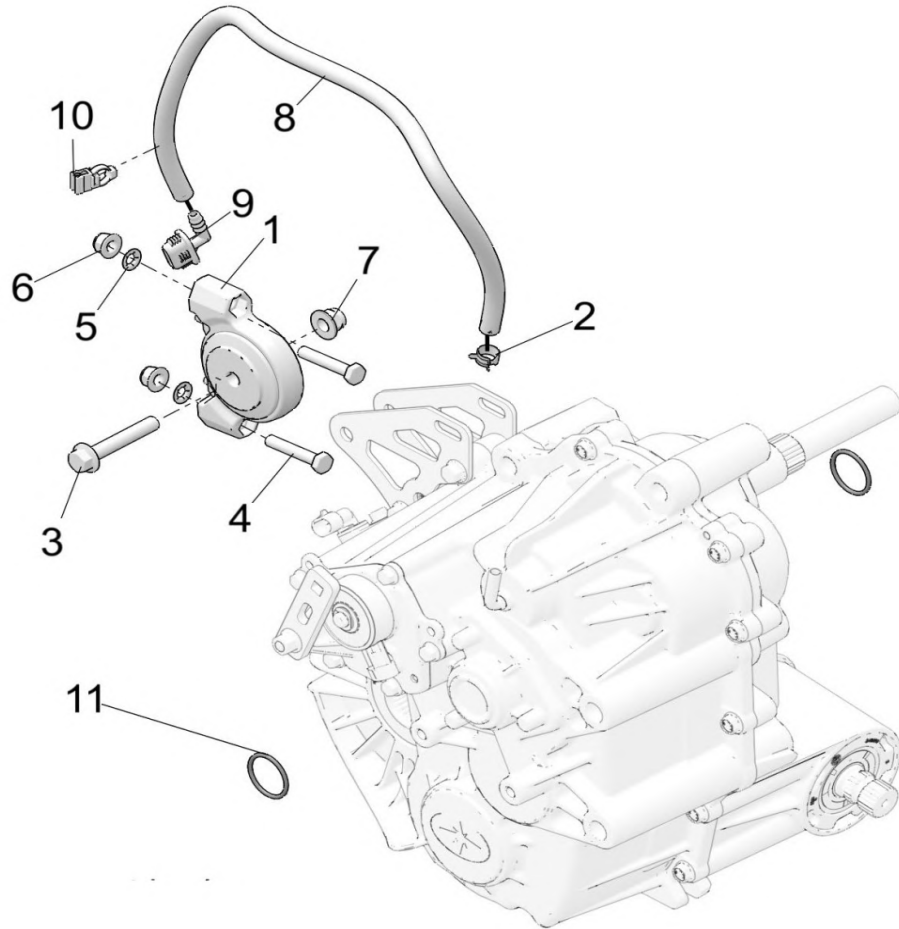
2019 RGR RANGER XP1000 EPS EU/TR/ZUG (R13) - R19RRE99F1/FC/SC1/SCC/SFC/SF1/SJ1/PCC/PFC



POS	SAP	Part Name	Qty
90	<a href="#">1045665</a>	SUBASSEMBLY, PINION GEAR	2
91	<a href="#">1045666</a>	SUBASSEMBLY, DIFFERENTIAL	1
92	<a href="#">1046822</a>	SUBASSEMBLY, INPUT 45T/20T	1
93	<a href="#">1046823</a>	SUBASSY, LH CASE	1
94	<a href="#">1046824</a>	SUBASSY, RH CASE	1
95	<a href="#">1040332</a>	RETAINER, FORK	2
96	<a href="#">1039317</a>	COVER-BEARING,CNTR DR.	1
97	<a href="#">1045670</a>	WASHER, THRUST, 40.83 X 56.25 X 0.38	2
98	<a href="#">1046825</a>	BRACKET, REAR MOUNT	1
99	<a href="#">1007447</a>	CHAIN, SILENT, TYPE 101 .25P X .40W X 58L	1
100	<a href="#">1007458</a>	SOLENOID	1
101	<a href="#">1028617</a>	SENSOR SPEED	1
102	<a href="#">1046826</a>	SWITCH, ROTARY 2 PIN RESISTIVE	1
103	<a href="#">1046827</a>	O-RING 2.989 I.D. X 0.07	1
104	<a href="#">1046828</a>	SEAL, TRIPLE LIP 20 X 30 X 7.5 VITON	1
105	<a href="#">1037871</a>	SEAL, TRIPLE LIP 32X49X8 VITON	1
106	<a href="#">1039436</a>	O-RING	1
107	<a href="#">1039316</a>	O-RING	1
108	<a href="#">1039425</a>	O-RING	1
109	<a href="#">1007453</a>	SEAL, TRIPLE LIP, VITON 40X70X7	2
110	<a href="#">1046829</a>	SEAL, TRIPLE LIP 25X55X8	1

## DRIVE TRAIN, MAIN GEARCASE MOUNTING

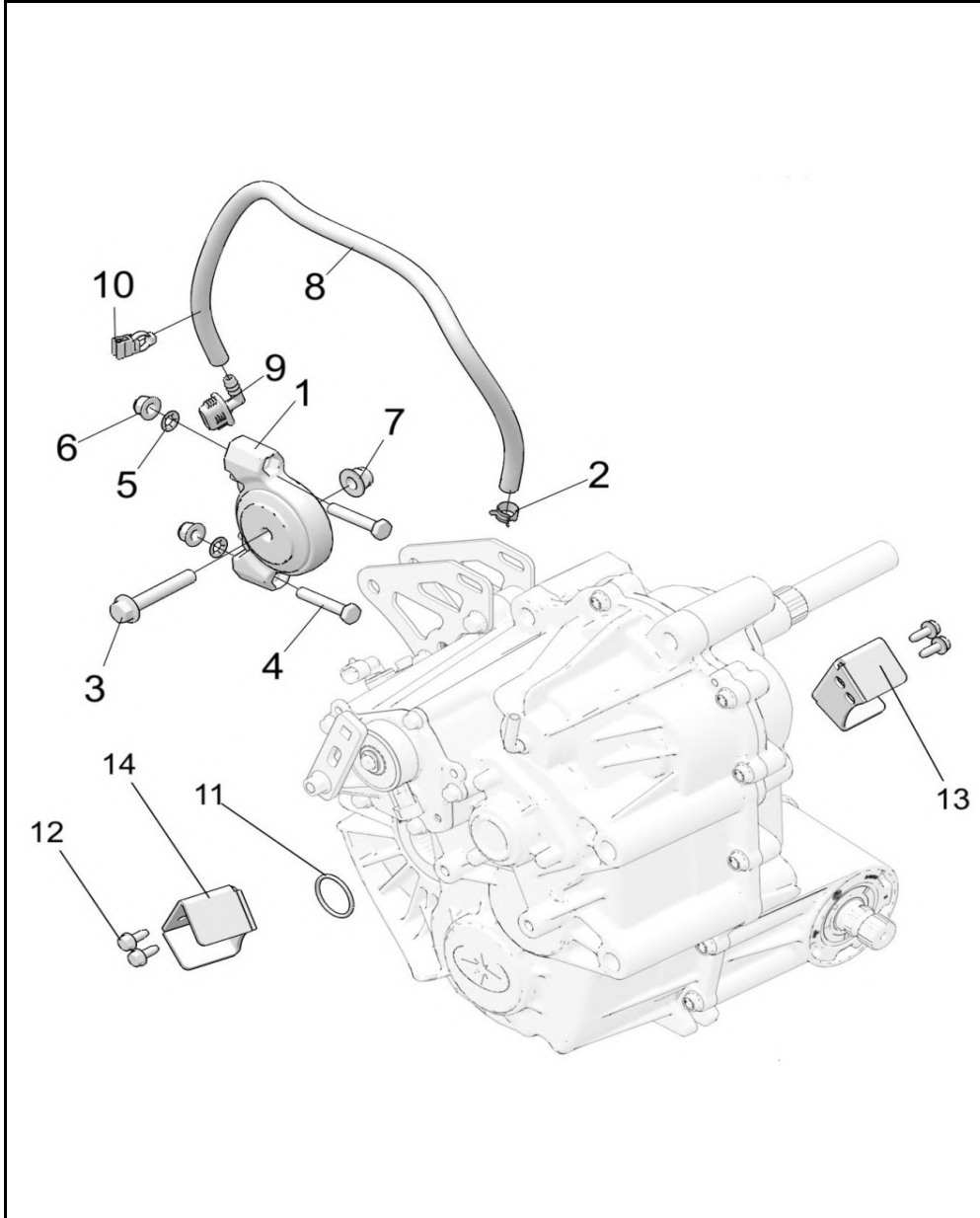
2019 RGR RANGER XP1000 EPS EU/TR/ZUG (R13) - R19RRE99F1/FC/SC1/SCC/SFC/SF1/SJ1/PCC/PFC



POS	SAP	Part Name	Qty
	1040338	ASM., GEARCASE, COMPLETE	1
1	1039356	MOUNT, ISOLATOR	1
2	1039630	CLAMP-HOSE, 17/32, GREEN	1
3	1039694	BOLT	1
4	1039723	SCREW	2
5	1039776	NUT	2
6	1014499	NUT- M8X1.25, FLG, NYLOC-OLIVE D	2
7	1014500	NUT	1
8	1046831	LINE, BOOST	1
9	1039581	FITTING-VENT LINE,90	1
10	1039635	STRAP-CABLE TIE W/EDGE CLIP	1
11	1040338	O-RING,-123 [TO 1/23/2019]	2

## DRIVE TRAIN, MAIN GEARCASE MOUNTING

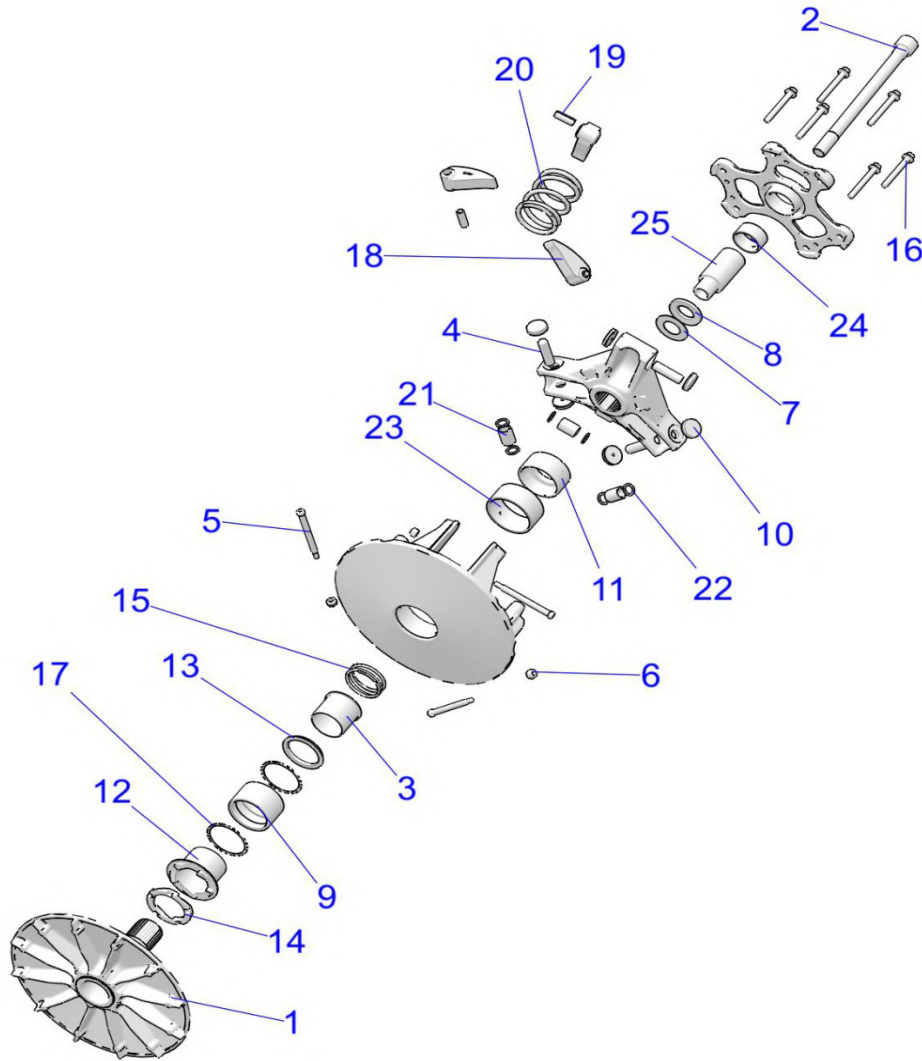
2019 RGR RANGER XP1000 EPS EU/TR/ZUG (R13) - R19RRE99F1/FC/SC1/SCC/SFC/SF1/SJ1/PCC/PFC



POS	SAP	Part Name	Qty
	1040338	ASM., GEARCASE, COMPLETE	1
1	1039356	MOUNT, ISOLATOR	1
2	1039630	CLAMP-HOSE, 17/32, GREEN	1
3	1039694	BOLT	1
4	1039723	SCREW	2
5	1039776	NUT	2
6	1014499	NUT- M8X1.25, FLG, NYLOC-OLIVE D	2
7	1014500	NUT	1
8	1046831	LINE, BOOST	1
9	1039581	FITTING-VENT LINE,90	1
10	1039635	STRAP-CABLE TIE W/EDGE CLIP	1
11	1040338	O-RING,-123 [TO 1/23/2019]	2
12	1046832	SCR-STAP-M6X1.0X16	4
13	1046833	BRKT-MOUNT,ABS,LH,REAR WSS,BLK	1
14	1046834	BRKT-MOUNT,ABS,RH,REAR WSS,BLK	1

# DRIVE TRAIN, PRIMARY CLUTCH

2019 RGR RANGER XP1000 EPS EU/TR/ZUG (R13) - R19RRE99F1/FC/SC1/SCC/SFC/SF1/SJ1/PCC/PFC

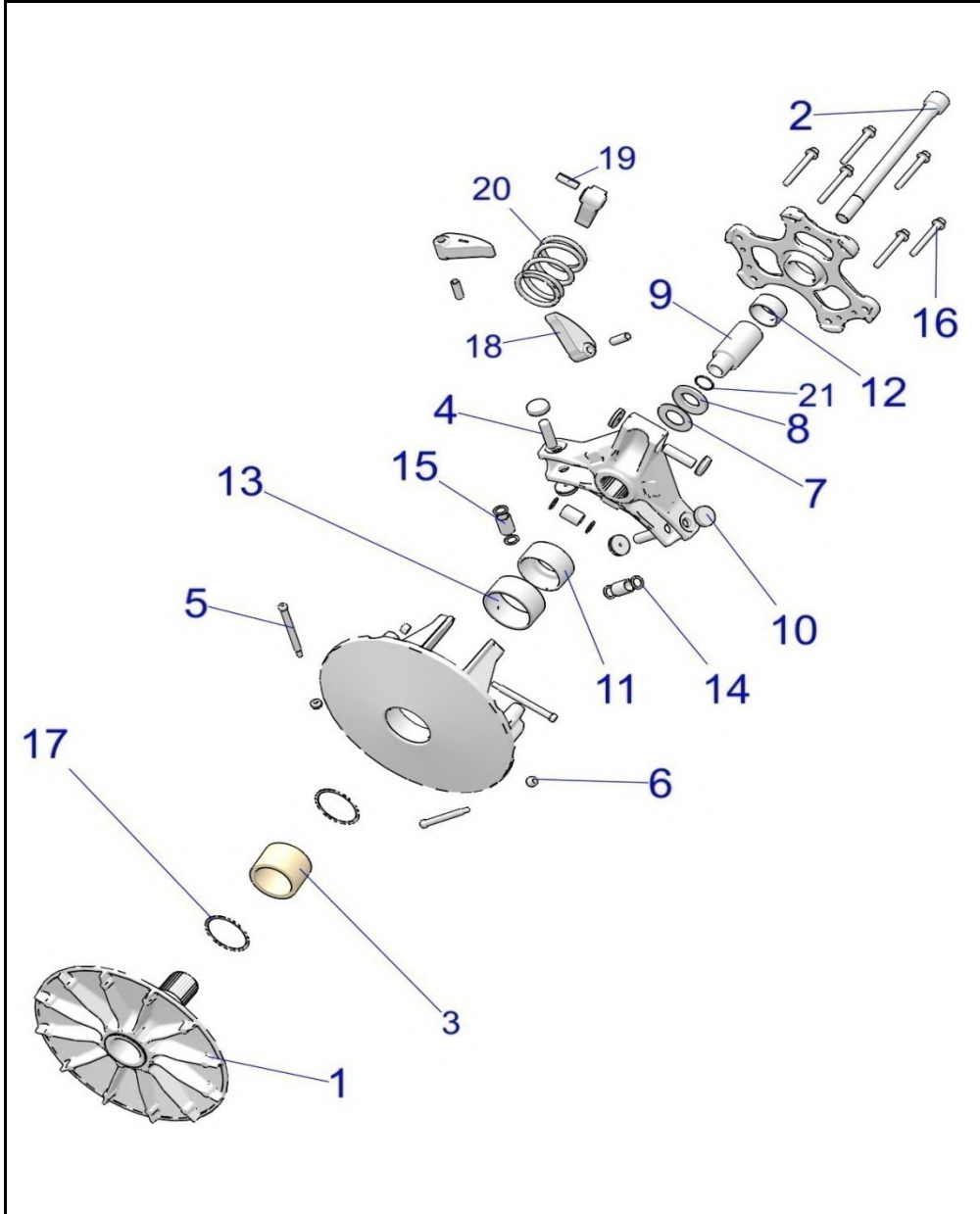


POS	SAP	Part Name	Qty
	1046835	ASM-DRIVE CLUTCH,BASIC,P90X [INCL. ALL EXCEPT 2,18,20]	1
1	1046836	ASM-SHEAVE,STAT,P90X	1
2	1046841	SCR-SH-M14X1.5X180 10.9 SPC	1
3	1008458	BUSHING-SLEEVE,36MM	1
4	1011262	PIN-SPIDER	3
5	1014491	BOLT-SHIFT WEIGHT,BUSHED	3
6	1014495	NUT-10-24-FLEX LOC-Z	3
7	1014535	WSHR-20.5X38.0X0.75 ZY3	1
8	1014536	WSHR-BELLE,21X37.5X3.8,SPC	1
9	1003486	ASM-CLUTCH,ONEWAY,50MM,30RLRV	1
10	1011948	BUTTON-CLUTCH,22MM	6
11	1011256	SPACER-CLUTCH,P90X	1
12	1011271	SLEEVE-FLANGE,EBS,15DEG,UC	1
13	1011267	SPACER-FLANGE	1
14	1046838	HELIX,DRIVE,P90X,15DEG	1
15	1014018	SPRING-ONEWAY,EBS	1
16	1014430	SCR-M6X1.0X50.0 HX/FL-Y/D	6
17	1014533	WASHER-CLUTCH,P90X	2
18	1002832	ASM-WEIGHT,SHIFT,32-106	3
19	1040338	BUSHING-WEIGHT, 1/4X7/8,DU	3
20	1014023	SPRING-CLUTCH,90-180,HT	1
21	1002839	ASM-SPIDER ROLLER,P90X	3
22	1011974	WASHER-CLUTCH,SPIDER ROLLER	6
23	1008456	BUSHING-MOVABLE,50MM [INCL 19]	1
24	1008455	BUSHING-COVER,38.1MM	1
25	1011261	POST-CLUTCH,OUTER	1



# DRIVE TRAIN, PRIMARY CLUTCH

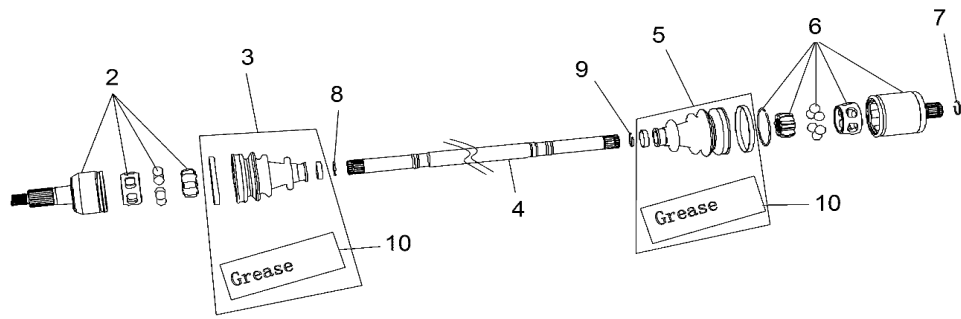
2019 RGR RANGER XP1000 EPS EU/TR/ZUG (R13) - R19RRE99F1/FC/SC1/SCC/SFC/SF1/SJ1/PCC/PFC



POS	SAP	Part Name	Qty
	1046839	ASM-DRIVE CLUTCH,BASC,P90XNEBS [INCL. 1,3-17]	1
1	1046840	ASM-SHEAVE,STAT,P90X	1
2	1046841	SCR-SH-M14X1.5X180 10.9 SPC	1
3	1046842	BEARING-NEEDLE,40X50X35	1
4	1011262	PIN-SPIDER	3
5	1014491	BOLT-SHIFT WEIGHT,BUSHED	3
6	1014495	NUT-10-24-FLEX LOC-Z	3
7	1014535	WSHR-20.5X38.0X0.75 ZY3	1
8	1014536	WSHR-BELLE,21X37.5X3.8,SPC	1
9	1011261	POST-CLUTCH,OUTER	1
10	1011948	BUTTON-CLUTCH,22MM	6
11	1011256	SPACER-CLUTCH,P90X	1
12	1008455	BUSHING-COVER,38.1MM	1
13	1008456	BUSHING-MOVABLE,50MM	1
14	1011974	WASHER-CLUTCH,SPIDER ROLLER	6
15	1046843	ASM-SPIDER ROLLER,P90X	3
16	1014430	SCR-M6X1.0X50.0 HX/FL-Y/D	6
17	1046844	WSHR-CLUTCH,40.5X49X0.8,SP-21	2
18	1002832	ASM-WEIGHT,SHIFT,32-106 [INCL. 19]	3
18	1046845	WEIGHT-SHIFT,32-106	3
19	1011973	BUSHING-WEIGHT,1/4X7/8,DU	3
20	1014023	SPRING-CLUTCH,90-180,HT	1

# DRIVE TRAIN, REAR HALF SHAFT

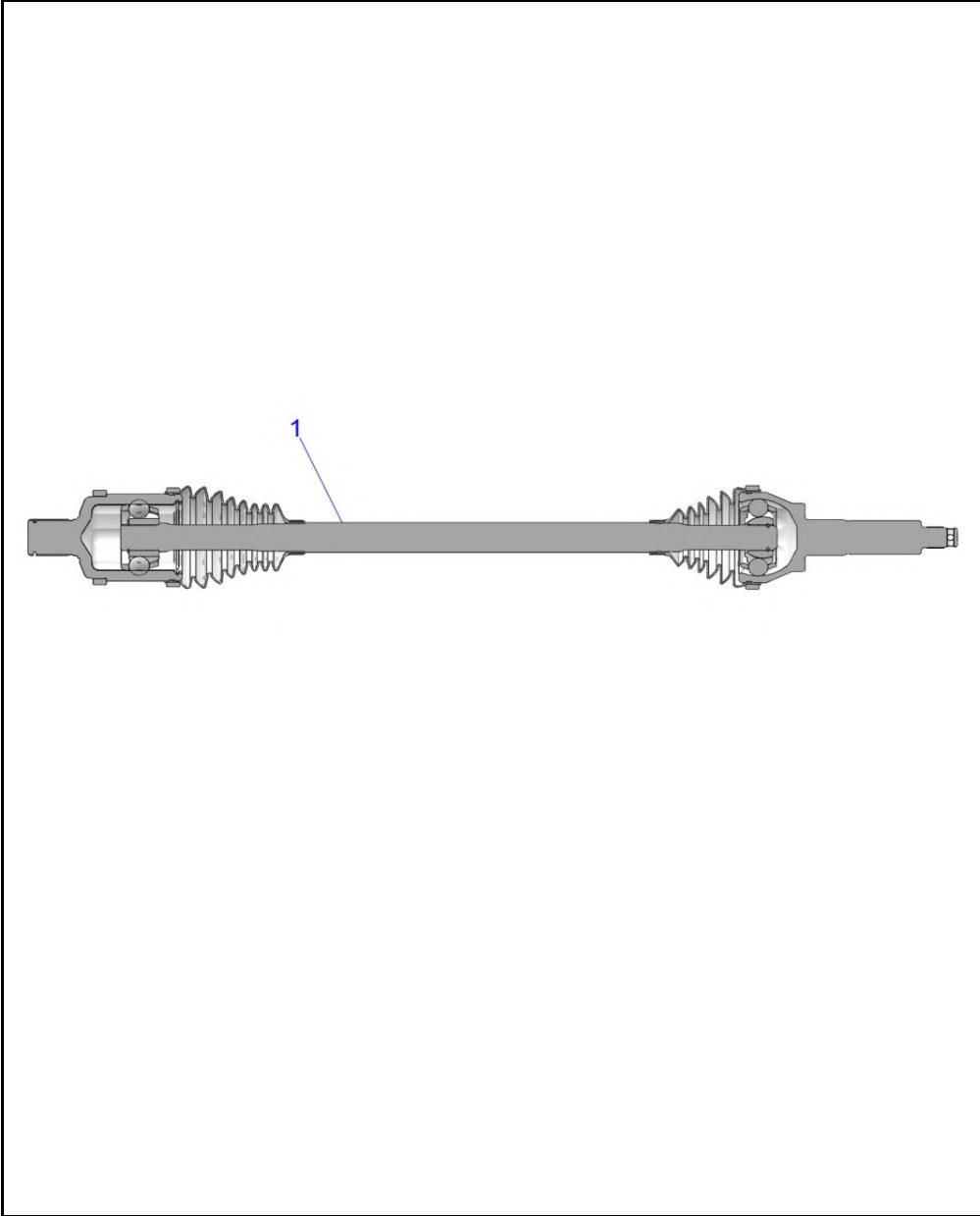
2019 RGR RANGER XP1000 EPS EU/TR/ZUG (R13) - R19RRE99F1/FC/SC1/SCC/SFC/SF1/SJ1/PCC/PFC



POS	SAP	Part Name	Qty
1	<a href="#">1028612</a>	ASM-HALFSHAFT, REAR [INCL. 2-10]	2
2	<a href="#">1039229</a>	K-CV OUTER JOINT [INCL. CIRCLIPS]	1
3	<a href="#">1045912</a>	KIT-BOOT(PR-8071)	1
4	<a href="#">1039231</a>	BAR	1
5	<a href="#">1045682</a>	K - BOOT, INNER	1
6	<a href="#">1039230</a>	JOINT, INNER	1
7	<a href="#">1040341</a>	CIRCLIP-2.0X31.6,PR-2085	1
8	<a href="#">1005176</a>	CIRCLIP (PR-3201)	1
9	<a href="#">1040340</a>	CIRCLIP(PR-3041)	1
10	<a href="#">1040346</a>	GREASE(K575/VW738)	2

# DRIVE TRAIN, REAR HALF SHAFT

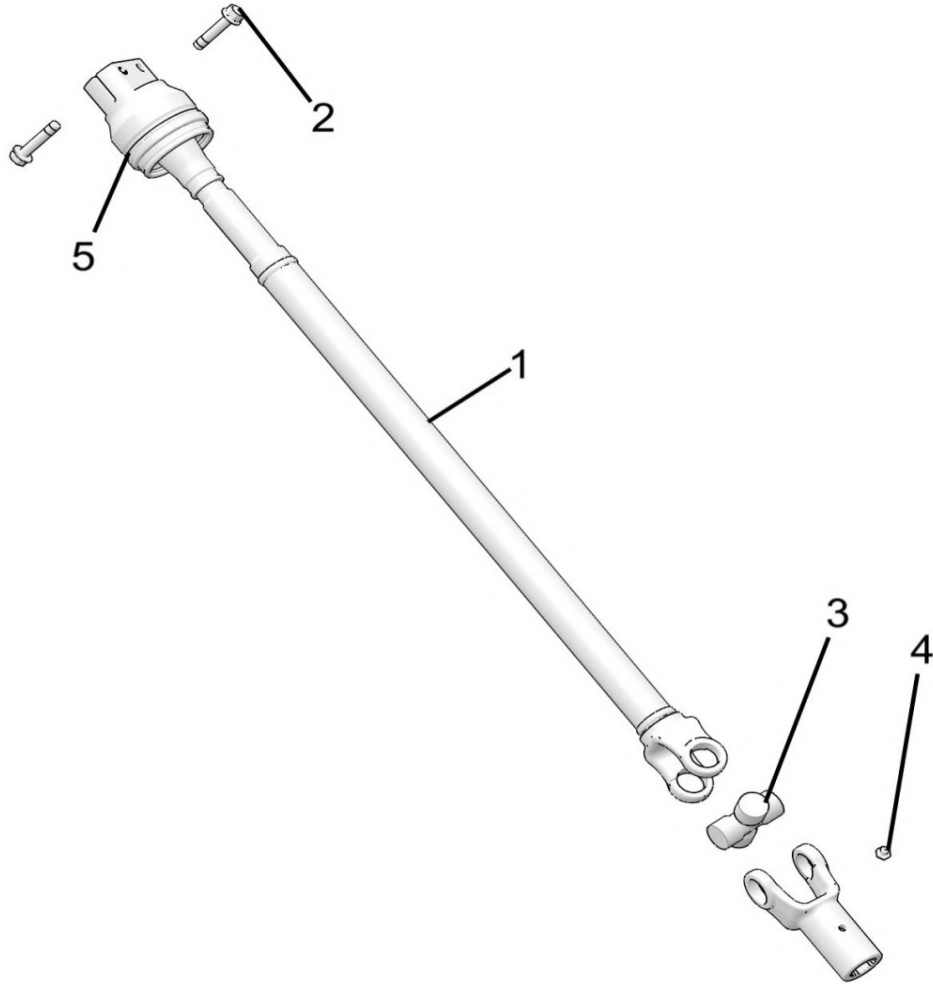
2019 RGR RANGER XP1000 EPS EU/TR/ZUG (R13) - R19RRE99F1/FC/SC1/SCC/SFC/SF1/SJ1/PCC/PFC



POS	SAP	Part Name	Qty
1	1046846	ASM-HALFSHAFT,ABS REAR	2

## DRIVE TRAIN, REAR PROP SHAFT

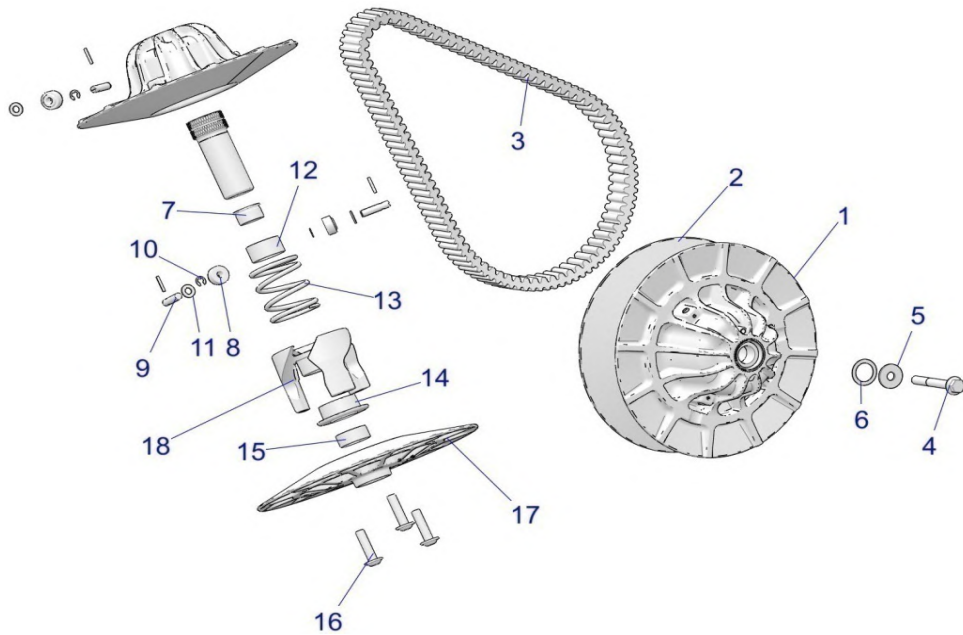
2019 RGR RANGER XP1000 EPS EU/TR/ZUG (R13) - R19RRE99F1/FC/SC1/SCC/SFC/SF1/SJ1/PCC/PFC



POS	SAP	Part Name	Qty
1	<a href="#">1046847</a>	ASM., PROPSHAFT, REAR [INCL. 2-5]	1
2	<a href="#">1040480</a>	SCR-HXFL-M8X1.25X40 8.8 ZODP30	2
3	<a href="#">1040338</a>	YOKE, SLIP	1
4	<a href="#">1039615</a>	FITTING-LUBRICATION 1/4-28	1
5	<a href="#">1040338</a>	ASM CV	1

# DRIVE TRAIN, SECONDARY CLUTCH

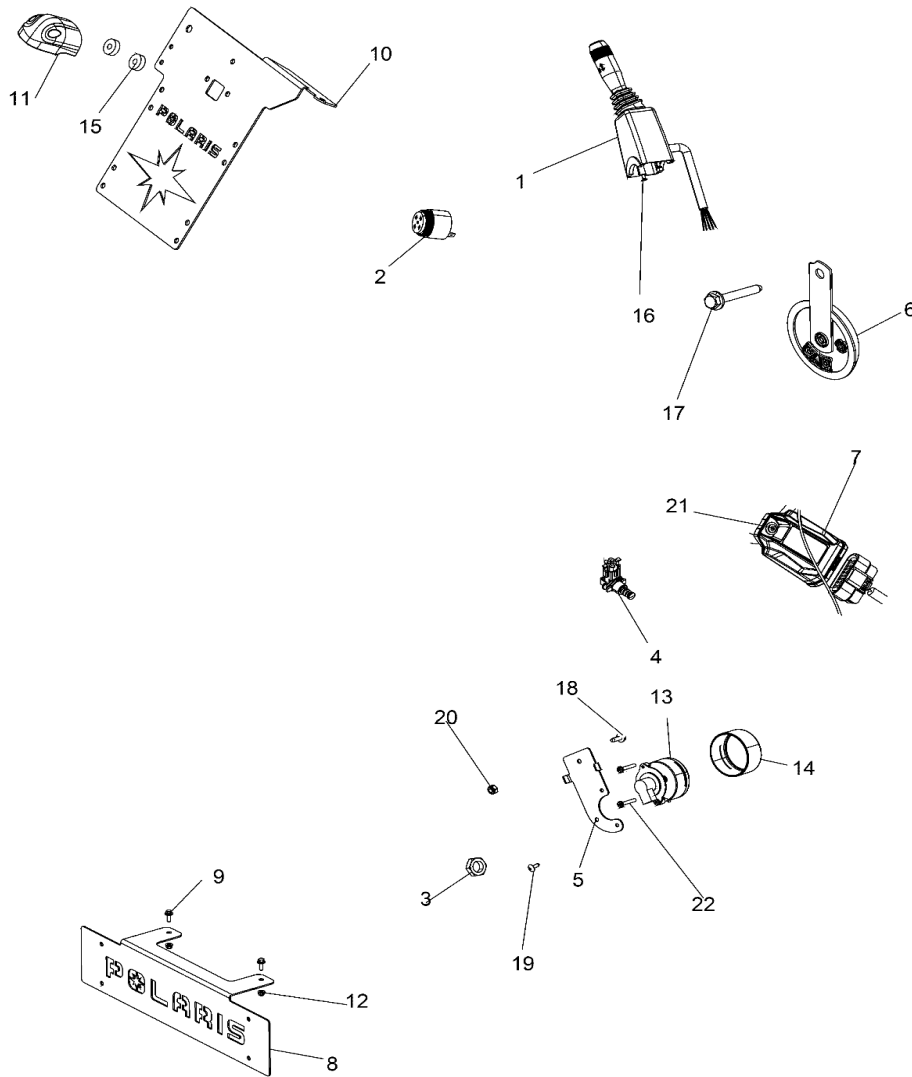
2019 RGR RANGER XP1000 EPS EU/TR/ZUG (R13) - R19RRE99F1/FC/SC1/SCC/SFC/SF1/SJ1/PCC/PFC



POS	SAP	Part Name	Qty
1	1044639	ASM-DRIVEN,STATIONARY,P90X [INCL. 5-16]	1
2	1037874	ASM-DRIVEN,MOVEABLE,P90X [INCL. 13,14,16,17]	1
3	1007366	BELT, DRIVE	1
4	1014457	SCR-HXFL-M10X1.25X80 8.8 ZOD	1
5	1014529	WASHER-FLAT M10X30X2.5 HARDEN	1
6	1014537	SHIM-RING,23.25X32.25X0.5	AR
7	1011264	BUSHING-P90X,29X22X17	1
8	1011985	ROLLER-8X22X11.25,PAI4203	3
9	1028621	PIN-DRIVEN,ROLLER,8MM	3
10	1014621	E-CLIP,M6, DIN 6799	3
11	1014538	WSHR-8.4X16X1.6ZY3 HARD	3
12	1008447	BEARING-DU,35X20	2
13	1014022	SPRING,DRIVEN	1
14	1012205	CUP-DRIVEN SPRING,P90X	1
15	1008457	BUSHING,DU,P90X	1
16	1037873	SCR-TXFLBH-M10X1.25X40 10.9SPC	3
17	1039180	ASM-MOVEABLE SHEAVE	1
18	1038683	ASM-HELIX,MACH,40-48BA67 [INCLS. 12]	1

# ELECTRICAL COMPONENTS, AND LICENSE PLATE

2019 RGR RANGER XP1000 EPS EU/TR/ZUG (R13) - R19RRE99F1/FC/SC1/SCC/SFC/SF1/SJ1/PCC/PFC

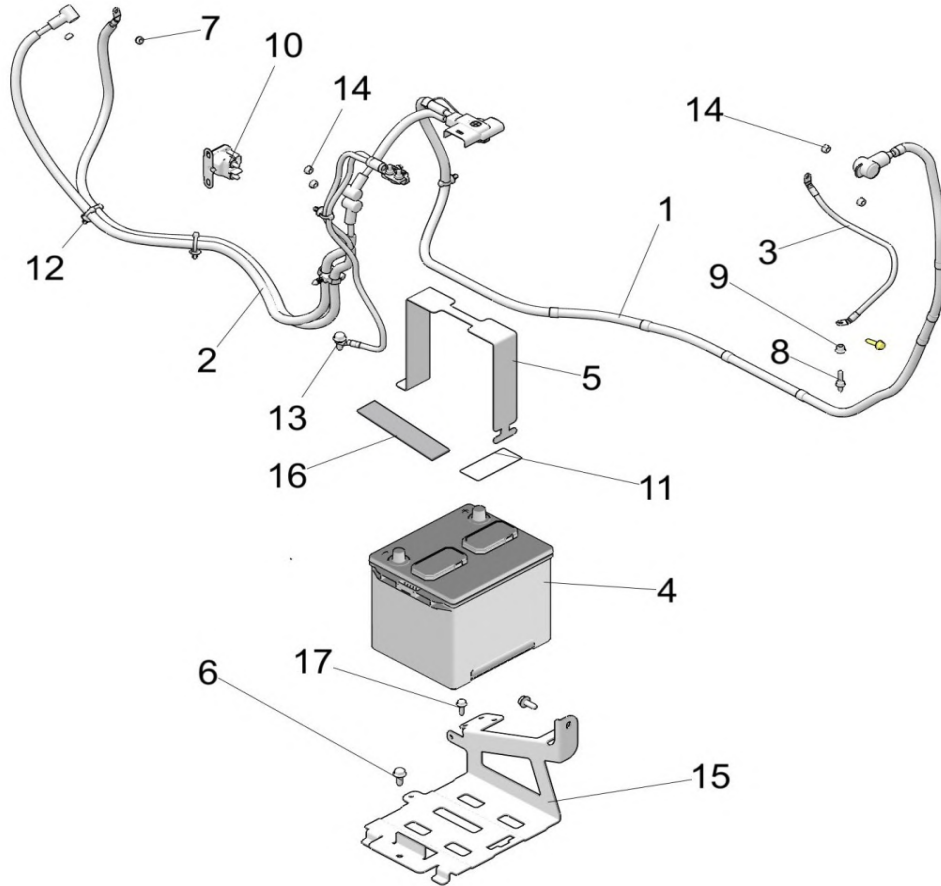


POS	SAP	Part Name	Qty
1	<a href="#">1045683</a>	SWITCH-BLOCK,TURN,LIGHTS,HORN	1
2	<a href="#">1009577</a>	ALARM-BRAKE,WARNING [S99C1,CC,J1][P99CC][TO 8/6/2019]	1
2	<a href="#">1045709</a>	ALARM-BRAKE,WARNING [S99C1,CC,J1][P99CC][FROM 8/6/2019]	1
3	<a href="#">1045627</a>	NUT-HEX-M20X1.5 8 ZOD [S99C1,CC,J1][P99CC,FC]	1
4	<a href="#">1040238</a>	BRAKE PEDAL SWITCH [S99C1,CC,J1][P99CC,FC]	1
5	<a href="#">1046848</a>	BRKT-FOG LIGHT,RGR,BLK [S99FC,F1]	1
6	<a href="#">1009565</a>	HORN-DISC	1
7	<a href="#">1009602</a>	MODULE-FLASH,TURN,TRAILER,TRC	1
8	<a href="#">1046849</a>	BRKT-LICENSE PL FRONT,M.BLK [S99FC,F1]	1
9	<a href="#">1014473</a>	SCR-TXTH-M8X1.25X20 8.8 ZB3 P3	2
10	<a href="#">1046850</a>	BRKT-LICENSE PLATE,MATTE BLK	1
11	<a href="#">1005857</a>	LIGHT-LICENSE PLATE,TRACTR,BLK	1
12	<a href="#">1014497</a>	NUT-HEX,M8X1.25,NYLOCK-SS [S99FC,F1]	2
13	<a href="#">1046851</a>	LIGHT,REAR FOG INCANDESCENT [S99FC,F1]	1
14	<a href="#">1046852</a>	COVER-FOG LIGHT,BLK [S99FC,F1]	1
15	<a href="#">1045690</a>	WASHER-.28 X.75 X.25-NYLON-B	4
16	<a href="#">1040359</a>	SCR-#10-24X3/4,PN/TR RD-TORX-Y	2
17	<a href="#">1039698</a>	SCR-HXFL-M6X1.0X25 8.8 RIE	1
18	<a href="#">1046052</a>	SCR-HXFL-M5X0.8X14 18-8 [S99FC,F1]	2
19	<a href="#">1046853</a>	SCR-#10X1/2-HI/LO-TRX-Y [S99FC,F1]	2
20	<a href="#">1046854</a>	NUT-HXFL-M5X0.8 8 ZPC NYL [S99FC,F1]	2
21	<a href="#">1039669</a>	SCR-10-24X3/4 PH/TX/TRI-SEMS Y	2
22	<a href="#">1039655</a>	SCR-10-24X1.25TFM PN TRX TRI-Y	3



# ELECTRICAL, BATTERY

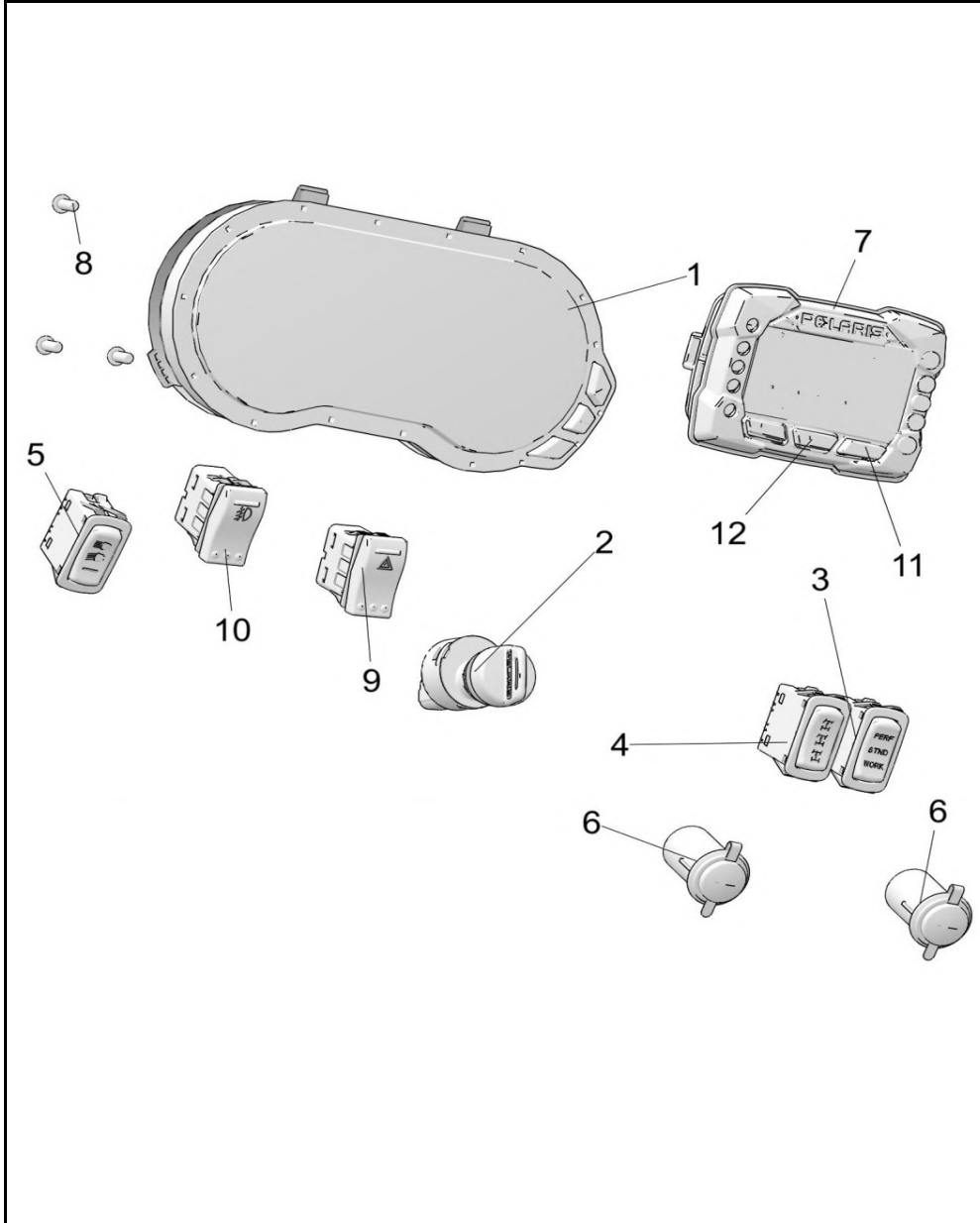
2019 RGR RANGER XP1000 EPS EU/TR/ZUG (R13) - R19RRE99F1/FC/SC1/SCC/SFC/SF1/SJ1/PCC/PFC



POS	SAP	Part Name	Qty
1	<a href="#">1046855</a>	CABLE-BATT TO SOLENOID	1
2	<a href="#">1046856</a>	CABLE, START TO SOLENOID	1
3	<a href="#">1046857</a>	CABLE-GROUND,ENG,BAT,CHAS	1
4	<a href="#">1030660</a>	BATTERY-530 CCA,FLOODED,EUROPE	1
5	<a href="#">1046858</a>	BRKT-BATTERY STRAP,VARTA,BLK	1
6	<a href="#">1039688</a>	SCR-TFHFL-M8X1.25X20 CHS ZOD	2
7	<a href="#">1039773</a>	NUT-6MM X 1 NYLOK-Z	2
8	<a href="#">1039752</a>	STUD	1
9	<a href="#">1039782</a>	NUT, FLANGE, NYLOK	1
10	<a href="#">1009588</a>	SOLENOID-STARTER,SEALED	1
11	<a href="#">1040338</a>	DECAL-BATTERY,POLARIS	1
12	<a href="#">1014065</a>	CLIP-ROUTING	1
13	<a href="#">1046859</a>	SCR-HXFL-M8X1.25X20 TAP ZY3	1
14	<a href="#">1045182</a>	NUT-HXFLGHD,M6,SERRATED [S99FC]	4
15	<a href="#">1046860</a>	BRKT-BATTERY TRAY,EU,BLK	1
16	<a href="#">1039594</a>	PAD-BATTERY	1
17	<a href="#">1039683</a>	SCR-M6X1.0X20,HXHD,FLG,TDFM,BK	3
18	<a href="#">1046861</a>	COVER SEATBASE BATTERY EU,BLK [P99CC,FC][NOT ILLUSTRATED]	1

# ELECTRICAL, DASH INSTRUMENTS

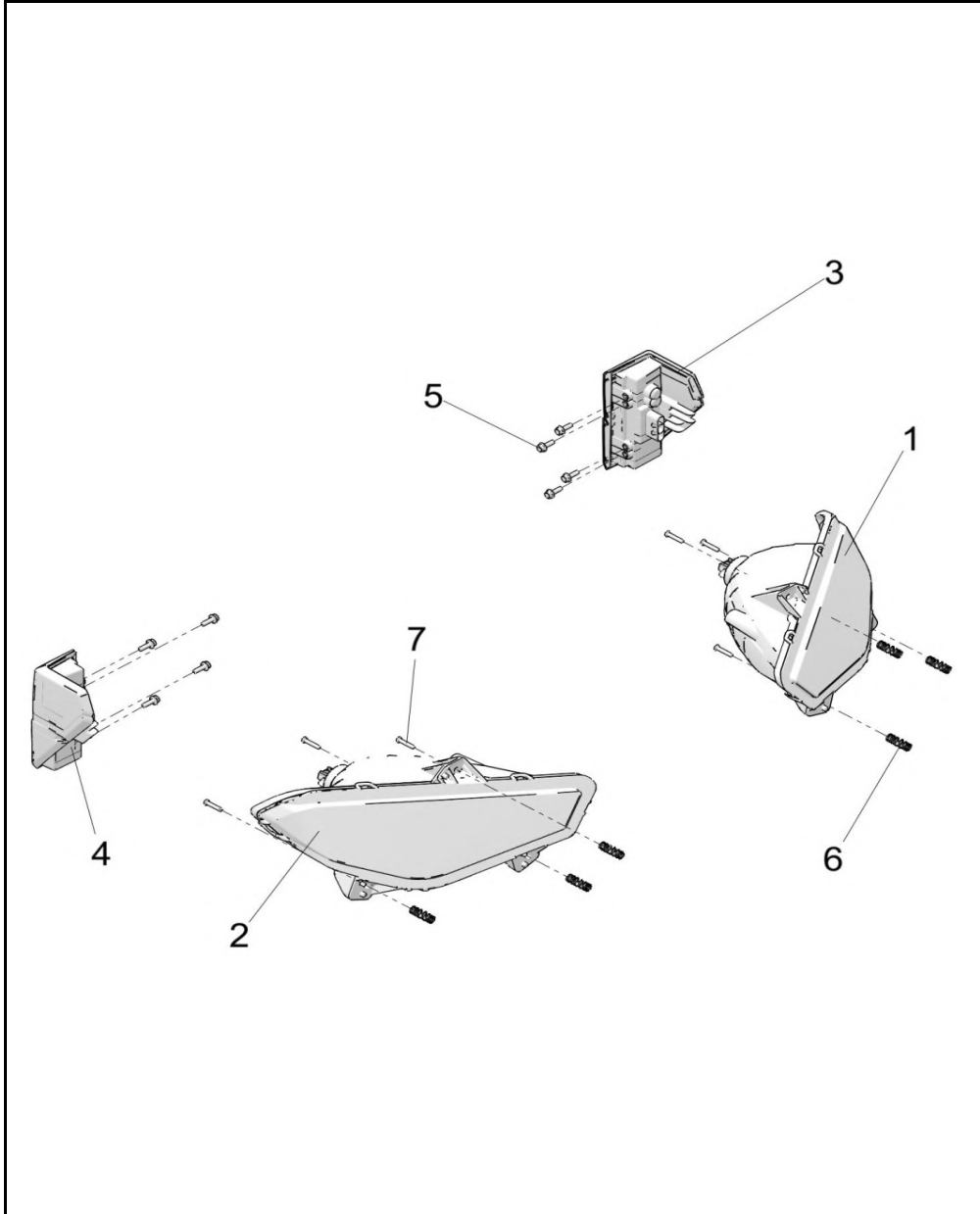
2019 RGR RANGER XP1000 EPS EU/TR/ZUG (R13) - R19RRE99F1/FC/SC1/SCC/SFC/SF1/SJ1/PCC/PFC



POS	SAP	Part Name	Qty
1	<a href="#">1046862</a>	ASM-CLUSTER,C4,ABS,TR [E99FC][S99CC,FC][P99CC,FC]	1
2	<a href="#">1009572</a>	SWITCH-KEY,4 POS,ATV,MT SLV	1
3	<a href="#">1037994</a>	SWITCH-DRIVEMODE,3MODE,RGR [ESSF1,FC][S99FC,F1]	1
4	<a href="#">1046863</a>	SWITCH, AWD,TURF	1
5	<a href="#">1046864</a>	SWITCH, HEADLIGHT [S99CC]	1
6	<a href="#">1009573</a>	RECEPTACLE-POD MNT,12 VOLT	2
7	<a href="#">1007507</a>	ASM-CLSR,B1,256K,ATV/SXS,INT [E99F1][S99C1,F1][FROM 9/10/2018]	1
7	<a href="#">1046865</a>	ASM-CLUSTER,B1,256K,ATV/SXS [E99F1][S99C1,F1][TO 9/10/2018]	1
8	<a href="#">1046866</a>	SCR-TORX BTNHD,M6X12,0600129 [S99CC][P99CC,FC]	3
9	<a href="#">1046867</a>	SWITCH-HAZARD,IP67 FRONT	1
10	<a href="#">1046868</a>	SWITCH-FOG LIGHT REAR [S99FC,F1]	1
11	<a href="#">1046869</a>	GASKET-DIGITAL GAUGE [E99F1][S99C1,F1]	1
12	<a href="#">1046870</a>	BEZEL-GAUGE CPI B1 [E99F1][S99C1,F1]	1

# ELECTRICAL, HEADLIGHTS AND TAILLIGHTS

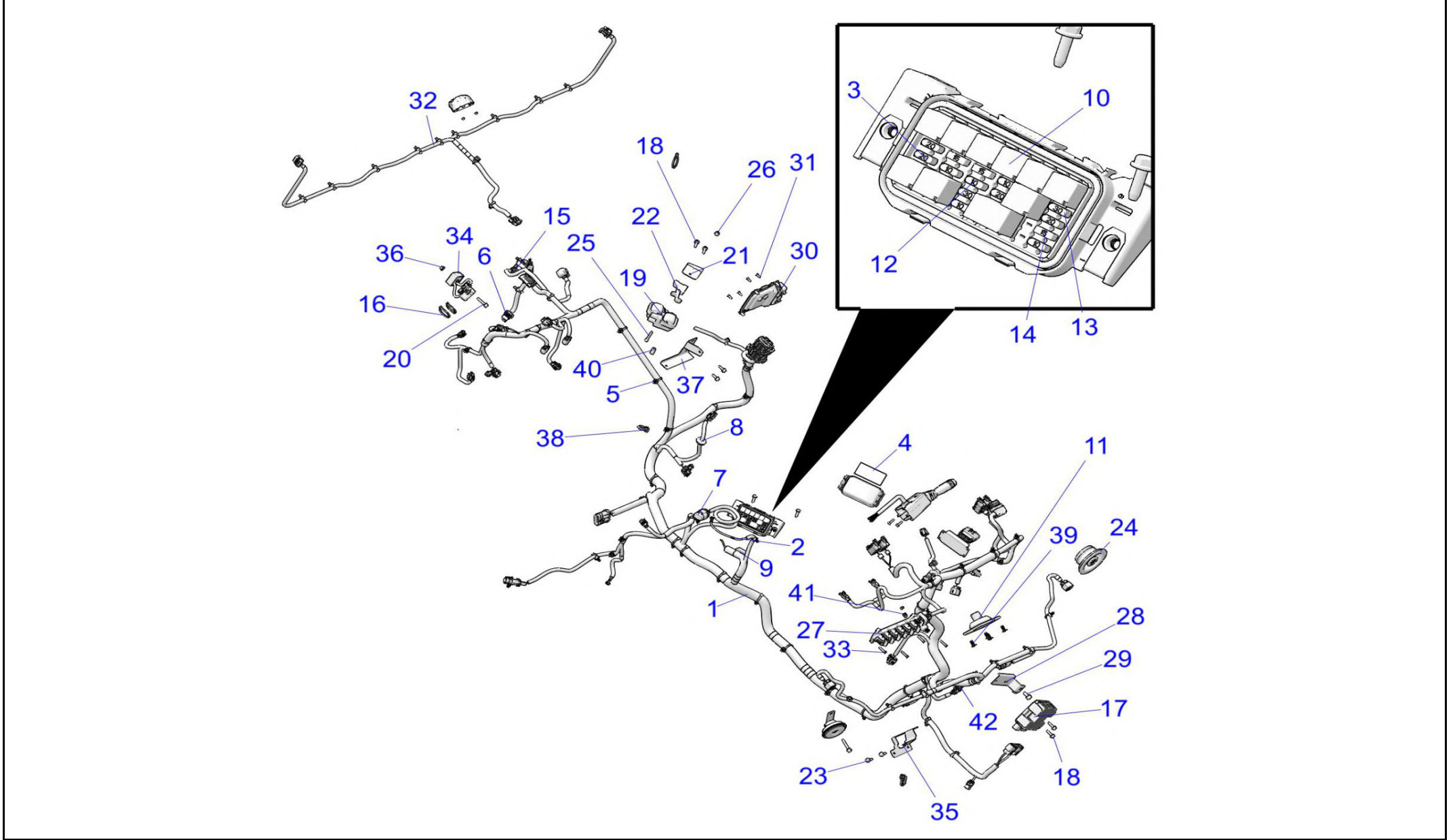
2019 RGR RANGER XP1000 EPS EU/TR/ZUG (R13) - R19RRE99F1/FC/SC1/SCC/SFC/SF1/SJ1/PCC/PFC



POS	SAP	Part Name	Qty
1	<a href="#">1028604</a>	ASM-HEAD LT,ECE,TURN SIGNAL,LH	1
2	<a href="#">1028605</a>	ASM-HEAD LT,ECE,TURN SIGNAL,RH	1
3	<a href="#">1005855</a>	ASM-TAILLIGHT,ECE,LH	1
4	<a href="#">1005856</a>	ASM-TAILLIGHT,ECE,RH	1
5	<a href="#">1039724</a>	SCR-HXFL-M6X1.0X20 8.8 RIE	8
6	<a href="#">1013999</a>	SPRING, HEADLIGHT	6
7	<a href="#">1014424</a>	SCREW	6

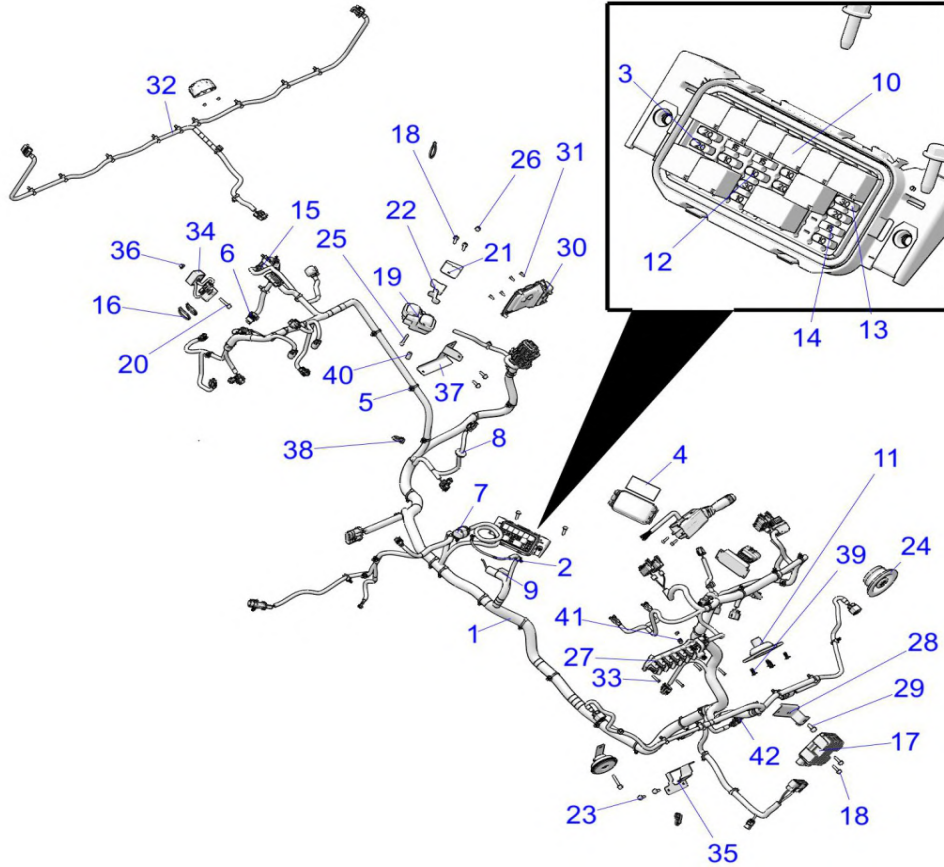
# ELECTRICAL, WIRE HARNESS

2019 RGR RANGER XP1000 EPS EU/TR/ZUG (R13) - R19RRE99F1/FC/SC1/SCC/SFC/SF1/SJ1/PCC/PFC



# ELECTRICAL, WIRE HARNESS

2019 RGR RANGER XP1000 EPS EU/TR/ZUG (R13) - R19RRE99F1/FC/SC1/SCC/SFC/SF1/SJ1/PCC/PFC

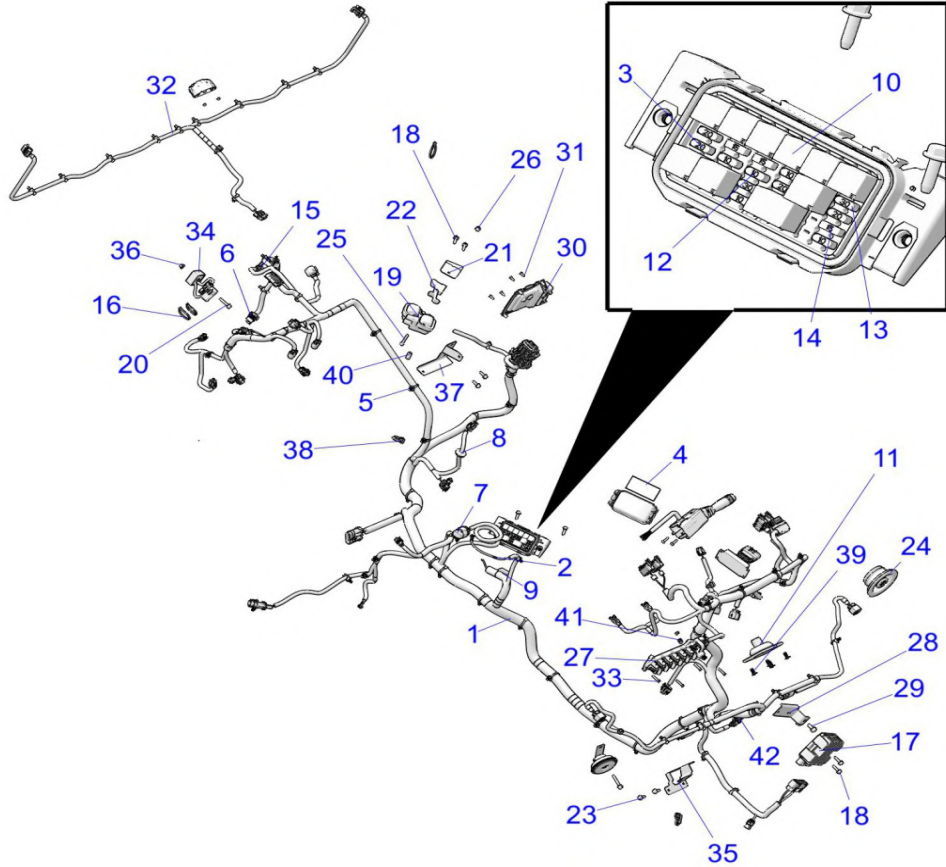


POS	SAP	Part Name	Qty
1	1046871	HARNESS-CHASSIS,RGR1K,EU [INCL 2-16 ]	1
2	1040338	LINK-FUSIBLE,2.0mm <sup>2</sup> X 160mm LONG (GY)	1
3	1045951	FUSE-PARK,20 AMP	2
4	1046892	LABEL, FUSE BOX	1
5	1014065	CLIP-ROUTING	AR
6	1040380	CONNECTOR-7-WAY,EURO TRAILER	1
7	1039488	COVER, DIAGNOSTIC, W/CLIP	1
8	1046893	GROMMET-USB, 3MM 22MM DIA	1
9	1046894	BREAKER-CIRCUIT,20 AMP SEALED	1
10	1039487	RELAY - SPST SERIES 303 SEALED	1
11	1046895	GROMMET	1
12	1005911	FUSE, IGNITION, 10 AMP	6
13	1045236	FUSE,MAIN,30 AMP,(10)	2
14	1039379	FUSE-MINI BLADE, 15 AMP	2
15	1046896	COVER-FUSEHOLDER	1
16	1039612	PANDUIT STRAP	2
17	1009597	REGULATOR-3PH,50A,SERIES,HISPD	1
18	1046897	SCR-TFHFL-M6X1.0X25,ZY3	5
19	1039486	COIL-EFI	1
20	1040368	SCR-HXFL-M6X1.0X35 8.8 ZOD	1
21	1046898	BRKT-COIL MOUNT	1
22	1011828	SPACER-COIL MOUNT	1
23	1039683	SCR-M6X1.0X20,HXHD,FLG,TDFM,BL	6
24	1046879	GROMMET-HOOD LINER,SPLIT [FROM 3/4/2019]	1
24	1046899	GROMMET-HOOD LINER [TO 3/4/2019]	1
25	1039705	SCR-M6X1.0X40,HX/SOC/CP-B	1
26	1039782	NUT-M6 FLANGE,NYLOC	1
27	1046901	FUSE-CARTRIDGE,40A	1
27	1046900	BLOCK-TERMINAL,6 POS [INCL FUSE PLUG AND COVER]	1
27	1046902	PLUG,ACCY TB	6



# ELECTRICAL, WIRE HARNESS

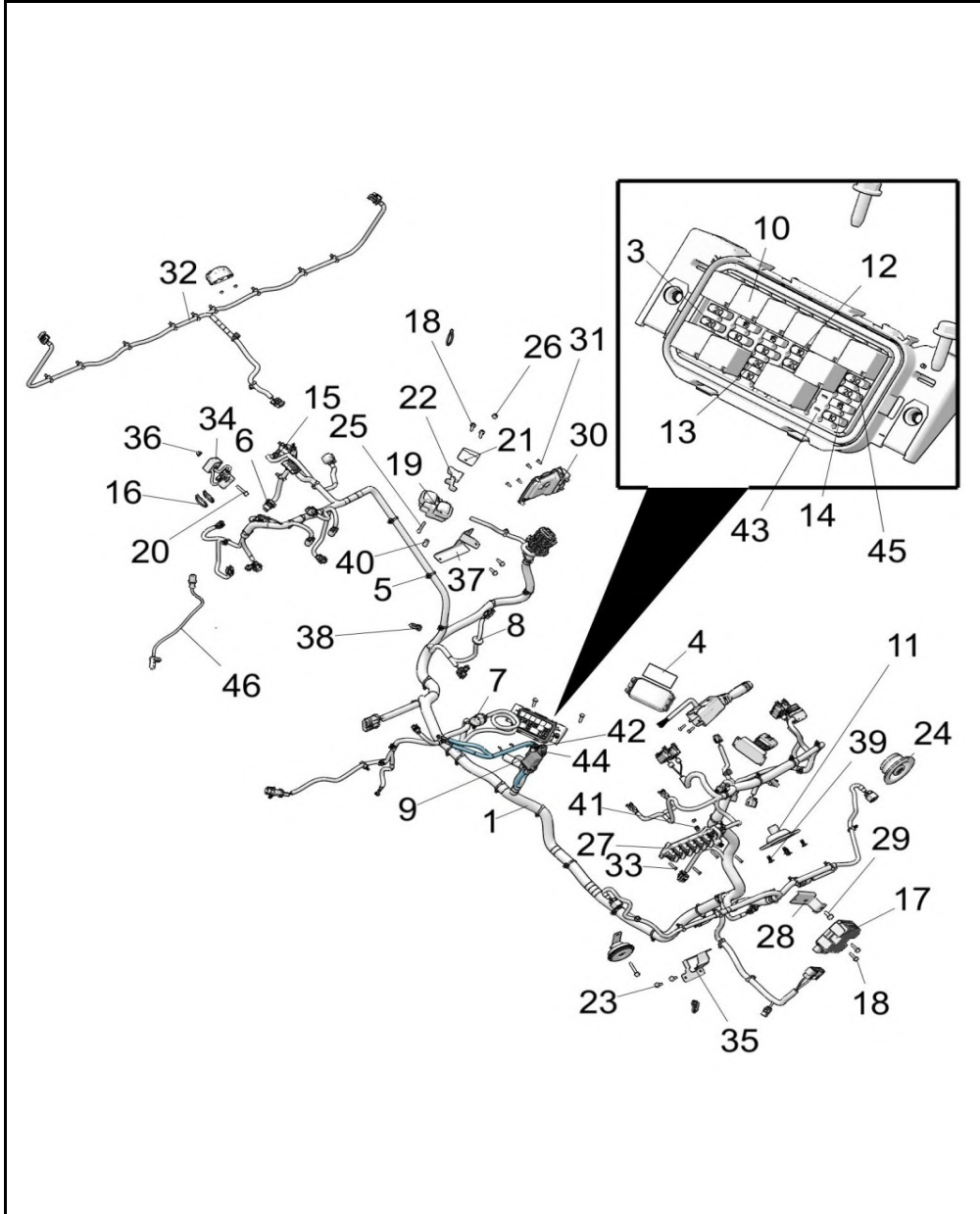
2019 RGR RANGER XP1000 EPS EU/TR/ZUG (R13) - R19RRE99F1/FC/SC1/SCC/SFC/SF1/SJ1/PCC/PFC



POS	SAP	Part Name	Qty
27	1046903	COVER,TB,JCASE	1
28	1046904	BRKT-MOUNT,REG	1
29	1039688	SCR-TFHFL-M8X1.25X20 CHS ZOD	1
30	1009581	ECM-NO START,ME17	1
31	1039719	SCR-#10X1/2-HI/LO-PN-T25,TRX-M	4
32	1046905	HARNESS,BOX,RANGER,EU	1
33	1039758	SCR-TXPH-#14 X .75 HI-LO RIE	4
34	1009575	RELAY, SOLID STATE,9A,LONG LD	1
35	1046907	BRKT-ROUTING,BLK	1
36	1014499	NUT- M8X1.25, FLG, NYLOC-OLIVE D	1
37	1046908	BRKT-HARNESS ROUTING,BLK	1
38	1046909	CLIP-EDGE,1-3MM THICKNESS	1
39	1045783	CLIP, PLASTIC DART, NYLON	4
40	1046910	SPACER-COIL,FRONTIER	1
41	1045182	NUT-HXFLGHD,M6,SERRATED	3
42	1045707	JUMPER-BRAKE PRESSURE SWITCH [FROM 12/3/2018]	1

# ELECTRICAL, WIRE HARNESS

2019 RGR RANGER XP1000 EPS EU/TR/ZUG (R13) - R19RRE99F1/FC/SC1/SCC/SFC/SF1/SJ1/PCC/PFC

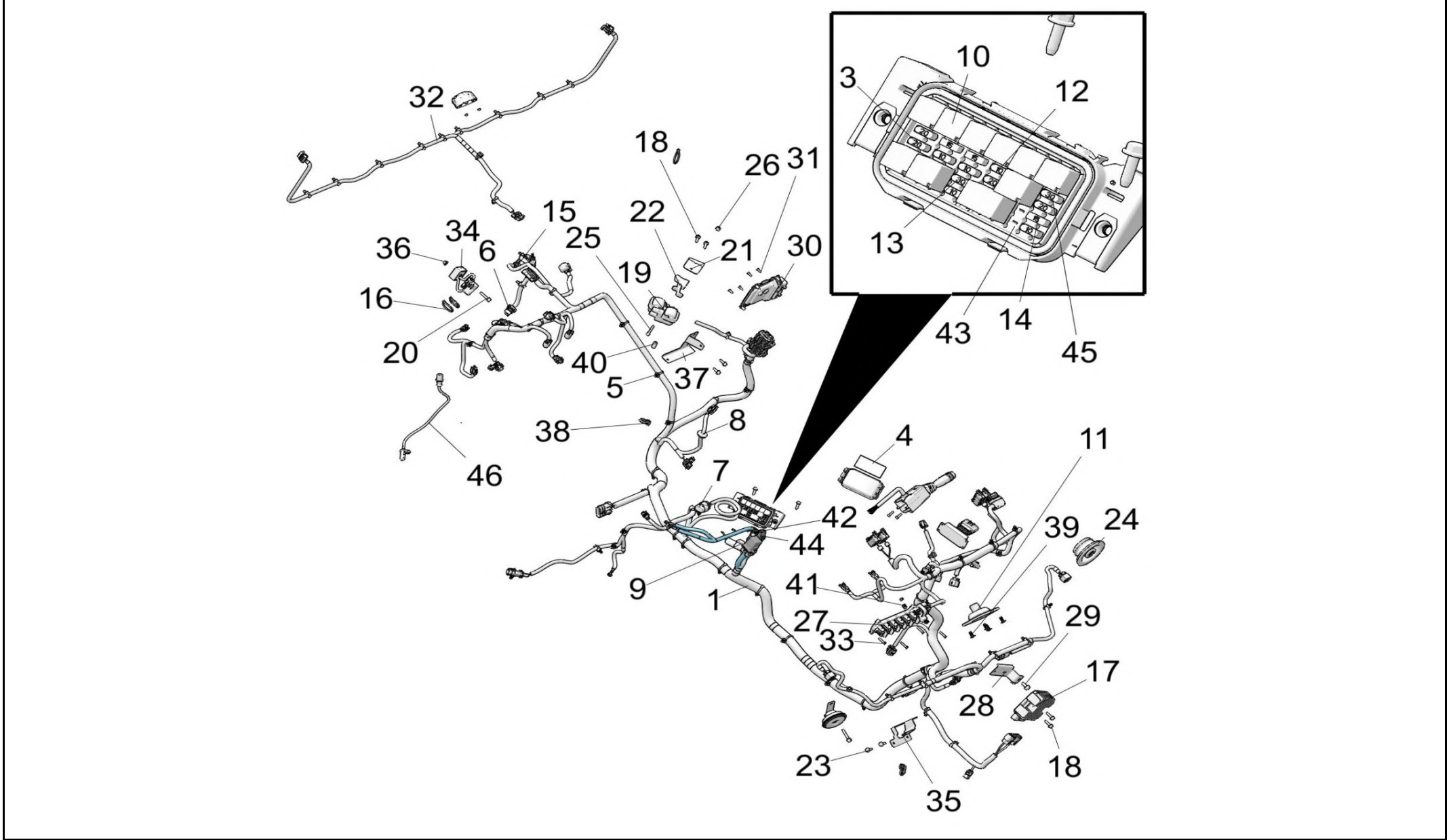


POS	SAP	Part Name	Qty
1	1046891	HARNESS-CHASSIS,ABS [INCL 2-16 & 42-45 ]	1
3	1045951	FUSE-PARK,20 AMP	2
4	1046892	LABEL, FUSE BOX	1
5	1014065	CLIP-ROUTING	AR
6	1040380	CONNECTOR-7-WAY,EURO TRAILER	1
7	1039488	COVER, DIAGNOSTIC, W/CLIP	1
8	1046893	GROMMET-USB, 3MM 22MM DIA	1
9	1046894	BREAKER-CIRCUIT,20 AMP SEALED	1
10	1039487	RELAY - SPST SERIES 303 SEALED	1
11	1046895	GROMMET	1
12	1005911	FUSE, IGNITION, 10 AMP	6
13	1045236	FUSE,MAIN,30 AMP,(10)	2
14	1039379	FUSE-MINI BLADE, 15 AMP	2
15	1046896	COVER-FUSEHOLDER	1
16	1039612	PANDUIT STRAP	2
17	1009597	REGULATOR-3PH,50A,SERIES,HISPD	1
18	1046897	SCR-TFHFL-M6X1.0X25,ZY3	5
19	1039486	COIL-EFI	1
20	1040368	SCR-HXFL-M6X1.0X35 8.8 ZOD	1
21	1046898	BRKT-COIL MOUNT	1
22	1011828	SPACER-COIL MOUNT	1
23	1039683	SCR-M6X1.0X20,HXHD,FLG,TDFM,BL	6
24	1046899	GROMMET-HOOD LINER	1
25	1039705	SCR-M6X1.0X40,HX/SOC/CP-B	1
26	1039782	NUT-M6 FLANGE,NYLOC	1
27	1046900	BLOCK-TERMINAL,6 POS [INCL FUSE, PLUG, AND COVER]	1
27	1046901	FUSE-CARTRIDGE,40A	1
27	1046902	PLUG,ACCY TB	6
27	1046903	COVER,TB,JCASE	1
28	1046904	BRKT-MOUNT,REG	1



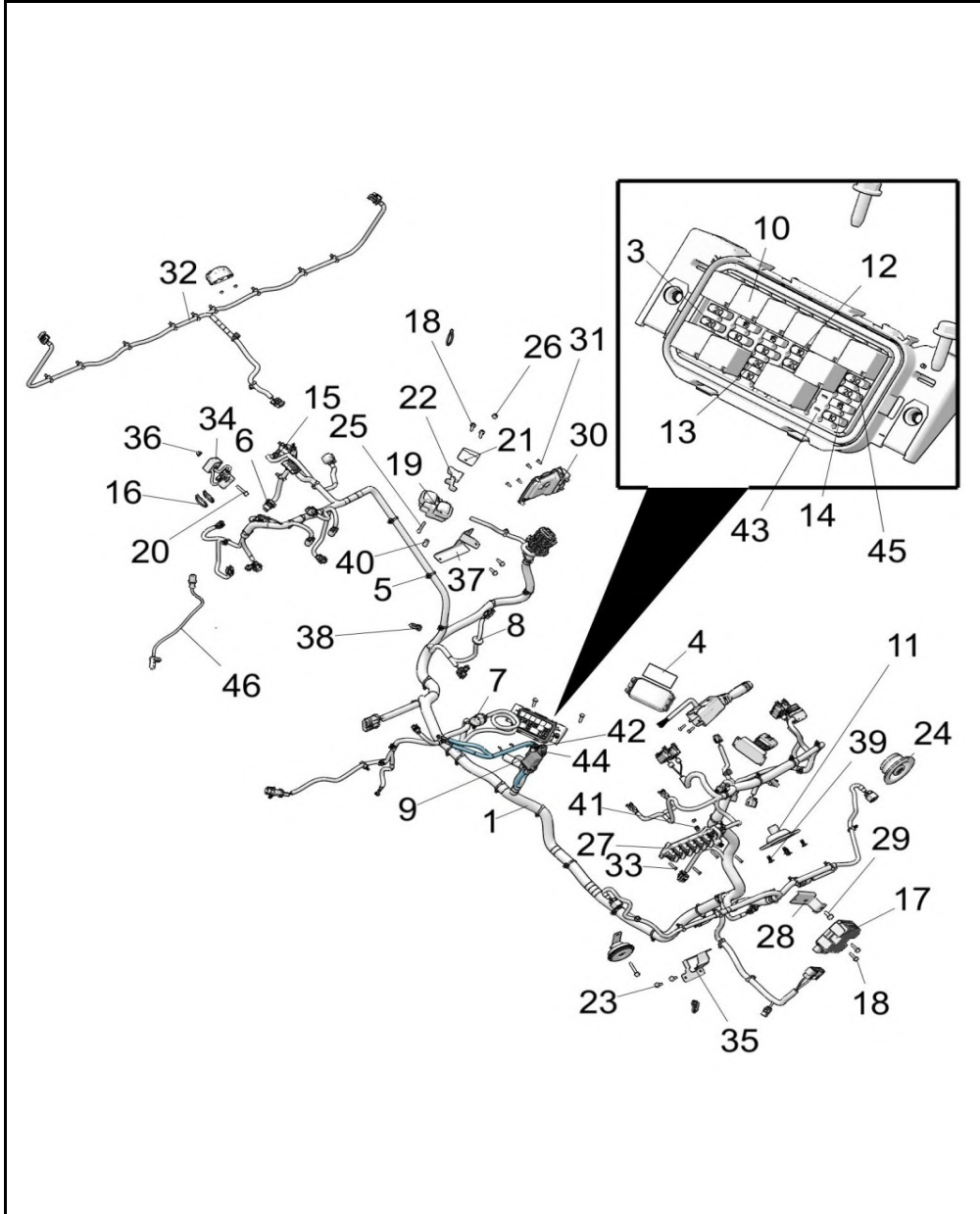
# ELECTRICAL, WIRE HARNESS

2019 RGR RANGER XP1000 EPS EU/TR/ZUG (R13) - R19RRE99F1/FC/SC1/SCC/SFC/SF1/SJ1/PCC/PFC



# ELECTRICAL, WIRE HARNESS

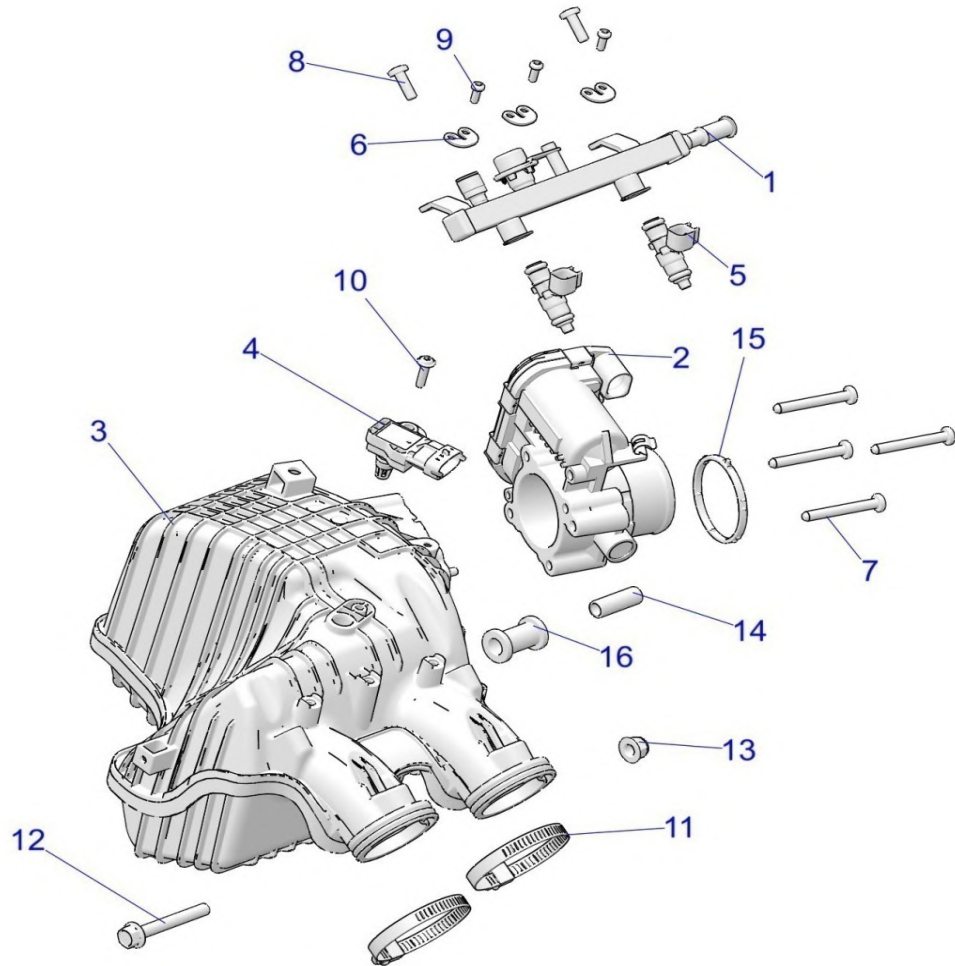
2019 RGR RANGER XP1000 EPS EU/TR/ZUG (R13) - R19RRE99F1/FC/SC1/SCC/SFC/SF1/SJ1/PCC/PFC



POS	SAP	Part Name	Qty
29	<a href="#">1039688</a>	SCR-TFHFL-M8X1.25X20 CHS ZOD	1
30	<a href="#">1009581</a>	ECM-NO START,ME17	1
31	<a href="#">1039719</a>	SCR-#10X1/2-HI/LO-PN-T25,TRX-M	4
32	<a href="#">1046905</a>	HARNESS,BOX,RANGER,EU	1
33	<a href="#">1046906</a>	SCR-10X1.00 TX PN HI/LO-Y	4
34	<a href="#">1009575</a>	RELAY, SOLID STATE,9A,LONG LD	1
35	<a href="#">1046907</a>	BRKT-ROUTING,BLK	1
36	<a href="#">1014499</a>	NUT- M8X1.25, FLG, NYLOC-OLIVE D	1
37	<a href="#">1046908</a>	BRKT-HARNESS ROUTING,BLK	1
38	<a href="#">1046909</a>	CLIP-EDGE,1-3MM THICKNESS	1
39	<a href="#">1045783</a>	CLIP, PLASTIC DART, NYLON	4
40	<a href="#">1046910</a>	SPACER-COIL,FRONTIER	1
41	<a href="#">1039785</a>	NUTS-KEPS,10-32	3
42	<a href="#">1046911</a>	DECAL-ABS FUSE, 40A	1
43	<a href="#">1009567</a>	FUSE, 5 AMP	2
44	<a href="#">1046912</a>	FUSE-ATC 40 AMP	1
45	<a href="#">1046913</a>	FUSE, 2 AMP,ATM BLADE STYLE, MINI	1
46	<a href="#">1046914</a>	SPEED SENSOR,WHEEL	4

# ENGINE, AIR INTAKE MANIFOLD

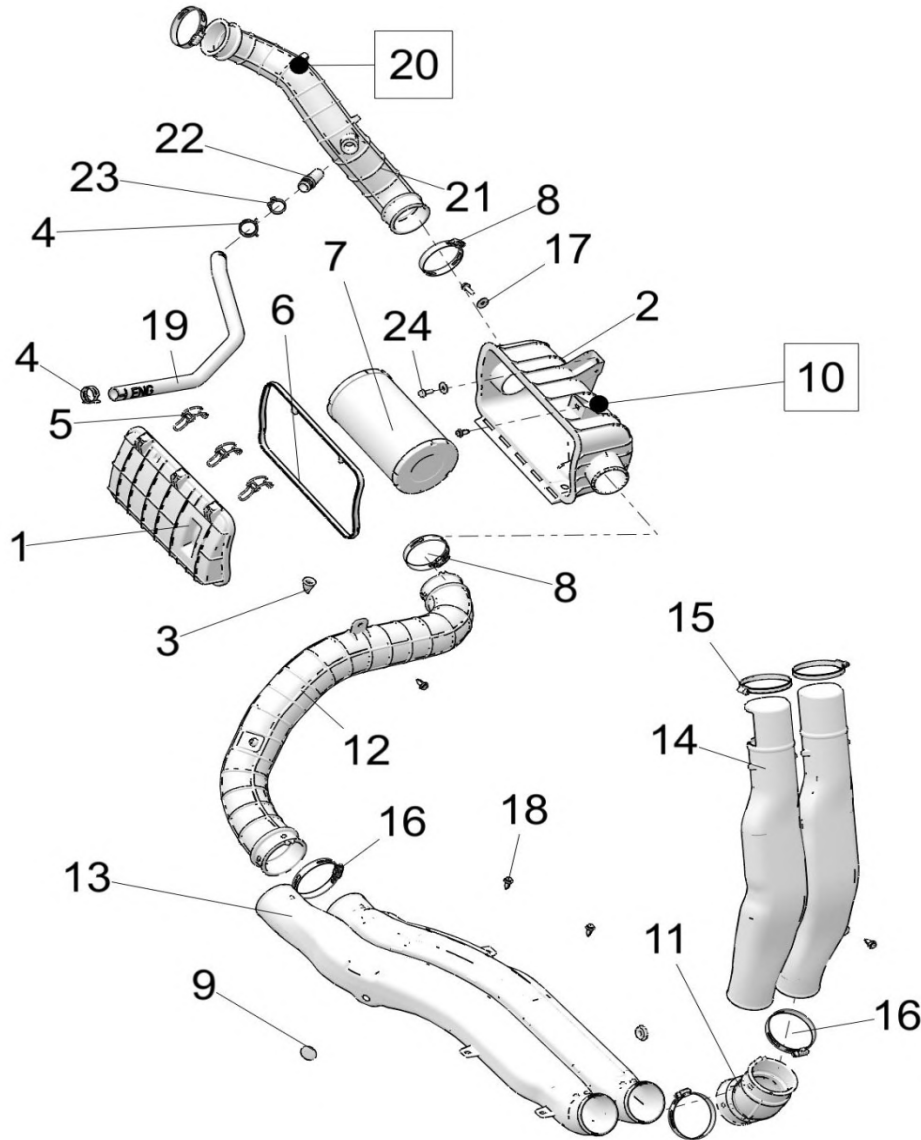
2019 RGR RANGER XP1000 EPS EU/TR/ZUG (R13) - R19RRE99F1/FC/SC1/SCC/SFC/SF1/SJ1/PCC/PFC



POS	SAP	Part Name	Qty
1	1045726	RAIL-FUEL	1
2	1002283	THROTTLE-ETC,46MM	1
3	1045725	MANIFOLD-INTAKE,COMPOSITE,19	1
4	1005828	SENSOR-TMAP DSS3-TF	1
5	1006072	INJ-FUEL,EV14COMPACT,200G [INCL ORINGS]	2
5	1003392	O-RING-BOSCH,EV-14,UPPER, BLUE	2
5	1045283	O-RING GREEN, LOWER	2
6	1040447	CLIP-INTAKE ROUTING	3
7	1040444	SCR-1/4X2 HI/LO-PH-PN TRX-M	4
8	1045728	SCR-TXWH-6MMX20MM DELTA PT CLR	2
9	1040448	SCREW-PLASTITE,4.5MM	3
10	1040441	SCR-PLASTITE,5.0MMX20-PN-T25	1
11	1039614	CLAMP-BAND,NARROW	2
12	1039746	SCR-HXFL-M8X1.25X60 8.8 ZOD	1
13	1014499	NUT- M8X1.25, FLG, NYLOC-OLIVE D	1
14	1040445	LIMITER-COMPRESSION,AF.0113666	1
15	1040442	GASKET-ETC,EN.0113664	1
16	1040446	GROMMET-LX.0113665	1

# ENGINE, AIR INTAKE SYSTEM

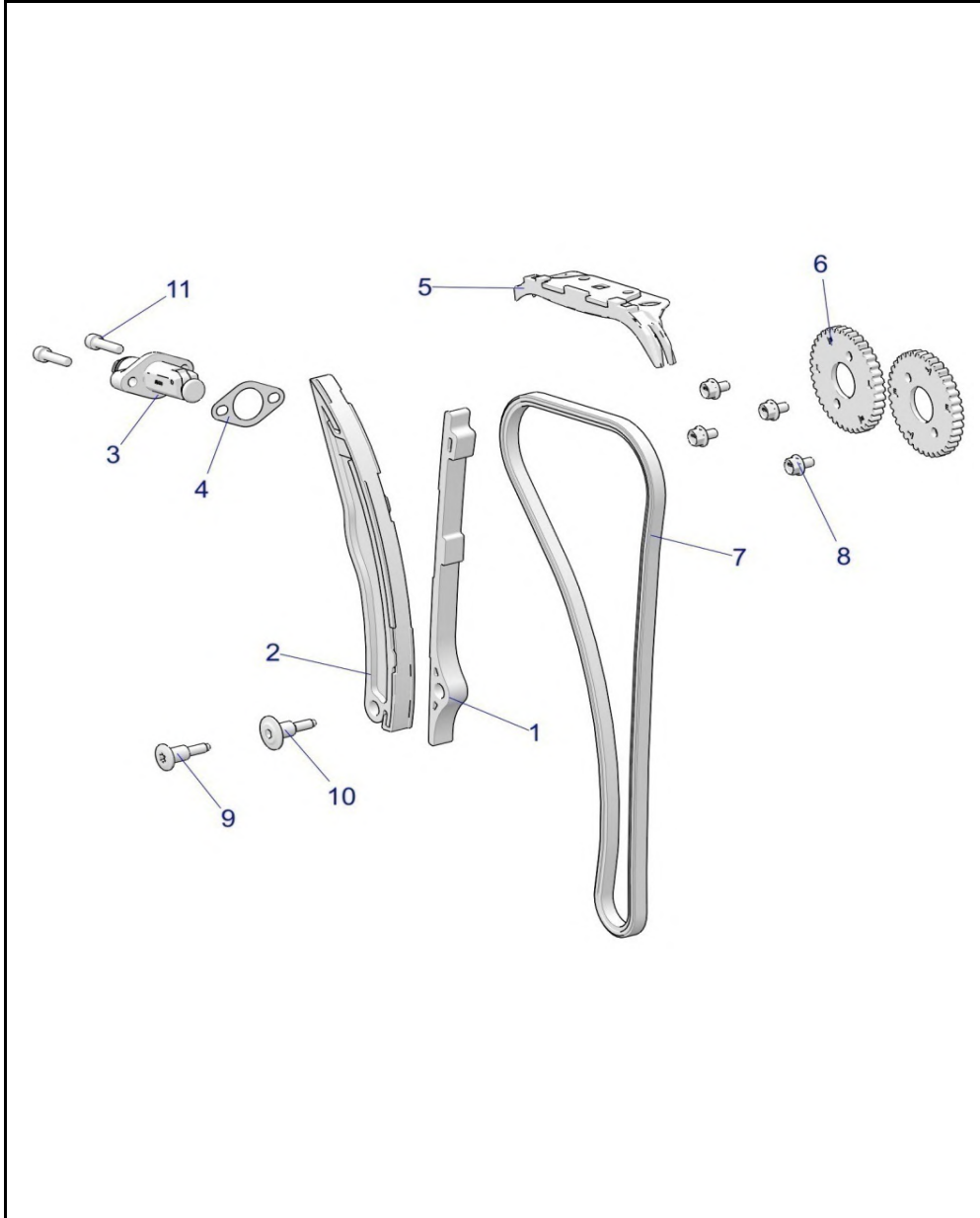
2019 RGR RANGER XP1000 EPS EU/TR/ZUG (R13) - R19RRE99F1/FC/SC1/SCC/SFC/SF1/SJ1/PCC/PFC



POS	SAP	Part Name	Qty
1	1046915	ASM-AIRBOX COVER	1
2	1046916	AIRBOX	1
3	1039544	PLUG, DRAIN	1
4	1039620	SPRINGBAND-CLAMP 27/12, GREEN	4
5	1046917	ASM-AIRBOX CLIP	5
6	1046918	SEAL-AIRBOX	1
7	1014084	FILTER, AIR	1
8	1033329	CLAMP-HOSE SLOTTED, 60-80 DIA	3
9	1040338	PLUG-AIR BOX, MUDDER	2
10	1046919	DECAL-CAUT. AIR BOX	1
11	1046920	HOSE-JOINT	1
12	1046921	HOSE-AIRBOX TO TUNNEL	1
13	1046922	DUCT-TUNNEL	1
14	1046923	DUCT-INTAKE, FRONT	1
15	1046924	CLAMP-BAND, NARROW 70-90MM	2
16	1046925	CLAMP-HOSE SLOTTED, 75-90 DIA	3
17	1040438	WASHER-.28 X .81 X .06, ST-M	2
18	1014589	RIVET-TUFLOK, .315-.325X.787	5
19	1046926	HOSE-VENT, ENGINE	1
20	1046927	ASM-AIRBOX TO PLENUM [INCL. 21-23]	1
21	1046928	HOSE-AIRBOX TO PLENUM	1
22	1046929	FITTING-3/4 DOUBLE BARB	1
23	1046930	CLAMP-HOSE	1
24	1039683	SCR-M6X1.0X20, HXHD, FLG, TDFM, BK	2

# ENGINE, CAM CHAIN AND TENSIONER

2019 RGR RANGER XP1000 EPS EU/TR/ZUG (R13) - R19RRE99F1/FC/SC1/SCC/SFC/SF1/SJ1/PCC/PFC

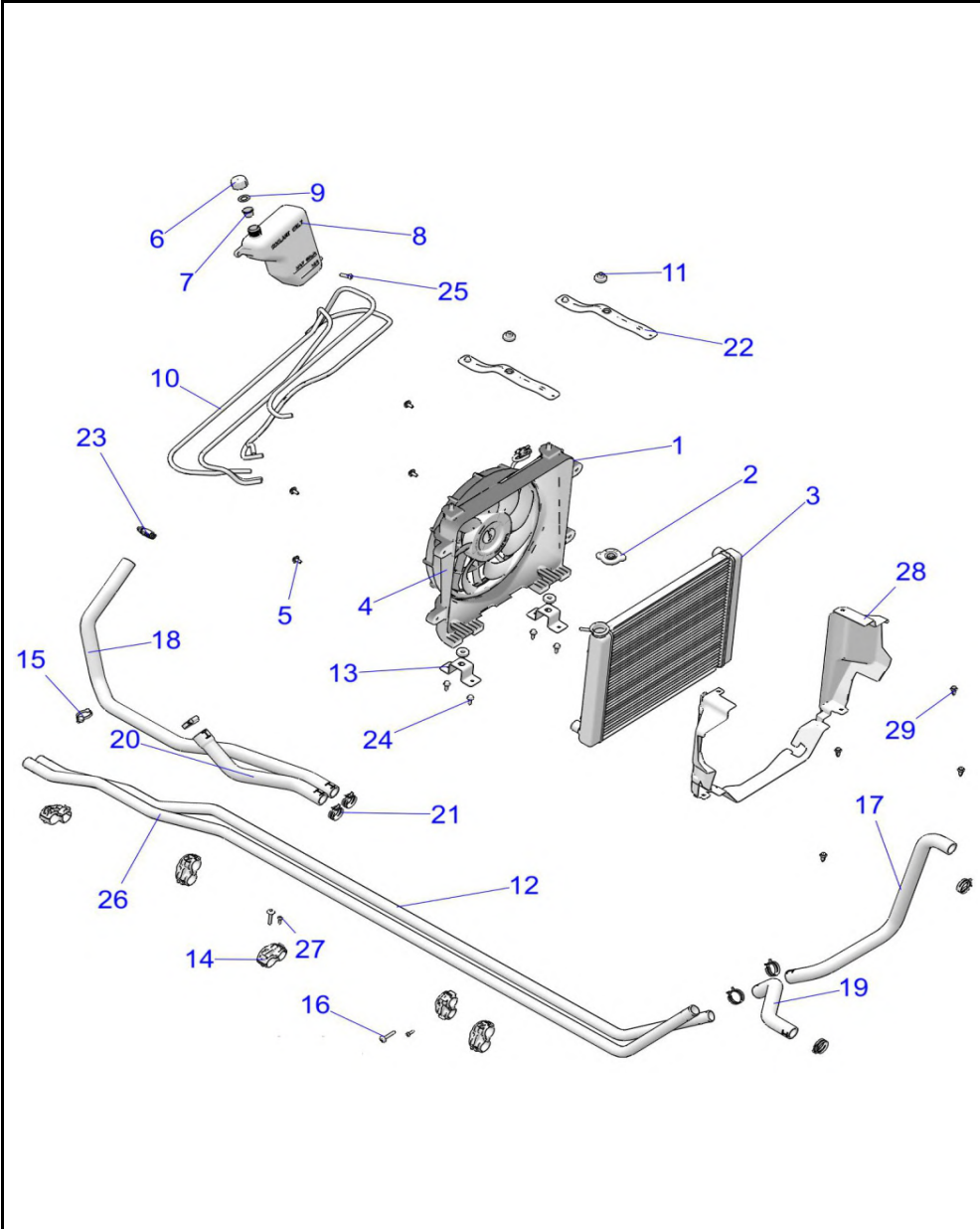


POS	SAP	Part Name	Qty
1	<a href="#">1007004</a>	GUIDE, CAMCHAIN, FIXED	1
2	<a href="#">1007005</a>	GUIDE, CAMCHAIN, TENSIONER	1
3	<a href="#">1028597</a>	TENSIONER-RATCHETING,MECH [INCL. 4]	1
4	<a href="#">1039603</a>	GASKET, TENSIONER	1
5	<a href="#">1039411</a>	GUIDE-CAMCHAIN, TOP, ARC	1
6	<a href="#">1039417</a>	SPROCKET, CAM, DRIVEN, DOHC	2
7	<a href="#">1007398</a>	CHAIN, CAMSHAFT	1
8	<a href="#">1039728</a>	SCREW	4
9	<a href="#">1039730</a>	SCREW	1
10	<a href="#">1039765</a>	BOLT-SHOULDER	1
11	<a href="#">1039713</a>	SCREW	2



# ENGINE, COOLING SYSTEM

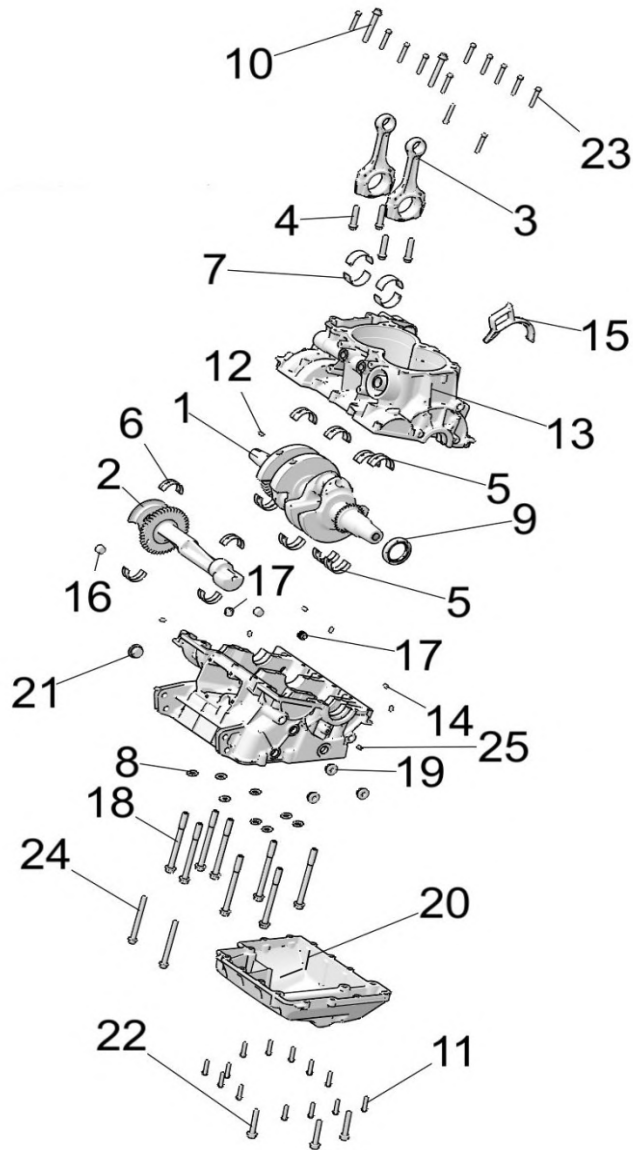
2019 RGR RANGER XP1000 EPS EU/TR/ZUG (R13) - R19RRE99F1/FC/SC1/SCC/SFC/SF1/SJ1/PCC/PFC



POS	SAP	Part Name	Qty
1	1046931	ASM., RADIATOR [INCL. 2-5]	1
2	1002468	CAP	1
3	1046932	ASM., RADIATOR, CORE	1
4	1046933	FAN, ASM.	1
5	1039757	BOLT	4
6	1011820	CAP, OVER FLOW BOTTLE, DRILLED	1
7	1011824	PLUG, CAP	1
8	1039565	TANK, SURGE	1
9	1012347	GASKET, OVER FLOW CAP	1
10	1039913	LINE, FUEL	AR
11	1039287	GROMMET, FLANGED	4
12	1046934	TUBE-COOLANT,1"	1
13	1046935	BRKT-RADIATOR MNT,LWR,BLK	2
14	1046936	CLIP-COOLANT ROUTING	2
15	1014065	CLIP-ROUTING	1
16	1039714	SCREW	2
17	1046937	HOSE-UPPER,RAD	1
18	1046938	HOSE-ENG,OUT	1
19	1046939	HOSE-LOWER,RAD	1
20	1046940	HOSE-ENG,IN	1
21	1039621	SPRINGBAND, CLAMP	8
22	1046941	BRKT-RADIATOR MOUNT,BLK	2
23	1039628	CLAMP, HOSE	2
24	1039683	SCREW	6
25	1039666	SCREW	2
26	1046942	TUBE-COOLANT,1",UPPER	1
27	1014423	SCR-#10X3/4-HI/LO-PN-T25,TRX-M	2
28	1046943	SHROUD-RADIATOR,FRONT,BLK [TO 2/4/2019]	1
28	1046944	SHROUD-RADIATOR,FRONT,BLK [FROM 2/4/2019]	1
29	1014589	RIVET-TUFLOK,.315-.325X.787	4

# ENGINE, CRANKCASE AND CRANKSHAFT

2019 RGR RANGER XP1000 EPS EU/TR/ZUG (R13) - R19RRE99F1/FC/SC1/SCC/SFC/SF1/SJ1/PCC/PFC

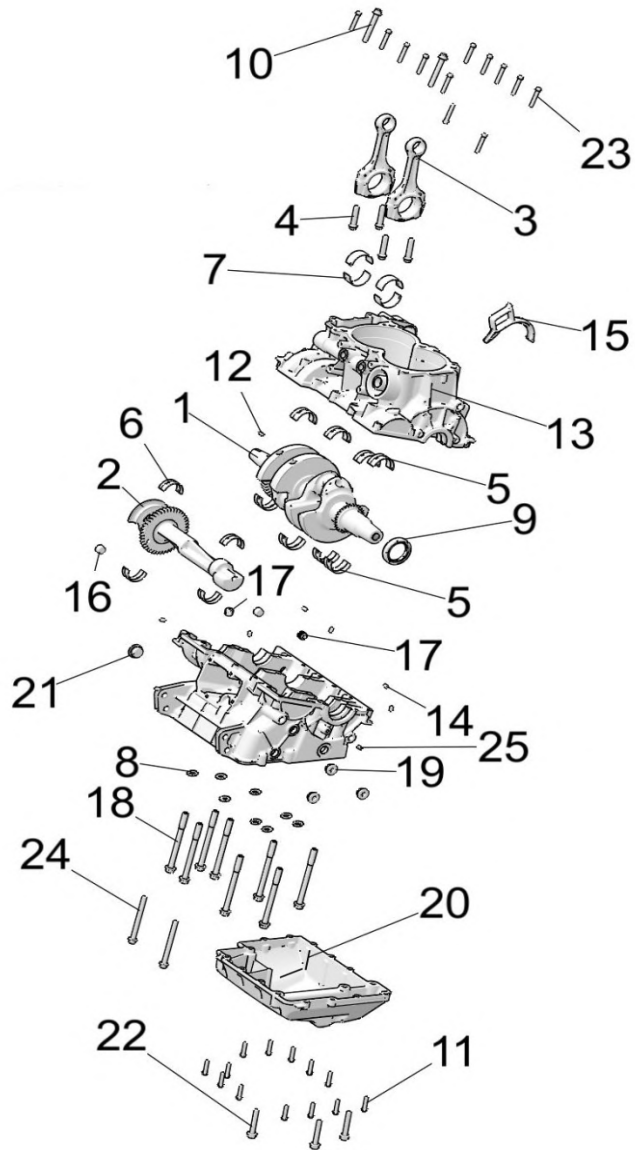


POS	SAP	Part Name	Qty
1	1028600	ASM-CRANKSHAFT,MACH [FROM 1/25/2019][TO 7/9/2019]	1
1	1046945	ASM-CRANKSHAFT [TO 10/1/2018]	1
1	1045245	ASM-CRANKSHAFT [FROM 10/1/2018][TO 1/25/2019]	1
1	1031691	ASM-CRANKSHAFT,MACH [FROM 7/9/2019]	1
2	1039348	ASM., BALANCE SHAFT	1
3	1028601	ASM., CONNECTING ROD [INCL. 4]	2
4	1039762	SCR-ROD,MJ9X1X40-4H6H,12.9	4
5	1028584	BEARING, MAIN, WHITE	8
5	1028585	BEARING, MAIN, BLUE	8
5	1028586	BEARING, MAIN, GREEN	7
5	1028587	BEARING, MAIN, YELLOW	7
5	1028588	BEARING, MAIN, RED	7
6	1028589	BEARING, CONNECTING ROD, WHITE	4
6	1028590	BEARING, CONNECTING ROD, BLUE	4
6	1028591	BEARING, CONNECTING ROD, GREEN	4
6	1028592	BEARING, CONNECTING ROD, YELLOW	4
7	1028596	BEARING, BALANCE SHAFT	4
8	1040338	WASHER	8
9	1028602	SEAL-CRANKSHAFT	1
10	1039731	SCREW	2
11	1039744	SCREW	13
12	1014636	KEY, WOODRUFF	1
13	1046946	KIT, CRANKCASE [INCL. 14-19]	1
14	1039498	PIN, DOWEL	8
15	1039579	DIVERTER, OIL DRAIN	1
16	1039610	PLUG	2
17	1039708	PLUG	2
18	1039726	SCREW	8
19	1045714	PLUG-HEX SCKT,W/O-RING,M16X1.5	3



# ENGINE, CRANKCASE AND CRANKSHAFT

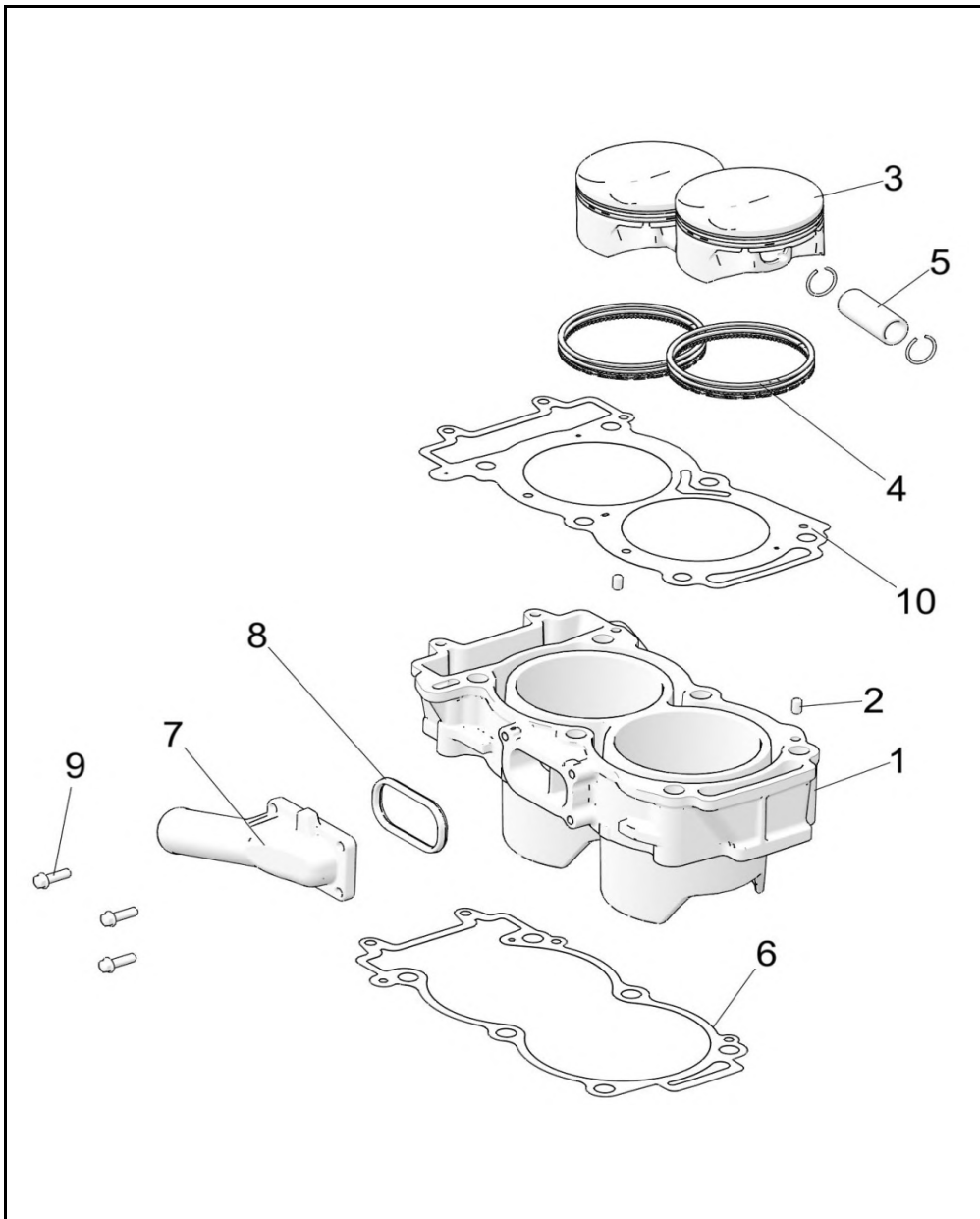
2019 RGR RANGER XP1000 EPS EU/TR/ZUG (R13) - R19RRE99F1/FC/SC1/SCC/SFC/SF1/SJ1/PCC/PFC



POS	SAP	Part Name	Qty
20	<a href="#">1039501</a>	COVER, SUMP	1
21	<a href="#">1039611</a>	PLUG-HEX SCKT,W/O-RING,M20X1.5	1
22	<a href="#">1039664</a>	SCREW	3
23	<a href="#">1039699</a>	SCREW	12
24	<a href="#">1039727</a>	SCREW	2
25	<a href="#">1046947</a>	SCR-M6X1X10,SET,PATCHLOC	1

# ENGINE, CYLINDER AND PISTON

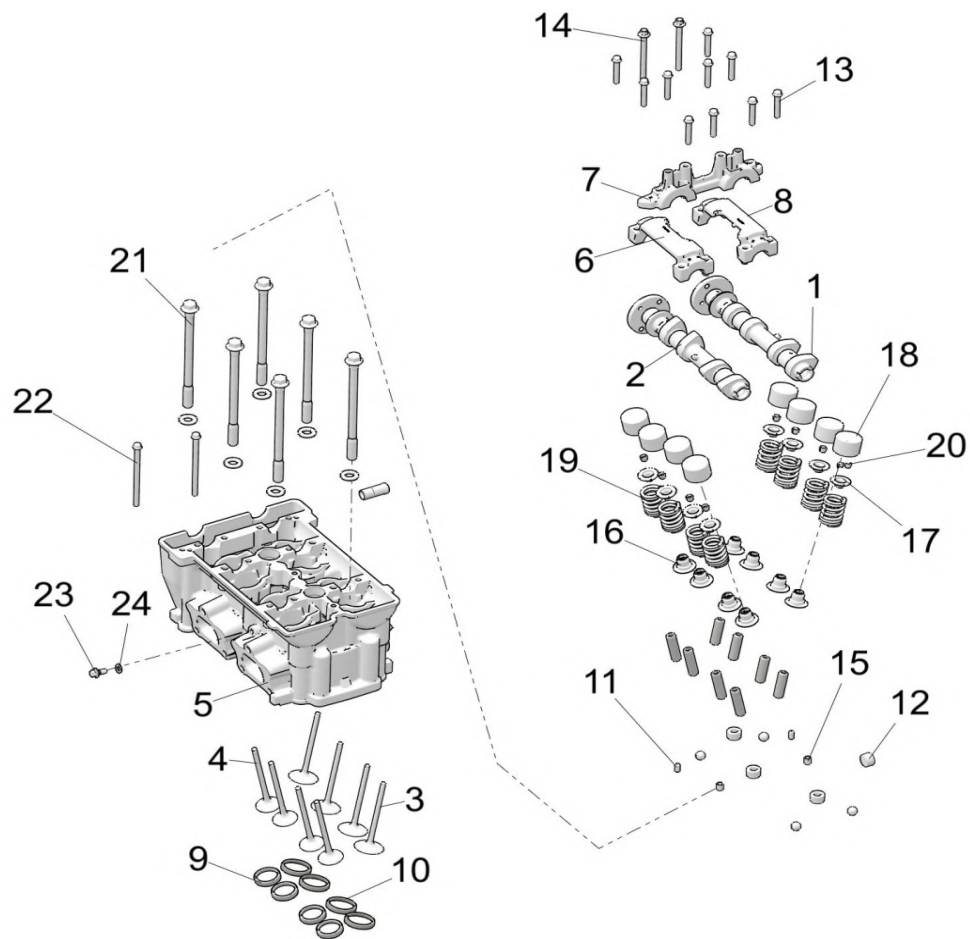
2019 RGR RANGER XP1000 EPS EU/TR/ZUG (R13) - R19RRE99F1/FC/SC1/SCC/SFC/SF1/SJ1/PCC/PFC



POS	SAP	Part Name	Qty
1	<a href="#">1039415</a>	ASM-CYLINDER,999 [INCL. 2]	1
2	<a href="#">1039498</a>	PIN, DOWEL	2
3	<a href="#">1039376</a>	ASM., PISTON 3022567 [INCL. 4,5]	2
4	<a href="#">1039377</a>	KIT, PISTON RINGS	2
5	<a href="#">1039406</a>	PIN, PISTON	2
6	<a href="#">1028599</a>	GASKET, BASE, 2 CYL	1
7	<a href="#">1039588</a>	COVER, WATER INLET, CAST	1
8	<a href="#">1039596</a>	GASKET, WATER, INLET	1
9	<a href="#">1039698</a>	SCREW	3
10	<a href="#">1028598</a>	GASKET, CYLINDER, HEAD	1

# ENGINE, CYLINDER HEAD AND VALVES

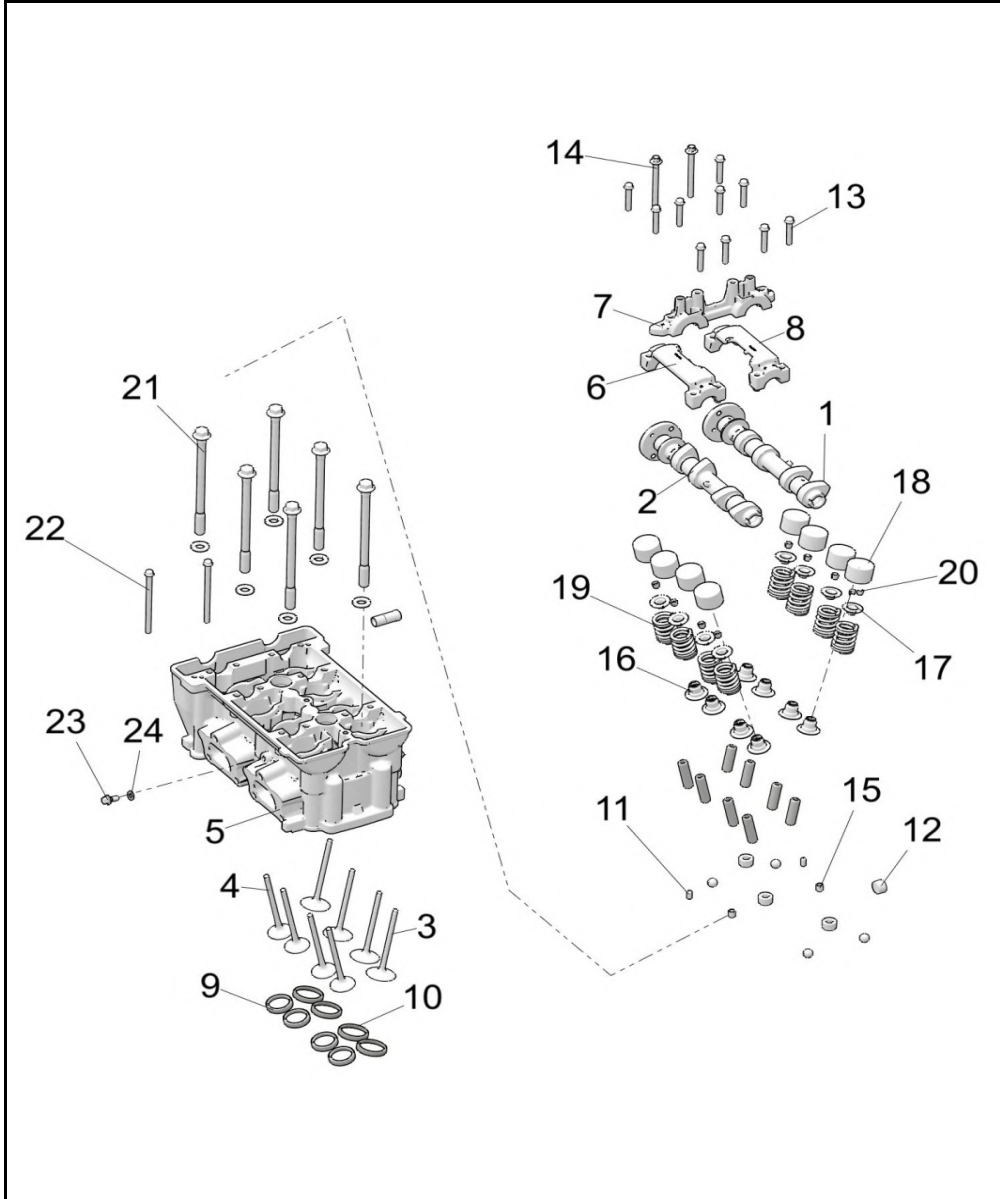
2019 RGR RANGER XP1000 EPS EU/TR/ZUG (R13) - R19RRE99F1/FC/SC1/SCC/SFC/SF1/SJ1/PCC/PFC



POS	SAP	Part Name	Qty
1	1046948	ASM-CAMSHAFT,INTAKE,875-218	1
2	1046949	ASM-CAMSHAFT,EXHAUST,800-208	1
3	1040091	VALVE-INTAKE	4
4	1039407	VALVE-EXHAUST	4
5	1040089	ASM-CYLINDER,HEAD [INCL. 6-15]	1
6	1040338	CARRIER, CAMSHAFT, DOHC, EXHAUST [INCL. IN CYLINDER HEAD ASM.]	1
7	1040338	CARRIER, CAMSHAFT, DOHC, TRANS [INCL. IN CYLINDER HEAD ASM.]	1
8	1040338	CARRIER, CAMSHAFT, DOHC, INTAKE [INCL. IN CYLINDER HEAD ASM.]	1
9	1040338	GUIDE, VALVE, INTAKE [INCL. IN CYLINDER HEAD ASM.]	4
10	1040338	GUIDE, VALVE, EXHAUST [INCL. IN CYLINDER HEAD ASM.]	4
11	1040428	PIN-DOWEL,M6X10	2
12	1045256	PLUG	4
13	1040426	SCREW	10
14	1040427	SCREW	2
15	1040425	DOWEL	4
16	1008817	SEAT, W/SEAL, VALVE SPRING	8
17	1039504	RETAINER, VALVE	8
18	1039838	TAPPET, VALVE, GRADED, 4.400	AR
18	1039839	TAPPET, VALVE, GRADED, 4.425	AR
18	1039840	TAPPET, VALVE, GRADED, 4.450	AR
18	1039841	TAPPET, VALVE, GRADED, 4.475	AR
18	1039842	TAPPET, VALVE, GRADED, 4.500	AR
18	1039843	TAPPET, VALVE, GRADED, 4.525	AR
18	1039844	TAPPET, VALVE, GRADED, 4.550	AR
18	1039845	TAPPET, VALVE, GRADED, 4.575	AR
18	1039846	TAPPET, VALVE, GRADED, 4.600	AR
18	1039847	TAPPET, VALVE, GRADED, 4.625	AR

# ENGINE, CYLINDER HEAD AND VALVES

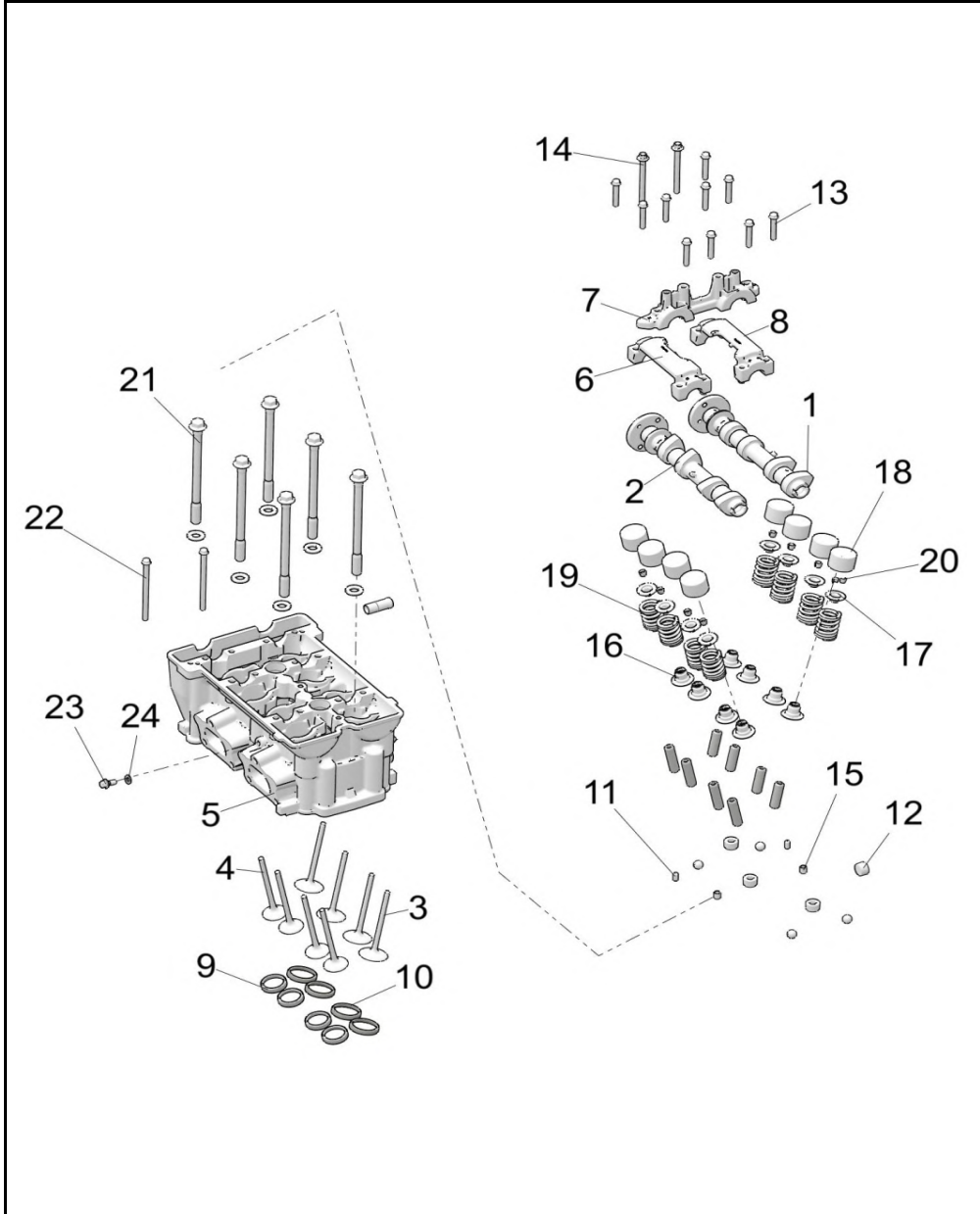
2019 RGR RANGER XP1000 EPS EU/TR/ZUG (R13) - R19RRE99F1/FC/SC1/SCC/SFC/SF1/SJ1/PCC/PFC



POS	SAP	Part Name	Qty
18	<a href="#">1039848</a>	TAPPET, VALVE, GRADED, 4.650	AR
18	<a href="#">1039849</a>	TAPPET, VALVE, GRADED, 4.675	AR
18	<a href="#">1041355</a>	TAPPET, VALVE, GRADED, 4.700	AR
18	<a href="#">1039851</a>	TAPPET, VALVE, GRADED, 4.725	AR
18	<a href="#">1039852</a>	TAPPET, VALVE, GRADED, 4.750	AR
18	<a href="#">1039853</a>	TAPPET, VALVE, GRADED, 4.775	AR
18	<a href="#">1039854</a>	TAPPET, VALVE, GRADED, 4.800	AR
18	<a href="#">1039855</a>	TAPPET, VALVE, GRADED, 4.825	AR
18	<a href="#">1039856</a>	TAPPET, VALVE, GRADED, 4.850	AR
18	<a href="#">1039857</a>	TAPPET, VALVE, GRADED, 4.875	AR
18	<a href="#">1039858</a>	TAPPET, VALVE, GRADED, 4.900	AR
18	<a href="#">1039859</a>	TAPPET, VALVE, GRADED, 4.925	AR
18	<a href="#">1039860</a>	TAPPET, VALVE, GRADED, 4.950	AR
18	<a href="#">1039861</a>	TAPPET, VALVE, GRADED, 4.975	AR
18	<a href="#">1039862</a>	TAPPET, VALVE, GRADED, 5.000	AR
18	<a href="#">1039863</a>	TAPPET, VALVE, GRADED, 5.025	AR
18	<a href="#">1039864</a>	TAPPET, VALVE, GRADED, 5.050	AR
18	<a href="#">1039865</a>	TAPPET, VALVE, GRADED, 5.075	AR
18	<a href="#">1039866</a>	TAPPET, VALVE, GRADED, 5.100	AR
18	<a href="#">1039867</a>	TAPPET, VALVE, GRADED, 5.125	AR
18	<a href="#">1039868</a>	TAPPET, VALVE, GRADED, 5.150	AR
18	<a href="#">1039869</a>	TAPPET, VALVE, GRADED, 5.175	AR
18	<a href="#">1039870</a>	TAPPET, VALVE, GRADED, 5.200	AR
18	<a href="#">1039871</a>	TAPPET, VALVE, GRADED, 5.225	AR
18	<a href="#">1039872</a>	TAPPET, VALVE, GRADED, 5.250	AR
18	<a href="#">1039873</a>	TAPPET, VALVE, GRADED, 5.275	AR
18	<a href="#">1039874</a>	TAPPET, VALVE, GRADED, 5.300	AR
18	<a href="#">1039875</a>	TAPPET, VALVE, GRADED, 5.325	AR
18	<a href="#">1039876</a>	TAPPET, VALVE, GRADED, 5.350	AR

# ENGINE, CYLINDER HEAD AND VALVES

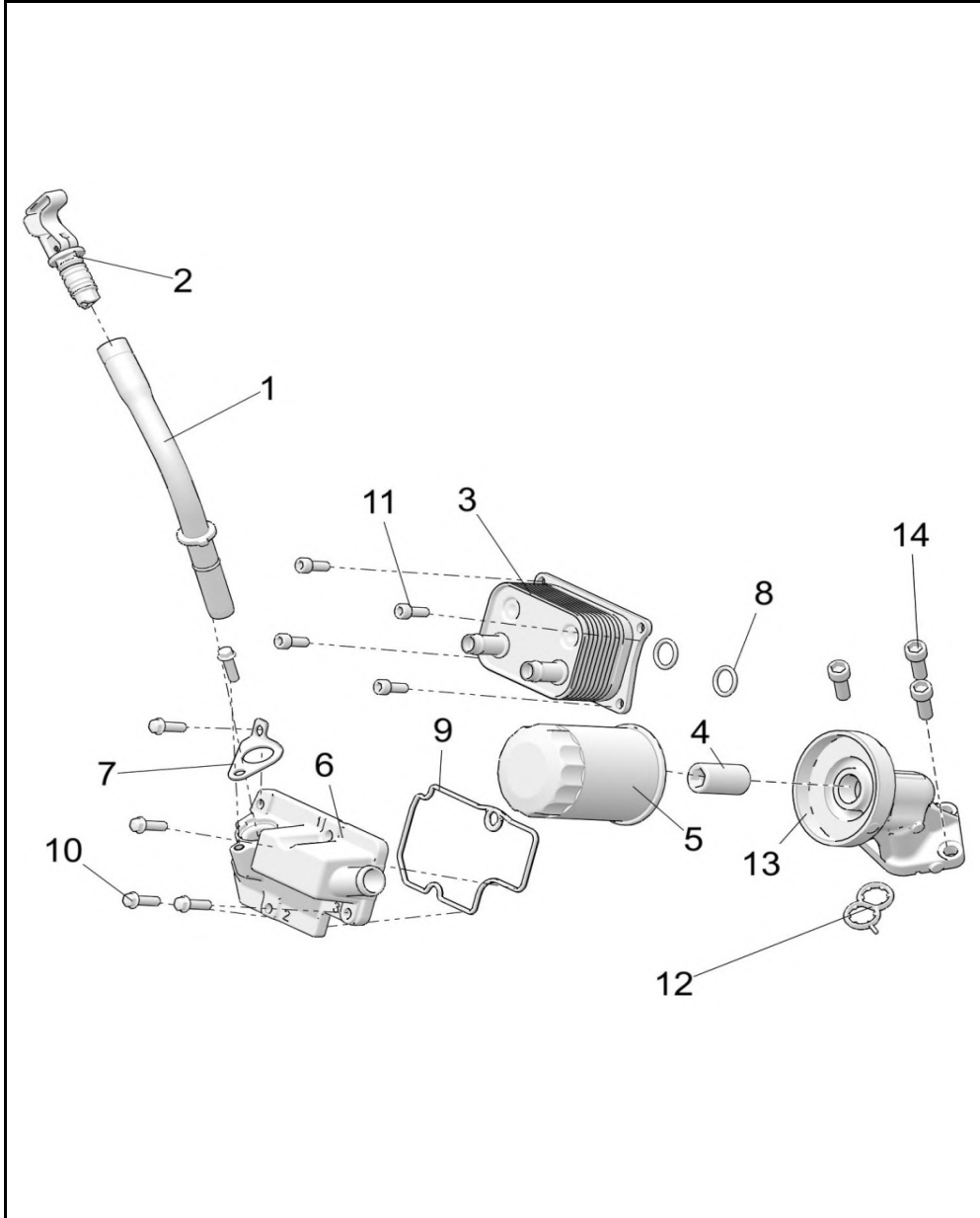
2019 RGR RANGER XP1000 EPS EU/TR/ZUG (R13) - R19RRE99F1/FC/SC1/SCC/SFC/SF1/SJ1/PCC/PFC



POS	SAP	Part Name	Qty
18	<a href="#">1039877</a>	TAPPET, VALVE, GRADED, 5.375	AR
18	<a href="#">1039878</a>	TAPPET, VALVE, GRADED, 5.400	AR
18	<a href="#">1039879</a>	TAPPET, VALVE, GRADED, 5.425	AR
18	<a href="#">1039880</a>	TAPPET, VALVE, GRADED, 5.450	AR
19	<a href="#">1046950</a>	SPRING-VALVE	8
20	<a href="#">1039631</a>	KEEPER, VALVE	16
21	<a href="#">1039725</a>	BOLT, HEAD	6
22	<a href="#">1014449</a>	SCREW	2
23	<a href="#">1039764</a>	SCREW	1
24	<a href="#">1039801</a>	WASHER, FLAT	1

# ENGINE, DIPSTICK AND OIL FILTER

2019 RGR RANGER XP1000 EPS EU/TR/ZUG (R13) - R19RRE99F1/FC/SC1/SCC/SFC/SF1/SJ1/PCC/PFC

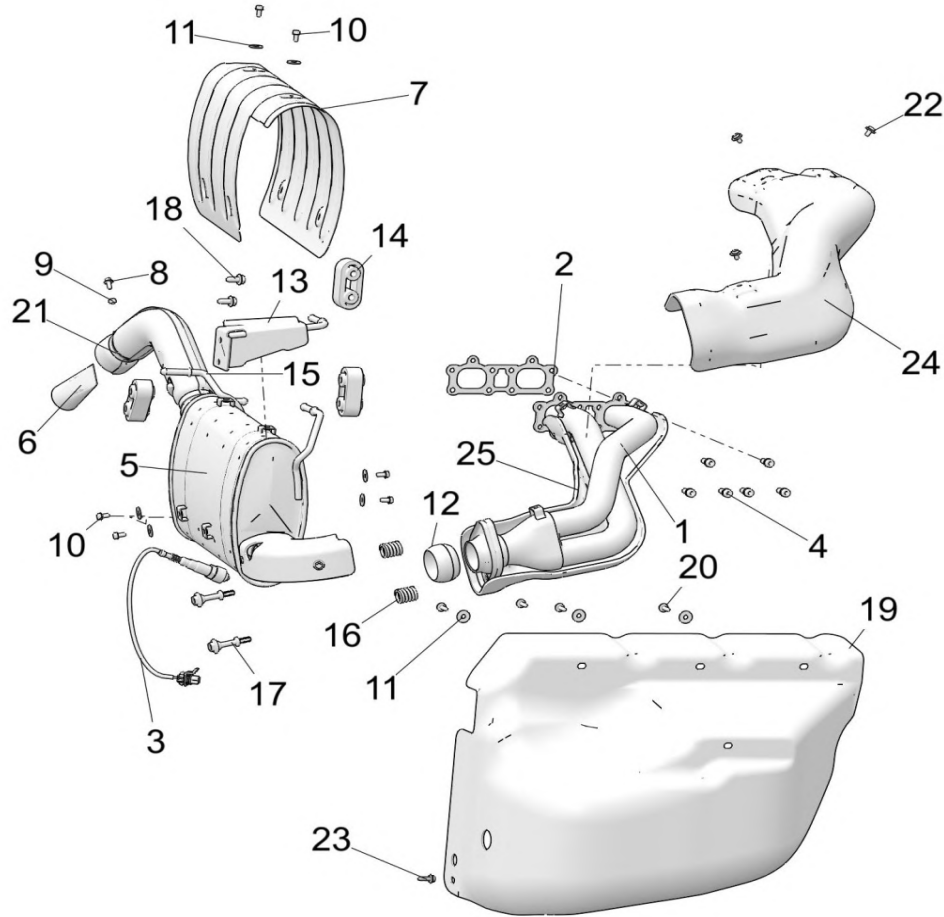


POS	SAP	Part Name	Qty
1	<a href="#">1039347</a>	ASM., OIL FILL TUBE [INCL. O-RING]	1
1	<a href="#">1039541</a>	O-RING	1
2	<a href="#">1007016</a>	ASM-DIPSTICK	1
3	<a href="#">1040451</a>	COOLER-OIL TO WATER,5	1
4	<a href="#">1039385</a>	ADAPTER, FILTER, STRAIGHT	1
5	<a href="#">1006092</a>	FILTER, OIL	1
5	<a href="#">1040452</a>	FILTER-HD,OIL [HD OPTION]	1
6	<a href="#">1039502</a>	COVER, BREATHER	1
7	<a href="#">1039511</a>	BRACKET, TUBE, OIL FILL, LOWER	1
8	<a href="#">1039540</a>	O-RING	2
9	<a href="#">1012352</a>	SEAL, COVER, BREATHER	1
10	<a href="#">1039698</a>	SCREW	5
11	<a href="#">1039747</a>	SCREW	4
12	<a href="#">1046951</a>	SEAL-FILTER ADAPTER 3HOLE	1
13	<a href="#">1045263</a>	ADAPTER-OIL FILTER,MACH	1
14	<a href="#">1045264</a>	SCR-SH-M8X1.25X25 8.8 ZPC NYL	3



# ENGINE, EXHAUST SYSTEM

2019 RGR RANGER XP1000 EPS EU/TR/ZUG (R13) - R19RRE99F1/FC/SC1/SCC/SFC/SF1/SJ1/PCC/PFC

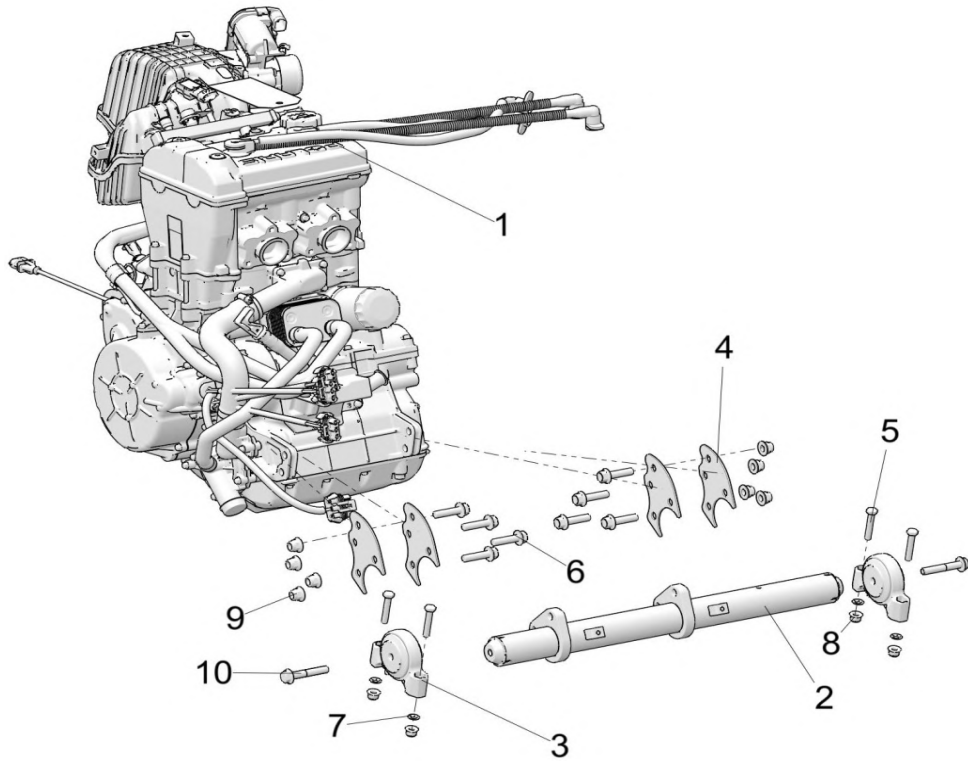


POS	SAP	Part Name	Qty
1	<a href="#">1046952</a>	ASM-HEADPIPE [INCL. 22(QTY3), 25]	1
2	<a href="#">1008814</a>	GASKET-EXHAUST SEAL	1
3	<a href="#">1009569</a>	SENSOR-LAMBDA,LSF 4.2	1
4	<a href="#">1039711</a>	SCR-M8X1.25X22,HX/SO	6
5	<a href="#">1046953</a>	ASM-SILENCER [INCL. 6-10,11(QTY 6),14,15,21,22(QTY 4)]	1
6	<a href="#">1040436</a>	WELD-SPARK ARRESTOR,AVA875	1
7	<a href="#">1046954</a>	SHIELD-SILENCER	1
8	<a href="#">1039661</a>	SCR-HXFL-M6X1.0X12 10.9 ZPC	1
9	<a href="#">1039777</a>	NUT-HEXHD,M6,DIN980V,0600100	1
10	<a href="#">1040437</a>	SCR-1/4-20X1/2,TFM HW-M	6
11	<a href="#">1040438</a>	WASHER-.28 X .81 X .06, ST-M	11
12	<a href="#">1008819</a>	GASKET-DOUBLE SPHERICAL,2"	1
13	<a href="#">1046955</a>	WELD-EXHAUST HANGER,BLK	1
14	<a href="#">1011852</a>	MNT-ISOLATOR	3
15	<a href="#">1046956</a>	EXHAUST-HANGER,SILENCER	1
16	<a href="#">1014024</a>	SPRING-SPHERICAL,EXH,INC 718	2
17	<a href="#">1014477</a>	STUD-SPHERICAL,EXHAUST	2
18	<a href="#">1039688</a>	SCR-TFHFL-M8X1.25X20 CHS ZOD	2
19	<a href="#">1046957</a>	SHIELD-HEAT,FULL,RGR	1
20	<a href="#">1044268</a>	SCR-TFHFL-M6X1.0X25,ZOD	3
21	<a href="#">1039632</a>	CLAMP-HEAT SHIELD,EXHAUST	2
22	<a href="#">1014484</a>	SCR-HHSEMS-M6X1.0X10 A286,LOCK	10
23	<a href="#">1039683</a>	SCR-M6X1.0X20,HXHD,FLG,TDFM,BK	2
24	<a href="#">1046958</a>	SHIELD-HEADPIPE, TOP	1
25	<a href="#">1046959</a>	SHIELD-HEADPIPE, BTM	1



# ENGINE, MOUNTING

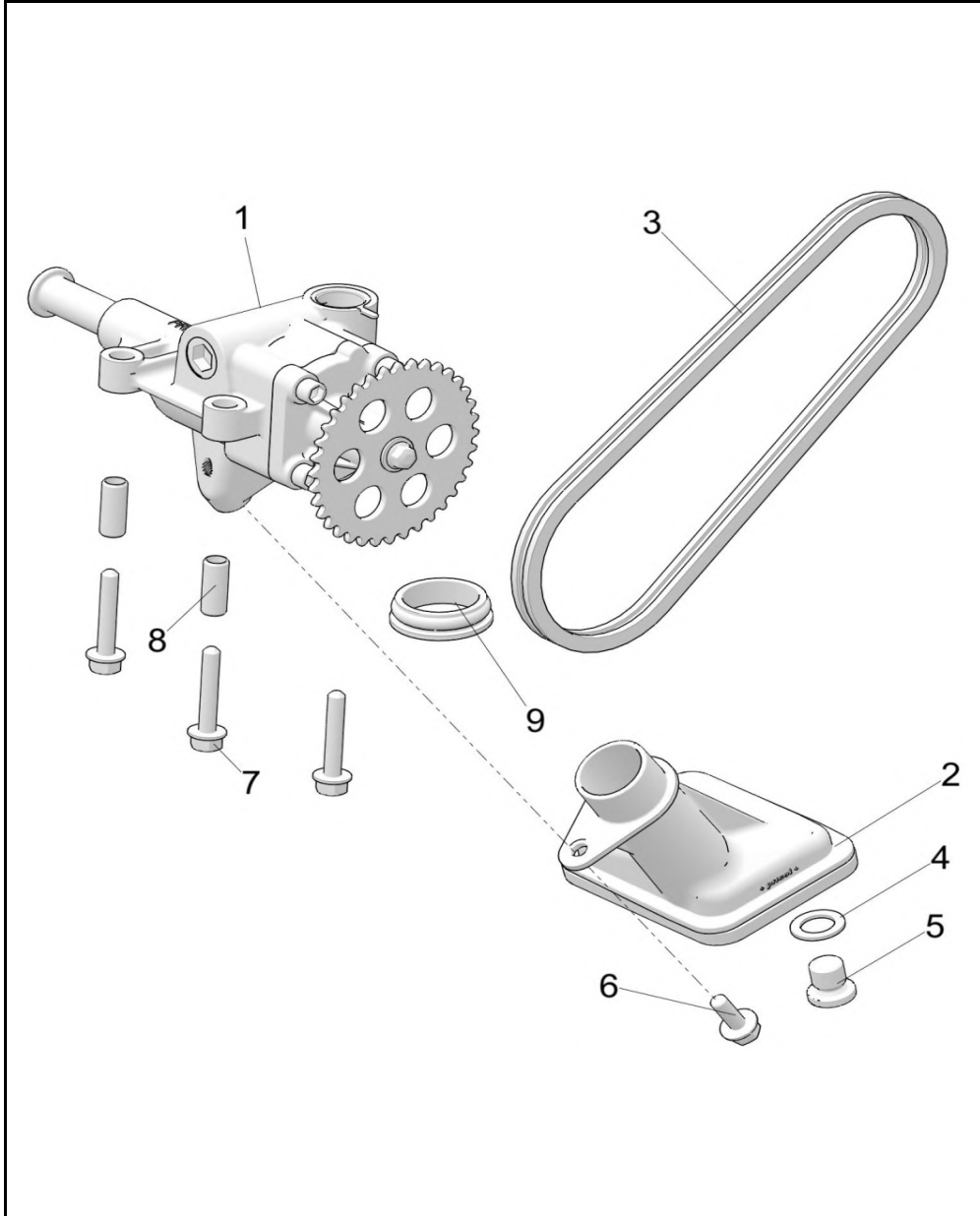
2019 RGR RANGER XP1000 EPS EU/TR/ZUG (R13) - R19RRE99F1/FC/SC1/SCC/SFC/SF1/SJ1/PCC/PFC



POS	SAP	Part Name	Qty
1	1046960	K-LONG BLOCK 999	1
2	1045273	WELD-MOUNT,ENGINE,E.COAT	1
3	1039356	MOUNT, ISOLATOR, DRIVELINE	2
4	1039519	BRACKET, MOUNT, ENGINE	4
5	1039723	SCREW	4
6	1039751	SCREW	8
7	1039776	NUT, PAL	4
8	1014499	NUT- M8X1.25, FLG, NYLOC-OLIVE D	4
9	1014500	NUT, FLANGE, NYLOK	8
10	1039707	BOLT	2

# ENGINE, OIL PUMP

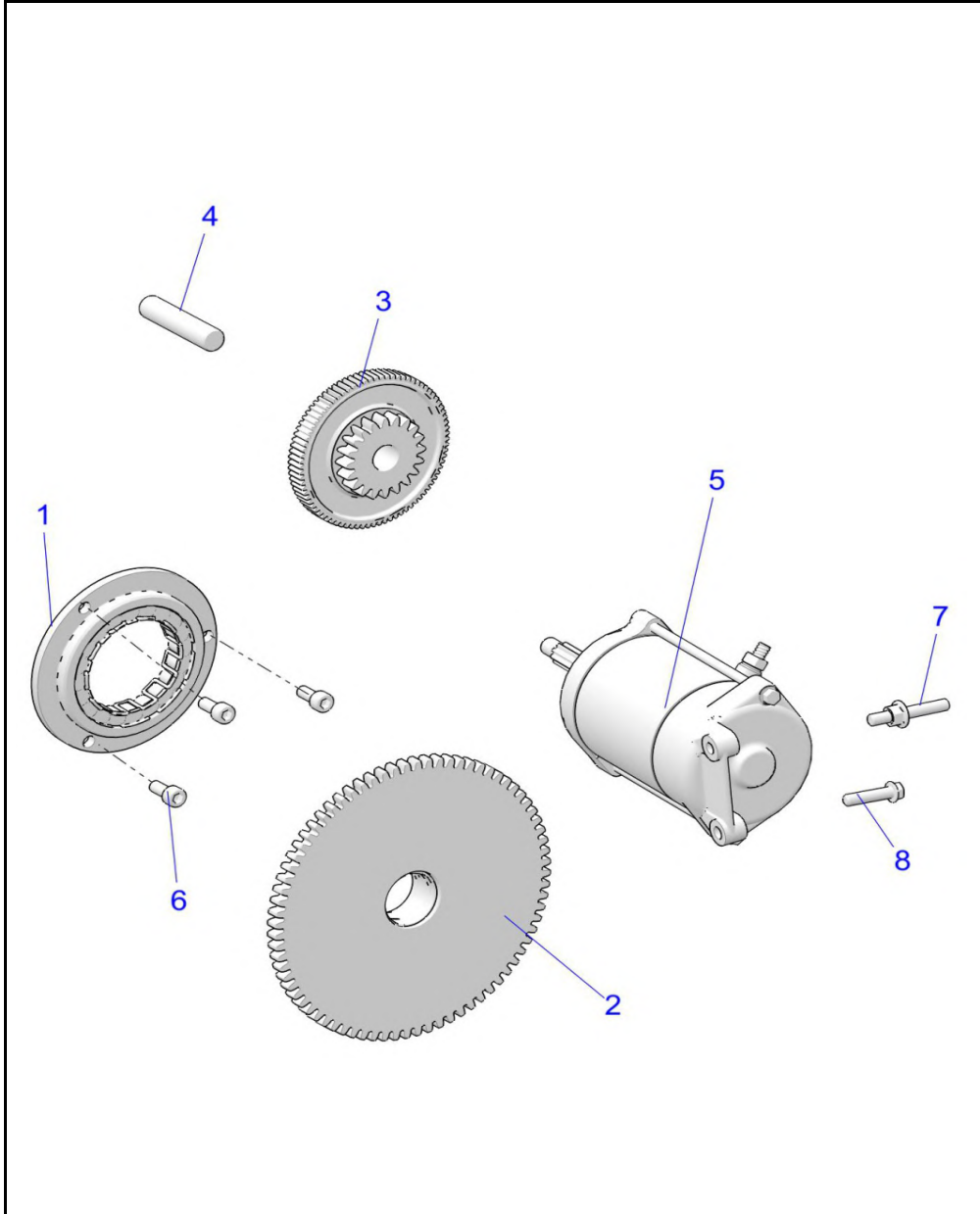
2019 RGR RANGER XP1000 EPS EU/TR/ZUG (R13) - R19RRE99F1/FC/SC1/SCC/SFC/SF1/SJ1/PCC/PFC



POS	SAP	Part Name	Qty
1	<a href="#">1040449</a>	ASM-PUMP,OIL,WET SUMP [INCL. SEAL][TO 1/17/2019]	1
1	<a href="#">1040453</a>	SEAL, OIL PUMP	1
1	<a href="#">1046961</a>	ASM-PUMP,OIL,WET SUMP [INCL. SEAL][FROM 1/17/2019]	1
2	<a href="#">1039386</a>	PICKUP, OIL	1
3	<a href="#">1039418</a>	CHAIN, OIL PUMP DRIVE	1
4	<a href="#">1012351</a>	WASHER, COPPER	1
5	<a href="#">1014028</a>	PLUG, SOCKET	1
6	<a href="#">1039735</a>	SCREW	1
7	<a href="#">1039660</a>	SCREW	3
8	<a href="#">1039811</a>	DOWEL, HOLLOW, OIL PUMP	2
9	<a href="#">1040338</a>	SEAL-PICKUP	1

# ENGINE, STARTER

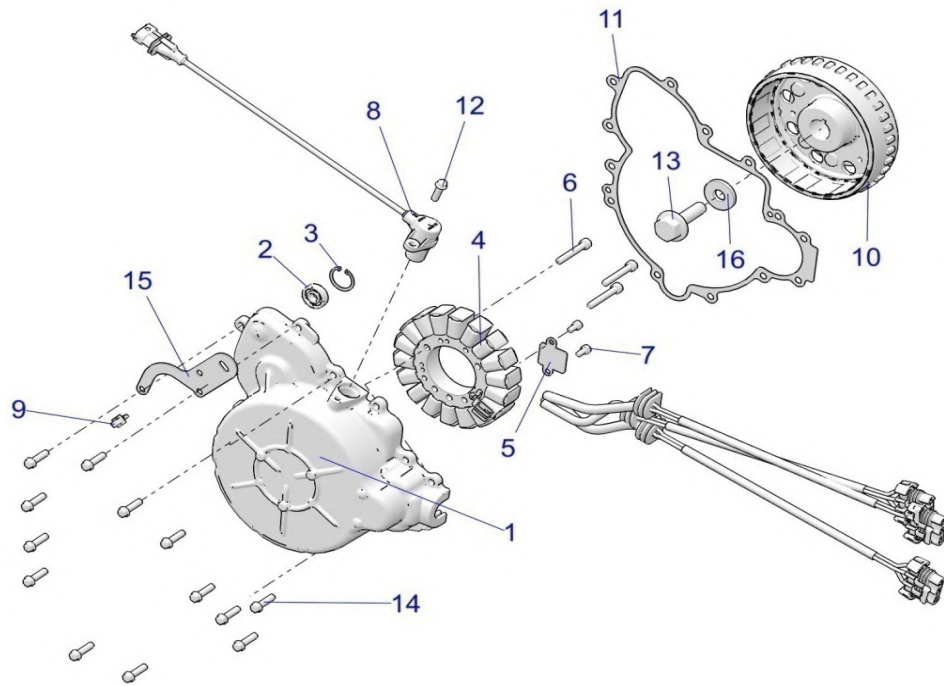
2019 RGR RANGER XP1000 EPS EU/TR/ZUG (R13) - R19RRE99F1/FC/SC1/SCC/SFC/SF1/SJ1/PCC/PFC



POS	SAP	Part Name	Qty
1	<a href="#">1046039</a>	ASM-SPRAG CLUTCH,HUB,STARTER	1
2	<a href="#">1002282</a>	ASM., GEAR, STARTER, CRANK	1
3	<a href="#">1007014</a>	ASM., TLG	1
4	<a href="#">1007006</a>	PIN, LIMIT, GEAR	1
5	<a href="#">1009586</a>	STARTER, 9T	1
6	<a href="#">1014428</a>	SCREW	3
7	<a href="#">1039736</a>	STUD, DOUBLE, END	1
8	<a href="#">1039744</a>	SCREW	1

# ENGINE, STATOR AND FLYWHEEL

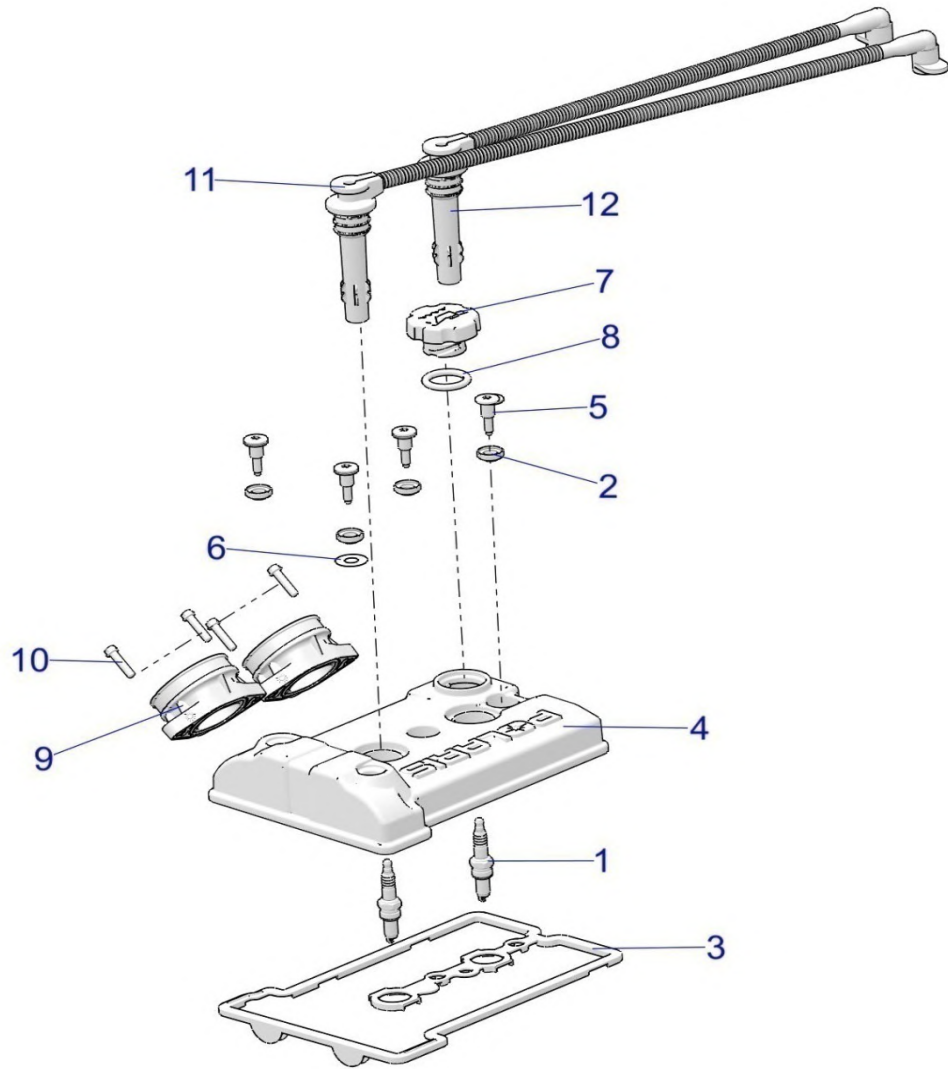
2019 RGR RANGER XP1000 EPS EU/TR/ZUG (R13) - R19RRE99F1/FC/SC1/SCC/SFC/SF1/SJ1/PCC/PFC



POS	SAP	Part Name	Qty
1	<a href="#">1039346</a>	ASM., IGNITION COVER [INCL. 2,3]	1
2	<a href="#">1039484</a>	BEARING, BALL	1
3	<a href="#">1039819</a>	RING, SNAP	1
4	<a href="#">1009605</a>	STATOR-660W,706MM [FROM 12/3/2018]	1
4	<a href="#">1046962</a>	STATOR-660W,706MM [TO 12/3/2018]	1
5	<a href="#">1039512</a>	BRACKET, RETAINER, WIRE	1
6	<a href="#">1039653</a>	SCREW	3
7	<a href="#">1039665</a>	SCREW	2
8	<a href="#">1005829</a>	SENSOR, CRANK POSITION	1
9	<a href="#">1040407</a>	CLIP-WIRE,6.35MM	1
10	<a href="#">1046963</a>	FLYWHEEL	1
11	<a href="#">1012355</a>	GASKET, COVER, IGNITION	1
12	<a href="#">1039698</a>	SCREW	1
13	<a href="#">1014481</a>	SCREW	1
14	<a href="#">1039744</a>	SCREW	13
15	<a href="#">1046964</a>	BRKT-HOSE,BYPASS	1
16	<a href="#">1014531</a>	WASHER	1

# ENGINE, THROTTLE BODY AND VALVE COVER

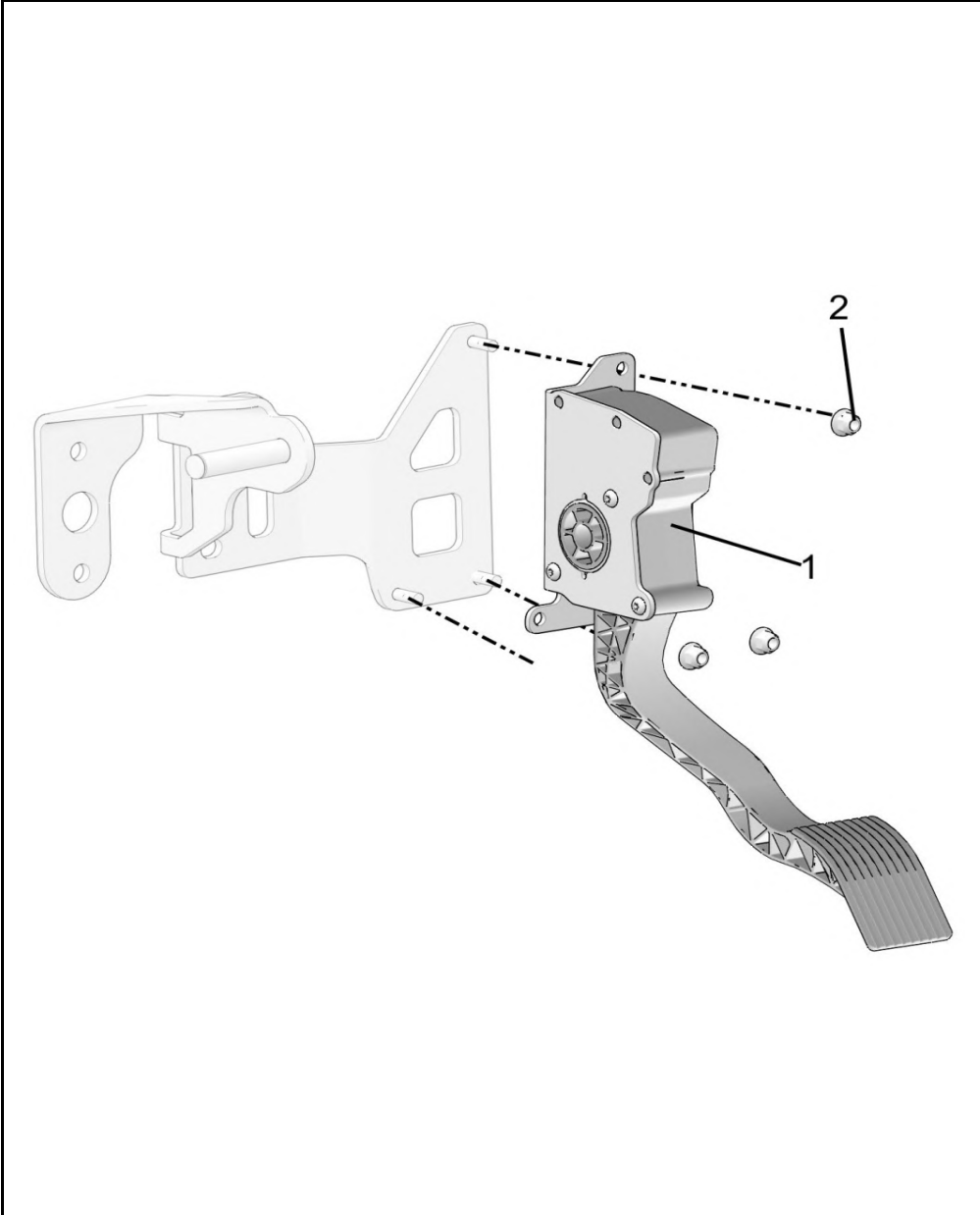
2019 RGR RANGER XP1000 EPS EU/TR/ZUG (R13) - R19RRE99F1/FC/SC1/SCC/SFC/SF1/SJ1/PCC/PFC



POS	SAP	Part Name	Qty
1	1007009	PLUG, SPARK	2
2	1011796	ISOLATOR, VALVE COVER	4
3	1011807	SEAL, VALVE COVER,	1
4	1039589	COVER, VALVE, CAST	1
5	1039730	BOLT, SHOULDRER	4
6	1014530	WASHER, GROUNDING	1
7	1002289	ASM., OIL FILL CAP [INCL. 8]	1
8	1011803	O-RING-FILL CAP	1
9	1040443	ADAPTOR-THROTTLE BODY	2
10	1039744	SCREW	4
11	1009598	WIRE-SPARKPLUG,MAG	1
12	1009599	WIRE-SPARKPLUG,PTO	1

# ENGINE, THROTTLE PEDAL

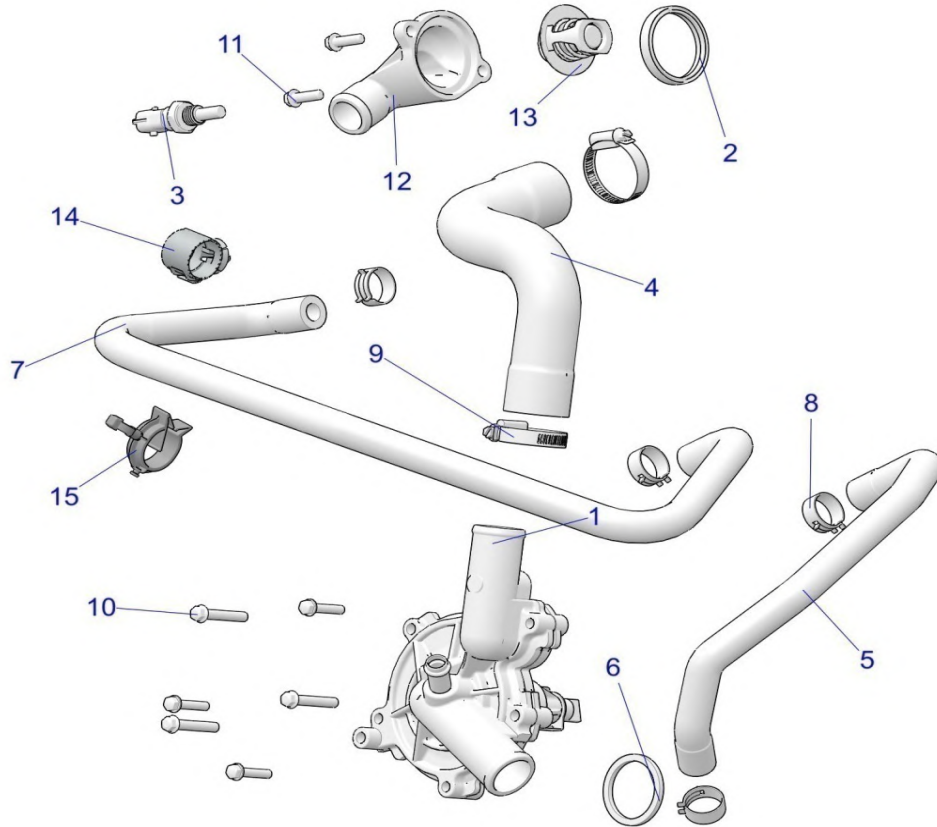
2019 RGR RANGER XP1000 EPS EU/TR/ZUG (R13) - R19RRE99F1/FC/SC1/SCC/SFC/SF1/SJ1/PCC/PFC



POS	SAP	Part Name	Qty
1	1009600	PEDAL-ELECTRONIC THROTTLE	1
2	1014499	NUT- M8X1.25, FLG, NYLOC-OLIVE D	

# ENGINE, WATERPUMP AND BYPASS

2019 RGR RANGER XP1000 EPS EU/TR/ZUG (R13) - R19RRE99F1/FC/SC1/SCC/SFC/SF1/SJ1/PCC/PFC

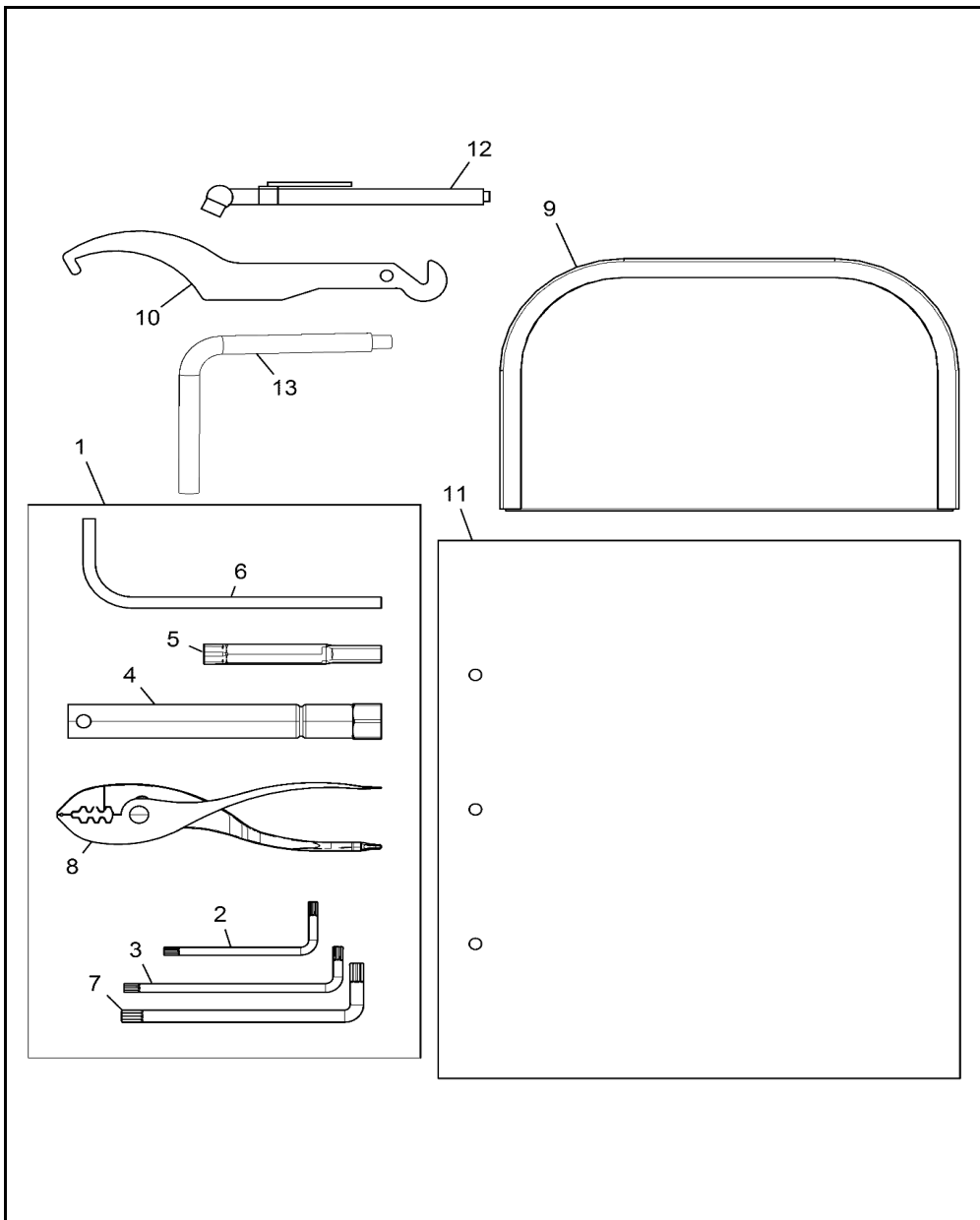


POS	SAP	Part Name	Qty
1	1040090	ASM, WATERPUMP	1
2	1011797	SEAL-THERMOSTAT	1
3	1009561	SENSOR, THERMISTER	1
4	1045284	HOSE-WATERPUMP,OUT	1
5	1045285	HOSE-OIL COOLER OUT	1
6	1039601	FILTER, WP	1
7	1046965	HOSE-BYPASS LINE	1
8	1039625	CLAMP, HOSE, SPRING	4
9	1039628	CLAMP, HOSE	2
10	1014452	SCREW	3
11	1039698	SCREW	2
12	1040403	COVER-THERMOSTAT	1
13	1014030	THERMOSTAT-44M FLANGE,180F	1
14	1040406	CLIP-HOSE	1
15	1046966	CLIP-OMEGA,CABLE/19-24.5MM DIA	1



# REFERENCE, OWNERS MANUAL AND TOOL KIT

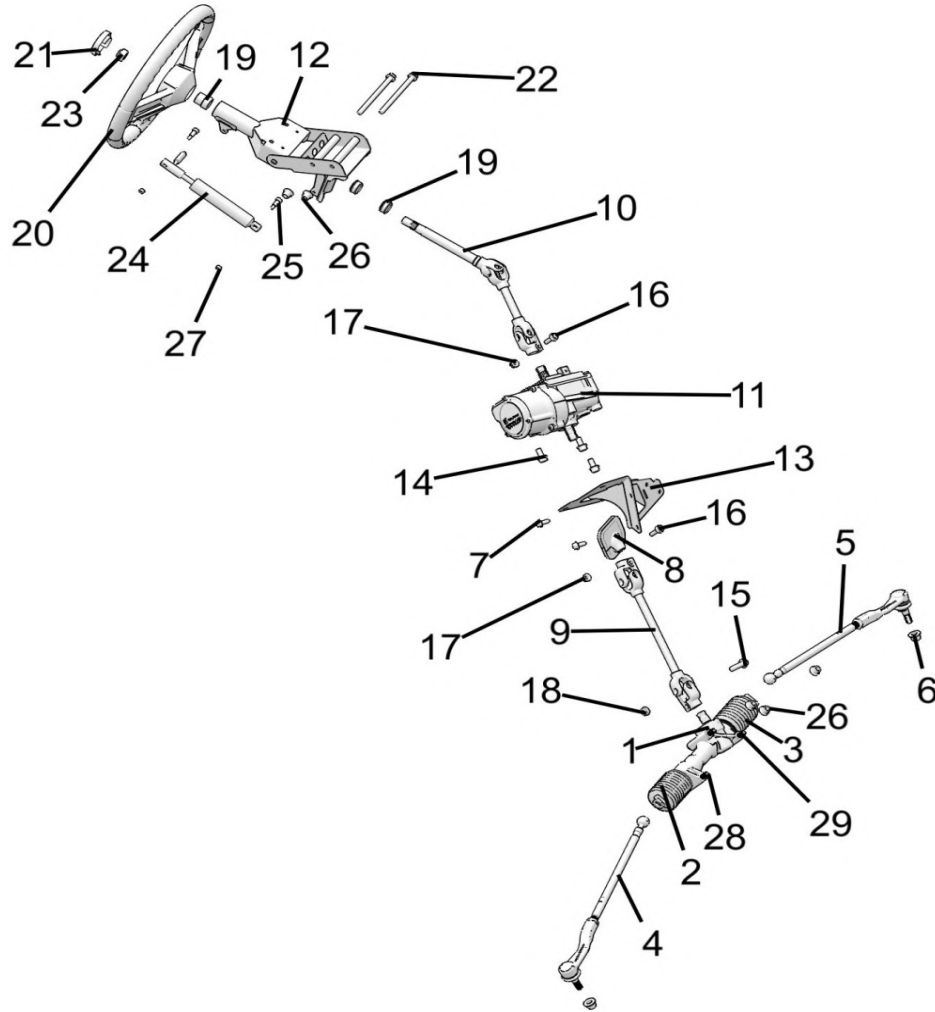
2019 RGR RANGER XP1000 EPS EU/TR/ZUG (R13) - R19RRE99F1/FC/SC1/SCC/SFC/SF1/SJ1/PCC/PFC



POS	SAP	Part Name	Qty
1	1006632	KIT, TOOL [INCL. 2-8]	1
2	1039400	WRENCH, TORX, T-25	1
3	1046967	Wrench, Torx, T-27	1
4	1046968	SOCKET, SPARK PLUG	1
5	1046969	DRIVER, NUT, 8MM	1
6	1046970	HANDLE, LONG-NUT DRIVER, 8MM	1
7	1039403	WRENCH, TORZ, T-40	1
8	1039401	PLIERS, COMBO	1
9	1039394	POUCH, TOOL KIT	1
10	1046058	WRENCH-SPANNER, CAM	1
11	1046971	MAN-OWN, 19 RNG 1000XP EU [E99F1][E99FC][P99FC]	1
11	1046972	MAN-OWN, 19 RNG 1000XP GERMAN [S99FC,F1]	1
11	1046973	MAN-OWN, 19 RNG 1000XP TR [S99C1,CC,J1][P99CC]	1
11	1046974	ADD-OWN, 19 RNG 1000XP ISR [S99J1]	1
12	1039402	GAUGE-TIRE PRESSURE,30 PSI	1
13	1046975	TOOL-BELT REMOVAL	1

# STEERING, STEERING ASM.

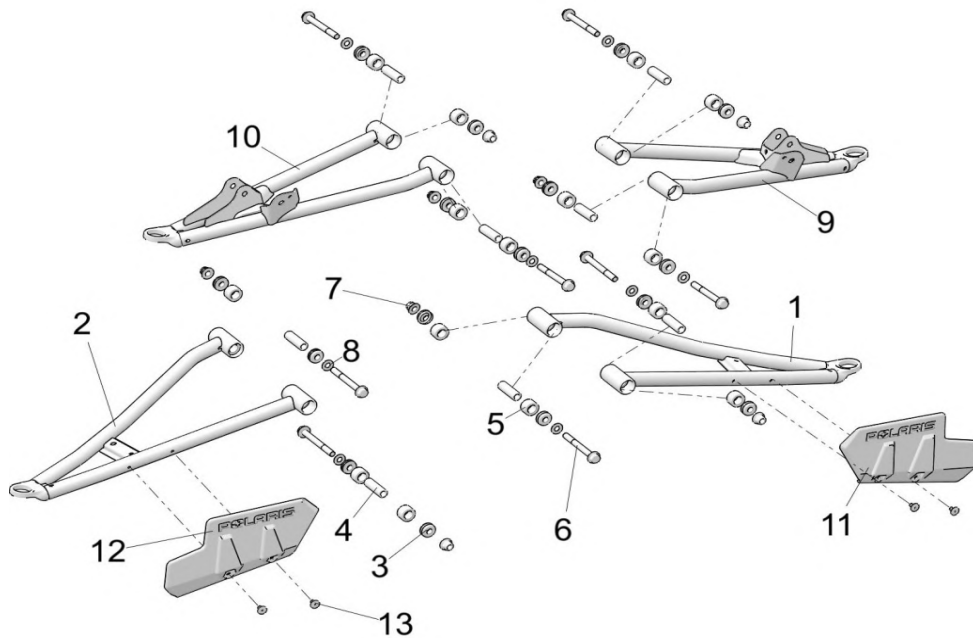
2019 RGR RANGER XP1000 EPS EU/TR/ZUG (R13) - R19RRE99F1/FC/SC1/SCC/SFC/SF1/SJ1/PCC/PFC



POS	SAP	Part Name	Qty
1	1046976	ASM-GEARBOX,STEERING,HD [INCL. 2-6, QTY 3 of 19]	1
2	1040338	D.S. BELLOWS	1
3	1040338	P.S. BELLOWS	1
4	1040338	TIE ROD, OUTER RH	1
5	1040338	TIE ROD, OUTER LH	1
6	1014501	NUT	2
7	1039688	SCR-TFHFL-M8X1.25X20 CHS ZOD	2
8	1046977	GROMMET-STEERING	1
9	1046978	SHAFT-STEERING LWR,W/JNT,EPAS	1
10	1039365	SHAFT-STEERING,UPPER	1
11	1005860	ASM-POWER STEERING,LT,2.5T [FROM 1/21/2019]	1
11	1046979	ASM-POWER STEERING,LT,2.5T [TO 1/21/2019]	1
12	1045741	ASM-TILT,STEER,RVTD,M10,MT,BLK	1
13	1046980	WELD-EPAS,MNT,BLK	1
14	1039690	BOLT	3
15	1039702	SCREW	1
16	1039716	SCREW	2
17	1014499	NUT- M8X1.25, FLG, NYLOC-OLIVE D	7
18	1039786	NUT	1
19	1014528	BUSHING-STEERING	2
20	1046981	WHEEL-STEERING	1
21	1046982	CAP-STEERING WHEEL	1
22	1039703	BOLT	2
23	1039791	NUT	1
24	1014004	ASM., SHOCK, OIL LOCKING	1
25	1039761	BOLT, SHOULDER	2
26	1039773	NUT-6MM X 1 NYLOK-Z	2
27	1014500	NUT, FLANGE, NYLOK	4
28	1046983	BOLT-M10X1.25X85MM,HXFLG,OLV D	1
29	1014442	SCR-HXFL-M10X1.25X95 10.9 ZOD	2

# SUSPENSION, FRONT CONTROL ARMS

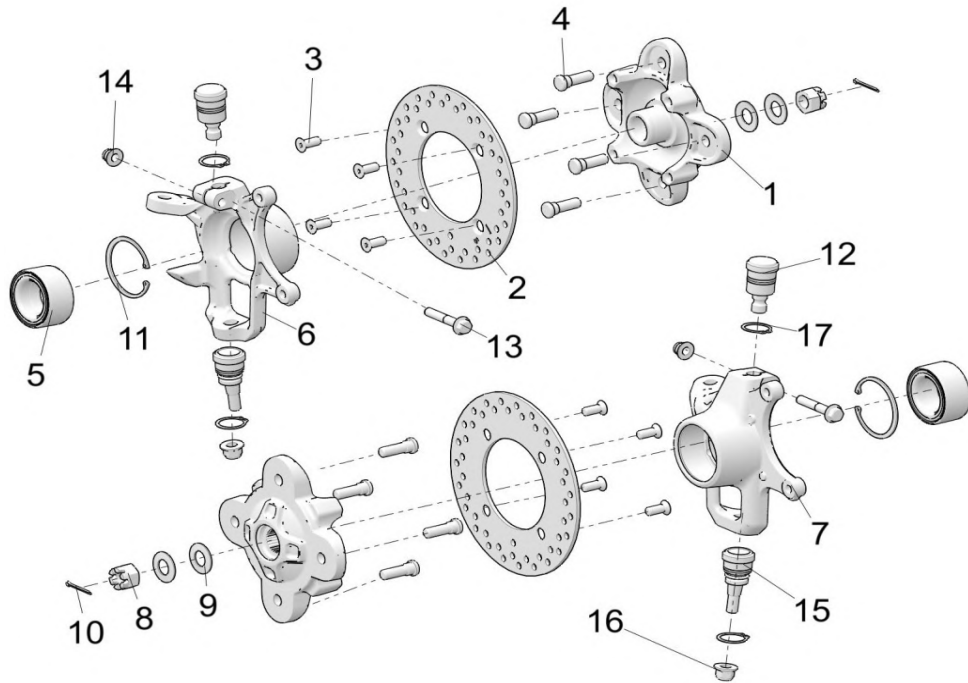
2019 RGR RANGER XP1000 EPS EU/TR/ZUG (R13) - R19RRE99F1/FC/SC1/SCC/SFC/SF1/SJ1/PCC/PFC



POS	SAP	Part Name	Qty
1	<a href="#">1001558</a>	WELD-A-ARM,FRT,LWR,LH,M.BLK [E99F1,FC][S99C1,CC,FC]	1
2	<a href="#">1001559</a>	WELD-A-ARM,FRT,LWR,RH,M.BLK [E99F1,FC][S99C1,CC,FC]	1
3	<a href="#">1003526</a>	ASM-PIVOT CAP,SEALED,M10	16
4	<a href="#">1011216</a>	SHAFT-PIVOT,SHORT,M10	8
5	<a href="#">1011925</a>	BUSHING-STANDARD,SUSP,M10	16
6	<a href="#">1014442</a>	SCR-HXFL-M10X1.25X95 10.9 ZOD	8
7	<a href="#">1014500</a>	NUT-M10X1.25,FLG,NYLOC-OLIVE D	8
8	<a href="#">1014520</a>	WASHER-3/8 FW SAE STL THRU-HRD	4
9	<a href="#">1001539</a>	WELD-A-ARM,FR,UPR,LH,BL [E99F1,FC][S99C1,CC,FC]	1
10	<a href="#">1001540</a>	WELD-A-ARM,FR,UPR,RH,BL [E99F1,FC][S99C1,CC,FC]	1
11	<a href="#">1011831</a>	SHIELD-CV,FRONT,LH,BLK	1
12	<a href="#">1011832</a>	SHIELD-CV,FRONT,RH,BLK	1
13	<a href="#">1014566</a>	RIVET3/16(.063-.250)ST-ST-LF-B	4

# SUSPENSION, FRONT HUB

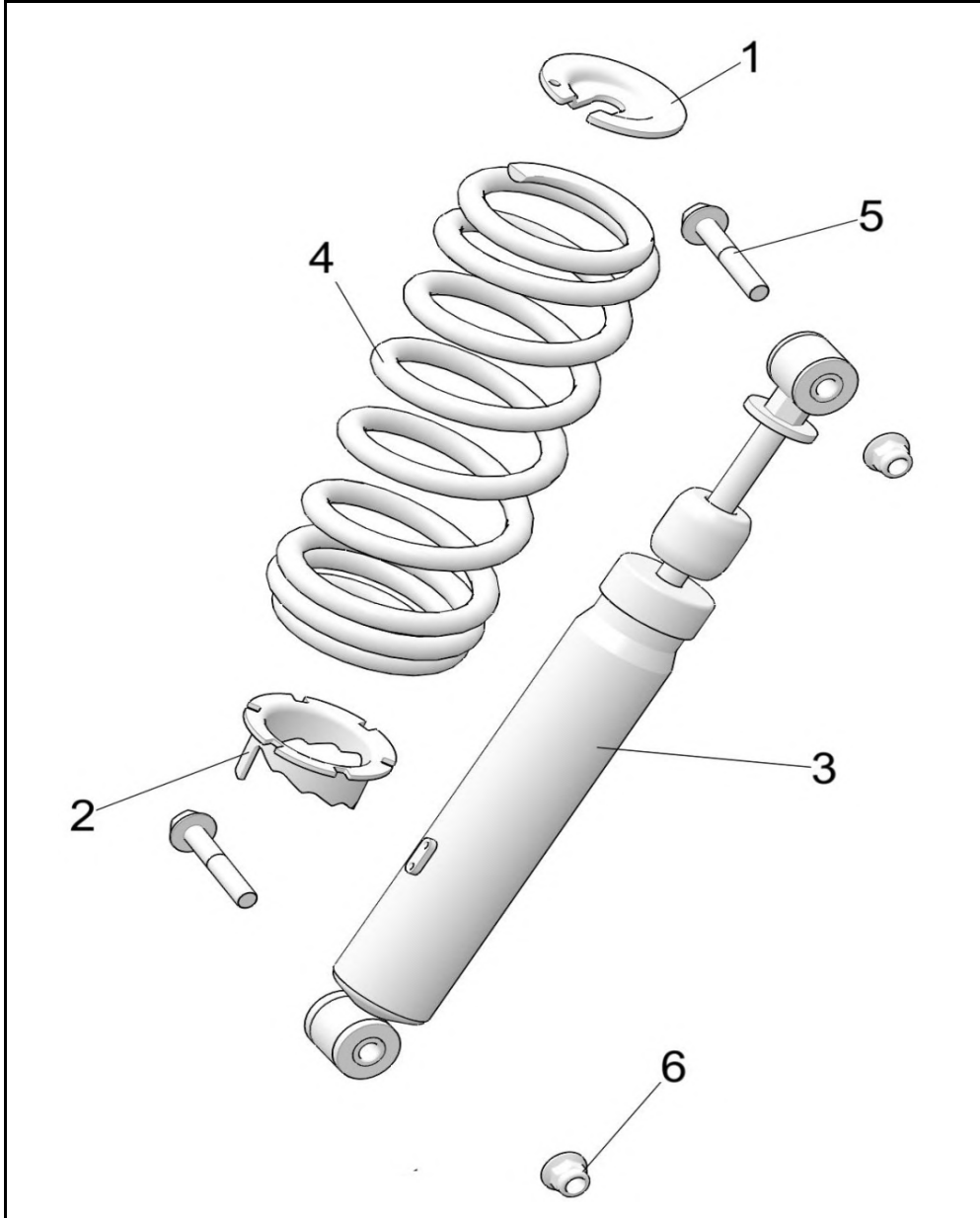
2019 RGR RANGER XP1000 EPS EU/TR/ZUG (R13) - R19RRE99F1/FC/SC1/SCC/SFC/SF1/SJ1/PCC/PFC



POS	SAP	Part Name	Qty
1	<a href="#">1011263</a>	HUB-WHEEL,FRONT MACH,BLK	2
2	<a href="#">1011519</a>	ROTOR,BRAKE	2
3	<a href="#">1014439</a>	SCR-M10X1.5X20 8.8 TXCS FL ZOD	8
4	<a href="#">1014462</a>	STUD-WHEEL,M12-1.5	8
5	<a href="#">1008460</a>	BEARING-BALL,SEALED,44X72X33.1 (HEAVY DUTY)	2
6	<a href="#">1011269</a>	KNUCKLE-FRONT,LH	1
7	<a href="#">1011270</a>	KNUCKLE-FRONT,RH	1
8	<a href="#">1014502</a>	NUT-M18X1.5,CASTLE,ZINC/YELLOW	2
9	<a href="#">1014515</a>	WASHER-CONE.755X1.5X.072-.107P	4
10	<a href="#">1014587</a>	PIN-COTTER 1/8X1 1/2-Y	2
11	<a href="#">1014626</a>	RING-RETAINING,2.835,INTERNAL	2
12	<a href="#">1014076</a>	BALL-JOINT,10MM STUD [TO 4/17/2019]	2
12	<a href="#">1014087</a>	BALL-JOINT,10MM STUD [FROM 4/178/2019]	2
13	<a href="#">1014454</a>	SCR-HXFL-M10X1.25X60 10.9 ZOD	2
14	<a href="#">1014500</a>	NUT-M10X1.25,FLG,NYLOC-OLIVE D	2
15	<a href="#">1014088</a>	BALL-JOINT,M12X1.50,TAPERED [FROM 9/2/2019]	2
15	<a href="#">1014048</a>	BALL-JOINT,M12X1.50,TAPERED [TO 9/2/2019]	2
16	<a href="#">1014501</a>	NUT-M12X1.5,FLG,NYLOC-OLIVE D	2
17	<a href="#">1014623</a>	RING-RETAINER,EXTERNAL,1.188	4

# SUSPENSION, FRONT SHOCK MOUNTING

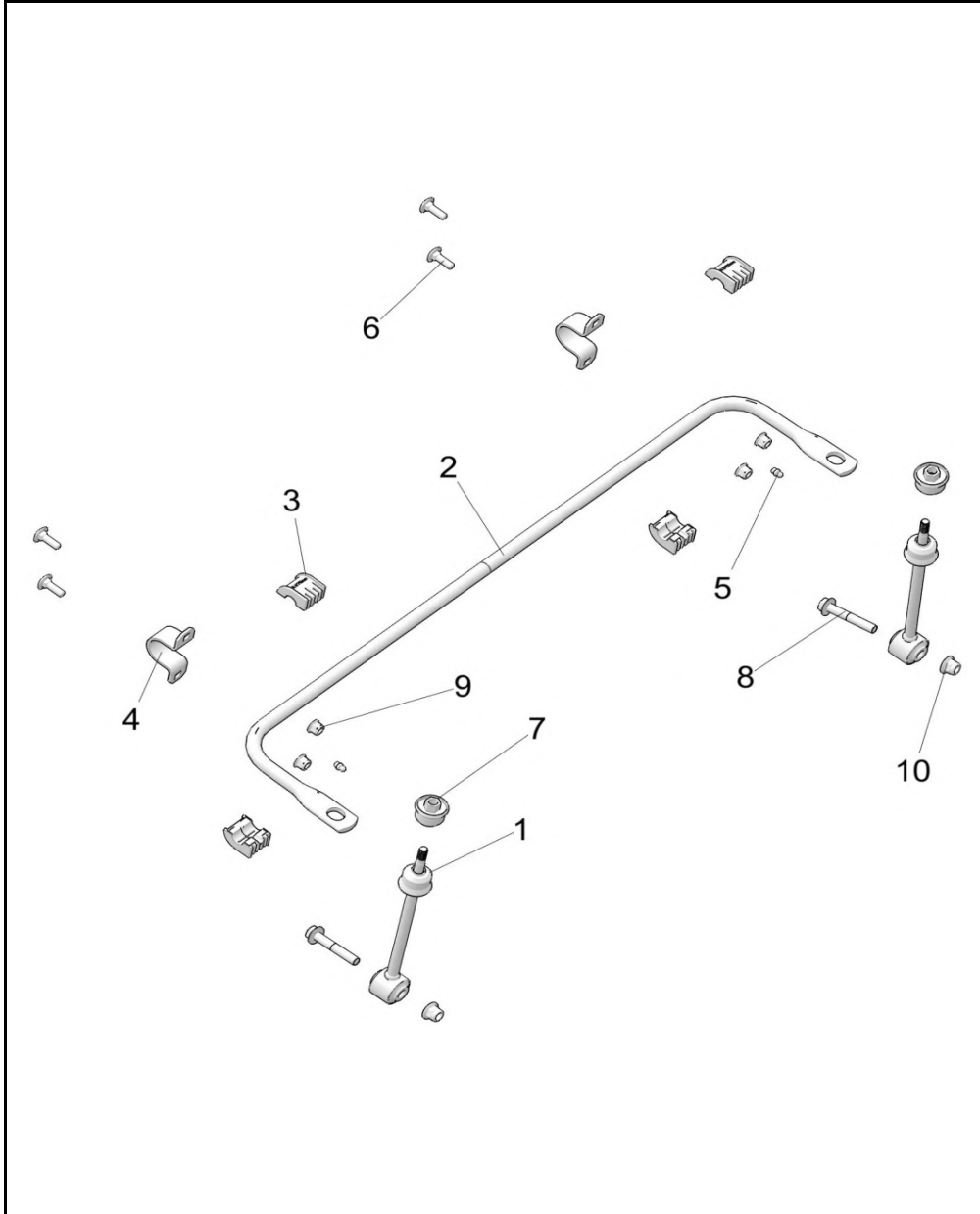
2019 RGR RANGER XP1000 EPS EU/TR/ZUG (R13) - R19RRE99F1/FC/SC1/SCC/SFC/SF1/SJ1/PCC/PFC



POS	SAP	Part Name	Qty
1	<a href="#">1038646</a>	RETAINER-SPRING,STEEL	2
2	<a href="#">1038647</a>	CAM-ADJUSTING,SPRING,STEEL	2
3	<a href="#">1014021</a>	SHOCK-FRONT [TO 4/29/20 FOR P99CC,FC]	2
3	<a href="#">1046984</a>	SHOCK-FRONT [FRM 4/29/20 FOR P99CC,FC]	2
4	<a href="#">1046985</a>	SPR-200-225#,BLACK [E99F1][S99C1,F1][TO 11/12/2018]	2
4	<a href="#">1046986</a>	SPR-200-225#,C.SILVER [E99FC][S99CC,FC][TO 11/12/2018]	2
4	<a href="#">1038645</a>	SPR-200-225#,BLACK [E99F1][S99C1,F1,J1][FROM 11/12/2018]	2
4	<a href="#">1046987</a>	SPR-200-225#,C.SILVER [E99FC][S99CC,FC][P99CC,FC][FROM 11/12/2018]	2
5	<a href="#">1014454</a>	SCR-HXFL-M10X1.25X60 10.9 ZOD	4
6	<a href="#">1014500</a>	NUT-M10X1.25,FLG,NYLOC-OLIVE D	4

# SUSPENSION, FRONT STABILIZER BAR

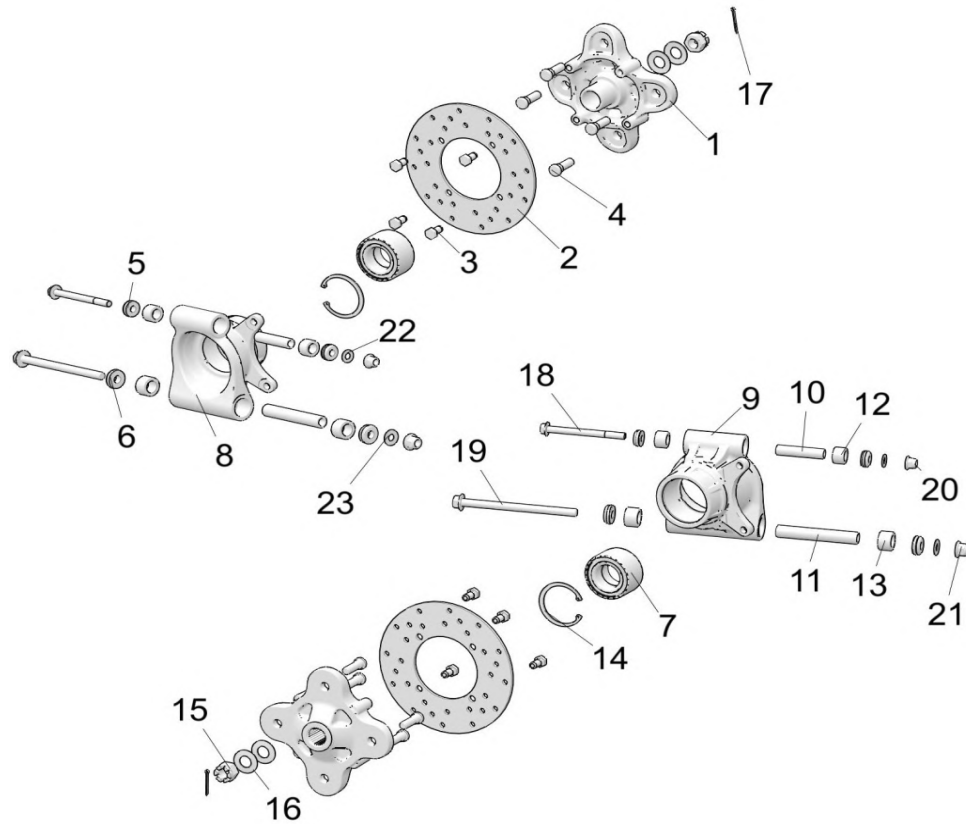
2019 RGR RANGER XP1000 EPS EU/TR/ZUG (R13) - R19RRE99F1/FC/SC1/SCC/SFC/SF1/SJ1/PCC/PFC



POS	SAP	Part Name	Qty
1	<a href="#">1011259</a>	LINKAGE-BAR,TORSION	2
2	<a href="#">1011692</a>	BAR-STABILZER,FRONT,M.BLK	1
3	<a href="#">1011931</a>	BUSHING-STABILIZER	4
4	<a href="#">1011484</a>	BRACKET-BUSHING	2
5	<a href="#">1014056</a>	FITTING-LUB,1/4-28-STR/1792-Y	2
6	<a href="#">1014486</a>	SCR-RHCAR-M8X1.25X25 10.9 ZB3	4
7	<a href="#">1011813</a>	BUSHING-LNKG TORBAR,DURO80	2
8	<a href="#">1014454</a>	SCR-HXFL-M10X1.25X60 10.9 ZOD	2
9	<a href="#">1014499</a>	NUT- M8X1.25, FLG, NYLOC-OLIVE D	4
10	<a href="#">1014500</a>	NUT-M10X1.25,FLG,NYLOC-OLIVE D	2

# SUSPENSION, REAR CARRIER

2019 RGR RANGER XP1000 EPS EU/TR/ZUG (R13) - R19RRE99F1/FC/SC1/SCC/SFC/SF1/SJ1/PCC/PFC

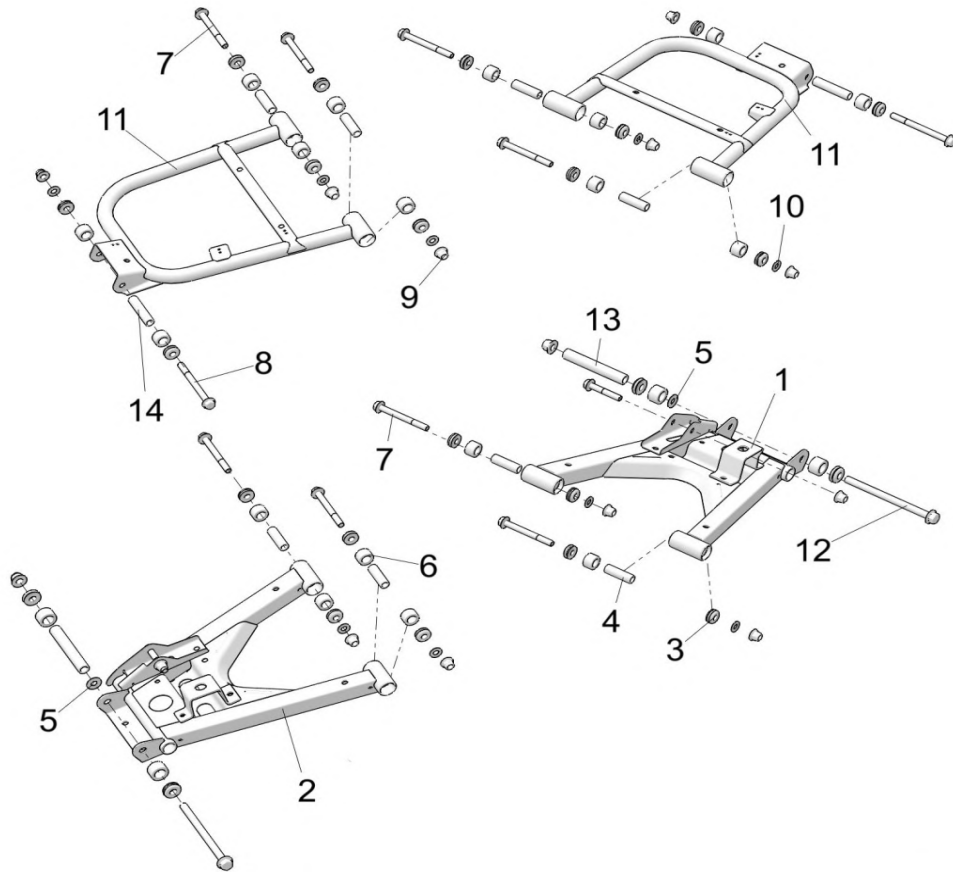


POS	SAP	Part Name	Qty
1	<a href="#">1011192</a>	HUB-WHEEL,REAR,MACH,BLK	1
2	<a href="#">1011478</a>	DISC-BRAKE,REAR,8.625X.188	1
3	<a href="#">1014455</a>	SCR-M10X1.5X20,8.8 ZY3	4
4	<a href="#">1014462</a>	STUD-WHEEL,M12-1.5	4
5	<a href="#">1003526</a>	ASM-PIVOT CAP,SEALED,M10	2
6	<a href="#">1003527</a>	ASM-PIVOT CAP,SEALED,M12	2
7	<a href="#">1008459</a>	BEARING-WHEEL,40X74X40MM (HEAVY DUTY)	1
8	<a href="#">1011257</a>	CARRIER-BEARING,LH	1
9	<a href="#">1011258</a>	CARRIER-BEARING,RH	1
10	<a href="#">1011218</a>	SHAFT-PIVOT,SHORT,M10	2
11	<a href="#">1011219</a>	SHAFT-PIVOT,LONG,M12	2
12	<a href="#">1011925</a>	BUSHING-STANDARD,SUSP,M10	4
13	<a href="#">1011926</a>	BUSHING-STANDARD,SUSP,M12	4
14	<a href="#">1014620</a>	RING-RETAINING,2.875,INTERNAL	2
15	<a href="#">1014502</a>	NUT-M18X1.5,CASTLE,ZINC/YELLOW	2
16	<a href="#">1014515</a>	WASHER-CONE.755X1.5X.072-.107P	4
17	<a href="#">1014587</a>	PIN-COTTER 1/8X1 1/2-Y	2
18	<a href="#">1014458</a>	SCR-HXFL-M10X1.25X115 10.9 ZOD	2
19	<a href="#">1014485</a>	SCR-HXFL-M12X1.5X170 10.9 ZOD	2
20	<a href="#">1014500</a>	NUT-M10X1.25,FLG,NYLOC-OLIVE D	2
21	<a href="#">1014501</a>	NUT-M12X1.5,FLG,NYLOC-OLIVE D	2
22	<a href="#">1014520</a>	WASHER-3/8 FW SAE STL THRU-HRD	2
23	<a href="#">1014521</a>	WASHER-7/16 SAE,STF,THRU-HRD-Y	2



## SUSPENSION, REAR CONTROL ARMS

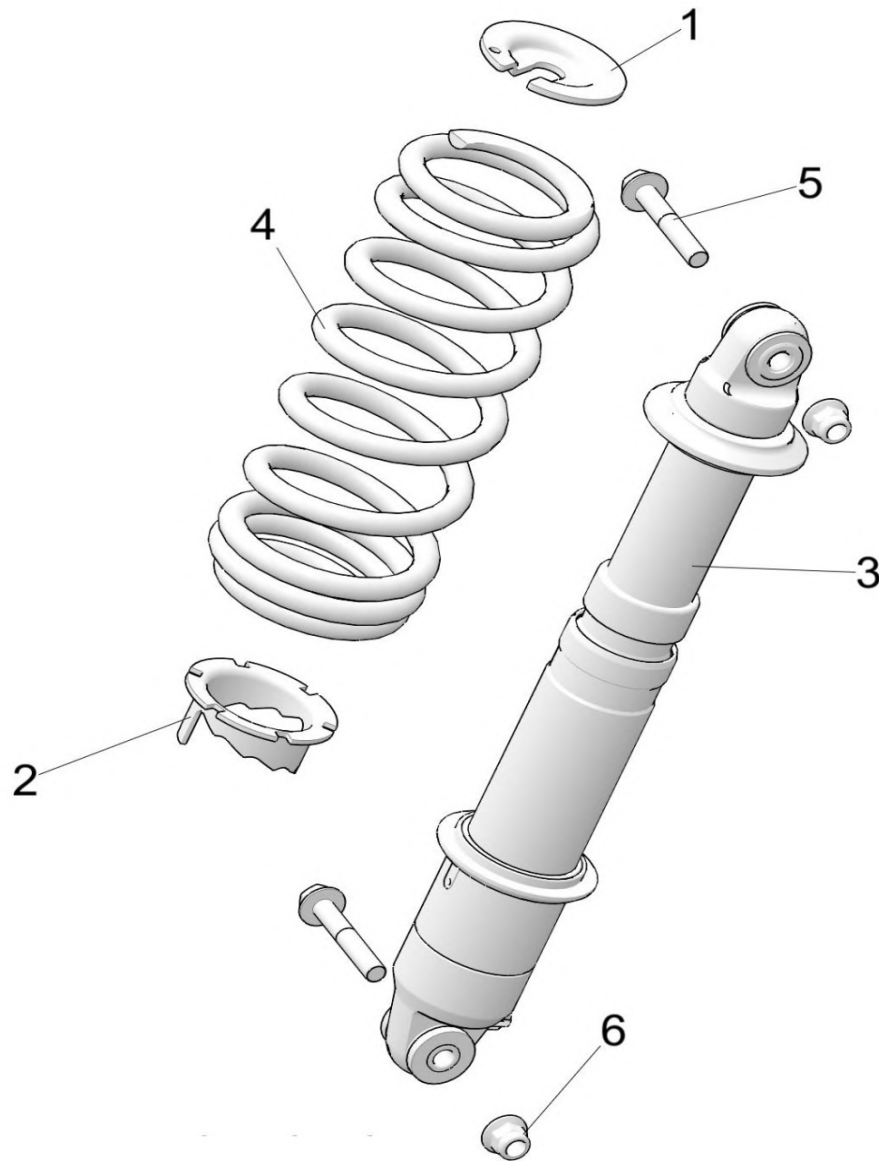
2019 RGR RANGER XP1000 EPS EU/TR/ZUG (R13) - R19RRE99F1/FC/SC1/SCC/SFC/SF1/SJ1/PCC/PFC



POS	SAP	Part Name	Qty
1	<a href="#">1001537</a>	WELD-CONTROL ARM,RR,LWR,LH,BLK	1
2	<a href="#">1001538</a>	WELD-CONTROL ARM,RR,LWR,RH,BLK	1
3	<a href="#">1003526</a>	ASM-PIVOT CAP,SEALED,M10	12
4	<a href="#">1011216</a>	SHAFT-PIVOT,SHORT,M10	8
5	<a href="#">1014521</a>	WASHER-7/16 SAE,STF,THRU-HRD-Y	2
6	<a href="#">1011925</a>	BUSHING-STANDARD,SUSP,M10	16
7	<a href="#">1014442</a>	SCR-HXFL-M10X1.25X95 10.9 ZOD	8
8	<a href="#">1014458</a>	SCR-HXFL-M10X1.25X115 10.9 ZOD	2
9	<a href="#">1014500</a>	NUT-M10X1.25,FLG,NYLOC-OLIVE D	AR
10	<a href="#">1014520</a>	WASHER-3/8 FW SAE STL THRU-HRD	10
11	<a href="#">1001535</a>	WELD-CONTROL ARM,RR,UPR,LH,BLK	1
11	<a href="#">1001536</a>	WELD-CONTROL ARM,RR,UPR,RH,BLK	1
12	<a href="#">1014485</a>	SCR-HXFL-M12X1.5X170 10.9 ZOD	2
13	<a href="#">1011219</a>	SHAFT-PIVOT,LONG,M12	1
14	<a href="#">1011218</a>	SHAFT-PIVOT,SHORT,M10	1

## SUSPENSION, REAR SHOCK MOUNTING

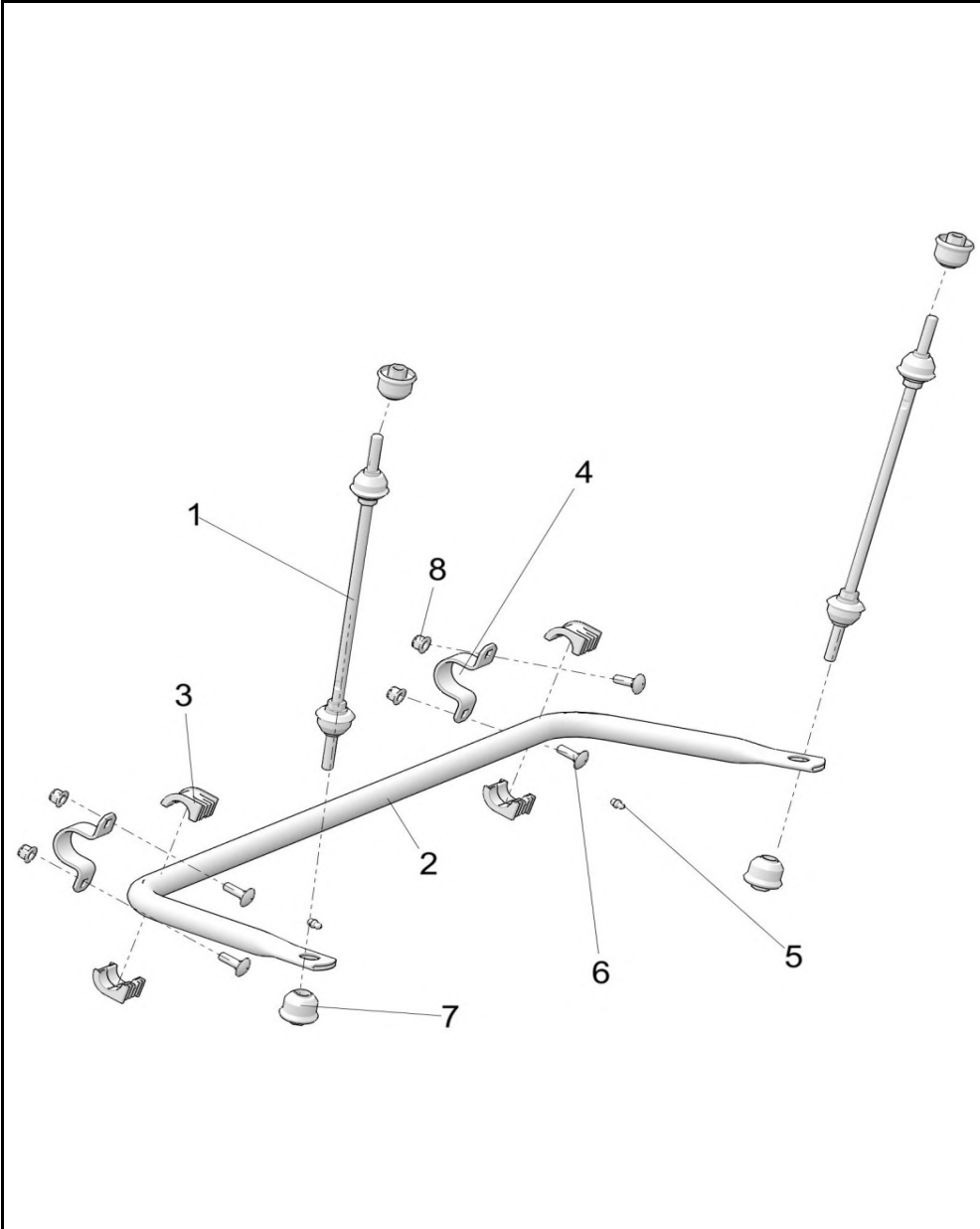
2019 RGR RANGER XP1000 EPS EU/TR/ZUG (R13) - R19RRE99F1/FC/SC1/SCC/SFC/SF1/SJ1/PCC/PFC



POS	SAP	Part Name	Qty
1	<a href="#">1038646</a>	RETAINER-SPRING,STEEL	2
2	<a href="#">1038647</a>	CAM-ADJUSTING,SPRING,STEEL	2
3	<a href="#">1014020</a>	SHOCK-REAR	2
4	<a href="#">1046988</a>	SPR-240#,15.3FL,2.0-2.0ID,BLK [E99F1][S99C1,F1,J1] [TO 11/12/2018][FROM 5/29/2019]	2
4	<a href="#">1046989</a>	SPR-240#,15.3FL,2.0-2.0ID,CSLV [E99FC][S99CC,FC] [TO 11/12/2018][P99CC,FC FROM 4/23/2019]	2
4	<a href="#">1046990</a>	SPR-240#,15.3FL,2.0-2.0ID,BLK [E99F1][S99C1,F1,J1] [FROM 11/12/2018][TO 5/29//2019]	2
4	<a href="#">1046991</a>	SPR-240#,15.3FL,2.0-2.0ID,CSLV [E99FC][S99CC,FC][P99CC,FC] [FROM 11/12/2018][TO 4/23/2019]	2
5	<a href="#">1014454</a>	SCR-HXFL-M10X1.25X60 10.9 ZOD	4
6	<a href="#">1014500</a>	NUT-M10X1.25,FLG,NYLOC-OLIVE D	4

# SUSPENSION, REAR STABILIZER BAR

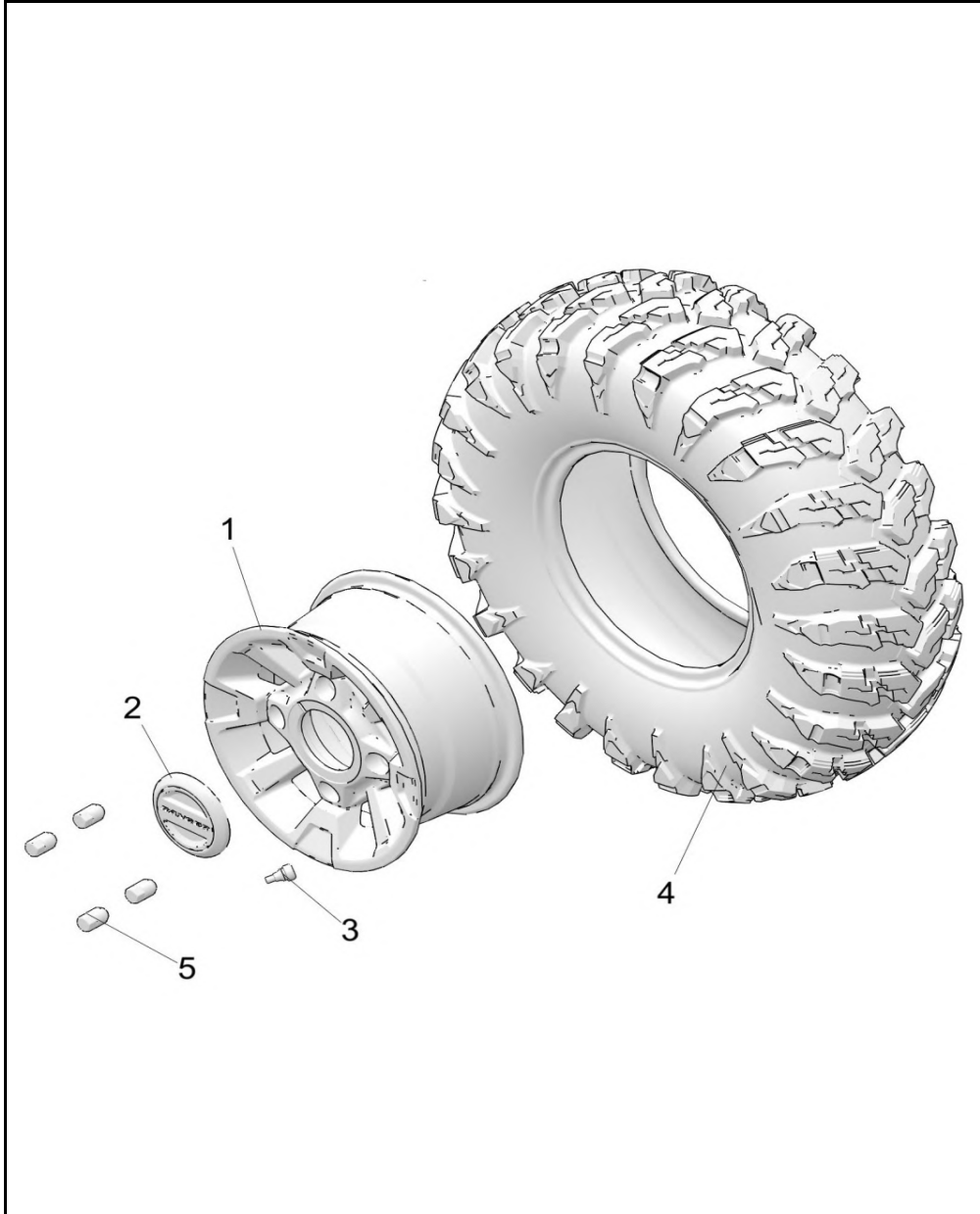
2019 RGR RANGER XP1000 EPS EU/TR/ZUG (R13) - R19RRE99F1/FC/SC1/SCC/SFC/SF1/SJ1/PCC/PFC



POS	SAP	Part Name	Qty
1	<a href="#">1003463</a>	WELD-RIM,FRONT,12X6,10GA,BLK [E99F1][S99C1,F1,J1]	2
1	<a href="#">1003483</a>	RIM-FR,12X6,MACH,26.2OFST,BLK [E99FC][S99CC,FC][P99CC,FC]	2
2	<a href="#">1011793</a>	HUB-DUST COVER,INTERNAL LIP [E99F1][S99C1,F1,J1]	2
2	<a href="#">1003485</a>	ASM-CAP,RIM [E99FC][S99CC,FC][P99CC,FC]	2
3	<a href="#">1003489</a>	VALVE, RIM	2
4	<a href="#">1046992</a>	TIRE-FR,26X9R12,PXT,E-MARK [S99C1]	2
4	<a href="#">1046993</a>	TIRE-FR,27X9.00-12,MU51,EM [E99F1,FC][S99CC,FC,F1][P99CC,FC]	2
5	<a href="#">1014505</a>	NUT-WHEEL,M12X1.5,TAPERED [E99FC][S99CC,FC][P99CC,FC]	8
5	<a href="#">1046997</a>	NUT-WHEEL,M12X1.5,TAPERED [E99F1][S99C1,F1,J1]	

# WHEELS, FRONT

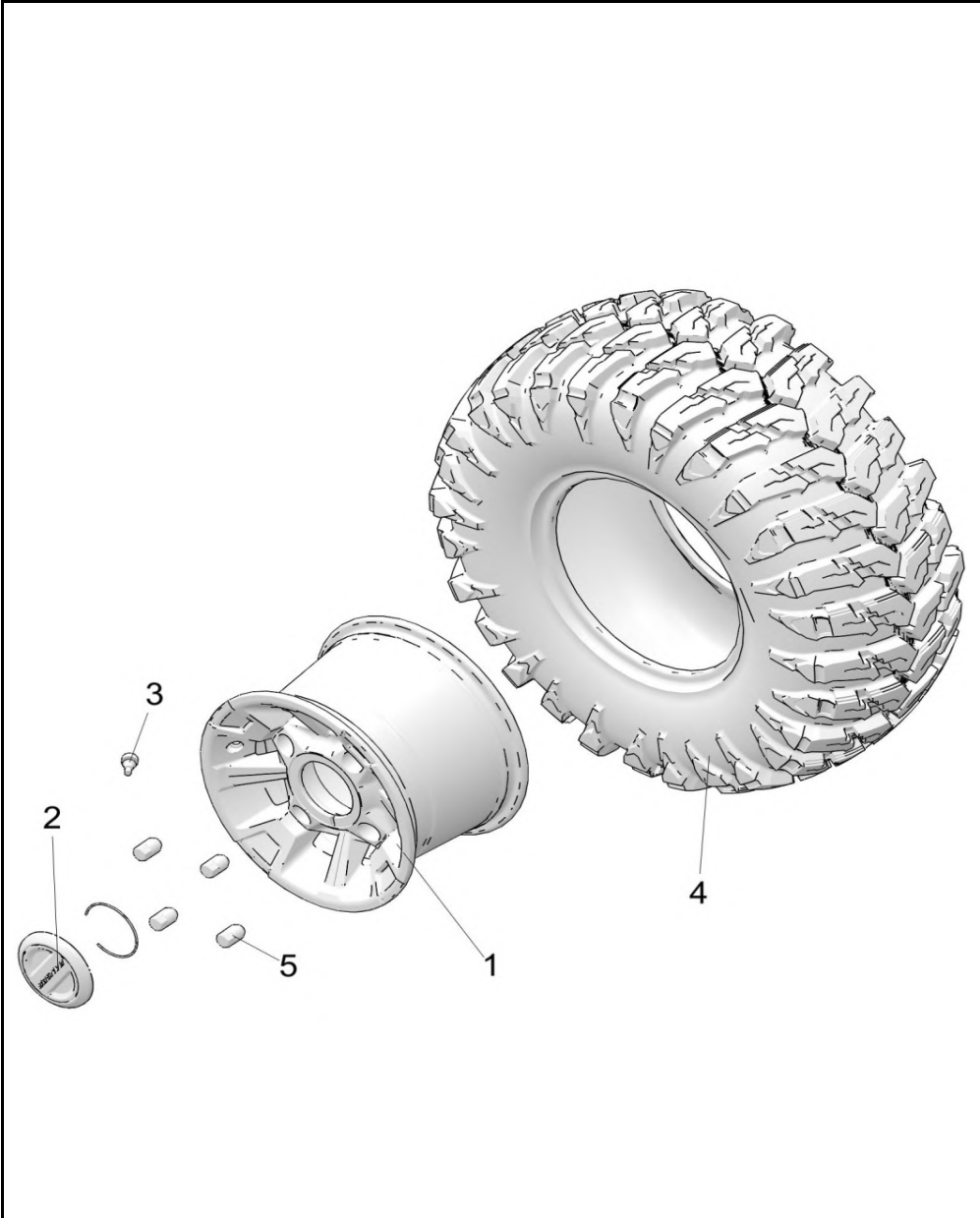
2019 RGR RANGER XP1000 EPS EU/TR/ZUG (R13) - R19RRE99F1/FC/SC1/SCC/SFC/SF1/SJ1/PCC/PFC



POS	SAP	Part Name	Qty
1	<a href="#">1003531</a>	ASM-LINKAGE,STABILIZER BAR	2
2	<a href="#">1011694</a>	TUBE-STABILIZER,M.BLK	1
3	<a href="#">1011865</a>	BUSHING-UPPER STEERING,1 IN	4
4	<a href="#">1011484</a>	BRACKET-BUSHING	2
5	<a href="#">1014056</a>	FITTING-LUB,1/4-28-STR/1792-Y	2
6	<a href="#">1014486</a>	SCR-RHCAR-M8X1.25X25 10.9 ZB3	4
7	<a href="#">1011813</a>	BUSHING-LNKG TORBAR,DURO80	4
8	<a href="#">1014499</a>	NUT- M8X1.25, FLG, NYLOC-OLIVE D	4

# WHEELS, REAR

2019 RGR RANGER XP1000 EPS EU/TR/ZUG (R13) - R19RRE99F1/FC/SC1/SCC/SFC/SF1/SJ1/PCC/PFC



POS	SAP	Part Name	Qty
1	<a href="#">1003462</a>	WELD-RIM,REAR,12X8,10GA,BLK [E99F1][S99C1,F1,J1]	2
1	<a href="#">1003484</a>	RIM-REAR,12X8,AL,31MM OFST,BLK [E99FC][S99CC,FC][P99CC,FC]	2
2	<a href="#">1011798</a>	CAP-HUB,DUST [E99F1][S99C1,F1,J1]	2
2	<a href="#">1003485</a>	ASM-CAP,RIM [E99FC][S99CC,FC][P99CC,FC]	2
3	<a href="#">1003489</a>	VALVE, RIM	2
4	<a href="#">1046995</a>	TIRE-RR,26X11R12,PXT,E-MARK [S99C1]	2
4	<a href="#">1046996</a>	TIRE-RR,27X11.00-12,MU52,EM [E99F1,FC][S99CC,FC,F1][P99CC,FC]	2
5	<a href="#">1014505</a>	NUT-WHEEL,M12X1.5,TAPERED [E99FC][S99CC,FC][P99CC,FC]	8
5	<a href="#">1046997</a>	NUT-WHEEL,M12X1.5,TAPERED [E99F1][S99C1,F1,J1]	8

# Accessories



Polaris HD 4,500 Lb. Winch | Part # 2882714



Poly 3-Seat Sport Roof with Lock & Ride Technology, Black | Part # 2882911



Poly Front Door Set with Manual Windows, Black | Part # 2889624



Polycarbonate Full Windshield, Clear | Part # 2883278



## Accessories

