

**POLARIS**

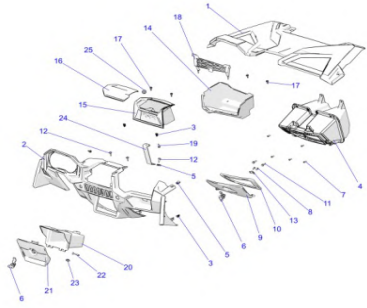
**RZR**

Parts Catalogue

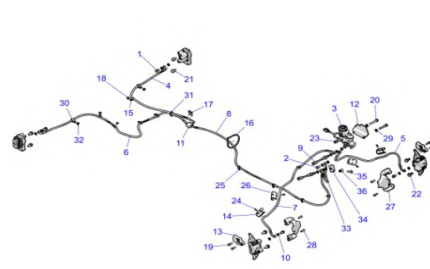


**2022 RZR TRAIL S 1000 EPS EU/TRACTOR (R02) - Z22ASE99F4/F5/S99C4/C5**

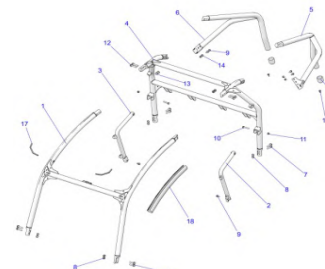
### 1 - BODY



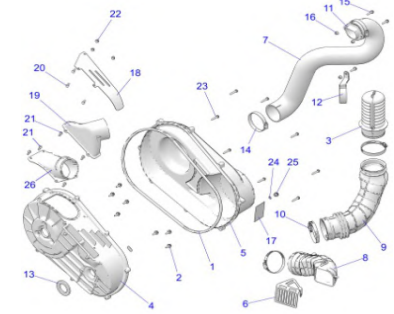
### 2 - BRAKES



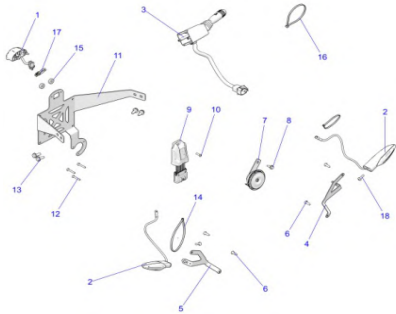
### 3 - CHASSIS



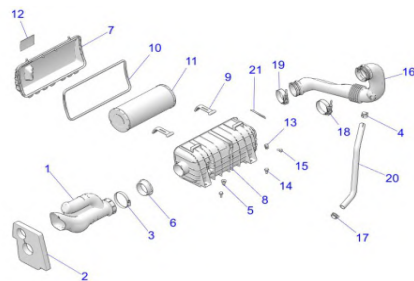
### 4 - DRIVE TRAIN



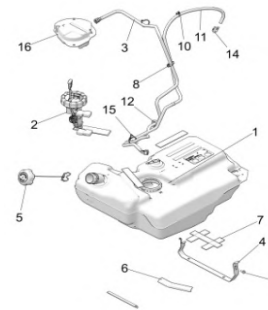
### 5 - ELECTRICAL



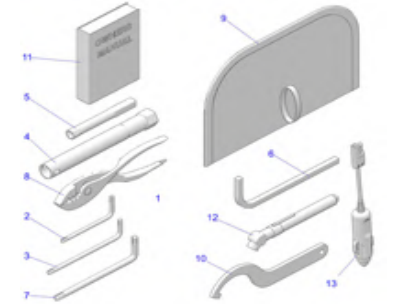
### 6 - ENGINE



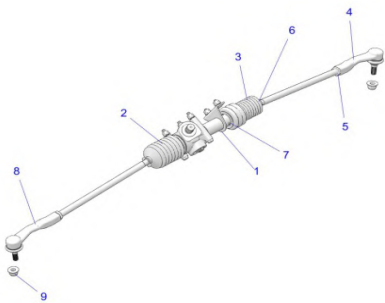
### 7 - FUEL SYSTEM



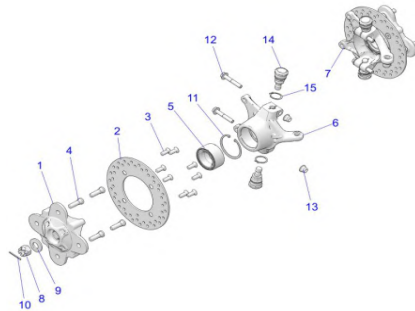
### 8 - OWNERS MANUAL



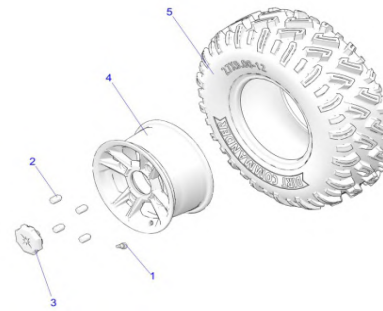
### 9 - STEERING



### 10 - SUSPENSION



### 11 - WHEELS

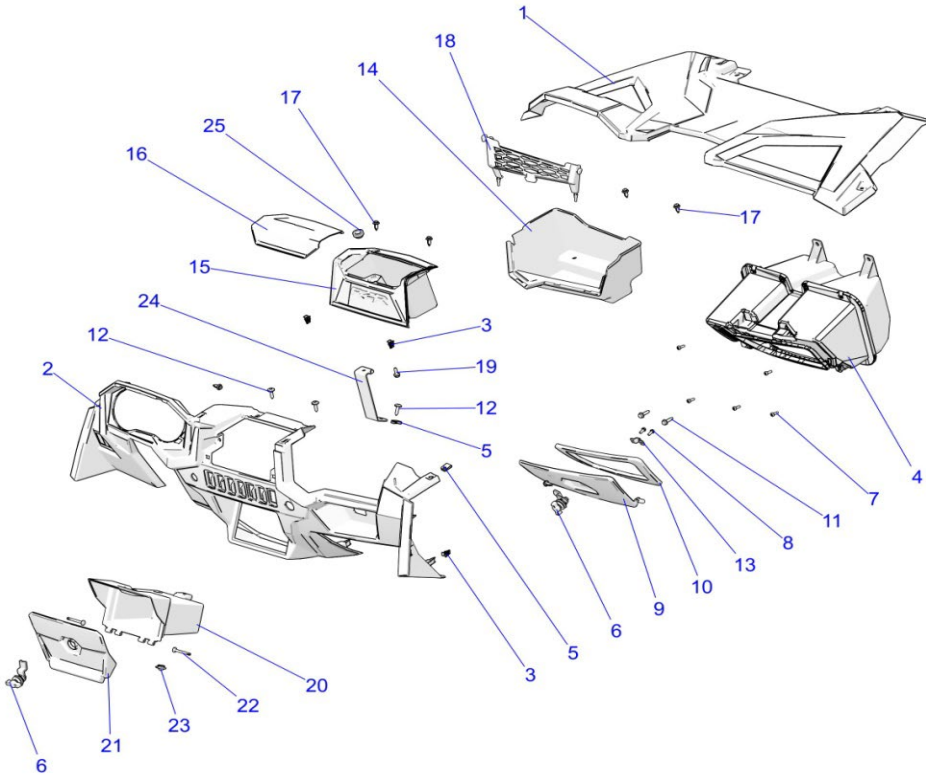


### 12 - ACCESSORIES



# BODY, DASH AND GLOVEBOX

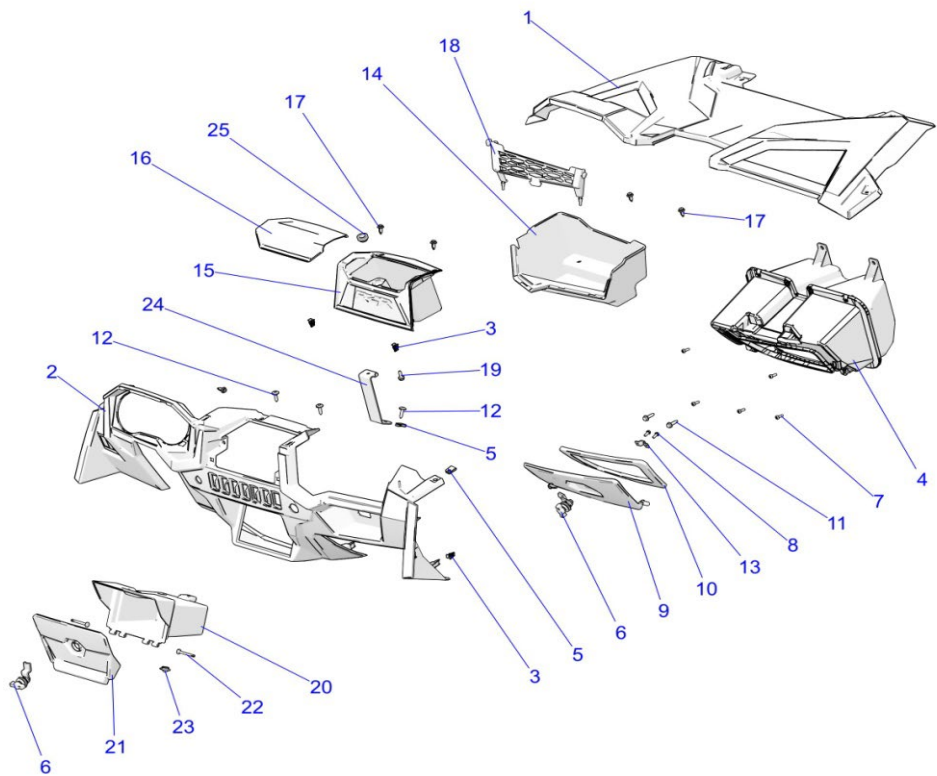
2022 RZR TRAIL S 1000 EPS EU/TRACTOR (R02) - Z22ASE99F4/F5/S99C4/C5



POS	SAP	Part Name	Qty
1	1045523	K-ASM-UPPER,IP,EU,BLK [INCL. QTY 2 OF REF. 3]	1
2	1044997	ASM-LOWER IP,CLIP,BLK [INCL QTY 6 OF REF 3 & QTY 2 OF REF 5]	1
3	1014466	CLIP, DASH, TRIM, METAL	AR
3	1014466	CLIP, DASH, TRIM, METAL	AR
4	1039391	ASM., GLOVE BOX [INCL. 4,7,8,13]	1
4	1039901	GLOVEBOX, BLACK	1
5	1014509	NUT-M6-1.0, U-TYPE (2.5-3.8)	2
5	1014509	NUT-M6-1.0, U-TYPE (2.5-3.8)	2
6	1014063	LATCH, 1/4 TURN, CAM	2
6	1014063	LATCH, 1/4 TURN, CAM	2
7	1014423	SCREW-#10X3/4-HI/LO-PN-T25,TRX-M	5
8	1039701	SCREW-WSHRPNHD,10-16,HILO	2
9	1039909	DOOR, GLOVEBOX, PNT, BLACK	1
10	1039556	SEAL, GLOVEBOX	1
11	1044268	SCR-TFHFL-M6X1.0X25,ZOD	2
12	1014459	SCR-TXTH-M6X1.0X25 ZFB	AR
12	1014459	SCR-TXTH-M6X1.0X25 ZFB	AR
13	1039525	BRACKET, GLOVEBOX, LATCH	1
14	1044993	BIN-UPPER IP,BLK	1
15	1044986	BEZEL-STORAGE,BLK	1
16	1044988	BEZEL-STORAGE,LID,BLK	1
17	1014589	RIVET-TUFLOK,.315-.325X.787	4
17	1014589	RIVET-TUFLOK,.315-.325X.787	4
18	1044994	NET,BIN-UPPER IP	1
19	1039683	SCR-M6X1.0X20, HXHD, FLG, TDFM, BK	1
20	1044989	ASM-DOUBLE DIN [INCL. 20-23]	1
20	1044992	PANEL-DOUBLE DIN,BLK	1
21	1044991	DOOR-DIN BOX,BLK	1
22	1039564	PIN-HINGE,GLOVEBOX	2

# BODY, DASH AND GLOVEBOX

2022 RZR TRAIL S 1000 EPS EU/TRACTOR (R02) - Z22ASE99F4/F5/S99C4/C5



POS	SAP	Part Name	Qty
23	<a href="#">1044990</a>	PLUG, COMPARTMENT	1
24	<a href="#">1044995</a>	BRKT-DIN MNT,ECOAT	1
25	<a href="#">1044987</a>	GROMMET-RUBBER,MOUNT,.25"	1

# BODY, DECALS

## 2022 RZR TRAIL S 1000 EPS EU/TRACTOR (R02) - Z22ASE99F4/F5/S99C4/C5

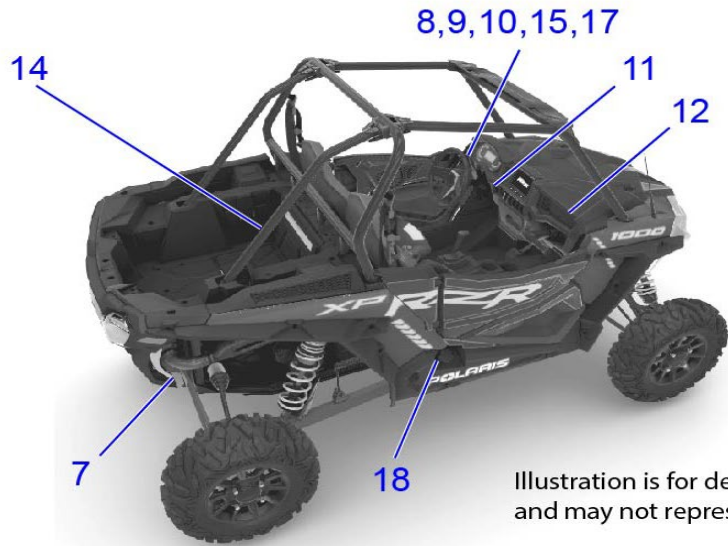
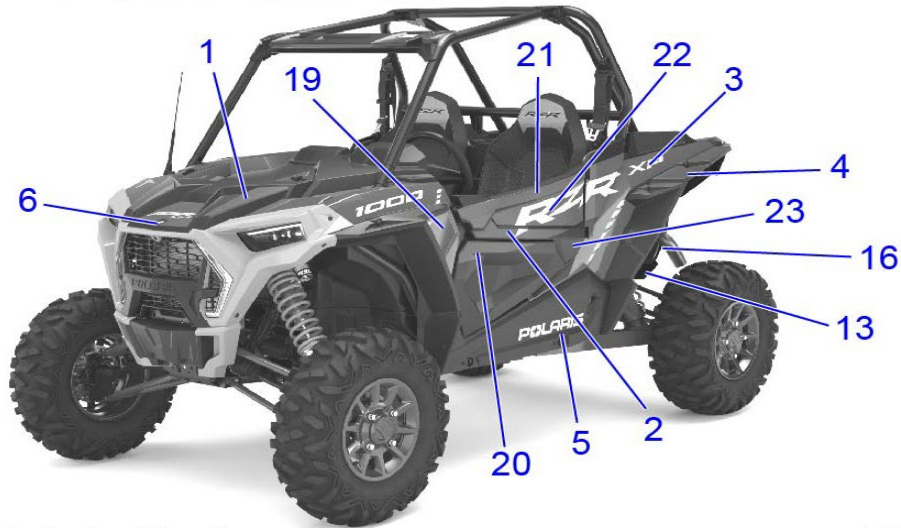


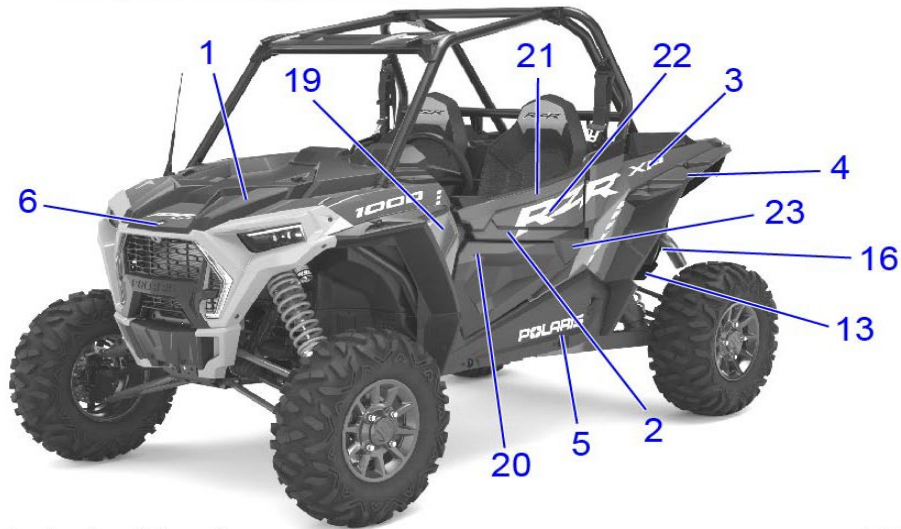
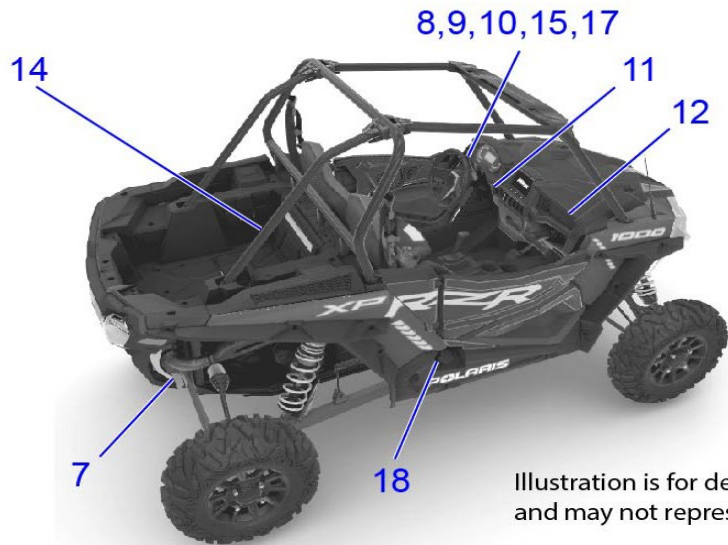
Illustration is for decal placement only and may not represent actual model.



POS	SAP	Part Name	Qty
1	1045524	DECAL-HOOD SIDE,TRAILS [C5][F5]	2
1	1045525	DECAL-HOOD SIDE,TRAILS [C4][F4]	2
2	1045526	DECAL-DOOR,RZR,LH [C5][F5]	1
2	1045527	DECAL-DOOR,MID,RZR,LH [C4][F4]	1
2	1045528	DECAL-DOOR,RZR,RH [C5][F5]	1
2	1045529	DECAL-DOOR,MID,RZR,RH [C4][F4]	1
3	1045530	DECAL-RR.FNDR,SIDE,TOP,LH [C5][F5]	1
3	1045531	DECAL-RR.FNDR,SIDE,TOP,LH [C4][F4]	1
3	1045532	DECAL-RR.FNDR,SIDE,TOP,RH [C5][F5]	1
3	1045533	DECAL-RR.FNDR,SIDE,TOP,RH [C4][F4]	1
4	1045534	DECAL-RR.FNDR,BTM,TRAILS,LH [C5][F5]	1
4	1045535	DECAL-RR.FNDR,BTM,TRAILS,LH [C4][F4]	1
4	1045536	DECAL-RR.FNDR,BTM,TRAILS,RH [C5][F5]	1
4	1045537	DECAL-RR.FNDR,BTM,TRAILS,RH [C4][F4]	1
5	1045538	DECAL-POLARIS,WHITE	2
6	1045539	BADGE-POLARIS STAR LG	1
7	1045540	DECAL-HITCH,RZR,EU [F5][F4]	1
8	1039647	DECAL, WARNING, GENERAL, TOP, EU [F5][F4]	1
8	1040105	DECAL-WARN,GENERAL, TOP, EU, TR [C5][C4]	1
9	1039648	DECAL, WARNING, GENERAL, BTM, EU	1
10	1039649	DECAL, WARNING, GENERAL, MID, EU	1
11	1040120	DECAL, IGNITION, LIGHTING	1
12	1045541	DECAL-WARN,OWNER MANUAL INFO [F5][F4]	1
13	1039644	DECAL, WARNING, CLUTCH COVER, EU	1
14	1045542	DECAL-WARN,LOAD/TIRE,RZR	1
15	1040121	DECAL-WARN,JACKING POINT [C5][C4]	1
16	1040122	DECAL-WARN,HOT SURFACE [C5][C4]	1
17	1040123	DECAL-WARN,GREASING POINT [C5][C4]	1
18	1045543	DECAL-WARN,FUEL DYR2014/94/EU [C5][C4]	1

## BODY, DECALS

2022 RZR TRAIL S 1000 EPS EU/TRACTOR (R02) - Z22ASE99F4/F5/S99C4/C5

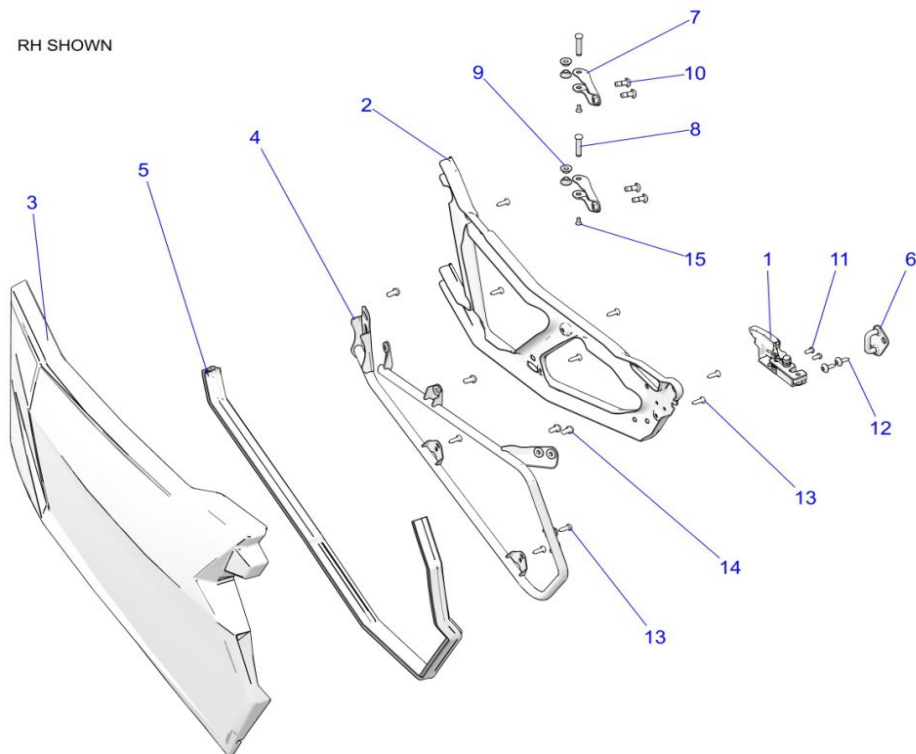


POS	SAP	Part Name	Qty
19	<a href="#">1045544</a>	DECAL-FRT.FNDR,SIDE,LWR,LH [C4][F4]	1
19	<a href="#">1045545</a>	DECAL-FRT.FNDR,SIDE,LWR,RH [C4][F4]	1
20	<a href="#">1045546</a>	DECAL-DOOR,FRONT,LH [C4][F4]	1
20	<a href="#">1045547</a>	DECAL-DOOR,FRONT,RH [C4][F4]	1
21	<a href="#">1045548</a>	DECAL-DOOR,UPR,LH [C4][F4]	1
21	<a href="#">1045549</a>	DECAL-DOOR,UPR,RH [C4][F4]	1
22	<a href="#">1045550</a>	DECAL-DOOR,RR,UPR,LH [C4][F4]	1
22	<a href="#">1045551</a>	DECAL-DOOR,RR,UPR,RH [C4][F4]	1
23	<a href="#">1045552</a>	DECAL-DOOR,RR,LWR,LH [C4][F4]	1
23	<a href="#">1045553</a>	DECAL-DOOR,RR,LWR,RH [C4][F4]	1

# BODY, DOORS

2022 RZR TRAIL S 1000 EPS EU/TRACTOR (R02) - Z22ASE99F4/F5/S99C4/C5

RH SHOWN

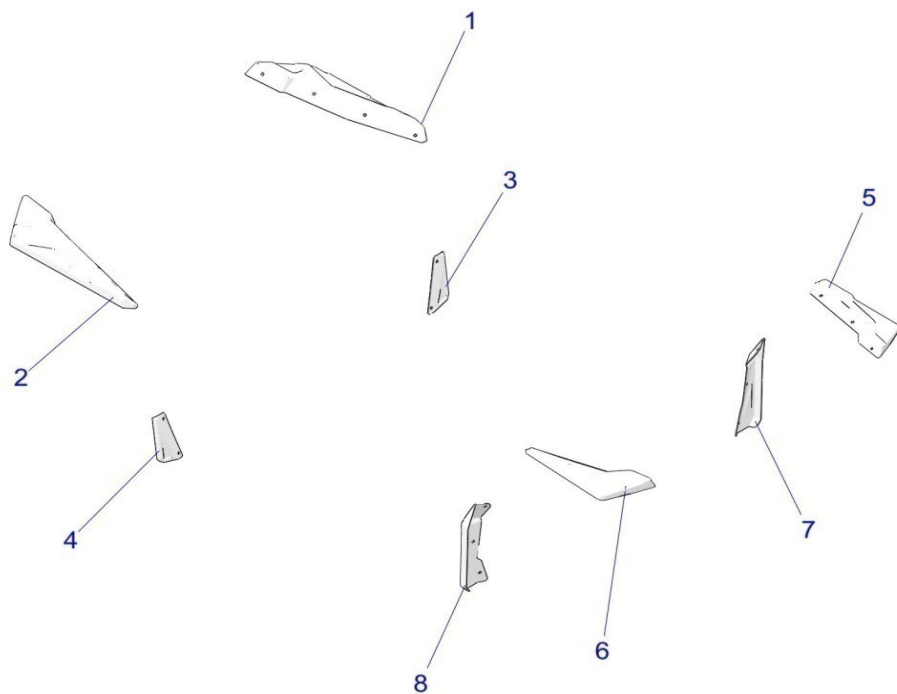


POS	SAP	Part Name	Qty
1	<a href="#">1030446</a>	ASM-LATCH,DOOR,LH	1
1	<a href="#">1033790</a>	ASM-LATCH,DOOR,RH	1
2	<a href="#">1011489</a>	STAMPING, DOOR FRAME, LH, MATTE BLACK	1
2	<a href="#">1011490</a>	STAMPING, DOOR FRAME, RH, MATTE BLACK	1
3	<a href="#">1045765</a>	DOOR SKIN,LH,NYL,PII BLU NM [C5][F5]	1
3	<a href="#">1045766</a>	DOOR SKIN,LH,NYL,GH GRY [C4][F4]	1
3	<a href="#">1045767</a>	DOOR SKIN,RH,NYL,PII BLU NM [C5][F5]	1
3	<a href="#">1045768</a>	DOOR SKIN,RH,NYL,GH GRY [C4][F4]	1
4	<a href="#">1045769</a>	WELD-MNT,DOOR,LWR,LH,60,BLK	1
4	<a href="#">1045770</a>	WELD-MNT,DOOR,LWR,RH,60,BLK	1
5	<a href="#">1045771</a>	SEAL-WTHRSTRP,1230MM	2
6	<a href="#">1001510</a>	ASM., STRIKER, LH	1
6	<a href="#">1001511</a>	ASM., STRIKER, RH	1
7	<a href="#">1011491</a>	BRACKET, DOOR, HINGE	4
8	<a href="#">1045066</a>	SCR-TXWH-M5X0.8X40 10.9 ZTB SP	4
9	<a href="#">1011897</a>	BUSHING, DOOR, PIVOT	8
10	<a href="#">1014473</a>	SCR-TXTH-M8X1.25X20 8.8 ZB3 P3	8
11	<a href="#">1014444</a>	SCREW-TXBH-M6X1.0X12 8.8 ZPB D20	4
12	<a href="#">1014447</a>	SCREW-TXTH-M6X1.0X20 T40 ZPB	4
13	<a href="#">1045772</a>	SCR-TX TRUSS-#14X3/4, HI/LO ZBK	18
13	<a href="#">1045772</a>	SCR-TX TRUSS-#14X3/4, HI/LO ZBK	18
14	<a href="#">1045071</a>	SCREW-HXBH-M8X1.25X16 10.9 ZPB	8
15	<a href="#">1045065</a>	SCREW-FLHD-M5X0.8X12 10.9 P&O	4

# BODY, FENDER FLAIR, EXTENDERS

2022 RZR TRAIL S 1000 EPS EU/TRACTOR (R02) - Z22ASE99F4/F5/S99C4/C5

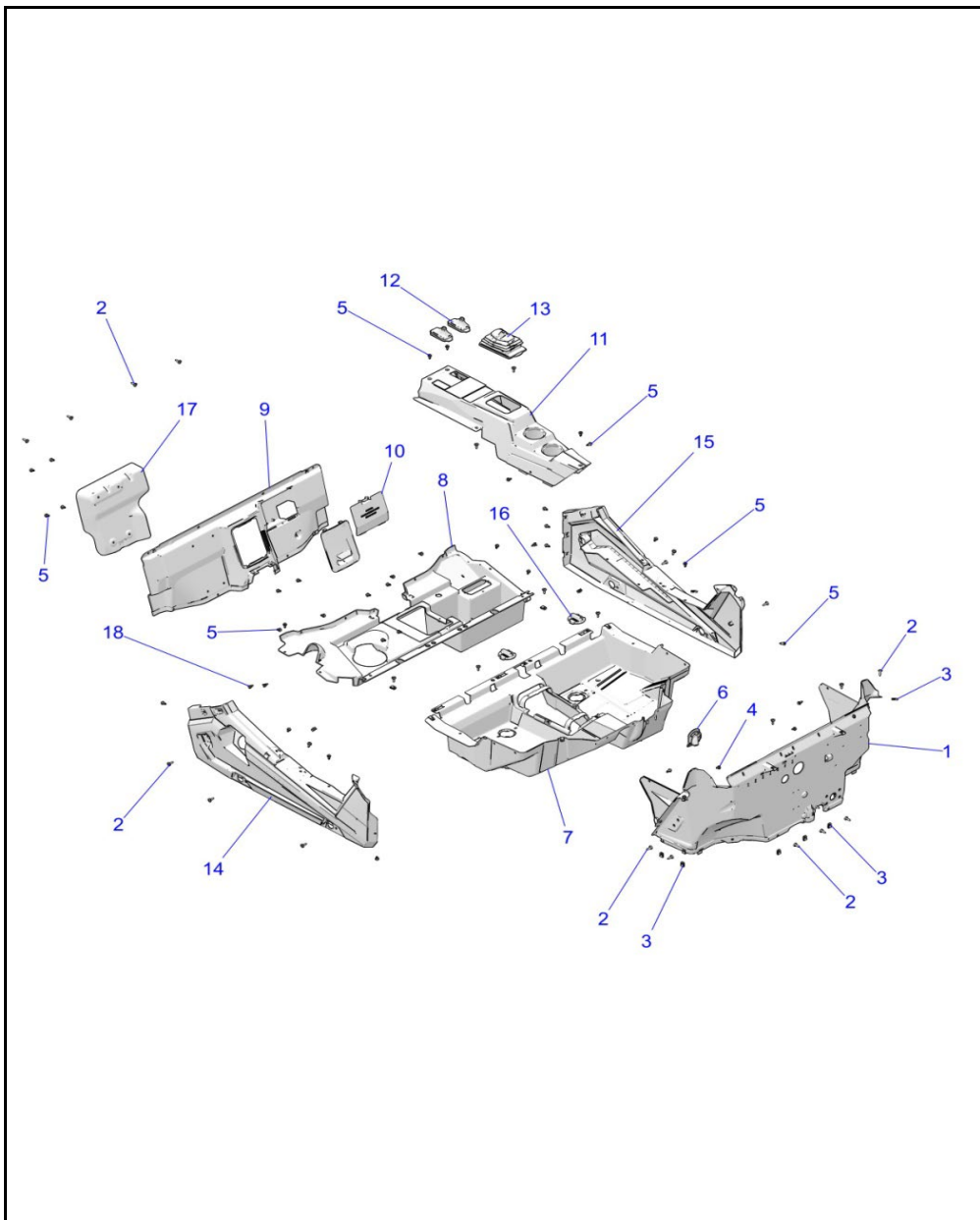
POS	SAP	Part Name	Qty
1	<a href="#">1011938</a>	FENDER-REAR FLAIR,LH,TR,BLK	1
2	<a href="#">1011939</a>	FENDER-REAR FLAIR,RH,TR,BLK	1
3	<a href="#">1011944</a>	FENDER-REAR FLAIR,LH,LWR,BLK	1
4	<a href="#">1011945</a>	FENDER-REAR FLAIR,RH,LWR,BLK	1
5	<a href="#">1045554</a>	FENDER-FRONT FLAIR,LH,TR,BLK	1
6	<a href="#">1045555</a>	FENDER-FRONT FLAIR,RH,TR,BLK	1
7	<a href="#">1011942</a>	FENDER-FRONT FLAIR,LH,LWR,BLK	1
8	<a href="#">1011943</a>	FENDER-FRONT FLAIR,RH,LWR,BLK	1





## BODY, FLOOR and ROCKER PANELS

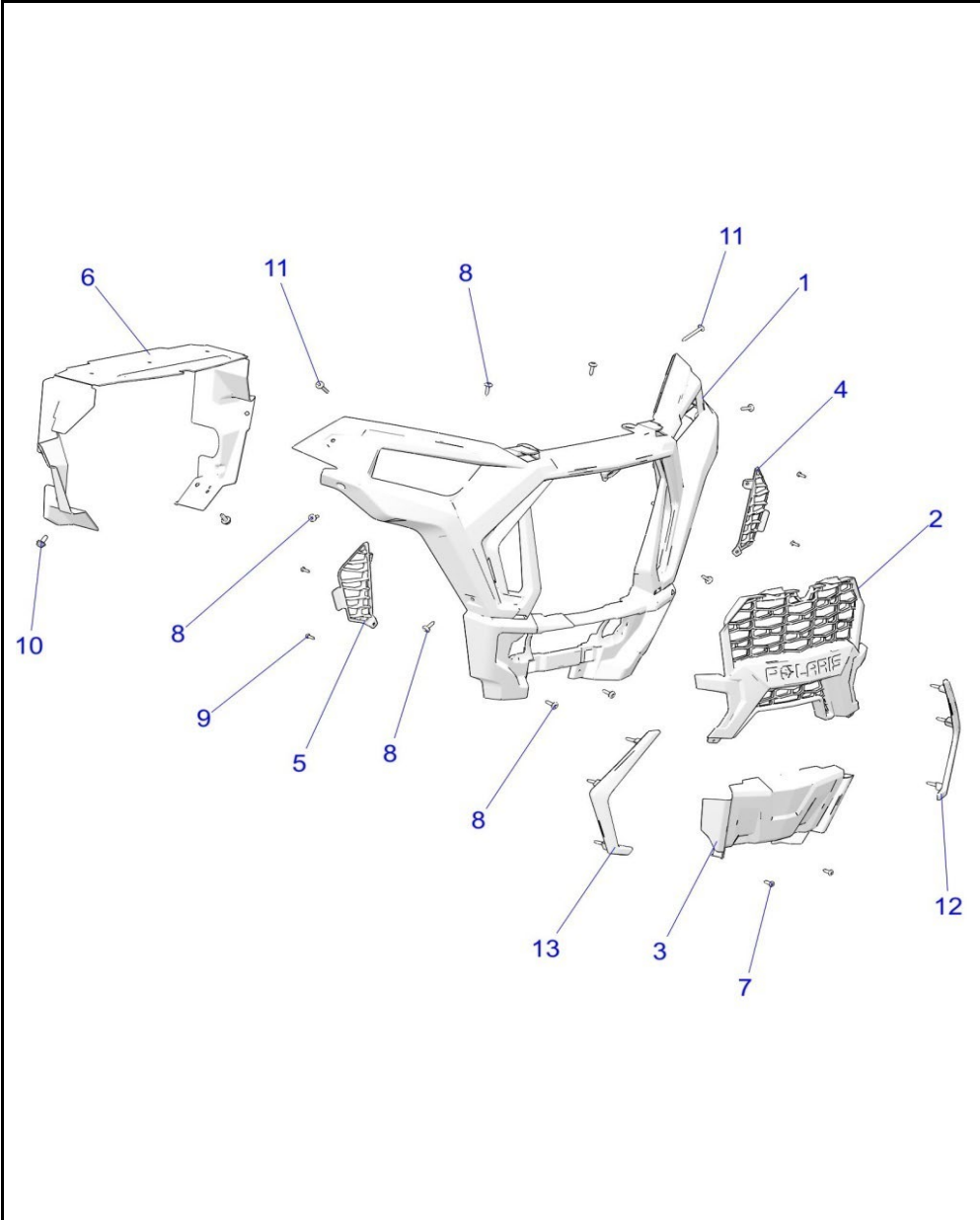
2022 RZR TRAIL S 1000 EPS EU/TRACTOR (R02) - Z22ASE99F4/F5/S99C4/C5



POS	SAP	Part Name	Qty
1	<a href="#">1045079</a>	ASM-FIREWALL,MAIN,ROUTERED,BLK [INCL. U-NUTS]	1
2	<a href="#">1014459</a>	SCR-TXTH-M6X1.0X25 ZFB	AR
2	<a href="#">1014459</a>	SCR-TXTH-M6X1.0X25 ZFB	AR
2	<a href="#">1014459</a>	SCR-TXTH-M6X1.0X25 ZFB	AR
2	<a href="#">1014459</a>	SCR-TXTH-M6X1.0X25 ZFB	AR
2	<a href="#">1014459</a>	SCR-TXTH-M6X1.0X25 ZFB	AR
3	<a href="#">1014509</a>	NUT-M6-1.0, U-TYPE (2.5-3.8)	AR
3	<a href="#">1014509</a>	NUT-M6-1.0, U-TYPE (2.5-3.8)	AR
3	<a href="#">1014509</a>	NUT-M6-1.0, U-TYPE (2.5-3.8)	AR
4	<a href="#">1039669</a>	SCR-10-24X3/4 PH/TX/TRI-SEMS Y	3
5	<a href="#">1014589</a>	RIVET-TUFLOK,.315-.325X.787	AR
5	<a href="#">1014589</a>	RIVET-TUFLOK,.315-.325X.787	AR
5	<a href="#">1014589</a>	RIVET-TUFLOK,.315-.325X.787	AR
5	<a href="#">1014589</a>	RIVET-TUFLOK,.315-.325X.787	AR
5	<a href="#">1014589</a>	RIVET-TUFLOK,.315-.325X.787	AR
5	<a href="#">1014589</a>	RIVET-TUFLOK,.315-.325X.787	AR
6	<a href="#">1039555</a>	BOOT, STEERING	1
7	<a href="#">1045080</a>	ASM-FLOOR,MAIN,BLK	1
8	<a href="#">1039899</a>	PANEL, REAR CLOSEOFF, LOWER, BLACK	1
9	<a href="#">1045556</a>	ASM-REAR CLOSEOFF,UPR,BLK [INCL. 5,18]	1
10	<a href="#">1039584</a>	COVER-ECU	1
11	<a href="#">1045557</a>	K-ASM-CONSOLE,EU,BLK	1
12	<a href="#">1040129</a>	COVER, SEAT BELT, PARK BRAKE, EPDM	2
13	<a href="#">1011811</a>	BOOT, SHIFTER	1
14	<a href="#">1011916</a>	ROCKER, RH, BLACK	1
15	<a href="#">1011915</a>	ROCKER, LH, BLACK	1
16	<a href="#">1011806</a>	PLUG, DRAIN, FLOOR	2
17	<a href="#">1040130</a>	SHIELD-FOIL, FRONT PANEL	1
18	<a href="#">1014466</a>	CLIP, DASH, TRIM, METAL	AR

# BODY, FRONT BUMPER

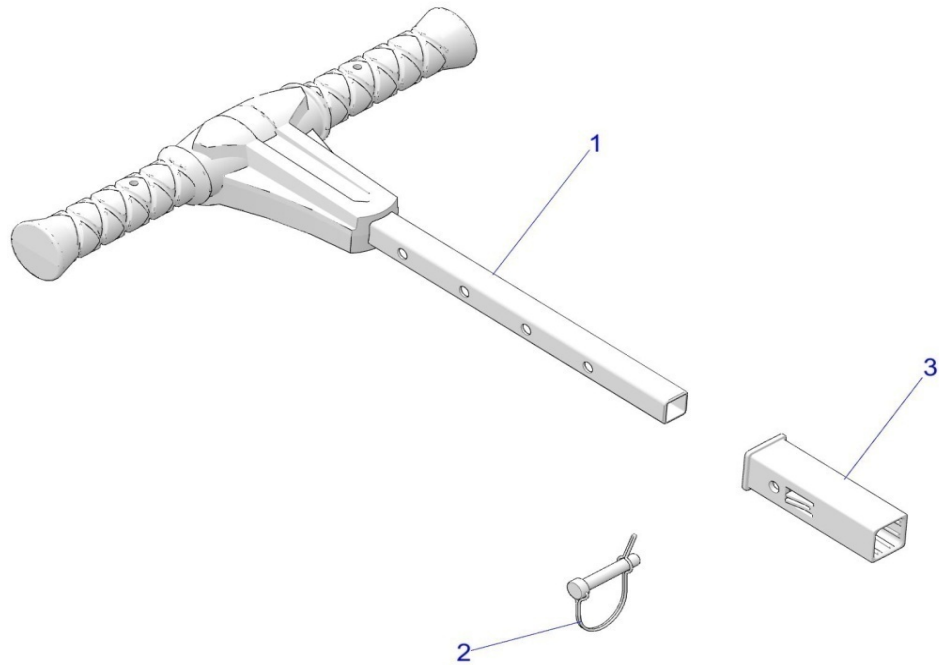
2022 RZR TRAIL S 1000 EPS EU/TRACTOR (R02) - Z22ASE99F4/F5/S99C4/C5



POS	SAP	Part Name	Qty
1	<a href="#">1045558</a>	FASCIA-FRONT,60,NYLON,P.BLU NM [C5][F5]	1
1	<a href="#">1045559</a>	FASCIA-FRONT,60,NYL,GH.GRY [C4][F4]	1
2	<a href="#">1045560</a>	GRILLE-FRONT FASCIA,BLK	1
3	<a href="#">1045561</a>	COVER-WINCH,TXT,BLK	1
4	<a href="#">1045562</a>	GRILLE-FRONT FASCIA,LH,BLK	1
5	<a href="#">1045563</a>	GRILLE-FRONT FASCIA,RH,BLK	1
6	<a href="#">1045564</a>	SHROUD-RADIATOR	1
7	<a href="#">1045772</a>	SCR-TX TRUSS-#14X3/4, HI/LO ZBK	2
8	<a href="#">1014459</a>	SCR-TXTH-M6X1.0X25 ZFB	8
8	<a href="#">1014459</a>	SCR-TXTH-M6X1.0X25 ZFB	8
8	<a href="#">1014459</a>	SCR-TXTH-M6X1.0X25 ZFB	8
8	<a href="#">1014459</a>	SCR-TXTH-M6X1.0X25 ZFB	8
9	<a href="#">1045565</a>	SCREW-10X5/8-HI/LO,PN-T25,TRX-M	4
10	<a href="#">1039688</a>	SCR-TFHFL-M8X1.25X20 CHS ZOD	2
11	<a href="#">1014468</a>	SCR-TXTH-M6X1.0X50 RIE [F5][F4]	2
11	<a href="#">1014468</a>	SCR-TXTH-M6X1.0X50 RIE [F5][F4]	2
12	<a href="#">1045566</a>	CVR-ACCNT LIGHT,FILR,LH,NYLWHT [C5][F5]	1
12	<a href="#">1045567</a>	CVR-ACCNT LIGHT,FILR,LH,NYLGRY [C4][F4]	1
13	<a href="#">1045568</a>	CVR-ACCNT LIGHT,FILR,RH,NYLWHT [C5][F5]	1
13	<a href="#">1045569</a>	CVR-ACCNT LIGHT,FILR,RH,NYLGRY [C4][F4]	1

# BODY, GRAB BAR, PASSENGER

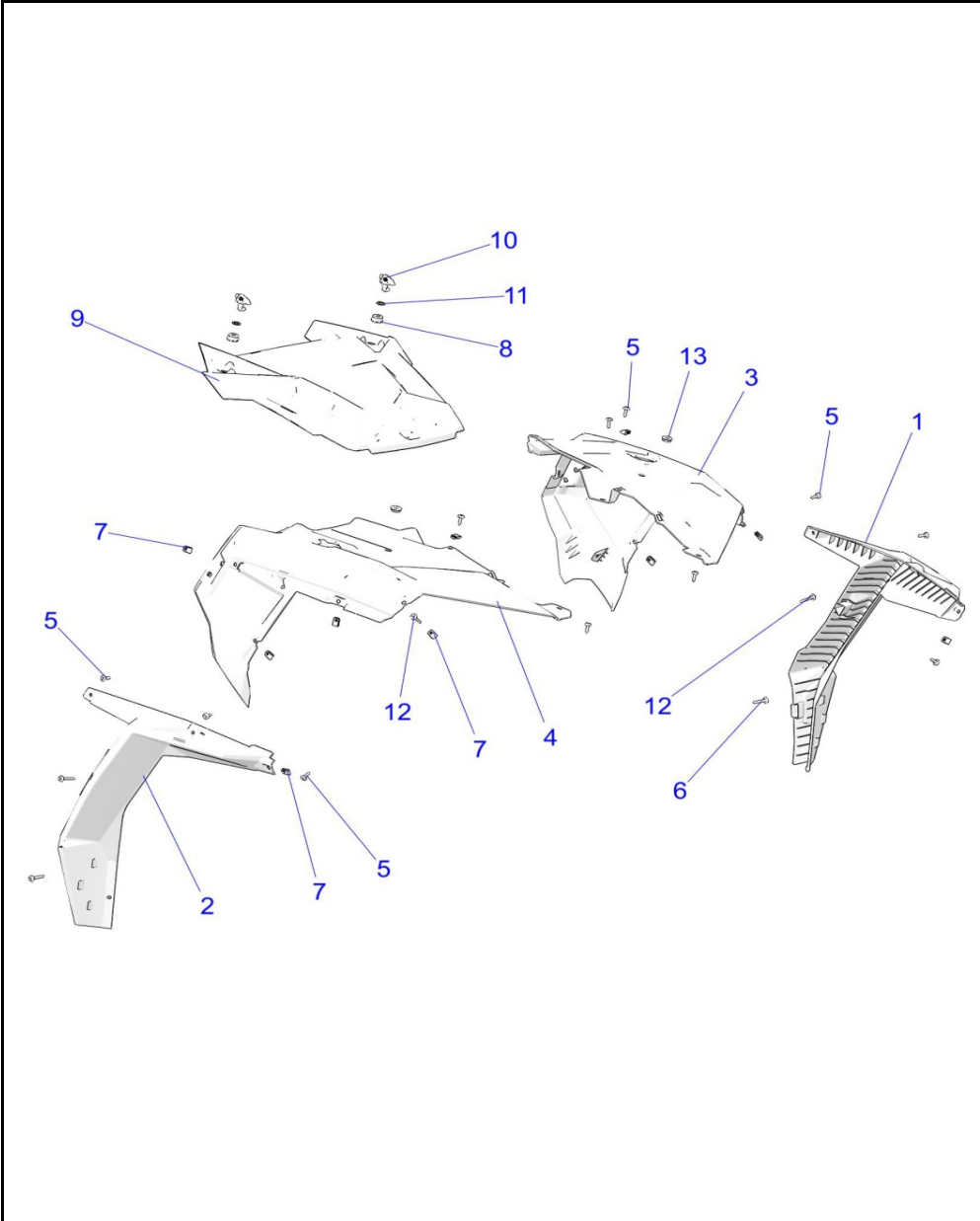
2022 RZR TRAIL S 1000 EPS EU/TRACTOR (R02) - Z22ASE99F4/F5/S99C4/C5



POS	SAP	Part Name	Qty
1	<a href="#">1006282</a>	ASM., GRAB BAR	1
2	<a href="#">1014590</a>	PIN-HITCH, TAB	1
3	<a href="#">1039571</a>	BUSHING-GRAB BAR SQ	1

# BODY, HOOD AND FRONT BODY WORK

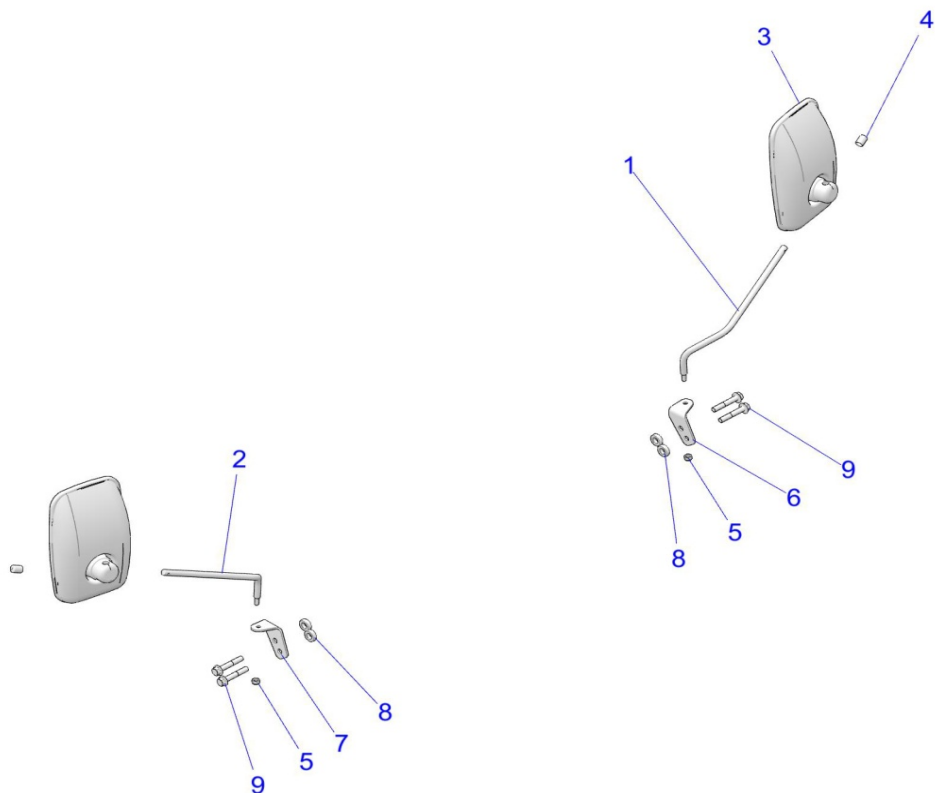
2022 RZR TRAIL S 1000 EPS EU/TRACTOR (R02) - Z22ASE99F4/F5/S99C4/C5



POS	SAP	Part Name	Qty
1	<a href="#">1011869</a>	FENDER, FRONT FLAIR, LH, BLACK [F5][F4]	1
1	<a href="#">1040140</a>	FENDER-FRONT MAIN FLAIR,LH,BLK [C5][C4]	1
2	<a href="#">1011870</a>	FENDER, FRONT FLAIR, RH, BLACK [F5][F4]	1
2	<a href="#">1011949</a>	FENDER-FRONT MAIN FLAIR,RH,BLK [C5][C4]	1
3	<a href="#">1045570</a>	FNDR-FR,LH,RTRD,NYLON,P.BLU NM [C5][F5]	1
3	<a href="#">1045571</a>	FENDER-FR,LH,RTRD,NYLON,GH.GRY [C4][F4]	1
4	<a href="#">1045572</a>	FNDR-FR,RH,RTRD,NYLON,P.BLU NM [C5][F5]	1
4	<a href="#">1045573</a>	FENDER-FR,RH,RTRD,NYLON,GH.GRY [C4][F4]	1
5	<a href="#">1014459</a>	SCR-TXTH-M6X1.0X25 ZFB	AR
5	<a href="#">1014459</a>	SCR-TXTH-M6X1.0X25 ZFB	AR
5	<a href="#">1014459</a>	SCR-TXTH-M6X1.0X25 ZFB	AR
5	<a href="#">1014459</a>	SCR-TXTH-M6X1.0X25 ZFB	AR
6	<a href="#">1014467</a>	SCR-14X1.75 T40 TX HI/LO	2
7	<a href="#">1014509</a>	NUT-M6-1.0, U-TYPE (2.5-3.8)	AR
7	<a href="#">1014509</a>	NUT-M6-1.0, U-TYPE (2.5-3.8)	AR
7	<a href="#">1014509</a>	NUT-M6-1.0, U-TYPE (2.5-3.8)	AR
8	<a href="#">1011795</a>	GROMMET, LATCH	2
9	<a href="#">1045574</a>	HOOD-CENTER,NYLON,WHITE [C5][F5]	1
9	<a href="#">1045575</a>	HOOD-CENTER,NYLON,GH.GRY [C4][F4]	1
10	<a href="#">1045094</a>	LATCH, 1/4 TURN	2
11	<a href="#">1014517</a>	WASHER-.510X.840X.031 Y	2
12	<a href="#">1014468</a>	SCR-TXTH-M6X1.0X50 RIE	2
12	<a href="#">1014468</a>	SCR-TXTH-M6X1.0X50 RIE	2
13	<a href="#">1045088</a>	GROMMET, 4MM	2

# BODY, MIRRORS, TRACTOR

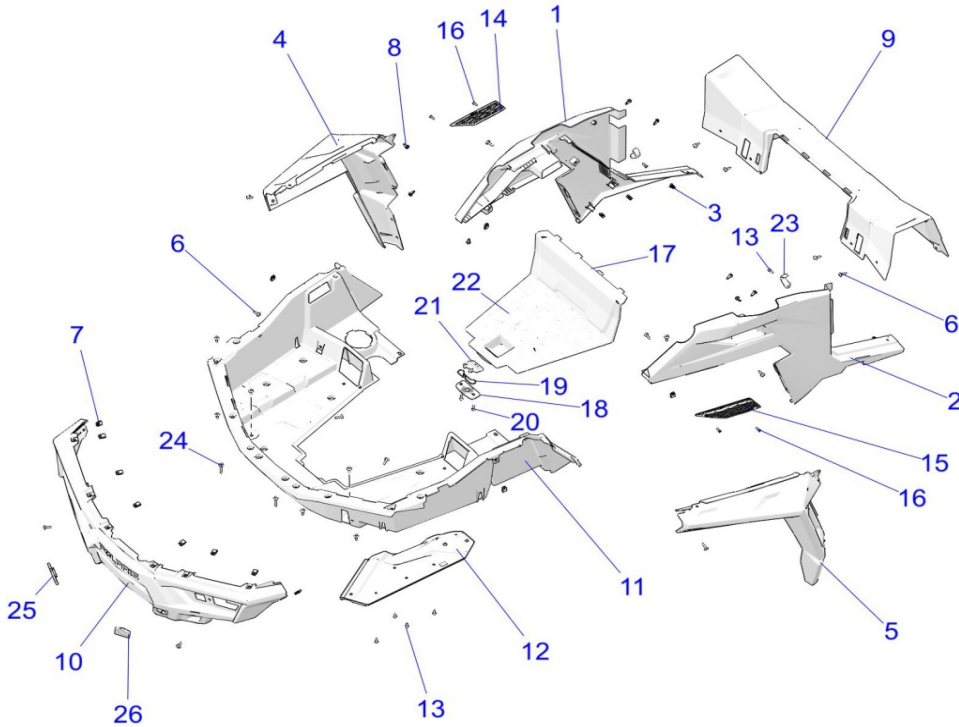
2022 RZR TRAIL S 1000 EPS EU/TRACTOR (R02) - Z22ASE99F4/F5/S99C4/C5



POS	SAP	Part Name	Qty
-	<a href="#">1045576</a>	ASM-MIRROR,SET,TRACTOR [C5][C4][INCL. 2-5]	1
1	<a href="#">1045577</a>	MIRROR ARM,LH,BLK [C5][C4]	1
1	<a href="#">1006278</a>	Asm., Mirror, Handlebar, LH [F5][F4]	1
2	<a href="#">1045578</a>	MIRROR ARM,RH,BLK [C5][C4]	2
2	<a href="#">1006279</a>	Asm., Mirror, Handlebar, RH [F5][F4]	1
3	<a href="#">1011968</a>	MIRROR CERT R46,TR [C5][C4]	2
4	<a href="#">1011972</a>	PLUG-MIRROR ARM [C5][C4]	2
5	<a href="#">1014497</a>	NUT-HEX,M8X1.25,NYLOCK-SS	2
5	<a href="#">1014497</a>	NUT-HEX,M8X1.25,NYLOCK-SS	2
6	<a href="#">1045579</a>	BRKT-MIRROR MOUNT,LH,BLK	1
7	<a href="#">1045580</a>	BRKT-MIRROR MOUNT,RH,BLK	1
8	<a href="#">1045582</a>	SPACER-25X8,BLK	4
8	<a href="#">1045582</a>	SPACER-25X8,BLK	4
9	<a href="#">1045584</a>	SCR-HXFL-M10X1.5X60 10.9 ZB	4
9	<a href="#">1045584</a>	SCR-HXFL-M10X1.5X60 10.9 ZB	4

# BODY, REAR RACK AND FENDERS

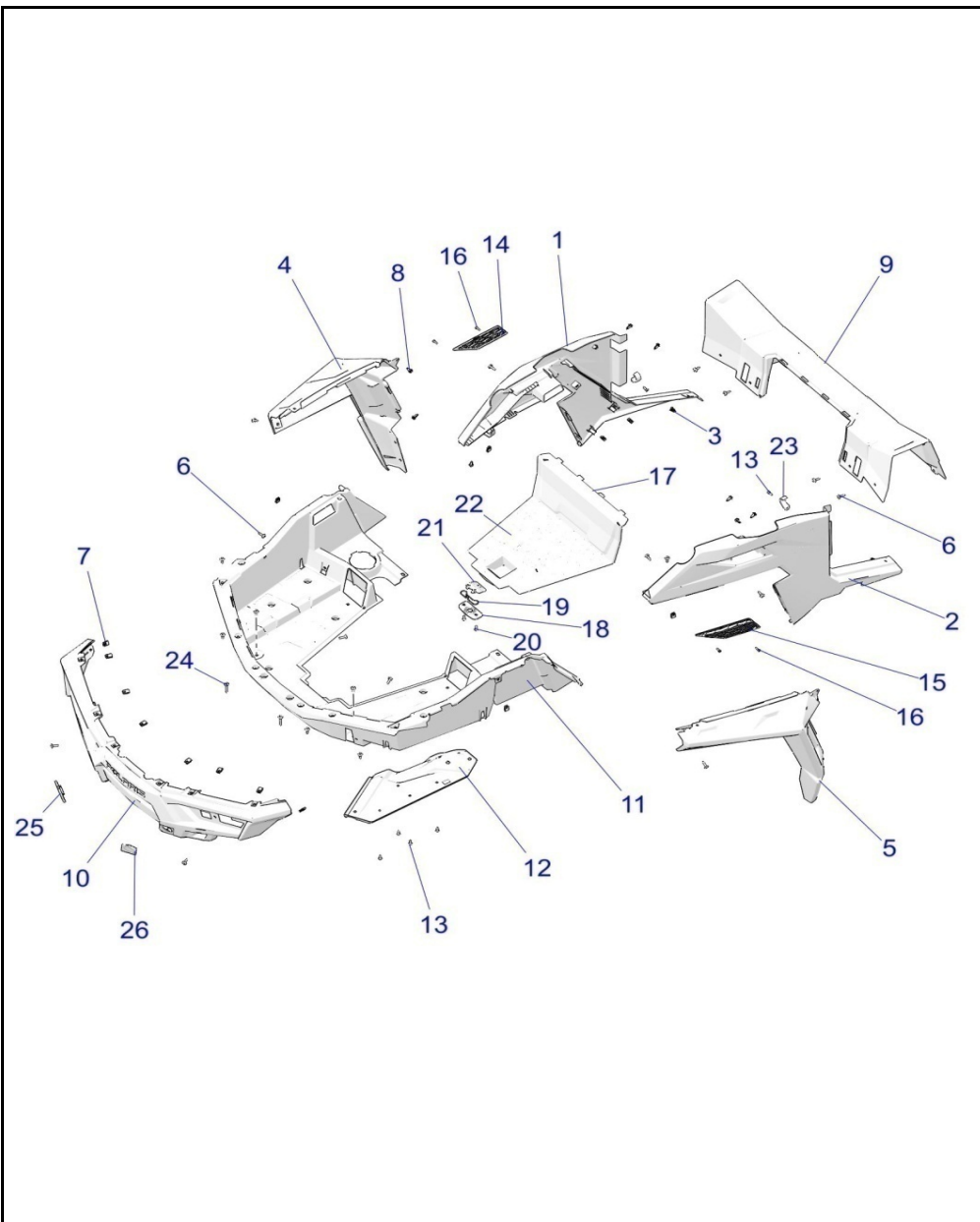
2022 RZR TRAIL S 1000 EPS EU/TRACTOR (R02) - Z22ASE99F4/F5/S99C4/C5



POS	SAP	Part Name	Qty
1	1045585	ASM-FNDR,RR,CLIP,LH,NY,P.BL NM [INCL. QTY 3 OF REF. 3][C5][F5]	1
1	1045586	ASM-FNDR,RR,CLIP,LH,NYL,G.GRY [INCL. QTY 3 OF REF. 3][C4][F4]	1
2	1045587	ASM-FNDR,RR,CLIP,RH,NY,P.BL NM [INCL. QTY 3 OF REF. 3][C5][F5]	1
2	1045588	ASM-FNDR,RR,CLIP,RH,NYL,G.GRY [INCL. QTY 3 OF REF. 3][C4][F4]	1
3	1014466	CLIP, DASH, TRIM, METAL	6
4	1011873	FENDER, REAR FLAIR, LH, BLACK [F5][F4]	1
4	1040157	FENDER-REAR MAIN FLAIR,LH,BLK [C5][C4]	1
5	1011874	FENDER, REAR FLAIR, RH, BLACK [F5][F4]	1
5	1011950	FENDER-REAR MAIN FLAIR,RH,BLK [C5][C4]	1
6	1014459	SCR-TXTH-M6X1.0X25 ZFB	AR
6	1014459	SCR-TXTH-M6X1.0X25 ZFB	AR
7	1014509	NUT-M6-1.0, U-TYPE (2.5-3.8)	AR
8	1014589	RIVET-TUFLOK,.315-.325X.787	AR
9	1045589	HOUSING, AIR INTAKE, BLACK	1
10	1045590	FASCIA-REAR,ROUTERED [F5][F4]	1
10	1045591	FASCIA-REAR,ROUTERED,TR,BLK [C5][C4]	1
11	1045592	ASM-REAR BOX,BLK [INCL. 13-14]	1
12	1040164	SHIELD-BOX MOUNT,INNER	1
13	1045772	SCR-TX TRUSS-#14X3/4, HI/LO ZBK	4
13	1045772	SCR-TX TRUSS-#14X3/4, HI/LO ZBK	4
14	1045593	GRILL-INTAKE COVER,LH,BLK	1
15	1045594	GRILL-INTAKE COVER,RH,BLK	1
16	1014423	SCREW-#10X3/4-HI/LO-PN-T25,TRX-M	4
16	1014423	SCREW-#10X3/4-HI/LO-PN-T25,TRX-M	4
17	1045595	K-ASM-PANEL BOX,ACCESS,INTL [INCL. 18-22, WARNING DECAL]	1
18	1011896	LATCH, COVER PLATE, BLACK	1
19	1045115	SPRING, LATCH, SEAT	1
20	1039737	SCR-TXPH-#14X3/4 HI/LO CLR	2
21	1011830	LEVER, LATCH, SEAT	1

# BODY, REAR RACK AND FENDERS

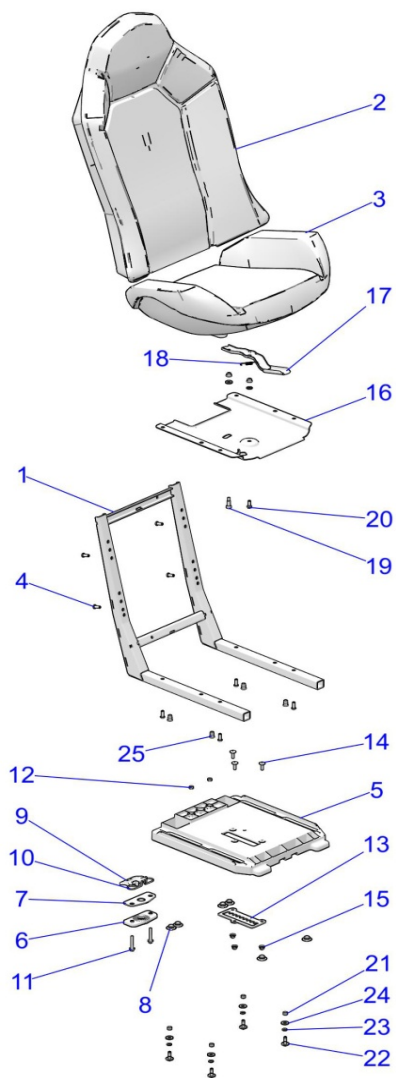
2022 RZR TRAIL S 1000 EPS EU/TRACTOR (R02) - Z22ASE99F4/F5/S99C4/C5



POS	SAP	Part Name	Qty
22	<a href="#">1045596</a>	PANEL-BOX,ACCESS	1
23	<a href="#">1045597</a>	BRKT, J MOUNT, INJ, RZN	2
24	<a href="#">1014468</a>	SCR-TXTH-M6X1.0X50 RIE [F5][F4]	2
25	<a href="#">1040159</a>	PLUG, REAR, FASCIA, LH, BLACK	1
26	<a href="#">1040160</a>	PLUG, REAR, FASCIA, RH, BLACK	1

## BODY, SEAT ASM. AND SLIDER

2022 RZR TRAIL S 1000 EPS EU/TRACTOR (R02) - Z22ASE99F4/F5/S99C4/C5

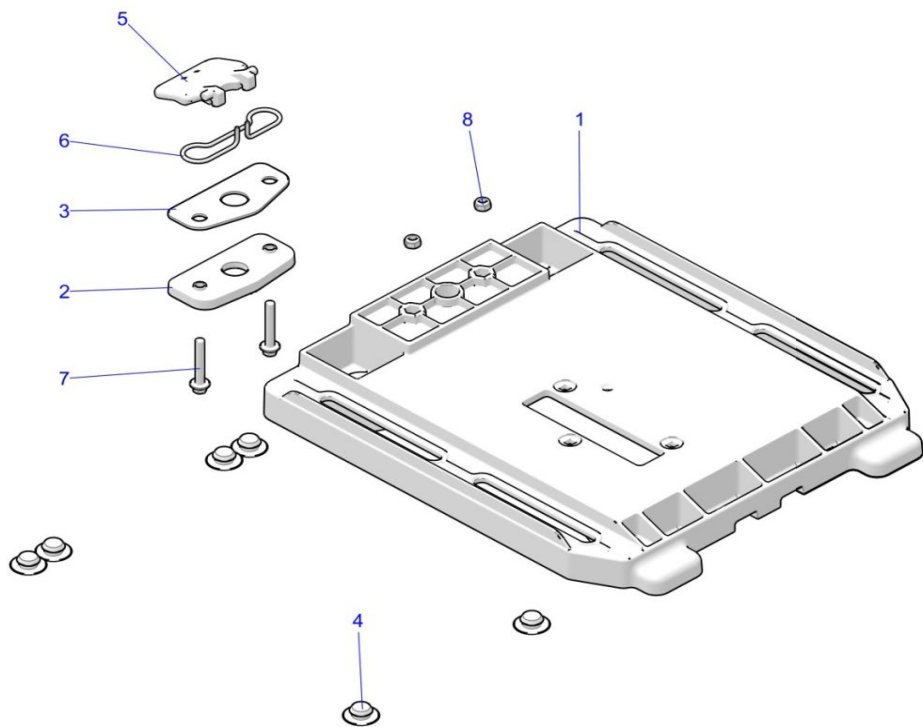


POS	SAP	Part Name	Qty
1	1039345	WELD-FRAME, SEAT	2
2	1045616	ASM-SEAT BACK,PBLUE/BLK,WHST [F5]	2
2	1045599	ASM-SEAT BACK,GHST/BLK,RED ST [F4]	2
3	1045617	ASM-SEAT BTM,PBLUE/BLK,WH ST [F5]	2
3	1045601	ASM-SEAT BTM,GHST/BLK,RED ST [F4]	2
4	1014427	SCREW-1/4-20x3/4 BH TRX, GR5-Z	16
5	1039395	ASM., BASE, SEAT SLIDER [INCL. 6-14, QTY 3 OF 15, 25]	1
5	1039388	ASM., BASE, SEAT [INCL. 7-12]	1
6	1011896	LATCH, COVER PLATE, BLACK	2
7	1039523	PLATE, LATCH, SEAT	2
8	1039539	GROMMET, SEAT, BASE	12
9	1011830	LEVER, LATCH, SEAT	2
10	1045115	SPRING, LATCH, SEAT	2
11	1039663	SCREW-M6X1.00X40-HX/FL-YD	4
12	1039773	NUT-6MM X 1 NYLOK-Z	4
13	1045116	BRACKET, SEAT, SLIDER, ADJUSTABLE PLATE	1
14	1039712	SCR-RHCARM6X1.0X20 8.8 ZOD	3
15	1039784	NUT-M6X1.0, FLG-NYLOC-OLIVE D	5
16	1039527	BRACKET, SEAT SLIDER MOUNTING PLATE	1
17	1033334	BRACKET, SEAT SLIDER LEVER	1
18	1039605	SPRING	1
19	1039706	SCR-SH-M6X1.0X9.5 12.9 ZY3	1
20	1039709	BOLT, SHOULDER	1
21	1039531	TUBE, SPACER	4
22	1039739	SCR-1/4-20X1-BH-TRX-GR5-Z	8
23	1039795	WASHER-1/4 SPRING LOCK-Y	8
24	1039798	WASHER-FL .281X.750X.062-Y	8
25	1045602	INSERT-1/4-20,HEX HEAD	8



## BODY, SEAT BASE

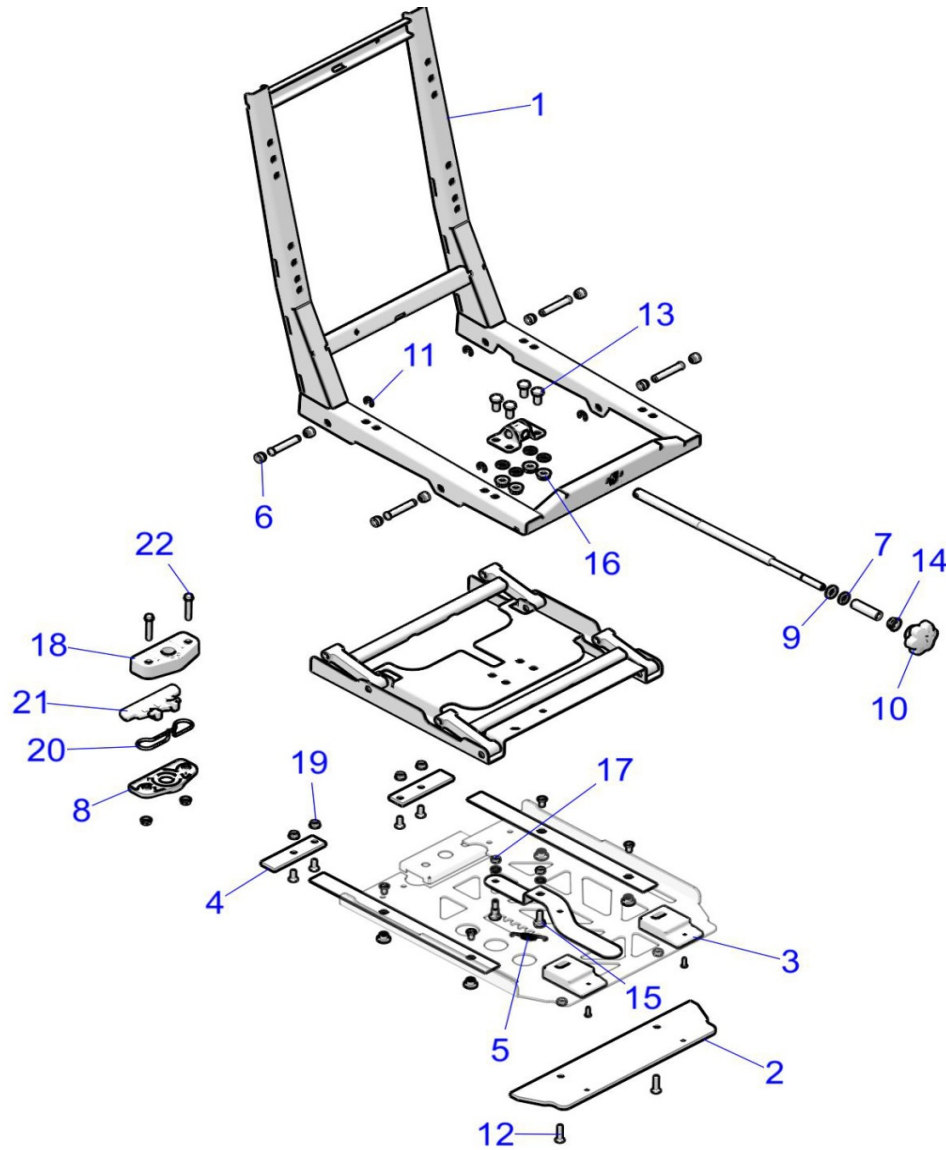
2022 RZR TRAIL S 1000 EPS EU/TRACTOR (R02) - Z22ASE99F4/F5/S99C4/C5



POS	SAP	Part Name	Qty
1	<a href="#">1039388</a>	ASM., BASE, SEAT [INCL. 3-10]	1
2	<a href="#">1011896</a>	LATCH, COVER PLATE, BLACK	1
3	<a href="#">1039523</a>	PLATE, LATCH, SEAT	1
4	<a href="#">1039539</a>	GROMMET, SEAT, BASE	6
5	<a href="#">1011830</a>	LEVER, LATCH, SEAT	1
6	<a href="#">1045115</a>	SPRING, LATCH, SEAT	1
7	<a href="#">1039663</a>	SCREW-M6X1.00X40-HX/FL-YD	2
8	<a href="#">1039773</a>	NUT-6MM X 1 NYLOK-Z	2

# BODY, SEAT BASE, ADJUSTER

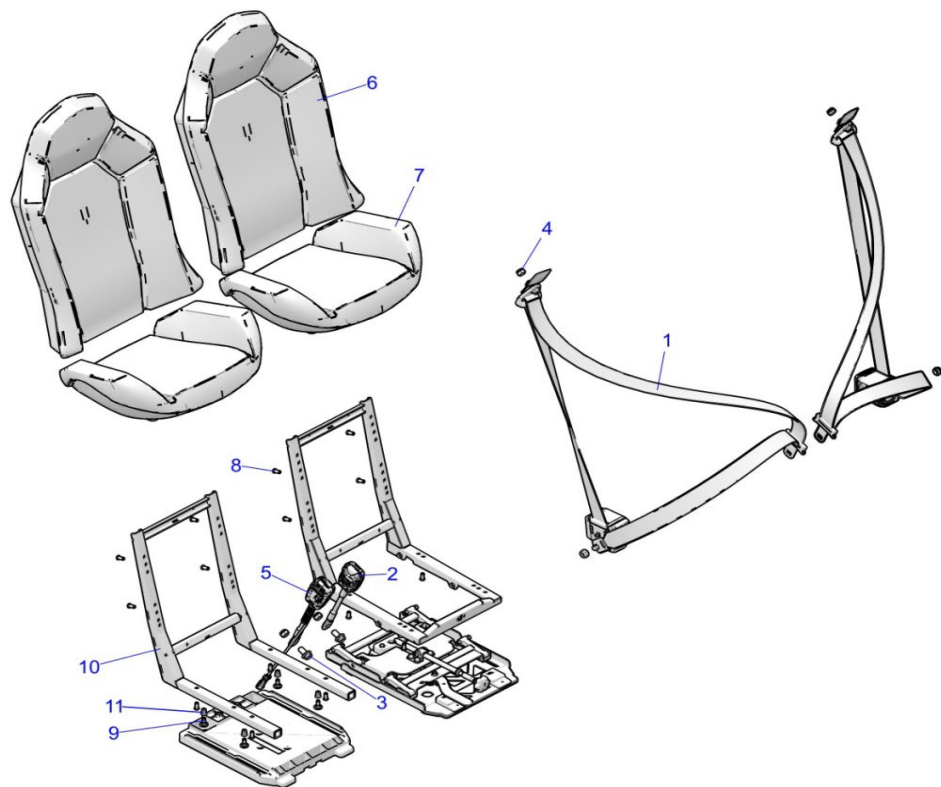
2022 RZR TRAIL S 1000 EPS EU/TRACTOR (R02) - Z22ASE99F4/F5/S99C4/C5



POS	SAP	Part Name	Qty
1	1045603	ASM-SEAT ADJUSTER RZR,BLK [INCL.2-17]	1
2	1045604	SPACER FRONT	1
3	1045605	SEAT LOCK SUPPORT FRONT	2
4	1045606	SPACER REAR	2
5	1040173	SPRING 40MM	1
6	1040174	SPACER-M8X9MM	8
7	1045747	WASHER 8.4X16.7	1
8	1045608	CAP, LATCH, SEAT	1
9	1045609	WASHER 8.4X18	1
10	1045610	KNOB M8	1
11	1045611	RING-RETAINING M7	4
12	1040180	SCR-HEX COUNTERSUNK HEAD M6X25	2
13	1040181	SCR-HEXAGONAL M8X16	4
14	1040186	NUT-M8X1.25	1
15	1040183	BOLT-SOLDER M8X18	1
16	1040188	NUT-FLANGE HEX M8X8X1.25	4
17	1045612	NUT M6 HX FLG NL-Y	6
18	1045613	BODY, LATCH, SEAT	1
19	1045182	NUT-HXFLGHD, M6, SERRATED	2
20	1045115	SPRING, LATCH, SEAT	1
21	1045614	LEVER-LATCH,SEAT	1
22	1014452	SCR-HXFL-M6X1.0X35, W/PATCHLOK	2

## BODY, SEAT BELT AND MOUNTING

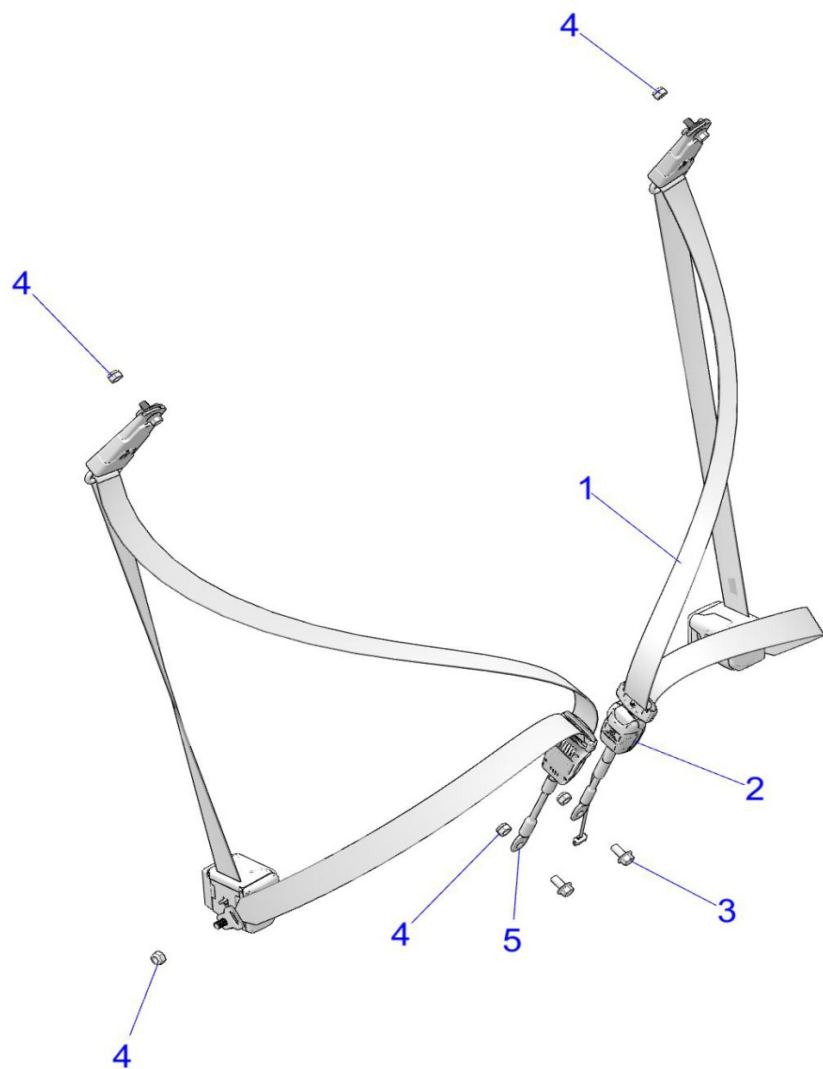
2022 RZR TRAIL S 1000 EPS EU/TRACTOR (R02) - Z22ASE99F4/F5/S99C4/C5



POS	SAP	Part Name	Qty
1	1045618	ASM-SEAT BELT,3PT	2
2	1006302	BUCKLE-SEATBELT,90,SWITCH,TR	1
3	1039718	SCR-M12X1.75X25 8.8 HXFL ZOD	2
4	1039769	NUT-NYLOCK, M12X1.75, 0600110	6
5	1006303	BUCKLE-SEAT BELT,11.5,90,TR	1
6	1045616	ASM-SEAT BACK,PBLUE/BLK,WHST	2
7	1045617	ASM-SEAT BTM,PBLUE/BLK,WH ST	2
8	1014427	SCREW-1/4-20x3/4 BH TRX, GR5-Z	16
9	1039739	SCR-1/4-20X1-BH-TRX-GR5-Z	4
9	1039795	WASHER-1/4 SPRING LOCK-Y	4
9	1039798	WASHER-FL .281X.750X.062-Y	4
10	1039345	WELD-FRAME, SEAT	1

## BODY, SEAT BELT MOUNTING

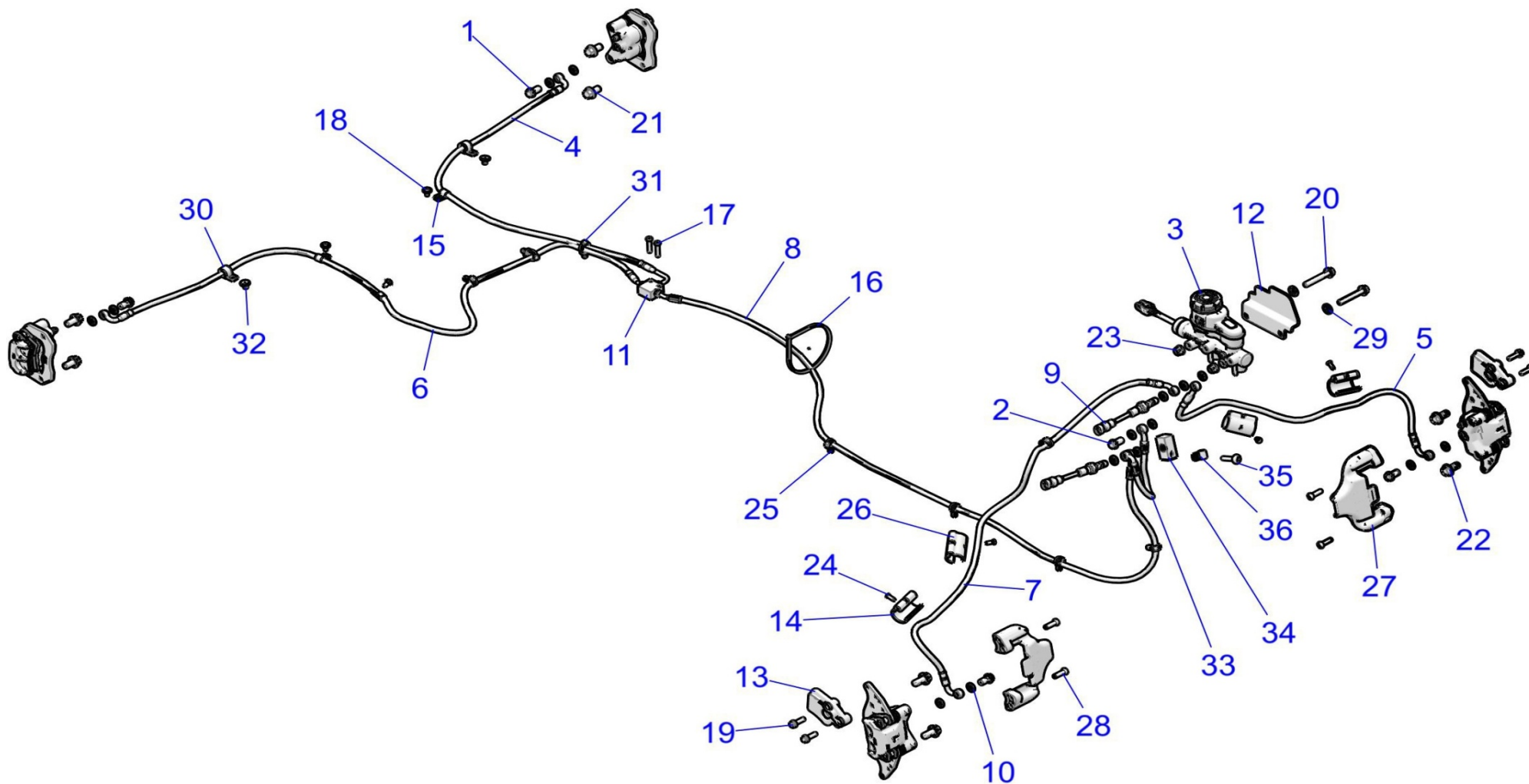
2022 RZR TRAIL S 1000 EPS EU/TRACTOR (R02) - Z22ASE99F4/F5/S99C4/C5



POS	SAP	Part Name	Qty
1	1045618	ASM-SEAT BELT,3PT	2
2	1006302	BUCKLE-SEATBELT,90,SWITCH,TR	1
3	1039718	SCR-M12X1.75X25 8.8 HXFL ZOD	2
4	1039769	NUT-NYLOCK, M12X1.75, 0600110	6
4	1039769	NUT-NYLOCK, M12X1.75, 0600110	6
4	1039769	NUT-NYLOCK, M12X1.75, 0600110	6
4	1039769	NUT-NYLOCK, M12X1.75, 0600110	6
5	1006303	BUCKLE-SEAT BELT,11.5,90,TR	1

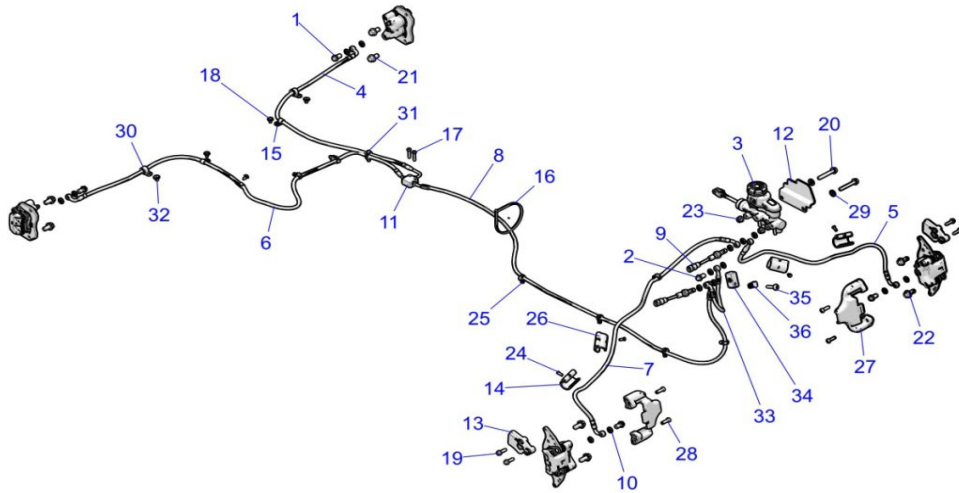
# BRAKES, BRAKE LINES AND MASTER CYLINDER

2022 RZR TRAIL S 1000 EPS EU/TRACTOR (R02) - Z22ASE99F4/F5/S99C4/C5



# BRAKES, BRAKE LINES AND MASTER CYLINDER

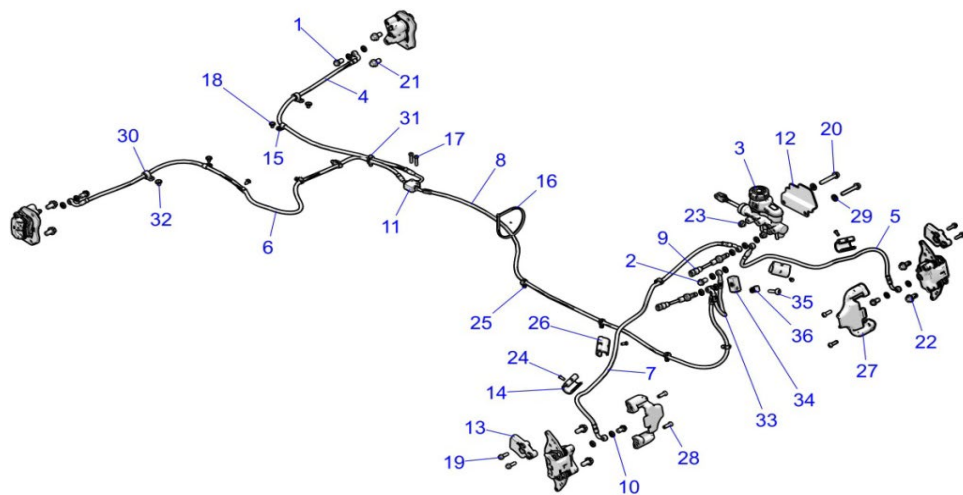
2022 RZR TRAIL S 1000 EPS EU/TRACTOR (R02) - Z22ASE99F4/F5/S99C4/C5



POS	SAP	Part Name	Qty
1	<a href="#">1039367</a>	BOLT-BANJO,10MMX1.00-6G	4
2	<a href="#">1039368</a>	BOLT-BANJO, 10MM X 1.25-6G	1
3	<a href="#">1039184</a>	ASM., MASTER CYLINDER, TANDEM	1
4	<a href="#">1040205</a>	LINE-BRK,RL,40.2,90B,90F,346°G	1
5	<a href="#">1040206</a>	LINE-BRK,FL,31.3,90SB,20B,180G	1
6	<a href="#">1040207</a>	LINE-BRK,RR,55.1",90B,20F,35°G	1
7	<a href="#">1040208</a>	LINE-BRK,FR,42.3,90SB,70B,330G	1
8	<a href="#">1040209</a>	LINE, BRAKE, MCT	1
9	<a href="#">1032907</a>	SWITCH-BRK, M10X1.25, DBL, SEALED [QTY. of 2 in C5,C4][TO 5/23/2022 C5,C4 ONLY]	1
9	<a href="#">1045619</a>	SWITCH-BRK,M10X1.25,DBL [QTY. of 2 in C5,C4][FROM 5/23/2022 C5,C4 ONLY]	1
10	<a href="#">1011792</a>	SEAL-STAT-0-3/8, 70EP [QTY. of 16 in C5,C4]	13
11	<a href="#">1039608</a>	FITTING, TEE, BRAKE	1
12	<a href="#">1039524</a>	SHIELD, MASTER CYLINDER	1
13	<a href="#">1045620</a>	SCRAPER, BRAKE, FRONT	2
14	<a href="#">1039577</a>	CLIP, BRAKE LINE, OUTER	2
15	<a href="#">1039618</a>	CLAMP-HOSE,.312DIA,VINYL COAT	3
16	<a href="#">1014060</a>	CABLE-TIE,10-102MM,WEATH.-RES.	1
17	<a href="#">1039655</a>	SCR-10-24X1.25TFM PN TRX TRI-Y	2
18	<a href="#">1039657</a>	SCR-10-24X1/2, PHTXTRIRD, SEMS-Y	3
19	<a href="#">1040213</a>	SCR-M6X1.0X25-HX/FL-Y/D	4
20	<a href="#">1039746</a>	SCR-HXFL-M8X1.25X60 8.8 ZOD	2
21	<a href="#">1039690</a>	BOLT-M10X1.25X20,HXFLG-OLV D	4
22	<a href="#">1039704</a>	SCR-HXFL-M10X1.25X25 8.8 Z NY	4
23	<a href="#">1014499</a>	NUT- M8X1.25, FLG, NYLOC-OLIVE D	2
24	<a href="#">1039807</a>	RIVET-POP 5/32(.251-.375)-ST-B	4
25	<a href="#">1039816</a>	CLIP-SILENCER BOX-C,98 INDY	6
26	<a href="#">1039576</a>	CLIP, BRAKE LINE, INNER	2

## BRAKES, BRAKE LINES AND MASTER CYLINDER

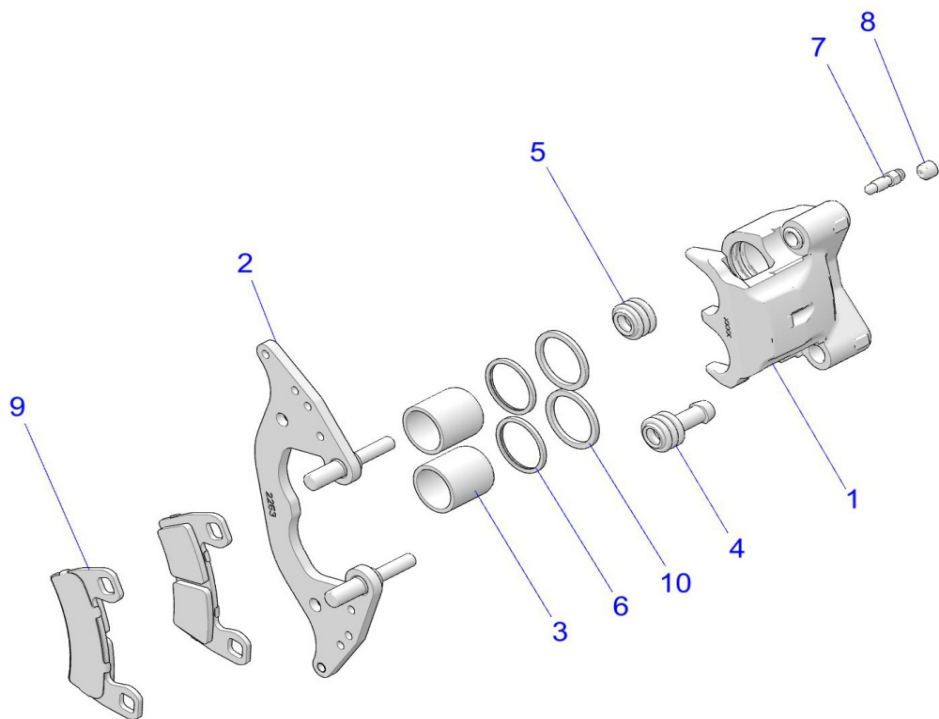
2022 RZR TRAIL S 1000 EPS EU/TRACTOR (R02) - Z22ASE99F4/F5/S99C4/C5



POS	SAP	Part Name	Qty
27	<a href="#">1040215</a>	SHIELD, CV, FRONT, BLACK	2
28	<a href="#">1040217</a>	SCR-TXPH-M6X1.0X25 8.8 ZC	4
29	<a href="#">1039800</a>	WSHR-.344X.750X.062-Y	2
30	<a href="#">1040219</a>	CLAMP-HOSE,.625 DIA VNL COATED	2
31	<a href="#">1014065</a>	CLIP-ROUTING	2
32	<a href="#">1014566</a>	RIVET 3/16(.063-.250)ST-ST-LF-B	2
33	<a href="#">1045621</a>	LINE-BRK,M2,11.3,20B,90B,90°,J [C5][C4]	1
34	<a href="#">1045622</a>	JUNCTION BLOCK [C5][C4]	1
35	<a href="#">1039714</a>	SCR-TXTH-M6X1.0X50, 8.8, ZPB [C5][C4]	1
36	<a href="#">1039629</a>	CLAMP, WIRE/TUBE .25 DIA [C5][C4]	1

## BRAKES, FRONT CALIPER

2022 RZR TRAIL S 1000 EPS EU/TRACTOR (R02) - Z22ASE99F4/F5/S99C4/C5

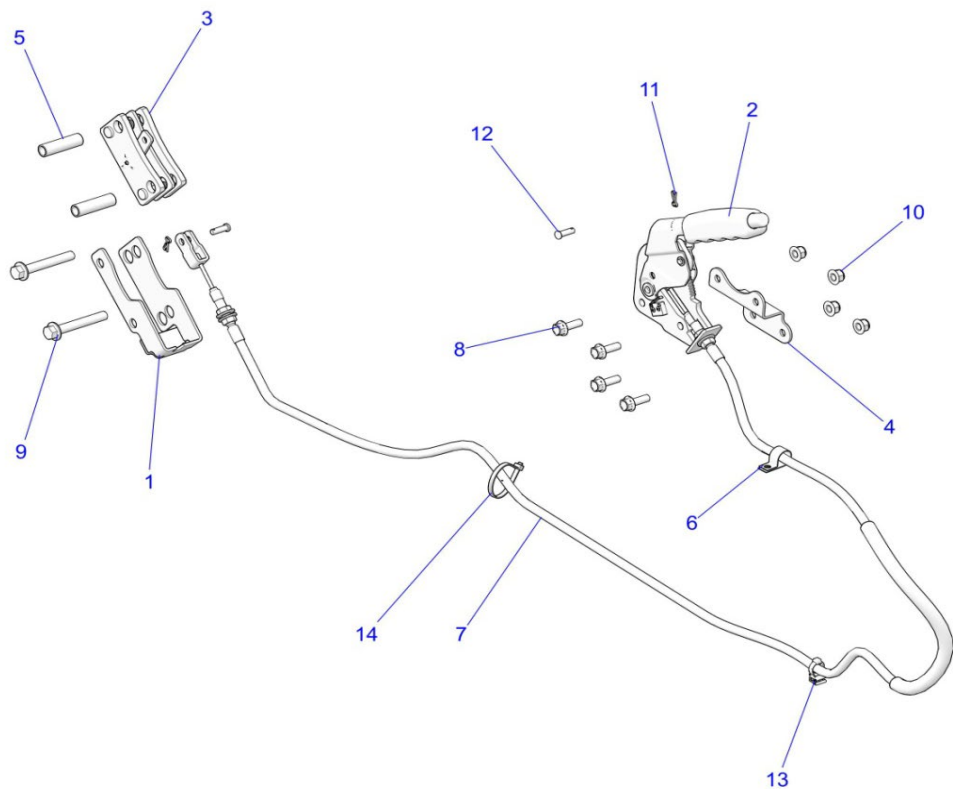


POS	SAP	Part Name	Qty
1	<a href="#">1040220</a>	ASM., BRAKE CALIPER, LH [INCL. ALL]	1
1	<a href="#">1040221</a>	ASM., BRAKE CALIPER, RH [INCL. ALL]	1
2	<a href="#">1040222</a>	ASM., CALIPER MOUNT	1
3	<a href="#">1040223</a>	PISTON-BRAKE, LONG Substituted by 1930665	2
4	<a href="#">1011787</a>	BOOT, PIN, BUSHING	1
5	<a href="#">1011788</a>	SHORT CALIPER BOOT	1
6	<a href="#">1011749</a>	Ring, Square, Molded (.094)	2
7	<a href="#">1014062</a>	SCR-M7X1.0,BLEEDER,OLIVE D	1
8	<a href="#">1014436</a>	SCR-M10X1.0X8,SOC SET-OD	1
9	<a href="#">1005167</a>	K-BRAKE PAD,DB 1.188",COMPACT [INCL. 4 PADS]	1
10	<a href="#">1011750</a>	SQUARE RING, MOLDED (.103 X .134)	2



## BRAKES, PARKING

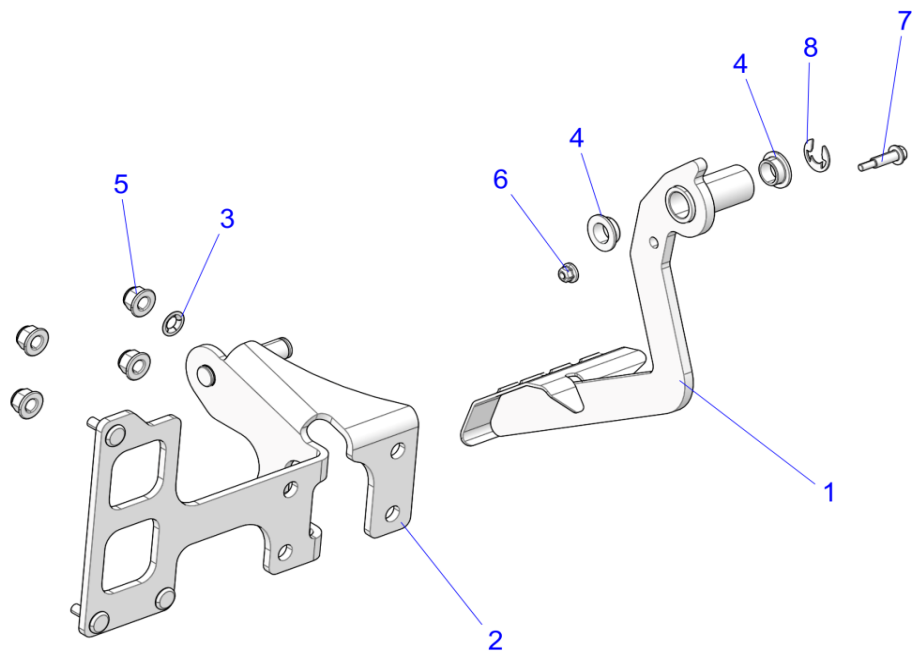
2022 RZR TRAIL S 1000 EPS EU/TRACTOR (R02) - Z22ASE99F4/F5/S99C4/C5



POS	SAP	Part Name	Qty
1	<a href="#">1040230</a>	BRACKET, PARKING BRAKE, CABLE, MATTE BLACK	1
2	<a href="#">1045623</a>	ASM-LEVER,PARK BRAKE	1
3	<a href="#">1004292</a>	ASM., CALIPER, PB, AFT-SB230C, RIVETED, MNI	1
4	<a href="#">1040232</a>	BRACKET, MOUNT, PARK BRAKE LEVER	1
5	<a href="#">1040233</a>	SPACER, PARKING BRAKE, 2 INCH	2
6	<a href="#">1040234</a>	CLAMP, RUBBER COATED, .75" ID	1
7	<a href="#">1014077</a>	CABLE-PARKING BRAKE,TW,73"	1
8	<a href="#">1039698</a>	SCREW-HXFL-M6X1.0X20 8.8 ZY3	4
9	<a href="#">1039692</a>	BOLT-M10X1.25X70,HXFLG-OLIVE D	2
10	<a href="#">1014499</a>	NUT- M8X1.25, FLG, NYLOC-OLIVE D	4
11	<a href="#">1039808</a>	PIN, CLIP, 14MM	2
12	<a href="#">1039809</a>	PIN-CLEVIS, 1/4 X 3/4 -Y	2
13	<a href="#">1045706</a>	CLIP-EDGE, 1-3mm THICKNESS	1
14	<a href="#">1014060</a>	CABLE-TIE,10-102MM,WEATH.-RES.	1

# BRAKES, PEDAL

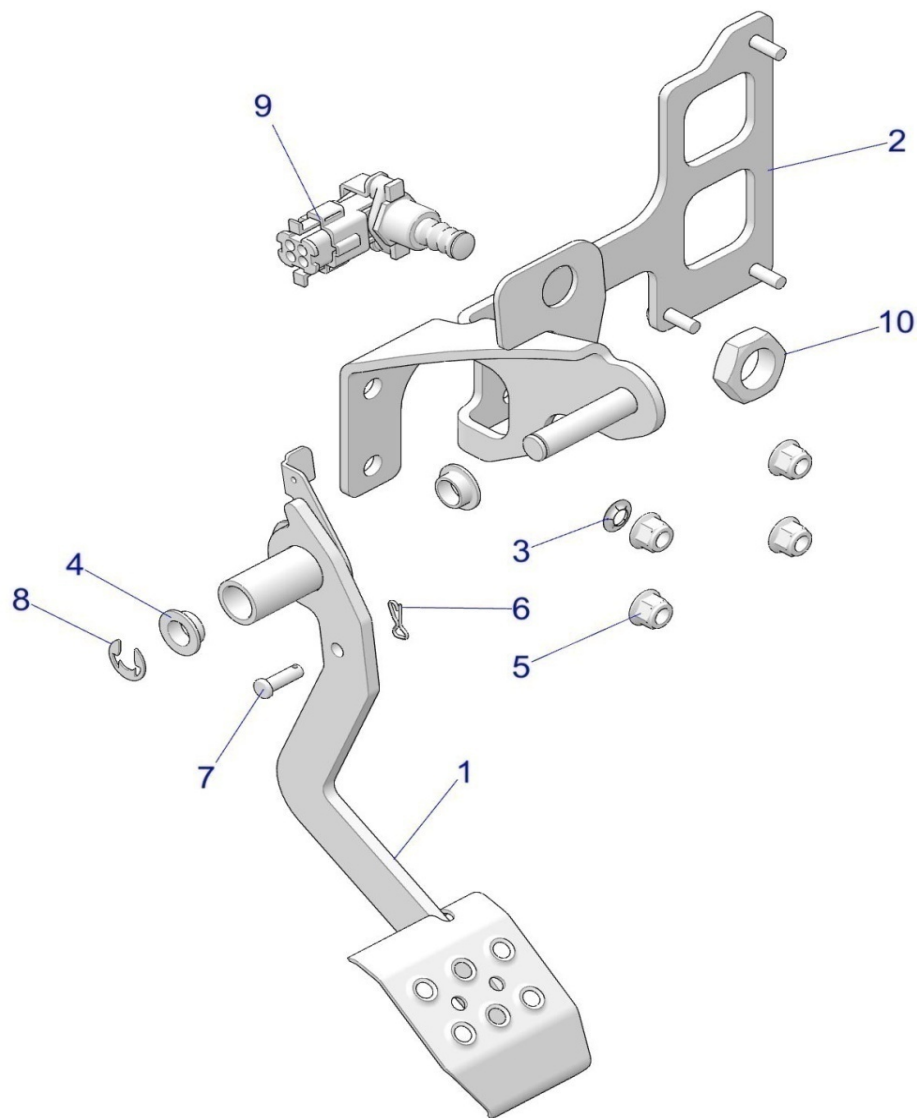
2022 RZR TRAIL S 1000 EPS EU/TRACTOR (R02) - Z22ASE99F4/F5/S99C4/C5



POS	SAP	Part Name	Qty
1	<a href="#">1001526</a>	PEDAL, BRAKE, MATTE BLACK	1
2	<a href="#">1045122</a>	WELD-PEDAL MNT,BLK	1
3	<a href="#">1039776</a>	NUT-5/16-PAL-Y	1
4	<a href="#">1039567</a>	BUSHING, PEDAL, PIVOT	2
4	<a href="#">1039567</a>	BUSHING, PEDAL, PIVOT	2
5	<a href="#">1014499</a>	NUT- M8X1.25, FLG, NYLOC-OLIVE D	4
6	<a href="#">1045124</a>	BOLT,M5X0.8X10,16.5 SHLD	1
7	<a href="#">1045123</a>	NUT-M5X0.8 8.8 HX/FL NYLOC	1
8	<a href="#">1039821</a>	RING-RETAINING, "E",EXT., .500	1

# BRAKES, PEDAL,TRACTOR

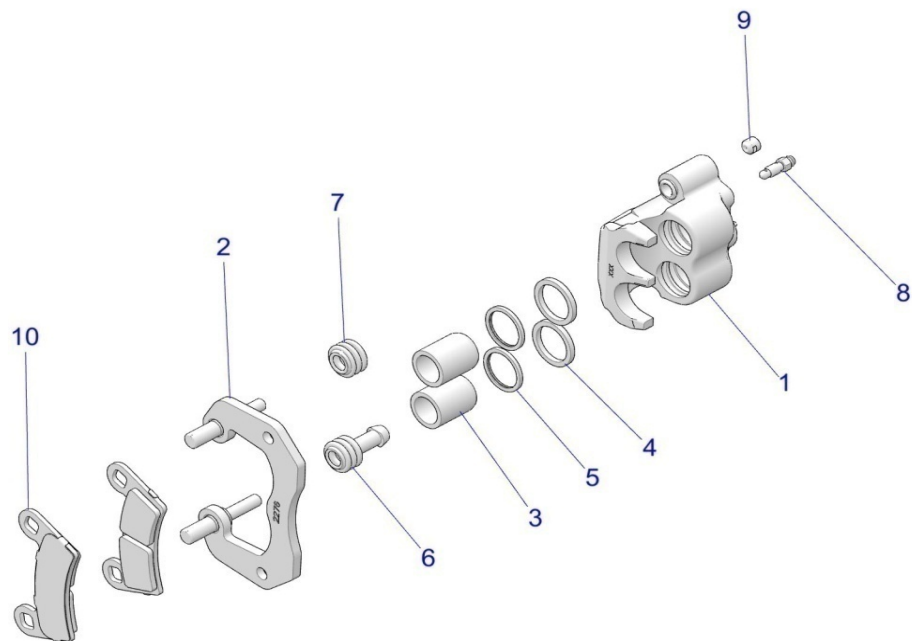
2022 RZR TRAIL S 1000 EPS EU/TRACTOR (R02) - Z22ASE99F4/F5/S99C4/C5



POS	SAP	Part Name	Qty
1	<a href="#">1045625</a>	WELD-BRAKE PEDAL,RZR,TR,M.BLK	1
2	<a href="#">1045626</a>	WELD-PEDAL MNT,BLK	1
3	<a href="#">1039776</a>	NUT-5/16-PAL-Y	1
4	<a href="#">1039567</a>	BUSHING, PEDAL, PIVOT	2
5	<a href="#">1014499</a>	NUT- M8X1.25, FLG, NYLOC-OLIVE D	4
6	<a href="#">1045124</a>	BOLT,M5X0.8X10,16.5 SHLD	1
7	<a href="#">1045123</a>	NUT-M5X0.8 8.8 HX/FL NYLOC	1
8	<a href="#">1039821</a>	RING-RETAINING, "E",EXT., .500	1
9	<a href="#">1040238</a>	BRAKE PEDAL SWITCH	1
10	<a href="#">1045627</a>	NUT-HEX-M20X1.5 8 ZOD	1

## BRAKES, REAR CALIPER

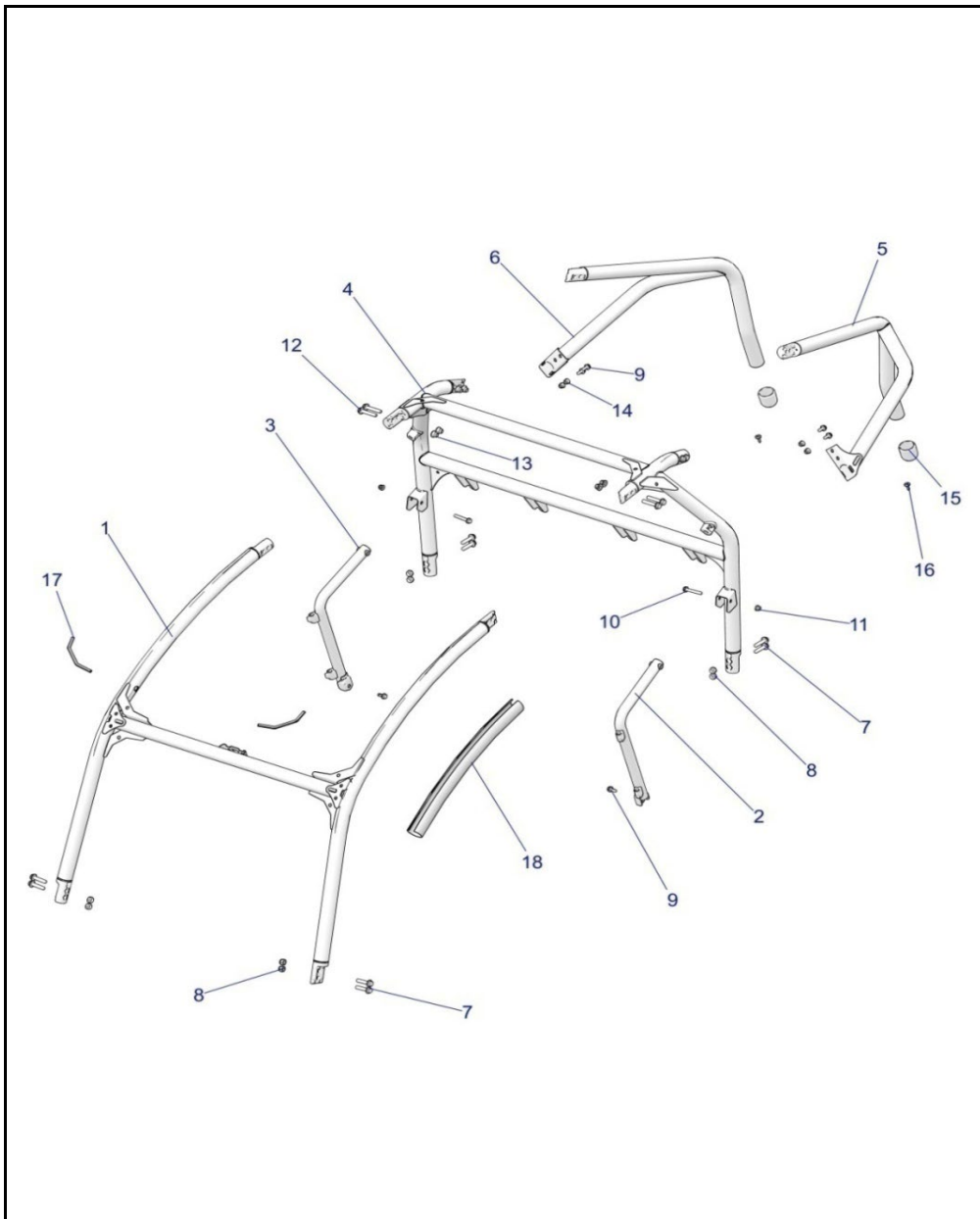
2022 RZR TRAIL S 1000 EPS EU/TRACTOR (R02) - Z22ASE99F4/F5/S99C4/C5



POS	SAP	Part Name	Qty
1	<a href="#">1040225</a>	ASM., BRAKE CALIPER, LH [INCL. ALL]	1
1	<a href="#">1040226</a>	ASM., BRAKE CALIPER, RH [INCL. ALL]	1
2	<a href="#">1040227</a>	ASM-CALIPER MNT,DB,3.0",APX	1
3	<a href="#">1011186</a>	PISTON, BRAKE, LONG	2
4	<a href="#">1011748</a>	SQUARE RING-MOLDED (.134)	2
5	<a href="#">1040228</a>	RING, SQUARE,(1"DIAM.) Substituted by 2200463	2
6	<a href="#">1011787</a>	BOOT, PIN, BUSHING	1
7	<a href="#">1011788</a>	SHORT CALIPER BOOT	1
8	<a href="#">1014062</a>	SCR-M7X1.0,BLEEDER,OLIVE D	1
9	<a href="#">1014436</a>	SCR-M10X1.0X8,SOC SET-OD	1
10	<a href="#">1005140</a>	KIT, BRAKE PAD, DUAL BORE [INCL. 2 PADS]	1

# CHASSIS, CAB FRAME

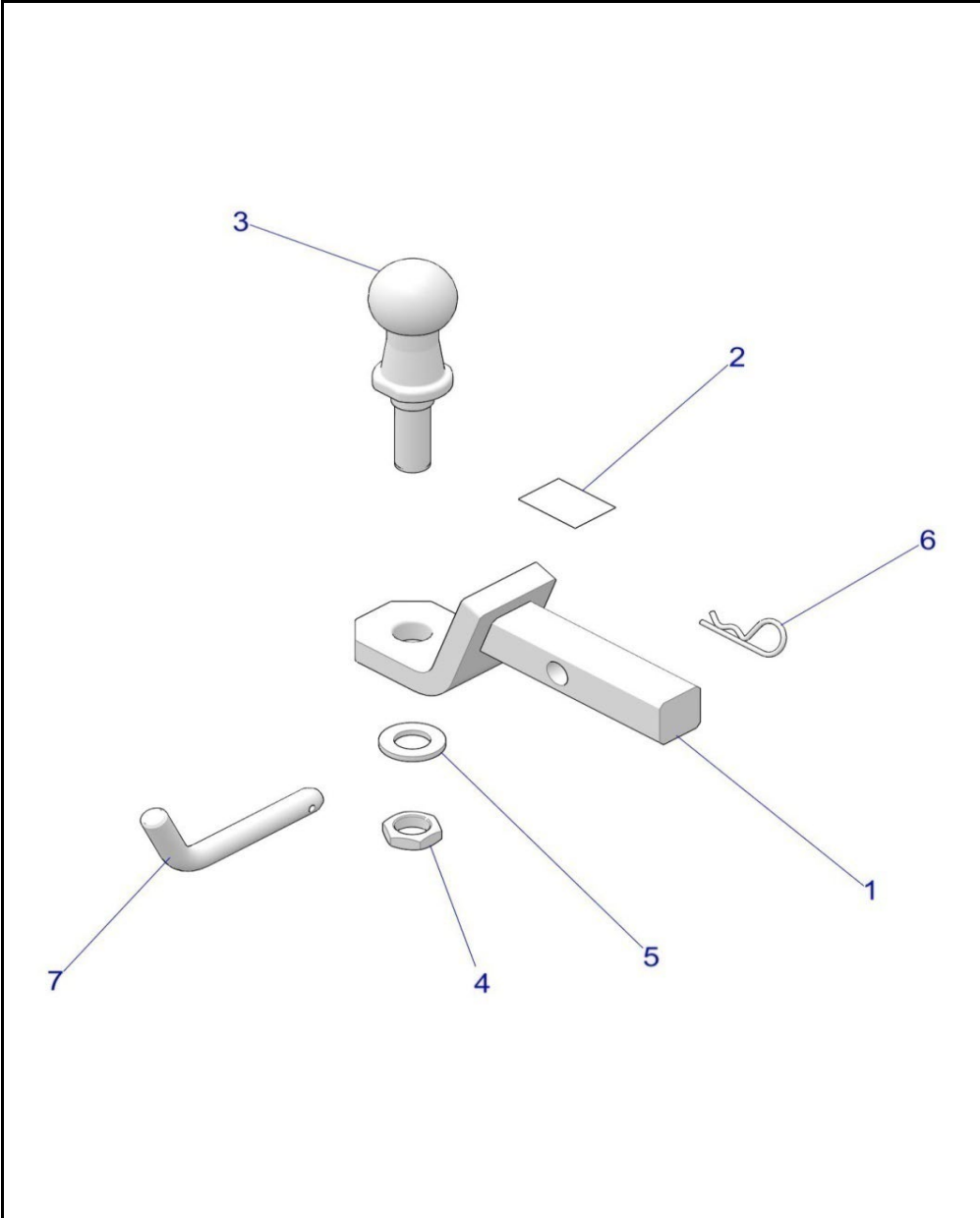
2022 RZR TRAIL S 1000 EPS EU/TRACTOR (R02) - Z22ASE99F4/F5/S99C4/C5



POS	SAP	Part Name	Qty
1	<a href="#">1045628</a>	WELD-ROPS,A PILLAR,BLK	1
2	<a href="#">1001506</a>	WELD-BOLSTER,LH,M.BLK	1
3	<a href="#">1001507</a>	WELD-BOLSTER,RH,M.BLK	1
4	<a href="#">1045629</a>	WELD-ROPS,B PILLAR,EU,BLK	1
5	<a href="#">1045630</a>	WELD-ROPS,B-C PILLAR,LH,EU,BLK	1
6	<a href="#">1045631</a>	WELD-ROPS,B-C PILLAR,RH,EU,BLK	2
7	<a href="#">1014470</a>	SCR-HXFL-M10X1.5X45 10.9 RIE	8
7	<a href="#">1014470</a>	SCR-HXFL-M10X1.5X45 10.9 RIE	8
8	<a href="#">1039793</a>	NUT-HEX-M10X1.5 10 ZB3 NYL	8
8	<a href="#">1039793</a>	NUT-HEX-M10X1.5 10 ZB3 NYL	8
9	<a href="#">1039670</a>	BOLT-M8X1.25X20,HXHDFLG,W/PTCH	6
9	<a href="#">1039670</a>	BOLT-M8X1.25X20,HXHDFLG,W/PTCH	6
10	<a href="#">1040241</a>	SCR-HXFL-M8X1.25X55 8.8 ZB	2
11	<a href="#">1039790</a>	NUT-M8X1.25,FLG,NYLOC-OLIVE D	2
12	<a href="#">1014471</a>	SCR-HXFL-M10X1.25X55 10.9 RIE	8
13	<a href="#">1014500</a>	NUT-M10X1.25, FLG, NYLOC-OLIVE D	8
14	<a href="#">1014499</a>	NUT- M8X1.25, FLG, NYLOC-OLIVE D	4
15	<a href="#">1045632</a>	RETAINER-TUBE, ROPS	2
16	<a href="#">1014459</a>	SCR-TXTH-M6X1.0X25 ZFB [C5][C4]	2
17	<a href="#">1045633</a>	TRIM-EDGE,SCRM,17CM [C5][C4]	2
18	<a href="#">1045634</a>	PAD-STRAP,120X590 [C5][C4]	1

# CHASSIS, HITCH

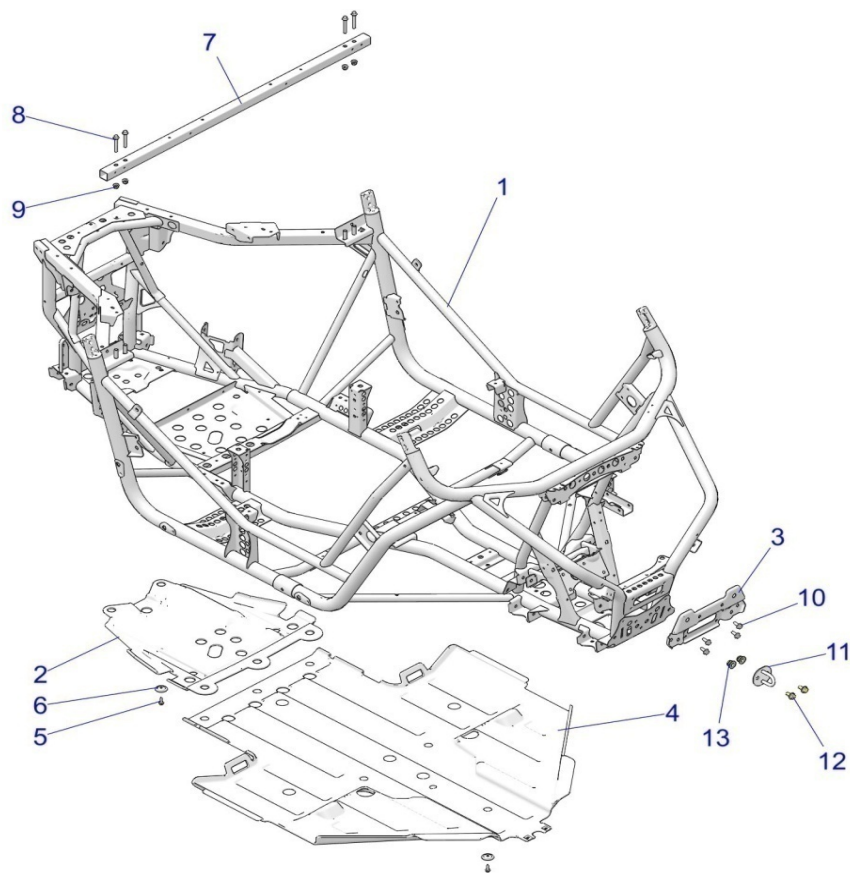
2022 RZR TRAIL S 1000 EPS EU/TRACTOR (R02) - Z22ASE99F4/F5/S99C4/C5



POS	SAP	Part Name	Qty
1	<a href="#">1045635</a>	ASM-HITCH WELD,REG 55,TRC [INCL. 1-7]	1
1	<a href="#">1045636</a>	WELD-HITCH,DRAWBAR,M.BLK	1
2	<a href="#">1040146</a>	DECAL-HITCH,ATV,CERTIFD,REG55	1
3	<a href="#">1040148</a>	K-BALL,REAR,TRC/ZUG,R55 [INCL. 3-5]	1
3	<a href="#">1040149</a>	HITCH-BALL,REG 55,ATV,TRC/ZUG	1
4	<a href="#">1040239</a>	NUT-HEX,M20X1.5X10	1
5	<a href="#">1040151</a>	WASHER-3/4IN,HARDENED	1
6	<a href="#">1040152</a>	CLIP-HITCHPIN .148X3 1/16	1
7	<a href="#">1040153</a>	PIN, CLEVIS, BOX LIFT 2"	1

## CHASSIS, MAIN FRAME AND SKID PLATE

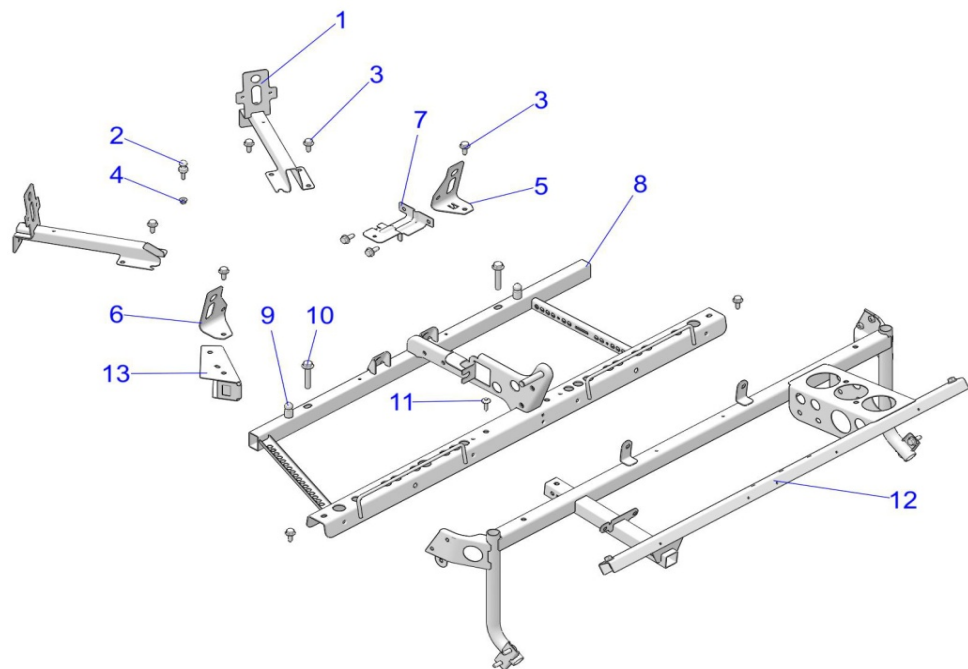
2022 RZR TRAIL S 1000 EPS EU/TRACTOR (R02) - Z22ASE99F4/F5/S99C4/C5



POS	SAP	Part Name	Qty
1	<a href="#">1045637</a>	WELD-MAIN FRAME,BLK	1
2	<a href="#">1045638</a>	PLATE-SKID,REAR,BLK	1
3	<a href="#">1029999</a>	BRACKET, SUSPENSION, MOUNT, FRONT, MATTE BLACK	1
4	<a href="#">1045639</a>	PLATE-SKID,BLK	1
5	<a href="#">1039683</a>	SCR-M6X1.0X20, HXHD, FLG, TDFM, BK	10
6	<a href="#">1039802</a>	WASHER, PLATE, SKID	10
7	<a href="#">1045640</a>	ASM-TUBE,TOP FRAME,ECOAT	1
8	<a href="#">1040247</a>	SCR-M8X1.25X55,HX/FL-Y	4
9	<a href="#">1014499</a>	NUT- M8X1.25, FLG, NYLOC-OLIVE D	4
10	<a href="#">1039688</a>	SCR-TFHFL-M8X1.25X20 CHS ZOD	AR
11	<a href="#">1040254</a>	WELD-TOW HOOK,BLK [C5][C4]	1
12	<a href="#">1039718</a>	SCR-M12X1.75X25 8.8 HXFL ZOD [C5][C4]	2
13	<a href="#">1040256</a>	NUT-HXFL M12X1.75 8 ZOD NYL [C5][C4]	2

## CHASSIS, MAIN FRAME MOUNTS

2022 RZR TRAIL S 1000 EPS EU/TRACTOR (R02) - Z22ASE99F4/F5/S99C4/C5

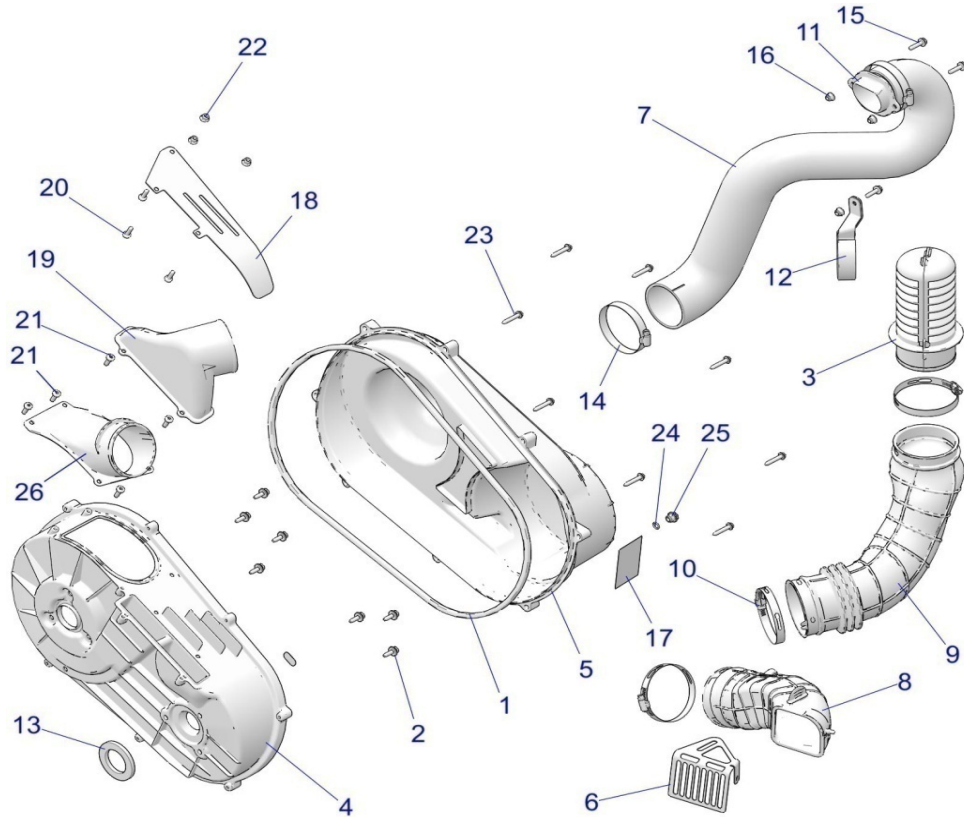


POS	SAP	Part Name	Qty
1	<a href="#">1040249</a>	MOUNT, BODY, MATTE BLACK	2
2	<a href="#">1039506</a>	PLUNGER, BOX, LATCH	1
3	<a href="#">1039688</a>	SCR-TFHFL-M8X1.25X20 CHS ZOD	AR
3	<a href="#">1039688</a>	SCR-TFHFL-M8X1.25X20 CHS ZOD	AR
4	<a href="#">1039784</a>	NUT-M6X1.0, FLG-NYLOC-OLIVE D	1
5	<a href="#">1040250</a>	TIEDOWN, FRONT, LH, MATTE BLACK	1
6	<a href="#">1040251</a>	TIEDOWN,FRONT,RH,BLK	1
7	<a href="#">1040252</a>	MOUNT, COIL, MATTE BLACK	1
8	<a href="#">1040253</a>	WELD-SEAT BASE,BLK	1
9	<a href="#">1045134</a>	LATCH, PLUNGER, SEAT	2
10	<a href="#">1039673</a>	SCR-HXFL-M10X1.5X55 8.8 ZY3	2
11	<a href="#">1014459</a>	SCR-TXTH-M6X1.0X25 ZFB	2
12	<a href="#">1045133</a>	WELD-DASH,TURBO,S,ECOAT	1
13	<a href="#">1045641</a>	SHIELD-BOX MOUNT	1



# DRIVE TRAIN, CLUTCH COVER AND DUCTING

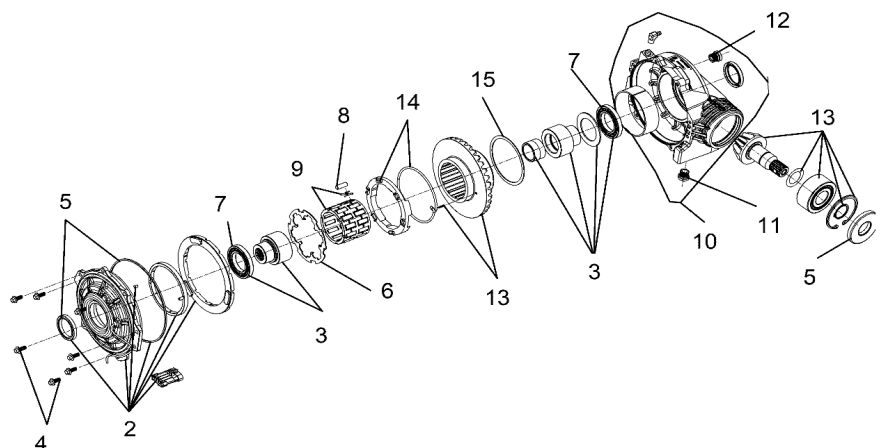
2022 RZR TRAIL S 1000 EPS EU/TRACTOR (R02) - Z22ASE99F4/F5/S99C4/C5



POS	SAP	Part Name	Qty
1	<a href="#">1045139</a>	SEAL, COVER, CLUTCH, OUTER	1
2	<a href="#">1014451</a>	SCR-TFHFL-M6X1.0X20 S/R ZOD	7
3	<a href="#">1040257</a>	ASM., INTAKE, CLUTCH DUCT	1
4	<a href="#">1040261</a>	ASM., COVER, CLUTCH, INNER [INCL. 18-22,26]	1
5	<a href="#">1045642</a>	K-CVR,CLUTCH,OTR,GENERAL [INCL. 6,7,17]	1
6	<a href="#">1040263</a>	BRACKET, SCREEN, BELT	1
7	<a href="#">1045643</a>	HOSE-CLUTCH INTAKE,SP	1
8	<a href="#">1040264</a>	HOSE, CLUTCH, AIR OUTLET	1
9	<a href="#">1040265</a>	HOSE, CLUTCH, AIR INLET	1
10	<a href="#">1040260</a>	CLAMP, HOSE SLOTTED, 89-100 DIA	3
11	<a href="#">1039578</a>	BOOT, PLASTIC, INTAKE	1
12	<a href="#">1045644</a>	CLAMP-P,LARGE	1
13	<a href="#">1034416</a>	SEAL, COVER, PTO	1
14	<a href="#">1039623</a>	CLAMP,HOSE,3.75,SS	2
15	<a href="#">1039684</a>	BOLT, HEXHEAD, FLANGE, BLACK	3
16	<a href="#">1039784</a>	NUT-M6X1.0, FLG-NYLOC-OLIVE D	3
17	<a href="#">1039641</a>	DECAL-BELT,WARNING/CHECK	1
18	<a href="#">1039513</a>	BRACKET, GUARD, CLUTCH COVER	1
19	<a href="#">1040262</a>	DUCT, CLUTCH, AIR INLET	1
20	<a href="#">1039685</a>	SCR-M6X1.0X20MM,TX,PH,8.8-B	3
21	<a href="#">1039734</a>	SCR-#14X3/4 HI/LO-PH-PN TRX-M	5
21	<a href="#">1039734</a>	SCR-#14X3/4 HI/LO-PH-PN TRX-M	5
22	<a href="#">1039789</a>	NUT-HXFL-M6X1.0 8 ZB3 NYL	3
23	<a href="#">1039748</a>	SCREW-NXFL-M6X35 ZOD HILO	8
24	<a href="#">1039532</a>	O-RING, MOLDED Substituted by 5411432	1
25	<a href="#">1011827</a>	PLUG, DRAIN, CLUTCH COVER	1
26	<a href="#">1045140</a>	DUCT, CLUTCH, AIR OUTLET	1

## DRIVE TRAIN, FRONT GEARCASE

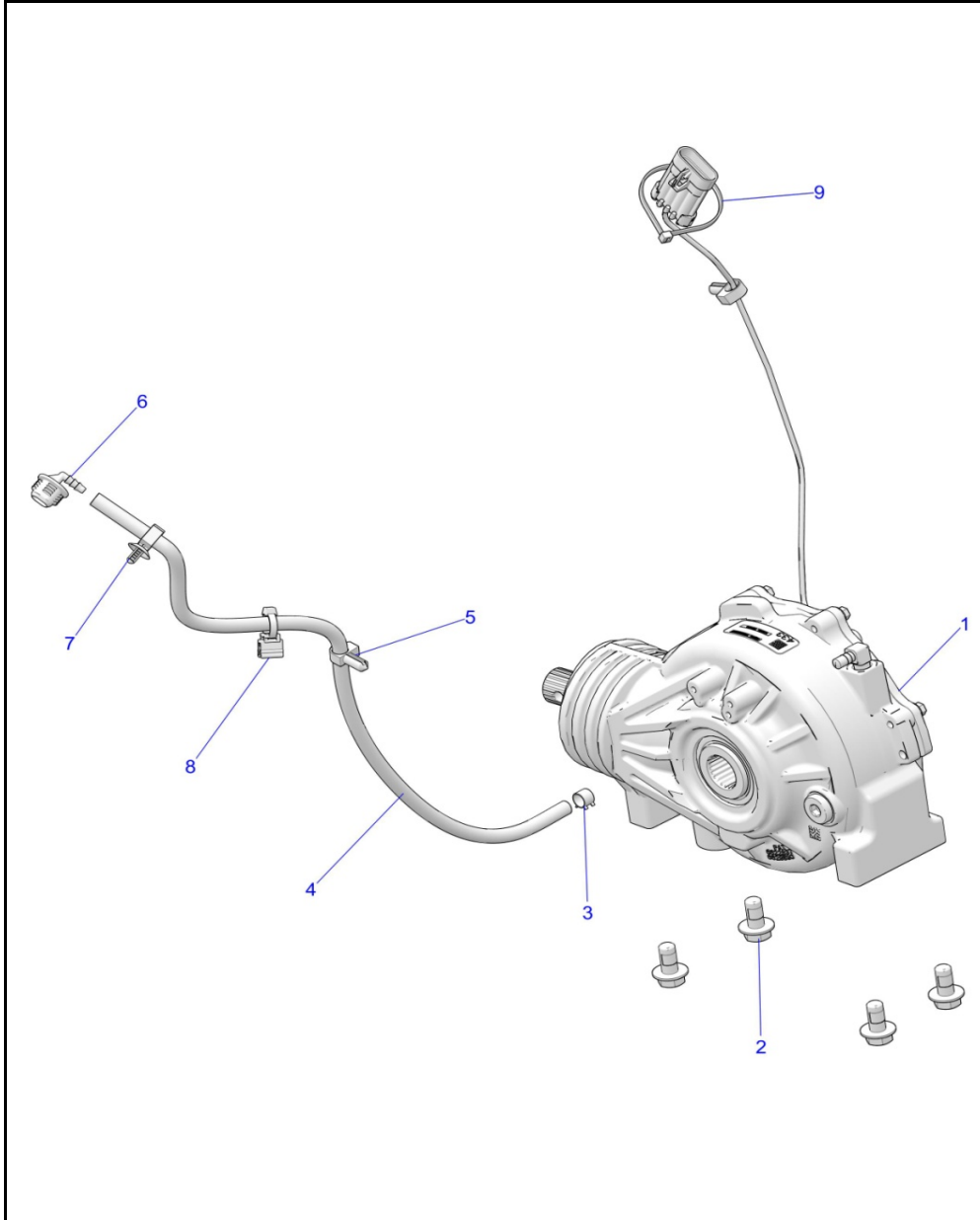
2022 RZR TRAIL S 1000 EPS EU/TRACTOR (R02) - Z22ASE99F4/F5/S99C4/C5



POS	SAP	Part Name	Qty
1	<a href="#">1045141</a>	ASM-GEARCASE,FRONT [INCL. ALL]	1
2	<a href="#">1045645</a>	ASM., COVER OUTPUT	1
3	<a href="#">1045144</a>	ASM., OUTPUT HUB	1
3	<a href="#">1045144</a>	ASM., OUTPUT HUB	1
4	<a href="#">1039461</a>	KIT, COVER FASTENERS [INCL. 7 FASTENERS]	1
5	<a href="#">1033156</a>	COMPLETE SEAL REPAIR	1
5	<a href="#">1033156</a>	COMPLETE SEAL REPAIR	1
6	<a href="#">1039476</a>	PLATE, ARMATURE, 4WD	1
7	<a href="#">1045647</a>	BEARING, PINION	1
7	<a href="#">1045647</a>	BEARING, PINION	1
8	<a href="#">1039462</a>	KIT, CLUTCH, ROLLERS [INCL. FULL ROLLER SET OF 24]	1
9	<a href="#">1045648</a>	ASM., ROLLER CAGE [INCL. ROLL CAGE AND 24 H-CLIPS]	1
10	<a href="#">1045649</a>	ASM., GEARCASE	1
11	<a href="#">1005147</a>	KIT, PLUG, DRAIN	1
12	<a href="#">1005148</a>	KIT, PLUG, FILL	1
13	<a href="#">1045147</a>	ASM-GEAR HOUSING & PINION	1
13	<a href="#">1045147</a>	ASM-GEAR HOUSING & PINION	1
14	<a href="#">1039464</a>	Kit, Torsion Spring & Retainer	1
15	<a href="#">1039439</a>	Spacer, Ring, Gear	1

## DRIVE TRAIN, FRONT GEARCASE MOUNTING

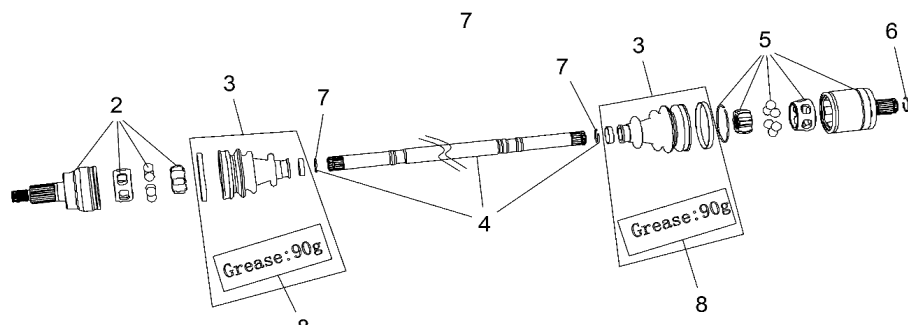
2022 RZR TRAIL S 1000 EPS EU/TRACTOR (R02) - Z22ASE99F4/F5/S99C4/C5



POS	SAP	Part Name	Qty
1	<a href="#">1040163</a>	ASM., GEARCASE, FRONT	1
2	<a href="#">1039672</a>	SCR-HXFL-M10X1.5X20 8.8 Z NYL	4
3	<a href="#">1039613</a>	Clamp, Hose, Large, Green	1
4	<a href="#">1045148</a>	LINE-BOOST,3/16 ID,85 CM	1
5	<a href="#">1039816</a>	CLIP-SILENCER BOX-C,98 INDY [C5,C4 QTY. 1]	2
6	<a href="#">1045149</a>	FITTING-VENT LINE,90	1
7	<a href="#">1039817</a>	CLIP, ROUTING, .472 B.D., HINGED	1
8	<a href="#">1040381</a>	CLIP, EDGE, HARNESS	1
9	<a href="#">1039612</a>	PANDUIT STRAP	1

# DRIVE TRAIN, FRONT HALF SHAFT

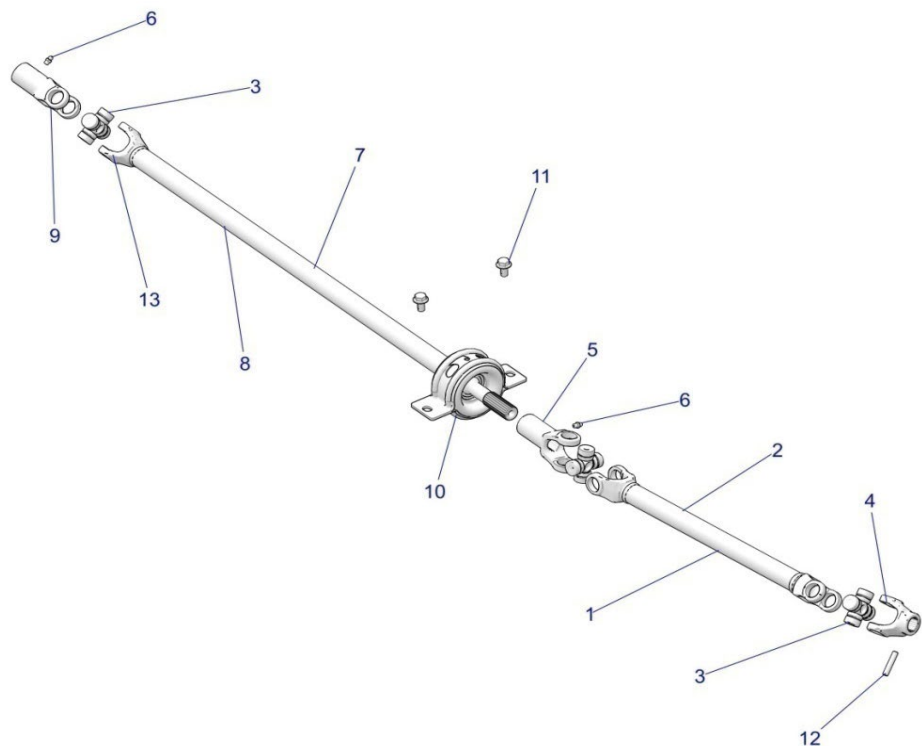
2022 RZR TRAIL S 1000 EPS EU/TRACTOR (R02) - Z22ASE99F4/F5/S99C4/C5



POS	SAP	Part Name	Qty
1	<a href="#">1045650</a>	ASM., HALFSHAFT, FRONT, 60 [INCL. ALL]	2
2	<a href="#">1007485</a>	JOINT, OUTER	1
3	<a href="#">1045154</a>	KIT-BOOT,PLUNGING JNT(PR-8062)	2
3	<a href="#">1045154</a>	KIT-BOOT,PLUNGING JNT(PR-8062)	2
4	<a href="#">1007486</a>	BAR	1
5	<a href="#">1005166</a>	ASM-INNER JOINT	1
6	<a href="#">1045651</a>	CIRCLIP-1.6X24.4,PR-2025	1
7	<a href="#">1045155</a>	CIRCLIP-1.8X22.2(PR-3011)	2
7	<a href="#">1045155</a>	CIRCLIP-1.8X22.2(PR-3011)	2
7	<a href="#">1045155</a>	CIRCLIP-1.8X22.2(PR-3011)	2
8	<a href="#">1040346</a>	GREASE(K575/VW738)	2
8	<a href="#">1040346</a>	GREASE(K575/VW738)	2

# DRIVE TRAIN, FRONT PROP SHAFT

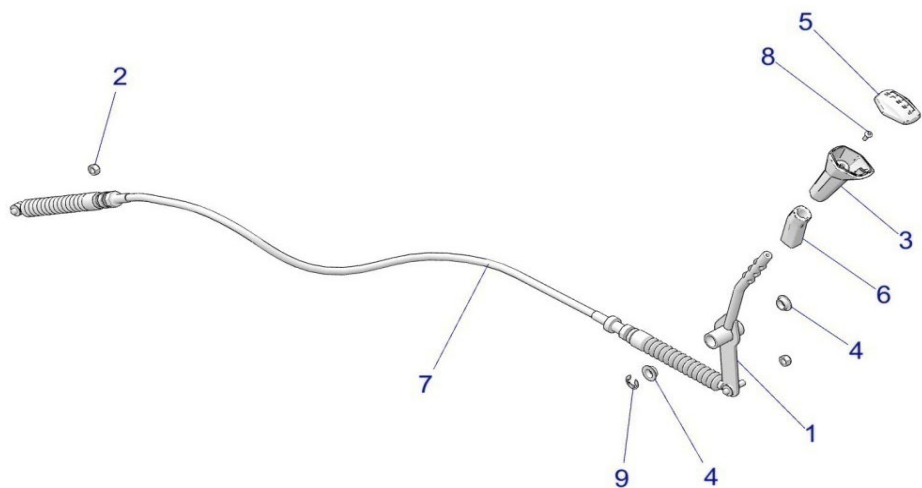
2022 RZR TRAIL S 1000 EPS EU/TRACTOR (R02) - Z22ASE99F4/F5/S99C4/C5



POS	SAP	Part Name	Qty
1	<a href="#">1040295</a>	ASM., PROPSHAFT, FRONT [INCL. 2-6, QTY 2 of REF. 13]	1
2	<a href="#">1040296</a>	PROPSHAFT, FRONT	1
3	<a href="#">1007461</a>	U-JOINT, 1000 SERIES	3
3	<a href="#">1007461</a>	U-JOINT, 1000 SERIES	3
4	<a href="#">1040297</a>	YOKE, PIN	1
5	<a href="#">1040298</a>	YOKE, SLIP, INDEXED	1
6	<a href="#">1039615</a>	FITTING-LUBRICATION 1/4-28	2
6	<a href="#">1039615</a>	FITTING-LUBRICATION 1/4-28	2
7	<a href="#">1040299</a>	ASM., PROPSHAFT, REAR [INCL. QTY 1 of REF. 3,6-10, QTY 1 of REF. 13]	1
8	<a href="#">1040300</a>	PROPSHAFT, REAR	1
9	<a href="#">1040301</a>	YOKE, SLIP	1
10	<a href="#">1033795</a>	ASM., BEARING, FLEX	1
11	<a href="#">1039672</a>	SCR-HXFL-M10X1.5X20 8.8 Z NYL	2
12	<a href="#">1039810</a>	PIN-SPRING,5/16 X 1 5/8-Y	1
13	<a href="#">1045652</a>	YOKE, WELD	4

## DRIVE TRAIN, GEAR SELECTOR

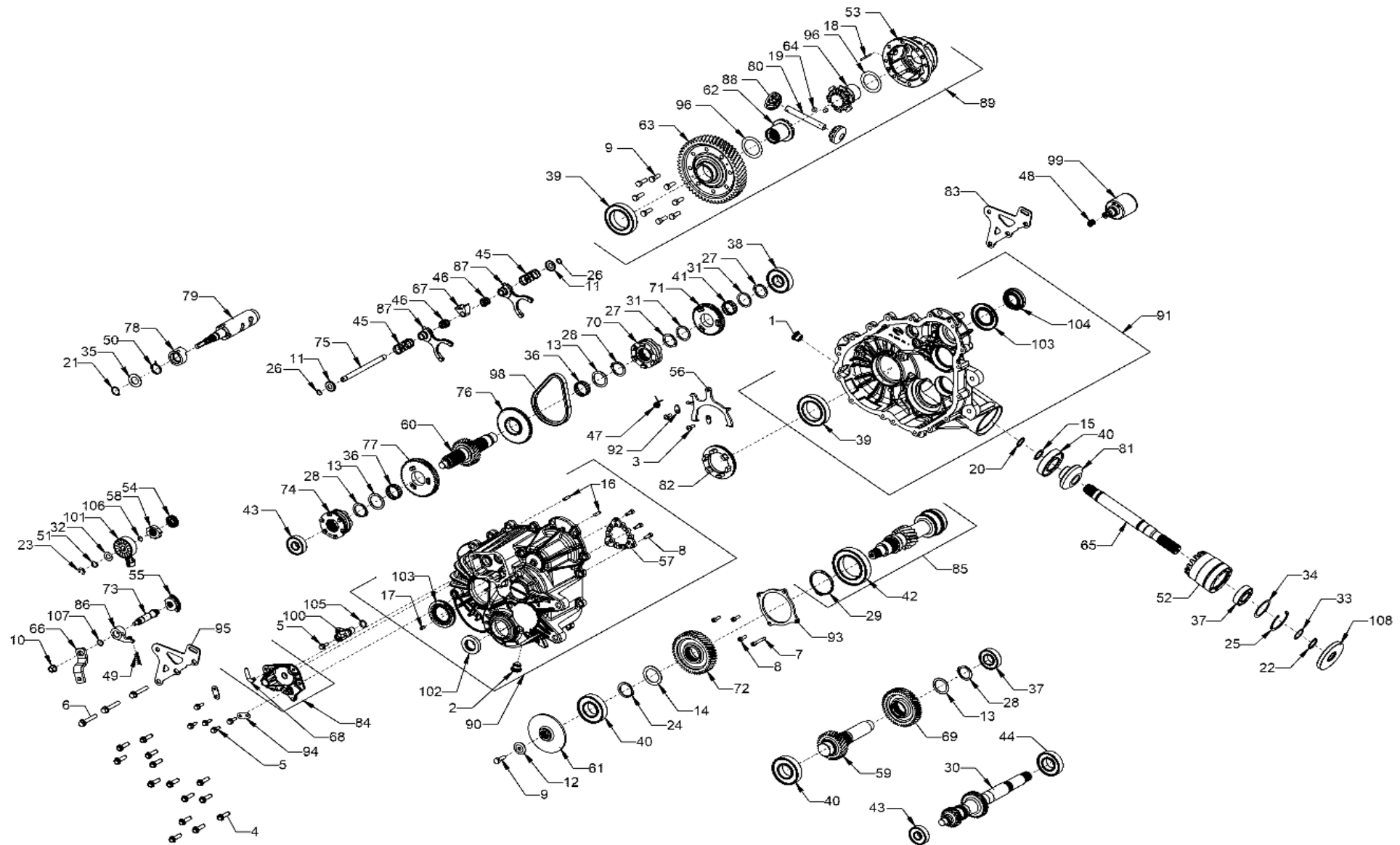
2022 RZR TRAIL S 1000 EPS EU/TRACTOR (R02) - Z22ASE99F4/F5/S99C4/C5



POS	SAP	Part Name	Qty
1	<a href="#">1039364</a>	WELD-SHIFT LEVER	1
2	<a href="#">1039779</a>	NUT,NYLOCK M8X1.25(10)	2
3	<a href="#">1011805</a>	KNOB, GEAR SELECTOR, SHIFT	1
4	<a href="#">1039567</a>	BUSHING, PEDAL, PIVOT	2
4	<a href="#">1039567</a>	BUSHING, PEDAL, PIVOT	2
5	<a href="#">1011892</a>	COVER, SHIFT	1
6	<a href="#">1039580</a>	SPACER, BOOT	1
7	<a href="#">1014075</a>	CABLE, SHIFT [TO 2/21/2022]	1
7	<a href="#">1045653</a>	CABLE-SHIFT INTL [FROM 2/21/2022]	1
8	<a href="#">1039654</a>	SCR-#10-24X1/2PH/TORX-TRIRD-Y	1
9	<a href="#">1039821</a>	RING-RETAINING, "E",EXT., .500	1

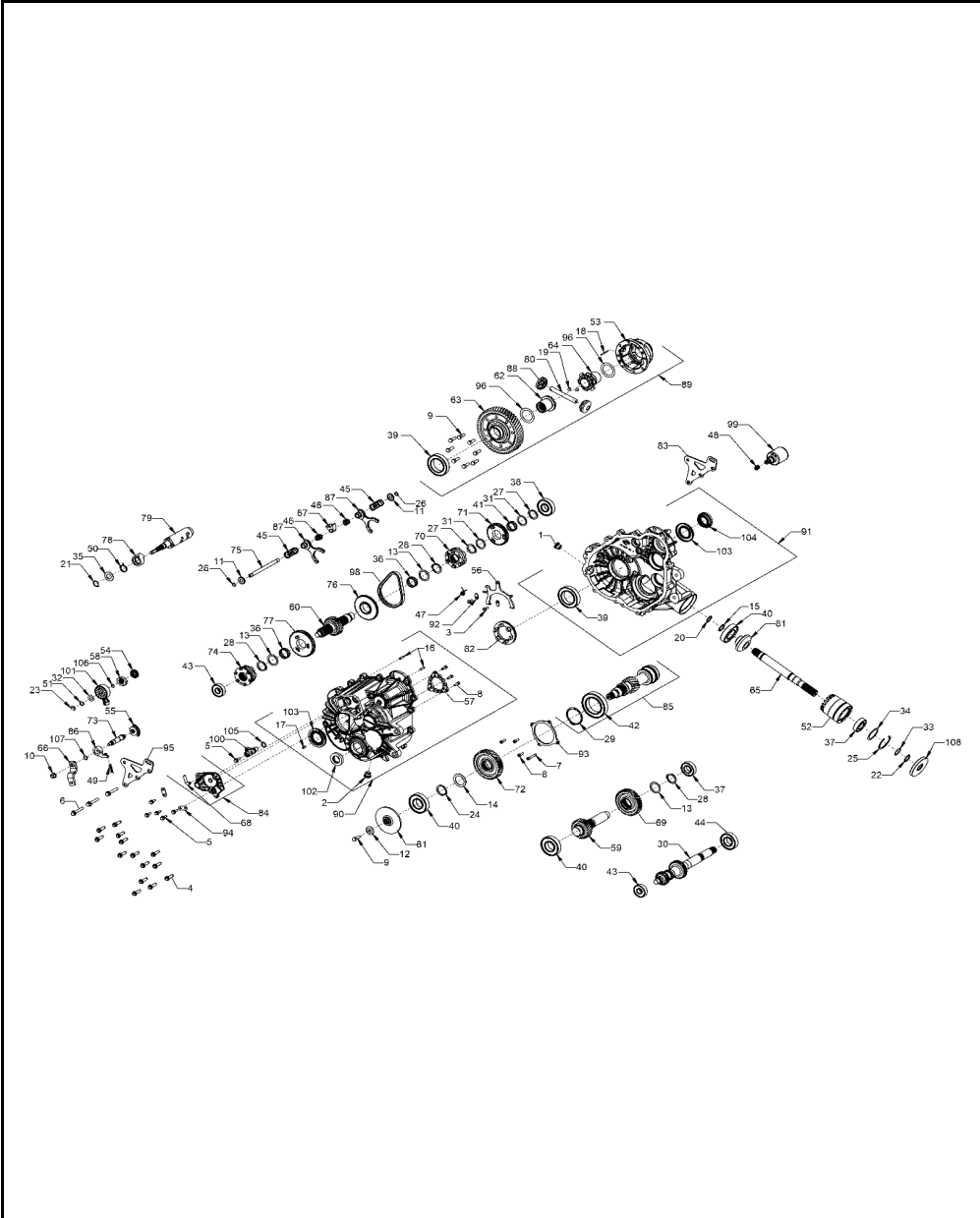
# DRIVE TRAIN, MAIN GEARCASE INTERNALS

2022 RZR TRAIL S 1000 EPS EU/TRACTOR (R02) - Z22ASE99F4/F5/S99C4/C5



# DRIVE TRAIN, MAIN GEARCASE INTERNALS

2022 RZR TRAIL S 1000 EPS EU/TRACTOR (R02) - Z22ASE99F4/F5/S99C4/C5

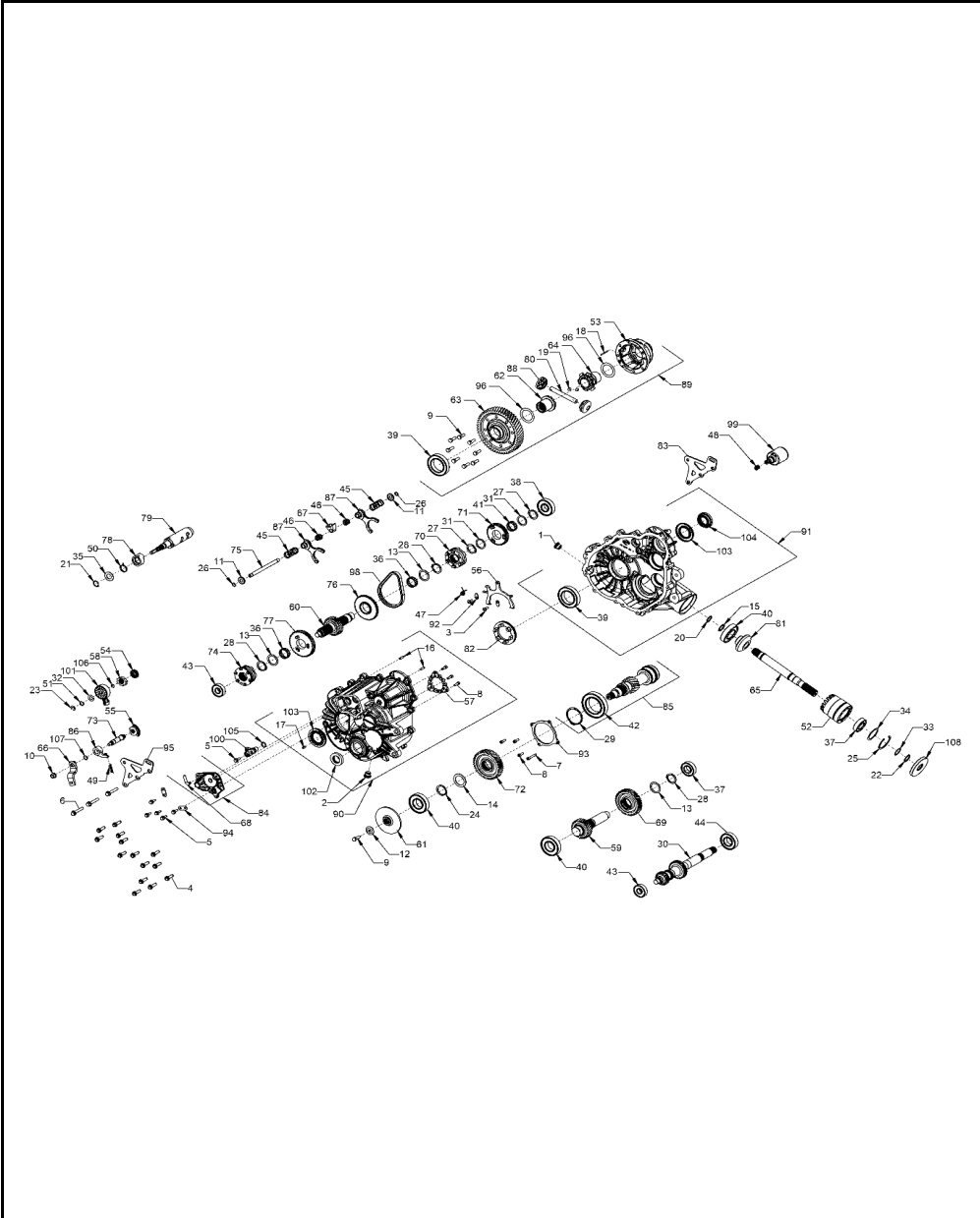


POS	SAP	Part Name	Qty
-	<a href="#">1045671</a>	ASM-GEARCASE,COMPLETE,DIFF,PB [INCL. ALL]	1
1	<a href="#">1034629</a>	PLUG, SOCKET HEAD	1
2	<a href="#">1007449</a>	PLUG, SOCKET HEAD W/MAGNET	1
3	<a href="#">1040304</a>	SCREW, 6-LOBE, PAN HD M6 X 1 X 16	2
4	<a href="#">1039441</a>	SCREW, HEX FLANGE HEAD, M8 X 1.25 X 30	14
5	<a href="#">1039443</a>	SCREW, HEX FLANGE HEAD, M6 X 1 X 20	6
5	<a href="#">1039443</a>	SCREW, HEX FLANGE HEAD, M6 X 1 X 20	6
6	<a href="#">1039444</a>	SCREW, HEX FLANGE M8 X 50	3
7	<a href="#">1039445</a>	SCREW, SOCKET HEAD, CAP, M6 X 1.0 X 40	1
8	<a href="#">1039458</a>	SCREW, SOCKET HEAD, CAP, M6 X 1.0 X 18	3
8	<a href="#">1039458</a>	SCREW, SOCKET HEAD, CAP, M6 X 1.0 X 18	3
9	<a href="#">1045656</a>	SCREW, CAP HH M8 X 1.25 X 25	9
9	<a href="#">1045656</a>	SCREW, CAP HH M8 X 1.25 X 25	9
10	<a href="#">1039446</a>	NUT, LOCK HEX FLANGE, NYLON M8 X 1.25	1
11	<a href="#">1039308</a>	WASHER, CUP	2
11	<a href="#">1039308</a>	WASHER, CUP	2
12	<a href="#">1040307</a>	WASHER, BELLEVILLE 42140 X 1.25 X 0.09	1
13	<a href="#">1039447</a>	WASHER-32.3X42X1.5(115288)	3
13	<a href="#">1039447</a>	WASHER-32.3X42X1.5(115288)	3
13	<a href="#">1039447</a>	WASHER-32.3X42X1.5(115288)	3
14	<a href="#">1007454</a>	WASHER-35.6X57X1.5(115289)	1
15	<a href="#">1045163</a>	WASHER, 22.5 X 30 X 1.5	1
16	<a href="#">1039438</a>	PIN, DOWEL, 6 X 20	2
17	<a href="#">1039604</a>	PIN, SPRING, SLOTTED 6 X 12	1
18	<a href="#">1045657</a>	PIN, DOWEL 3 X 40	1
19	<a href="#">1045658</a>	PIN, DOWEL 8 X 10	2
20	<a href="#">1045164</a>	RING, RETAINING BASIC EXTERNAL	1
21	<a href="#">1039310</a>	RING, RETAINING BASIC, EXTERNAL 0.75	1
22	<a href="#">1039421</a>	RING, RETAINING BASIC, EXTERNAL 0.984	1



# DRIVE TRAIN, MAIN GEARCASE INTERNALS

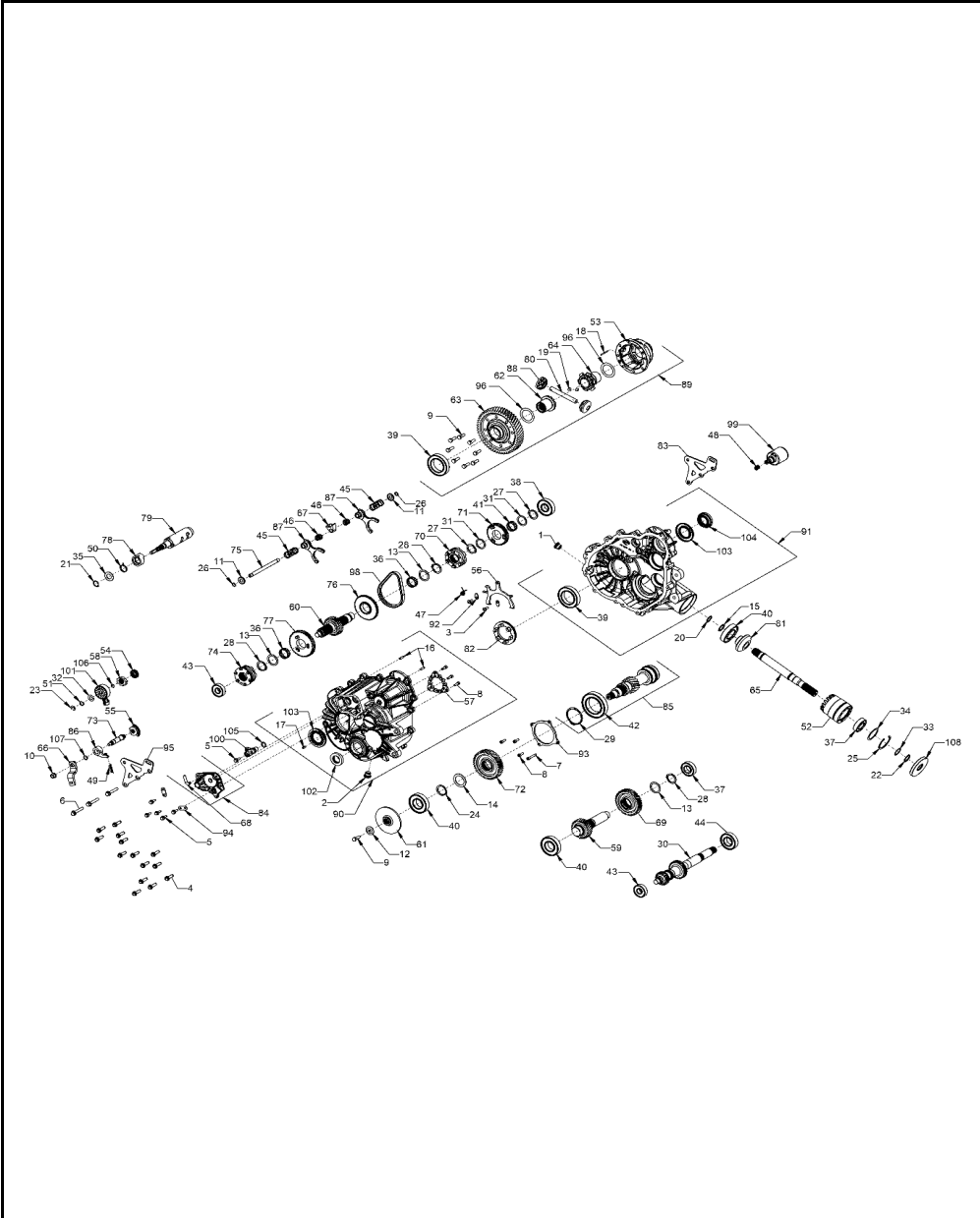
2022 RZR TRAIL S 1000 EPS EU/TRACTOR (R02) - Z22ASE99F4/F5/S99C4/C5



POS	SAP	Part Name	Qty
23	<a href="#">1039426</a>	RING, RETAINING BASIC EXTERNAL	1
24	<a href="#">1007433</a>	RING, RETAINING, SHAFT, DIA. 1.375	1
25	<a href="#">1039432</a>	RING, RETAINING BASIC, INTERNAL 2.047	1
26	<a href="#">1039428</a>	RING, RETAINING BASIC, EXTERNAL 0.428	2
26	<a href="#">1039428</a>	RING, RETAINING BASIC, EXTERNAL 0.428	2
27	<a href="#">1039430</a>	RING, RETAINING,	2
27	<a href="#">1039430</a>	RING, RETAINING,	2
28	<a href="#">1039451</a>	RING, RETAINING BASIC, EXTERNAL MSR-32	3
28	<a href="#">1039451</a>	RING, RETAINING BASIC, EXTERNAL MSR-32	3
28	<a href="#">1039451</a>	RING, RETAINING BASIC, EXTERNAL MSR-32	3
29	<a href="#">1039311</a>	RING-RETAIN,VSH-237(130298)	1
30	<a href="#">1040308</a>	SHAFT, BOSS, LOWER, INPUT	1
31	<a href="#">1039423</a>	WASHER, THRUST, 1.187 X 1.500 X .0600	2
31	<a href="#">1039423</a>	WASHER, THRUST, 1.187 X 1.500 X .0600	2
32	<a href="#">1039440</a>	WASHER, THRUST, 0.446 X 0.88 X 0.025	1
33	<a href="#">1039433</a>	SHIM, 1.180 OD X 0.995 ID	1
34	<a href="#">1039434</a>	SHIM, 2.040 OD X 1.63 ID	1
35	<a href="#">1039312</a>	SPACER, 19.4 X 34.0 X 2.0	1
36	<a href="#">1039419</a>	BEARING, NEEDLE, CAGE ASSY	2
36	<a href="#">1039419</a>	BEARING, NEEDLE, CAGE ASSY	2
37	<a href="#">1007432</a>	BEARING, BALL 6205 C3 25 X 52 X 15	2
37	<a href="#">1007432</a>	BEARING, BALL 6205 C3 25 X 52 X 15	2
38	<a href="#">1039313</a>	BEARING, BALL, 6305 C3, 25 X 62 X 17	1
39	<a href="#">1039314</a>	BEARING, BALL 6010 C3 50 X 80 X 10	2
39	<a href="#">1039314</a>	BEARING, BALL 6010 C3 50 X 80 X 10	2
40	<a href="#">1007437</a>	BEARING, BALL 6207 C3 35MMX72MMX17MM	3
40	<a href="#">1007437</a>	BEARING, BALL 6207 C3 35MMX72MMX17MM	3
40	<a href="#">1007437</a>	BEARING, BALL 6207 C3 35MMX72MMX17MM	3
41	<a href="#">1039424</a>	BEARING-NEEDLE,30X35X13-CAGED	1

# DRIVE TRAIN, MAIN GEARCASE INTERNALS

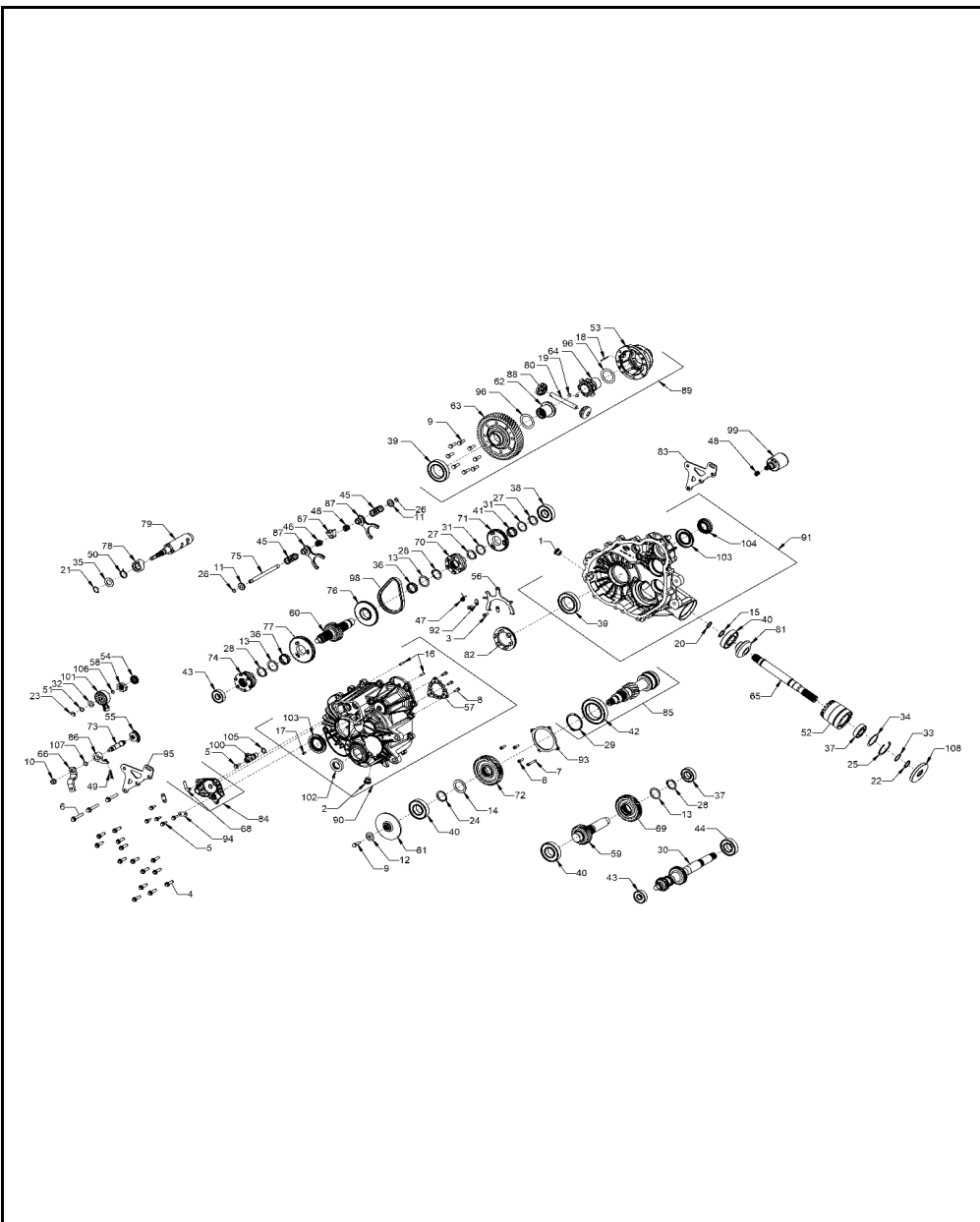
2022 RZR TRAIL S 1000 EPS EU/TRACTOR (R02) - Z22ASE99F4/F5/S99C4/C5



POS	SAP	Part Name	Qty
42	<a href="#">1039309</a>	BEARING, BALL, 6012 C3 60 X 95 X 18	1
43	<a href="#">1007445</a>	BEARING, BALL 6303, 17 X 47 X 14	2
43	<a href="#">1007445</a>	BEARING, BALL 6303, 17 X 47 X 14	2
44	<a href="#">1007460</a>	BEARING, BALL 6206RSH2 STD 30 X 62 X 16	1
45	<a href="#">1039291</a>	SPRING, COMPRESSION, .92 O.D. X 2.000	2
45	<a href="#">1039291</a>	SPRING, COMPRESSION, .92 O.D. X 2.000	2
46	<a href="#">1039292</a>	SPRING, COMPRESSION, 0.46 I.D. X 0.73	2
46	<a href="#">1039292</a>	SPRING, COMPRESSION, 0.46 I.D. X 0.73	2
47	<a href="#">1040313</a>	SPRING, TORSION, RETURN	1
48	<a href="#">1040314</a>	SPRING, COMPRESSION 0.54 O.D. X 0.44 I.D. X 0.05 WIRE	1
49	<a href="#">1007444</a>	SPRING, COMPRESSION 0.36 O.D. X 1.125	1
50	<a href="#">1039293</a>	SPRING, TORSION	1
51	<a href="#">1039456</a>	WASHER-SPRING,210393	1
52	<a href="#">1039435</a>	TUBE, SNORKEL MACHINED	1
53	<a href="#">1045659</a>	CARRIER, DIFFERENTIAL MACH	1
54	<a href="#">1039294</a>	GEAR, SECTOR, 16T	1
55	<a href="#">1039295</a>	SWITCH, ROTARY, 6 PIN	1
56	<a href="#">1040315</a>	FORK, PIVOT SHIFT, REAR DIFF	1
57	<a href="#">1039296</a>	PLATE, PARK, 12 FACE	1
58	<a href="#">1039297</a>	STAR, DETENT,	1
59	<a href="#">1007455</a>	SHAFT-IDLER,29T(285803)	1
60	<a href="#">1040316</a>	SHAFT, REVERS,E 29T	1
61	<a href="#">1040317</a>	DISC, BRAKE	1
62	<a href="#">1045660</a>	GEAR, 14T OUTPUT, MACH	1
63	<a href="#">1045661</a>	GEAR, 53T OUTPUT	1
64	<a href="#">1045662</a>	GEAR, 14T OUTPUT DISCONNECT, MACH	1
65	<a href="#">1045165</a>	SHAFT, FRONT OUTPUT	1
66	<a href="#">1040318</a>	BELLCRANK, 92 DEG	1
67	<a href="#">1039300</a>	COLLAR, SHIFT,	1

## DRIVE TRAIN, MAIN GEARCASE INTERNALS

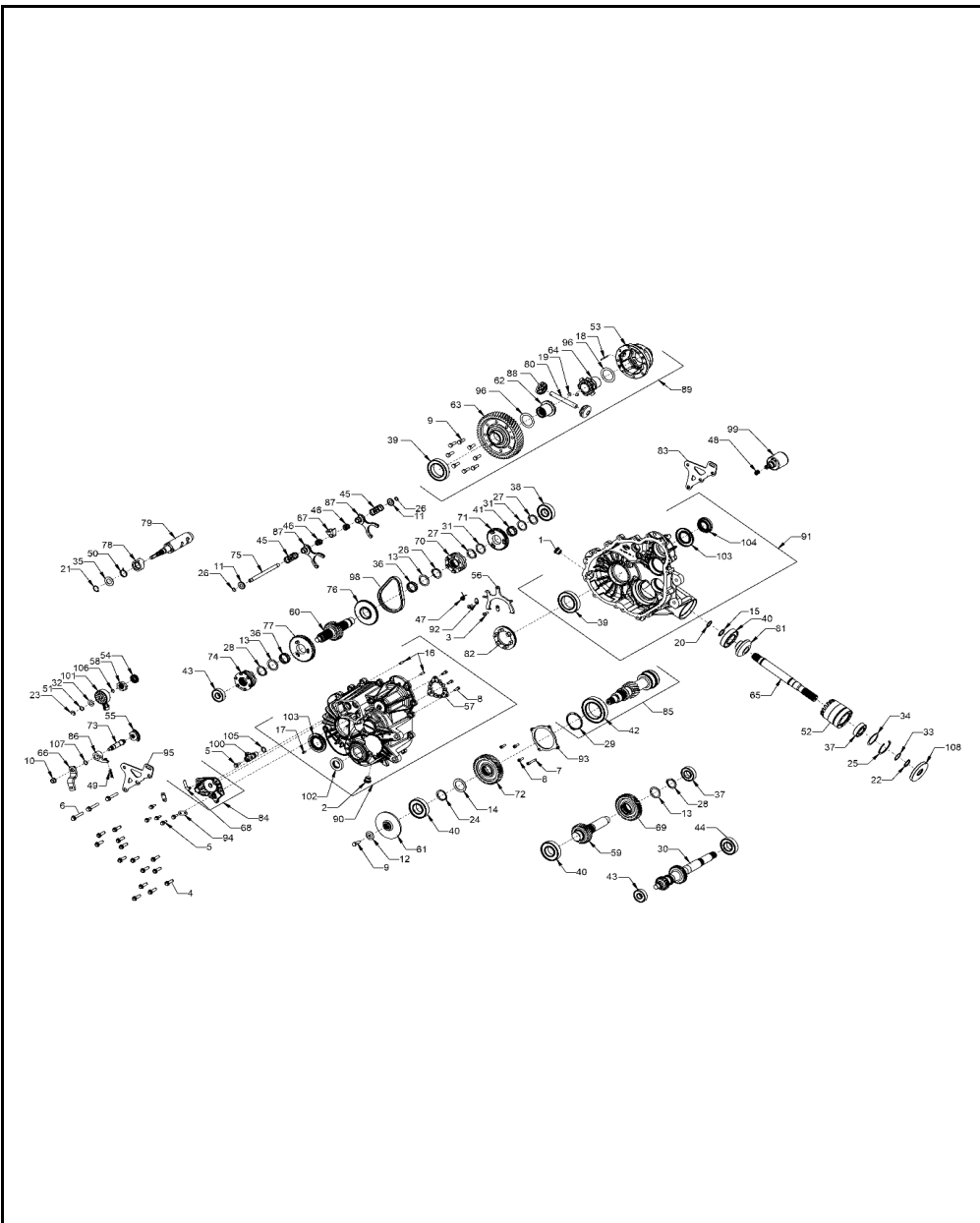
2022 RZR TRAIL S 1000 EPS EU/TRACTOR (R02) - Z22ASE99F4/F5/S99C4/C5



POS	SAP	Part Name	Qty
68	<a href="#">1039431</a>	TUBE, VENT 90 -1/4 INCH HOSE	1
69	<a href="#">1040320</a>	GEAR-44T,STAGE2(352842)	1
70	<a href="#">1039301</a>	ENGAGEMENT DOG,6-FACE(352857)	1
71	<a href="#">1039302</a>	GEAR-53T(352858)	1
72	<a href="#">1007456</a>	GEAR-46T,STAGE 3(352872)	1
73	<a href="#">1039455</a>	WELDMENT, REAR MOUNT BRACKET	1
74	<a href="#">1039303</a>	SHIFT DOG, PARK/LOW (353357)	1
75	<a href="#">1039304</a>	RAIL-SHIFT SHAFT(353622)	1
76	<a href="#">1007463</a>	SPROCKET-48T,6-FACE REVERSE	1
77	<a href="#">1040321</a>	GEAR, LOW 64T,	1
78	<a href="#">1039471</a>	CAM, PARK	1
79	<a href="#">1039472</a>	DRUM, SHIFT MACH,	1
80	<a href="#">1045663</a>	PIN, DIFFERENTIAL	1
81	<a href="#">1045166</a>	GEAR, 13T SNORKEL	1
82	<a href="#">1045664</a>	DOG, ENGAGEMENT	1
83	<a href="#">1040322</a>	WELDMENT REAR MOUNT BRACKET63 [INCL. ALL HARDWARE]	1
84	<a href="#">1039468</a>	SUBASSEMBLY, SECTOR COVER [INCL. BEARING, RET. RING]	1
85	<a href="#">1040329</a>	SUBASM., PINION, 11T	1
86	<a href="#">1007457</a>	SUBASSEMBLY, PAWL, DETENT, ROLLER [INCL. ALL HARDWARE]	1
87	<a href="#">1039307</a>	SUBASSEMBLY, SHIFT FORK	2
87	<a href="#">1039307</a>	SUBASSEMBLY, SHIFT FORK	2
88	<a href="#">1045665</a>	SUBASSEMBLY, PINION GEAR [INCL. ALL HARDWARE]	2
89	<a href="#">1045666</a>	SUBASSEMBLY, DIFFERENTIAL	1
90	<a href="#">1045667</a>	SUBASSEMBLY, RH COVER	1
91	<a href="#">1045668</a>	SUBASSEMBLY, LH CASE	1
92	<a href="#">1040332</a>	CROEVTAEIRNER, FORK [CENTER DRIVE]	2
93	<a href="#">1039317</a>	COVER-BEARING,CNTR DR.	1
94	<a href="#">1039459</a>	BRACKET, WIRE HARNESS	2
95	<a href="#">1040333</a>	BRACKET, MOUNT, REAR	1

# DRIVE TRAIN, MAIN GEARCASE INTERNALS

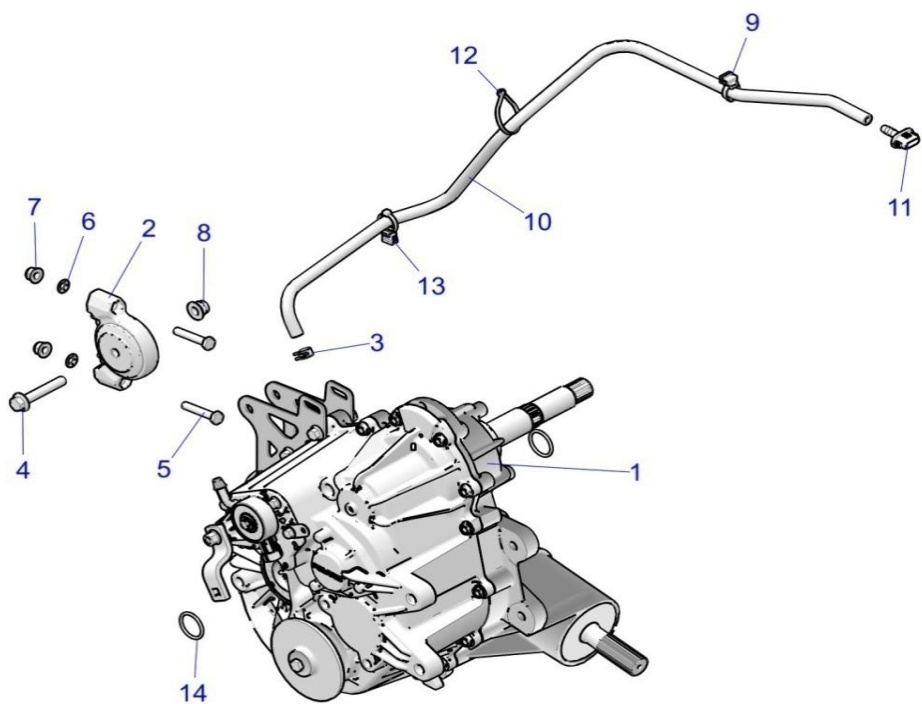
2022 RZR TRAIL S 1000 EPS EU/TRACTOR (R02) - Z22ASE99F4/F5/S99C4/C5



POS	SAP	Part Name	Qty
96	<a href="#">1045670</a>	WASHER, THRUST, 40.83 X 56.25 X 0.38	2
96	<a href="#">1045670</a>	WASHER, THRUST, 40.83 X 56.25 X 0.38	2
98	<a href="#">1007447</a>	CHAIN, SILENT, TYPE 101, .25P X .40W X 58L	1
99	<a href="#">1007458</a>	SOLENOID	1

## DRIVE TRAIN, MAIN GEARCASE MOUNTING

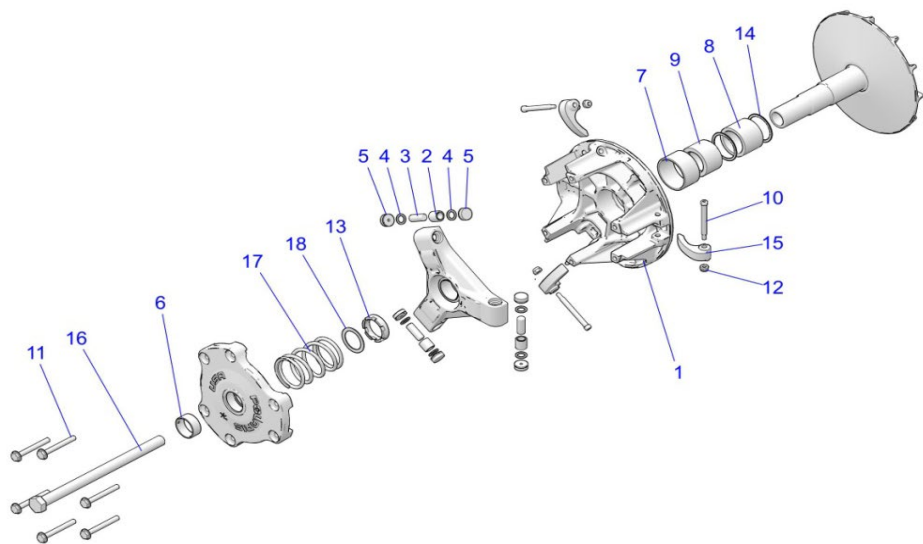
2022 RZR TRAIL S 1000 EPS EU/TRACTOR (R02) - Z22ASE99F4/F5/S99C4/C5



POS	SAP	Part Name	Qty
1	<a href="#">1045671</a>	ASM-GEARCASE,COMPLETE,DIFF,PB	1
2	<a href="#">1039356</a>	MOUNT, ISOLATOR, DRIVELINE	1
3	<a href="#">1039630</a>	CLAMP-HOSE, (LARGE GREEN)	1
4	<a href="#">1039694</a>	SCR-HXFL-M10X1.25X60 8.8 ZOD	1
5	<a href="#">1039723</a>	SCREW-HH M8X1.25X45 8.8 ZOD	2
6	<a href="#">1039776</a>	NUT-5/16-PAL-Y	2
7	<a href="#">1014499</a>	NUT- M8X1.25, FLG, NYLOC-OLIVE D	2
8	<a href="#">1014500</a>	NUT-M10X1.25, FLG, NYLOC-OLIVE D	1
9	<a href="#">1045706</a>	CLIP-EDGE, 1-3mm THICKNESS	1
10	<a href="#">1039914</a>	FUEL LINE 1/4" SAE #30R7, 100CM	1
11	<a href="#">1045673</a>	FITTING-VENT LINE	1
12	<a href="#">1014060</a>	CABLE-TIE,10-102MM,WEATH.-RES.	1
13	<a href="#">1039635</a>	STRAP - CABLE TIE W/ EDGE CLIP	1
14	<a href="#">1045674</a>	O-RING,28.24X2.62,VITON,60A	2

## DRIVE TRAIN, PRIMARY CLUTCH

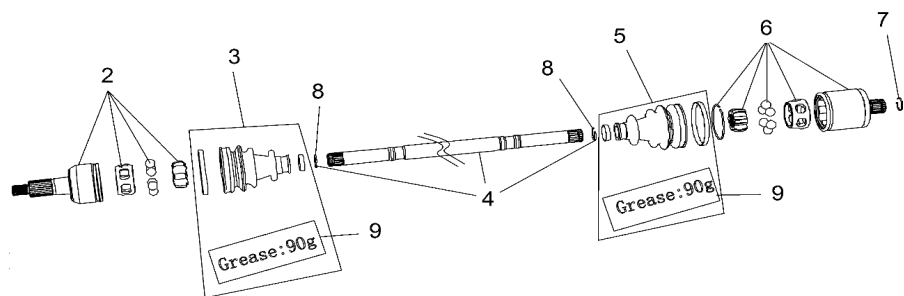
2022 RZR TRAIL S 1000 EPS EU/TRACTOR (R02) - Z22ASE99F4/F5/S99C4/C5



POS	SAP	Part Name	Qty
1	<a href="#">1045675</a>	ASM-DRIVE CLUTCH,BASIC,BEARING [INCL. 2-14]	1
2	<a href="#">1002820</a>	ASM., ROLLER AND BUSHING, 26-59	3
3	<a href="#">1045676</a>	PIN-ROLLER,1.1,SBN	3
4	<a href="#">1011840</a>	WASHER, CLUTCH, SPIDER ROLLER	6
4	<a href="#">1011840</a>	WASHER, CLUTCH, SPIDER ROLLER	6
5	<a href="#">1045678</a>	BUTTON,CLUTCH,.75	6
5	<a href="#">1045678</a>	BUTTON,CLUTCH,.75	6
6	<a href="#">1008784</a>	BEARING, COVER,(10)	1
7	<a href="#">1008438</a>	BEARING-DU,1.75ID	1
8	<a href="#">1003460</a>	ASM., CLUTCH, ONE WAY	1
9	<a href="#">1012197</a>	SPACER, CLUTCH, TALL, PM	1
10	<a href="#">1014426</a>	SCR-SH-1/4X2 SAE4037 BLKX&OIL	3
11	<a href="#">1014432</a>	SCR-1/4-20X2 1/4 HX FLNG GR5-Y	6
12	<a href="#">1014495</a>	NUT-10-24-FLEX LOC-Z	3
13	<a href="#">1014506</a>	NUT, JAM	1
14	<a href="#">1014526</a>	Washer, Clutch, Vespel	2
15	<a href="#">1045679</a>	WEIGHT-SHIFT,29-66,PM	3
16	<a href="#">1045170</a>	SCR-HXFL-M14X1.5X215 10.9 SPC	1
17	<a href="#">1045171</a>	SPRING-CLUTCH,58-135	1
18	<a href="#">1011851</a>	SPACER, CLUTCH, LIMITER	1

# DRIVE TRAIN, REAR HALF SHAFT

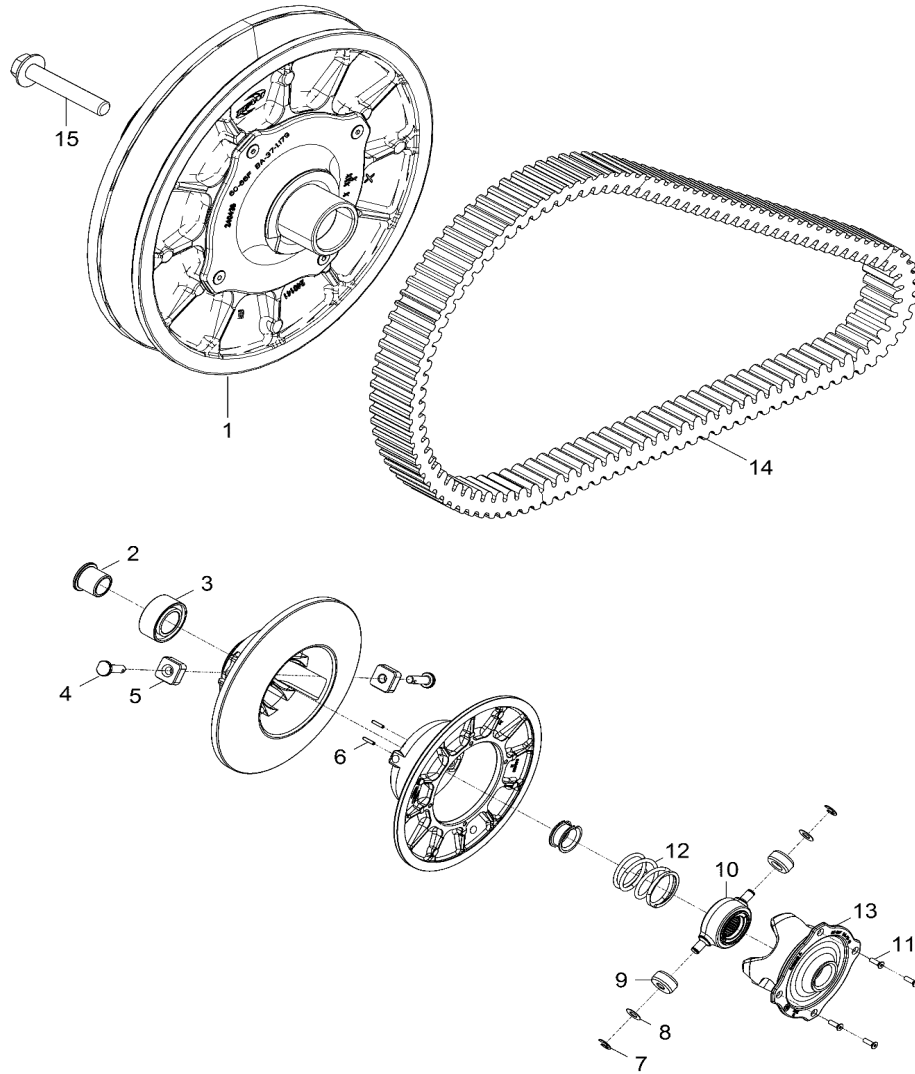
2022 RZR TRAIL S 1000 EPS EU/TRACTOR (R02) - Z22ASE99F4/F5/S99C4/C5



POS	SAP	Part Name	Qty
1	<a href="#">1045680</a>	ASM., HALFSHAFT, REAR [INCL.ALL]	2
2	<a href="#">1007487</a>	JOINT, OUTER	1
3	<a href="#">1045152</a>	K - BOOT, OUTER	1
4	<a href="#">1045681</a>	BAR	1
5	<a href="#">1045682</a>	K - BOOT, INNER	1
6	<a href="#">1039230</a>	JOINT, INNER [INCL. CIRCLIPS]	1
7	<a href="#">1040341</a>	CIRCLIP-2.0X31.6,PR-2085	1
8	<a href="#">1005176</a>	CIRCLIP (PR-3201)	2
8	<a href="#">1005176</a>	CIRCLIP (PR-3201)	2
9	<a href="#">1040346</a>	GREASE(K575/VW738)	2
9	<a href="#">1040346</a>	GREASE(K575/VW738)	2

## DRIVE TRAIN, SECONDARY CLUTCH

2022 RZR TRAIL S 1000 EPS EU/TRACTOR (R02) - Z22ASE99F4/F5/S99C4/C5

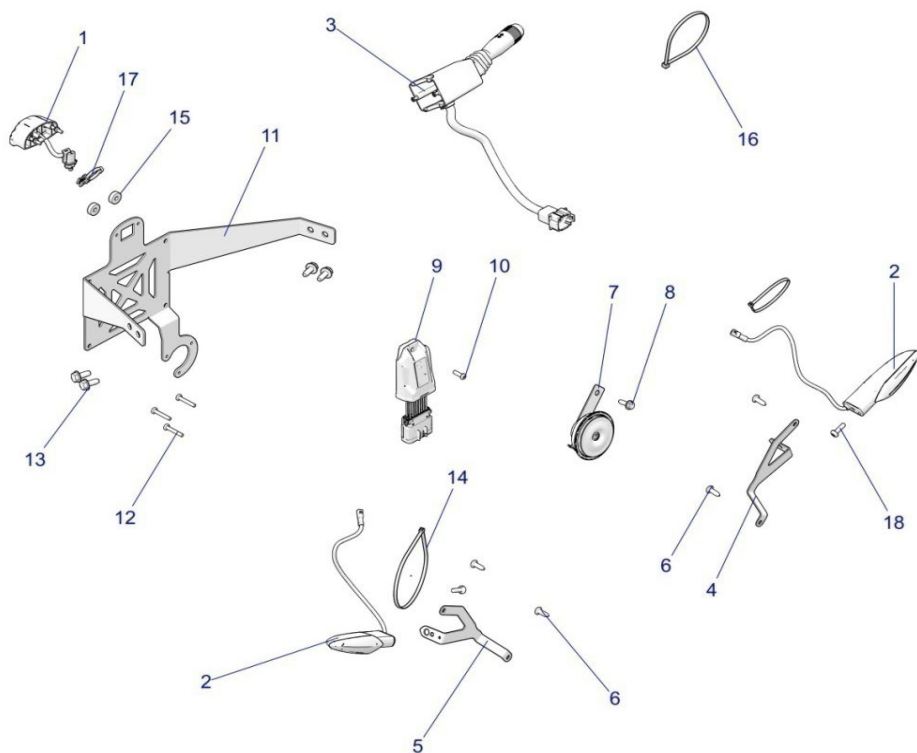


POS	SAP	Part Name	Qty
1	<a href="#">1002830</a>	ASM-DRIVEN 30MM,BTD,BASIC [INCL. 2-13]	1
2	<a href="#">1007479</a>	SLEEVE-SHOULDER,22.94X30,BTD	1
3	<a href="#">1008452</a>	BEARING, BALL OIL FILLED ANGULAR CONTACT 30X55X23	1
4	<a href="#">1007439</a>	PIN , ROLLER	2
5	<a href="#">1008453</a>	PUCK, SQUARE TIED 1.135 X 0.3775 X 0.55	2
6	<a href="#">1007440</a>	SPRING, CLUTCHPIN, SPRING SLOTTED	2
7	<a href="#">1014622</a>	Ring, Retaining, E-Ring, External	2
8	<a href="#">1014522</a>	WASHER-THRUST-TEAM#150151	2
9	<a href="#">1008454</a>	ROLLER-BTD,9.58X28.83X13.97,CE	2
10	<a href="#">1011252</a>	SPIDER, 9.5 25T MACH	1
11	<a href="#">1007448</a>	SCREW, HELIX, PATCH	4
12	<a href="#">1014016</a>	SPRING, COMPRESSION RED/WHT 104-173	1
13	<a href="#">1007477</a>	ASM. CAM EBS	1
14	<a href="#">1007365</a>	BELT-DRIVE,10.5,CD	1
15	<a href="#">1014454</a>	SCR-HXFL-M10X1.25X60 10.9 ZOD	1



# ELECTRICAL, ACCESSORY COMPONENTS

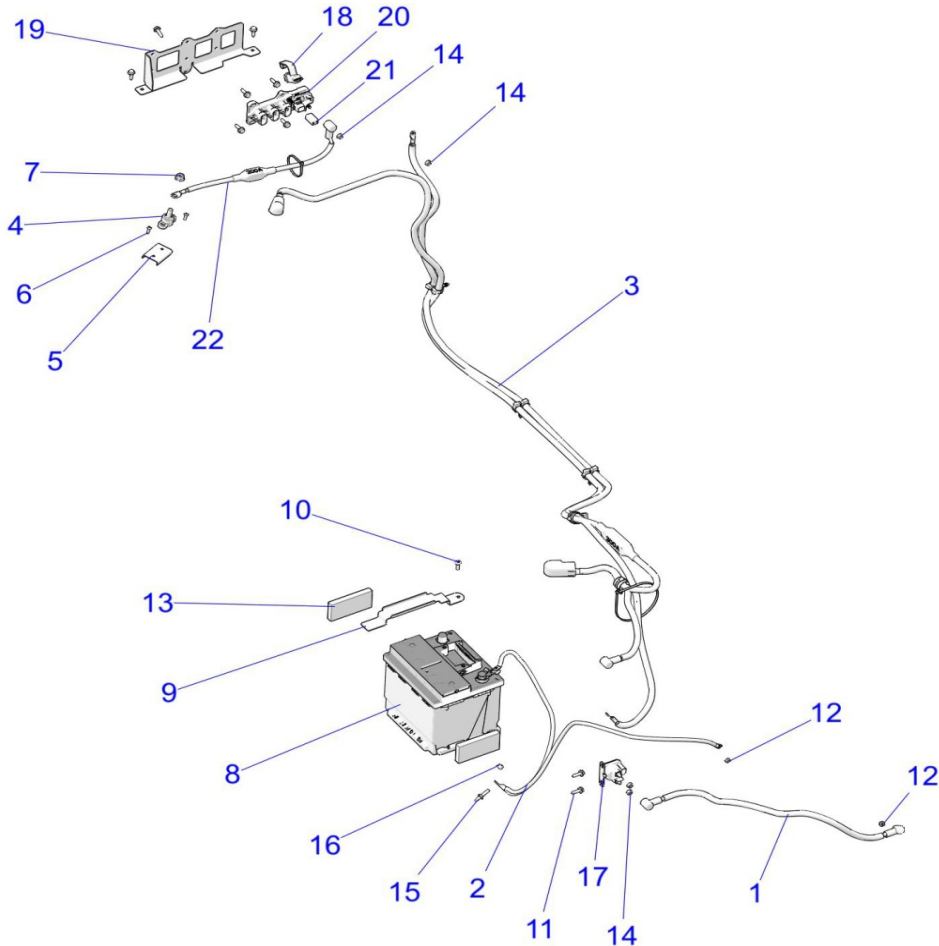
2022 RZR TRAIL S 1000 EPS EU/TRACTOR (R02) - Z22ASE99F4/F5/S99C4/C5



POS	SAP	Part Name	Qty
1	<a href="#">1005857</a>	LIGHT-LICENSE PLATE,TRACTR,BLK	1
2	<a href="#">1005844</a>	SIGNAL-TURN,FRONT,TR	2
2	<a href="#">1005844</a>	SIGNAL-TURN,FRONT,TR	2
3	<a href="#">1045683</a>	SWITCH BLOCK,TURN,LIGHTS HORN	1
4	<a href="#">1045684</a>	BRKT-TURN INDICATOR TR,LH,BLK	1
5	<a href="#">1045685</a>	BRKT-TURN INDICATOR TR,RH,BLK	1
6	<a href="#">1045772</a>	SCR-TX TRUSS-#14X3/4, HI/LO ZBK	4
6	<a href="#">1045772</a>	SCR-TX TRUSS-#14X3/4, HI/LO ZBK	4
7	<a href="#">1009565</a>	HORN, DISC	1
8	<a href="#">1039683</a>	SCR-M6X1.0X20, HXHD, FLG, TDFM, BK	1
9	<a href="#">1009602</a>	MODULE-FLASH,TURN,TRAILER,TRC	1
10	<a href="#">1045686</a>	SCR-10X.75 TX PN PLST-243	1
11	<a href="#">1045687</a>	BRKT-LICENSE PLATE,TR,BLK [TO 1/24/2022]	1
11	<a href="#">1045688</a>	BRKT-LICENSE PLATE,TR,BLK [FROM 1/24/2022]	1
12	<a href="#">1039655</a>	SCR-10-24X1.25TFM PN TRX TRI-Y	3
13	<a href="#">1045689</a>	SCR-HWH-M8X1.25X20 TAP/R ZPB	4
14	<a href="#">1014060</a>	CABLE-TIE,10-102MM,WEATH.-RES.	2
15	<a href="#">1045690</a>	WASHER-.28 X.75 X.25-NYLON-B	2
16	<a href="#">1045691</a>	STRAP,BLK,WEATHER-RESIST.(10) [FROM 1/24/2022]	1
17	<a href="#">1039635</a>	STRAP - CABLE TIE W/ EDGE CLIP	1
18	<a href="#">1039685</a>	SCR-M6X1.0X20MM,TX,PH,8.8-B	2

# ELECTRICAL, BATTERY AND RELATED

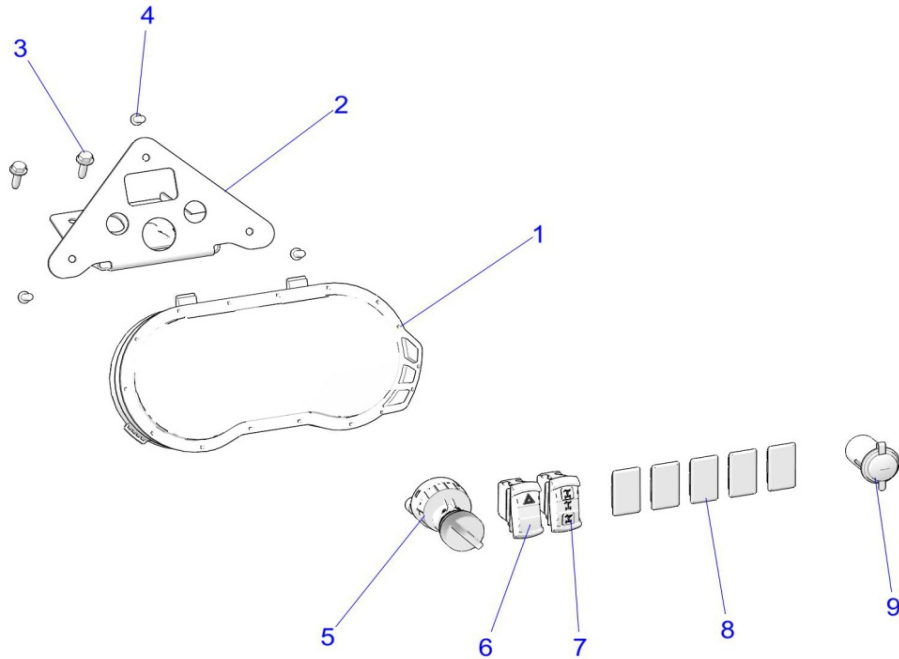
2022 RZR TRAIL S 1000 EPS EU/TRACTOR (R02) - Z22ASE99F4/F5/S99C4/C5



POS	SAP	Part Name	Qty
1	<a href="#">1040363</a>	CABLE, START TO SOLENOID	1
2	<a href="#">1040364</a>	CABLE, GROUND, ENG, BAT, CHAS	1
3	<a href="#">1045692</a>	CABLE-SET,PRI PWR,FUSED	1
4	<a href="#">1045183</a>	Block, Junction	1
5	<a href="#">1045184</a>	BRKT-MTG,B+ POST,BLK	1
6	<a href="#">1045187</a>	SCR-#10-24X5/8PN/TR-RDTORX-Y	2
7	<a href="#">1045188</a>	NUT-FLANGED,3/8-16 NYLON-Z	1
8	<a href="#">1030660</a>	BATTERY-530 CCA,FLOODED,EUROPE	1
9	<a href="#">1039893</a>	STRAP, BATTERY, VARTA, BLACK	1
10	<a href="#">1039758</a>	SCR-TXPH-#14 X .75 HI-LO RIE	1
11	<a href="#">1039683</a>	SCR-M6X1.0X20, HXHD, FLG, TDFM, BK	AR
12	<a href="#">1039773</a>	NUT-6MM X 1 NYLOK-Z	2
12	<a href="#">1039773</a>	NUT-6MM X 1 NYLOK-Z	2
13	<a href="#">1039598</a>	PAD, BATTERY, FOAM	2
14	<a href="#">1045182</a>	NUT-HXFLGHD, M6, SERRATED	4
14	<a href="#">1045182</a>	NUT-HXFLGHD, M6, SERRATED	4
14	<a href="#">1045182</a>	NUT-HXFLGHD, M6, SERRATED	4
15	<a href="#">1039752</a>	STUD-M6X1.0X19-M6 TAPTITE	1
16	<a href="#">1039782</a>	NUT, M6 FLANGE, NYLOC	1
17	<a href="#">1009588</a>	SOLENOID, STARTER, SEALED	1
18	<a href="#">1045693</a>	COVER,TB,25A,JCASE	1
19	<a href="#">1045694</a>	BRKT-MOUNT,PULSE,BLK	1
20	<a href="#">1045695</a>	BLOCK, TERMINAL, 3 POST	1
21	<a href="#">1045696</a>	FUSE-CARTRIDGE,25A	1
22	<a href="#">1045185</a>	CABLE-JUMPER,ACCY,FUSED [TO 8/22/2022]	1
22	<a href="#">1045186</a>	CABLE-JUMPER,ACCY,FUSED [FROM 8/22/2022]	1

# ELECTRICAL, DASH INSTRUMENTS AND CONTROLS

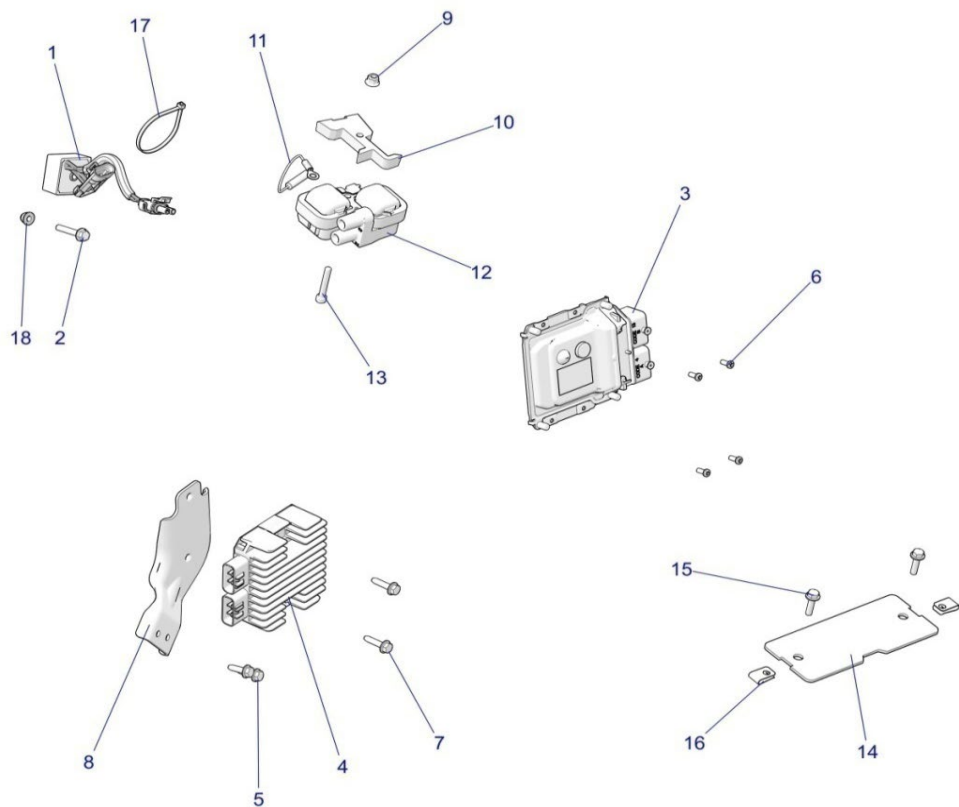
2022 RZR TRAIL S 1000 EPS EU/TRACTOR (R02) - Z22ASE99F4/F5/S99C4/C5



POS	SAP	Part Name	Qty
1	<a href="#">1045697</a>	ASM-CLUSTER,C4,ABS,TR	1
2	<a href="#">1045205</a>	BRKT-C4 GAUGE MOUNT,ECOAT	1
3	<a href="#">1039683</a>	SCR-M6X1.0X20, HXHD, FLG, TDFM, BK	2
4	<a href="#">1014444</a>	SCREW-TXBH-M6X1.0X12 8.8 ZPB D20	3
5	<a href="#">1045698</a>	SWITCH-KEY,4 POS,ATV,SEALED	1
6	<a href="#">1009587</a>	SWITCH, HAZARD	1
7	<a href="#">1040370</a>	SWITCH, AWD, TURF	1
8	<a href="#">1045197</a>	COVER-SWITCH,RZT	5
9	<a href="#">1009573</a>	RECEPTACLE, POD MOUNT, 12 VOLT	1

## ELECTRICAL, ECU, REG, ETC.

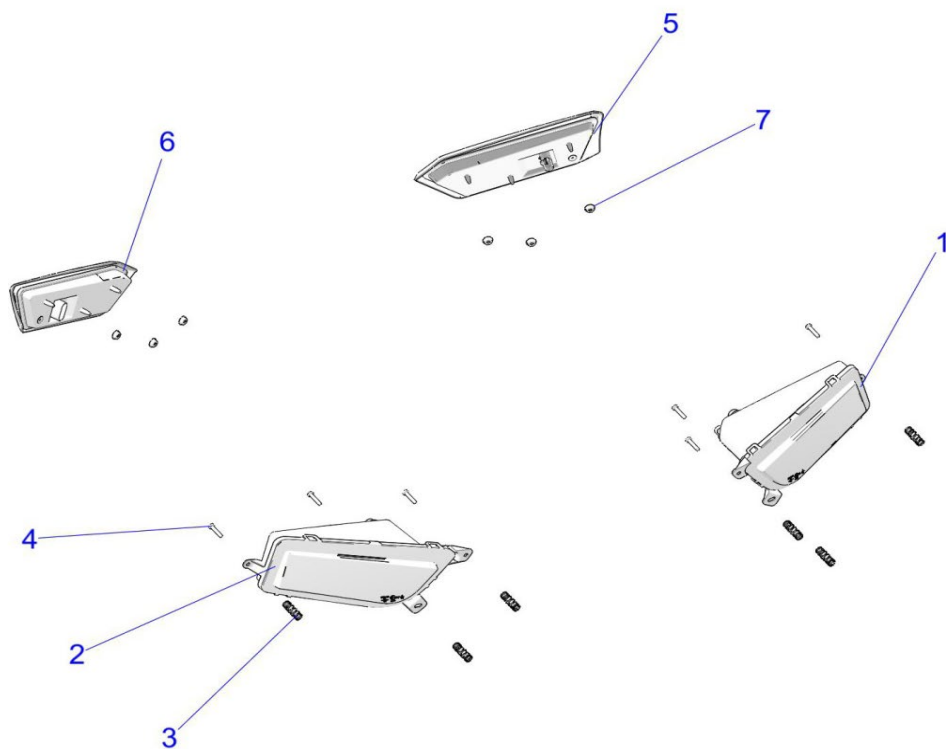
2022 RZR TRAIL S 1000 EPS EU/TRACTOR (R02) - Z22ASE99F4/F5/S99C4/C5



POS	SAP	Part Name	Qty
1	<a href="#">1009575</a>	RELAY, SOLID STATE, 9 AMP, LONG, LD	1
2	<a href="#">1040368</a>	BOLT-M6X1.0X35,HXFLG/SH-OLV D	1
3	<a href="#">1009581</a>	ECM-HARD,ME17,2CYL,250K	1
4	<a href="#">1009597</a>	REGULATOR-3PH,50A,SERIES,HISPD	1
5	<a href="#">1039683</a>	SCR-M6X1.0X20, HXHD, FLG, TDFM, BK	2
6	<a href="#">1039719</a>	SCR-#10X1/2-HI/LO-PN-T25, TRX-M	4
7	<a href="#">1044268</a>	SCR-TFHFL-M6X1.0X25,ZOD	2
8	<a href="#">1039896</a>	BRKT-MOUNT,REGULATOR,ECOAT	1
9	<a href="#">1039782</a>	NUT, M6 FLANGE, NYLOC	1
10	<a href="#">1011828</a>	SPACER, COIL MOUNT	1
11	<a href="#">1039491</a>	JUMPER, COIL GROUND	1
12	<a href="#">1039486</a>	COIL, EFI	1
13	<a href="#">1039705</a>	SCR-M6X1.0X40,HX/SOC/CP-B	1
14	<a href="#">1045221</a>	PANEL-CLOSEOFF,FUSE CTR LOC	1
15	<a href="#">1039684</a>	BOLT, HEXHEAD, FLANGE, BLACK	2
16	<a href="#">1014509</a>	NUT-M6-1.0, U-TYPE (2.5-3.8)	2
17	<a href="#">1039612</a>	PANDUIT STRAP	1
18	<a href="#">1039784</a>	NUT-M6X1.0, FLG-NYLOC-OLIVE D	1

# ELECTRICAL, HEADLIGHTS AND TAILLIGHTS

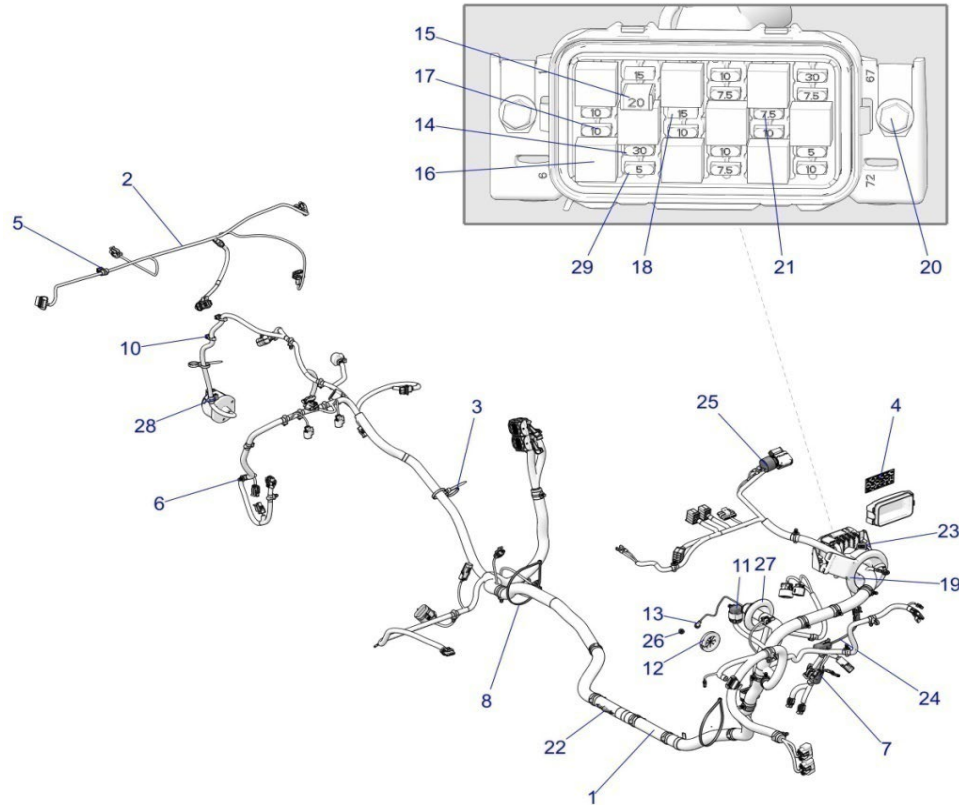
2022 RZR TRAIL S 1000 EPS EU/TRACTOR (R02) - Z22ASE99F4/F5/S99C4/C5



POS	SAP	Part Name	Qty
1	<a href="#">1045223</a>	ASM-HEADLIGHT,LED,ECE,LH,TRC	1
2	<a href="#">1045224</a>	ASM-HEADLIGHT,LED,ECE,RH,TRC	1
3	<a href="#">1013999</a>	SPRING, HEADLIGHT	6
4	<a href="#">1014424</a>	SCR-10X1.12 TX PN PLS-Y	6
5	<a href="#">1005839</a>	ASM., STOP, TAILLIGHT, TURN, ECE, LH [F5][F4]	1
5	<a href="#">1005848</a>	ASM-STOP,TAIL,TURN,ECE,LH,TRC [C5][C4]	1
6	<a href="#">1005840</a>	ASM., STOP, TAILLIGHT, TURN, ECE, RH [F5][F4]	1
6	<a href="#">1005849</a>	ASM-STOP,TAIL,TURN,ECE,RH,TRC [C5][C4]	1
7	<a href="#">1039814</a>	SPEED NUT-WASHER, HEAD-1/4	6

# ELECTRICAL, WIRE HARNESS

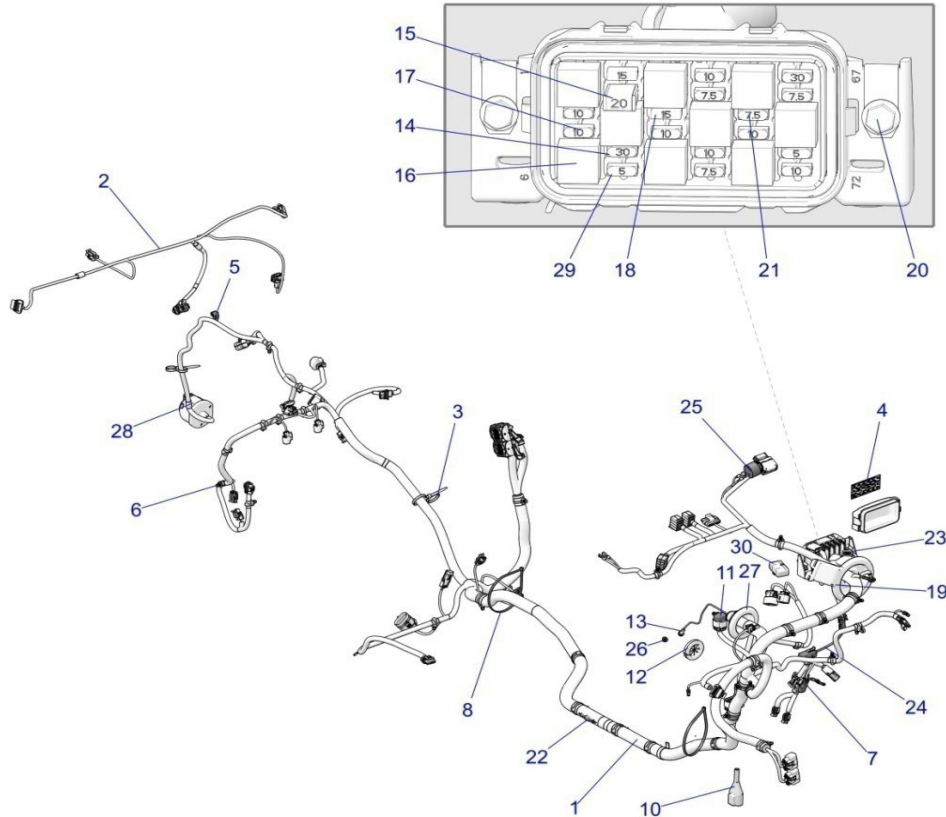
2022 RZR TRAIL S 1000 EPS EU/TRACTOR (R02) - Z22ASE99F4/F5/S99C4/C5



POS	SAP	Part Name	Qty
1	1045699	HARNESS-CHASSIS,RZR,1000,PS,TR [INCL.3-6,9-11,13-19,21-23,26-29][TO 1/24/2022]	1
2	1040365	HARNESS-BOX,RZR,TR	1
3	1039636	STRAP-PANDUIT,DBL LOOP,260MM	4
4	1045700	LABEL-FUSE BOX	1
5	1040381	CLIP, EDGE, HARNESS	1
6	1014065	CLIP-ROUTING	AR
7	1045707	JUMPER-BRAKE PRESSURE SWITCH	1
8	1014060	CABLE-TIE,10-102MM,WEATH.-RES.	2
10	1039635	STRAP - CABLE TIE W/ EDGE CLIP	1
11	1039488	COVER - DIAGNOSTIC, W/ CLIP	1
12	1039543	GROMMET, ELECTRICAL, CAB	1
13	1039381	LED - PANEL MNT, 12V, BLUE	1
14	1045236	FUSE,MAIN,30 AMP,(10)	2
15	1009564	BREAKER, CIRCUIT, 20 AMP, SEALED	1
16	1009596	RELAY - SPST, 12V, 20A, EPXY, HFA	9
17	1005911	FUSE, IGNITION, 10 AMP	7
18	1039379	Fuse, Mini Blade, 15 Amp.	2
19	1045234	GROMMET - DASH FUSE CTR, RZR	1
20	1039684	BOLT, HEXHEAD, FLANGE, BLACK	2
21	1045235	FUSE - 7.5, MINI BLADE (BROWN)	4
22	1040379	DIODE - 6 AMP, 1/4, 3/16 TERM	3
23	1045237	DIODE - 6 AMP, 1/4, 3/16 TERM	1
24	1040355	JUMPER,BRAKE SWITCH,RZR,TR [C5][C4]	1
25	1045709	ALARM-BRAKE, WARNING [C5][C4]	1
26	1039638	CLIP - ROUTING, DIN BOX	1
27	1039597	GROMMET - 65 MM, BLK	1
28	1040380	CONNECTOR-7-WAY, EURO TRAILER	1
29	1009567	FUSE, 5 AMP	2

# ELECTRICAL, WIRE HARNESS

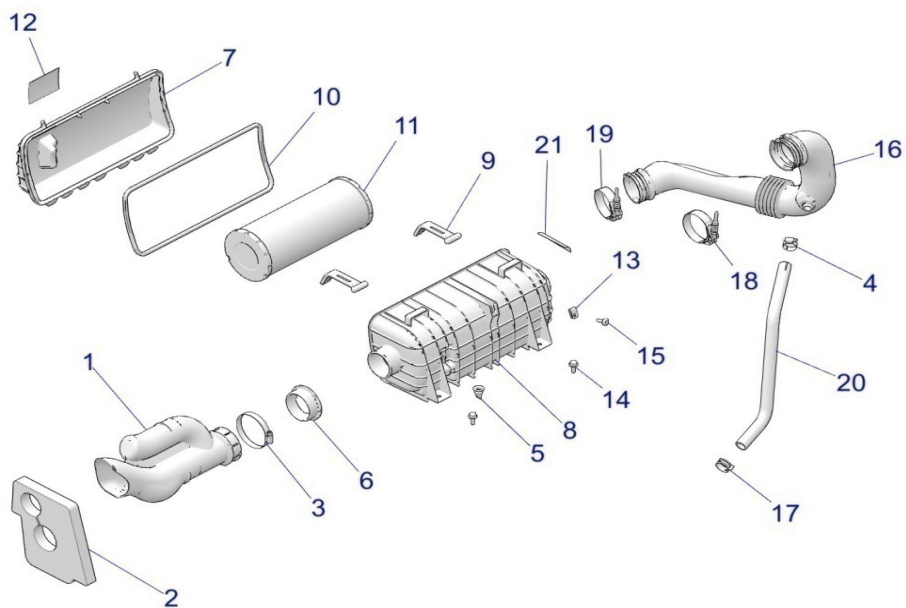
2022 RZR TRAIL S 1000 EPS EU/TRACTOR (R02) - Z22ASE99F4/F5/S99C4/C5



POS	SAP	Part Name	Qty
1	1045703	HARNESS-CHASSIS,RZR,1K,PS,INT [INCL.3-6,9-11,13-19,21-23,26-30][FROM 1/24/2022]	1
2	1045704	HARNESS-BOX,RZR,TR	1
3	1039636	STRAP-PANDUIT,DBL LOOP,260MM	4
4	1045705	LABEL-FUSE BOX	1
5	1045706	CLIP-EDGE, 1-3mm THICKNESS	1
6	1014065	CLIP-ROUTING	AR
7	1045707	JUMPER-BRAKE PRESSURE SWITCH	1
8	1014060	CABLE-TIE,10-102MM,WEATH.-RES.	2
10	1045708	THROTTLE-CON BOOT	1
11	1039488	COVER - DIAGNOSTIC, W/ CLIP	1
12	1039543	GROMMET, ELECTRICAL, CAB	1
13	1039381	LED - PANEL MNT, 12V, BLUE	1
14	1045236	FUSE,MAIN,30 AMP,(10)	2
15	1009564	BREAKER, CIRCUIT, 20 AMP, SEALED	1
16	1009596	RELAY - SPST, 12V, 20A, EPXY, HFA	8
17	1005911	FUSE, IGNITION, 10 AMP	10
18	1039379	Fuse, Mini Blade, 15 Amp.	1
19	1045234	GROMMET - DASH FUSE CTR, RZR	1
20	1039684	BOLT, HEXHEAD, FLANGE, BLACK	2
21	1045235	FUSE - 7.5, MINI BLADE (BROWN)	3
22	1040379	DIODE - 6 AMP, 1/4, 3/16 TERM	1
23	1045237	DIODE - 6 AMP, 1/4, 3/16 TERM	1
24	1040355	JUMPER,BRAKE SWITCH,RZR,TR [C5][C4]	1
25	1045709	ALARM-BRAKE, WARNING [C5][C4]	1
26	1039638	CLIP - ROUTING, DIN BOX	1
27	1039597	GROMMET - 65 MM, BLK	1
28	1040380	CONNECTOR-7-WAY, EURO TRAILER	1
29	1009567	FUSE, 5 AMP	2
30	1045710	CAP-EVAP CONNECTOR	1

# ENGINE, AIR INTAKE SYSTEM

2022 RZR TRAIL S 1000 EPS EU/TRACTOR (R02) - Z22ASE99F4/F5/S99C4/C5

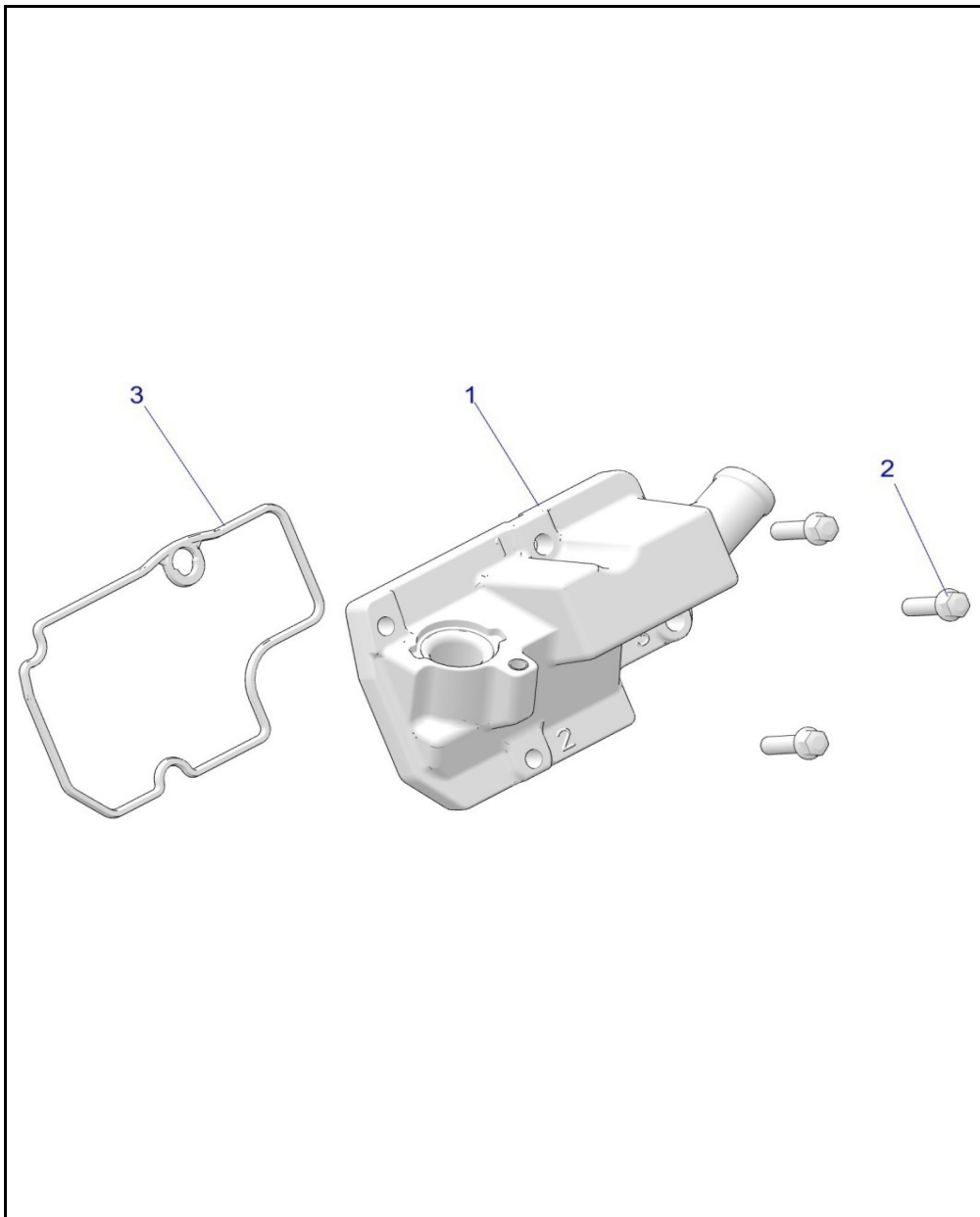


POS	SAP	Part Name	Qty
1	<a href="#">1040383</a>	DUCT, INTAKE, AIRBOX	1
2	<a href="#">1040384</a>	PANEL, INTAKE SEPARATOR	1
3	<a href="#">1040385</a>	CLAMP, HOSE, 3.25 SS	1
4	<a href="#">1039617</a>	CLAMP, HOSE WORM GEAR 1.25	1
5	<a href="#">1039544</a>	PLUG, DRAIN, HC	1
6	<a href="#">1040386</a>	SEAL, INTAKE, AIRBOX	1
7	<a href="#">1040387</a>	COVER, AIRBOX	1
8	<a href="#">1040388</a>	AIRBOX	1
9	<a href="#">1011910</a>	STRAP, AIRBOX	2
10	<a href="#">1045711</a>	SEAL-AIRBOX [FROM 11/1/2021]	1
10	<a href="#">1045712</a>	SEAL, AIRBOX [TO 11/1/2021]	1
11	<a href="#">1014081</a>	FILTER, AIR	1
12	<a href="#">1039646</a>	DECAL, CAUTION, AIR BOX	1
12	<a href="#">1039652</a>	DECAL-WARN,INTAKE	2
13	<a href="#">1014509</a>	NUT-M6-1.0, U-TYPE (2.5-3.8)	1
14	<a href="#">1039688</a>	SCR-TFHFL-M8X1.25X20 CHS ZOD	2
15	<a href="#">1014459</a>	SCR-TXTH-M6X1.0X25 ZFB	1
16	<a href="#">1040391</a>	ASM., INTAKE DUCT [INCL. 18,19]	1
17	<a href="#">1039620</a>	SPRINGBAND-CLAMP 27/12, GREEN	1
18	<a href="#">1040392</a>	CLAMP, HOSE, T-BOLT, 72 DIA	1
19	<a href="#">1040393</a>	CLAMP, HOSE, T-BOLT, 66.4 DIA	1
20	<a href="#">1040394</a>	HOSE, VENT	1
21	<a href="#">1040395</a>	DECAL, INTAKE DUCT	1



# ENGINE, BREATHER

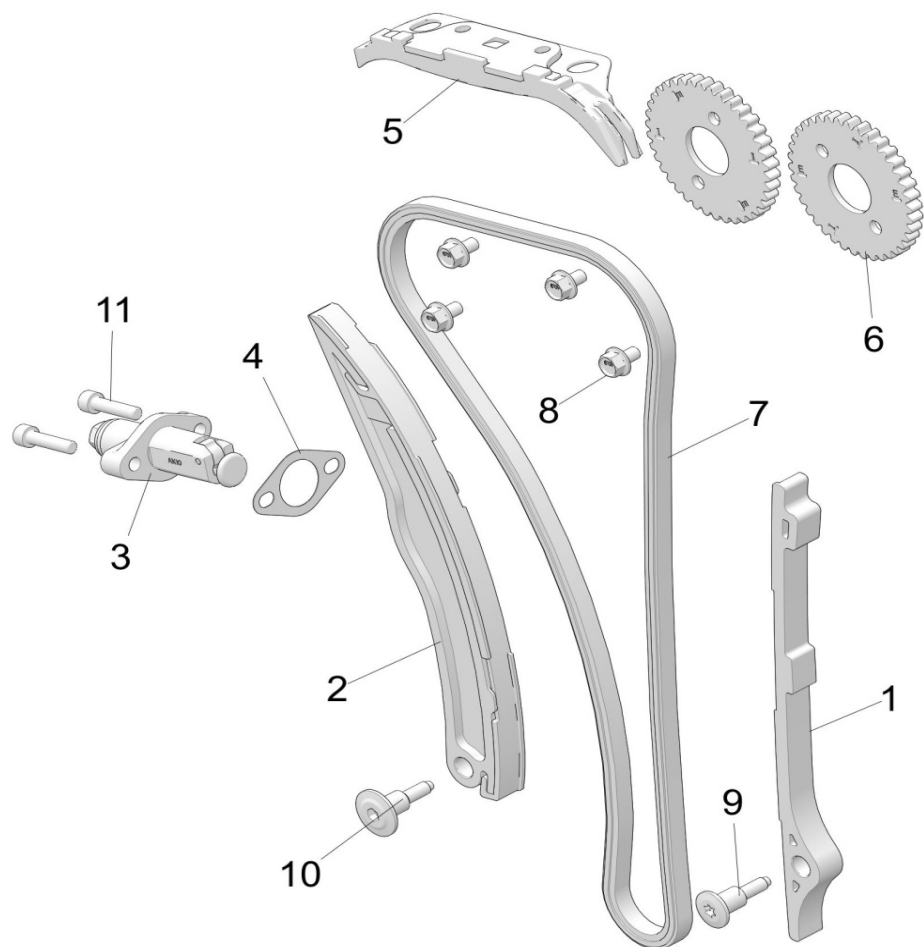
2022 RZR TRAIL S 1000 EPS EU/TRACTOR (R02) - Z22ASE99F4/F5/S99C4/C5



POS	SAP	Part Name	Qty
1	<a href="#">1045261</a>	COVER-BREATHER,MACH	1
2	<a href="#">1039698</a>	SCREW-HXFL-M6X1.0X20 8.8 ZY3	3
3	<a href="#">1012352</a>	SEAL, COVER, BREATHER	1

## ENGINE, CAM CHAIN AND TENSIONER

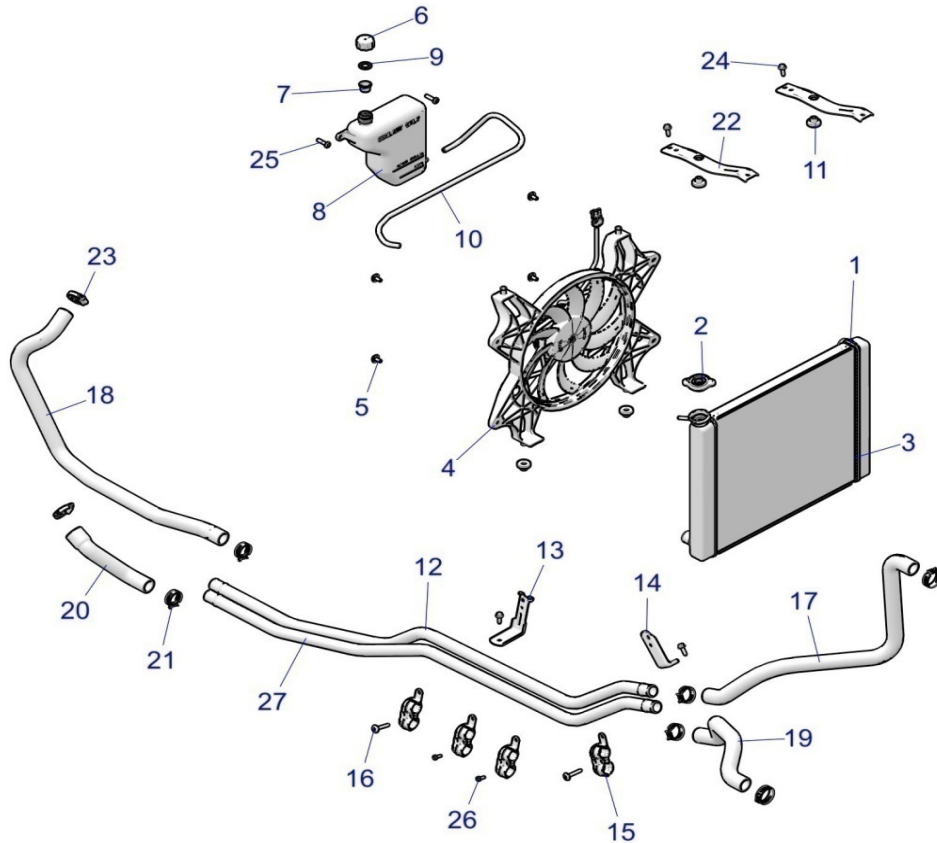
2022 RZR TRAIL S 1000 EPS EU/TRACTOR (R02) - Z22ASE99F4/F5/S99C4/C5



POS	SAP	Part Name	Qty
1	<a href="#">1007004</a>	GUIDE, CAMCHAIN, FIXED	1
2	<a href="#">1007005</a>	GUIDE, CAMCHAIN, TENSIONER	1
3	<a href="#">1045238</a>	TENSIONER-RATCHETING,MECH [INCL. 4]	1
4	<a href="#">1039603</a>	GASKET, TENSIONER	1
5	<a href="#">1039411</a>	GUIDE-CAMCHAIN, TOP, ARC	1
6	<a href="#">1039417</a>	SPROCKET, CAM, DRIVEN, DOHC	2
7	<a href="#">1007398</a>	CHAIN, CAMSHAFT	1
8	<a href="#">1039728</a>	SCREW-HXFL, M6X1.0X10 10.9	4
9	<a href="#">1039730</a>	SCREW-TXPH-M6X1.0X14 8.8 A2K SHB	1
10	<a href="#">1039765</a>	BOLT-SHLDR, M6X14X40	1
11	<a href="#">1039713</a>	SCREW-SH-M6X1.0X25 10.9 ZPC D204	2

# ENGINE, COOLING SYSTEM

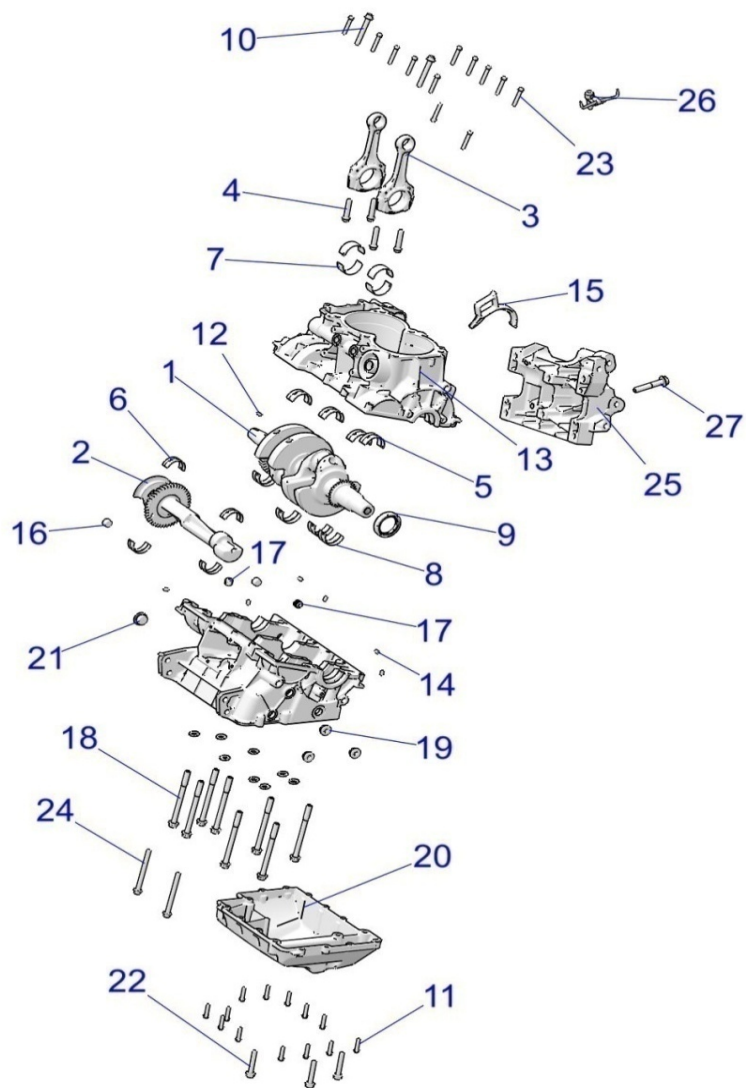
2022 RZR TRAIL S 1000 EPS EU/TRACTOR (R02) - Z22ASE99F4/F5/S99C4/C5



POS	SAP	Part Name	Qty
1	<a href="#">1039350</a>	ASM., RADIATOR [INCL. 2-5]	1
1	<a href="#">1045713</a>	DECAL-WARN,RADIATOR,EU [F5][F4]	1
2	<a href="#">1002468</a>	CAP, RADIATOR	1
3	<a href="#">1002469</a>	ASM., RADIATOR, CORE	1
4	<a href="#">1005838</a>	FAN-ASSEMBLY	1
5	<a href="#">1039757</a>	BOLT, M6X15MM	4
6	<a href="#">1011820</a>	CAP, OVER FLOW BOTTLE, DRILLED	1
7	<a href="#">1011824</a>	CAP,PLUG9X(GRN),FLEX TEMP(10)	1
8	<a href="#">1039565</a>	TANK, SURGE	1
9	<a href="#">1012347</a>	GASKET, OVER FLOW CAP	1
10	<a href="#">1045239</a>	FUEL LINE-95 CENTIMETERS	1
11	<a href="#">1039287</a>	GROMMET-FLANGED,.36X.56X1.06	4
12	<a href="#">1045241</a>	TUBE-COOLANT,1"	1
13	<a href="#">1039886</a>	BRACKET, COOLANT TUBE, BLACK	1
14	<a href="#">1039890</a>	BRACKET, COOLANT TUBE, BLACK	1
15	<a href="#">1039574</a>	BRACKET, COOLANT TUBE	4
16	<a href="#">1039714</a>	SCR-TXTH-M6X1.0X50, 8.8, ZPB	2
17	<a href="#">1039546</a>	HOSE, UPPER, RADIATOR	1
18	<a href="#">1040400</a>	HOSE, ENGINE OUTLET, REAR	1
19	<a href="#">1011804</a>	HOSE, LOWER, RADIATOR, LONG	1
20	<a href="#">1040401</a>	HOSE, ENGINE INLET, REAR	1
21	<a href="#">1039621</a>	SPRINGBAND-CLAMP 35/12,BLK	6
22	<a href="#">1039039</a>	BRACKET, UPPER RADIATOR MOUNT, BLACK	2
23	<a href="#">1039628</a>	CLAMP, HOSE (WORM DR) 25-40MM	2
24	<a href="#">1039683</a>	SCR-M6X1.0X20, HXHD, FLG, TDFM, BK	4
25	<a href="#">1039666</a>	SCREW, #14X1 HI/LO-PH-PN TRX-M	2
26	<a href="#">1014423</a>	SCREW-#10X3/4-HI/LO-PN-T25,TRX-M	2
27	<a href="#">1045240</a>	TUBE-COOLANT,1"	1

# ENGINE, CRANKCASE AND CRANKSHAFT

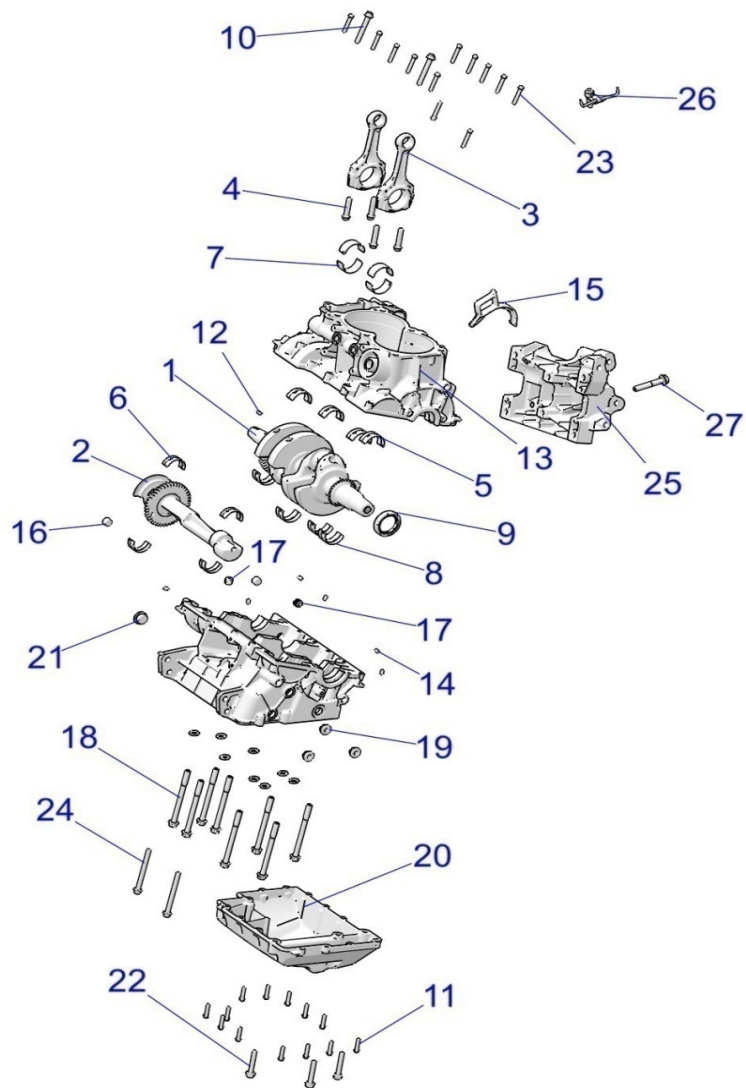
2022 RZR TRAIL S 1000 EPS EU/TRACTOR (R02) - Z22ASE99F4/F5/S99C4/C5



POS	SAP	Part Name	Qty
1	1045245	ASM., CRANKSHAFT [TO 4/1/2022]	1
1	1031691	ASM-CRANKSHAFT,MACH [FROM 4/1/2022]	1
2	1039348	ASM., BALANCE SHAFT	1
3	1028601	ASM-CONNECTING ROD,CLN [INCL. 4]	2
4	1039762	SCR-ROD,MJ9X1X40-4H6H,12.9	4
5	1028584	BEARING-MAIN,G-90,41MM	7
5	1028585	BEARING, MAIN, BLUE	7
5	1028586	BEARING, MAIN, GREEN	7
5	1028587	BEARING, MAIN, YELLOW	7
5	1028588	BEARING, MAIN, RED	7
6	1028589	BEARING, CONNECTING ROD, WHITE	4
6	1028590	BEARING, CONNECTING ROD, BLUE	4
6	1028591	BEARING, CONNECTING ROD, GREEN	4
6	1028592	BEARING, CONNECTING ROD, YELLOW	4
7	1028596	BEARING, BALANCE SHAFT	4
8	1028593	BEARING-MAIN,CNTR,LWR	1
8	1028594	BEARING, MAIN, GREEN	1
8	1028595	BEARING, MAIN, YELLOW	1
9	1028602	SEAL-CRANKSHAFT	1
10	1039731	SCR-HXFLG,M8X1.25X60	2
11	1039763	BOLT-M10X1.5X60MM8.8HEXDRILOCK	6
12	1014636	KEY,WOODRUFF(10)	1
13	1045247	K-CRANKCASE 3023658 [INCL. 14-19,21, 23,24,26]	1
14	1045248	PIN, DOWEL	8
15	1045249	DIVERTER, OIL DRAIN	1
16	1039610	PLUG-3/8 NPT,HX/SOC W/SEALANT	2
17	1039708	PLUG-HEX SOCKET,1/4X18,SEALANT	2
17	1039708	PLUG-HEX SOCKET,1/4X18,SEALANT	2
18	1045250	SCR-HXFL,M10X1.25X113MM 10.9	8

# ENGINE, CRANKCASE AND CRANKSHAFT

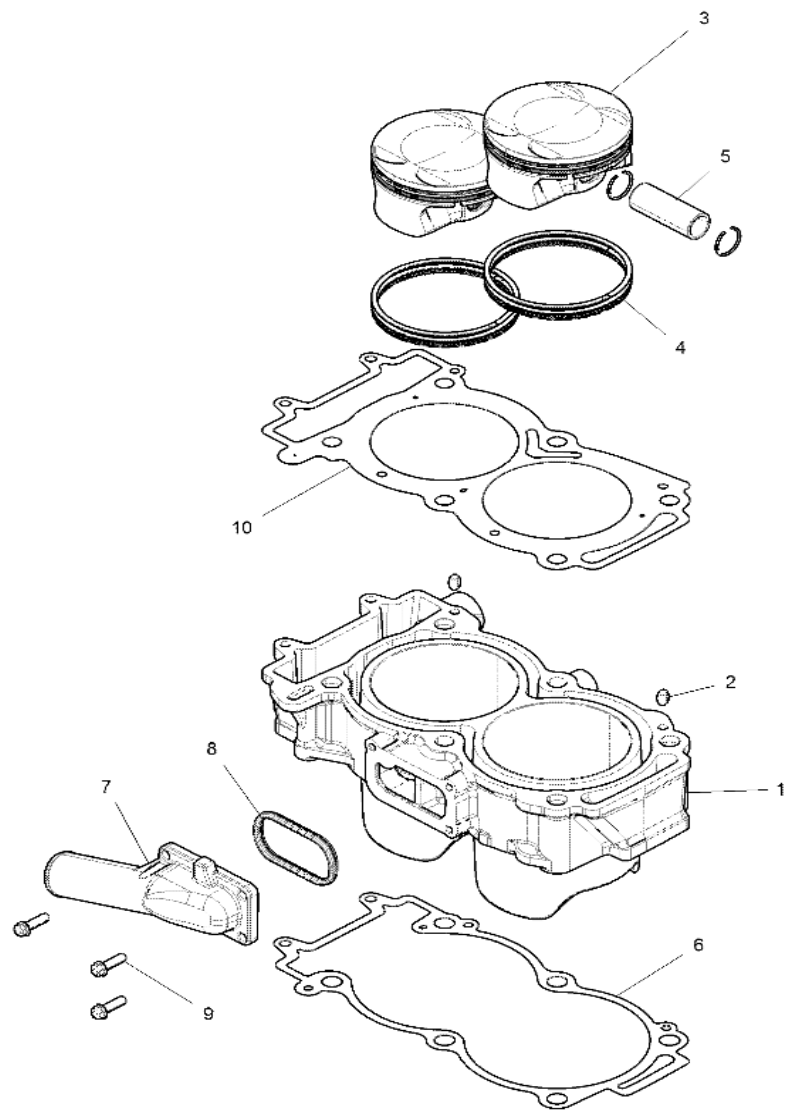
2022 RZR TRAIL S 1000 EPS EU/TRACTOR (R02) - Z22ASE99F4/F5/S99C4/C5



POS	SAP	Part Name	Qty
19	<a href="#">1045714</a>	PLUG-HEX SCKT,W/O-RING,M16X1.5	3
20	<a href="#">1045251</a>	COVER-SUMP,MACH	1
21	<a href="#">1039611</a>	PLUG-HEX SCKT,W/O-RING,M20X1.5	2
22	<a href="#">1039664</a>	SCR-M8X1.25X50 HX/FL-Y	3
23	<a href="#">1039699</a>	SCR-HXFL-M6X1.0X35 8.8 ZY3	12
24	<a href="#">1039727</a>	SCR-HXFLG,M8X1.25X90	2
25	<a href="#">1045246</a>	BRKT-TRANSJOINT,MACH	1
26	<a href="#">1039412</a>	JET, PISTON	1
27	<a href="#">1039744</a>	SCREW-HXFLG,M6X1.0X25,10.9	13

# ENGINE, CYLINDER AND PISTON

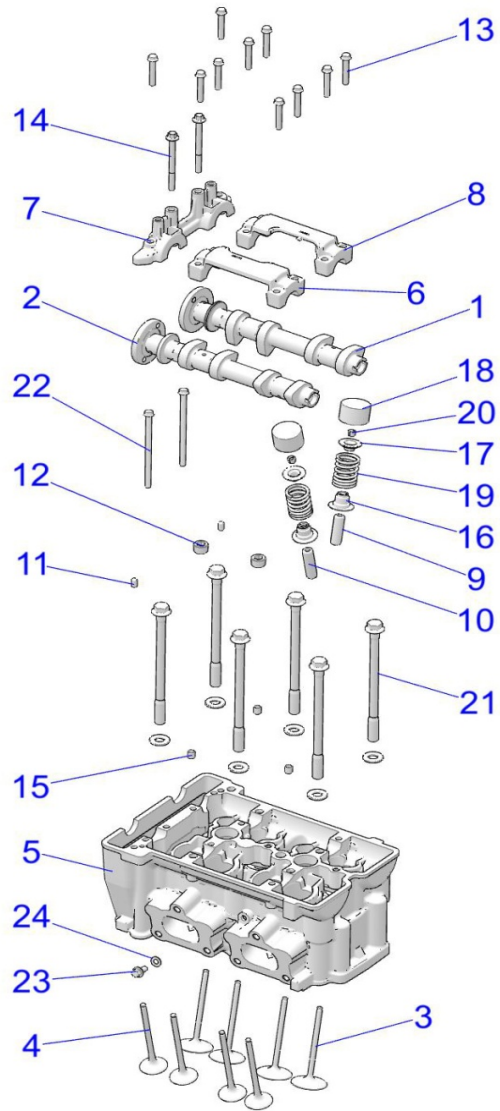
2022 RZR TRAIL S 1000 EPS EU/TRACTOR (R02) - Z22ASE99F4/F5/S99C4/C5



POS	SAP	Part Name	Qty
1	<a href="#">1039415</a>	ASM-CYLINDER,999 [INCL. 2]	1
2	<a href="#">1039498</a>	PIN, DOWEL, M6x10	2
3	<a href="#">1045715</a>	ASM-PISTON [INCL. 4,5,RETAINING RING]	2
3	<a href="#">1040420</a>	RING-RTG,ROUND,20.0X1.6	4
4	<a href="#">1039377</a>	KIT, PISTON RINGS	2
5	<a href="#">1039406</a>	PIN, PISTON	2
6	<a href="#">1028599</a>	GASKET, BASE, 2 CYL [TO 5/9/2022]	1
6	<a href="#">1045716</a>	GASKET-BASE,2 CYL [FROM 5/9/2022]	1
7	<a href="#">1039588</a>	COVER, WATER INLET, CAST	1
8	<a href="#">1039596</a>	GASKET, WATER, INLET	1
9	<a href="#">1039698</a>	SCREW-HXFL-M6X1.0X20 8.8 ZY3	3
10	<a href="#">1028598</a>	GASKET, CYLINDER, HEAD [TO 5/2/2022]	1
10	<a href="#">1045252</a>	GASKET, CYLINDER, HEAD [FROM 5/2/2022]	1

# ENGINE, CYLINDER HEAD AND VALVES

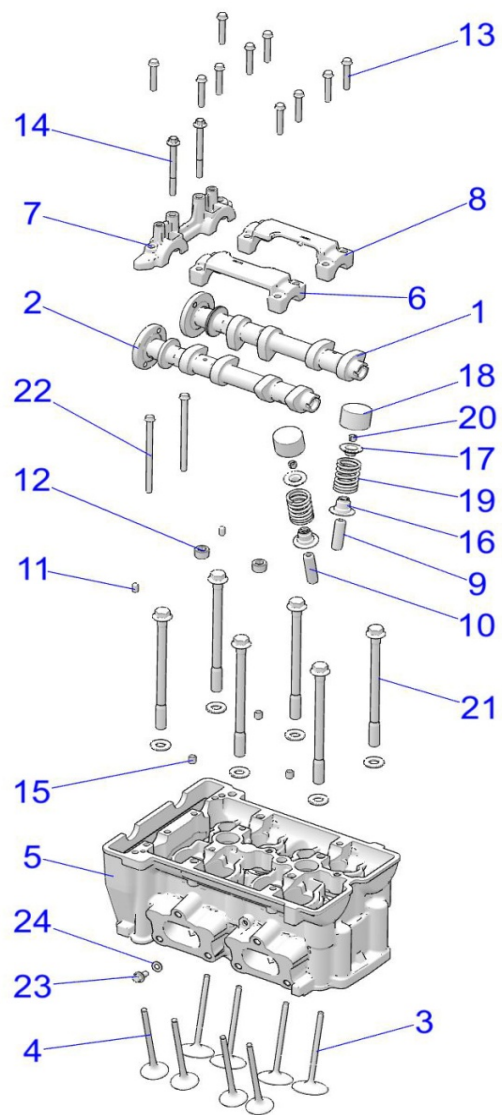
2022 RZR TRAIL S 1000 EPS EU/TRACTOR (R02) - Z22ASE99F4/F5/S99C4/C5



POS	SAP	Part Name	Qty
1	1045717	ASM-CAMSHAFT,INTAKE,989-234	1
2	1045718	ASM-CAMSHAFT,EXHAUST,913-225	1
3	1039405	VALVE-INTAKE,STEEL,G-90	4
4	1039407	VALVE, EXHAUST	4
5	1039410	ASM-CYLINDER HEAD,MACH [INCL. 6-15]	1
6	1040163	CARRIER, CAMSHAFT, DOHC, EXHAUST [INCL. IN CYLINDER HEAD ASM.]	1
7	1040163	CARRIER, CAMSHAFT, DOHC, TRANS [INCL. IN CYLINDER HEAD ASM.]	1
8	1040163	CARRIER, CAMSHAFT, DOHC, INTAKE [INCL. IN CYLINDER HEAD ASM.]	1
9	1040163	GUIDE, VALVE, INTAKE [INCL. IN CYLINDER HEAD ASM.]	4
10	1040163	GUIDE, VALVE, EXHAUST [INCL. IN CYLINDER HEAD ASM.]	4
11	1039498	PIN, DOWEL, M6x10	2
12	1039610	PLUG-3/8 NPT,HX/SOC W/SEALANT	4
13	1039760	SCR-HXFL-M6X1.0X35 10.9 ZY3	10
14	1039732	SCR-HXFL M6X1.0X70 B18.2.3.4M	2
15	1039812	DOWEL, HOLLOW, M8X8	4
16	1008817	SEAT, W/SEAL, VALVE SPRING	8
17	1039504	RETAINER, VALVE	8
18	1039838	TAPPET, VALVE, GRADED, 4.400	AR
18	1039839	TAPPET, VALVE, GRADED, 4.425	AR
18	1039840	TAPPET, VALVE, GRADED, 4.450	AR
18	1039841	TAPPET, VALVE, GRADED, 4.475	AR
18	1039842	TAPPET, VALVE, GRADED, 4.500	AR
18	1039843	TAPPET, VALVE, GRADED, 4.525	AR
18	1039844	TAPPET, VALVE, GRADED, 4.550	AR
18	1039845	TAPPET, VALVE, GRADED, 4.575	AR
18	1039846	TAPPET, VALVE, GRADED, 4.600	AR

# ENGINE, CYLINDER HEAD AND VALVES

2022 RZR TRAIL S 1000 EPS EU/TRACTOR (R02) - Z22ASE99F4/F5/S99C4/C5

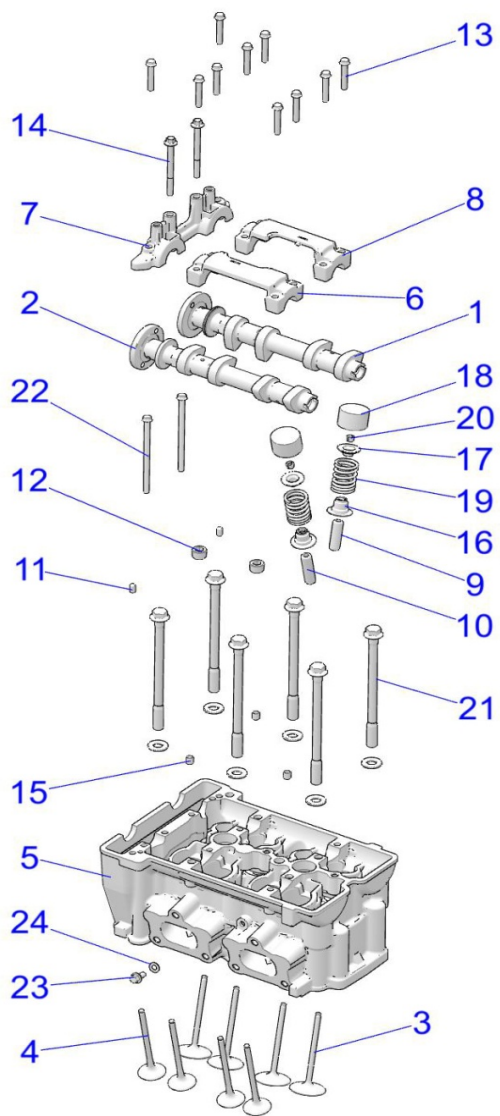


POS	SAP	Part Name	Qty
18	1039847	TAPPET, VALVE, GRADED, 4.625	AR
18	1039848	TAPPET, VALVE, GRADED, 4.650	AR
18	1039849	TAPPET, VALVE, GRADED, 4.675	AR
18	1041355	TAPPET, VALVE, GRADED, 4.700	AR
18	1039851	TAPPET, VALVE, GRADED, 4.725	AR
18	1039852	TAPPET, VALVE, GRADED, 4.750	AR
18	1039853	TAPPET, VALVE, GRADED, 4.775	AR
18	1039854	TAPPET, VALVE, GRADED, 4.800	AR
18	1039855	TAPPET, VALVE, GRADED, 4.825	AR
18	1039856	TAPPET, VALVE, GRADED, 4.850	AR
18	1039857	TAPPET, VALVE, GRADED, 4.875	AR
18	1039858	TAPPET, VALVE, GRADED, 4.900	AR
18	1039859	TAPPET, VALVE, GRADED, 4.925	AR
18	1039860	TAPPET, VALVE, GRADED, 4.950	AR
18	1039861	TAPPET, VALVE, GRADED, 4.975	AR
18	1039862	TAPPET, VALVE, GRADED, 5.000	AR
18	1039863	TAPPET, VALVE, GRADED, 5.025	AR
18	1039864	TAPPET, VALVE, GRADED, 5.050	AR
18	1039865	TAPPET, VALVE, GRADED, 5.075	AR
18	1039866	TAPPET, VALVE, GRADED, 5.100	AR
18	1039867	TAPPET, VALVE, GRADED, 5.125	AR
18	1039868	TAPPET, VALVE, GRADED, 5.150	AR
18	1039869	TAPPET, VALVE, GRADED, 5.175	AR
18	1039870	TAPPET, VALVE, GRADED, 5.200	AR
18	1039871	TAPPET, VALVE, GRADED, 5.225	AR
18	1039872	TAPPET, VALVE, GRADED, 5.250	AR
18	1039873	TAPPET, VALVE, GRADED, 5.275	AR
18	1039874	TAPPET, VALVE, GRADED, 5.300	AR
18	1039875	TAPPET, VALVE, GRADED, 5.325	AR



## ENGINE, CYLINDER HEAD AND VALVES

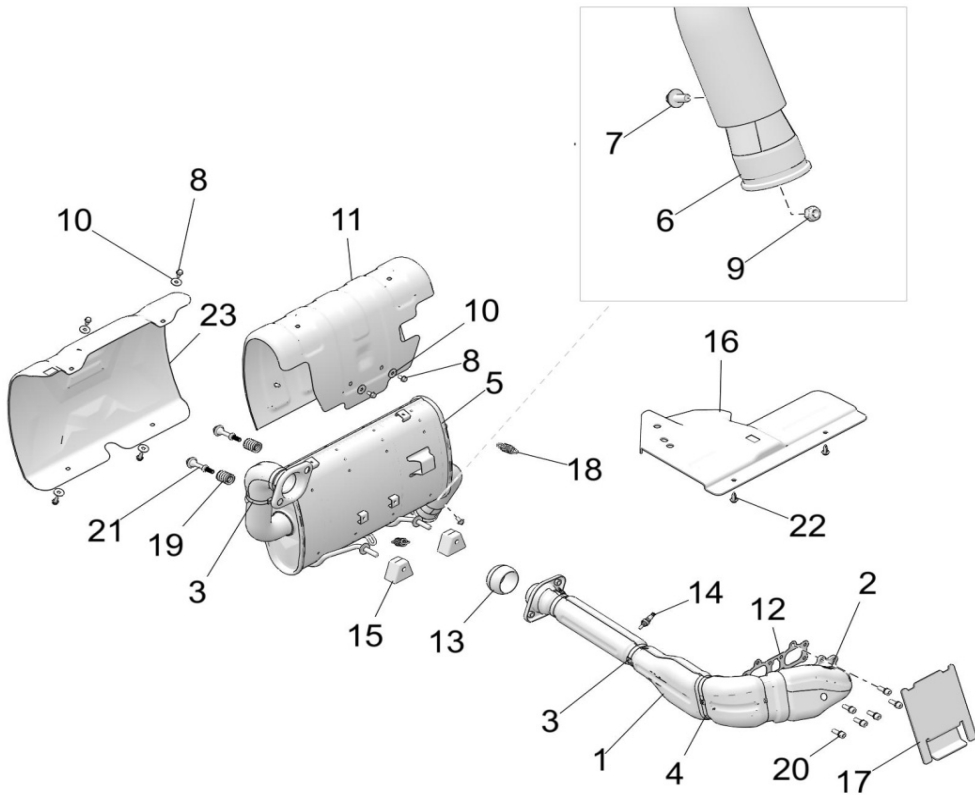
2022 RZR TRAIL S 1000 EPS EU/TRACTOR (R02) - Z22ASE99F4/F5/S99C4/C5



POS	SAP	Part Name	Qty
18	1039876	TAPPET, VALVE, GRADED, 5.350	AR
18	1039877	TAPPET, VALVE, GRADED, 5.375	AR
18	1039878	TAPPET, VALVE, GRADED, 5.400	AR
18	1039879	TAPPET, VALVE, GRADED, 5.425	AR
18	1039880	TAPPET, VALVE, GRADED, 5.450	AR
19	1045719	SPRING, VALVE	8
20	1039631	KEEPER, VALVE	16
21	1040092	SCR-HXFL,M11X1.25X150 10.9 SEM	6
22	1014449	SCR-HXFLG,M6X1.0X90	2
23	1039764	SCR-M6X1.0X13,SL/HX/FL-Z,BLEED	1
24	1039801	WASHER-FLAT,6.15X12X1MM-AL	1

# ENGINE, EXHAUST SYSTEM

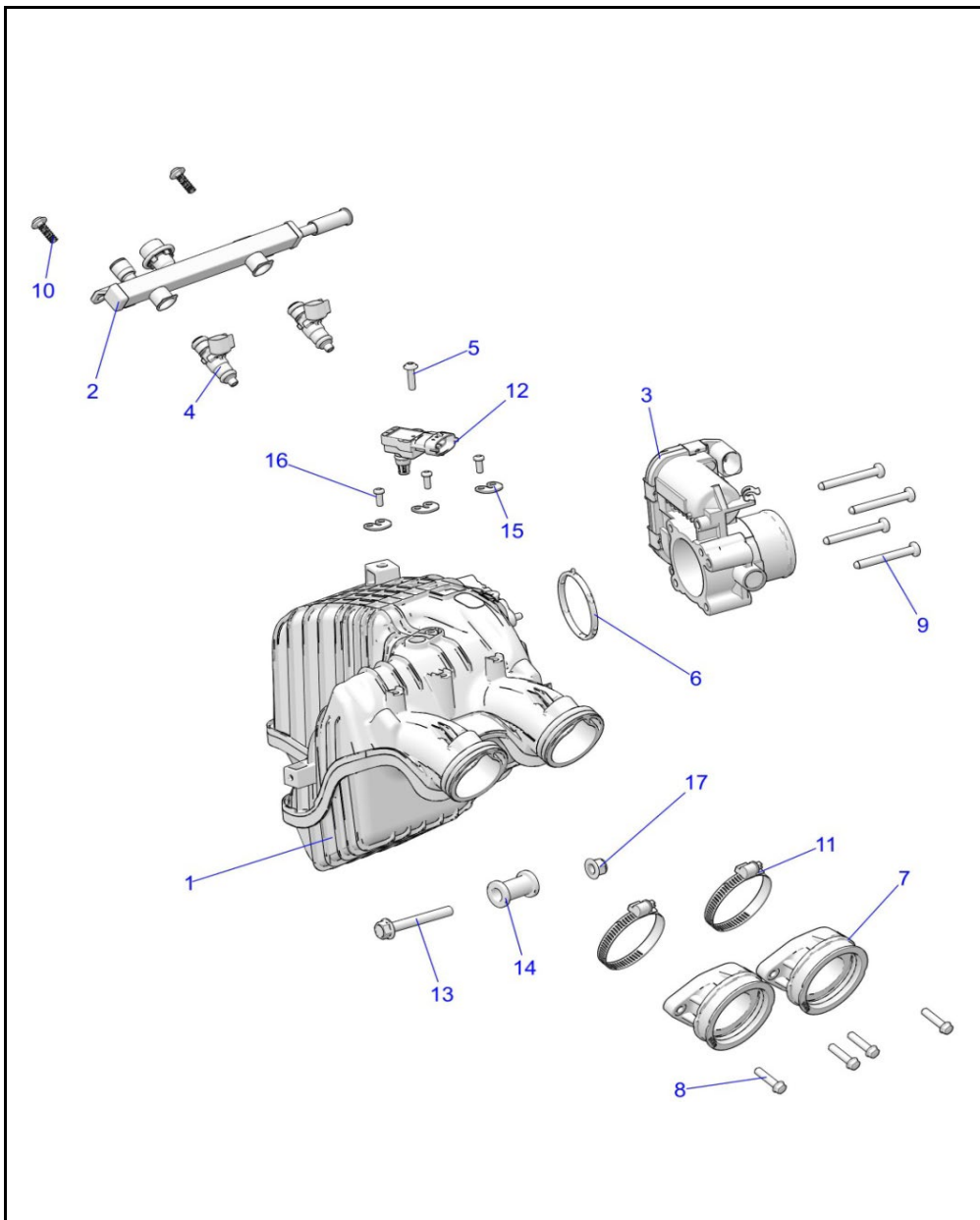
2022 RZR TRAIL S 1000 EPS EU/TRACTOR (R02) - Z22ASE99F4/F5/S99C4/C5



POS	SAP	Part Name	Qty
1	<a href="#">1045720</a>	ASM., HEADPIPE [INCL. 2-4]	1
2	<a href="#">1039626</a>	CLAMP,HEAT SHIELD, EXHAUST ADD	2
3	<a href="#">1039632</a>	CLAMP, HEAT SHIELD, EXHAUST	4
3	<a href="#">1039632</a>	CLAMP, HEAT SHIELD, EXHAUST	4
4	<a href="#">1045266</a>	CLAMP-HEAT SHIELD,EXHAUST	2
5	<a href="#">1045721</a>	ASM-SILENCER [INCL. 3,6-11]	1
6	<a href="#">1040436</a>	WELD-SPARK ARRESTOR,AVA875	1
7	<a href="#">1039661</a>	SCREW-HXFL-M6X1.0X12 10.9 ZPC	1
8	<a href="#">1040437</a>	SCR-1/4-20X1/2,TFM HW-M	8
8	<a href="#">1040437</a>	SCR-1/4-20X1/2,TFM HW-M	8
9	<a href="#">1039777</a>	NUT-HEXHD,M6,DIN980V,0600100	1
10	<a href="#">1040438</a>	WASHER-.28 X .81 X .06, ST-M	8
10	<a href="#">1040438</a>	WASHER-.28 X .81 X .06, ST-M	8
11	<a href="#">1045722</a>	SHIELD-SILENCER	1
12	<a href="#">1008814</a>	GASKET, EXHAUST SEAL	1
13	<a href="#">1008819</a>	GASKET-DOUBLE SPHERICAL,2"	1
14	<a href="#">1009594</a>	SENSOR, OXYGEN	1
15	<a href="#">1039569</a>	MOUNT, ISOLATOR	2
16	<a href="#">1045723</a>	SHIELD-FRONT BOX	1
17	<a href="#">1045268</a>	SHIELD, ACCESS PANEL	1
18	<a href="#">1013996</a>	SPRING, EXHAUST	2
19	<a href="#">1014011</a>	SPRING, SPHERICAL, EXHAUST	2
20	<a href="#">1039711</a>	SCR-HXFL-M5X0.8X12 4.8 ZPC NYL	6
21	<a href="#">1014477</a>	STUD, SPHERICAL, EXHAUST	2
22	<a href="#">1014589</a>	RIVET-TUFLOK,.315-.325X.787	2
23	<a href="#">1045724</a>	SHIELD-SILENCER,OUTER,BLK	1

## ENGINE, INTAKE and THROTTLE BODY

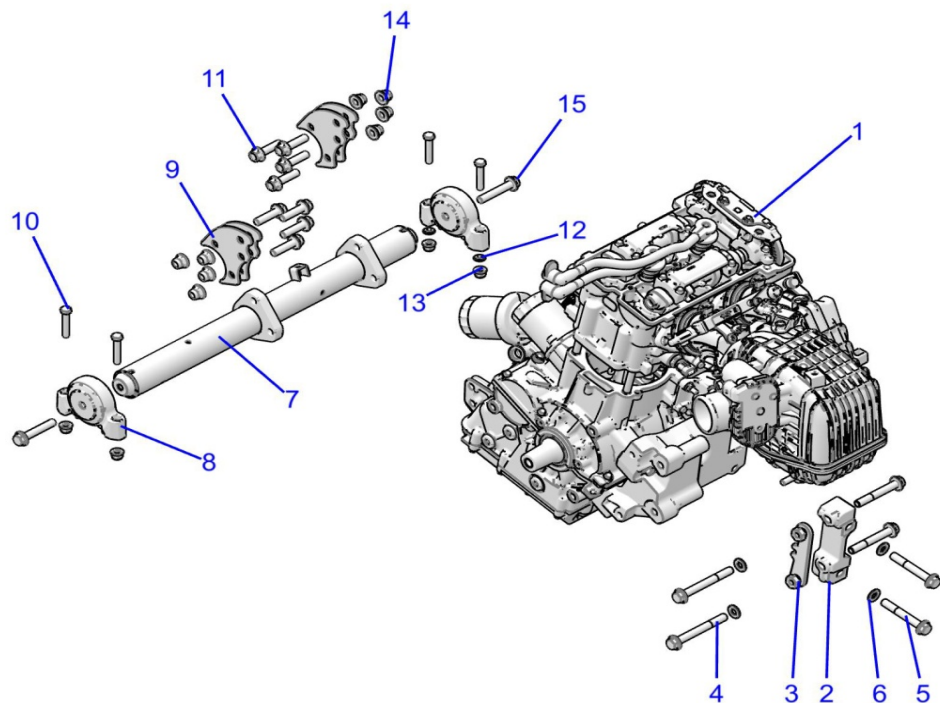
2022 RZR TRAIL S 1000 EPS EU/TRACTOR (R02) - Z22ASE99F4/F5/S99C4/C5



POS	SAP	Part Name	Qty
1	<a href="#">1045725</a>	MANIFOLD-INTAKE,COMPOSITE,19 [INCL. 6,13,14]	1
2	<a href="#">1045726</a>	RAIL, FUEL	1
3	<a href="#">1002283</a>	ASM., THROTTLE BODY	1
4	<a href="#">1003392</a>	O-RING-BOSCH,EV-14,UPPER, BLUE	2
4	<a href="#">1039383</a>	INJ., EV 14 COMP, EXT [INCL. O-RINGS]	2
4	<a href="#">1045283</a>	O-RING GREEN, LOWER	2
5	<a href="#">1040441</a>	SCREW-PLASTITE,5.0MMX20-PN-T25	1
6	<a href="#">1040442</a>	GASKET-ETC,EN.0113664	1
7	<a href="#">1045727</a>	ADAPTER-THROTTLE BODY,1 PIECE	1
8	<a href="#">1039744</a>	SCREW-HXFLG,M6X1.0X25,10.9	4
9	<a href="#">1040444</a>	SCR-1/4X2 HI/LO-PH-PN TRX-M	4
10	<a href="#">1045728</a>	SCR-TXWH-6MMX20MM DELTA PT CLR	2
11	<a href="#">1039614</a>	CLAMP, BAND, NARROW	2
12	<a href="#">1005828</a>	SENSOR, T-MAP, DSS3-TF	1
13	<a href="#">1039746</a>	SCR-HXFL-M8X1.25X60 8.8 ZOD	1
14	<a href="#">1040446</a>	GROMMET-LX.0113665	1
15	<a href="#">1040447</a>	CLIP, INTAKE ROUTING	3
16	<a href="#">1040448</a>	SCREW-PLASTITE,4.5MM	3
17	<a href="#">1014499</a>	NUT- M8X1.25, FLG, NYLOC-OLIVE D	1

## ENGINE, MOUNTING

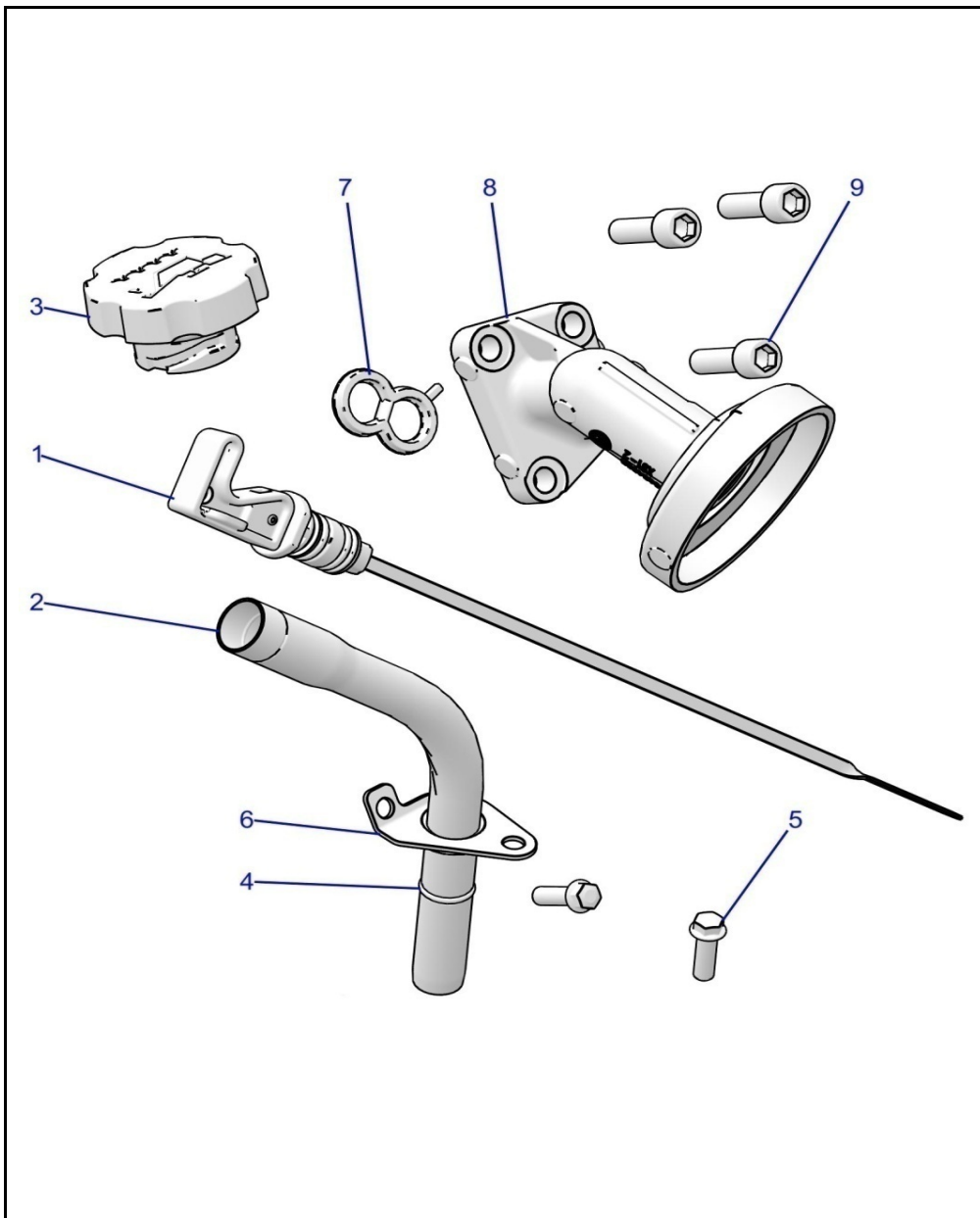
2022 RZR TRAIL S 1000 EPS EU/TRACTOR (R02) - Z22ASE99F4/F5/S99C4/C5



POS	SAP	Part Name	Qty
1	<a href="#">1045729</a>	ENGINE, LONG BLOCK	1
2	<a href="#">1045272</a>	BRACKET, TRANSMISSION JOINT, MACH	1
3	<a href="#">1039526</a>	WELD-NUT, PLATE	1
4	<a href="#">1014442</a>	SCR-HXFL-M10X1.25X95 10.9 ZOD	2
5	<a href="#">1038235</a>	SCR-HXFL-M10X1.25X75 10.9 ZOD	4
6	<a href="#">1014520</a>	WASHER-3/8 FW SAE STL THRU-HRD	6
7	<a href="#">1045730</a>	WELD-MOUNT,ENGINE,E.COAT	1
8	<a href="#">1039356</a>	MOUNT, ISOLATOR, DRIVELINE	2
9	<a href="#">1039519</a>	BRACKET, MOUNT, ENGINE	4
10	<a href="#">1039723</a>	SCREW-HH M8X1.25X45 8.8 ZOD	4
11	<a href="#">1039751</a>	SCR-HXFL-M10X1.25X40 8.8 ZOD	8
12	<a href="#">1039776</a>	NUT-5/16-PAL-Y	4
13	<a href="#">1014499</a>	NUT- M8X1.25, FLG, NYLOC-OLIVE D	4
14	<a href="#">1014500</a>	NUT-M10X1.25, FLG, NYLOC-OLIVE D	8
15	<a href="#">1039707</a>	SCR-HXFL-M10X1.25X60 10.9 ZOD	2

## ENGINE, OIL DIPSTICK

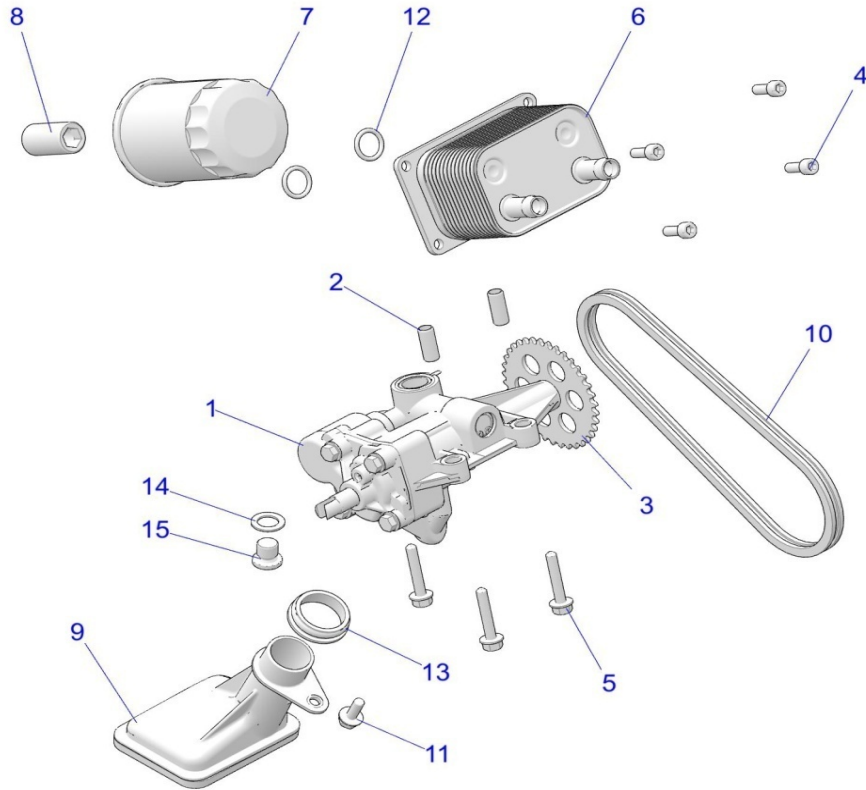
2022 RZR TRAIL S 1000 EPS EU/TRACTOR (R02) - Z22ASE99F4/F5/S99C4/C5



POS	SAP	Part Name	Qty
1	<a href="#">1007016</a>	DIPSTICK, ENGINE OIL	1
2	<a href="#">1039347</a>	ASM., OIL FILL TUBE [INCL. 4]	1
3	<a href="#">1002289</a>	ASM., CAP, OIL FILL [INCL. CAP AND O-RING}	1
3	<a href="#">1011803</a>	O-RING, OIL FILL CAP	1
4	<a href="#">1039541</a>	O-RING, 12MMX2MM	1
5	<a href="#">1039698</a>	SCREW-HXFL-M6X1.0X20 8.8 ZY3	2
6	<a href="#">1039511</a>	BRACKET, TUBE, OIL FILL, LOWER	1
7	<a href="#">1045262</a>	SEAL-FILTER ADAPTER-3HOLE	1
8	<a href="#">1045263</a>	ADAPTER-OIL FILTER, MACH	1
9	<a href="#">1045264</a>	SCR-SH-M8X1.25X25 8.8 ZPC NYL	3

# ENGINE, OIL PUMP and OIL COOLER

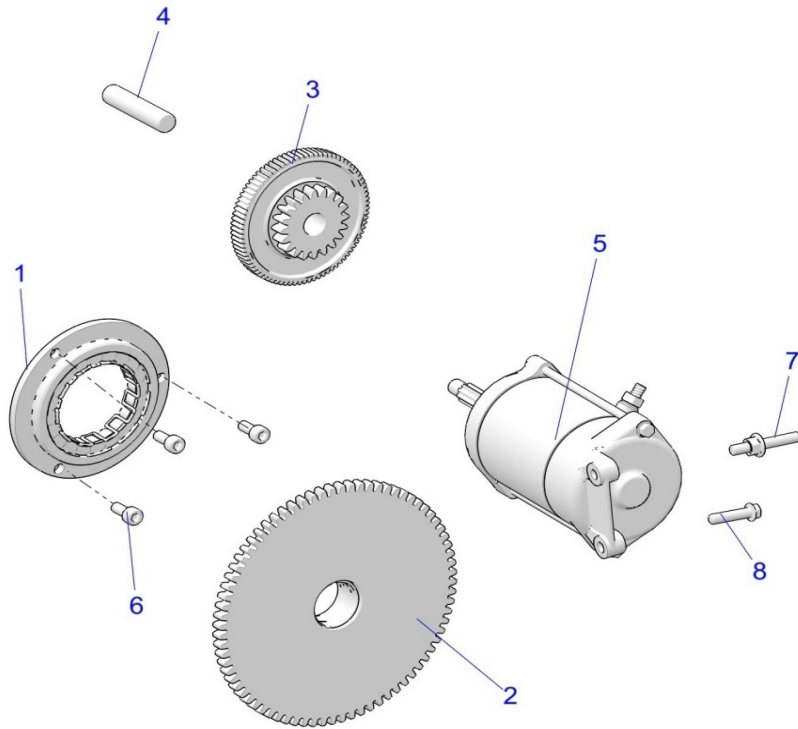
2022 RZR TRAIL S 1000 EPS EU/TRACTOR (R02) - Z22ASE99F4/F5/S99C4/C5



POS	SAP	Part Name	Qty
1	<a href="#">1039414</a>	PUMP, OIL [INCL. 3,O-RING]	1
1	<a href="#">1045274</a>	O-RING,OIL PUMP	1
2	<a href="#">1039811</a>	DOWEL, HOLLOW, OIL PUMP	2
3	<a href="#">1040163</a>	SPROCKET, OIL PUMP	1
4	<a href="#">1039747</a>	SCREW-SH-M6X1.0X16 8.8 ZPY D204	4
5	<a href="#">1039660</a>	SCR-M6X1.0X35,HX/FL-Y/D	3
6	<a href="#">1039352</a>	COOLER, OIL TO WATER, 7	1
7	<a href="#">1006092</a>	Filter, Oil, 10 Micron	1
7	<a href="#">1040452</a>	FILTER-HD,OIL [HD OPTION]	1
8	<a href="#">1039385</a>	ADAPTER, FILTER, STRAIGHT	1
9	<a href="#">1039386</a>	PICKUP, OIL PUMP, WET SUMP	1
10	<a href="#">1039418</a>	CHAIN-OIL PUMP DRIVE,G-90	1
11	<a href="#">1039735</a>	SCR-HXFL-M6X1.0X16 8.8 ZYL NYL	1
12	<a href="#">1039540</a>	O-RING, .612X.818X.103	2
13	<a href="#">1039561</a>	SEAL-PICKUP	1
14	<a href="#">1012351</a>	WASHER-19X12X1.3,COPPER	1
15	<a href="#">1014028</a>	PLUG-SOCKET,M12X1.5 DIN 908A	1

# ENGINE, STARTER and DRIVE

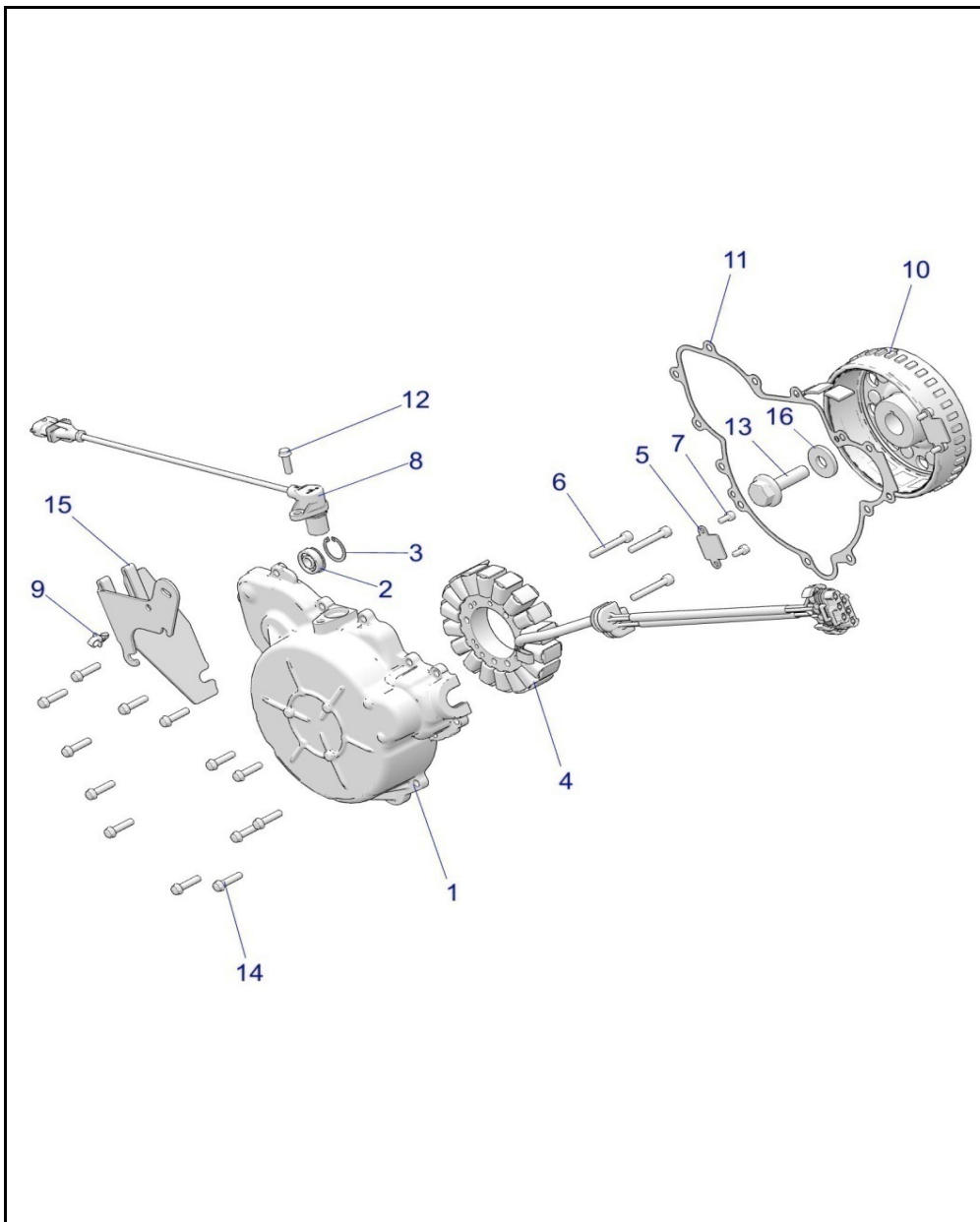
2022 RZR TRAIL S 1000 EPS EU/TRACTOR (R02) - Z22ASE99F4/F5/S99C4/C5



POS	SAP	Part Name	Qty
1	<a href="#">1002291</a>	ASM., SPRAG CLUTCH, HUB, STARTER	1
2	<a href="#">1002282</a>	ASM., GEAR, STARTER , CRANK	1
3	<a href="#">1007014</a>	ASM., TORQUE LIMIT GEAR [TO 2/1/2022]	1
3	<a href="#">1045275</a>	ASM., TORQUE LIMIT GEAR [FROM 2/1/2022]	1
4	<a href="#">1007006</a>	PIN, TORQUE LIMIT GEAR	1
5	<a href="#">1009586</a>	STARTER, 9T, CW, ROT, SPACER	1
6	<a href="#">1014428</a>	SCREW-M6X1.0X14.0,HX/SOC/CP-Y/D	3
7	<a href="#">1039736</a>	STUD-DOUBLE,END,M6X1.0X25/10	1
8	<a href="#">1039744</a>	SCREW-HXFLG,M6X1.0X25,10.9	1

## ENGINE, STATOR and COVER

2022 RZR TRAIL S 1000 EPS EU/TRACTOR (R02) - Z22ASE99F4/F5/S99C4/C5

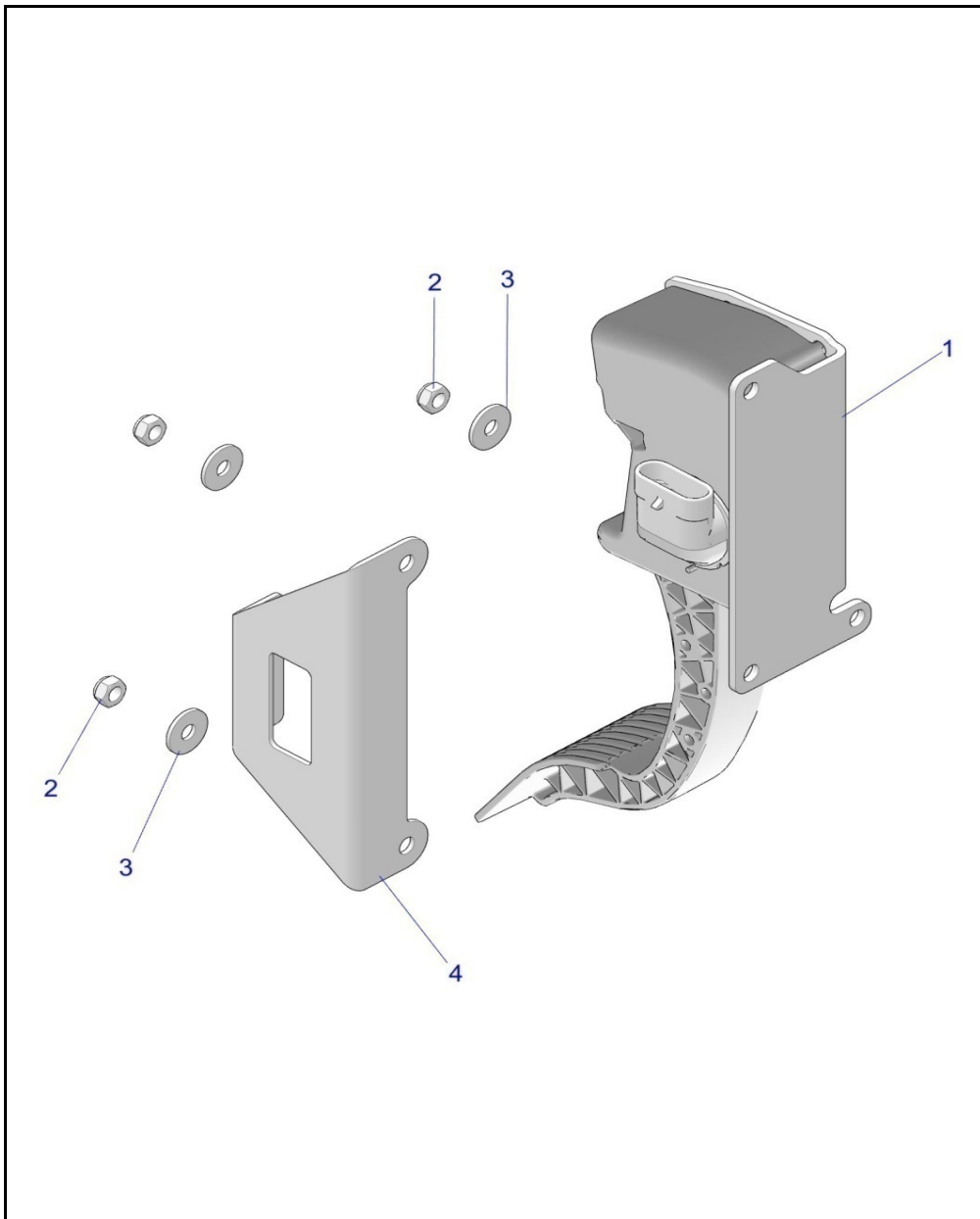


POS	SAP	Part Name	Qty
1	<a href="#">1045276</a>	ASM-IGN COVER,STARTER BRG [INCL. 3,4]	1
2	<a href="#">1039484</a>	BEARING-BALL,9X24X7	1
3	<a href="#">1039819</a>	RING-SNAP,DIN472,24X1.2MM	1
4	<a href="#">1009592</a>	STATOR	1
5	<a href="#">1039512</a>	BRACKET, RETAINER, WIRE	1
6	<a href="#">1039653</a>	SCR-M6X1.0X40,HX/SOC/CP-Y/D	3
7	<a href="#">1039665</a>	SCREW-M5X0.8X10 SOC/CP-D	2
8	<a href="#">1005829</a>	SENSOR, CRANK POSITION	1
9	<a href="#">1040407</a>	CLIP-WIRE, 6.35MM	1
10	<a href="#">1039489</a>	FLYWHEEL	1
11	<a href="#">1012355</a>	GASKET, COVER, IGNITION	1
12	<a href="#">1039698</a>	SCREW-HXFL-M6X1.0X20 8.8 ZY3	1
13	<a href="#">1014481</a>	SCREW-HXFL-M12X1.25X43 12.9	1
14	<a href="#">1039744</a>	SCREW-HXFLG,M6X1.0X25,10.9	13
15	<a href="#">1040405</a>	BRACKET, BYPASS, SHIFTER	1
16	<a href="#">1014531</a>	WSHR-32X12X4,HARD	1



# ENGINE, THROTTLE PEDAL

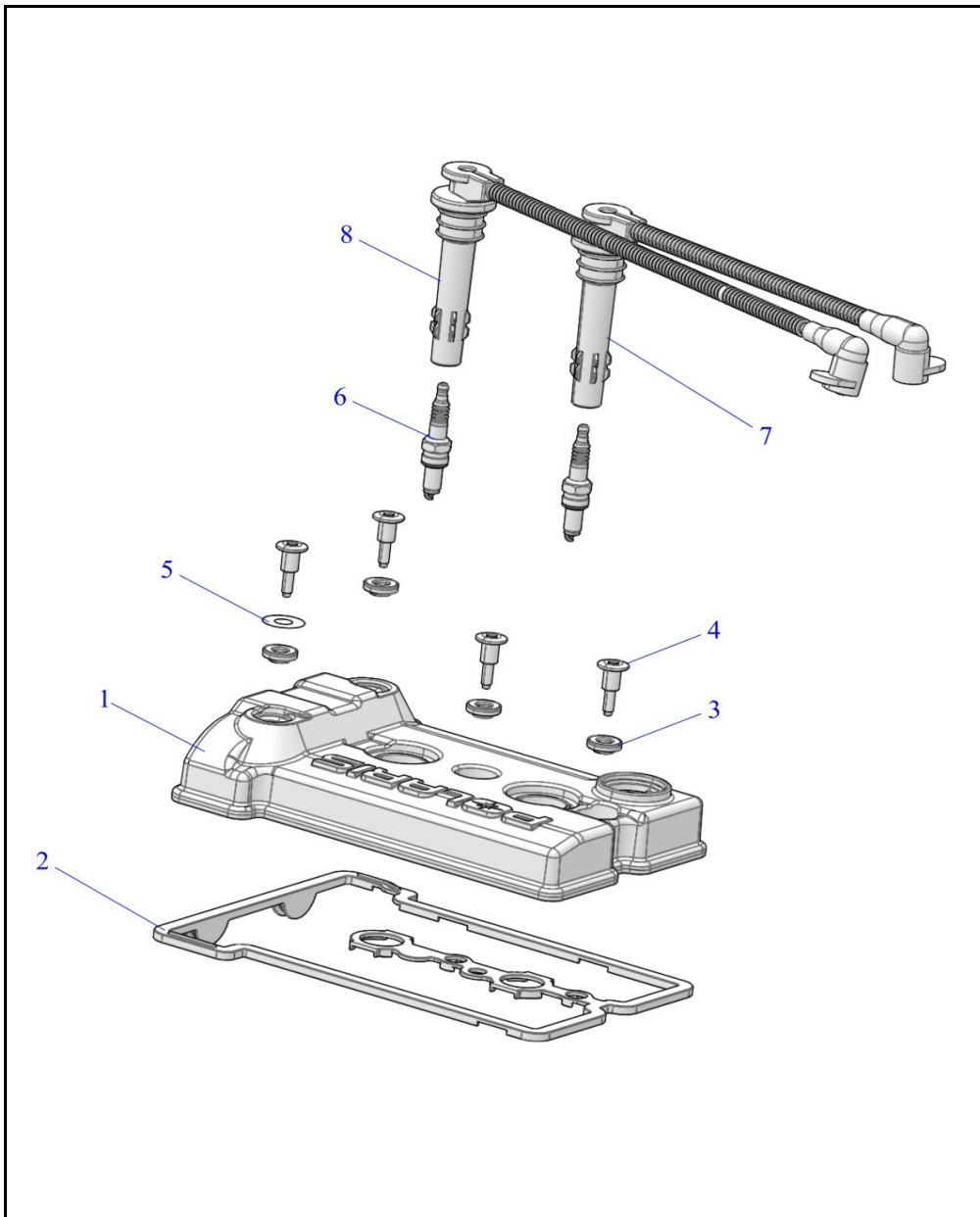
2022 RZR TRAIL S 1000 EPS EU/TRACTOR (R02) - Z22ASE99F4/F5/S99C4/C5



POS	SAP	Part Name	Qty
1	<a href="#">1009578</a>	PEDAL, ELECTRONIC, THROTTLE	1
2	<a href="#">1039773</a>	NUT-6MM X 1 NYLOK-Z	3
2	<a href="#">1039773</a>	NUT-6MM X 1 NYLOK-Z	3
3	<a href="#">1039804</a>	WASHER-6.4X18.0X1.6 ZC	3
3	<a href="#">1039804</a>	WASHER-6.4X18.0X1.6 ZC	3
4	<a href="#">1039895</a>	PEDAL-BRACKET,M.BLK	1

## ENGINE, VALVE COVER, SPARKPLUGS and WIRES

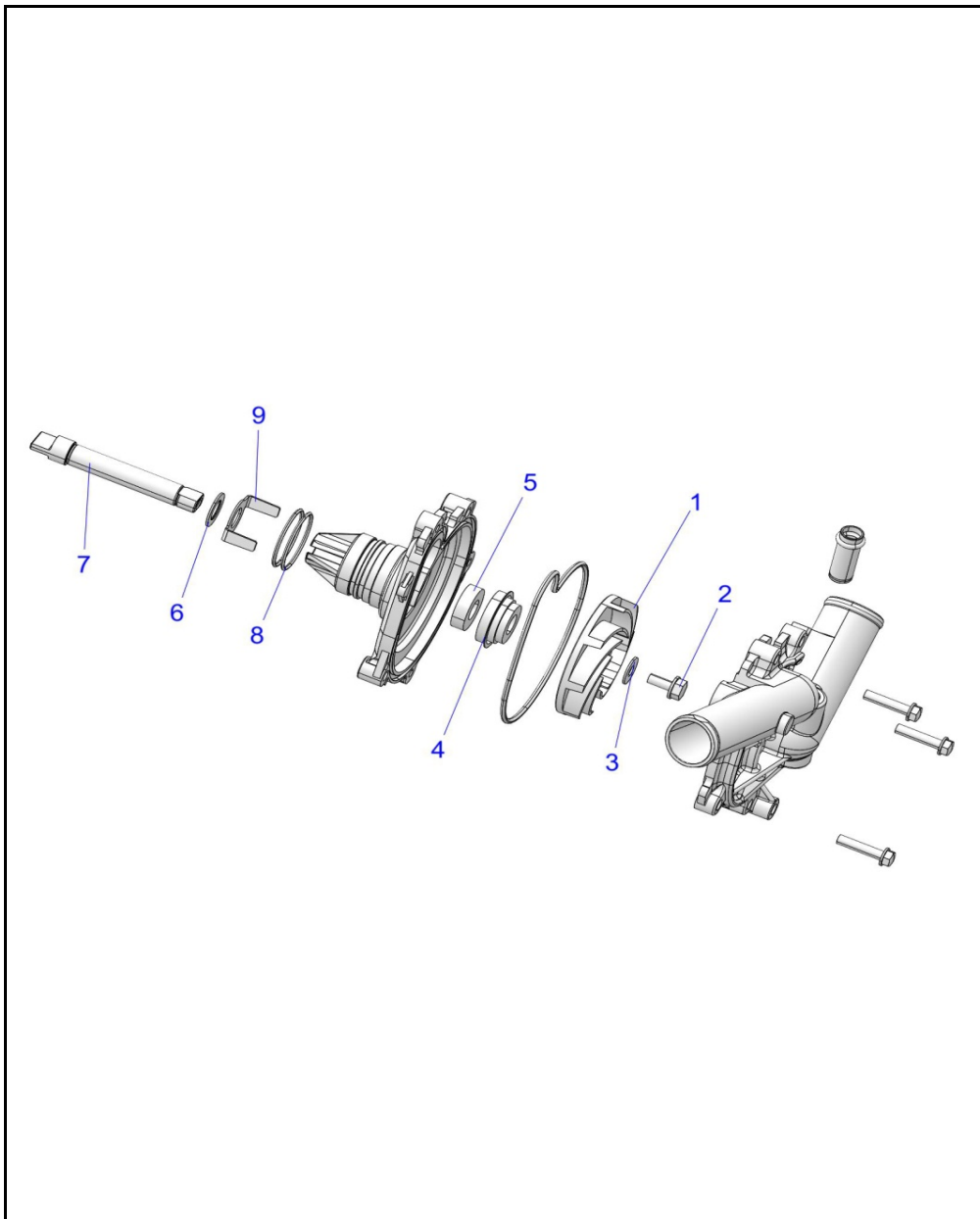
2022 RZR TRAIL S 1000 EPS EU/TRACTOR (R02) - Z22ASE99F4/F5/S99C4/C5



POS	SAP	Part Name	Qty
1	<a href="#">1045278</a>	COVER-VALVE,CAST,2CYL,DOHC	1
2	<a href="#">1011807</a>	SEAL, VALVE COVER, 2CY	1
3	<a href="#">1011796</a>	ISOLATOR, VALVE COVER	4
4	<a href="#">1039730</a>	SCREW-TXPH-M6X1.0X14 8.8 A2K SHB	4
5	<a href="#">1014530</a>	WASHER, GROUNDING	1
6	<a href="#">1007009</a>	PLUG, SPARK, 10 MM	2
7	<a href="#">1009604</a>	WIRE, SPARK PLUG, PTO	1
8	<a href="#">1009603</a>	WIRE, SPARK PLUG, MAG	1

# ENGINE, WATERPUMP

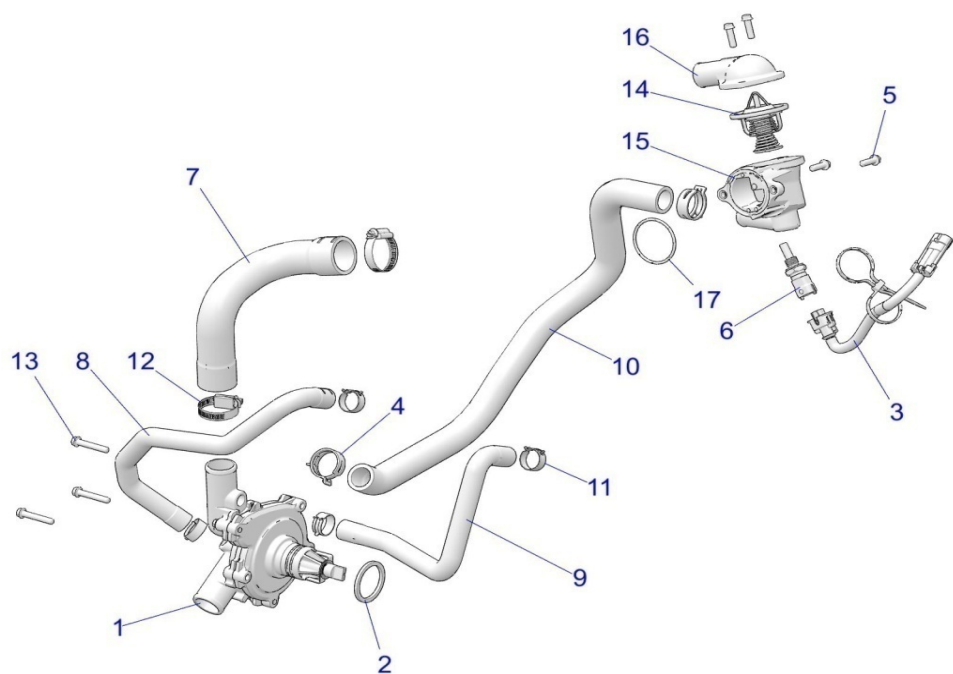
2022 RZR TRAIL S 1000 EPS EU/TRACTOR (R02) - Z22ASE99F4/F5/S99C4/C5



POS	SAP	Part Name	Qty
-	<a href="#">1040163</a>	ASM, WATERPUMP [INCL. ALL]	1
1	<a href="#">1040417</a>	IMPELLER, WATERPUMP	1
2	<a href="#">1040416</a>	SCREW	1
3	<a href="#">1040415</a>	WASHER, IMPELLER	1
4	<a href="#">1040414</a>	SEAL, WATERPUMP SHAFT, MECHANICAL	1
5	<a href="#">1040413</a>	SEAL, WATERPUMP SHAFT, OIL	1
6	<a href="#">1040412</a>	WASHER, WATERPUMP, RETAINER	1
7	<a href="#">1040411</a>	SHAFT, WATERPUMP,	1
8	<a href="#">1040410</a>	O-RING	1
9	<a href="#">1040409</a>	WASHER, WATERPUMP,RETAINER	1

## ENGINE, WATERPUMP AND BYPASS

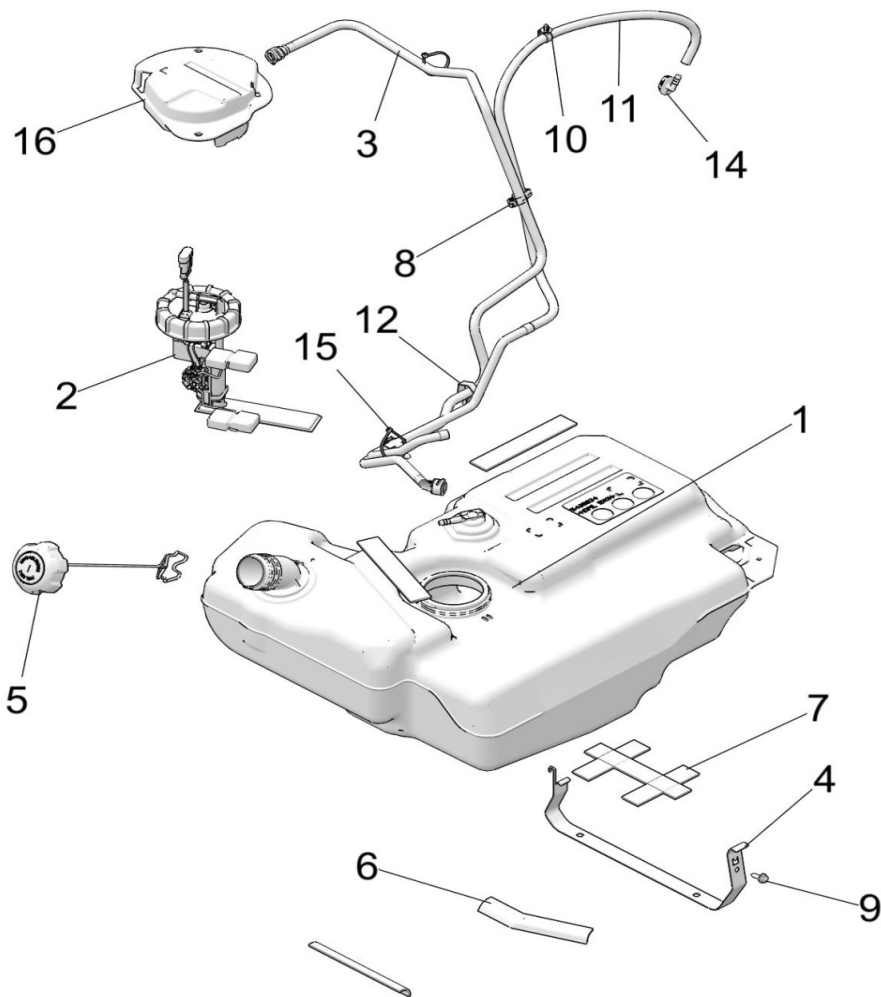
2022 RZR TRAIL S 1000 EPS EU/TRACTOR (R02) - Z22ASE99F4/F5/S99C4/C5



POS	SAP	Part Name	Qty
1	<a href="#">1002290</a>	ASM, WATERPUMP	1
2	<a href="#">1039601</a>	FILTER, WATER PUMP	1
3	<a href="#">1039490</a>	WIRE, THERMISTER LEAD	1
4	<a href="#">1039637</a>	CLAMP, SPRINGBAND	2
5	<a href="#">1039698</a>	SCREW-HXFL-M6X1.0X20 8.8 ZY3	4
6	<a href="#">1009561</a>	SENSOR, THERMISTER	1
7	<a href="#">1045284</a>	HOSE, WATER PUMP OUT, FORMED	1
8	<a href="#">1045285</a>	HOSE, OIL COOLER OUTLET	1
9	<a href="#">1045286</a>	HOSE, OIL COOLER IN	1
10	<a href="#">1045287</a>	HOSE, BYPASS	1
11	<a href="#">1039625</a>	CLAMP-HOSE,SPRING .81	4
12	<a href="#">1039628</a>	CLAMP, HOSE (WORM DR) 25-40MM	2
13	<a href="#">1014452</a>	SCR-HXFL-M6X1.0X35, W/PATCHLOK	3
14	<a href="#">1014031</a>	THERMOSTAT, DOUBLE, ACTING, 1MM	1
15	<a href="#">1045731</a>	HOUSING-THERMOSTAT,MACH	1
16	<a href="#">1039587</a>	COVER, THERMOSTAT, CAST	1
17	<a href="#">1045289</a>	O-RING	1

## FUEL SYSTEM, FUEL TANK

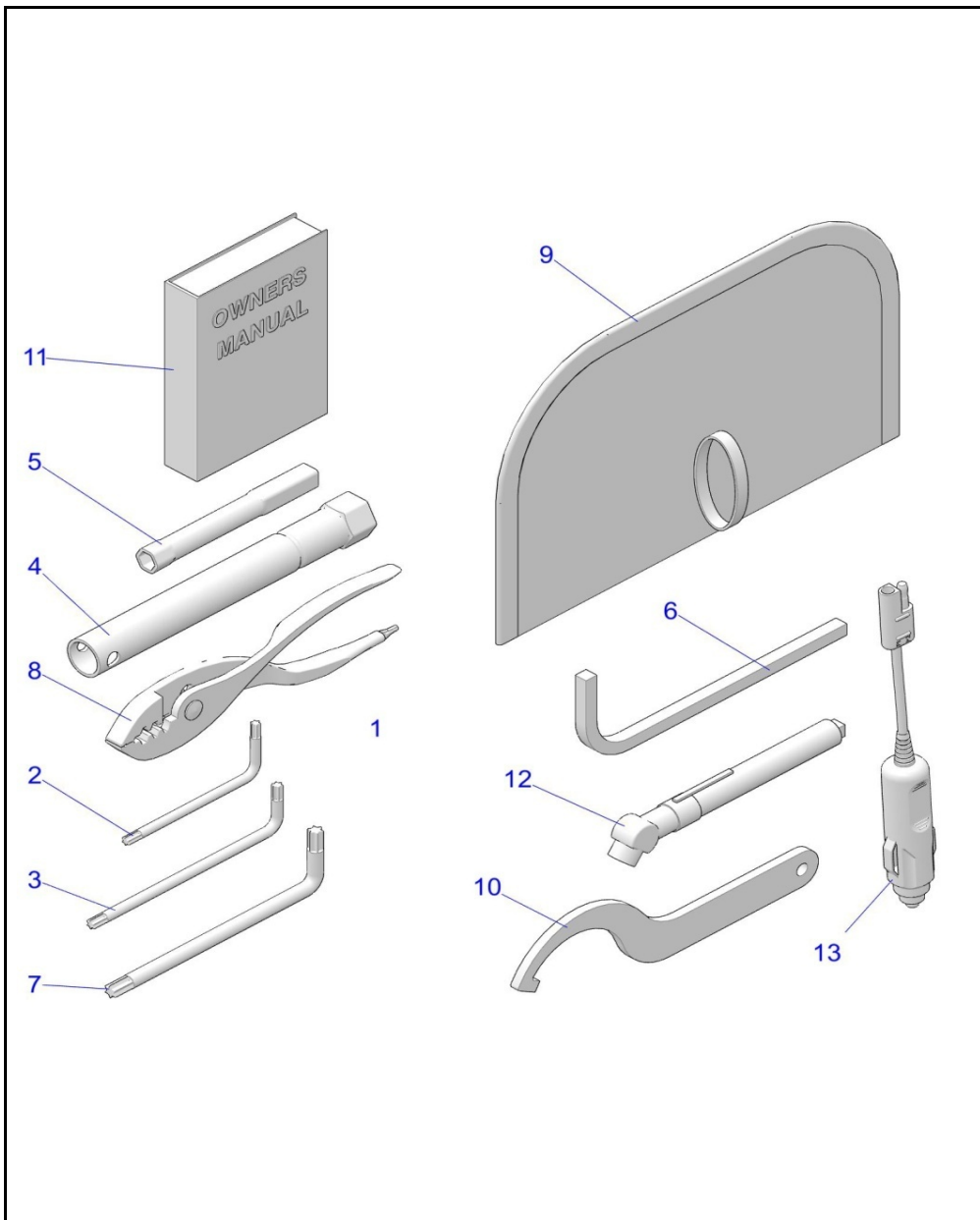
2022 RZR TRAIL S 1000 EPS EU/TRACTOR (R02) - Z22ASE99F4/F5/S99C4/C5



POS	SAP	Part Name	Qty
1	<a href="#">1045732</a>	ASM-FUEL TANK,1000S [INCL. 2]	1
2	<a href="#">1045733</a>	K-FUEL PUMP,RZR-GEN1000	1
3	<a href="#">1045734</a>	ASM-FUEL LINE	1
4	<a href="#">1039887</a>	STRAP, FUEL TANK, BLACK	1
5	<a href="#">1045307</a>	CAP-GAS TANK,TETHER,8.5	1
6	<a href="#">1039594</a>	PAD-BATTERY	5
7	<a href="#">1045735</a>	PAD-TANK STRAP	2
8	<a href="#">1040137</a>	CLIP-HARNESS 3-13MM INTERLCK	2
9	<a href="#">1039683</a>	SCR-M6X1.0X20, HXHD, FLG, TDFM, BK	1
10	<a href="#">1039817</a>	CLIP, ROUTING, .472 B.D., HINGED	1
11	<a href="#">1045736</a>	ASM-VENT LINE,135CM	1
12	<a href="#">1014065</a>	CLIP-ROUTING	2
12	<a href="#">1045737</a>	CLIP FIR-TREE,DOUBLE LOOP	1
14	<a href="#">1039581</a>	FITTING-VENT LINE,90	1
15	<a href="#">1014060</a>	CABLE-TIE,10-102MM,WEATH.-RES.	2
16	<a href="#">1045308</a>	PANEL-ACCESS,TANK,BLK	1

## REFERENCE, OWNERS MANUAL AND TOOL KIT

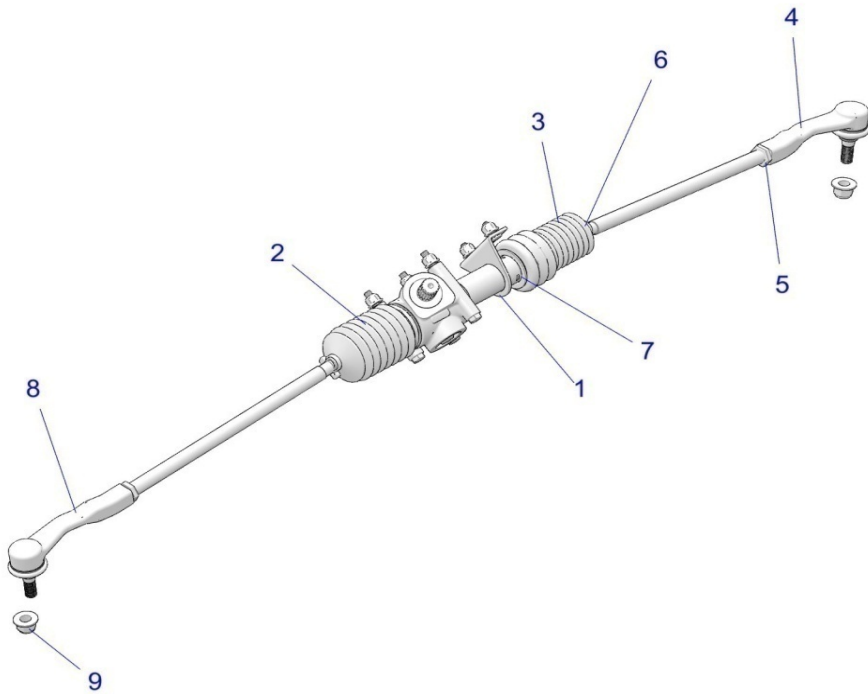
2022 RZR TRAIL S 1000 EPS EU/TRACTOR (R02) - Z22ASE99F4/F5/S99C4/C5



POS	SAP	Part Name	Qty
1	<a href="#">1006632</a>	KIT, ACCESSORY TOOL RANGER [INCL. 2-8]	1
2	<a href="#">1039400</a>	WRENCH, TORX, T-25	1
3	<a href="#">1040163</a>	WRENCH, TORX, T-27	1
4	<a href="#">1040163</a>	SOCKET-SPARK PLUG	1
5	<a href="#">1040163</a>	DRIVER-NUT,8MM	1
6	<a href="#">1040163</a>	HANDLE, LONG-NUT DRIVER, 8MM	1
7	<a href="#">1039403</a>	WRENCH, TORX, T-40	1
8	<a href="#">1039401</a>	PLIERS, COMBO, #2 ASSEMBLY	1
9	<a href="#">1039394</a>	POUCH, TOOL KIT, 9 INCH	1
10	<a href="#">1045313</a>	WRENCH, SPAN/SPREADER, BLACK	1
11	<a href="#">1045738</a>	MAN-OWN, 22 RZR 1000 EU [F5][F4]	1
11	<a href="#">1045739</a>	MAN-OWN, 22 RZR 1000 TR [C5][C4][TO 1/17/2022]	1
11	<a href="#">1045740</a>	MAN-OWN, 22 RZR 1000 TR [C5][C4][FROM 1/17/2022]	1
12	<a href="#">1039402</a>	GAUGE, TIRE PRESSURE, 30 PSI	1
13	<a href="#">1045316</a>	HARN-12 VOLT POWER PLUG	1

# STEERING, GEAR BOX

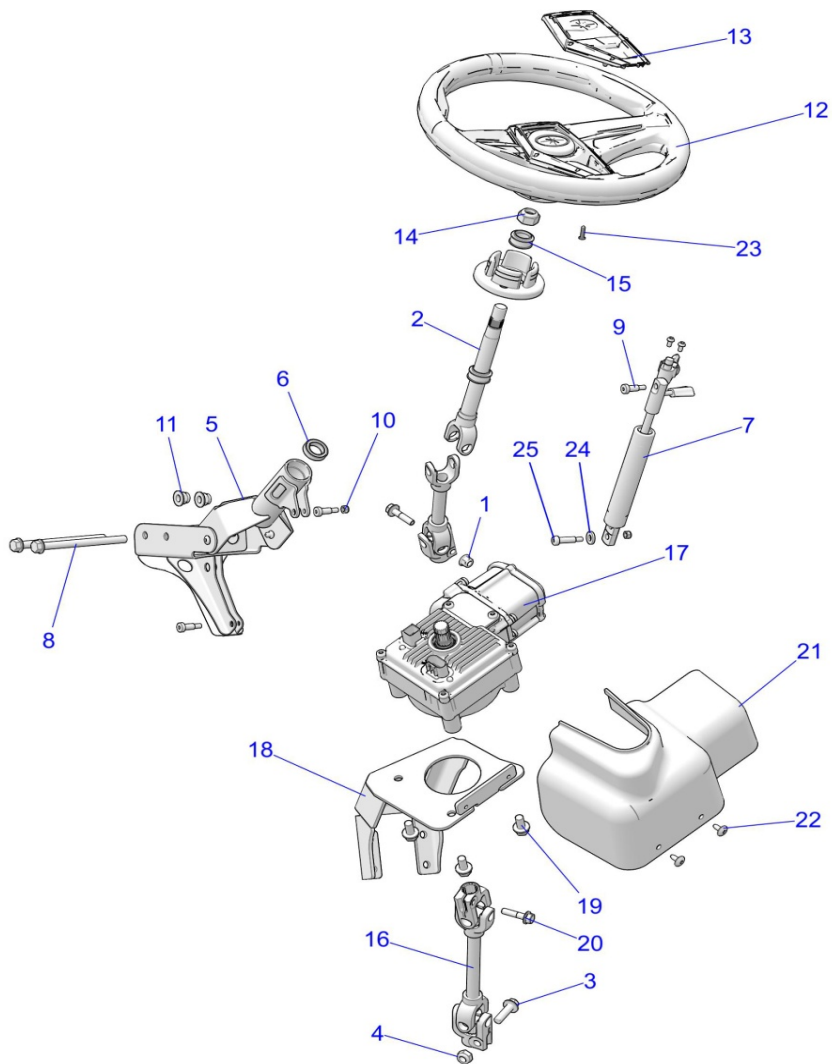
2022 RZR TRAIL S 1000 EPS EU/TRACTOR (R02) - Z22ASE99F4/F5/S99C4/C5



POS	SAP	Part Name	Qty
1	<a href="#">1004099</a>	ASM., GEAR BOX, STEERING [INCL. 2-8]	1
2	<a href="#">1039534</a>	BOOT, DRIVERS SIDE, RACK	1
3	<a href="#">1039535</a>	BOOT, PASSENGER, SIDE RACK	1
4	<a href="#">1014042</a>	ROD, END, TAPERED, RH	1
5	<a href="#">1005156</a>	NUT, JAM, LH THREAD	2
6	<a href="#">1039640</a>	BELLOWS CLAMP, SMALL	2
7	<a href="#">1039624</a>	CLAMP, LARGE, BELLOWS	2
8	<a href="#">1014041</a>	ROD, END, TAPERED, LH	1
9	<a href="#">1014501</a>	NUT-M12X1.5, FLG, NYLOC-OLIVE D	2

# STEERING,STEERING ASSEMBLY, EPS

2022 RZR TRAIL S 1000 EPS EU/TRACTOR (R02) - Z22ASE99F4/F5/S99C4/C5

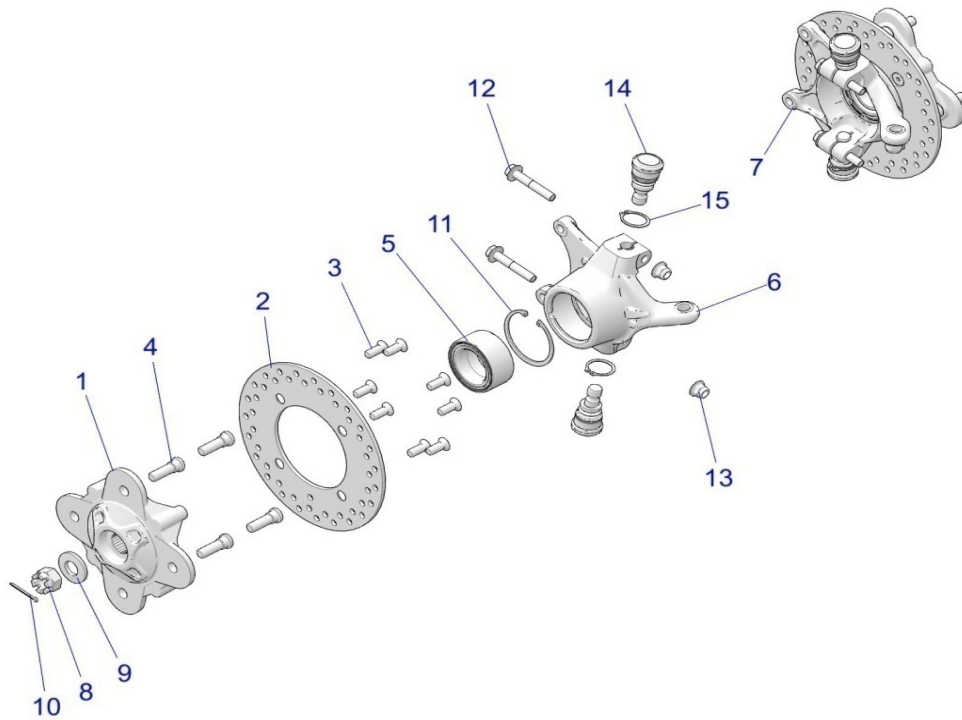


POS	SAP	Part Name	Qty
1	1014499	NUT- M8X1.25, FLG, NYLOC-OLIVE D	7
2	1045318	SHAFT-STEERING,UPPER	1
3	1039702	SCR-HXFL-M10X1.5X35 8.8 ZPC	1
4	1039786	NUT-NY INS,M10X1.5,HEX,ZINC,YW	1
5	1045741	ASM-TILT,STEER,RVTD,M10,MT,BLK [INCL. 6][TO 2/21/2022]	1
5	1045742	ASM-TILT,STEER,RVTD,M10,MT,BLK [INCL. 6][FROM 2/21/2022]	1
6	1040467	BEARING, STEERING	2
7	1014013	ASM-SHOCK,OIL LOCKING,SHORT	1
8	1039703	BOLT-M10X1.25X130,HXFLG-OLIVED	2
9	1039761	BOLT-SHOULDER,M8-15,M6X1.0-BLK [TO 2/21/2022]	2
9	1039761	BOLT-SHOULDER,M8-15,M6X1.0-BLK [FROM 2/21/2022]	1
10	1039773	NUT-6MM X 1 NYLOK-Z	2
11	1014500	NUT-M10X1.25, FLG, NYLOC-OLIVE D	2
12	1045743	WHEEL, STEERING	1
13	1045744	CAP-STEERING WHEEL	1
14	1039791	NUT-HEX-M16X2, 8 ZC NYL	1
15	1014528	BUSHING-STEERING	2
16	1045745	SHAFT-STEERING LWR,EPS	1
17	1005858	ASM-POWER STEERING,RZR,2.0T	1
18	1045321	MOUNT-EPS,ECOAT	1
19	1039690	BOLT-M10X1.25X20,HXFLG-OLV D	3
20	1039716	SCR-HXFL-M8X1.25X35 8.8 ZODv	2
21	1039562	COVER, EPS	1
22	1039720	SCR-TXTH-M6X1.0X15 ZPB TAP	2
23	1045746	SCR-#8X3/4-HI/LO-PN-T20TRX-ZTB	2
24	1045747	WASHER 8.4X16.7 [FROM 2/21/2022]	1
25	1045748	SCREW-M6X25,ISO7379 [FROM 2/21/2022]	1



# SUSPENSION, FRONT CARRIER

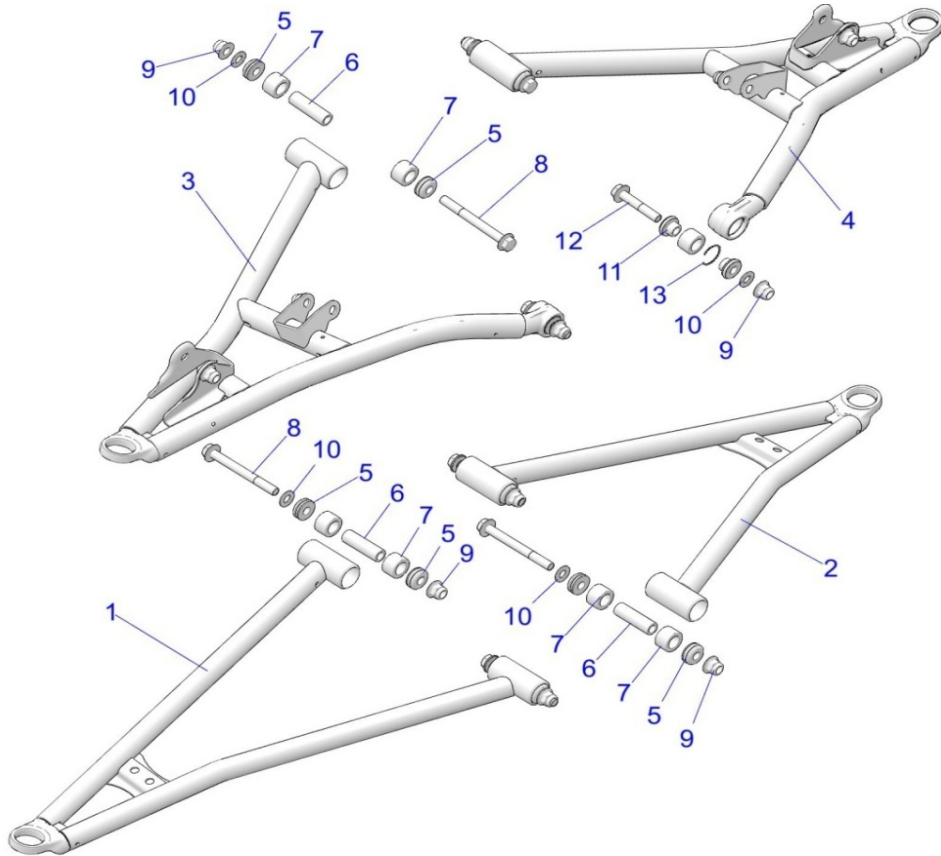
2022 RZR TRAIL S 1000 EPS EU/TRACTOR (R02) - Z22ASE99F4/F5/S99C4/C5



POS	SAP	Part Name	Qty
1	<a href="#">1045749</a>	HUB-WHEEL,MACH,BLK	2
2	<a href="#">1011519</a>	DISC-BRAKE, FRONT	2
3	<a href="#">1014439</a>	SCR-M10X1.5X20 8.8 TXCS FL ZOD	8
4	<a href="#">1014462</a>	STUD-WHEEL,M12-1.5	8
5	<a href="#">1008460</a>	BEARING-BALL,SEALED,44X72X33.1 (HEAVY DUTY)	2
6	<a href="#">1045750</a>	CARRIER-BEARING,WHEEL,LH(MACH)	1
7	<a href="#">1045751</a>	CARRIER-BEARING,WHEEL,RH(MACH)	1
8	<a href="#">1014502</a>	NUT-M18X1.5,CASTLE,ZINC/YELLOW	2
9	<a href="#">1045351</a>	WSHR-BLVL,19X42X4.5-5.08	2
10	<a href="#">1014587</a>	PIN-COTTER 1/8X1 1/2-Y	2
11	<a href="#">1014626</a>	RING, RETAINING, 2.835, INTERNAL	2
12	<a href="#">1014454</a>	SCR-HXFL-M10X1.25X60 10.9 ZOD	4
13	<a href="#">1014500</a>	NUT-M10X1.25, FLG, NYLOC-OLIVE D	4
14	<a href="#">1014087</a>	BALL-JOINT,10MM STUD	4
15	<a href="#">1014623</a>	RING-RETAINER,EXTERNAL,1.188	4

# SUSPENSION, FRONT CONTROL ARMS

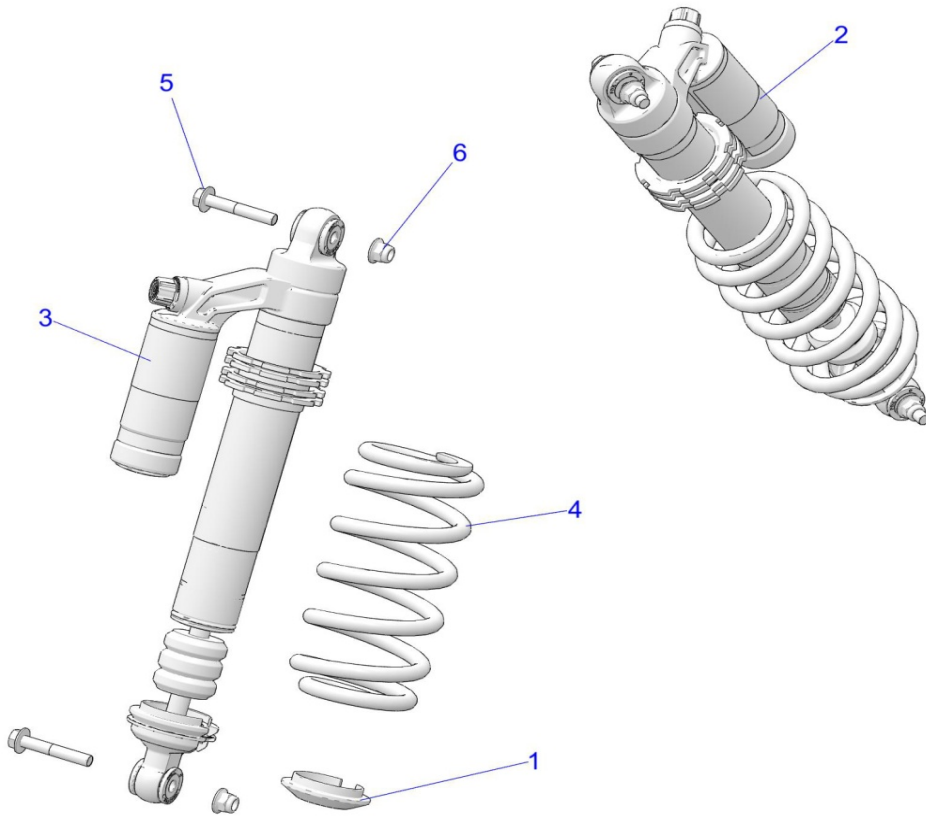
2022 RZR TRAIL S 1000 EPS EU/TRACTOR (R02) - Z22ASE99F4/F5/S99C4/C5



POS	SAP	Part Name	Qty
1	<a href="#">1001516</a>	WELD-CTRL ARM,LWR,FRT,LH,60,BL	1
2	<a href="#">1001517</a>	WELD-CTRL ARM,LWR,FRT,RH,60,BL	1
3	<a href="#">1001548</a>	WELD-CTRL ARM,UPR,FRT,LH,60,BK	1
4	<a href="#">1001549</a>	WELD-CTRL ARM,UPR,FRT,RH,60,BK	1
5	<a href="#">1003526</a>	ASM-PIVOT CAP, SEALED, M10	12
5	<a href="#">1003526</a>	ASM-PIVOT CAP, SEALED, M10	12
5	<a href="#">1003526</a>	ASM-PIVOT CAP, SEALED, M10	12
5	<a href="#">1003526</a>	ASM-PIVOT CAP, SEALED, M10	12
5	<a href="#">1003526</a>	ASM-PIVOT CAP, SEALED, M10	12
6	<a href="#">1011216</a>	SHAFT-PIVOT,SHORT,M10	6
6	<a href="#">1011216</a>	SHAFT-PIVOT,SHORT,M10	6
6	<a href="#">1011216</a>	SHAFT-PIVOT,SHORT,M10	6
7	<a href="#">1011925</a>	BUSHING-STANDARD, SUSP, M10	14
7	<a href="#">1011925</a>	BUSHING-STANDARD, SUSP, M10	14
7	<a href="#">1011925</a>	BUSHING-STANDARD, SUSP, M10	14
7	<a href="#">1011925</a>	BUSHING-STANDARD, SUSP, M10	14
7	<a href="#">1011925</a>	BUSHING-STANDARD, SUSP, M10	14
8	<a href="#">1014442</a>	SCR-HXFL-M10X1.25X95 10.9 ZOD	6
8	<a href="#">1014442</a>	SCR-HXFL-M10X1.25X95 10.9 ZOD	6
9	<a href="#">1014500</a>	NUT-M10X1.25, FLG, NYLOC-OLIVE D	12
9	<a href="#">1014500</a>	NUT-M10X1.25, FLG, NYLOC-OLIVE D	12
9	<a href="#">1014500</a>	NUT-M10X1.25, FLG, NYLOC-OLIVE D	12
9	<a href="#">1014500</a>	NUT-M10X1.25, FLG, NYLOC-OLIVE D	12
10	<a href="#">1014520</a>	WASHER-3/8 FW SAE STL THRU-HRD	8
10	<a href="#">1014520</a>	WASHER-3/8 FW SAE STL THRU-HRD	8
10	<a href="#">1014520</a>	WASHER-3/8 FW SAE STL THRU-HRD	8
10	<a href="#">1014520</a>	WASHER-3/8 FW SAE STL THRU-HRD	8
11	<a href="#">1003528</a>	ASM-PIVOT CAP,SEALED,SLIM,M10	4
12	<a href="#">1014453</a>	SCR-HXFL-M10X1.25X55 10.9 ZOD	2
13	<a href="#">1014628</a>	28MM SPIRAL RING,STEEL	2

## SUSPENSION, FRONT SHOCK MOUNTING

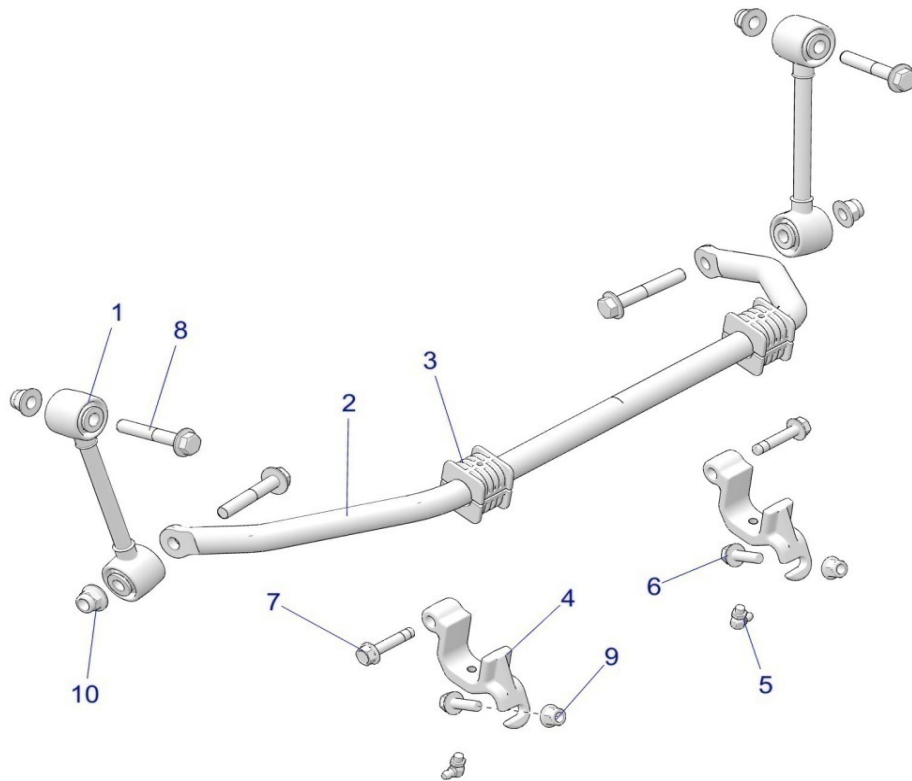
2022 RZR TRAIL S 1000 EPS EU/TRACTOR (R02) - Z22ASE99F4/F5/S99C4/C5



POS	SAP	Part Name	Qty
1	<a href="#">1040524</a>	Retainer, Spring Supplied by Polaris	2
2	<a href="#">1045752</a>	SHOCK-FRONT,2 RESVR,PIGGYBK,LH	1
3	<a href="#">1045753</a>	SHOCK-FRONT,2 RESVR,PIGGYBK,RH	1
4	<a href="#">1045754</a>	SPR-140#,12FL,2.3-2.3ID,I.RED	2
5	<a href="#">1014454</a>	SCR-HXFL-M10X1.25X60 10.9 ZOD	4
6	<a href="#">1014500</a>	NUT-M10X1.25, FLG, NYLOC-OLIVE D	4

## SUSPENSION, FRONT, STABILIZER BAR

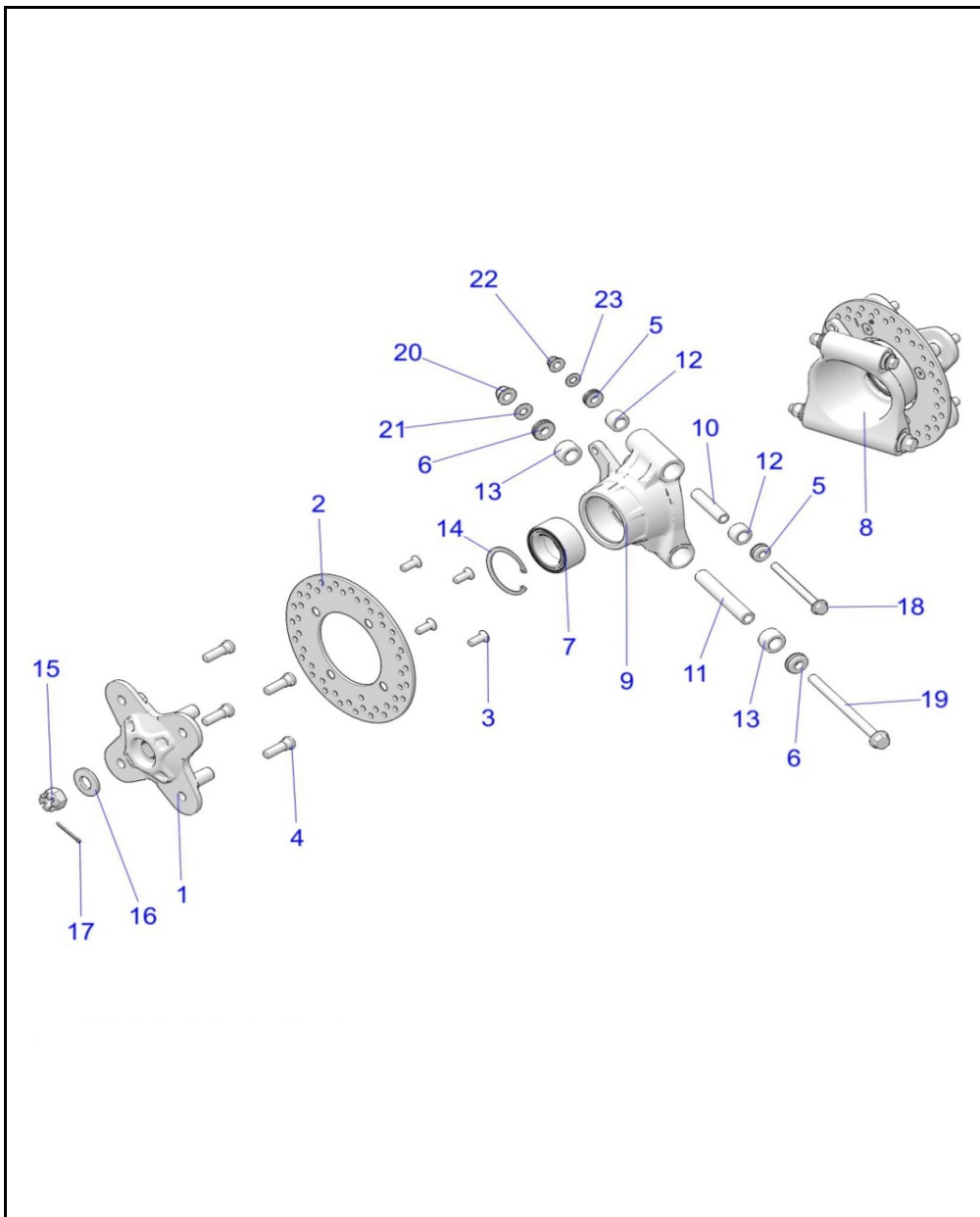
2022 RZR TRAIL S 1000 EPS EU/TRACTOR (R02) - Z22ASE99F4/F5/S99C4/C5



POS	SAP	Part Name	Qty
1	<a href="#">1003532</a>	ASM-LINK STABILIZER BAR,157MM	2
2	<a href="#">1011689</a>	BAR, STABILIZER	1
3	<a href="#">1011927</a>	BUSHING, SWAY BAR	4
4	<a href="#">1045350</a>	BRACKET, CAST, SWAY BAR	2
5	<a href="#">1039616</a>	FITTING-ZERK.25 S/TAP90D-3054B	2
6	<a href="#">1040479</a>	SCR-HXFL-M8X1.25X25 8.8 ZODP30	2
7	<a href="#">1040480</a>	SCR-HXFL-M8X1.25X40 8.8 ZODP30	2
8	<a href="#">1014454</a>	SCR-HXFL-M10X1.25X60 10.9 ZOD	4
9	<a href="#">1014499</a>	NUT- M8X1.25, FLG, NYLOC-OLIVE D	2
10	<a href="#">1014500</a>	NUT-M10X1.25, FLG, NYLOC-OLIVE D	4

## SUSPENSION, REAR CARRIER

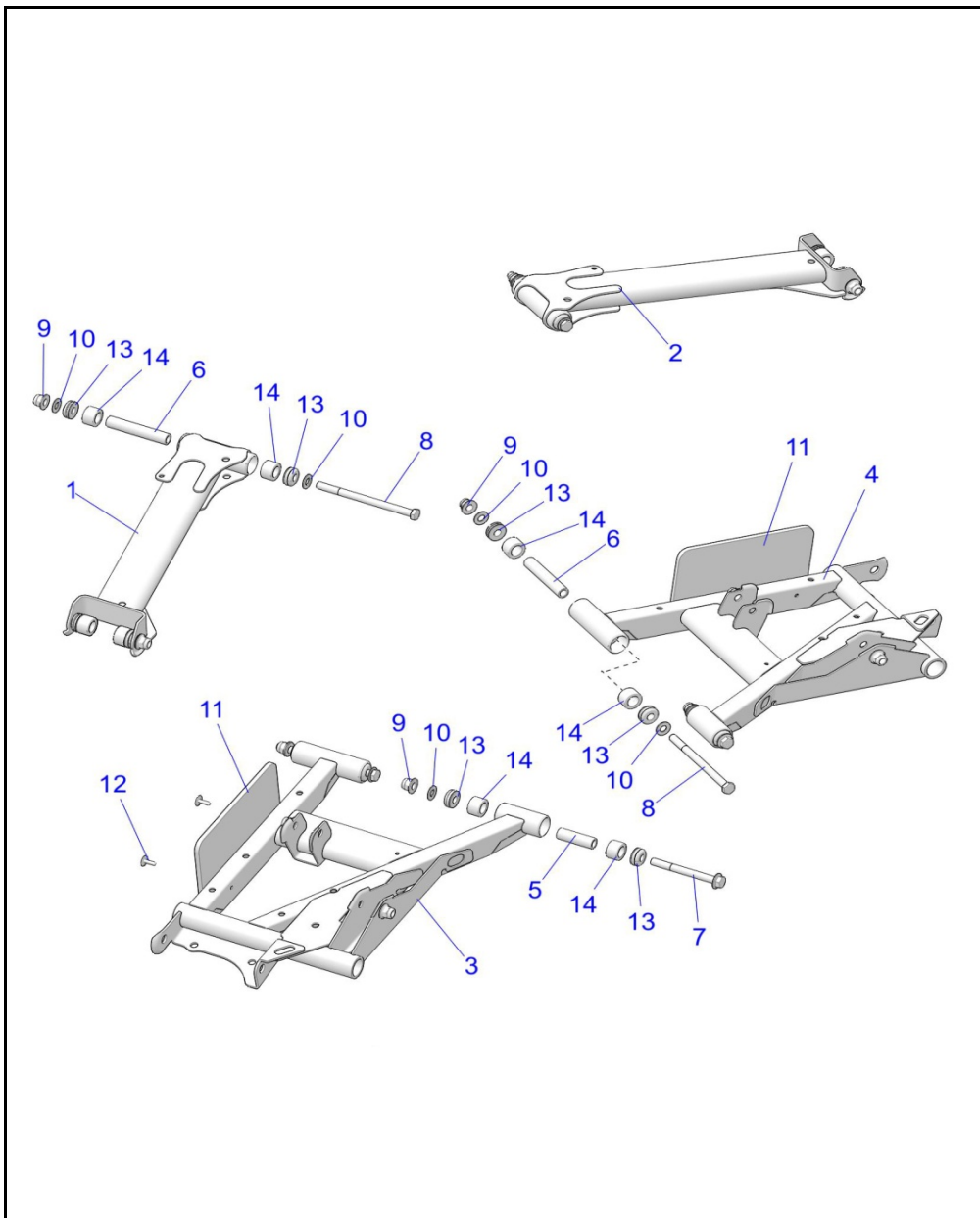
2022 RZR TRAIL S 1000 EPS EU/TRACTOR (R02) - Z22ASE99F4/F5/S99C4/C5



POS	SAP	Part Name	Qty
1	<a href="#">1045749</a>	HUB-WHEEL,MACH,BLK	2
2	<a href="#">1011519</a>	DISC-BRAKE, FRONT	2
3	<a href="#">1014439</a>	SCR-M10X1.5X20 8.8 TXCS FL ZOD	8
4	<a href="#">1014462</a>	STUD-WHEEL,M12-1.5	8
5	<a href="#">1003526</a>	ASM-PIVOT CAP, SEALED, M10	4
5	<a href="#">1003526</a>	ASM-PIVOT CAP, SEALED, M10	4
6	<a href="#">1003527</a>	ASM-PIVOT CAP, SEALED, M12	4
6	<a href="#">1003527</a>	ASM-PIVOT CAP, SEALED, M12	4
7	<a href="#">1008460</a>	BEARING-BALL,SEALED,44X72X33.1 (HEAVY DUTY)	2
8	<a href="#">1040483</a>	CARRIER, BEARING, WHEEL, LH	1
9	<a href="#">1040484</a>	CARRIER, BEARING, WHEEL, RH	1
10	<a href="#">1011218</a>	SHAFT-PIVOT, SHORT, M10	2
11	<a href="#">1011219</a>	SHAFT-PIVOT, LONG, M12	2
12	<a href="#">1011925</a>	BUSHING-STANDARD, SUSP, M10	4
12	<a href="#">1011925</a>	BUSHING-STANDARD, SUSP, M10	4
13	<a href="#">1011926</a>	BUSHING-STANDARD, SUSP, M12	4
13	<a href="#">1011926</a>	BUSHING-STANDARD, SUSP, M12	4
14	<a href="#">1014620</a>	RING-RETAINING,2.875,INTERNAL	2
15	<a href="#">1014502</a>	NUT-M18X1.5,CASTLE,ZINC/YELLOW	2
16	<a href="#">1045351</a>	WSHR-BLVL,19X42X4.5-5.08	2
17	<a href="#">1014587</a>	PIN-COTTER 1/8X1 1/2-Y	2
18	<a href="#">1014458</a>	SCR-HXFL-M10X1.25X115 10.9 ZOD	2
19	<a href="#">1014485</a>	SCR-HXFL-M12X1.5X170 10.9 ZOD	2
20	<a href="#">1014501</a>	NUT-M12X1.5, FLG, NYLOC-OLIVE D	2
21	<a href="#">1014521</a>	WASHER-7/16 SAE,STF,THRU-HRD-Y	2
22	<a href="#">1014500</a>	NUT-M10X1.25, FLG, NYLOC-OLIVE D	2
23	<a href="#">1014520</a>	WASHER-3/8 FW SAE STL THRU-HRD	2

# SUSPENSION, REAR CONTROL ARMS

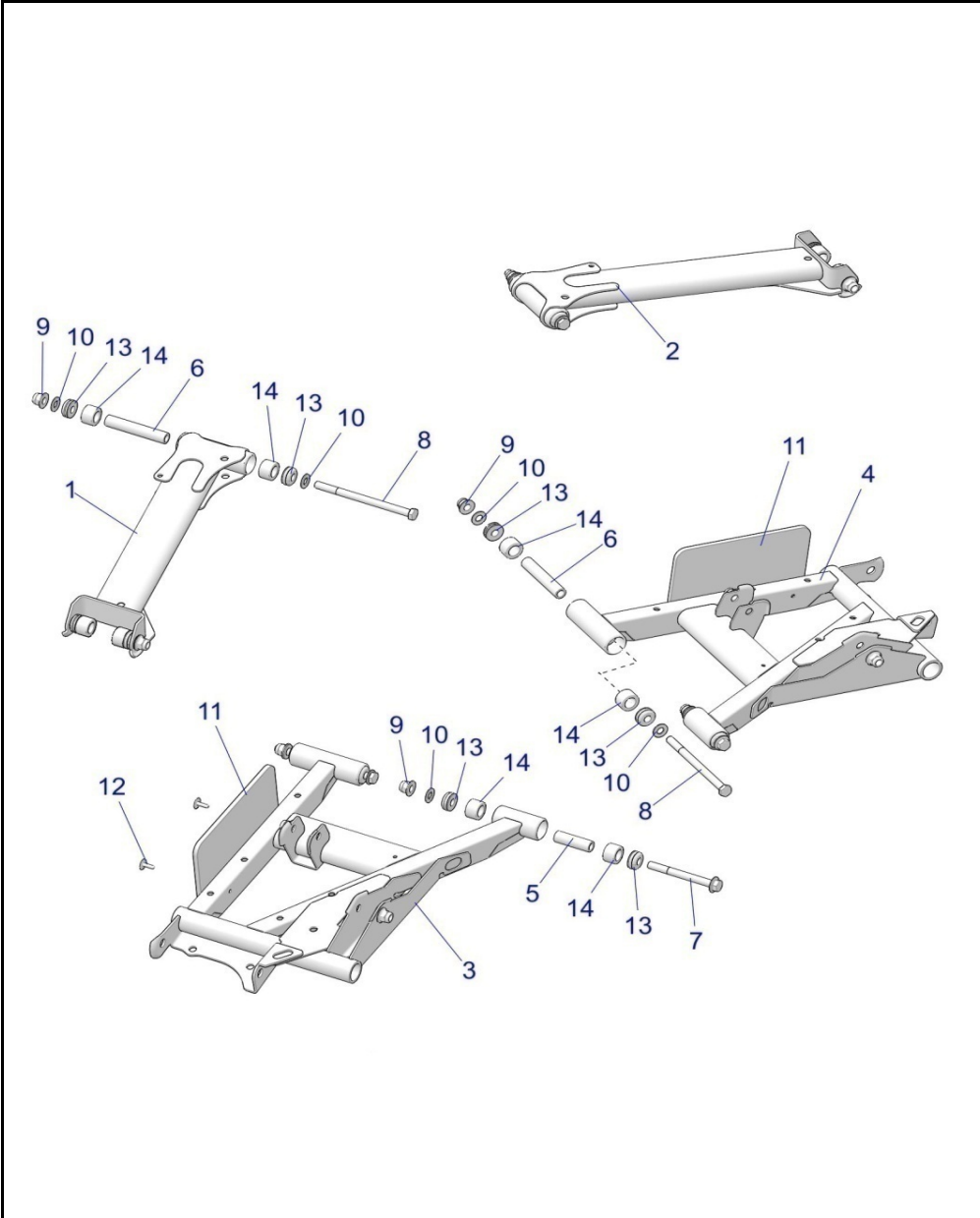
2022 RZR TRAIL S 1000 EPS EU/TRACTOR (R02) - Z22ASE99F4/F5/S99C4/C5



POS	SAP	Part Name	Qty
1	<a href="#">1001512</a>	WELD-A-ARM,REAR,UPR,LH,60,BLK	1
2	<a href="#">1001513</a>	WELD-A-ARM,REAR,UPR,RH,60,BLK	1
3	<a href="#">1001514</a>	WELD-A-ARM,REAR,LWR,LH,60,BLK	1
4	<a href="#">1001515</a>	WELD-A-ARM,REAR,LWR,RH,60,BLK	1
5	<a href="#">1011216</a>	SHAFT-PIVOT,SHORT,M10	2
6	<a href="#">1011217</a>	SHAFT-PIVOT,LONG,M10	4
6	<a href="#">1011217</a>	SHAFT-PIVOT,LONG,M10	4
7	<a href="#">1014442</a>	SCR-HXFL-M10X1.25X95 10.9 ZOD	2
8	<a href="#">1040485</a>	SCR-HH-M10X1.25X140,10.9 ZOD	4
8	<a href="#">1040485</a>	SCR-HH-M10X1.25X140,10.9 ZOD	4
9	<a href="#">1014500</a>	NUT-M10X1.25, FLG, NYLOC-OLIVE D	6
9	<a href="#">1014500</a>	NUT-M10X1.25, FLG, NYLOC-OLIVE D	6
9	<a href="#">1014500</a>	NUT-M10X1.25, FLG, NYLOC-OLIVE D	6
10	<a href="#">1014520</a>	WASHER-3/8 FW SAE STL THRU-HRD	10
10	<a href="#">1014520</a>	WASHER-3/8 FW SAE STL THRU-HRD	10
10	<a href="#">1014520</a>	WASHER-3/8 FW SAE STL THRU-HRD	10
10	<a href="#">1014520</a>	WASHER-3/8 FW SAE STL THRU-HRD	10
10	<a href="#">1014520</a>	WASHER-3/8 FW SAE STL THRU-HRD	10
10	<a href="#">1014520</a>	WASHER-3/8 FW SAE STL THRU-HRD	10
11	<a href="#">1011913</a>	SHIELD, CV, REAR, BLACK	2
11	<a href="#">1011913</a>	SHIELD, CV, REAR, BLACK	2
12	<a href="#">1014565</a>	RVT-3/16(.251-.375)ST-ST-LF-B	4
13	<a href="#">1003526</a>	ASM-PIVOT CAP, SEALED, M10	12
13	<a href="#">1003526</a>	ASM-PIVOT CAP, SEALED, M10	12
13	<a href="#">1003526</a>	ASM-PIVOT CAP, SEALED, M10	12
13	<a href="#">1003526</a>	ASM-PIVOT CAP, SEALED, M10	12
13	<a href="#">1003526</a>	ASM-PIVOT CAP, SEALED, M10	12
13	<a href="#">1003526</a>	ASM-PIVOT CAP, SEALED, M10	12
14	<a href="#">1011925</a>	BUSHING-STANDARD, SUSP, M10	12
14	<a href="#">1011925</a>	BUSHING-STANDARD, SUSP, M10	12
14	<a href="#">1011925</a>	BUSHING-STANDARD, SUSP, M10	12

# SUSPENSION, REAR CONTROL ARMS

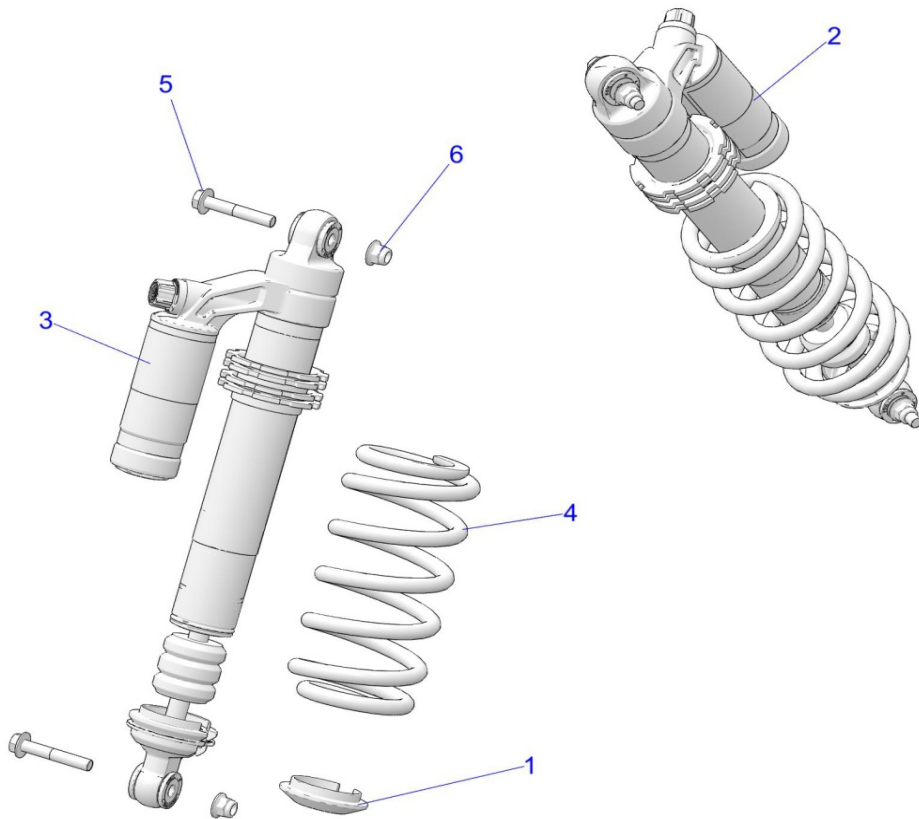
2022 RZR TRAIL S 1000 EPS EU/TRACTOR (R02) - Z22ASE99F4/F5/S99C4/C5



POS	SAP	Part Name	Qty
14	<a href="#">1011925</a>	BUSHING-STANDARD, SUSP, M10	12
14	<a href="#">1011925</a>	BUSHING-STANDARD, SUSP, M10	12
14	<a href="#">1011925</a>	BUSHING-STANDARD, SUSP, M10	12

## SUSPENSION, REAR SHOCK MOUNTING

2022 RZR TRAIL S 1000 EPS EU/TRACTOR (R02) - Z22ASE99F4/F5/S99C4/C5

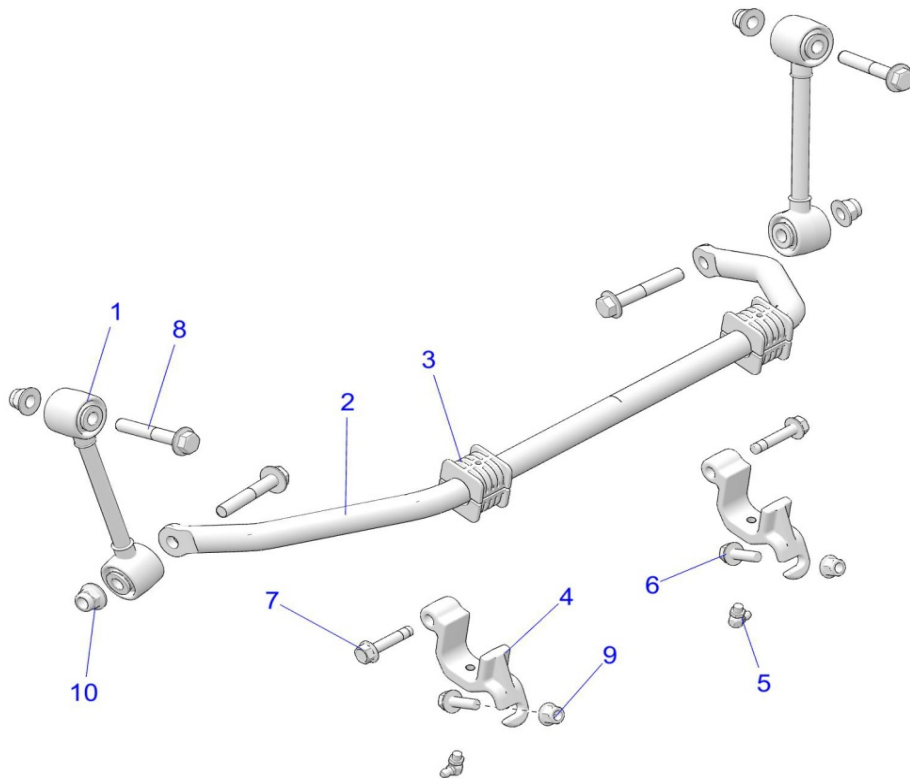


POS	SAP	Part Name	Qty
1	<a href="#">1040524</a>	Retainer, Spring Supplied by Polaris [TO 7/18/2022]	2
1	<a href="#">1045756</a>	RETAINER, SPRING [FROM 7/18/2022]	2
2	<a href="#">1045757</a>	SHOCK-REAR,2,RESVR,PIGGYBK,LH	1
3	<a href="#">1045758</a>	SHOCK-REAR,2,RESVR,PIGGYBK,RH	1
4	<a href="#">1045759</a>	S-200-250#,14.25FL,2.30ID,IRED	2
5	<a href="#">1014454</a>	SCR-HXFL-M10X1.25X60 10.9 ZOD	4
6	<a href="#">1014500</a>	NUT-M10X1.25, FLG, NYLOC-OLIVE D	4



## SUSPENSION, REAR, STABILIZER BAR

2022 RZR TRAIL S 1000 EPS EU/TRACTOR (R02) - Z22ASE99F4/F5/S99C4/C5

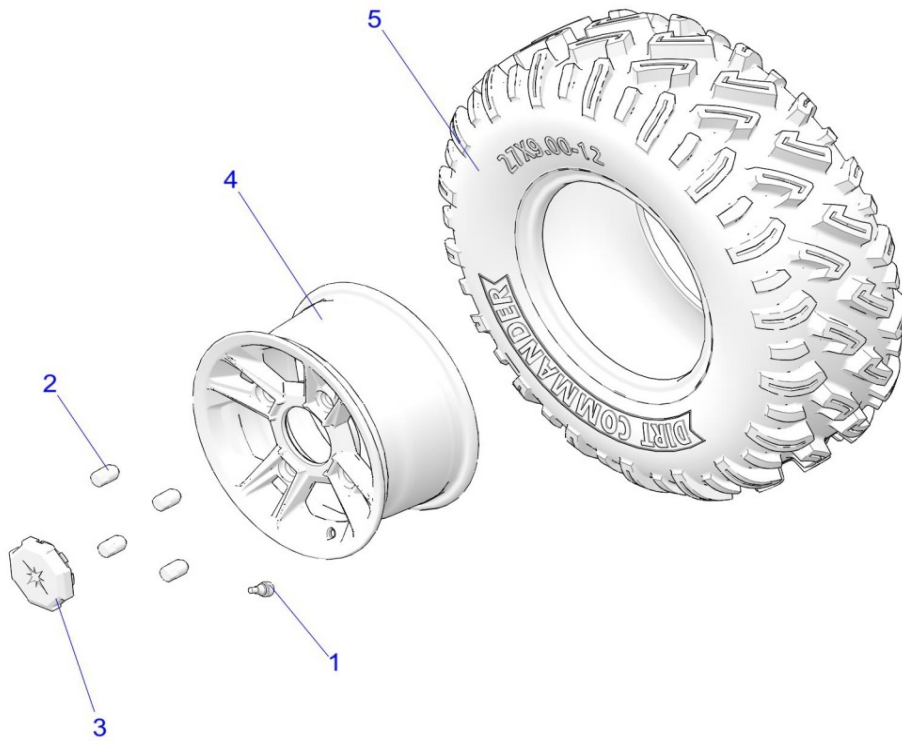


POS	SAP	Part Name	Qty
1	<a href="#">1045760</a>	ASM-LINK STABILIZER BAR,61MM	2
2	<a href="#">1040163</a>	BAR, STABILIZER	1
3	<a href="#">1011919</a>	BUSHING, REAR BAR, 27MM	4
4	<a href="#">1012203</a>	BRKT-CAP,SWAY BAR,1.25"	2
5	<a href="#">1014057</a>	Fitting, Lubricating, 45 Degree	2
6	<a href="#">1014445</a>	SCR-RHCAR-M10X1.25X50 8.8 ZOD	4
7	<a href="#">1014454</a>	SCR-HXFL-M10X1.25X60 10.9 ZOD	4
8	<a href="#">1014504</a>	NUT-M10X1.5 HFN NYLOC ZOD	4
9	<a href="#">1014500</a>	NUT-M10X1.25, FLG, NYLOC-OLIVE D	4
10	<a href="#">1014520</a>	WASHER-3/8 FW SAE STL THRU-HRD	2

## WHEELS, FRONT

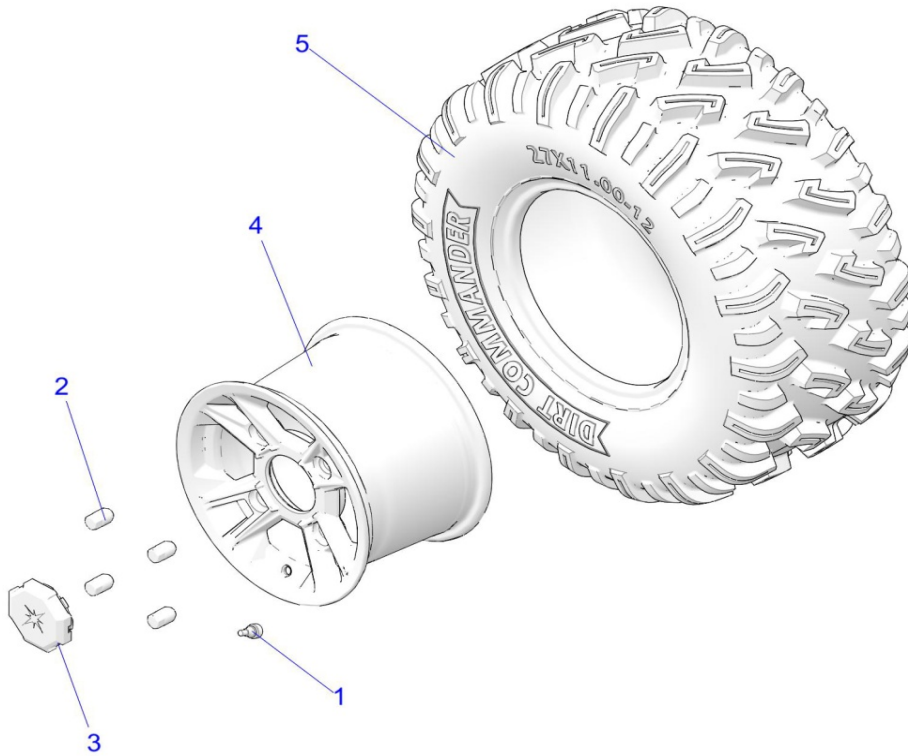
2022 RZR TRAIL S 1000 EPS EU/TRACTOR (R02) - Z22ASE99F4/F5/S99C4/C5

POS	SAP	Part Name	Qty
1	<a href="#">1003489</a>	VALVE, RIM	2
2	<a href="#">1014505</a>	NUT-WHEEL,M12X1.5,TAPERED	4
3	<a href="#">1045763</a>	CAP-RIM,BLK	2
4	<a href="#">1045762</a>	RIM-FRT,12X6,CAST,26.2 OFST,FB	2
5	<a href="#">1040525</a>	TIRE-FRONT,27X9-12,EMARK	2



## WHEELS, REAR

2022 RZR TRAIL S 1000 EPS EU/TRACTOR (R02) - Z22ASE99F4/F5/S99C4/C5



POS	SAP	Part Name	Qty
1	<a href="#">1003489</a>	VALVE, RIM	2
2	<a href="#">1014505</a>	NUT-WHEEL, M12X1.5, TAPERED	8
3	<a href="#">1045763</a>	CAP-RIM, BLK	2
4	<a href="#">1045764</a>	RIM-RR, 12X8, CAST, 50.1 OFST, FLBK	2
5	<a href="#">1040526</a>	TIRE-REAR, 27X11-12, EMARK	2

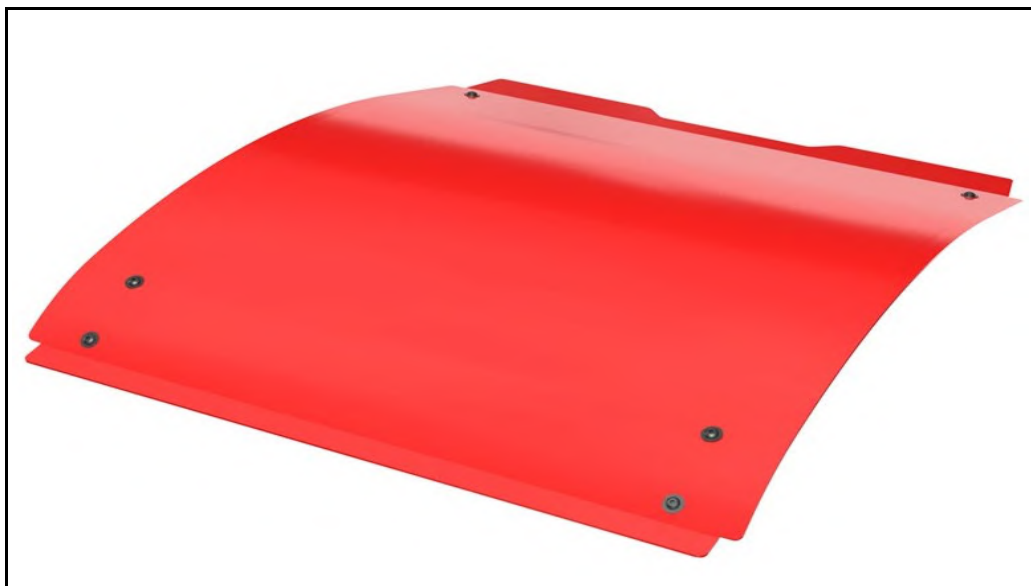
# Accessories



Front High Coverage Bumper Indy Red | Part # 2884732-293



Front High Coverage Bumper Matte Black | Part # 2884732-458



Aluminum Roof Indy Red | Part # 2884761-293



Aluminum Roof Matte Black | Part # 2884761-458

# Accessories



Extreme Kick-Out Rock Sliders Indy Red | Part # 2881586-293



Extreme Kick-Out Rock Sliders Matte Black | Part # 2881586-458

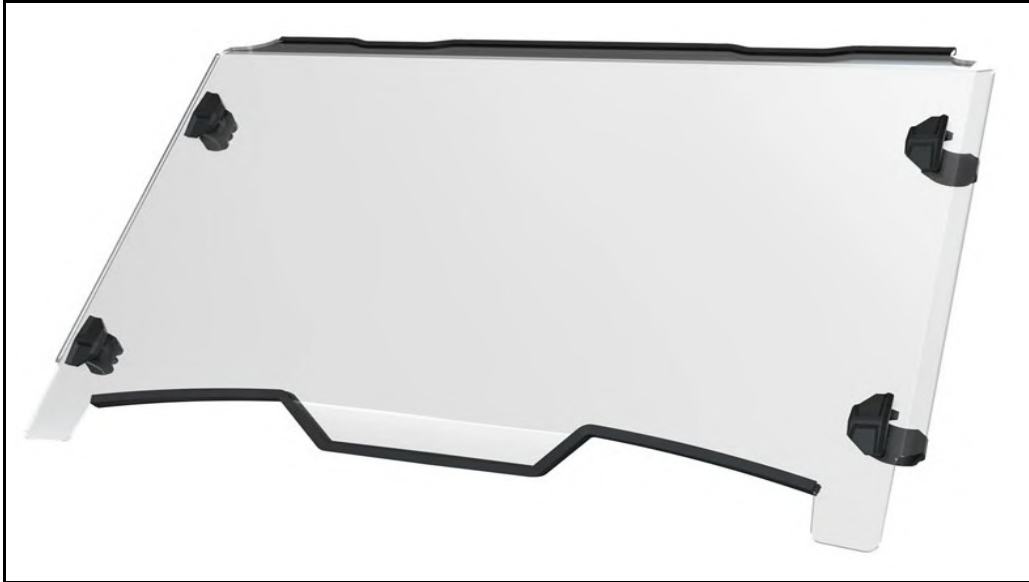


Premium Convex Rearview Mirror | Part # 2881586-458



Lock & Ride 69 QT Cargo Box | Part # 2881193

# Accessories



Lock & Ride Full Windshield - Hard Coat Poly | Part # 2884757



Lock & Ride Poly Sport Roof | Part # 2884729



Polaris HD 3,500 LB Winch | Part # 2885127