

# POLARIS

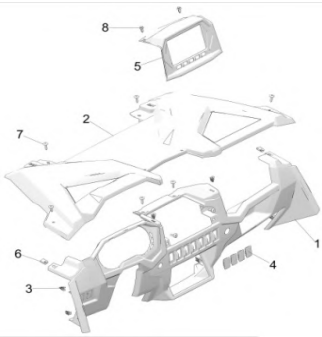
## RZR

### Parts Catalogue

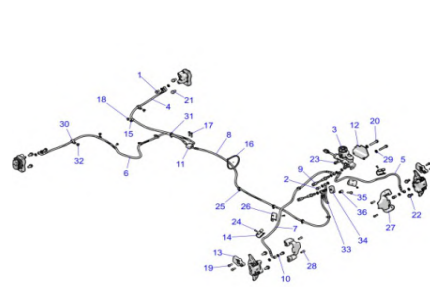


RZR XP 1000 PREMIUM (R02) - Z22NAK99AK/AR/BK/BR/NAV99AK/AR/BK/BR

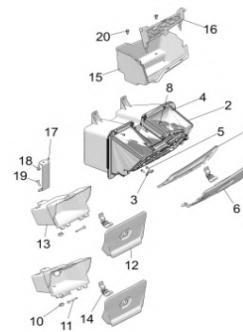
### 1 - BODY



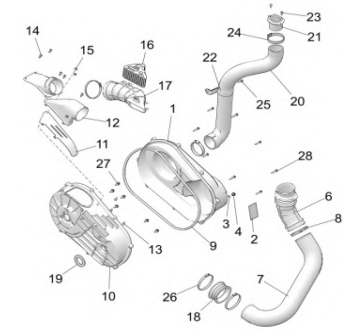
### 2 - BRAKES



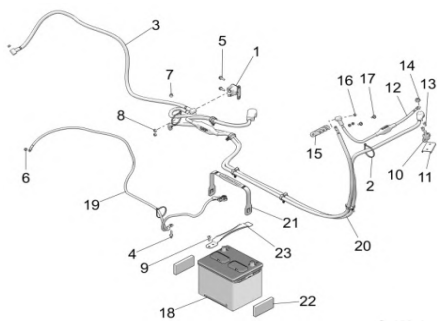
### 3 - CHASSIS



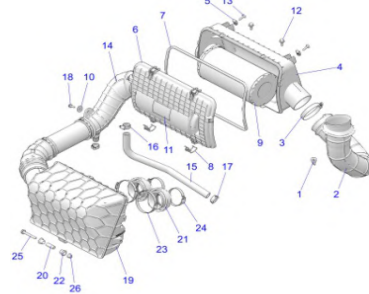
### 4 - DRIVE TRAIN



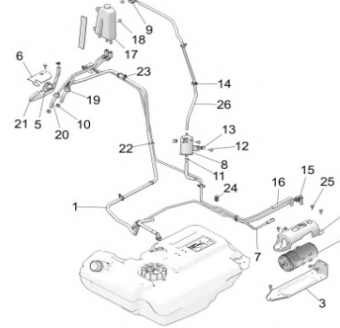
### 5 - ELECTRICAL



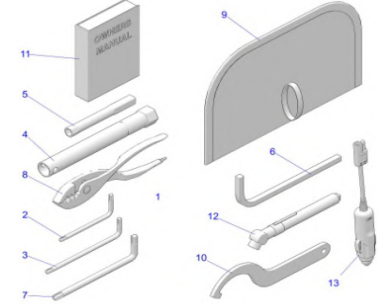
### 6 - ENGINE



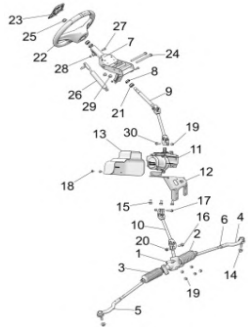
### 7 - FUEL SYSTEM



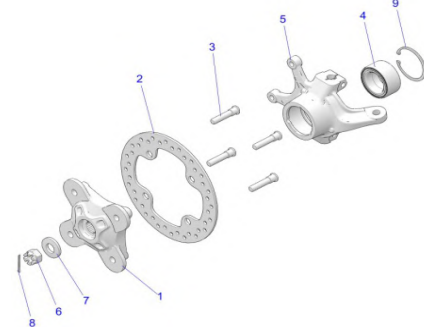
### 8 - OWNERS MANUAL



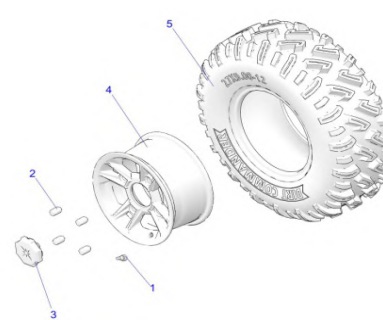
### 9 - STEERING



### 10 - SUSPENSION



### 11 - WHEELS

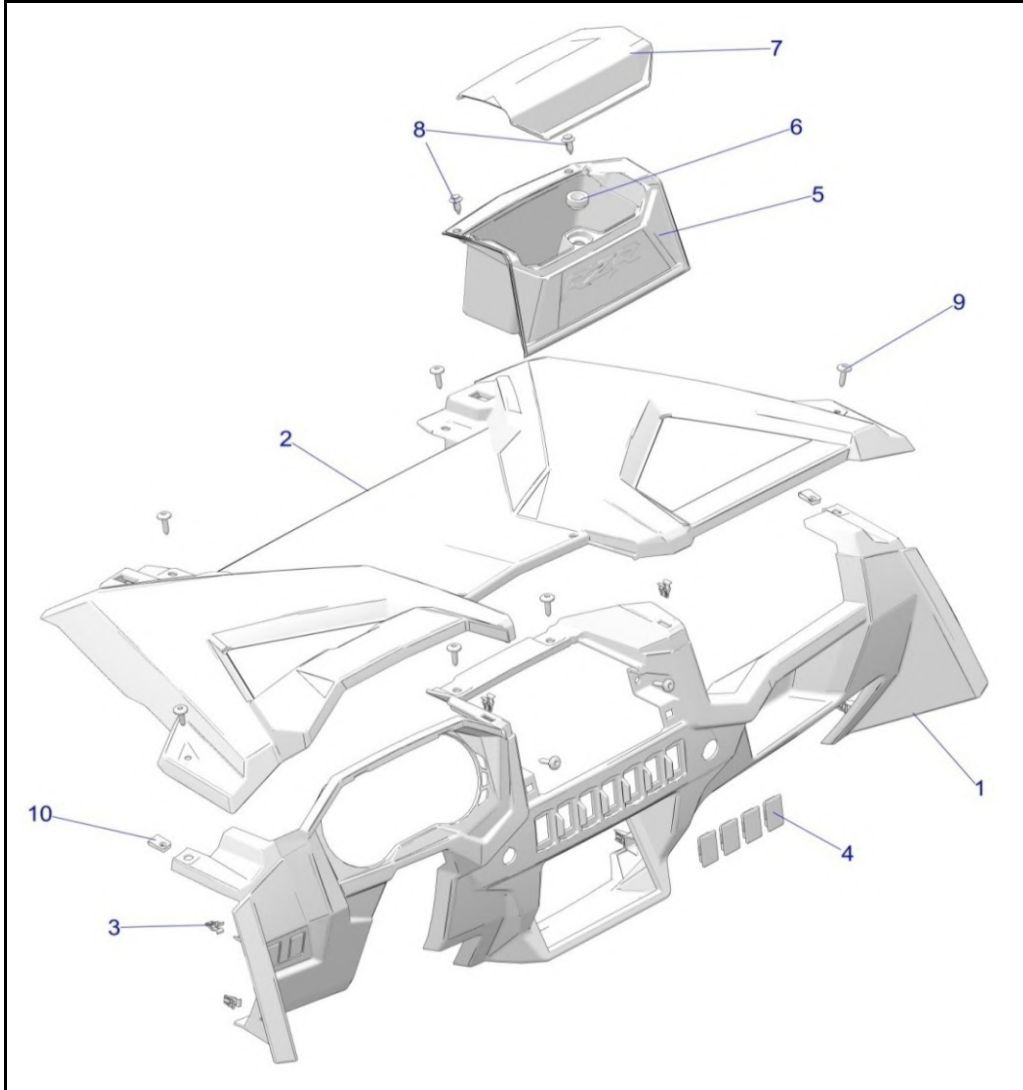


### 12 - ACCESSORIES



## BODY, DASH

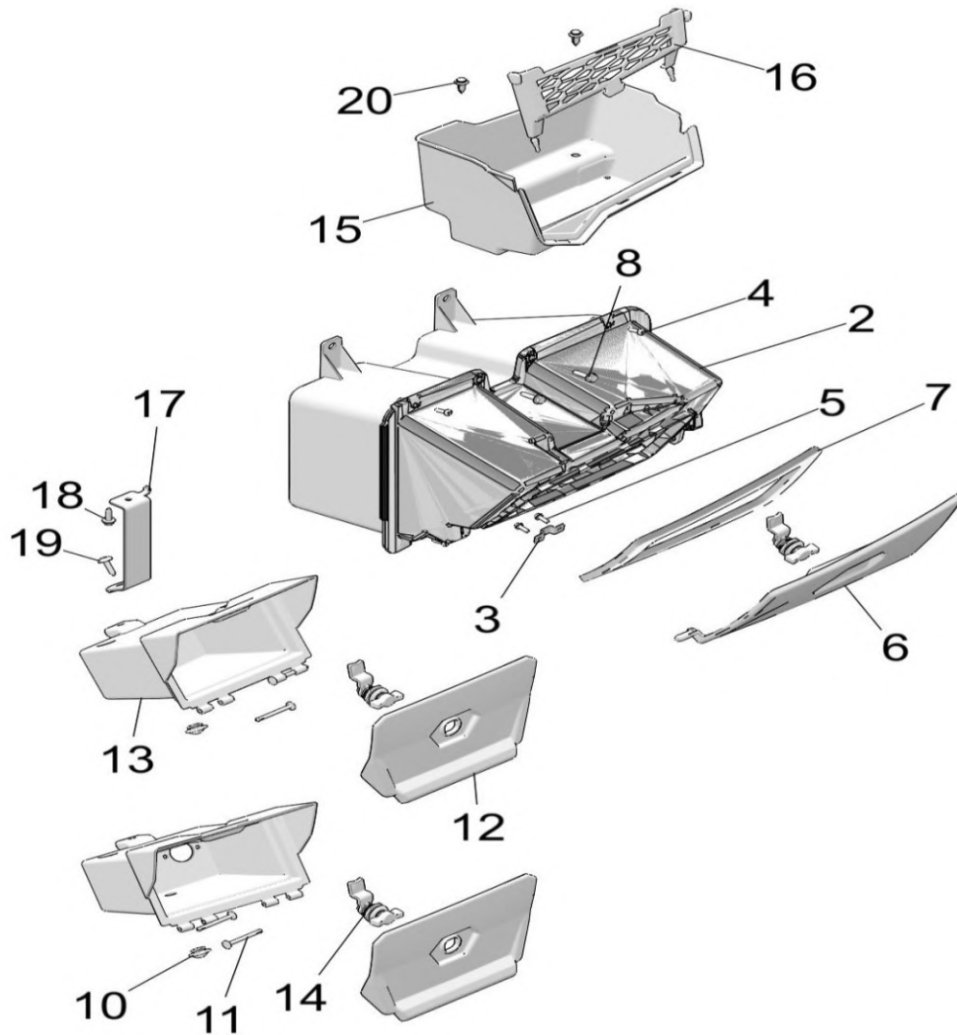
2022 RZR RZR XP 1000 PREMIUM (R02) - Z22NAK99AK/AR/BK/BR/NAV99AK/AR/BK/BR



POS	SAP	Part Name	Qty
1	<a href="#">1044996</a>	ASM-UPPER,IP,BLK [INCL. QTY 2 OF REF. 3]	1
2	<a href="#">1044997</a>	ASM-LOWER IP,CLIP,BLK [INCL. QTY 6 OF REF. 3]	1
3	<a href="#">1014466</a>	CLIP, DASH, TRIM, METAL	AR
4	<a href="#">1045197</a>	COVER-SWITCH,RZT	1
5	<a href="#">1044986</a>	BEZEL-STORAGE,BLK	1
6	<a href="#">1044987</a>	GROMMET-RUBBER,MOUNT,.25"	1
7	<a href="#">1044988</a>	BEZEL-STORAGE,LID,BLK	1
8	<a href="#">1014589</a>	RIVET-TUFLOK,.315-.325X.787	2
9	<a href="#">1014459</a>	SCR-TXTH-M6X1.0X25 ZFB	AR
10	<a href="#">1014509</a>	NUT-M6-1.0, U-TYPE (2.5-3.8)	2

## BODY, DASH STORAGE

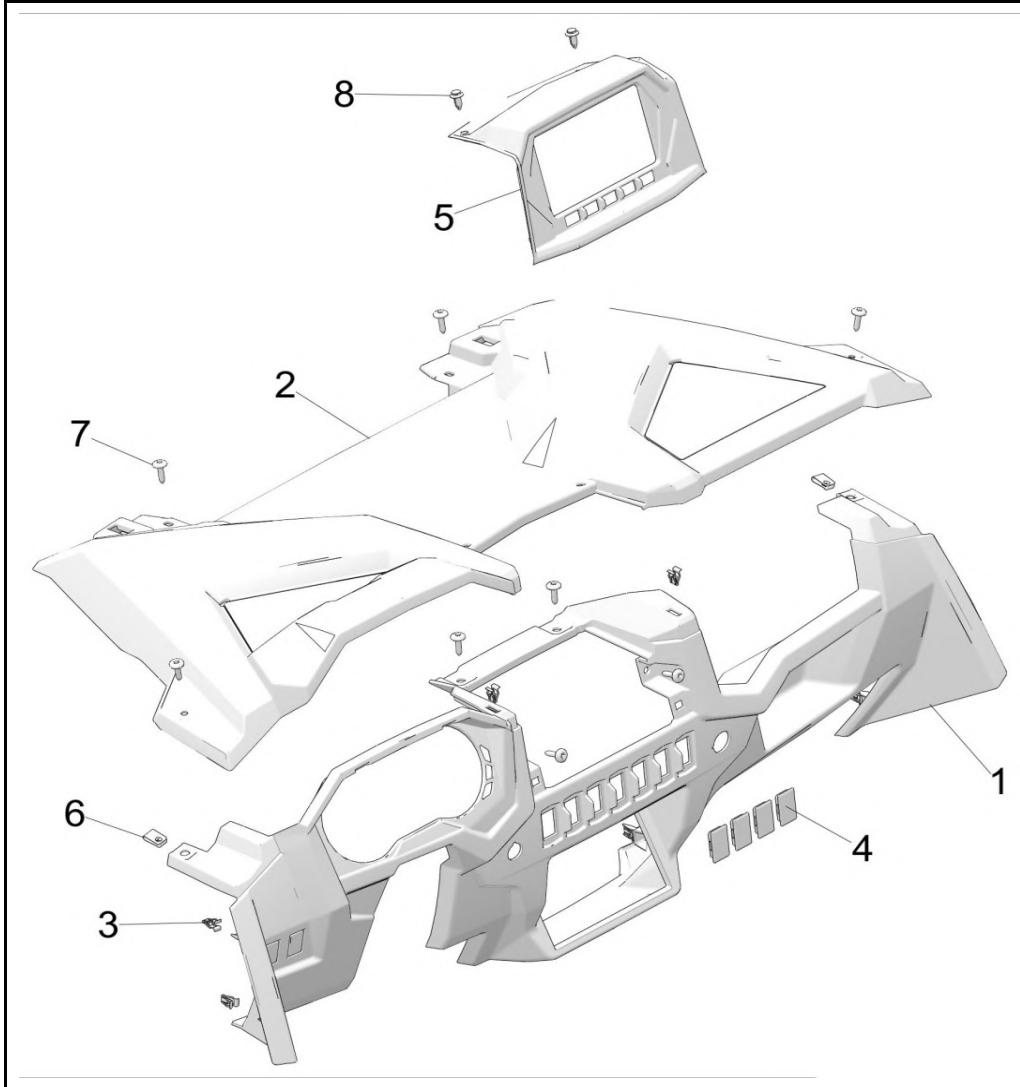
2022 RZR RZR XP 1000 PREMIUM (R02) - Z22NAK99AK/AR/BK/BR/NAV99AK/AR/BK/BR



POS	SAP	Part Name	Qty
1	<a href="#">1039391</a>	ASM., GLOVE BOX [INCL. 2-5]	1
2	<a href="#">1039901</a>	GLOVEBOX, BLACK	1
3	<a href="#">1039525</a>	BRACKET, GLOVEBOX, LATCH	1
4	<a href="#">1014423</a>	SCREW-#10X3/4-HI/LO-PN-T25,TRX-M	5
5	<a href="#">1039701</a>	SCREW-WSHRPNHD,10-16,HILO	2
6	<a href="#">1039909</a>	DOOR, GLOVEBOX, PNT, BLACK	1
7	<a href="#">1039556</a>	SEAL, GLOVEBOX	1
8	<a href="#">1044268</a>	SCR-TFHFL-M6X1.0X25,ZOD	2
9	<a href="#">1044989</a>	ASM-DOUBLE DIN [INCL. 10-13, QTY 1 OF 14]	1
10	<a href="#">1044990</a>	PLUG, COMPARTMENT	1
11	<a href="#">1039564</a>	PIN-HINGE,GLOVEBOX	2
12	<a href="#">1044991</a>	DOOR-DIN BOX,BLK	1
13	<a href="#">1044992</a>	PANEL-DOUBLE DIN,BLK [USED W/2636846]	1
14	<a href="#">1014063</a>	LATCH, 1/4 TURN, CAM	2
15	<a href="#">1044993</a>	BIN-UPPER IP,BLK	1
16	<a href="#">1044994</a>	NET,BIN-UPPER IP	1
17	<a href="#">1044995</a>	BRKT-DIN MNT,ECOAT	1
18	<a href="#">1039683</a>	SCR-M6X1.0X20, HXHD, FLG, TDFM, BK	1
19	<a href="#">1014459</a>	SCR-TXTH-M6X1.0X25 ZFB	1
20	<a href="#">1014589</a>	RIVET-TUFLOK,.315-.325X.787	2

## BODY, DASH, RIDE COMMAND

2022 RZR RZR XP 1000 PREMIUM (R02) - Z22NAK99AK/AR/BK/BR/NAV99AK/AR/BK/BR



POS	SAP	Part Name	Qty
1	<a href="#">1044996</a>	ASM-UPPER,IP,BLK [INCL. QTY 2 OF REF. 3]	1
2	<a href="#">1044997</a>	ASM-LOWER IP,CLIP,BLK [INCL. QTY 6 OF REF. 3]	1
3	<a href="#">1014466</a>	CLIP, DASH, TRIM, METAL	AR
4	<a href="#">1045197</a>	COVER-SWITCH,RZT	1
5	<a href="#">1044999</a>	BEZEL-7" DISPLAY,BLK	1
6	<a href="#">1014509</a>	NUT-M6-1.0, U-TYPE (2.5-3.8)	2
7	<a href="#">1014459</a>	SCR-TXTH-M6X1.0X25 ZFB	AR
8	<a href="#">1014589</a>	RIVET-TUFLOK,.315-.325X.787	2



## BODY, DECALS

2022 RZR RZR XP 1000 PREMIUM (R02) - Z22NAK99AK/AR/BK/BR/NAV99AK/AR/BK/BR

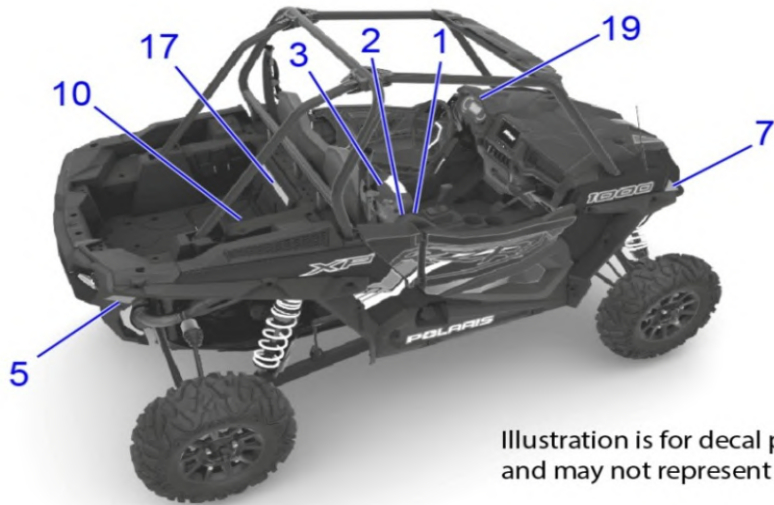
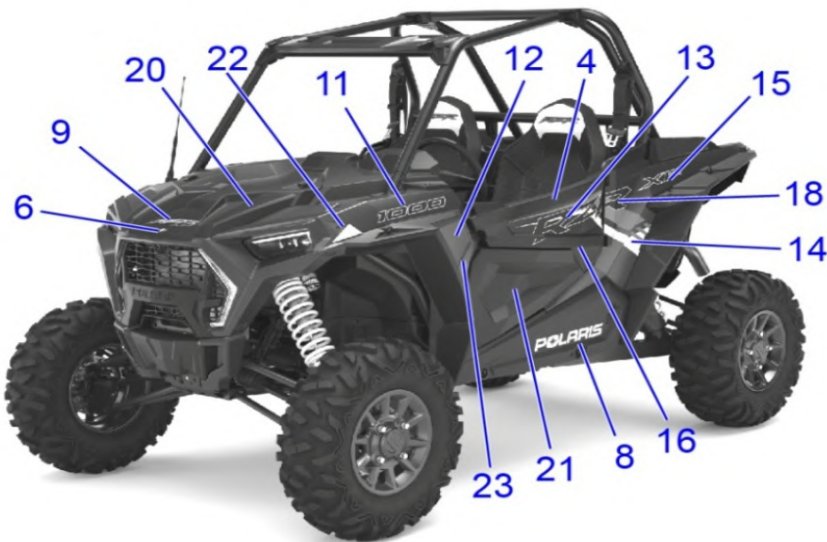


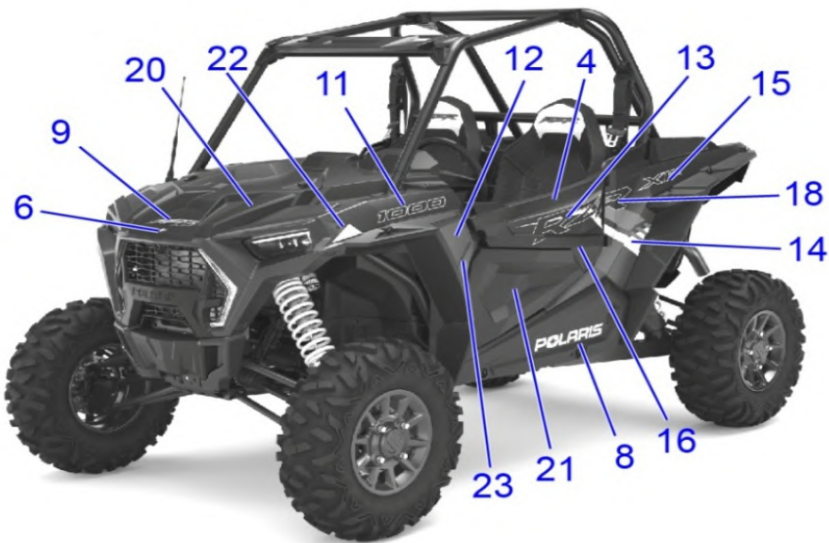
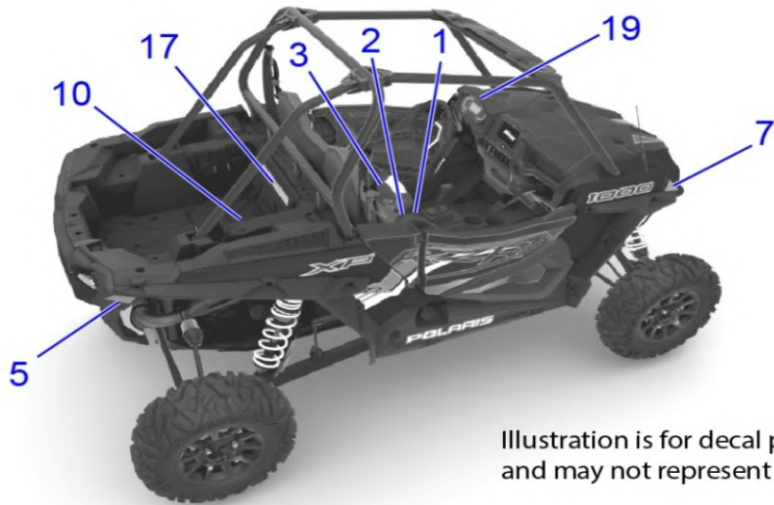
Illustration is for decal placement only and may not represent actual model.



POS	SAP	Part Name	Qty
1	1045000	DECAL-WARN,PROPER USE,2 OC	1
2	1045001	DECAL-WARN,SEATBELT/DRV/RIDERS	1
3	1045002	DECAL, BATTERY, POLARIS [ON BATTERY]	1
4	1045003	DECAL-DOOR,UPR,TOP,LH [AK][BK]	1
4	1045004	DECAL-DOOR,UPR,TOP,RH [AK][BK]	1
4	1045005	DECAL-DOOR,UPR,TOP,LH [AR][BR]	1
4	1045006	DECAL-DOOR,UPR,TOP,RH [AR][BR]	1
5	1045007	DECAL-REFLECTOR,RED	2
6	1014053	LOGO-POLARIS STAR	1
7	1045008	DECAL-REFLECTOR,AMBER,LH	1
7	1045009	DECAL-REFLECTOR,AMBER,RH	1
8	1045010	DECAL-POLARIS,WHITE	2
9	1045011	DECAL-HOOD CNTR [AK][BK]	1
9	1045012	DECAL-HOOD CNTR [AR][BR]	1
10	1045013	DECAL, WARN,NEVER CARRY FUEL	1
11	1045014	DECAL-FR.FNDR,SIDE,TOP,LH [AK][BK]	1
11	1045015	DECAL-FR.FNDR,SIDE,TOP,RH [AK][BK]	1
11	1045016	DECAL-FR.FNDR,SIDE,TOP,LH [AR][BR]	1
11	1045017	DECAL-FR.FNDR,SIDE,TOP,RH [AR][BR]	1
12	1045050	DECAL-FR.FNDR,SIDE,MID,LH [AK][BK]	1
12	1045051	DECAL-FR.FNDR,SIDE,MID,RH [AK][BK]	1
12	1045052	DECAL-FR.FNDR,SIDE,BTM,LH [AR][BR]	1
12	1045053	DECAL-FR.FNDR,SIDE,BTM,RH [AR][BR]	1
13	1045022	DECAL-DOOR,UPR,MID,LH [AK][BK]	1
13	1045023	DECAL-DOOR,UPR,MID,RH [AK][BK]	1
13	1045024	DECAL-DOOR,UPR,MID,LH [AR][BR]	1
13	1045025	DECAL-DOOR,UPR,MID,RH [AR][BR]	1
14	1045026	DECAL-RR.FNDR,SIDE,MID,LH [AK][BK]	1
14	1045027	DECAL-RR.FNDR,SIDE,MID,RH [AK][BK]	1

## BODY, DECALS

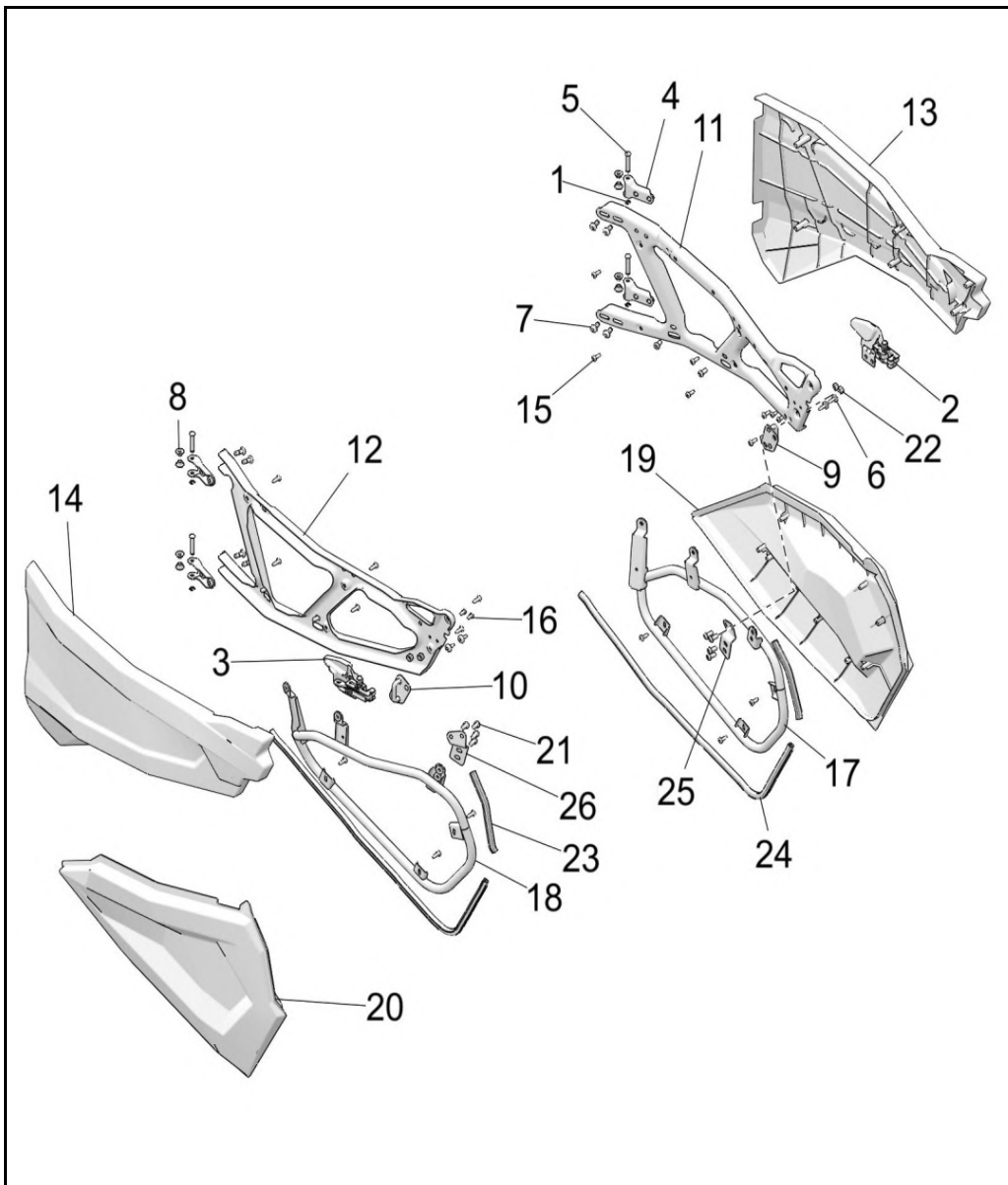
2022 RZR RZR XP 1000 PREMIUM (R02) - Z22NAK99AK/AR/BK/BR/NAV99AK/AR/BK/BR



POS	SAP	Part Name	Qty
14	1045028	DECAL-RR.FNDR,SIDE,MID,LH [AR][BR]	1
14	1045029	DECAL-RR.FNDR,SIDE,MID,RH [AR][BR]	1
15	1045030	DECAL-RR.FNDR,SIDE,BTM,LH [AK][BK]	1
15	1045031	DECAL-RR.FNDR,SIDE,BTM,RH [AK][BK]	1
15	1045032	DECAL-RR.FNDR,SIDE,BTM,LH [AR][BR]	1
15	1045033	DECAL-RR.FNDR,SIDE,BTM,RH [AR][BR]	1
16	1045034	DECAL-DOOR,UPR,BTM,LH [AK][BK]	1
16	1045035	DECAL-DOOR,UPR,BTM,RH [AK][BK]	1
16	1045036	DECAL-DOOR,UPR,BTM,LH [AR][BR]	1
16	1045037	DECAL-DOOR,UPR,BTM,RH [AR][BR]	1
17	1045038	DECAL-WARN,PASS/TIREPR/RZR XP	1
18	1045039	DECAL-COVER,BOLSTER,LH [AK][BK]	1
18	1045040	DECAL-COVER,BOLSTER,RH [AK][BK]	1
18	1045041	DECAL-COVER,BOLSTER,LH [AR][BR]	1
18	1045042	DECAL-COVER,BOLSTER,RH [AR][BR]	1
19	1045043	DECAL-WARN,MAX PAYLOAD,RZR,XP	1
20	1045044	DECAL-HOOD CNTR, LH [AK][BK]	1
20	1045045	DECAL-HOOD CNTR,RH [AK][BK]	1
20	1045046	DECAL-HOOD CNTR,LH [AR][BR]	1
20	1045047	DECAL-HOOD CNTR,RH [AR][BR]	1
21	1045048	DECAL-FR.DOOR,LWR,MID,LH [AR][BR]	1
21	1045049	DECAL-FR.DOOR,LWR,MID,RH [AR][BR]	1
22	1045050	DECAL-FR.FNDR,SIDE,MID,LH [AK][BK]	1
22	1045051	DECAL-FR.FNDR,SIDE,MID,RH [AK][BK]	1
23	1045052	DECAL-FR.FNDR,SIDE,BTM,LH [AK][BK]	1
23	1045053	DECAL-FR.FNDR,SIDE,BTM,RH [AK][BK]	1

# BODY, DOORS

2022 RZR RZR XP 1000 PREMIUM (R02) - Z22NAK99AK/AR/BK/BR/NAV99AK/AR/BK/BR

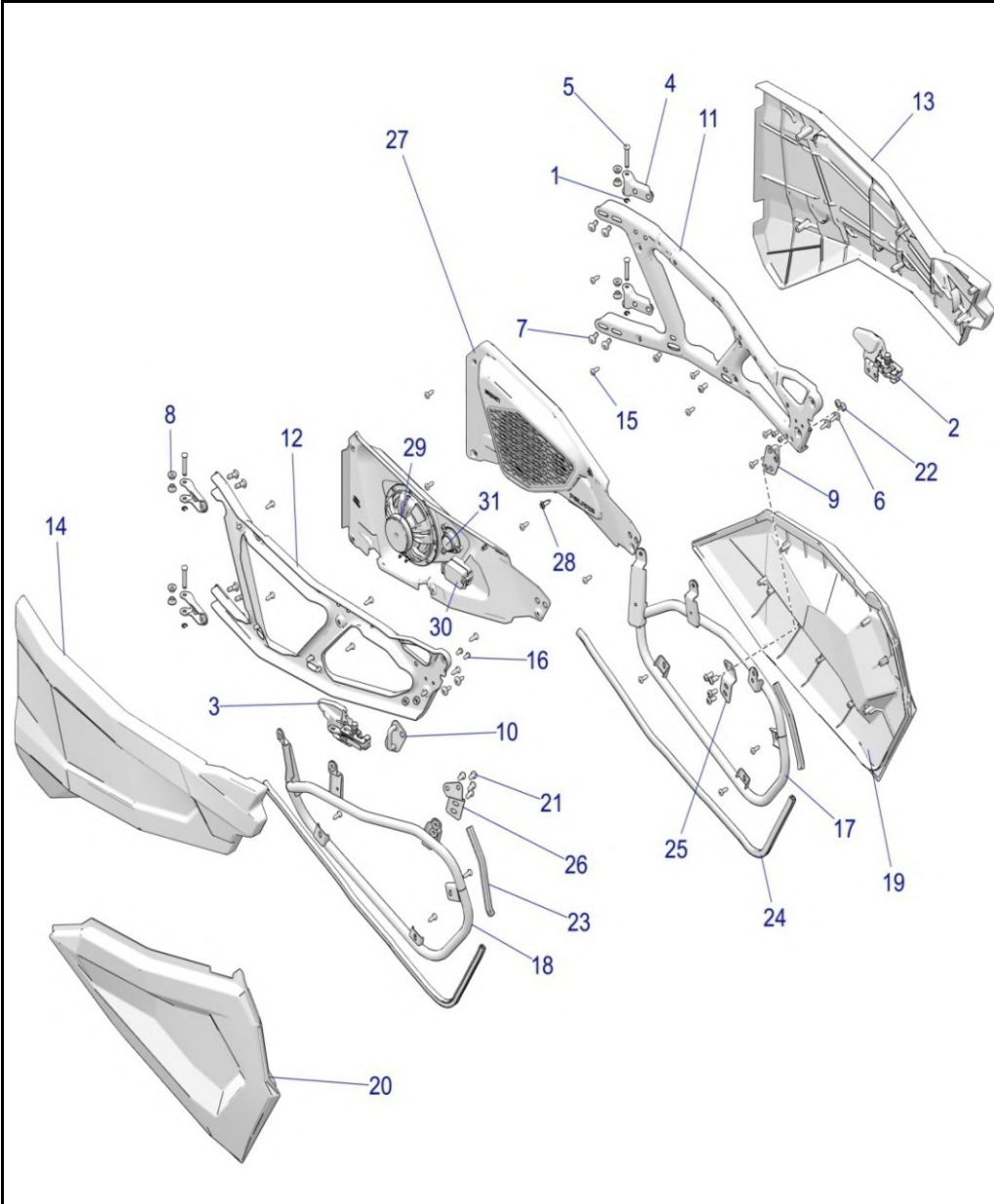


POS	SAP	Part Name	Qty
1	<a href="#">1045065</a>	SCREW-FLHD-M5X0.8X12 10.9 P&O	4
2	<a href="#">1030446</a>	ASM-LATCH,DOOR,LH	1
3	<a href="#">1033790</a>	ASM-LATCH,DOOR,RH	1
4	<a href="#">1011491</a>	BRACKET, DOOR, HINGE	4
5	<a href="#">1045066</a>	SCR-TXWH-M5X0.8X40 10.9 ZTB SP	4
6	<a href="#">1014447</a>	SCREW-TXTH-M6X1.0X20 T40 ZPB	4
7	<a href="#">1014473</a>	SCR-TXTH-M8X1.25X20 8.8 ZB3 P3	8
8	<a href="#">1011897</a>	BUSHING, DOOR, PIVOT	8
9	<a href="#">1001510</a>	ASM., STRIKER, LH	1
10	<a href="#">1001511</a>	ASM., STRIKER, RH	1
11	<a href="#">1011489</a>	STAMPING, DOOR FRAME, LH, MATTE BLACK	1
12	<a href="#">1011490</a>	STAMPING, DOOR FRAME, RH, MATTE BLACK	1
13	<a href="#">1011899</a>	DOOR, SKIN, LH	1
14	<a href="#">1011900</a>	DOOR, SKIN, RH	1
15	<a href="#">1045772</a>	SCR-TX TRUSS-#14X3/4, HI/LO ZBK	24
16	<a href="#">1014444</a>	SCREW-TXBH-M6X1.0X12 8.8 ZPB D20	4
17	<a href="#">1045056</a>	ASM-DOOR,BOTTOM HALF,LH [INCL. 15,17,19,23,24]	1
17	<a href="#">1045067</a>	WELD-MOUNT,DOOR,LOWER,LH,RZN	1
18	<a href="#">1045058</a>	ASM-DOOR,BOTTOM HALF,RH [INCL. 15,18,20,23,24]	1
18	<a href="#">1045068</a>	WELD-MOUNT,DOOR,LOWER,RH,RZN	1
19	<a href="#">1045069</a>	PANEL, DOOR, PLASTIC, LOWER, LH	1
20	<a href="#">1045070</a>	PANEL, DOOR, PLASTIC, LOWER, RH	1
21	<a href="#">1045071</a>	SCREW-HXBH-M8X1.25X16 10.9 ZPB	12
22	<a href="#">1039779</a>	NUT,NYLOCK M8X1.25(10)	4
23	<a href="#">1045072</a>	SEAL, WEATHER STRIP, LOWER, DOOR	2
24	<a href="#">1045073</a>	SEAL, WEATHER STRIP, LOWER, DOOR	2
25		MOUNT-LWR DOOR,LH,RZN,BLK	1
26		MOUNT-LWR DOOR,RH,RZN,BLK	1



# BODY, DOORS, RIDE COMMAND

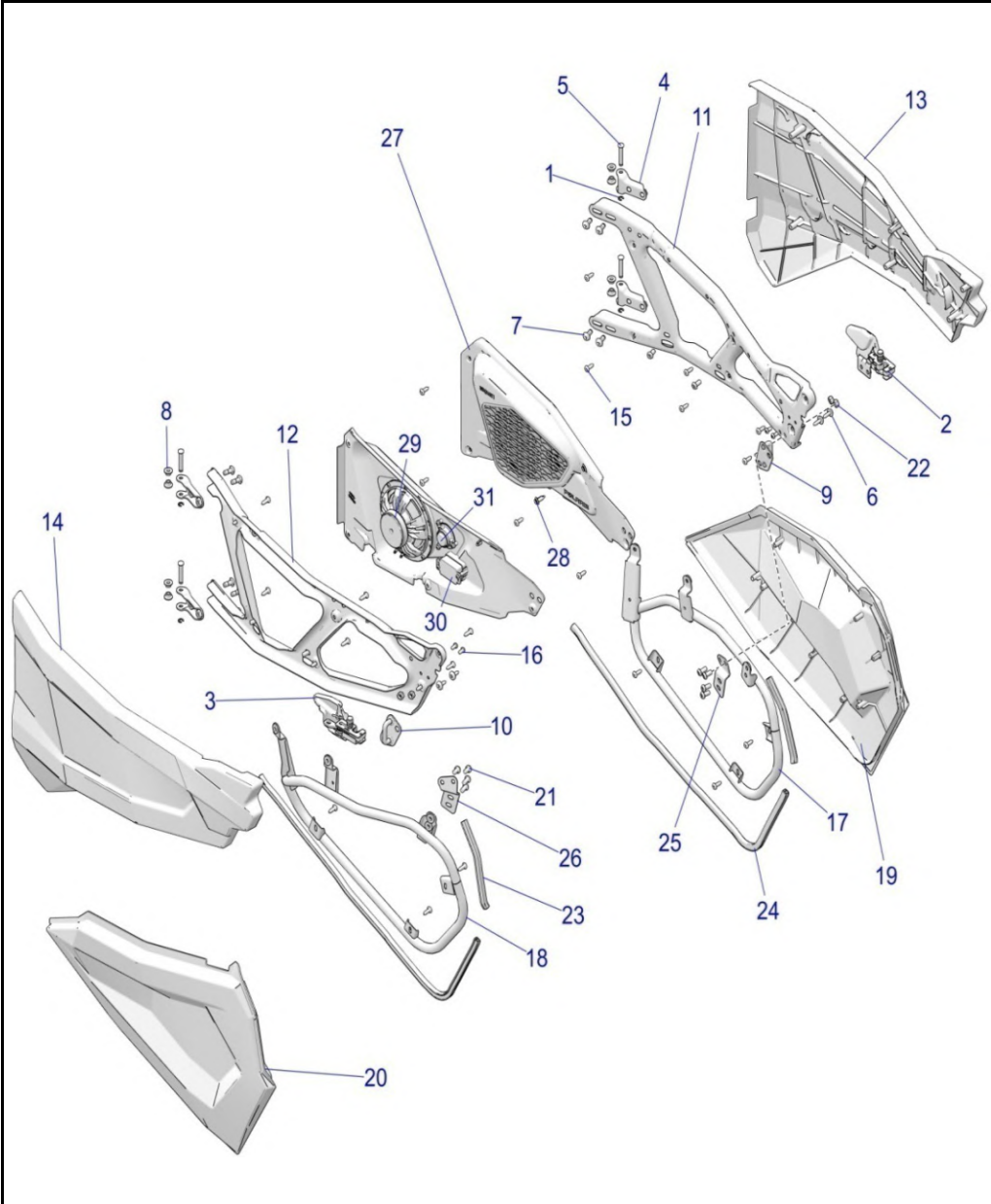
2022 RZR RZR XP 1000 PREMIUM (R02) - Z22NAK99AK/AR/BK/BR/NAV99AK/AR/BK/BR



POS	SAP	Part Name	Qty
1	1045065	SCREW-FLHD-M5X0.8X12 10.9 P&O	4
2	1030446	ASM-LATCH,DOOR,LH	1
3	1033790	ASM-LATCH,DOOR,RH	1
4	1011491	BRACKET, DOOR, HINGE	4
5	1045066	SCR-TXWH-M5X0.8X40 10.9 ZTB SP	4
6	1014447	SCREW-TXTH-M6X1.0X20 T40 ZPB	4
7	1014473	SCR-TXTH-M8X1.25X20 8.8 ZB3 P3	8
8	1011897	BUSHING, DOOR, PIVOT	8
9	1001510	ASM., STRIKER, LH	1
10	1001511	ASM., STRIKER, RH	1
11	1011489	STAMPING, DOOR FRAME, LH, MATTE BLACK	1
12	1011490	STAMPING, DOOR FRAME, RH, MATTE BLACK	1
13	1011899	DOOR, SKIN, LH	1
14	1011900	DOOR, SKIN, RH	1
15	1045772	SCR-TX TRUSS-#14X3/4, HI/LO ZBK	AR
16	1014444	SCREW-TXBH-M6X1.0X12 8.8 ZPB D20	4
17	1045067	WELD-MOUNT,DOOR,LOWER,LH,RZN	1
18	1045068	WELD-MOUNT,DOOR,LOWER,RH,RZN	1
19	1045069	PANEL, DOOR, PLASTIC, LOWER, LH	1
20	1045070	PANEL, DOOR, PLASTIC, LOWER, RH	1
21	1045071	SCREW-HXBH-M8X1.25X16 10.9 ZPB	AR
22	1039779	NUT,NYLOCK M8X1.25(10)	4
23	1045072	SEAL, WEATHER STRIP, LOWER, DOOR	2
24	1045073	SEAL, WEATHER STRIP, LOWER, DOOR	2
25	1040163	MOUNT-LWR DOOR,LH,RZN,BLK	1
26	1040163	MOUNT-LWR DOOR,RH,RZN,BLK	1
27	1045074	ASM-SPEAKER,DOOR,PANEL,LH,RZT [INCLUDES 29-32]	1
27	1045075	ASM-SPEAKER,DOOR,PANEL,RH,RZT [INCLUDES 29-32]	1
28	1014589	RIVET-TUFLOK,.315-.325X.787	2

# BODY, DOORS, RIDE COMMAND

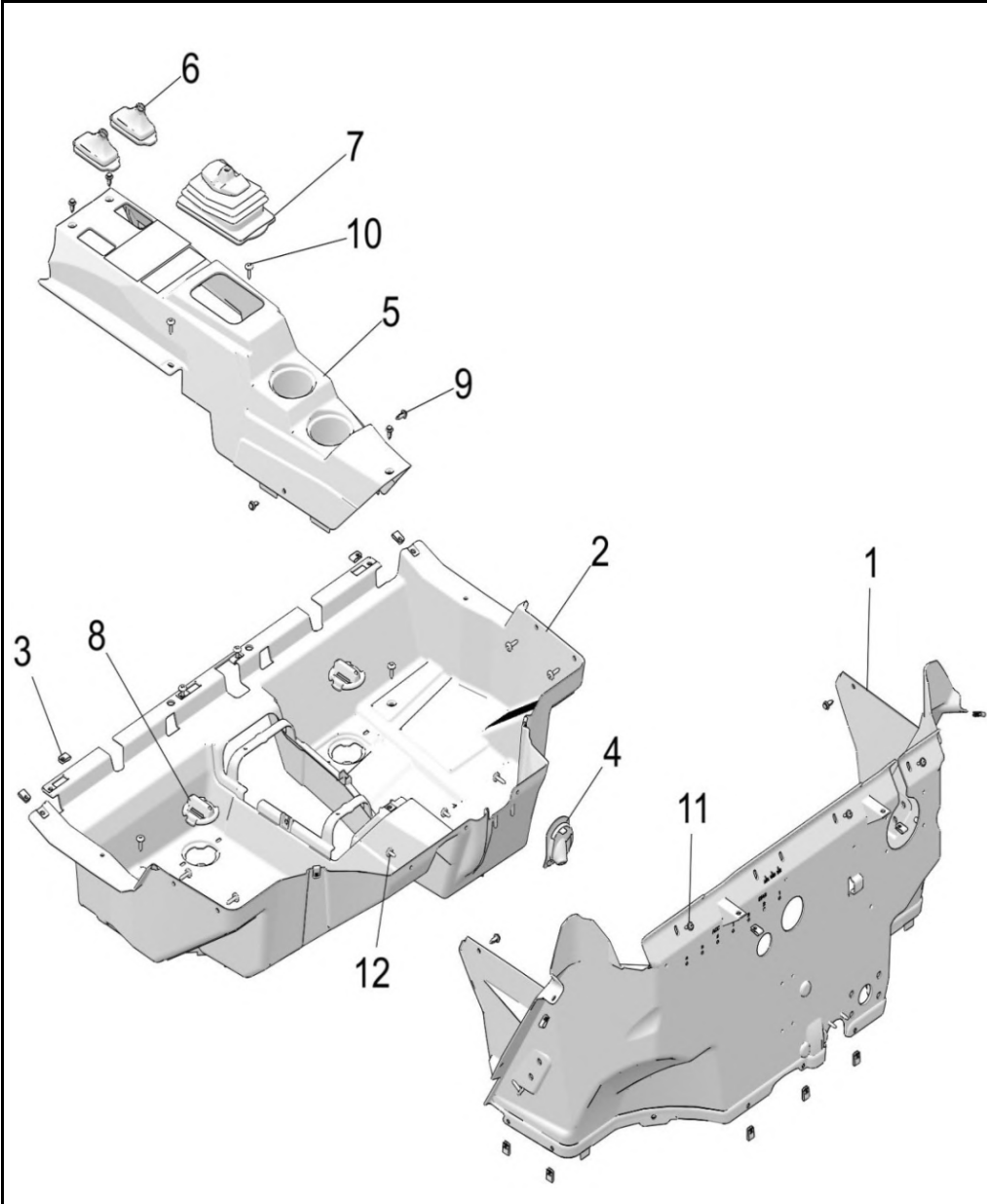
2022 RZR RZR XP 1000 PREMIUM (R02) - Z22NAK99AK/AR/BK/BR/NAV99AK/AR/BK/BR



POS	SAP	Part Name	Qty
29	<a href="#">1045076</a>	SPKR-DOOR,PANEL,WOOFER,RZT	1
30	<a href="#">1045077</a>	CROSSOVER-DOOR,PANEL,RZT	1
31	<a href="#">1045078</a>	SPKR-DOOR,PANEL,TWTR,RZT	1

## BODY, FRONT BUMPER

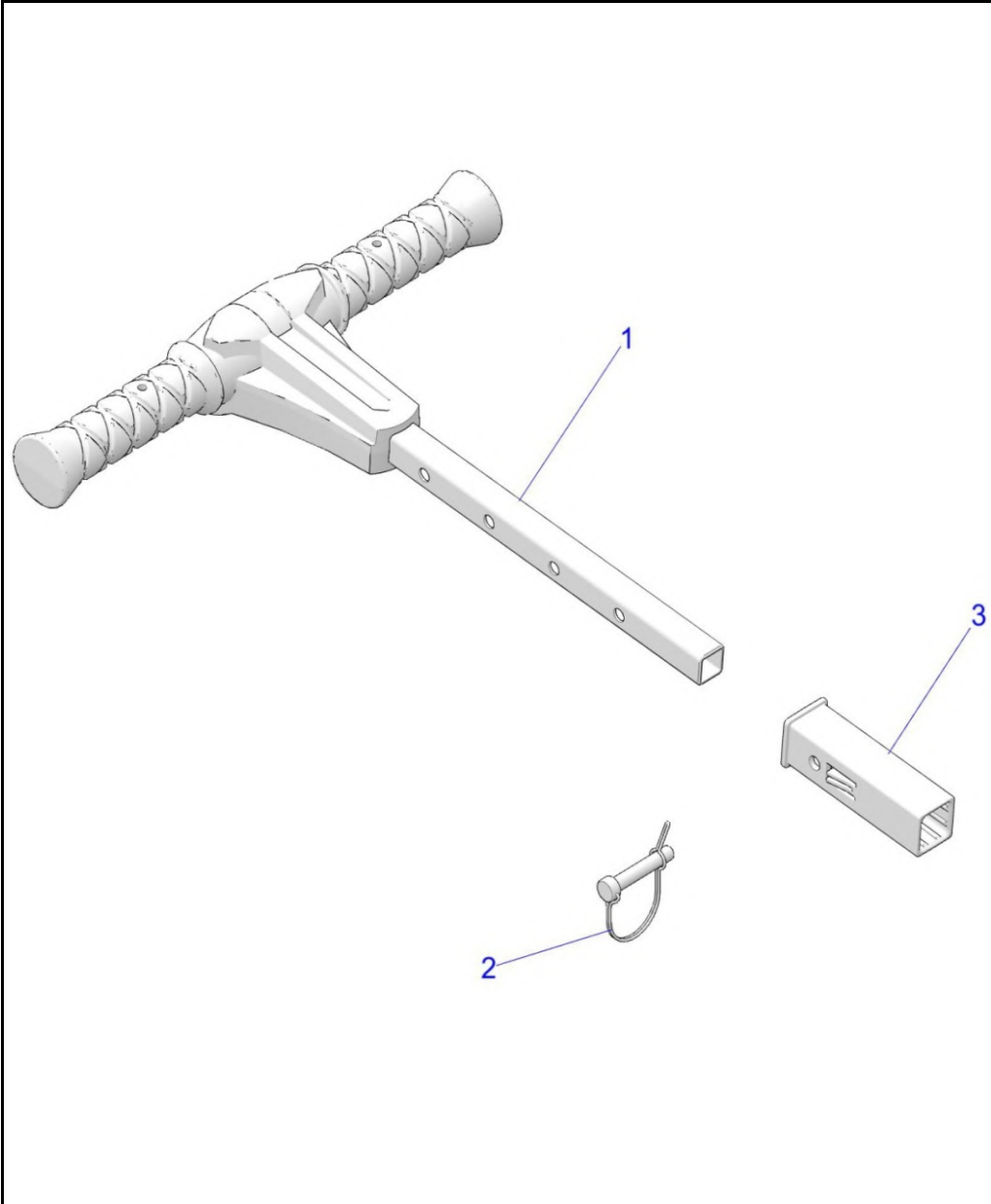
2022 RZR RZR XP 1000 PREMIUM (R02) - Z22NAK99AK/AR/BK/BR/NAV99AK/AR/BK/BR



POS	SAP	Part Name	Qty
1	<a href="#">1045079</a>	ASM-FIREWALL,MAIN,ROUTERED,BLK [INCL. 11 QTY OF 3]	1
2	<a href="#">1045080</a>	ASM-FLOOR,MAIN,BLK [INCL. 8 OF 3]	1
3	<a href="#">1014509</a>	NUT-M6-1.0, U-TYPE (2.5-3.8)	AR
4	<a href="#">1039555</a>	BOOT, STEERING	1
5	<a href="#">1045081</a>	ASM-CONSOLE,WARNDICAL,BLK [INCL. WARNING DECAL]	1
6	<a href="#">1039903</a>	BOOT, SEAT BELT, BLACK	2
7	<a href="#">1011811</a>	BOOT, SHIFTER	1
8	<a href="#">1011806</a>	PLUG, DRAIN, FLOOR	2
9	<a href="#">1014589</a>	RIVET-TUFLOK,.315-.325X.787	AR
10	<a href="#">1014459</a>	SCR-TXTH-M6X1.0X25 ZFB	AR
11	<a href="#">1039669</a>	SCR-10-24X3/4 PH/TX/TRI-SEMS Y	3
12	<a href="#">1014437</a>	SCR-M6X1X16 TR/TX-M	2

# BODY, GRAB BAR, PASSENGER

2022 RZR RZR XP 1000 PREMIUM (R02) - Z22NAK99AK/AR/BK/BR/NAV99AK/AR/BK/BR

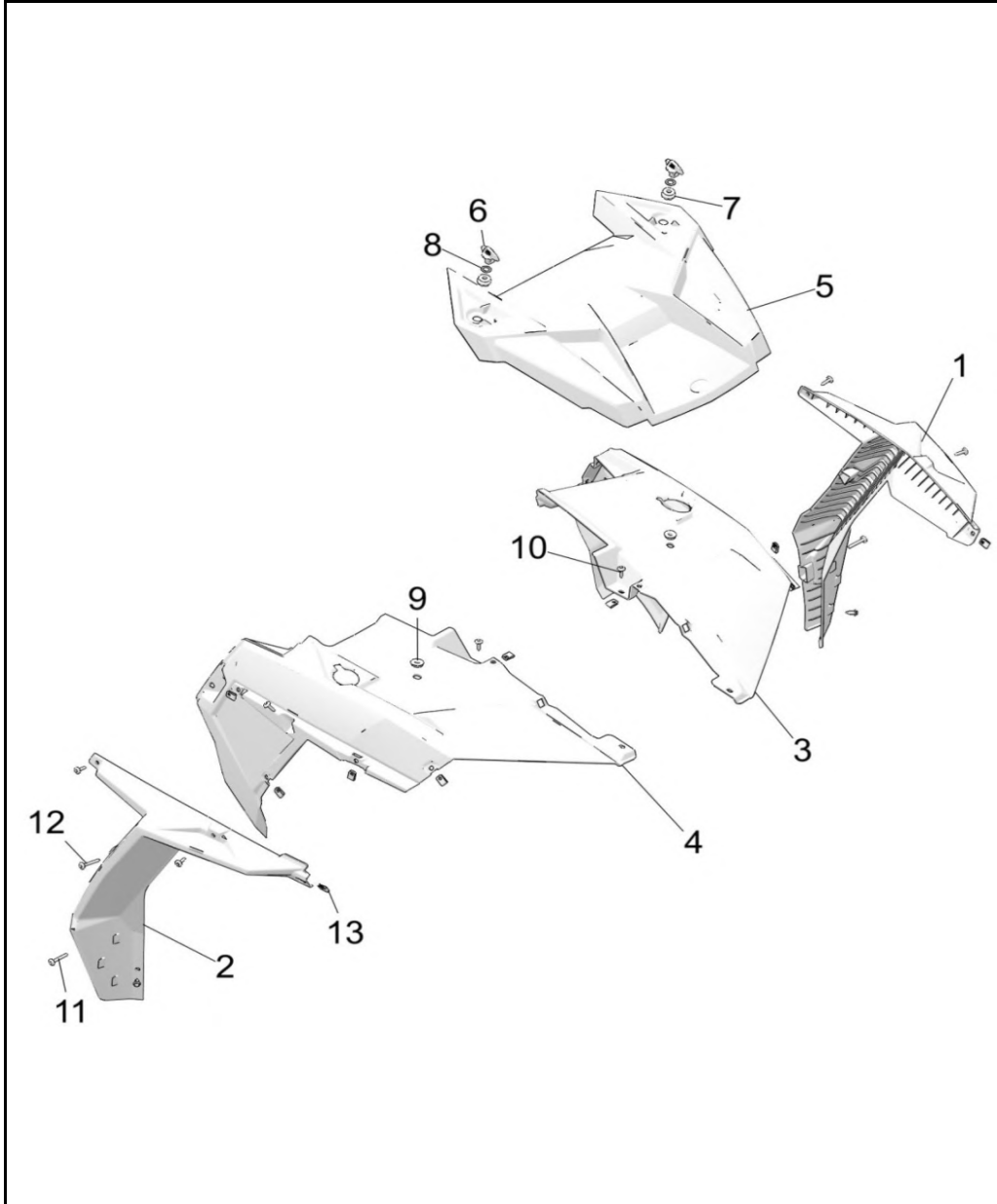


POS	SAP	Part Name	Qty
1	<a href="#">1006282</a>	ASM., GRAB BAR	1
2	<a href="#">1014590</a>	PIN-HITCH, TAB	1
3	<a href="#">1039571</a>	BUSHING-GRAB BAR SQ	1



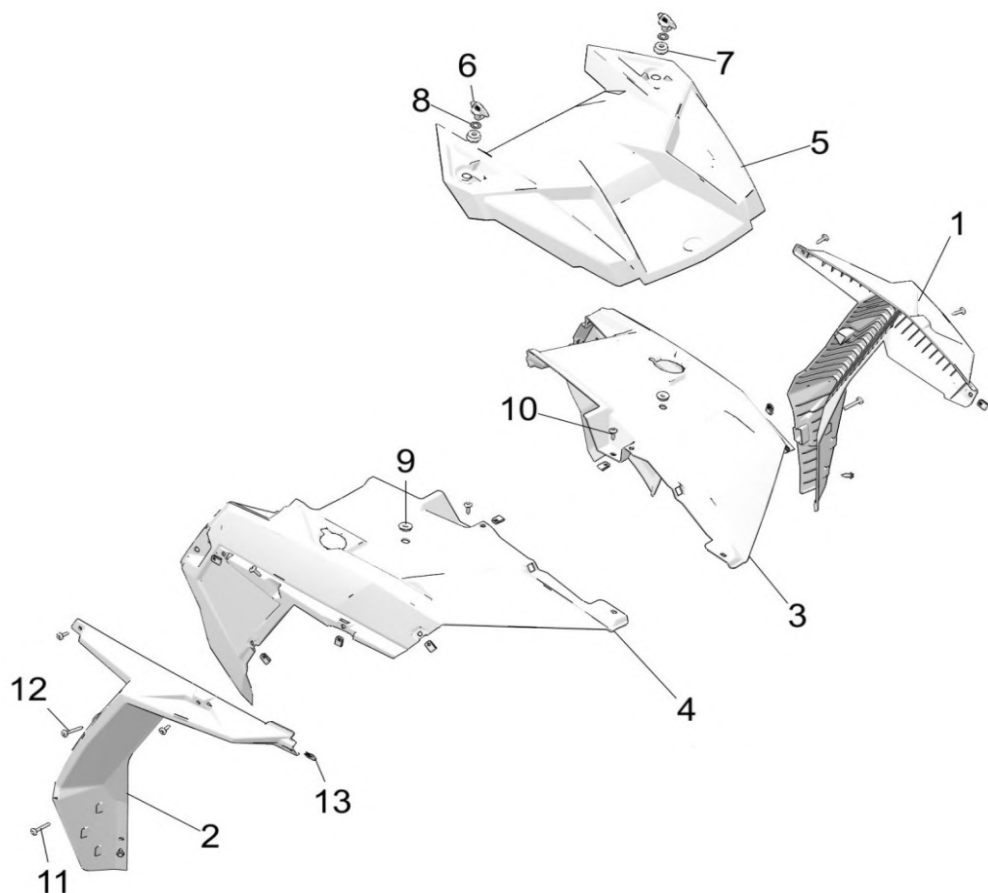
## BODY, HOOD AND FRONT BODY WORK

2022 RZR RZR XP 1000 PREMIUM (R02) - Z22NAK99AK/AR/BK/BR/NAV99AK/AR/BK/BR



POS	SAP	Part Name	Qty
1	<a href="#">1011869</a>	FENDER, FRONT FLAIR, LH, BLACK	1
2	<a href="#">1011870</a>	FENDER, FRONT FLAIR, RH, BLACK	1
3	<a href="#">1045089</a>	FENDER-FR,PNTD,LH,PBLK [AK][BK]	1
3	<a href="#">1045090</a>	FENDER-FR,PNTD,LH,GH.GRAY [AR][BR]	1
4	<a href="#">1045084</a>	FENDER-FR,PNTD,RH,PBLK [AK][BK]	1
4	<a href="#">1045085</a>	FENDER-FR,PNTD,RH,GH.GRAY [AR][BR]	1
5	<a href="#">1045093</a>	HOOD-CENTER,TXT,BLK	1
6	<a href="#">1045094</a>	LATCH, 1/4 TURN	2
7	<a href="#">1011795</a>	GROMMET, LATCH	2
8	<a href="#">1014517</a>	WASHER-.510X.840X.031 Y	2
9	<a href="#">1045088</a>	GROMMET, 4MM	2
10	<a href="#">1014459</a>	SCR-TXTH-M6X1.0X25 ZFB	8
11	<a href="#">1014467</a>	SCR-14X1.75 T40 TX HI/LO	2
12	<a href="#">1014468</a>	SCR-TXTH-M6X1.0X50 RIE	2
13	<a href="#">1014509</a>	NUT-M6-1.0, U-TYPE (2.5-3.8)	14

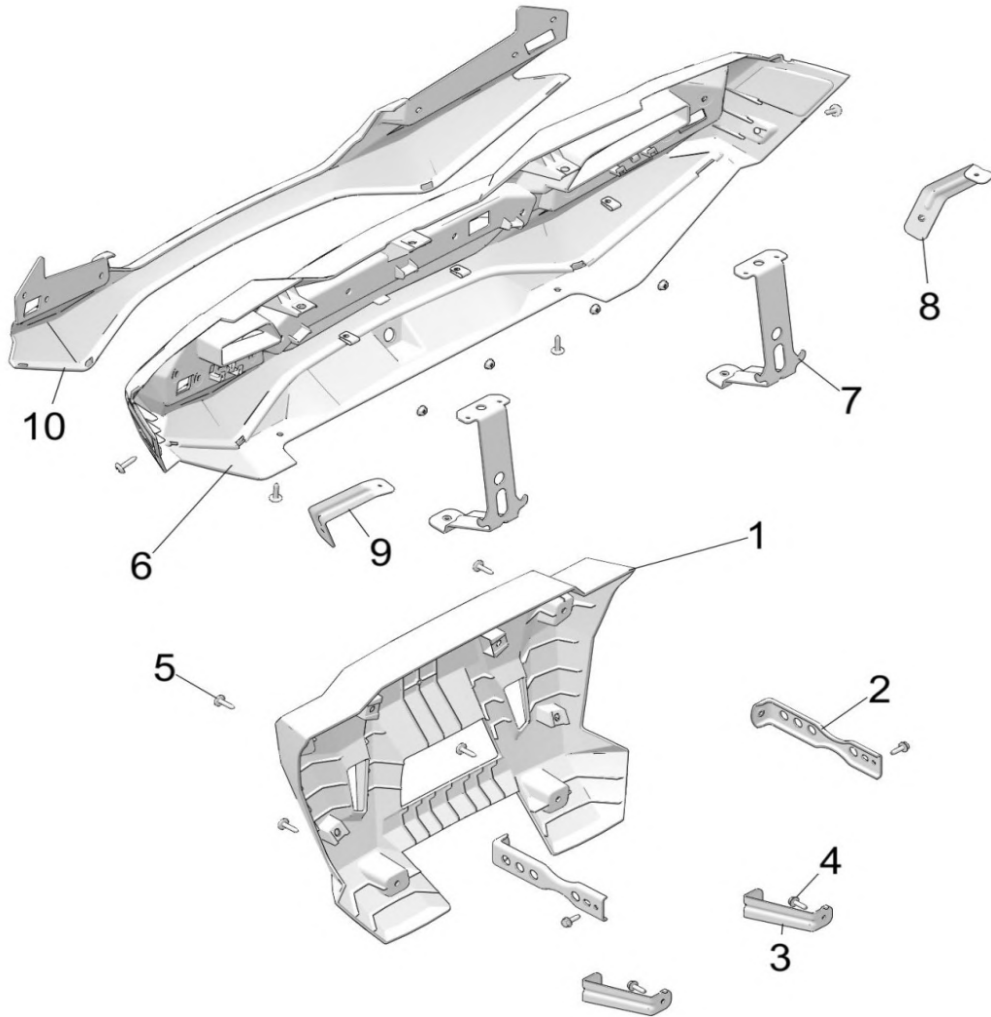
**BODY, HOOD AND FRONT BODY WORK, RIDE COMMAND** 2022 RZR RZR XP 1000 PREMIUM (R02) - Z22NAK99AK/AR/BK/BR/NAV99AK/AR/BK/BR



POS	SAP	Part Name	Qty
1	<a href="#">1011869</a>	FENDER, FRONT FLAIR, LH, BLACK	1
2	<a href="#">1011870</a>	FENDER, FRONT FLAIR, RH, BLACK	1
3	<a href="#">1045089</a>	FENDER-FR,PNTD,LH,PBLK [AK][BK]	1
3	<a href="#">1045090</a>	FENDER-FR,PNTD,LH,GH.GRAY [AR][BR]	1
4	<a href="#">1045091</a>	FENDER,FR,PNTD,RC,RH,P.BLK [AK][BK]	1
4	<a href="#">1045092</a>	FENDER,FR,PNTD,RC,RH,G.GRAY [AR][BR]	1
5	<a href="#">1045093</a>	HOOD-CENTER,TXT,BLK	1
6	<a href="#">1045094</a>	LATCH, 1/4 TURN	2
7	<a href="#">1011795</a>	GROMMET, LATCH	2
8	<a href="#">1014517</a>	WASHER-.510X.840X.031 Y	2
9	<a href="#">1045088</a>	GROMMET, 4MM	2
10	<a href="#">1014459</a>	SCR-TXTH-M6X1.0X25 ZFB	8
11	<a href="#">1014467</a>	SCR-14X1.75 T40 TX HI/LO	2
12	<a href="#">1014468</a>	SCR-TXTH-M6X1.0X50 RIE	2
13	<a href="#">1014509</a>	NUT-M6-1.0, U-TYPE (2.5-3.8)	14

## BODY, REAR BUMPER

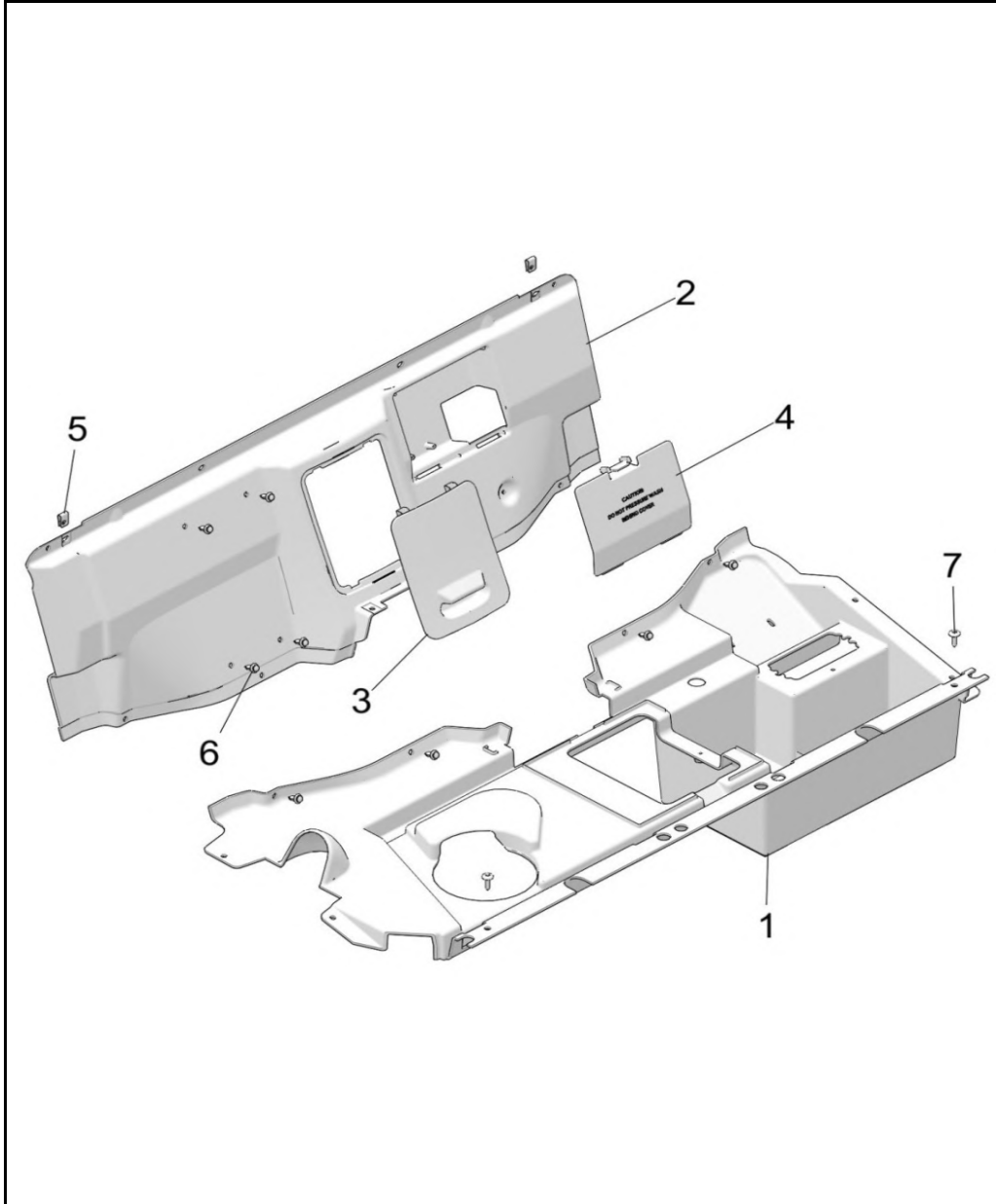
2022 RZR RZR XP 1000 PREMIUM (R02) - Z22NAK99AK/AR/BK/BR/NAV99AK/AR/BK/BR



POS	SAP	Part Name	Qty
1	<a href="#">1011889</a>	FASCIA, REAR, LOWER, BLACK	1
2	<a href="#">1011488</a>	BRACKET, UPPER, BUMPER, REAR, BLACK	2
3	<a href="#">1039882</a>	BRACKET, LOWER, BUMPER, REAR, BLACK	2
4	<a href="#">1039683</a>	SCR-M6X1.0X20, HXHD, FLG, TDFM, BK	4
5	<a href="#">1014459</a>	SCR-TXTH-M6X1.0X25 ZFB	4
6	<a href="#">1045096</a>	FASCIA-REAR,BLK	1
7	<a href="#">1045097</a>	BRKT-REAR FASCIA,ECOAT	2
8	<a href="#">1045098</a>	BRKT-REAR FASCIA,LH,ECOAT	1
9	<a href="#">1045099</a>	BRKT-REAR FASCIA,RH,ECOAT	1
10	<a href="#">1045100</a>	PANEL-ACCENT,RR FASCIA,PTD,BLK [AK][BK]	1
10	<a href="#">1045101</a>	PANEL-ACCENT,RR FASCIA,PTD,I.R [AR][BR]	1

## BODY, REAR CLOSEOFF

2022 RZR RZR XP 1000 PREMIUM (R02) - Z22NAK99AK/AR/BK/BR/NAV99AK/AR/BK/BR

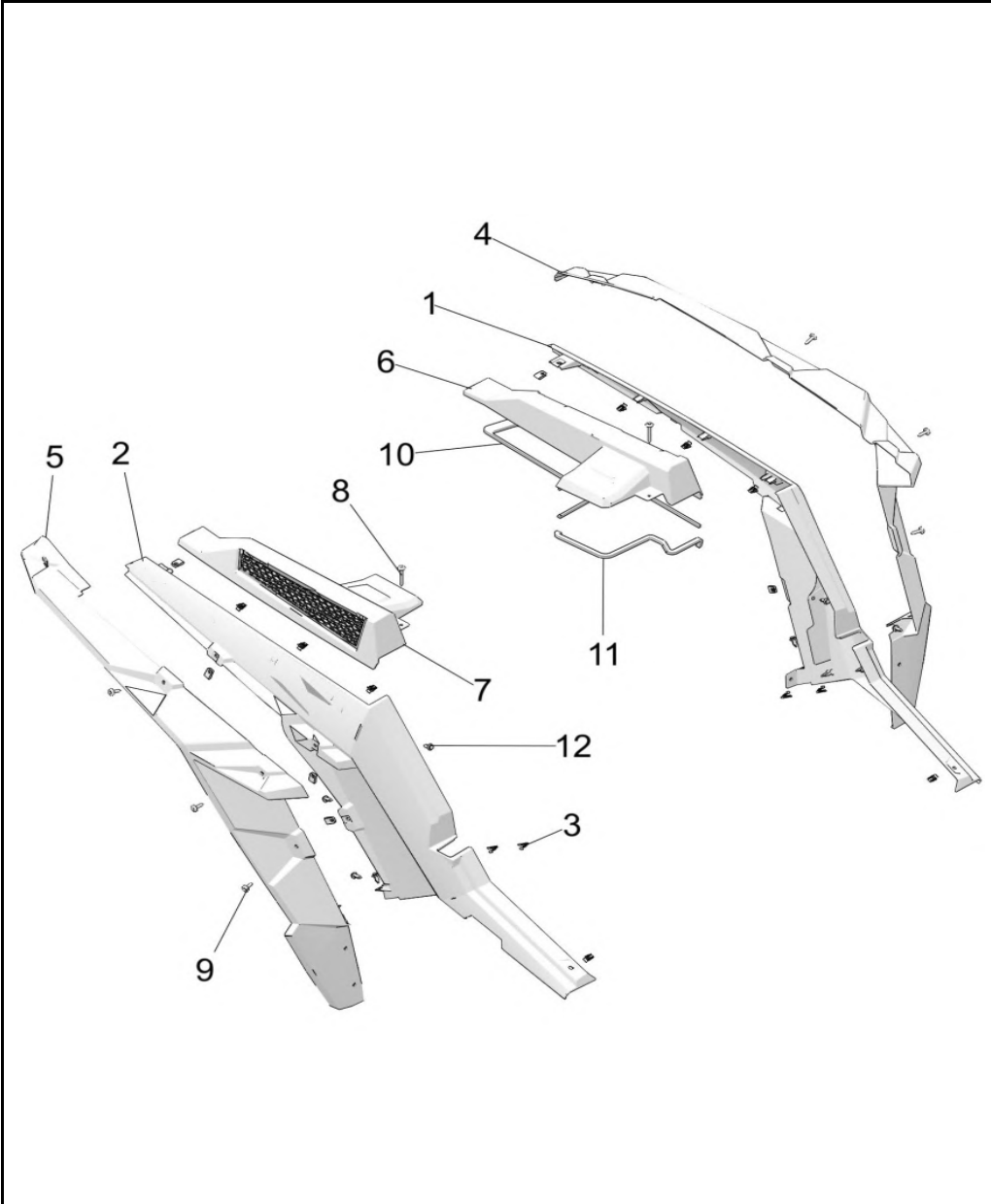


POS	SAP	Part Name	Qty
1	<a href="#">1039899</a>	PANEL, REAR CLOSEOFF, LOWER, BLACK	1
2	<a href="#">1045102</a>	ASM-PANEL-REAR CLOSEOFF,UPR [INCL. 2, QTY 2 OF REF 5, QTY 4 OF REF 6]	1
2	<a href="#">1011978</a>	PANEL-REAR CLOSEOFF,UPR	1
2	<a href="#">1045103</a>	PANEL-REAR CLOSEOFF,UPR [BK][BR]	1
3	<a href="#">1011979</a>	PANEL, ACCESS, ENGINE, BLACK	1
4	<a href="#">1039584</a>	COVER-ECU	1
5	<a href="#">1014509</a>	NUT-M6-1.0, U-TYPE (2.5-3.8)	2
6	<a href="#">1014589</a>	RIVET-TUFLOK,.315-.325X.787	4
7	<a href="#">1014459</a>	SCR-TXTH-M6X1.0X25 ZFB	AR



## BODY, REAR FENDERS AND BEZELS

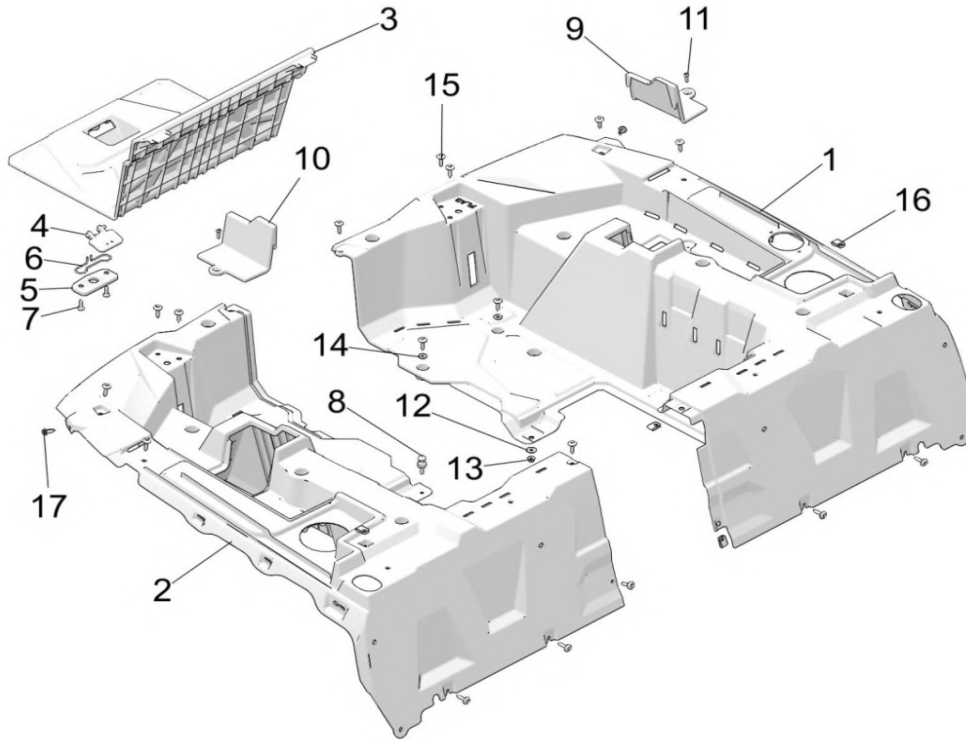
2022 RZR RZR XP 1000 PREMIUM (R02) - Z22NAK99AK/AR/BK/BR/NAV99AK/AR/BK/BR



POS	SAP	Part Name	Qty
1	<a href="#">1006286</a>	ASM., FENDER, REAR, CLIP, LH, PAINTED, PEARL BLACK [INCL. QTY 6 OF 3][AK][BK]	1
1	<a href="#">1045104</a>	ASM-FNDR,PNT,RR,CLIP,LH,GH.GRY [INCL. QTY 6 OF 3][AR][BR]	1
2	<a href="#">1006287</a>	ASM., FENDER, REAR, CLIP, RH, PAINTED, PEARL BLACK [INCL. QTY 6 OF 3][AK][BK]	1
2	<a href="#">1045105</a>	ASM-FNDR,PNT,RR,CLIP,RH,GH.GRY [INCL. QTY 6 OF 3][AR][BR]	1
3	<a href="#">1014466</a>	CLIP, DASH, TRIM, METAL	AR
4	<a href="#">1011871</a>	FENDER, REAR FLAIR, LH, BLACK	1
5	<a href="#">1011872</a>	FENDER, REAR FLAIR, RH, BLACK	1
6	<a href="#">1006294</a>	ASM., BEZEL, LH, FROG SKINZ	1
6	<a href="#">1006295</a>	ASM., BEZEL, RH, FROG SKINZ	1
6	<a href="#">1045106</a>	BEZEL, AIR INTAKE, LH, BLACK	1
7	<a href="#">1045107</a>	BEZEL, AIR INTAKE, RH, BLACK	1
8	<a href="#">1014468</a>	SCR-TXTH-M6X1.0X50 RIE	2
9	<a href="#">1014459</a>	SCR-TXTH-M6X1.0X25 ZFB	AR
10	<a href="#">1045108</a>	SEAL,CLUTCH INTAKE,REAR	1
11	<a href="#">1045109</a>	SEAL,CLUTCH INTAKE,FRONT	1
12	<a href="#">1014589</a>	RIVET-TUFLOK,.315-.325X.787	AR

## BODY, REAR RACK

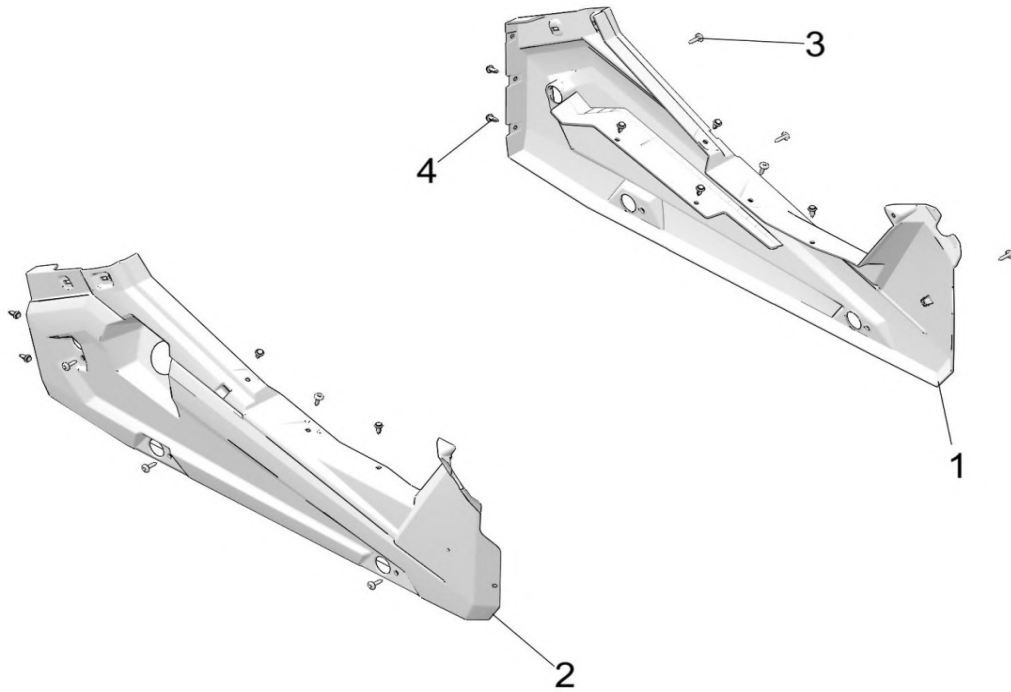
2022 RZR RZR XP 1000 PREMIUM (R02) - Z22NAK99AK/AR/BK/BR/NAV99AK/AR/BK/BR



POS	SAP	Part Name	Qty
1	<a href="#">1011983</a>	BOX-REAR,LH	1
2	<a href="#">1011981</a>	BOX-REAR,RH	1
3	<a href="#">1045110</a>	ASM-PANEL-BOX,ACCESS [INCL. 4-7, DECAL]	1
4	<a href="#">1011830</a>	LEVER, LATCH, SEAT	1
5	<a href="#">1011896</a>	LATCH, COVER PLATE, BLACK	1
6	<a href="#">1045115</a>	SPRING, LATCH, SEAT	1
7	<a href="#">1039737</a>	SCR-TXPH-#14X3/4 HI/LO CLR	2
8	<a href="#">1039506</a>	PLUNGER, BOX, LATCH	1
9	<a href="#">1039911</a>	COVER PLASTIC,REAR ROP,LH,BLK	1
10	<a href="#">1039908</a>	COVER, PLASTIC, REAR ROP, RH, BLACK	1
11	<a href="#">1014423</a>	SCREW-#10X3/4-HI/LO-PN-T25,TRX-M	2
12	<a href="#">1039798</a>	WASHER-FL .281X.750X.062-Y	1
13	<a href="#">1014499</a>	NUT- M8X1.25, FLG, NYLOC-OLIVE D	1
14	<a href="#">1039799</a>	WASHER-NYLON,.260X.62X.110	3
15	<a href="#">1014459</a>	SCR-TXTH-M6X1.0X25 ZFB	AR
16	<a href="#">1014509</a>	NUT-M6-1.0, U-TYPE (2.5-3.8)	AR
17	<a href="#">1014589</a>	RIVET-TUFLOK,.315-.325X.787	AR

## BODY, ROCKER PANELS

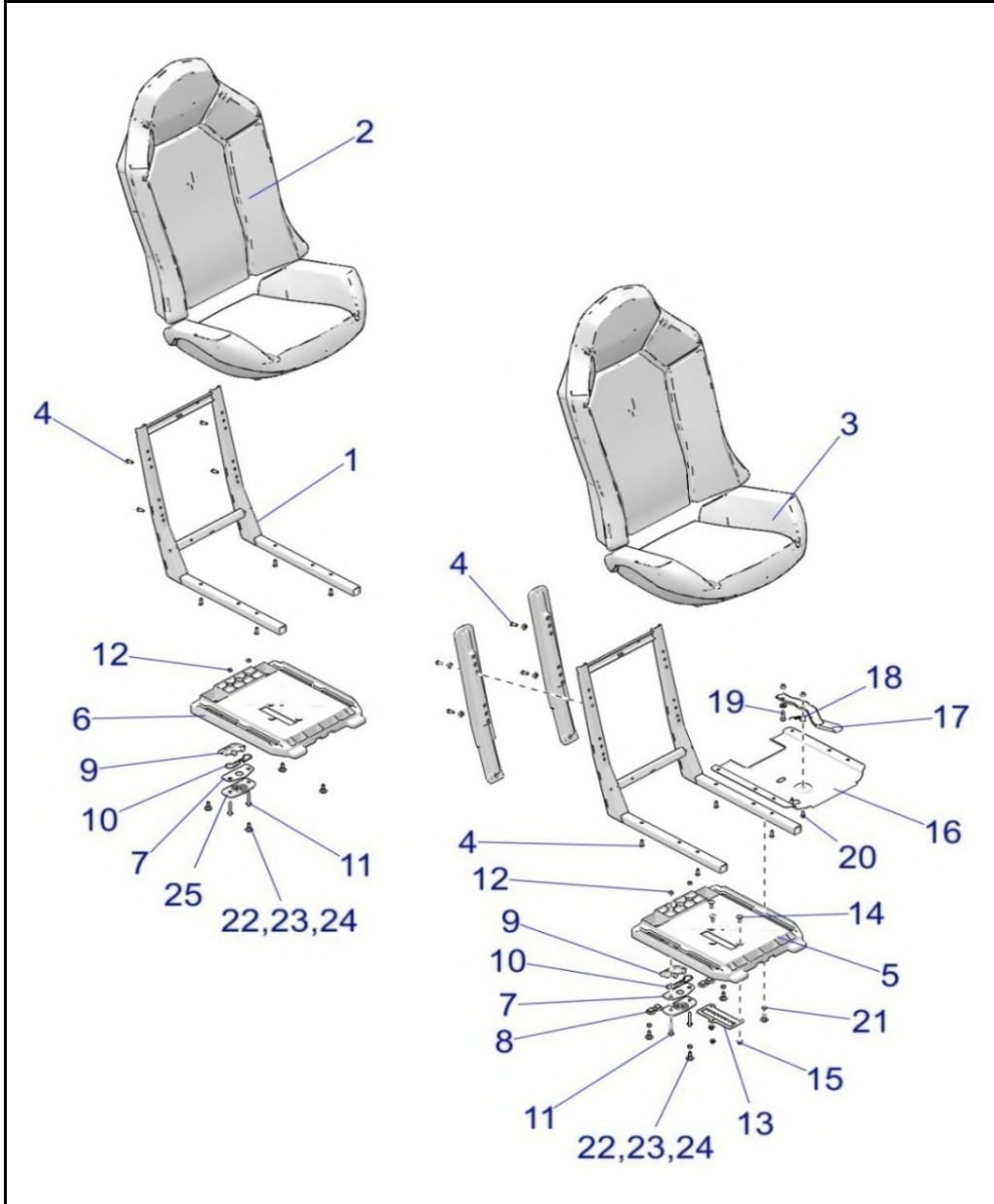
2022 RZR RZR XP 1000 PREMIUM (R02) - Z22NAK99AK/AR/BK/BR/NAV99AK/AR/BK/BR



POS	SAP	Part Name	Qty
1	<a href="#">1011915</a>	ROCKER, LH, BLACK	1
2	<a href="#">1011916</a>	ROCKER, RH, BLACK	1
3	<a href="#">1014459</a>	SCR-TXTH-M6X1.0X25 ZFB	AR
4	<a href="#">1014589</a>	RIVET-TUFLOK,.315-.325X.787	AR

# BODY, SEAT ASM. AND SLIDER

2022 RZR RZR XP 1000 PREMIUM (R02) - Z22NAK99AK/AR/BK/BR/NAV99AK/AR/BK/BR

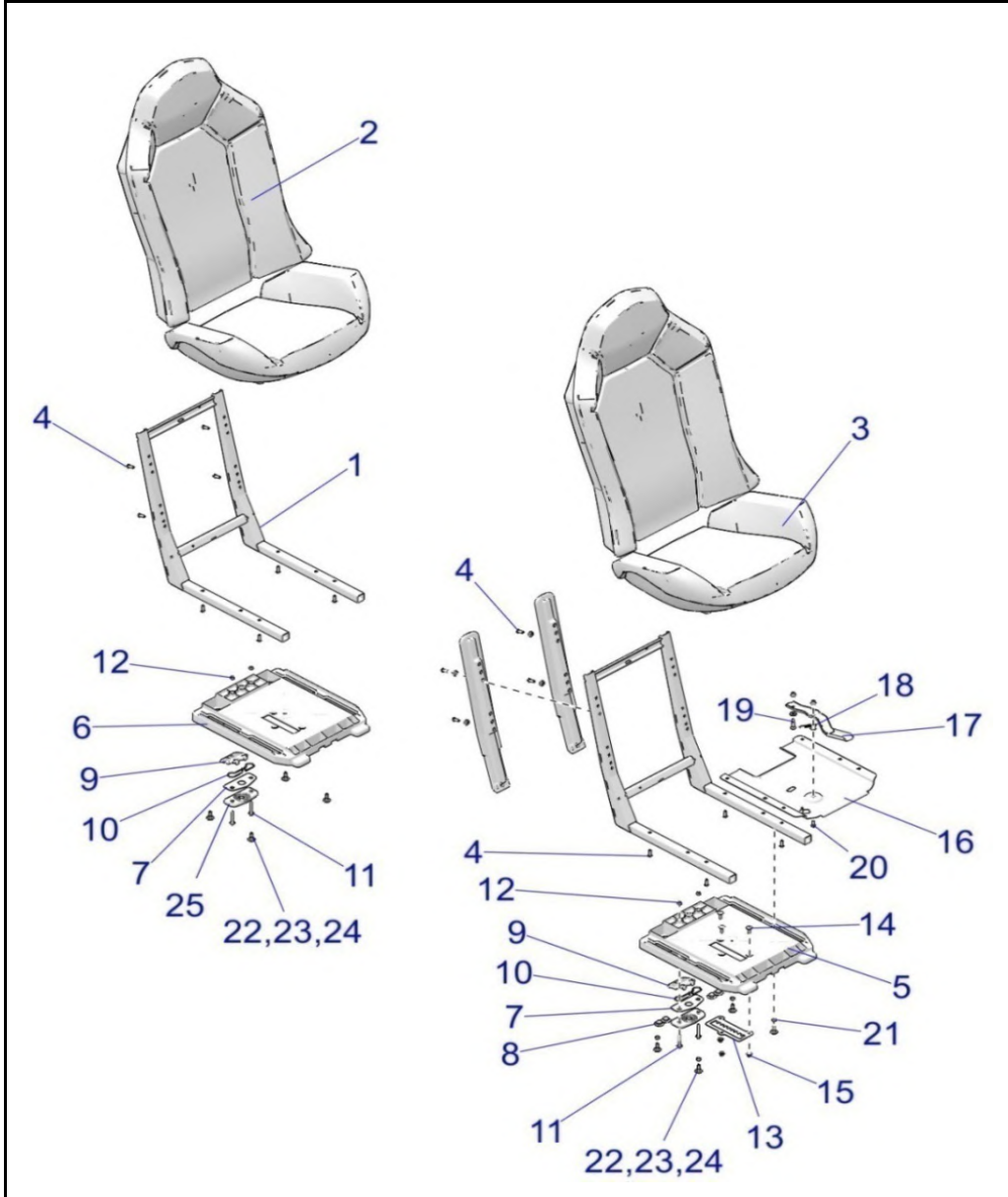


POS	SAP	Part Name	Qty
1	1039345	WELD-FRAME, SEAT	2
2	1045112	ASM-SEAT, BACK, BLK/V.BLUE, WH ST [AK][BK]	2
2	1006342	ASM-SEAT BACK, HAV RED/BLK [AR][BR]	2
3	1045113	ASM-SEAT BTM, BLK/V.BLUE, WHT ST [AK][BK]	2
3	1006343	ASM-SEAT BTM, HAV RED/BLK [AR][BR]	2
4	1014427	SCREW-1/4-20x3/4 BH TRX, GR5-Z	16
4	1014427	SCREW-1/4-20x3/4 BH TRX, GR5-Z	16
4	1014427	SCREW-1/4-20x3/4 BH TRX, GR5-Z	16
5	1039388	ASM., BASE, SEAT [INCL. 6-12,25]	2
5	1039395	ASM., BASE, SEAT SLIDER [INCL. 6-14, QTY 3 OF 15,25]	1
6	1039570	SEAT, BASE	1
7	1039523	PLATE, LATCH, SEAT	2
7	1039523	PLATE, LATCH, SEAT	2
8	1039539	GROMMET, SEAT, BASE	12
9	1011830	LEVER, LATCH, SEAT	2
9	1011830	LEVER, LATCH, SEAT	2
10	1045115	SPRING, LATCH, SEAT	2
10	1045115	SPRING, LATCH, SEAT	2
11	1039663	SCREW-M6X1.00X40-HX/FL-YD	4
11	1039663	SCREW-M6X1.00X40-HX/FL-YD	4
12	1039773	NUT-6MM X 1 NYLOK-Z	4
12	1039773	NUT-6MM X 1 NYLOK-Z	4
13	1045116	BRACKET, SEAT, SLIDER, ADJUSTABLE PLATE	2
14	1039712	SCR-RHCARM6X1.0X20 8.8 ZOD	3
15	1014499	NUT- M8X1.25, FLG, NYLOC-OLIVE D	5
16	1039527	BRACKET, SEAT SLIDER MOUNTING PLATE	1
17	1033334	BRACKET, SEAT SLIDER LEVER	1
18	1039605	SPRING	1
19	1039706	SCR-SH-M6X1.0X9.5 12.9 ZY3	1



# BODY, SEAT ASM. AND SLIDER

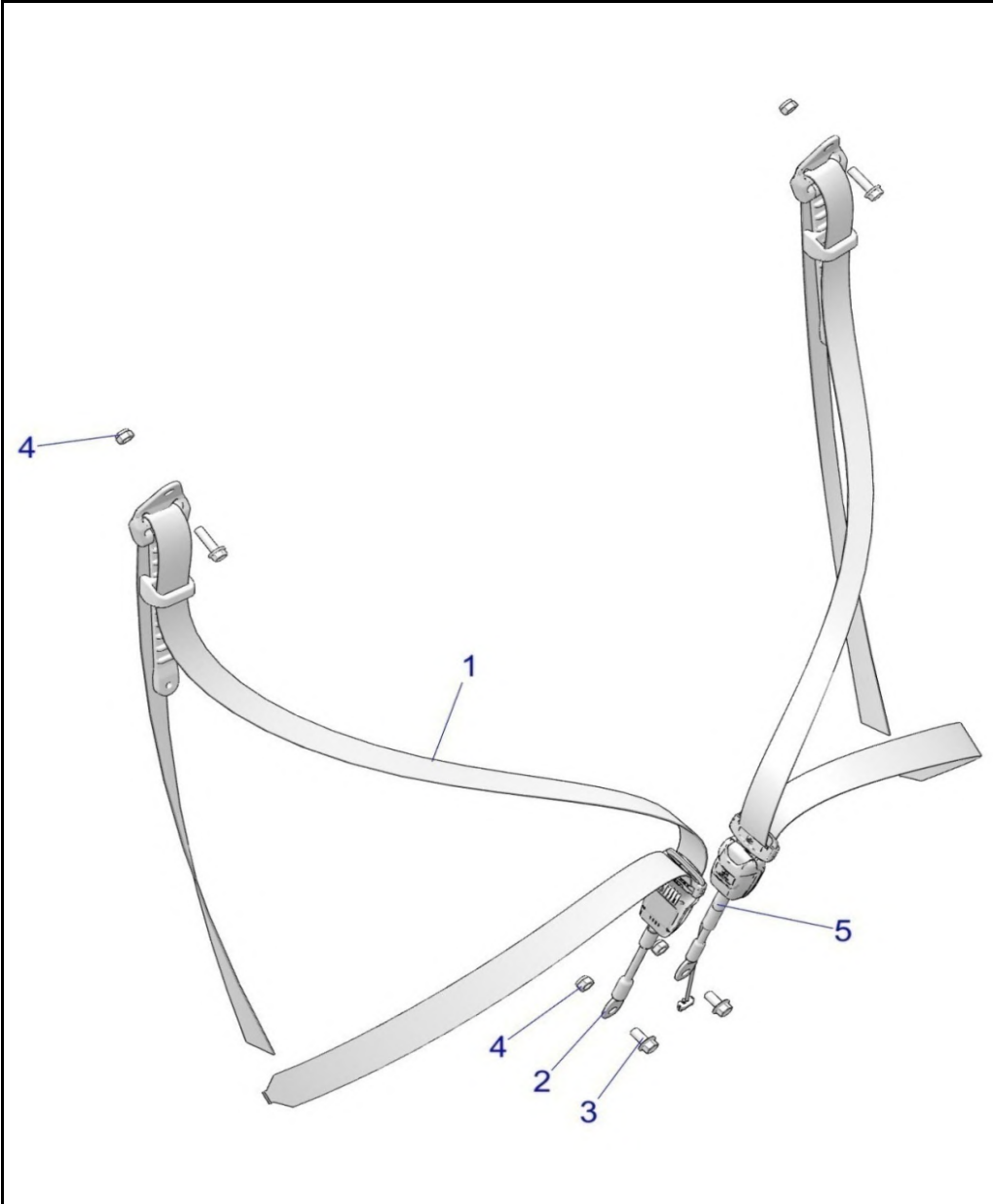
2022 RZR RZR XP 1000 PREMIUM (R02) - Z22NAK99AK/AR/BK/BR/NAV99AK/AR/BK/BR



POS	SAP	Part Name	Qty
20	1039709	BOLT, SHOULDER	1
21	1039531	TUBE, SPACER	4
22	1039739	SCR-1/4-20X1-BH-TRX-GR5-Z	8
22	1039739	SCR-1/4-20X1-BH-TRX-GR5-Z	8
23	1039795	WASHER-1/4 SPRING LOCK-Y	8
23	1039795	WASHER-1/4 SPRING LOCK-Y	8
24	1039798	WASHER-FL .281X.750X.062-Y	8
24	1039798	WASHER-FL .281X.750X.062-Y	8
25	1011896	LATCH, COVER PLATE, BLACK	2

## BODY, SEAT BELT MOUNTING

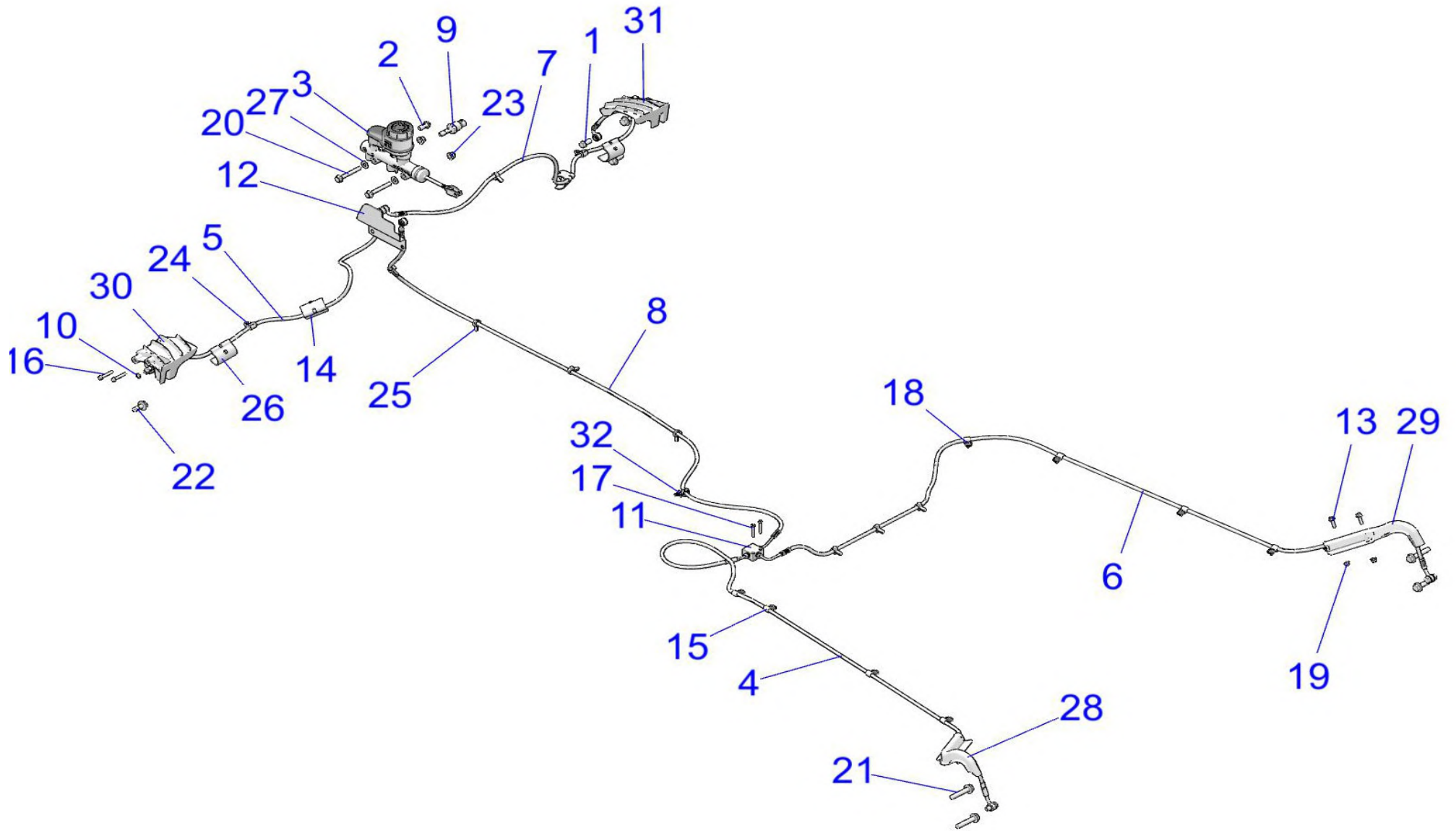
2022 RZR RZR XP 1000 PREMIUM (R02) - Z22NAK99AK/AR/BK/BR/NAV99AK/AR/BK/BR



POS	SAP	Part Name	Qty
1	<a href="#">1006299</a>	ASM., SEATBELT, 3 PT, ADJ	2
2	<a href="#">1039390</a>	BUCKLE, SEAT BELT, 11.5 CABLE 90	1
3	<a href="#">1039718</a>	SCR-M12X1.75X25 8.8 HXFL ZOD	2
4	<a href="#">1039769</a>	NUT-NYLOCK, M12X1.75, 0600110	6
4	<a href="#">1039769</a>	NUT-NYLOCK, M12X1.75, 0600110	6
5	<a href="#">1045117</a>	BUCKLE-SEATBELT,CABL 90,SWITCH	1

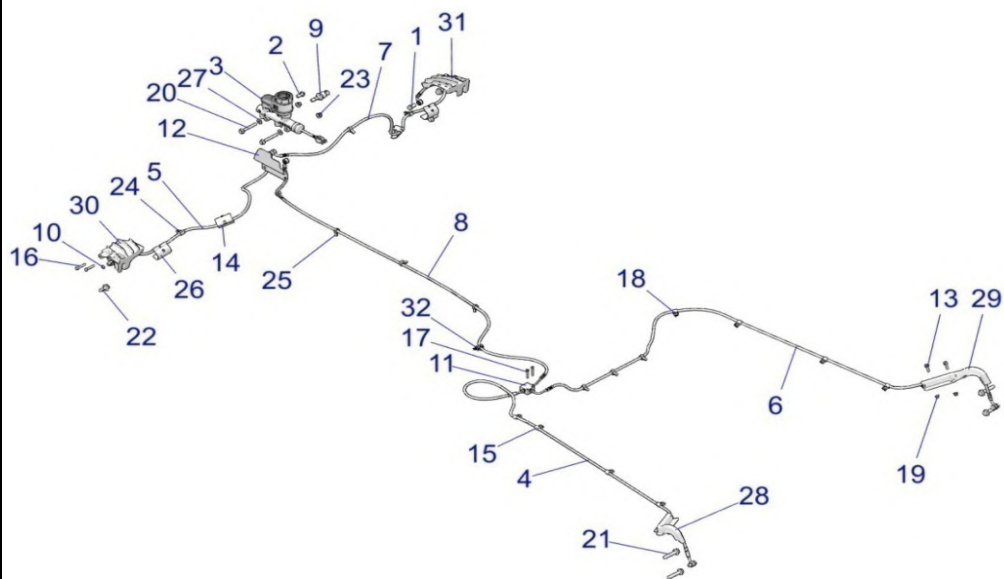
# BRAKES, BRAKE LINES AND MASTER CYLINDER

2022 RZR RZR XP 1000 PREMIUM (R02) - Z22NAK99AK/AR/BK/BR/NAV99AK/AR/BK/BR



## BRAKES, BRAKE LINES AND MASTER CYLINDER

2022 RZR RZR XP 1000 PREMIUM (R02) - Z22NAK99AK/AR/BK/BR/NAV99AK/AR/BK/BR

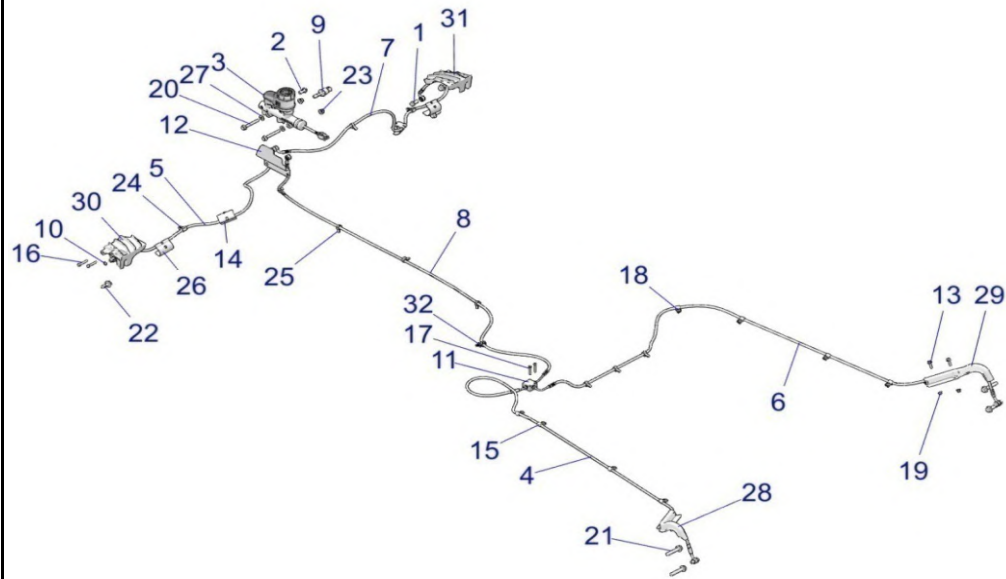


POS	SAP	Part Name	Qty
1	<a href="#">1039367</a>	BOLT-BANJO,10MMX1.00-6G	4
2	<a href="#">1039367</a>	BOLT-BANJO,10MMX1.00-6G	1
3	<a href="#">1039184</a>	ASM., MASTER CYLINDER, TANDEM	1
4	<a href="#">1039369</a>	LINE, BRAKE, RL	1
5	<a href="#">1039038</a>	LINE-BRK,FL,31.9,20B,90SB,180°	1
6	<a href="#">1004295</a>	LINE, BRAKE, REAR	1
7	<a href="#">1039375</a>	LINE-BRK,FR,44.4,70B,90SB,180°	1
8	<a href="#">1045118</a>	LINE-BRK,MC/T,66.7",20F,20B,JJ	1
9	<a href="#">1009582</a>	SWITCH-BRK,M10X1.25,DBL,SEALED [TO 11/1/2021]	1
9	<a href="#">1032907</a>	SWITCH-BRK, M10X1.25, DBL, SEALED [FROM 11/1/2021]	1
10	<a href="#">1011792</a>	SEAL-STAT-0-3/8, 70EP	13
11	<a href="#">1039608</a>	FITTING, TEE, BRAKE	1
12	<a href="#">1039524</a>	SHIELD, MASTER CYLINDER	1
13	<a href="#">1039724</a>	SCR-HXFL-M6X1.0X20 8.8 RIE	4
14	<a href="#">1039576</a>	CLIP, BRAKE LINE, INNER	2
15	<a href="#">1039629</a>	CLAMP, WIRE/TUBE .25 DIA	8
16	<a href="#">1014452</a>	SCR-HXFL-M6X1.0X35, W/PATCHLOK	4
17	<a href="#">1039655</a>	SCR-10-24X1.25TFM PN TRX TRI-Y	2
18	<a href="#">1039667</a>	SCR-10-24X1/2 PH/TX/TRIRD/SEMB	8
19	<a href="#">1039789</a>	NUT-HXFL-M6X1.0 8 ZB3 NYL	4
20	<a href="#">1039746</a>	SCR-HXFL-M8X1.25X60 8.8 ZOD	2
21	<a href="#">1039691</a>	BOLT-M10X1.25X50,HXFLG-OLIVE D	4
22	<a href="#">1039704</a>	SCR-HXFL-M10X1.25X25 8.8 Z NY	4
23	<a href="#">1014499</a>	NUT- M8X1.25, FLG, NYLOC-OLIVE D	2
24	<a href="#">1039807</a>	RIVET-POP 5/32(.251-.375)-ST-B	6
25	<a href="#">1039816</a>	CLIP-SILENCER BOX-C,98 INDY	8
26	<a href="#">1039577</a>	CLIP, BRAKE LINE, OUTER	2
27	<a href="#">1039800</a>	WSHR-.344X.750X.062-Y	2
28	<a href="#">1039582</a>	GUIDE,RZR,XP,REAR,LH	1



# BRAKES, BRAKE LINES AND MASTER CYLINDER

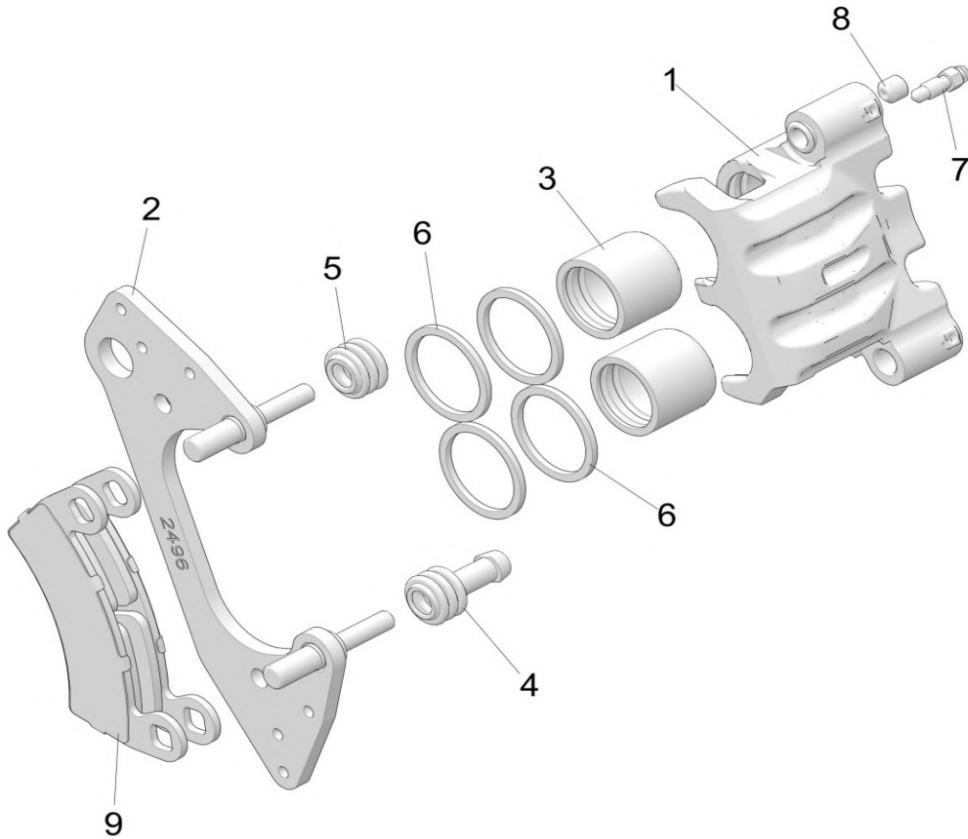
2022 RZR RZR XP 1000 PREMIUM (R02) - Z22NAK99AK/AR/BK/BR/NAV99AK/AR/BK/BR



POS	SAP	Part Name	Qty
29	<a href="#">1039583</a>	GUIDE,RZR,XP,REAR,RH	1
30	<a href="#">1039591</a>	SCRAPER,RZR,1K,FRONT,LH	1
31	<a href="#">1039592</a>	SCRAPER,RZR,1K,FRONT,RH	1
32	<a href="#">1039813</a>	CLIP-NYLON, C, FIR-TREE	1

## BRAKES, FRONT CALIPER

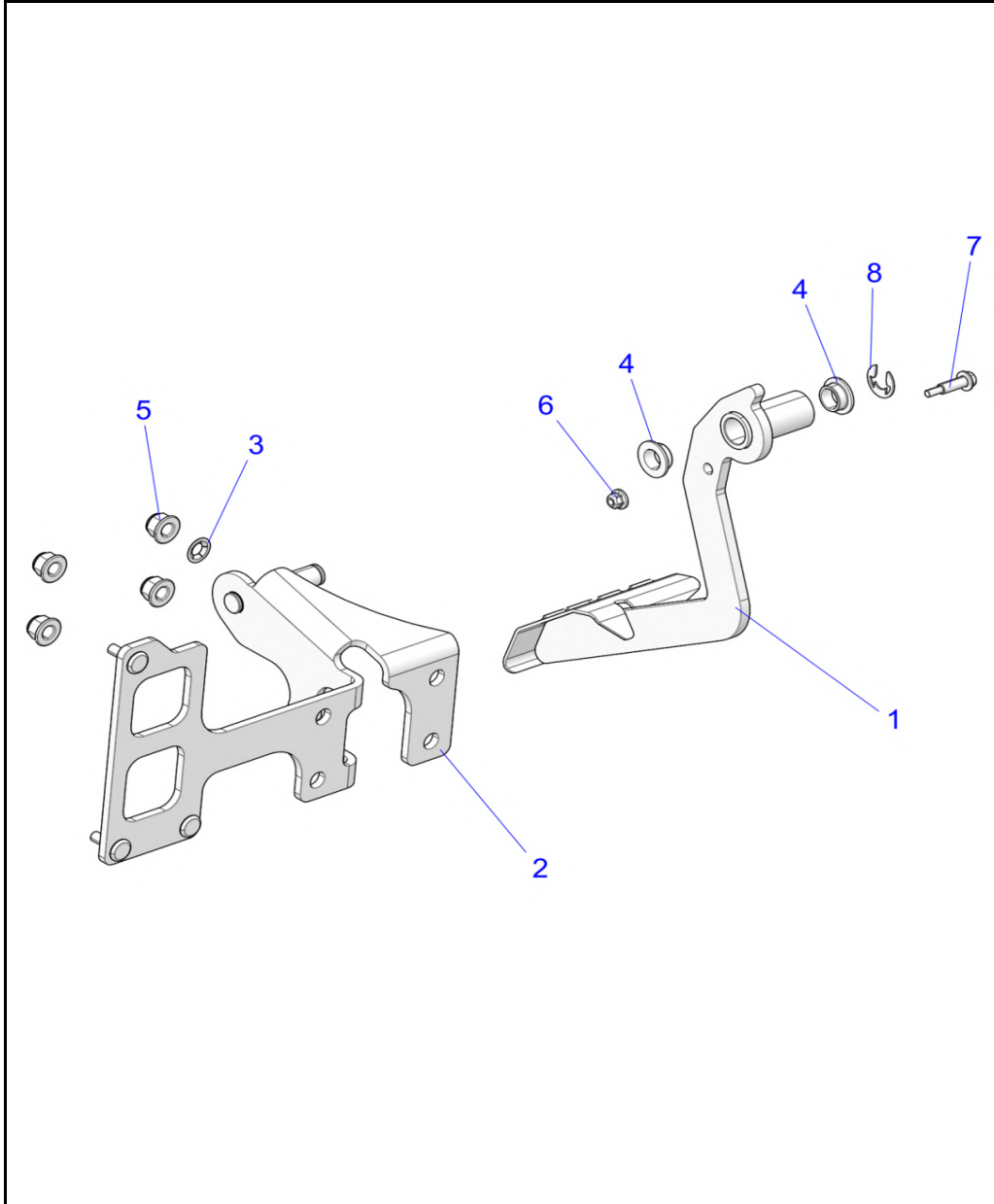
2022 RZR RZR XP 1000 PREMIUM (R02) - Z22NAK99AK/AR/BK/BR/NAV99AK/AR/BK/BR



POS	SAP	Part Name	Qty
1	<a href="#">1045119</a>	ASM., CALIPER, BRAKE, DOUBLE GROOVED, LH [INCL. ALL]	1
1	<a href="#">1045120</a>	ASM., CALIPER, BRAKE, FRONT, RH, DOUBLE [INCL. ALL]	1
2	<a href="#">1039374</a>	ASM., CALIPER, MOUNT, DOUBLE BORE	1
3	<a href="#">1011199</a>	PISTON-BRAKE,1.375,AL,GROOVED	2
4	<a href="#">1011787</a>	BOOT, PIN, BUSHING	1
5	<a href="#">1011788</a>	SHORT CALIPER BOOT	1
6	<a href="#">1011791</a>	SEAL-CALIPER,INNER,1.375"	4
6	<a href="#">1011791</a>	SEAL-CALIPER,INNER,1.375"	4
7	<a href="#">1014062</a>	SCR-M7X1.0,BLEEDER,OLIVE D	1
8	<a href="#">1014436</a>	SCR-M10X1.0X8,SOC SET-OD	1
9	<a href="#">1005164</a>	KIT-ASM,PAD,BRAKE,DB,1.375 [INCL. 2 PADS]	1
9	<a href="#">1045125</a>	K-ASM,HD,PAD,BRK,DB,1.375 (HEAVY DUTY) [OPTIONAL]	1

# BRAKES, PEDAL

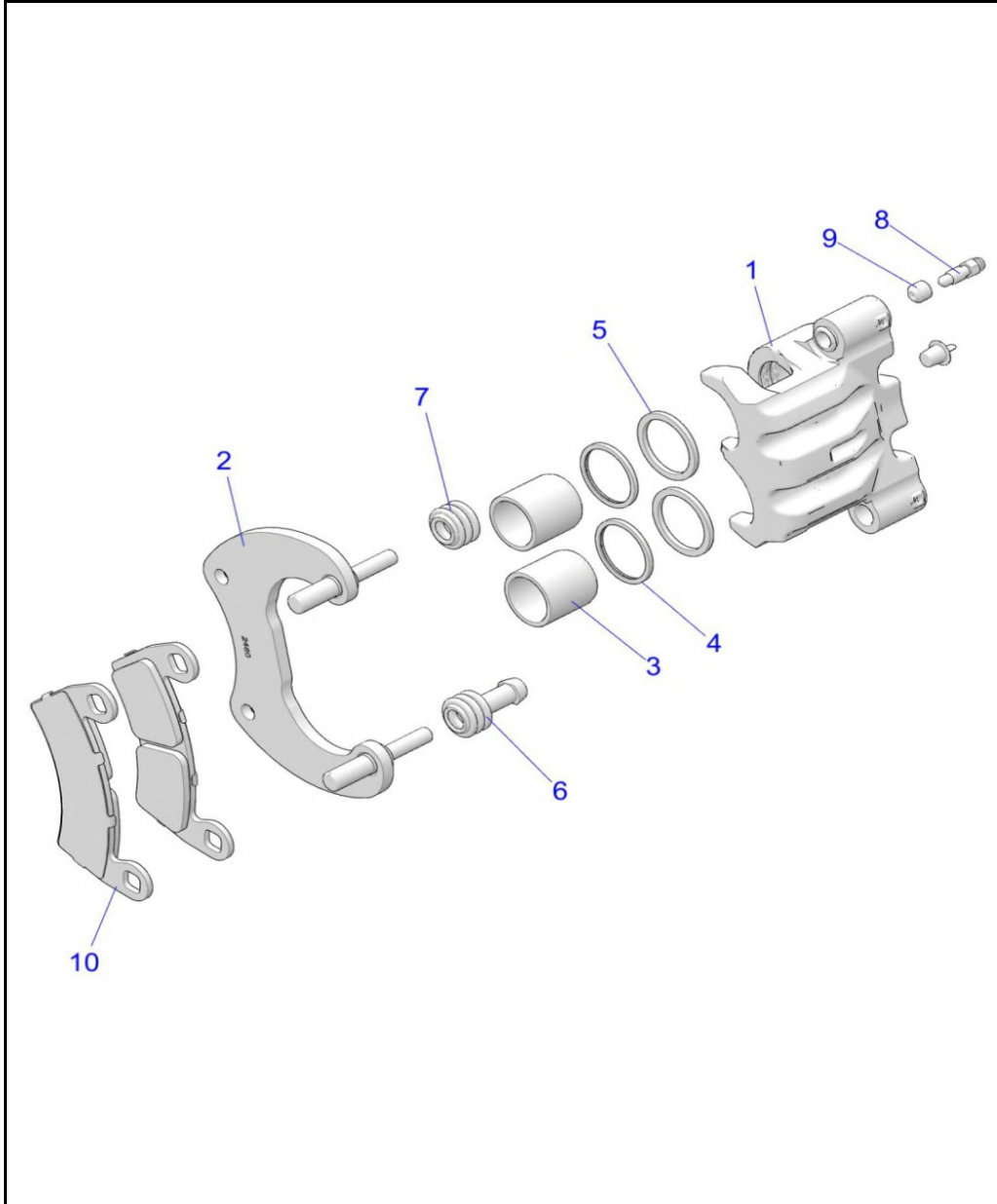
2022 RZR RZR XP 1000 PREMIUM (R02) - Z22NAK99AK/AR/BK/BR/NAV99AK/AR/BK/BR



POS	SAP	Part Name	Qty
1	<a href="#">1001526</a>	PEDAL, BRAKE, MATTE BLACK	1
2	<a href="#">1045122</a>	WELD-PEDAL MNT,BLK	1
3	<a href="#">1039776</a>	NUT-5/16-PAL-Y	1
4	<a href="#">1039567</a>	BUSHING, PEDAL, PIVOT	2
4	<a href="#">1039567</a>	BUSHING, PEDAL, PIVOT	2
5	<a href="#">1014499</a>	NUT- M8X1.25, FLG, NYLOC-OLIVE D	4
6	<a href="#">1045123</a>	NUT-M5X0.8 8.8 HX/FL NYLOC	1
7	<a href="#">1045124</a>	BOLT,M5X0.8X10,16.5 SHLD	1
8	<a href="#">1039821</a>	RING-RETAINING, "E",EXT., .500	1

## BRAKES, REAR CALIPER

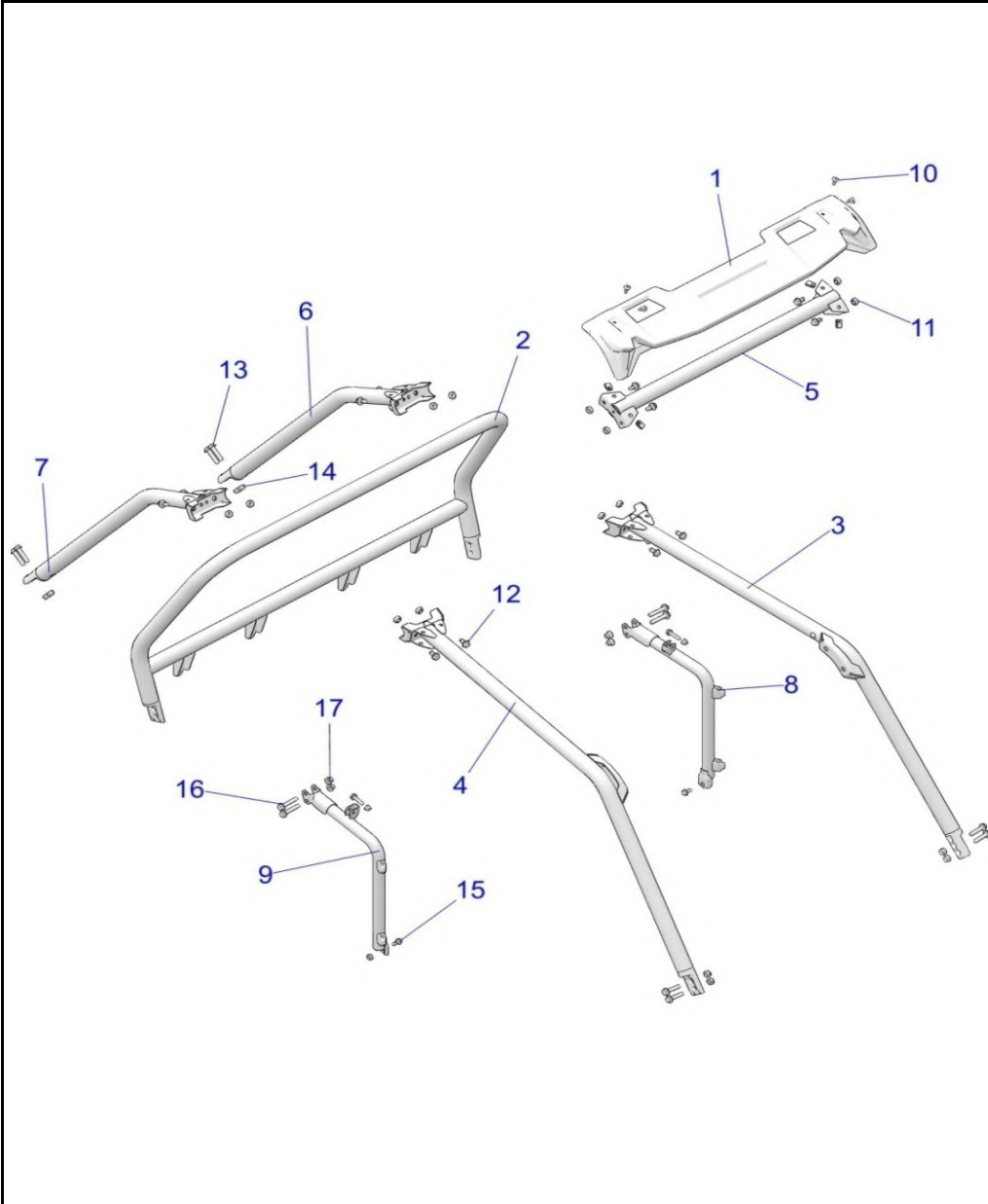
2022 RZR RZR XP 1000 PREMIUM (R02) - Z22NAK99AK/AR/BK/BR/NAV99AK/AR/BK/BR



POS	SAP	Part Name	Qty
1	<a href="#">1039243</a>	ASM., BRAKE CALIPER, LH, DOUBLE GROOVED [INCL. ALL]	1
1	<a href="#">1039370</a>	ASM., BRAKE CALIPER, RH, DOUBLE GROOVED [INCL. ALL]	1
2	<a href="#">1004294</a>	ASM., CALIPER, MOUNT, REAR, DOUBLE	1
3	<a href="#">1011205</a>	PISTON-BRAKE,1.188",AL,GROOVED	2
4	<a href="#">1011749</a>	Ring, Square, Molded (.094)	2
5	<a href="#">1011750</a>	SQUARE RING, MOLDED (.103 X .134)	2
6	<a href="#">1011787</a>	BOOT, PIN, BUSHING	1
7	<a href="#">1011788</a>	SHORT CALIPER BOOT	1
8	<a href="#">1014062</a>	SCR-M7X1.0,BLEEDER,OLIVE D	1
9	<a href="#">1014436</a>	SCR-M10X1.0X8,SOC SET-OD	1
10	<a href="#">1005164</a>	KIT-ASM,PAD,BRAKE,DB,1.375 [INCL. 2 PADS]	1
10	<a href="#">1045125</a>	K-ASM,HD,PAD,BRK,DB,1.375 (HEAVY DUTY) [OPTIONAL]	1

# CHASSIS, CAB FRAME

2022 RZR RZR XP 1000 PREMIUM (R02) - Z22NAK99AK/AR/BK/BR/NAV99AK/AR/BK/BR

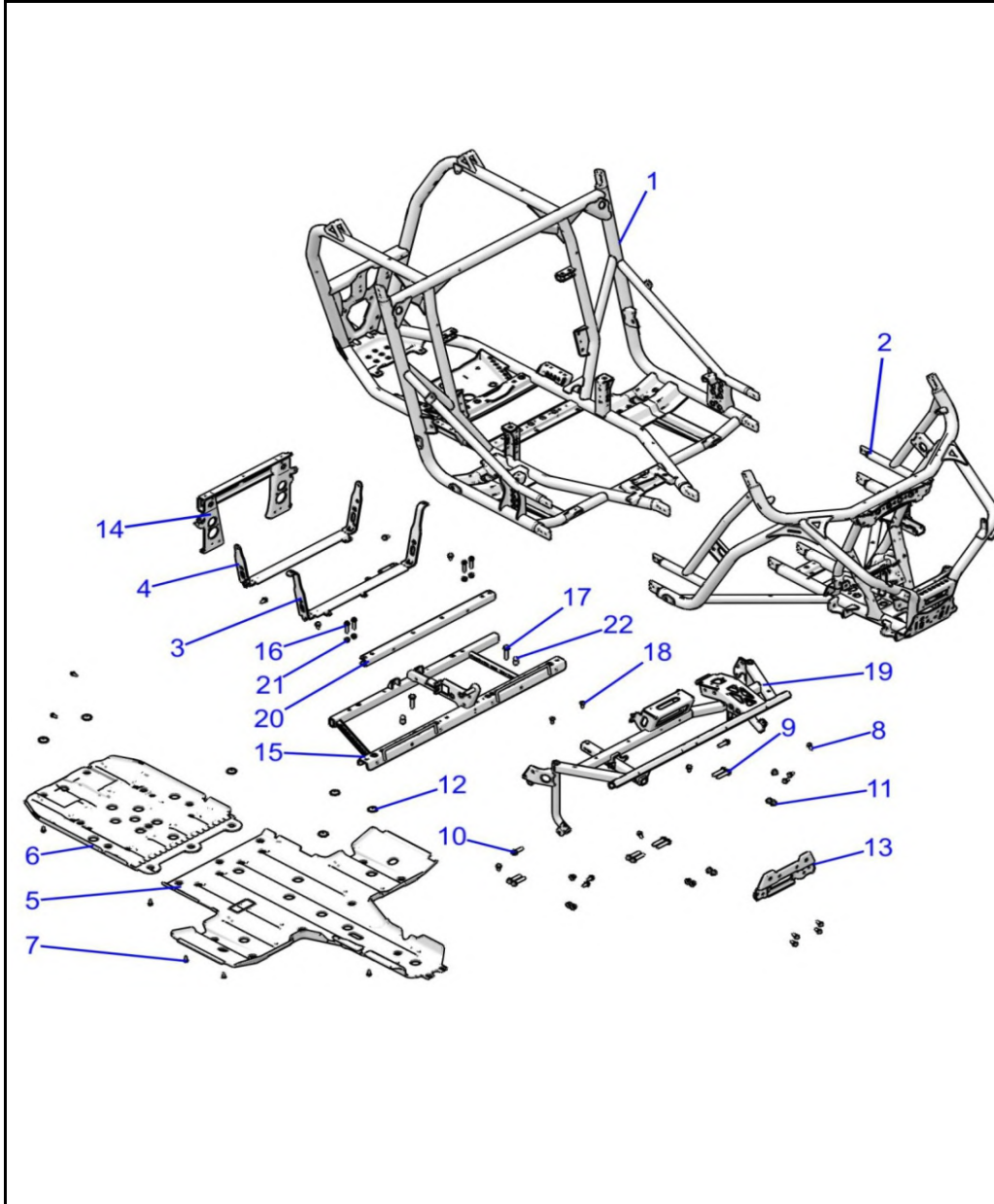


POS	SAP	Part Name	Qty
1	<a href="#">1011901</a>	PANEL, VISOR TRIM, BLACK	1
2	<a href="#">1042192</a>	HOOP, ROPS, MATTE BLACK	1
3	<a href="#">1001461</a>	ROPS, LH, MATTE BLACK	1
4	<a href="#">1001462</a>	ROPS, RH, MATTE BLACK	1
5	<a href="#">1001509</a>	ROPS, FRONT, CROSS, MATTE BLACK	1
6	<a href="#">1045126</a>	WELD-ROPS,REAR,NO RES,LH,M.BLK	1
7	<a href="#">1045127</a>	WELD-ROPS,REAR,NO RES,RH,M.BLK	1
8	<a href="#">1001527</a>	BOLSTER, LH, MATTE BLACK	1
9	<a href="#">1001528</a>	BOLSTER, RH, MATTE BLACK	1
10	<a href="#">1014459</a>	SCR-TXTH-M6X1.0X25 ZFB	4
11	<a href="#">1014509</a>	NUT-M6-1.0, U-TYPE (2.5-3.8)	4
12	<a href="#">1039759</a>	SCR-HXFL-M10X1.5X20 10.9 RIE P	12
13	<a href="#">1014470</a>	SCR-HXFL-M10X1.5X45 10.9 RIE	8
14	<a href="#">1039793</a>	NUT-HEX-M10X1.5 10 ZB3 NYL	8
15	<a href="#">1039670</a>	BOLT-M8X1.25X20,HXHDFLG,W/PTCH	2
16	<a href="#">1014464</a>	SCR-HXFL-M8X1.25X35 8.8 ZPB	2
16	<a href="#">1014471</a>	SCR-HXFL-M10X1.25X55 10.9 RIE	4
17	<a href="#">1014500</a>	NUT-M10X1.25, FLG, NYLOC-OLIVE D	4
17	<a href="#">1039790</a>	NUT-M8X1.25,FLG,NYLOC-OLIVE D	2



# CHASSIS, MAIN FRAME AND SKID PLATES

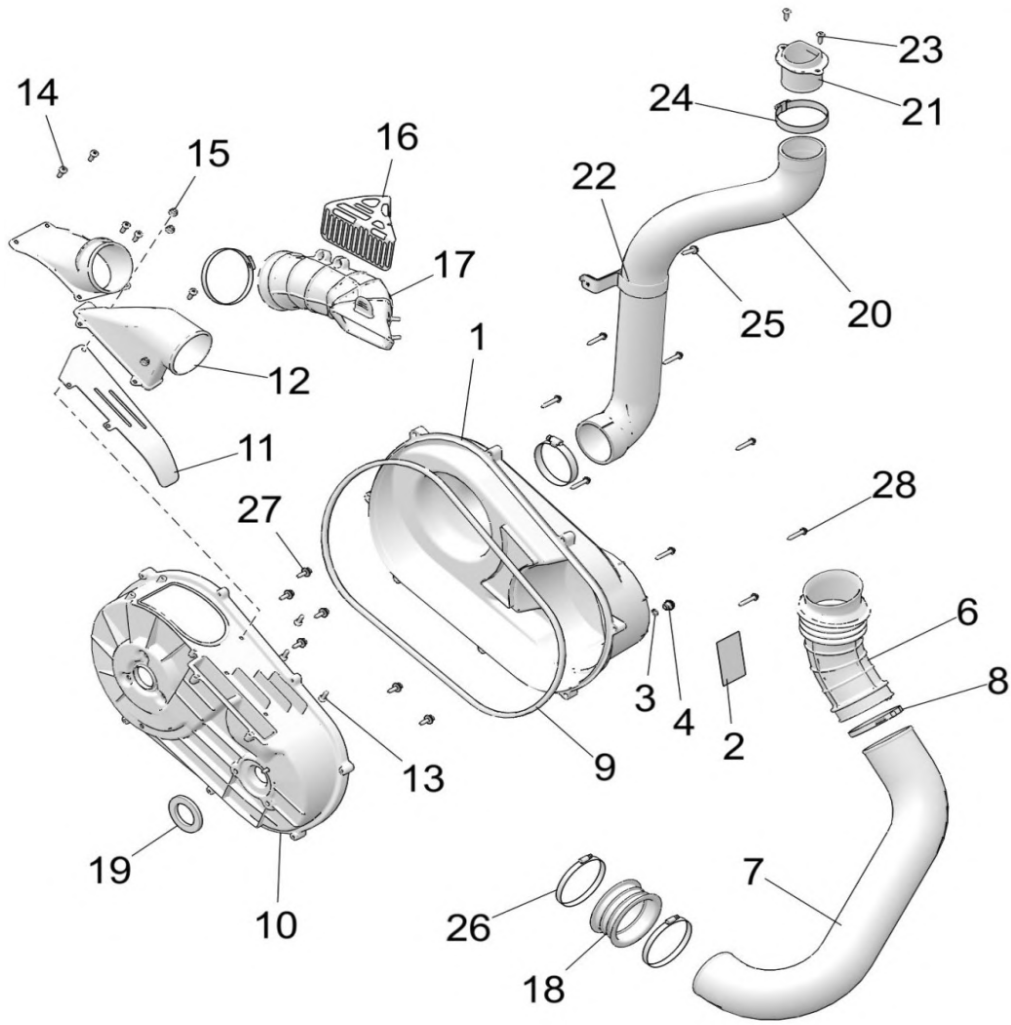
2022 RZR RZR XP 1000 PREMIUM (R02) - Z22NAK99AK/AR/BK/BR/NAV99AK/AR/BK/BR



POS	SAP	Part Name	Qty
1	<a href="#">1045128</a>	WELD-MAIN FRAME,BLK	1
2	<a href="#">1045129</a>	WELD-MAINFRAME,FRT,SWAY,BLK	1
3	<a href="#">1039891</a>	BRACKET, BOX STRAP, BLACK	1
4	<a href="#">1045130</a>	BRKT-BOX SUPPORT REAR,ECOAT	1
5	<a href="#">1045131</a>	PLATE-SKID,BLK	1
6	<a href="#">1045132</a>	PLATE-SKID,REAR,BLK	1
7	<a href="#">1039683</a>	SCR-M6X1.0X20, HXHD, FLG, TDFM, BK	AR
8	<a href="#">1039688</a>	SCR-TFHFL-M8X1.25X20 CHS ZOD	AR
9	<a href="#">1014453</a>	SCR-HXFL-M10X1.25X55 10.9 ZOD	8
10	<a href="#">1039751</a>	SCR-HXFL-M10X1.25X40 8.8 ZOD	2
11	<a href="#">1014500</a>	NUT-M10X1.25, FLG, NYLOC-OLIVE D	10
12	<a href="#">1039802</a>	WASHER, PLATE, SKID	13
13	<a href="#">1029999</a>	BRACKET, SUSPENSION, MOUNT, FRONT, MATTE BLACK	1
14	<a href="#">1039824</a>	SUPPORT, REAR, MATTE BLACK	1
15	<a href="#">1040253</a>	WELD-SEAT BASE,BLK	1
16	<a href="#">1039659</a>	SCR-SH-M8X1.25X30 8.8 ZPC	4
17	<a href="#">1039673</a>	SCR-HXFL-M10X1.5X55 8.8 ZY3	2
18	<a href="#">1014459</a>	SCR-TXTH-M6X1.0X25 ZFB	2
19	<a href="#">1045133</a>	WELD-DASH,TURBO,S,ECOAT	1
20	<a href="#">1039889</a>	BRKT-CLOSE OFF SUPPORT,BLK	1
21	<a href="#">1014499</a>	NUT- M8X1.25, FLG, NYLOC-OLIVE D	4
22	<a href="#">1045134</a>	LATCH, PLUNGER, SEAT	2

# DRIVE TRAIN, CLUTCH COVER AND DUCTING

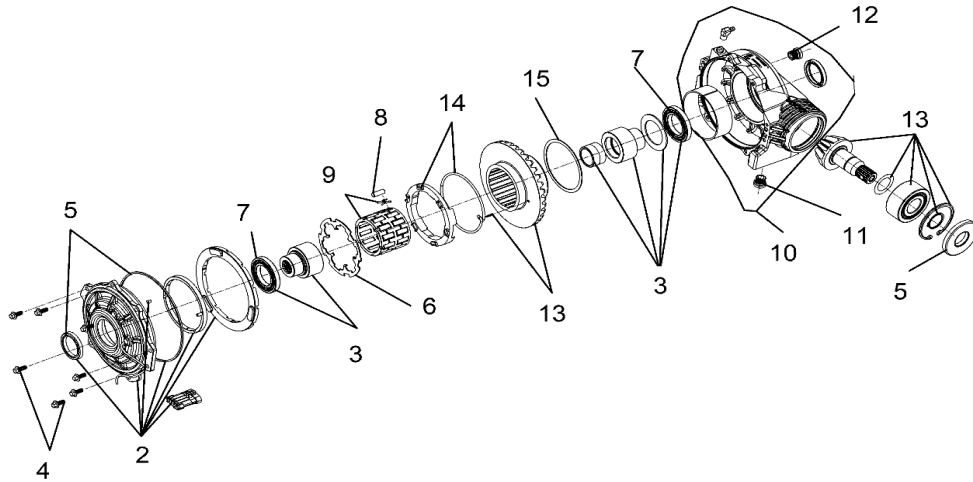
2022 RZR RZR XP 1000 PREMIUM (R02) - Z22NAK99AK/AR/BK/BR/NAV99AK/AR/BK/BR



POS	SAP	Part Name	Qty
-	<a href="#">1039351</a>	ASM., INTAKE, CLUTCH DUCT [INCL. 6-8]	1
1	<a href="#">1045135</a>	K-RZR XP/XP4 HIGHFLOW CLUTCH IN [INCL. 2-4]	1
2	<a href="#">1039641</a>	DECAL-BELT,WARNING/CHECK	1
3	<a href="#">1039532</a>	O-RING, MOLDED Substituted by 5411432	1
4	<a href="#">1011827</a>	PLUG, DRAIN, CLUTCH COVER	1
6	<a href="#">1045136</a>	HOSE, CLUTCH, AIR IN	1
7	<a href="#">1045137</a>	DUCT, INTAKE, CLUTCH AIR	1
8	<a href="#">1045138</a>	CLAMP-HOSE,OETIKER,94.8-98	1
9	<a href="#">1012150</a>	SEAL, COVER, CLUTCH, OUTER [TO 10/1/2021]	1
9	<a href="#">1045139</a>	SEAL, COVER, CLUTCH, OUTER [FROM 10/1/2021]	1
10	<a href="#">1034317</a>	ASM., COVER, CLUTCH, INNER [INCL. 11-16]	1
11	<a href="#">1039513</a>	BRACKET, GUARD, CLUTCH COVER	1
12	<a href="#">1039563</a>	DUCT, CLUTCH, AIR INLET	1
13	<a href="#">1045140</a>	DUCT, CLUTCH, AIR OUTLET	1
14	<a href="#">1039685</a>	SCR-M6X1.0X20MM,TX,PH,8.8-B	3
15	<a href="#">1039734</a>	SCR-#14X3/4 HI/LO-PH-PN TRX-M	5
16	<a href="#">1039789</a>	NUT-HXFL-M6X1.0 8 ZB3 NYL	3
17	<a href="#">1039514</a>	BRACKET, SCREEN, BELT	1
18	<a href="#">1039548</a>	HOSE, CLUTCH, AIR OUTLET	1
19	<a href="#">1039595</a>	BOOT, INTAKE, CLUTCH	1
20	<a href="#">1034416</a>	SEAL, COVER, PTO	1
21	<a href="#">1039559</a>	HOSE, CLUTCH, INTAKE, SP	1
22	<a href="#">1039578</a>	BOOT, PLASTIC, INTAKE	1
23	<a href="#">1039639</a>	CLAMP-P, LARGE	1
24	<a href="#">1045772</a>	SCR-TX TRUSS-#14X3/4, HI/LO ZBK	2
25	<a href="#">1039623</a>	CLAMP,HOSE,3.75,SS	2
26	<a href="#">1044268</a>	SCR-TFHFL-M6X1.0X25,ZOD	1
27	<a href="#">1039634</a>	CLAMP-WORM DRIVE,3.69 DIA	3
28	<a href="#">1014451</a>	SCR-TFHFL-M6X1.0X20 S/R ZOD	7

# DRIVE TRAIN, FRONT GEARCASE

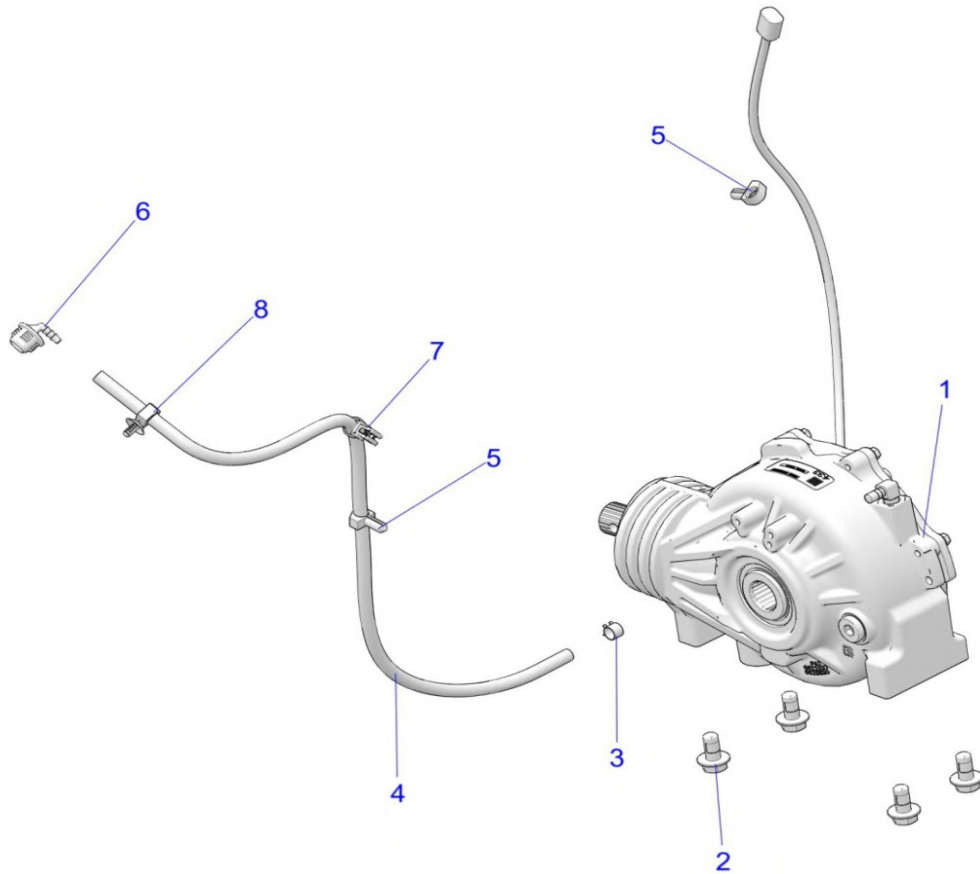
2022 RZR RZR XP 1000 PREMIUM (R02) - Z22NAK99AK/AR/BK/BR/NAV99AK/AR/BK/BR



POS	SAP	Part Name	Qty
1	<a href="#">1045141</a>	ASM-GEARCASE,FRONT [INCL. ALL]	1
2	<a href="#">1045142</a>	ASM-COVER OUTPUT	1
3	<a href="#">1045144</a>	ASM., OUTPUT HUB	1
3	<a href="#">1045144</a>	ASM., OUTPUT HUB	1
4	<a href="#">1039461</a>	KIT, COVER FASTENERS [INCL. 7 FASTENERS]	1
5	<a href="#">1033156</a>	COMPLETE SEAL REPAIR	1
5	<a href="#">1033156</a>	COMPLETE SEAL REPAIR	1
6	<a href="#">1039476</a>	PLATE, ARMATURE, 4WD	1
7	<a href="#">1039481</a>	Bearing, Pinion	1
7	<a href="#">1039481</a>	Bearing, Pinion	1
8	<a href="#">1039462</a>	KIT, CLUTCH, ROLLERS [INCL. FULL ROLLER SET OF 24]	1
9	<a href="#">1039463</a>	ASM., ROLLER CAGE [INCL. ROLL CAGE AND 24 H-CLIPS]	1
10	<a href="#">1045145</a>	ASM-GEARCASE	1
11	<a href="#">1005147</a>	KIT, PLUG, DRAIN	1
12	<a href="#">1005148</a>	KIT, PLUG, FILL	1
13	<a href="#">1045147</a>	ASM-GEAR HOUSING & PINION	1
13	<a href="#">1045147</a>	ASM-GEAR HOUSING & PINION	1
14	<a href="#">1039464</a>	Kit, Torsion Spring & Retainer	1
15	<a href="#">3234437</a>	Spacer, Ring, Gear	1

## DRIVE TRAIN, FRONT GEARCASE MOUNTING

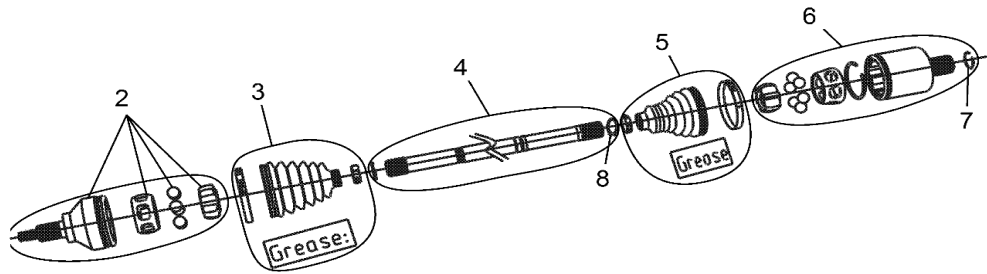
2022 RZR RZR XP 1000 PREMIUM (R02) - Z22NAK99AK/AR/BK/BR/NAV99AK/AR/BK/BR



POS	SAP	Part Name	Qty
1	1040163	ASM., GEARCASE, FRONT	1
2	1039672	SCR-HXFL-M10X1.5X20 8.8 Z NYL	4
3	1039613	Clamp, Hose, Large, Green	1
4	1045148	LINE-BOOST,3/16 ID,85 CM	1
5	1039816	CLIP-SILENCER BOX-C,98 INDY	2
5	1039816	CLIP-SILENCER BOX-C,98 INDY	2
6	1039581	FITTING-VENT LINE,90	1
6	1045149	FITTING-VENT LINE,90	1
7	1040381	CLIP, EDGE, HARNESS ??	1
8	1039817	CLIP, ROUTING, .472 B.D., HINGED ??	1

# DRIVE TRAIN, FRONT HALF SHAFT

2022 RZR RZR XP 1000 PREMIUM (R02) - Z22NAK99AK/AR/BK/BR/NAV99AK/AR/BK/BR

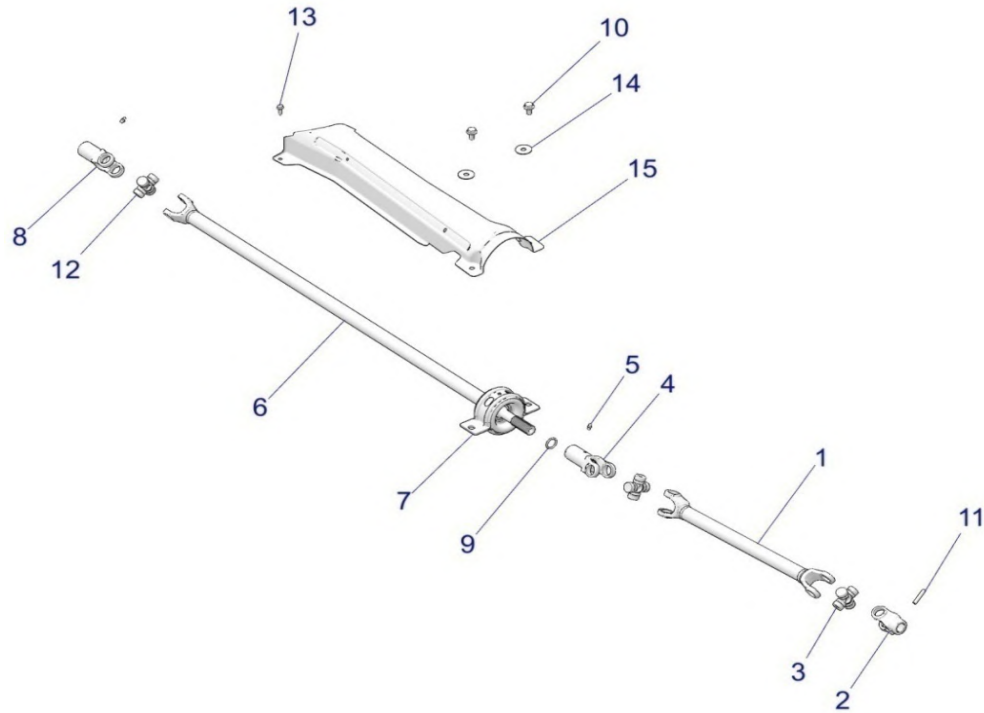


POS	SAP	Part Name	Qty
1	<a href="#">1045150</a>	ASM-HALFSHAFT,FRONT,8.8 [INCL. ALL]	1
2	<a href="#">1045151</a>	ASM-OUTER JOINT	1
3	<a href="#">1045152</a>	K - BOOT, OUTER	1
4	<a href="#">1045153</a>	BAR	1
5	<a href="#">1045154</a>	KIT-BOOT,PLUNGING JNT(PR-8062)	1
6	<a href="#">1005166</a>	ASM-INNER JOINT	1
7	<a href="#">1045155</a>	CIRCLIP-1.8X22.2(PR-3011)	1
8	<a href="#">1040340</a>	CIRCLIP(PR-3041)	1



## DRIVE TRAIN, FRONT PROP SHAFT

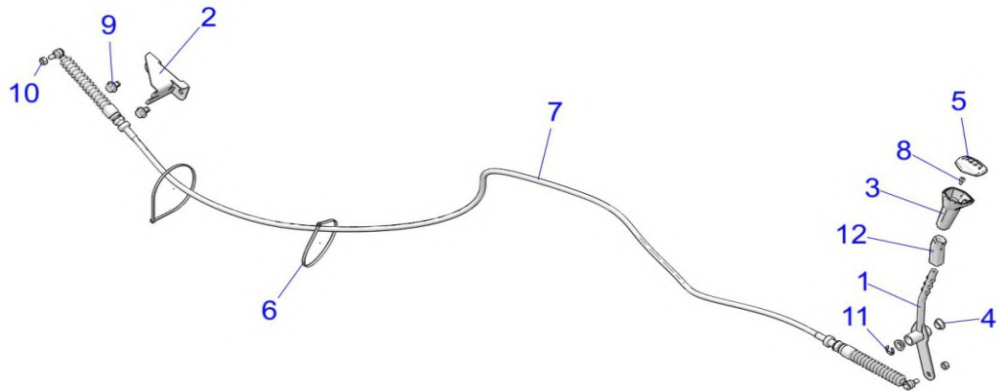
2022 RZR RZR XP 1000 PREMIUM (R02) - Z22NAK99AK/AR/BK/BR/NAV99AK/AR/BK/BR



POS	SAP	Part Name	Qty
1	<a href="#">1045156</a>	ASM-PROPSHAFT,FRONT [INCL. 2-5]	1
2	<a href="#">1045157</a>	YOKE-REAR PROP SHAFT	1
3	<a href="#">1045158</a>	KIT-CROSS & BEARING,NONGREASE	1
4	<a href="#">1045159</a>	YOKE-PSHAFT SLIP	1
5	<a href="#">1039615</a>	FITTING-LUBRICATION 1/4-28	2
6	<a href="#">1002887</a>	ASM., PROPSHAFT, REAR [INCL. 7, 1 QTY OF 12, 1 QTY OF 5,8]	1
7	<a href="#">1033795</a>	ASM., BEARING, FLEX	1
8	<a href="#">1040301</a>	YOKE, SLIP	1
9	<a href="#">1039533</a>	O RING-.875ID X .125 DIA	1
10	<a href="#">1039672</a>	SCR-HXFL-M10X1.5X20 8.8 Z NYL	2
11	<a href="#">1039810</a>	PIN-SPRING,5/16 X 1 5/8-Y	1
12	<a href="#">1007461</a>	U-JOINT, 1000 SERIES	1
13	<a href="#">1039683</a>	SCR-M6X1.0X20, HXHD, FLG, TDFM, BK	1
14	<a href="#">1014516</a>	WASHER-.438X1.375X.083, FL-B	2
15	<a href="#">1045160</a>	BRKT-TANK SUPPORT,INNER,ECOAT	1

# DRIVE TRAIN, GEAR SELECTOR

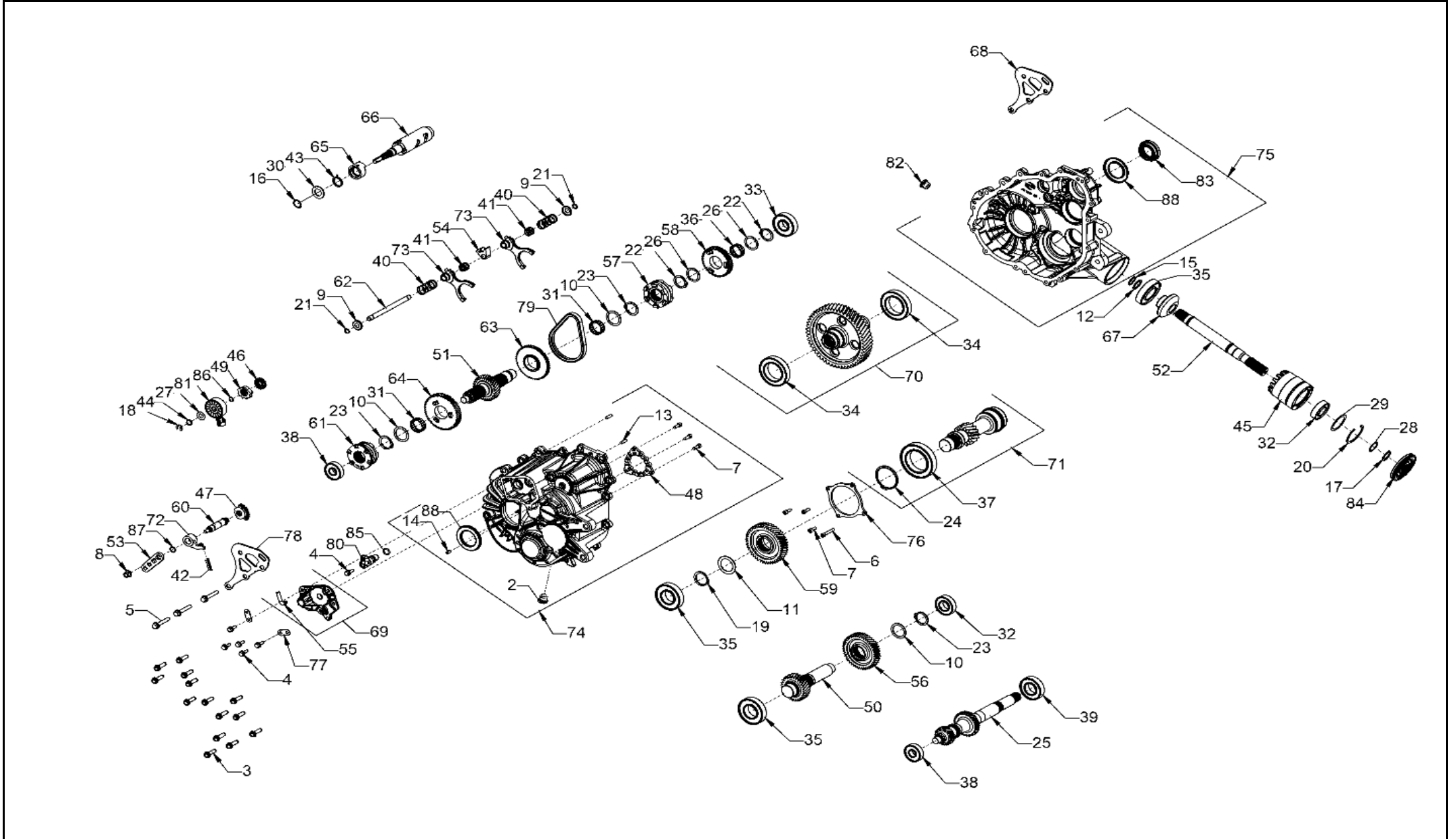
2022 RZR RZR XP 1000 PREMIUM (R02) - Z22NAK99AK/AR/BK/BR/NAV99AK/AR/BK/BR



POS	SAP	Part Name	Qty
1	<a href="#">1039364</a>	WELD-SHIFT LEVER	1
2	<a href="#">1039518</a>	BRACKET, CABLE, SHIFT	1
3	<a href="#">1011805</a>	KNOB, GEAR SELECTOR, SHIFT	1
4	<a href="#">1039567</a>	BUSHING, PEDAL, PIVOT	2
5	<a href="#">1011892</a>	COVER, SHIFT	1
6	<a href="#">1014060</a>	CABLE-TIE,10-102MM,WEATH.-RES.	1
7	<a href="#">1045161</a>	CABLE, SHIFT	1
8	<a href="#">1039654</a>	SCR-#10-24X1/2PH/TORX-TRIRD-Y	1
9	<a href="#">1039756</a>	SCR-HXFL-M10X1.25X16 8.8 ZOD N	2
10	<a href="#">1039779</a>	NUT,NYLOCK M8X1.25(10)	2
11	<a href="#">1039821</a>	RING-RETAINING, "E",EXT., .500	1
12	<a href="#">1039580</a>	SPACER, BOOT	1

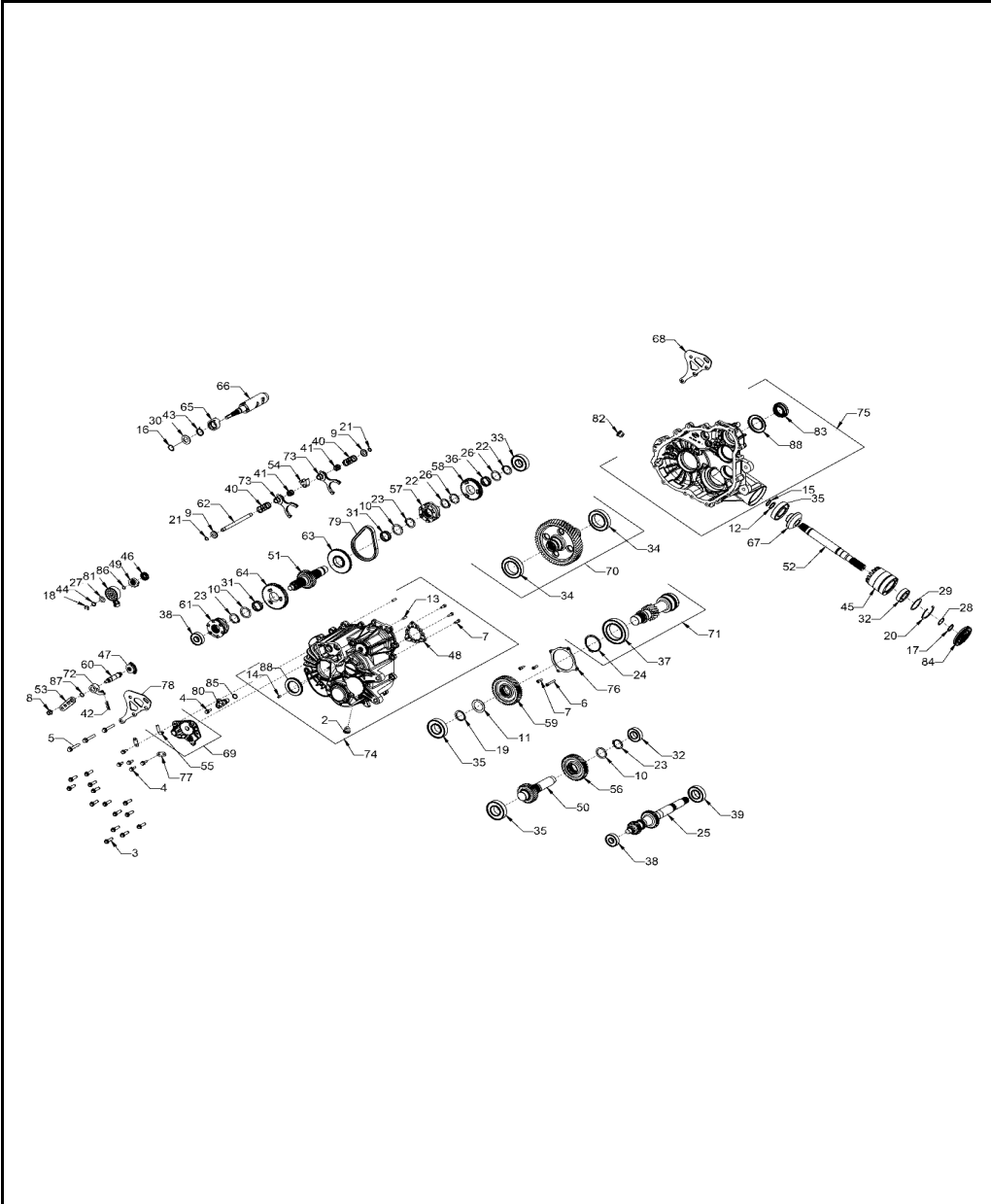
# DRIVE TRAIN, MAIN GEARCASE INTERNALS

2022 RZR RZR XP 1000 PREMIUM (R02) - Z22NAK99AK/AR/BK/BR/NAV99AK/AR/BK/BR



# DRIVE TRAIN, MAIN GEARCASE INTERNALS

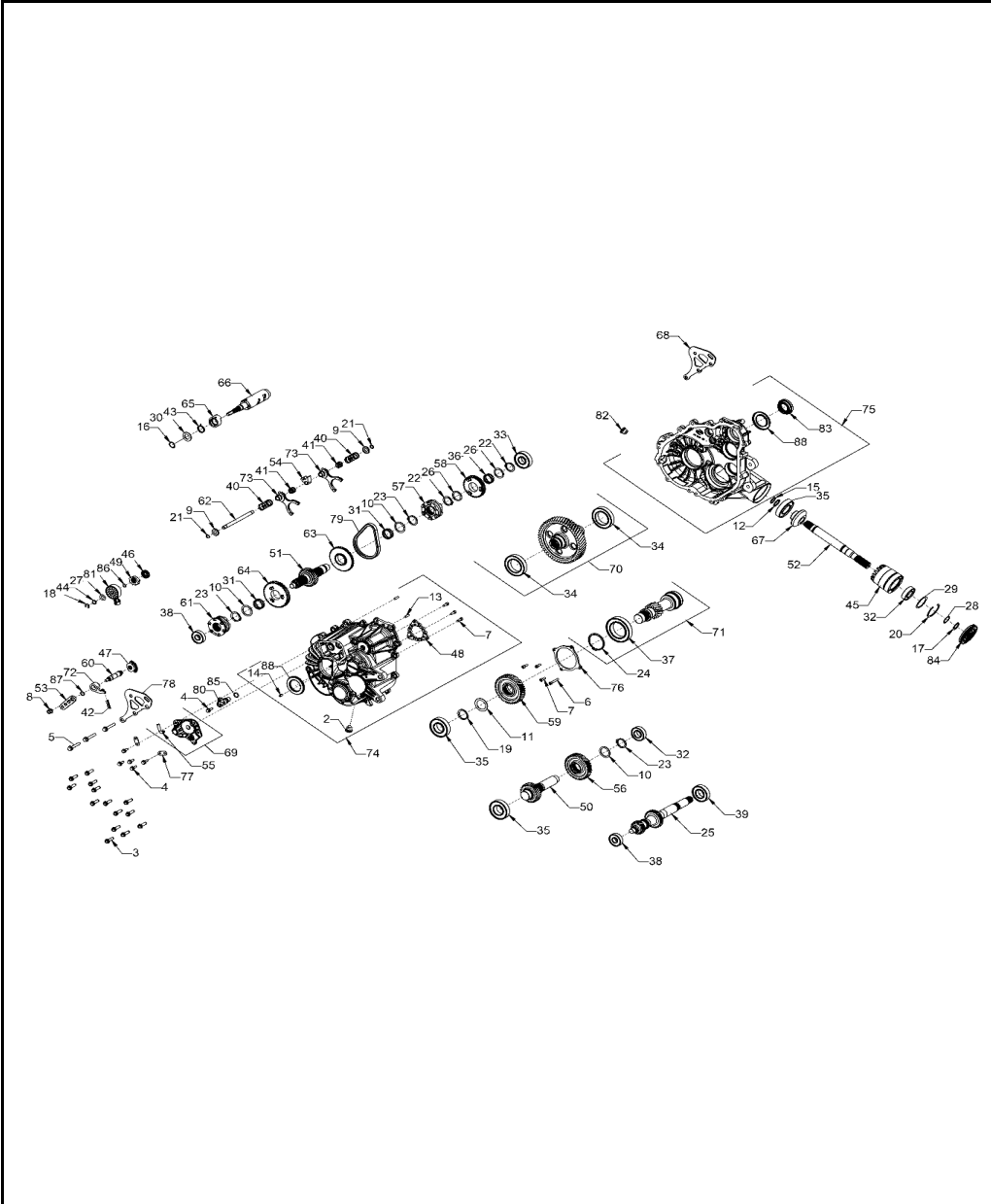
2022 RZR RZR XP 1000 PREMIUM (R02) - Z22NAK99AK/AR/BK/BR/NAV99AK/AR/BK/BR



POS	SAP	Part Name	Qty
1	<a href="#">1045162</a>	ASM-GEARCASE,COMPLETE [INCL. ALL]	1
2	<a href="#">1007449</a>	PLUG, SOCKET HEAD W/MAGNET	1
3	<a href="#">1039441</a>	SCREW, HEX FLANGE HEAD, M8 X 1.25 X 30	14
4	<a href="#">1039443</a>	SCREW, HEX FLANGE HEAD, M6 X 1 X 20	6
4	<a href="#">1039443</a>	SCREW, HEX FLANGE HEAD, M6 X 1 X 20	6
5	<a href="#">1039444</a>	SCREW, HEX FLANGE M8 X 50	3
6	<a href="#">1039445</a>	SCREW, SOCKET HEAD, CAP, M6 X 1.0 X 40	1
7	<a href="#">1039458</a>	SCREW, SOCKET HEAD, CAP, M6 X 1.0 X 18	3
7	<a href="#">1039458</a>	SCREW, SOCKET HEAD, CAP, M6 X 1.0 X 18	3
8	<a href="#">1039446</a>	NUT, LOCK HEX FLANGE, NYLON M8 X 1.25	1
9	<a href="#">1039308</a>	WASHER, CUP	2
9	<a href="#">1039308</a>	WASHER, CUP	2
10	<a href="#">1039447</a>	WASHER-32.3X42X1.5(115288)	3
10	<a href="#">1039447</a>	WASHER-32.3X42X1.5(115288)	3
11	<a href="#">1007454</a>	WASHER-35.6X57X1.5(115289)	1
12	<a href="#">1045163</a>	WASHER, 22.5 X 30 X 1.5	1
13	<a href="#">1039438</a>	PIN, DOWEL, 6 X 20	2
14	<a href="#">1039604</a>	PIN, SPRING, SLOTTED 6 X 12	1
15	<a href="#">1045164</a>	RING, RETAINING BASIC EXTERNAL	1
16	<a href="#">1039310</a>	RING, RETAINING BASIC, EXTERNAL 0.75	1
17	<a href="#">1039421</a>	RING, RETAINING BASIC, EXTERNAL 0.984	1
18	<a href="#">1039426</a>	RING, RETAINING BASIC EXTERNAL	1
19	<a href="#">1007433</a>	RING, RETAINING, SHAFT, DIA. 1.375	1
20	<a href="#">1039432</a>	RING, RETAINING BASIC, INTERNAL 2.047	1
21	<a href="#">1039428</a>	RING, RETAINING BASIC, EXTERNAL 0.428	2
21	<a href="#">1039428</a>	RING, RETAINING BASIC, EXTERNAL 0.428	2
22	<a href="#">1039430</a>	RING, RETAINING,	2
22	<a href="#">1039430</a>	RING, RETAINING,	2
23	<a href="#">1039451</a>	RING, RETAINING BASIC, EXTERNAL MSR-32	3

## DRIVE TRAIN, MAIN GEARCASE INTERNALS

2022 RZR RZR XP 1000 PREMIUM (R02) - Z22NAK99AK/AR/BK/BR/NAV99AK/AR/BK/BR

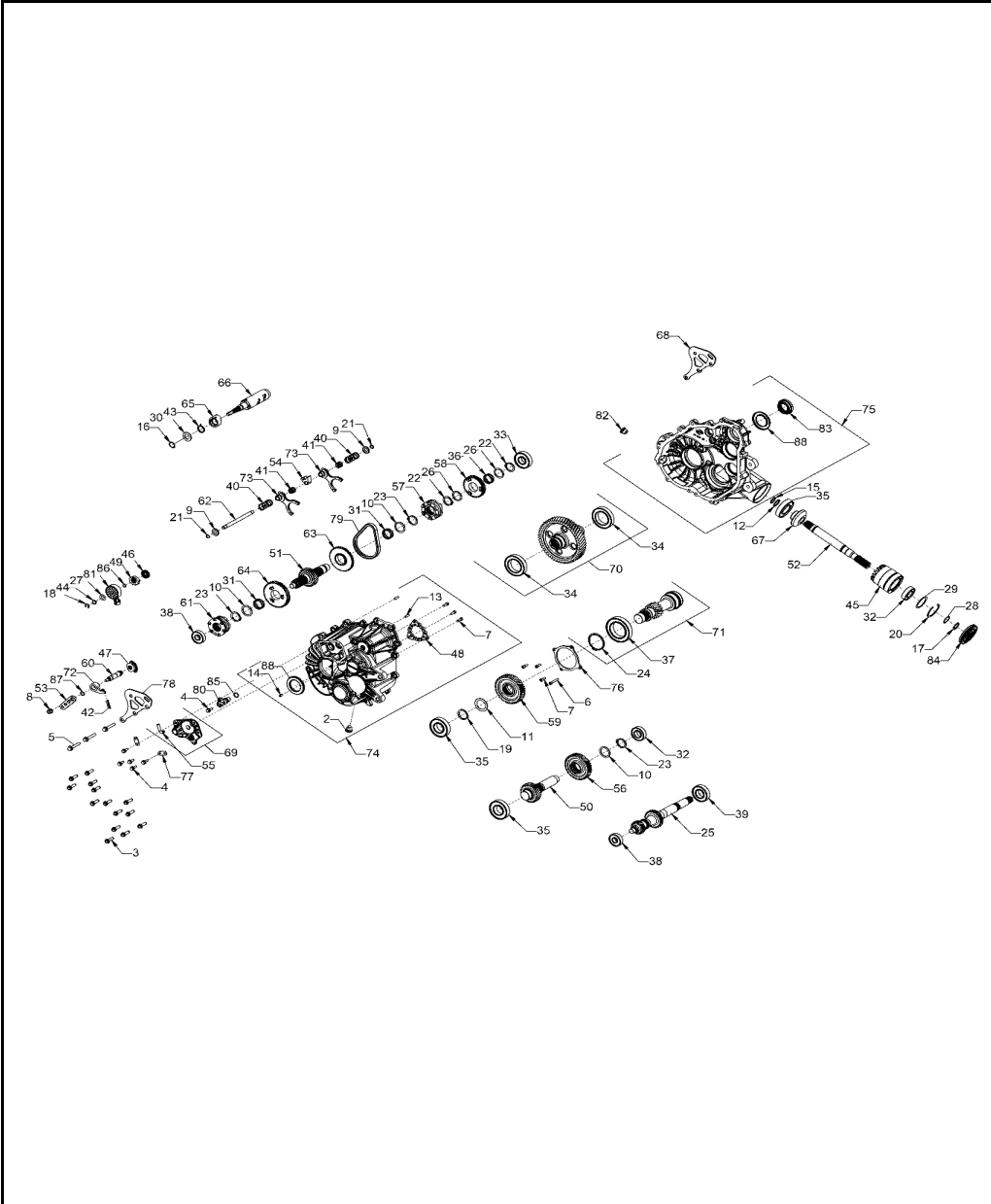


POS	SAP	Part Name	Qty
23	<a href="#">1039451</a>	RING, RETAINING BASIC, EXTERNAL MSR-32	3
23	<a href="#">1039451</a>	RING, RETAINING BASIC, EXTERNAL MSR-32	3
24	<a href="#">1039311</a>	RING-RETAIN,VSH-237(130298)	1
25	<a href="#">1040308</a>	SHAFT, BOSS, LOWER, INPUT	1
26	<a href="#">1039423</a>	WASHER, THRUST, 1.187 X 1.500 X .0600	2
26	<a href="#">1039423</a>	WASHER, THRUST, 1.187 X 1.500 X .0600	2
27	<a href="#">1039440</a>	WASHER, THRUST, 0.446 X 0.88 X 0.025	1
28	<a href="#">1039433</a>	SHIM, 1.180 OD X 0.995 ID	1
29	<a href="#">1039434</a>	SHIM, 2.040 OD X 1.63 ID	1
30	<a href="#">1039312</a>	SPACER, 19.4 X 34.0 X 2.0	1
31	<a href="#">1039419</a>	BEARING, NEEDLE, CAGE ASSY	2
31	<a href="#">1039419</a>	BEARING, NEEDLE, CAGE ASSY	2
32	<a href="#">1007432</a>	BEARING, BALL 6205 C3 25 X 52 X 15	2
32	<a href="#">1007432</a>	BEARING, BALL 6205 C3 25 X 52 X 15	2
33	<a href="#">1039313</a>	BEARING, BALL, 6305 C3, 25 X 62 X 17	1
34	<a href="#">1039314</a>	BEARING, BALL 6010 C3 50 X 80 X 10	2
34	<a href="#">1039314</a>	BEARING, BALL 6010 C3 50 X 80 X 10	2
35	<a href="#">1007437</a>	BEARING, BALL 6207 C3 35MMX72MMX17MM	3
35	<a href="#">1007437</a>	BEARING, BALL 6207 C3 35MMX72MMX17MM	3
35	<a href="#">1007437</a>	BEARING, BALL 6207 C3 35MMX72MMX17MM	3
36	<a href="#">1039424</a>	BEARING-NEEDLE,30X35X13-CAGED	1
37	<a href="#">1039309</a>	BEARING, BALL, 6012 C3 60 X 95 X 18	1
38	<a href="#">1007445</a>	BEARING, BALL 6303, 17 X 47 X 14	2
39	<a href="#">1007460</a>	BEARING, BALL 6206RSH2 STD 30 X 62 X 16	1
40	<a href="#">1039291</a>	SPRING, COMPRESSION, .92 O.D. X 2.000	2
40	<a href="#">1039291</a>	SPRING, COMPRESSION, .92 O.D. X 2.000	2
41	<a href="#">1039292</a>	SPRING, COMPRESSION, 0.46 I.D. X 0.73	2
41	<a href="#">1039292</a>	SPRING, COMPRESSION, 0.46 I.D. X 0.73	2
42	<a href="#">1007444</a>	SPRING, COMPRESSION 0.36 O.D. X 1.125	1



## DRIVE TRAIN, MAIN GEARCASE INTERNALS

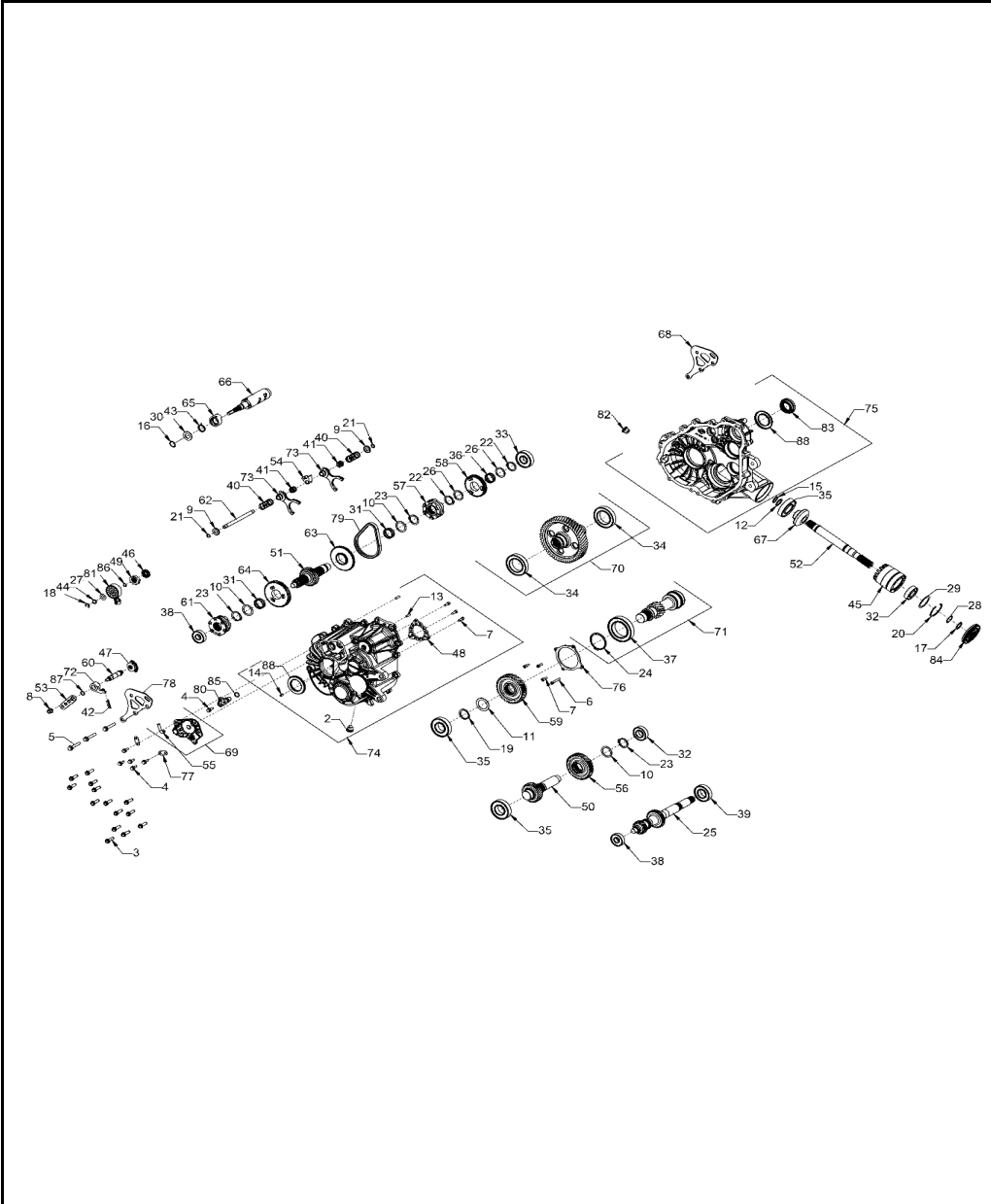
2022 RZR RZR XP 1000 PREMIUM (R02) - Z22NAK99AK/AR/BK/BR/NAV99AK/AR/BK/BR



POS	SAP	Part Name	Qty
43	<a href="#">1039293</a>	SPRING, TORSION	1
44	<a href="#">1039456</a>	WASHER-SPRING,210393	1
45	<a href="#">1039435</a>	TUBE, SNORKEL MACHINED	1
46	<a href="#">1039294</a>	GEAR, SECTOR, 16T	1
47	<a href="#">1039295</a>	SWITCH, ROTARY, 6 PIN	1
48	<a href="#">1039296</a>	PLATE, PARK, 12 FACE	1
49	<a href="#">1039297</a>	STAR, DETENT,	1
50	<a href="#">1007455</a>	SHAFT-IDLER,29T(285803)	1
51	<a href="#">1040316</a>	SHAFT, REVERS,E 29T	1
52	<a href="#">1045165</a>	SHAFT, FRONT OUTPUT	1
53	<a href="#">1039299</a>	BELLCRANK, 92 DEGREE	1
54	<a href="#">1039300</a>	COLLAR, SHIFT,	1
55	<a href="#">1039431</a>	TUBE, VENT 90 -1/4 INCH HOSE	1
56	<a href="#">1040320</a>	GEAR-44T,STAGE2(352842)	1
57	<a href="#">1039301</a>	ENGAGEMENT DOG,6-FACE(352857)	1
58	<a href="#">1039302</a>	GEAR-53T(352858)	1
59	<a href="#">1007456</a>	GEAR-46T,STAGE 3(352872)	1
60	<a href="#">1039455</a>	WELDMENT, REAR MOUNT BRACKET	1
61	<a href="#">1039303</a>	SHIFT DOG, PARK/LOW (353357)	1
62	<a href="#">1039304</a>	RAIL-SHIFT SHAFT(353622)	1
63	<a href="#">1007463</a>	SPROCKET-48T,6-FACE REVERSE	1
64	<a href="#">1040321</a>	GEAR, LOW 64T,	1
65	<a href="#">1039471</a>	CAM, PARK	1
66	<a href="#">1039472</a>	DRUM, SHIFT MACH,	1
67	<a href="#">1045166</a>	GEAR, 13T SNORKEL	1
68	<a href="#">1039466</a>	WELDMENT,, REAR MOUNT BRACKET	1
69	<a href="#">1039468</a>	SUBASSEMBLY, SECTOR COVER	1
70	<a href="#">1039305</a>	SUBASSEMBLY OUTPUT (INCLUDES BEARINGS)	1
71	<a href="#">1039306</a>	SUBASM.,SHAFT	1

## DRIVE TRAIN, MAIN GEARCASE INTERNALS

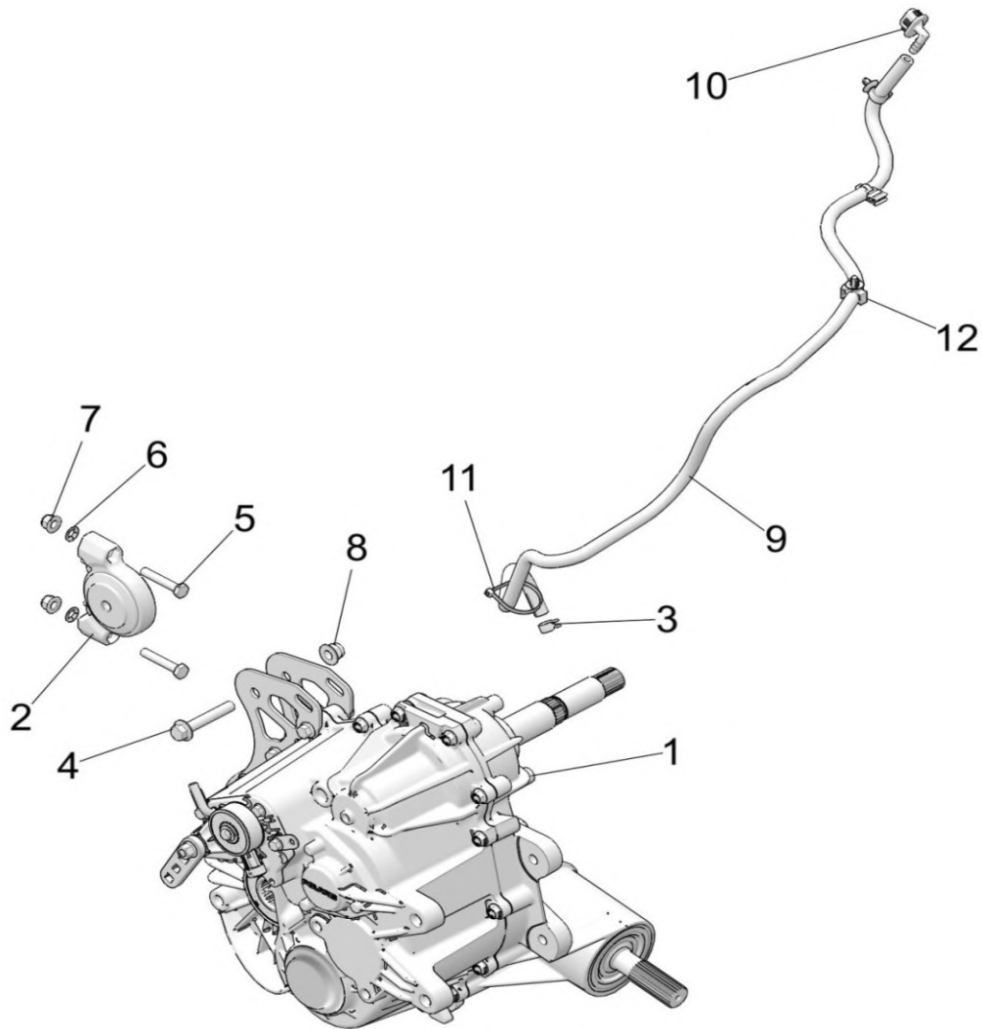
2022 RZR RZR XP 1000 PREMIUM (R02) - Z22NAK99AK/AR/BK/BR/NAV99AK/AR/BK/BR



POS	SAP	Part Name	Qty
72	<a href="#">1007457</a>	SUBASSEMBLY, PAWL, DETENT, ROLLER	1
73	<a href="#">1039307</a>	SUBASSEMBLY, SHIFT FORK	2
73	<a href="#">1039307</a>	SUBASSEMBLY, SHIFT FORK	2
74	<a href="#">1007478</a>	SUBASSEMBLY, RH COVER	1
75	<a href="#">1045167</a>	SUBASSEMBLY, LH CASE	1
76	<a href="#">1039317</a>	COVER-BEARING,CNTR DR.	1
77	<a href="#">1039459</a>	BRACKET, WIRE HARNESS	2
78	<a href="#">1039467</a>	BRACKET, REAR MOUNT	1
79	<a href="#">1007447</a>	CHAIN, SILENT, TYPE 101, .25P X .40W X 58L	1
80	<a href="#">1028617</a>	Sensor, Speed, Trans.	1
81	<a href="#">1039315</a>	SWITCH, ROTARY , 2 PIN RESISTIVE	1
82	<a href="#">1034629</a>	PLUG, SOCKET HEAD	1
83	<a href="#">1007459</a>	SEAL, TRIPLE LIP, VITON HELIX 30 X 47	1
84	<a href="#">1007462</a>	SEAL, TRIPLE LIP, VITON, 25 X 80 X 10	1
85	<a href="#">1039436</a>	O-RING	1
86	<a href="#">1039316</a>	O-RING, -012 VITON	1
87	<a href="#">1039425</a>	O-RING, -014 VITON	1
88	<a href="#">1007453</a>	SEAL, TRIPLE LIP, VITON HELIX 40X70X7	2
88	<a href="#">1007453</a>	SEAL, TRIPLE LIP, VITON HELIX 40X70X7	2

## DRIVE TRAIN, MAIN GEARCASE MOUNTING

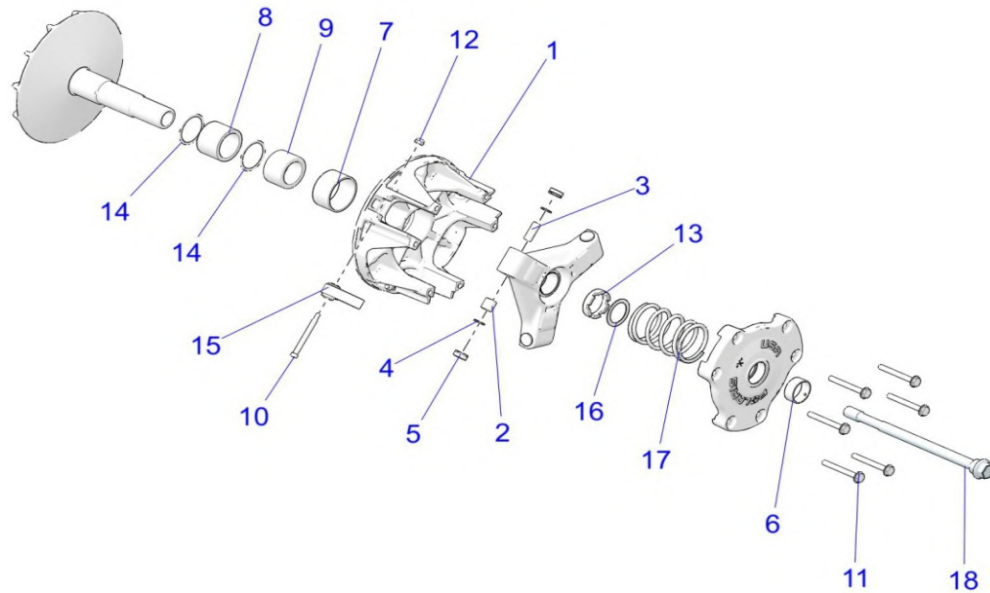
2022 RZR RZR XP 1000 PREMIUM (R02) - Z22NAK99AK/AR/BK/BR/NAV99AK/AR/BK/BR



POS	SAP	Part Name	Qty
1	<a href="#">1040163</a>	ASM-GEARCASE,COMPLETE	1
2	<a href="#">1039358</a>	MOUNT, ISOLATOR, DRIVELINE	1
3	<a href="#">1039630</a>	CLAMP-HOSE, (LARGE GREEN)	1
4	<a href="#">1039694</a>	SCR-HXFL-M10X1.25X60 8.8 ZOD	1
5	<a href="#">1039723</a>	SCREW-HH M8X1.25X45 8.8 ZOD	2
6	<a href="#">1039776</a>	NUT-5/16-PAL-Y	2
7	<a href="#">1014499</a>	NUT- M8X1.25, FLG, NYLOC-OLIVE D	2
8	<a href="#">1014500</a>	NUT-M10X1.25, FLG, NYLOC-OLIVE D	1
9	<a href="#">1045168</a>	VENT-TRANS,FORMED	1
10	<a href="#">1039581</a>	FITTING-VENT LINE,90	1
11	<a href="#">1014060</a>	CABLE-TIE,10-102MM,WEATH.-RES.	1
12	<a href="#">1039817</a>	CLIP, ROUTING, .472 B.D., HINGED	2

## DRIVE TRAIN, PRIMARY CLUTCH

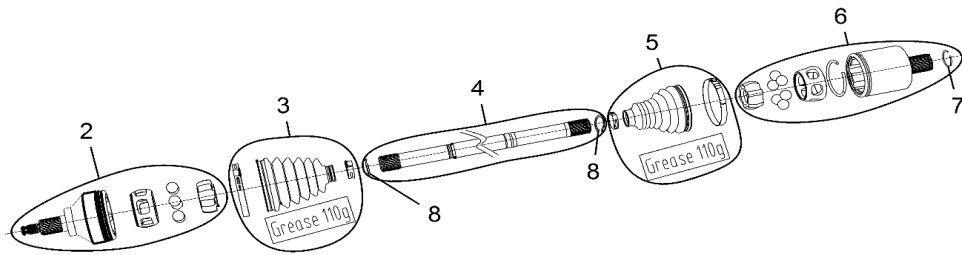
2022 RZR RZR XP 1000 PREMIUM (R02) - Z22NAK99AK/AR/BK/BR/NAV99AK/AR/BK/BR



POS	SAP	Part Name	Qty
1	<a href="#">1045169</a>	ASM., DRIVE CLUTCH, BASIC, BEARING [INCL. 2-14]	1
2	<a href="#">1002820</a>	ASM., ROLLER AND BUSHING, 26-59	3
3	<a href="#">1010979</a>	PIN-ROLLER,(10) Substituted by 5133079	3
4	<a href="#">1011840</a>	WASHER, CLUTCH, SPIDER ROLLER	6
5	<a href="#">1011909</a>	BUTTON, CLUTCH, RUBBER BACKED	6
6	<a href="#">1008784</a>	BEARING, COVER,(10)	1
7	<a href="#">1008438</a>	BEARING-DU,1.75ID	1
8	<a href="#">1008439</a>	BEARING, NEEDLE	1
9	<a href="#">1012197</a>	SPACER, CLUTCH, TALL, PM	1
10	<a href="#">1014426</a>	SCR-SH-1/4X2 SAE4037 BLK OX&OIL	3
11	<a href="#">1014432</a>	SCR-1/4-20X2 1/4 HX FLNG GR5-Y	6
12	<a href="#">1014495</a>	NUT-10-24-FLEX LOC-Z	3
13	<a href="#">1014506</a>	NUT, JAM	1
14	<a href="#">1014526</a>	Washer, Clutch, Vespel	2
14	<a href="#">1014526</a>	Washer, Clutch, Vespel	2
15	<a href="#">1012204</a>	WEIGHT-SHIFT,29-75,PM	3
16	<a href="#">1045170</a>	SCR-HXFL-M14X1.5X215 10.9 SPC	1
17	<a href="#">1045171</a>	SPRING-CLUTCH,58-135	1
18	<a href="#">1011851</a>	SPACER, CLUTCH, LIMITER	1

## DRIVE TRAIN, REAR HALF SHAFT

2022 RZR RZR XP 1000 PREMIUM (R02) - Z22NAK99AK/AR/BK/BR/NAV99AK/AR/BK/BR

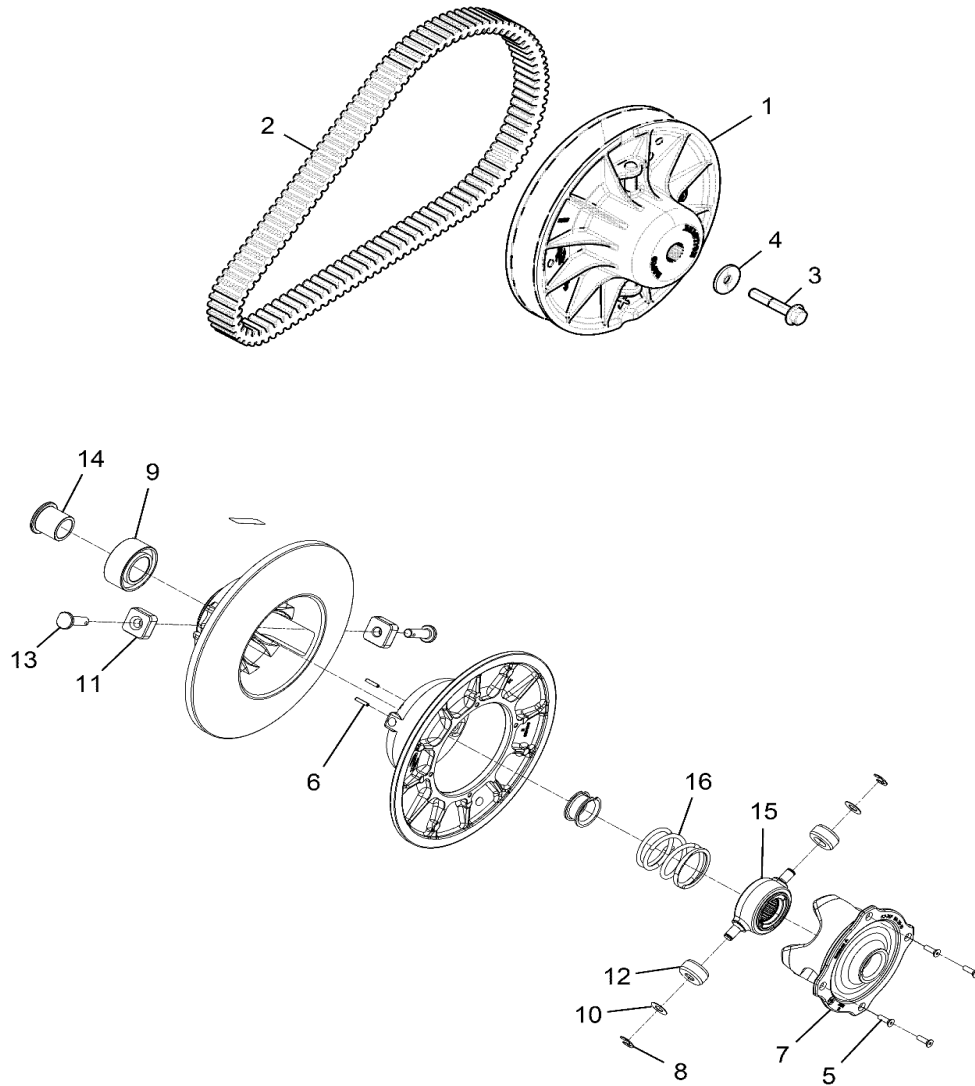


POS	SAP	Part Name	Qty
1	<a href="#">1045172</a>	ASM-HALFSHAFT,REAR,8.8,64 [INCL. ALL]	1
2	<a href="#">1045173</a>	ASM-OUTER JOINT	1
3	<a href="#">1045174</a>	BOOT KIT OUTER	1
4	<a href="#">1045175</a>	BAR	1
5	<a href="#">1045176</a>	K-BOOT,INNER	1
6	<a href="#">1045177</a>	JOINT, PLUNGING	1
7	<a href="#">1045178</a>	SNAP RING	1
8	<a href="#">1045180</a>	CIRCLIP	1
8	<a href="#">1045180</a>	CIRCLIP	1



## DRIVE TRAIN, SECONDARY CLUTCH

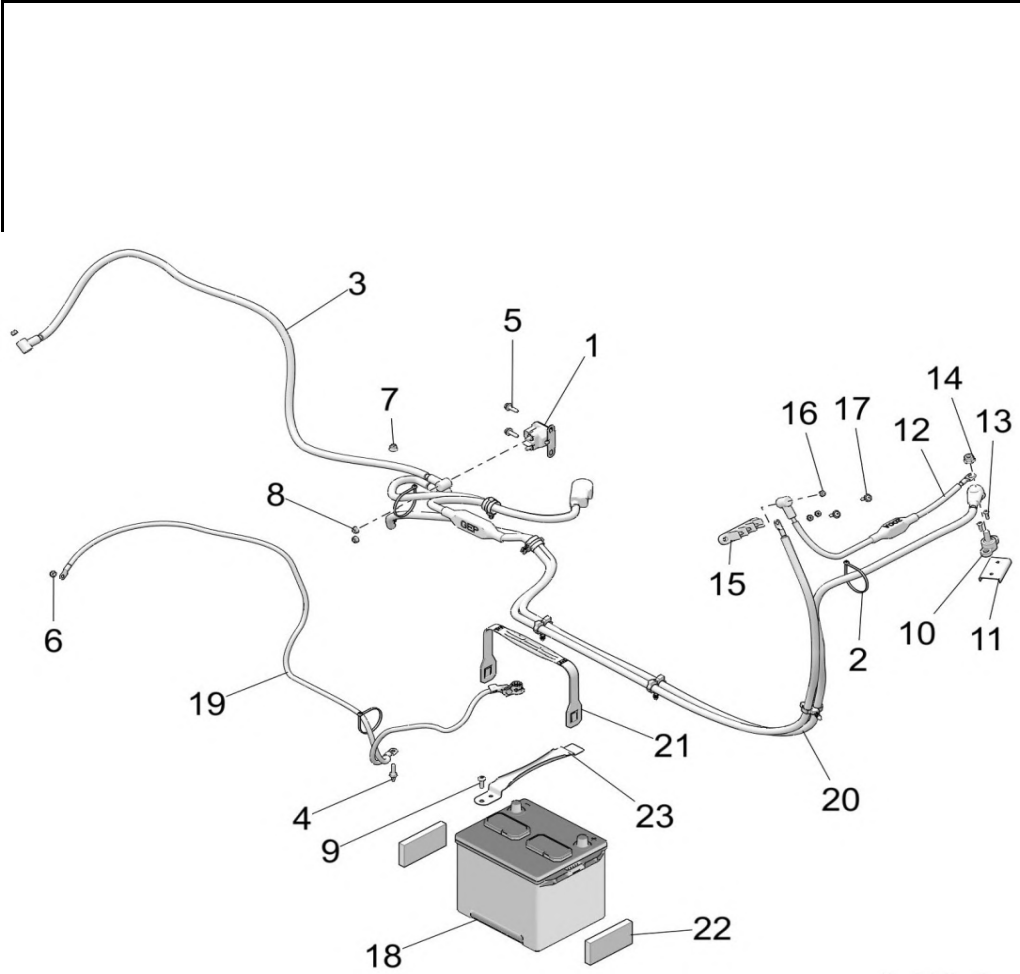
2022 RZR RZR XP 1000 PREMIUM (R02) - Z22NAK99AK/AR/BK/BR/NAV99AK/AR/BK/BR



POS	SAP	Part Name	Qty
1	<a href="#">1002830</a>	ASM-DRIVEN 30MM,BTD,BASIC [INCL. 4-6,8-15]	1
2	<a href="#">1007365</a>	BELT-DRIVE,10.5,CD	1
3	<a href="#">1014454</a>	SCR-HXFL-M10X1.25X60 10.9 ZOD	1
4	<a href="#">1014019</a>	SPRING, COMPRESSION	1
5	<a href="#">1007448</a>	SCREW, HELIX, PATCH	4
6	<a href="#">1007440</a>	SPRING, CLUTCHPIN, SPRING SLOTTED	2
7	<a href="#">1045181</a>	CAM ASSEMBLY	1
8	<a href="#">1014622</a>	Ring, Retaining, E-Ring, External	2
9	<a href="#">1008452</a>	BEARING, BALL OIL FILLED ANGULAR CONTACT 30X55X23	1
10	<a href="#">1014522</a>	WASHER-THRUST-TEAM#150151	2
11	<a href="#">1008453</a>	PUCK, SQUARE TIED 1.135 X 0.3775 X 0.55	2
12	<a href="#">1008454</a>	ROLLER-BTD,9.58X28.83X13.97,CE	2
13	<a href="#">1007439</a>	PIN , ROLLER	2
14	<a href="#">1007479</a>	SLEEVE-SHOULDER,22.94X30,BTD	1
15	<a href="#">1011252</a>	SPIDER, 9.5 25T MACH	1
16	<a href="#">1014019</a>	SPRING, COMPRESSION	1

# ELECTRICAL, BATTERY

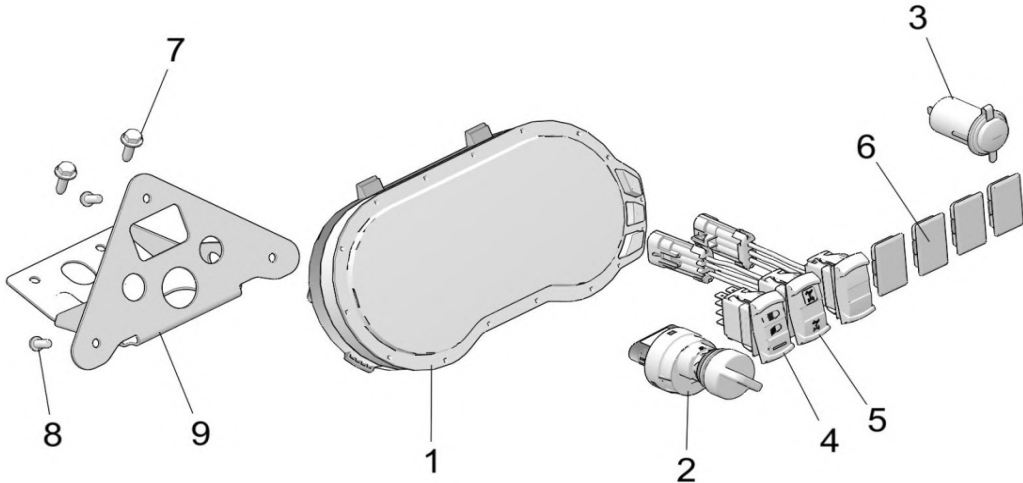
2022 RZR RZR XP 1000 PREMIUM (R02) - Z22NAK99AK/AR/BK/BR/NAV99AK/AR/BK/BR



POS	SAP	Part Name	Qty
2	<a href="#">1039612</a>	PANDUIT STRAP	1
3	<a href="#">1039493</a>	CABLE, START TO SOLENOID	1
4	<a href="#">1039752</a>	STUD-M6X1.0X19-M6 TAPTITE	1
5	<a href="#">1039683</a>	SCR-M6X1.0X20, HXHD, FLG, TDFM, BK	2
6	<a href="#">1039773</a>	NUT-6MM X 1 NYLOK-Z	2
7	<a href="#">1039782</a>	NUT, M6 FLANGE, NYLOC	1
8	<a href="#">1045182</a>	NUT-HXFLGHD, M6, SERRATED	2
9	<a href="#">1039758</a>	SCR-TXPH-#14 X .75 HI-LO RIE	1
10	<a href="#">1045183</a>	Block, Junction	1
11	<a href="#">1045184</a>	BRKT-MTG,B+ POST,BLK	1
12	<a href="#">1045185</a>	CABLE-JUMPER,ACCY,FUSED [TO 6/13/2022]	1
12	<a href="#">1045186</a>	CABLE-JUMPER,ACCY,FUSED [FROM 6/13/2022]	1
13	<a href="#">1045187</a>	SCR-#10-24X5/8PN/TR-RDTORX-Y	2
14	<a href="#">1045188</a>	NUT-FLANGED,3/8-16 NYLON-Z	1
15	<a href="#">1039496</a>	BLOCK, TERMINAL, 3 POST, TALL	1
16	<a href="#">1039785</a>	NUTS, KEPS, 10-32	3
17	<a href="#">1039669</a>	SCR-10-24X3/4 PH/TX/TRI-SEMS Y	2
18	<a href="#">1045189</a>	BATTERY, 575 CCA, FLOODED, FILLED	1
19	<a href="#">1045190</a>	CABLE-GROUND,ENG,BAT,CHAS	1
20	<a href="#">1045191</a>	CABLE-SET,PRI PWR,FUSED [TO 6/13/2022]	1
20	<a href="#">1045192</a>	CABLE-SET,PRI PWR,FUSED [FROM 6/13/2022]	1
21	<a href="#">1045193</a>	STRAP, BATTERY, LIFT	1
22	<a href="#">1039598</a>	PAD, BATTERY, FOAM	2
23	<a href="#">1045194</a>	STRAP, BATTERY, MAIN, BLACK	1

## ELECTRICAL, DASH INSTRUMENTS AND CONTROLS

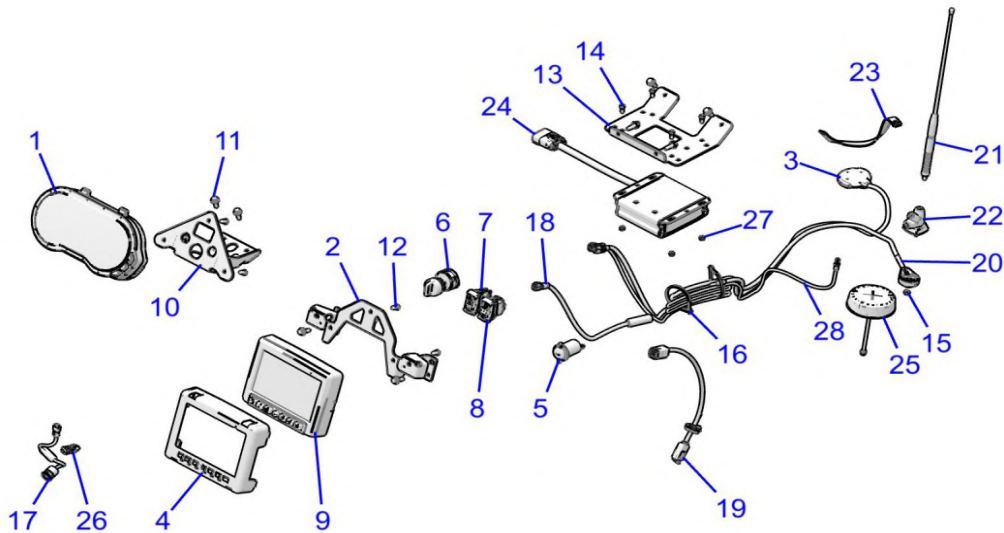
2022 RZR RZR XP 1000 PREMIUM (R02) - Z22NAK99AK/AR/BK/BR/NAV99AK/AR/BK/BR



POS	SAP	Part Name	Qty
1	<a href="#">1045199</a>	ASM-C4,RZR	1
2	<a href="#">1009595</a>	SWITCH-KEY,4 POSITION,MT SLV	1
3	<a href="#">1009573</a>	RECEPTACLE, POD MOUNT, 12 VOLT	2
4	<a href="#">1009580</a>	SWITCH, HEADLIGHT	1
5	<a href="#">1045196</a>	SWITCH, AWD, SEALED	1
6	<a href="#">1045197</a>	COVER-SWITCH,RZT	AR
7	<a href="#">1039683</a>	SCR-M6X1.0X20, HXHD, FLG, TDFM, BK	2
8	<a href="#">1014444</a>	SCREW-TXBH-M6X1.0X12 8.8 ZPB D20	3
9	<a href="#">1045205</a>	BRKT-C4 GAUGE MOUNT,ECOAT	1

ELECTRICAL, DASH INSTRUMENTS AND CONTROLS, RIDE COMMAND

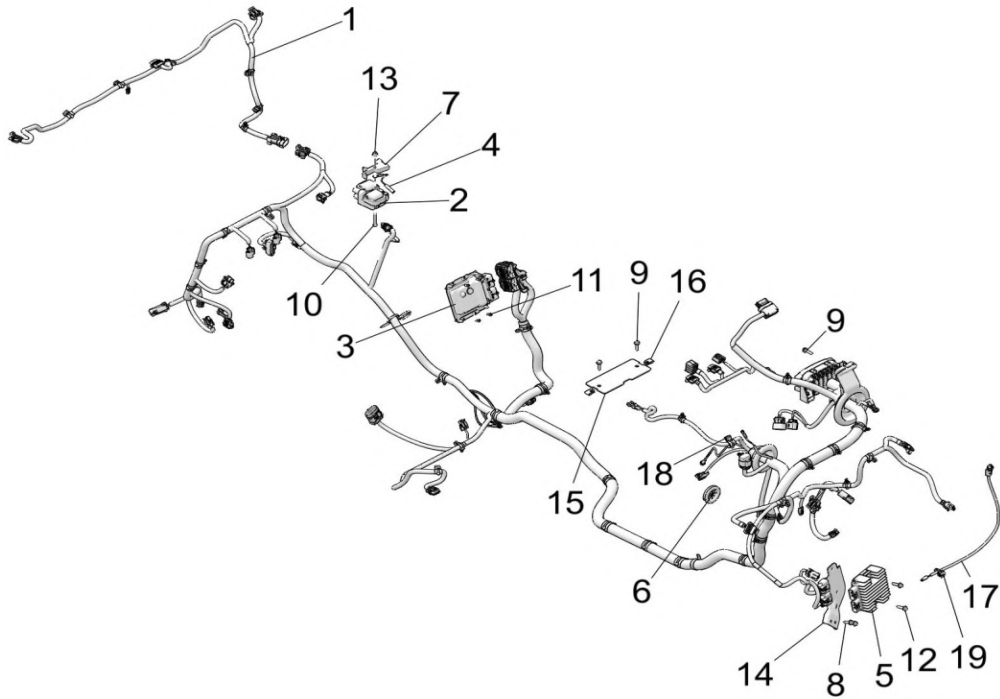
2022 RZR RZR XP 1000 PREMIUM (R02) - Z22NAK99AK/AR/BK/BR/NAV99AK/AR/BK/BR



POS	SAP	Part Name	Qty
1	1045199	ASM-C4,RZR	1
2	1045200	BRKT-RZR 7" DISPLAY,BLK	1
3	1045201	ANTENNA,GPS,EXT	1
4	1045202	BEZEL-GAUGE,7",ORV,7 BTN,BLK	1
5	1009573	RECEPTACLE, POD MOUNT, 12 VOLT	1
6	1009595	SWITCH-KEY,4 POSITION,MT SLV	1
7	1009580	SWITCH, HEADLIGHT	1
8	1039492	SWITCH, AWD	1
9	1045203	ASM-DISPLAY,DIG,P7,PRG,250K [INTIL 01/24/2022]	1
9	1045204	ASM-DISPLAY,DIG,P7,PRG,250K [FROM 01/31/2022]	1
10	1045205	BRKT-C4 GAUGE MOUNT,ECOAT	1
11	1039683	SCR-M6X1.0X20, HXHD, FLG, TDFM, BK	8
12	1014444	SCREW-TXBH-M6X1.0X12 8.8 ZPB D20	6
13	1045206	BRKT-SCM,AMP,BLK	1
14	1045207	SCREW-SH-M5X0.8X12 10.9 ZPC D204	4
15	1045208	NUT-HXFL-M5X0.8 A2SS	1
16	1039612	PANDUIT STRAP	2
17	1045209	CAM-MIRROR,CAMERA,APX	1
18	1045210	HARNESS-AM/FM ADAPTER	1
19	1045211	HARNESS,USB,RC	1
20	1045212	ASM-HARNESS,AM/FM ANTENNA,1050	1
21	1045213	ANTENNA MAST, AM/FM, SHORT	1
22	1045214	MOUNT-ANTENNA,90-DEG ADJ	1
23	1045215	STRAP-GROUND,ANTENNA,BRAIDED	1
24	1045216	AMP,AUDIO,DASH MOUNT,2 CH	1
25	1045217	ANTENNA,V2V	1
26	1045218	CLIP- EDGE, 1-3MM THICKNESS	1
27	1040361	NUT-M5X.8,HX NYL-Y	4
28	1045219	HARNESS-V2V, ANTENNA-DISPLAY	

# ELECTRICAL, ECM, COIL, REGULATOR

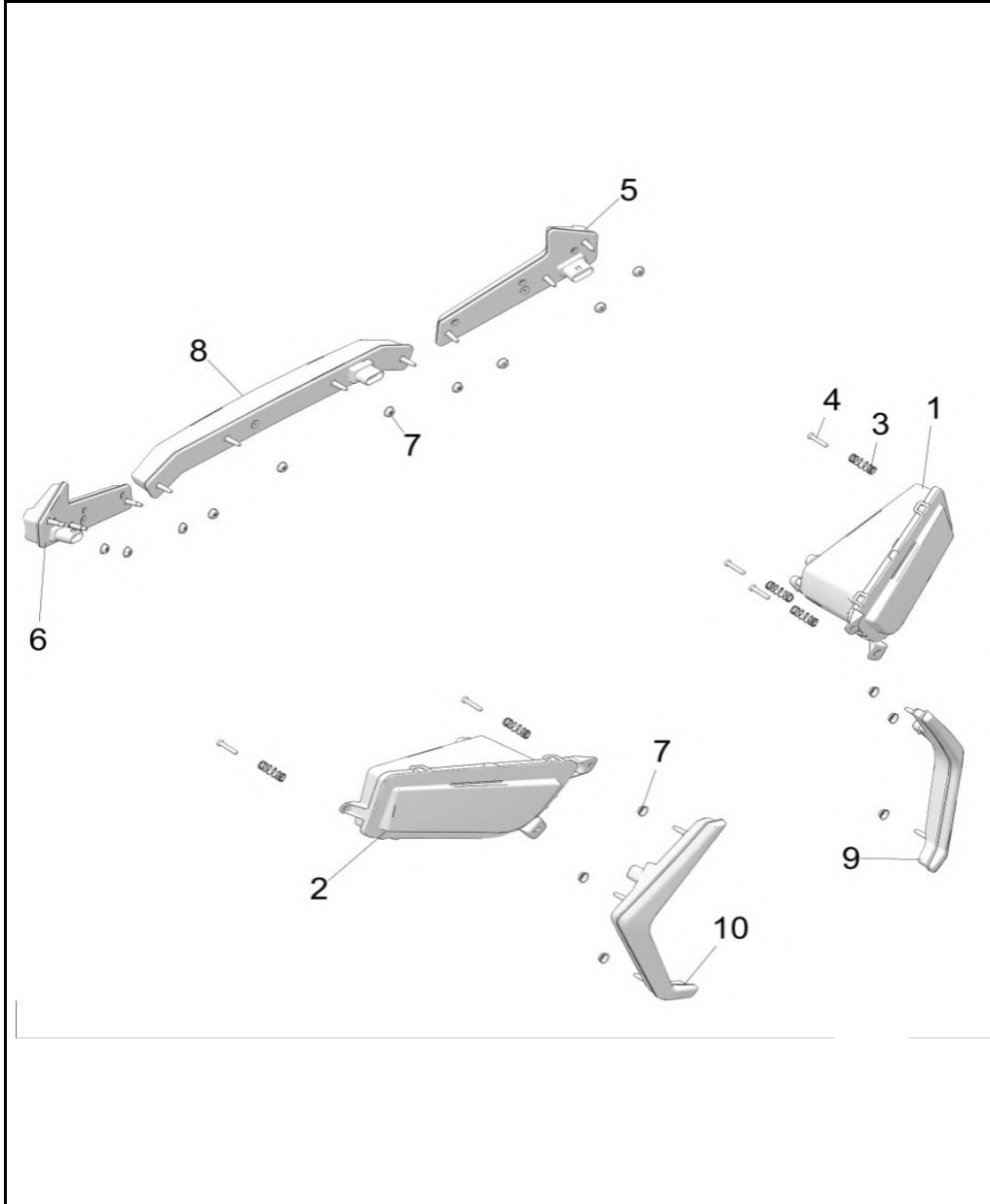
2022 RZR RZR XP 1000 PREMIUM (R02) - Z22NAK99AK/AR/BK/BR/NAV99AK/AR/BK/BR



POS	SAP	Part Name	Qty
2	<a href="#">1039486</a>	COIL, EFI	1
3	<a href="#">1009581</a>	ECM-HARD,ME17,2CYL,250K	1
4	<a href="#">1039491</a>	JUMPER, COIL GROUND	1
5	<a href="#">1009597</a>	REGULATOR-3PH,50A,SERIES,HISPD	1
6	<a href="#">1045220</a>	GROMMET, ELEC, CAB, SLIT	1
7	<a href="#">1011828</a>	SPACER, COIL MOUNT	1
8	<a href="#">1039683</a>	SCR-M6X1.0X20, HXHD, FLG, TDFM, BK	2
9	<a href="#">1039698</a>	SCREW-HXFL-M6X1.0X20 8.8 ZY3	4
9	<a href="#">1039698</a>	SCREW-HXFL-M6X1.0X20 8.8 ZY3	4
10	<a href="#">1039705</a>	SCR-M6X1.0X40,HX/SOC/CP-B	1
11	<a href="#">1039719</a>	SCR-#10X1/2-HI/LO-PN-T25, TRX-M	4
12	<a href="#">1044268</a>	SCR-TFHFL-M6X1.0X25,ZOD	2
13	<a href="#">1039782</a>	NUT, M6 FLANGE, NYLOC	1
14	<a href="#">1039896</a>	BRKT-MOUNT,REGULATOR,ECOAT	1
15	<a href="#">1045221</a>	PANEL-CLOSEOFF,FUSE CTR LOC	1
16	<a href="#">1014509</a>	NUT-M6-1.0, U-TYPE (2.5-3.8)	2
17	<a href="#">1045222</a>	HARNESS-TEMP SENSOR [RIDE COMMAND ONLY]	1
18	<a href="#">1014065</a>	CLIP-ROUTING	1
19	<a href="#">1040381</a>	CLIP, EDGE, HARNESS	1

# ELECTRICAL, HEADLIGHTS AND TAILLIGHTS

2022 RZR RZR XP 1000 PREMIUM (R02) - Z22NAK99AK/AR/BK/BR/NAV99AK/AR/BK/BR

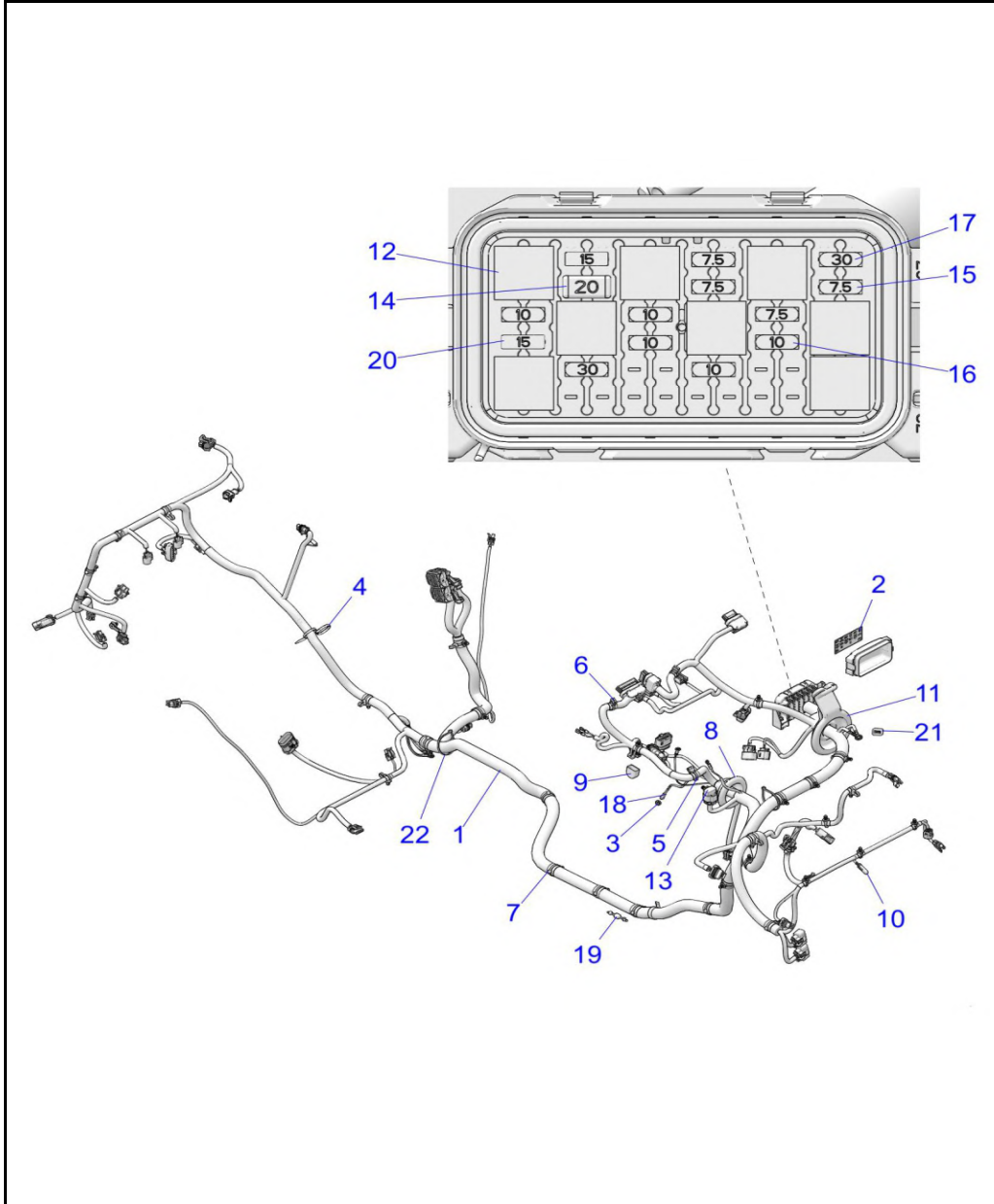


POS	SAP	Part Name	Qty
1	<a href="#">1045223</a>	ASM-HEADLIGHT,LED,ECE,LH,TRC	1
2	<a href="#">1045224</a>	ASM-HEADLIGHT,LED,ECE,RH,TRC	1
3	<a href="#">1013999</a>	SPRING, HEADLIGHT	6
4	<a href="#">1014424</a>	SCR-10X1.12 TX PN PLS-Y	6
5	<a href="#">1045225</a>	ASM-TAILLIGHT,LH	1
6	<a href="#">1045226</a>	ASM-TAILLIGHT,RH	1
7	<a href="#">1039814</a>	SPEED NUT-WASHER, HEAD-1/4	16
7	<a href="#">1039814</a>	SPEED NUT-WASHER, HEAD-1/4	16
8	<a href="#">1045227</a>	ASM-TAILLIGHT,CENTER	1
9	<a href="#">1045228</a>	ASM-LIGHT,ACCENT,LH	1
10	<a href="#">1045229</a>	ASM-LIGHT,ACCENT,RH	1



# ELECTRICAL, WIRE HARNESS

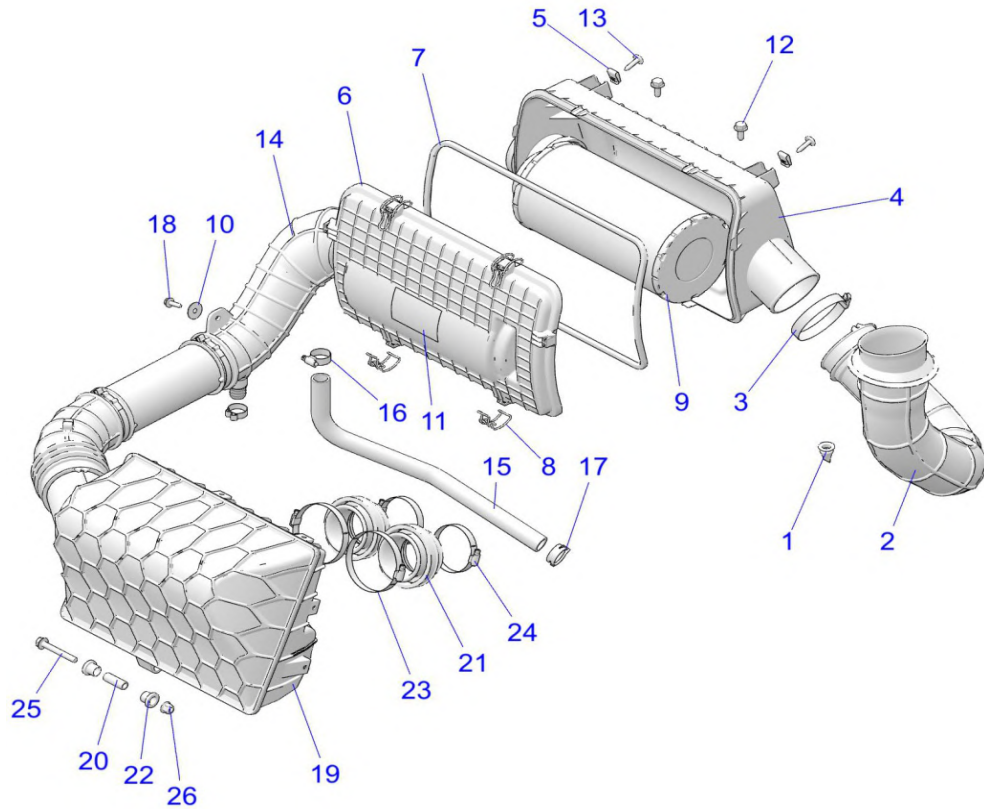
2022 RZR RZR XP 1000 PREMIUM (R02) - Z22NAK99AK/AR/BK/BR/NAV99AK/AR/BK/BR



POS	SAP	Part Name	Qty
1	1045230	HARNESS-CHASSIS,EPS,RZR,64,CR [INCL. ALL]	1
2	1045231	LABEL - FUSE BOX	1
3	1039638	CLIP - ROUTING, DIN BOX	1
4	1039636	STRAP-PANDUIT,DBL LOOP,260MM	2
5	1040381	CLIP, EDGE, HARNESS	1
6	1039635	STRAP - CABLE TIE W/ EDGE CLIP	2
7	1014065	CLIP-ROUTING	26
8	1039597	GROMMET - 65 MM, BLK	1
9	1045232	CAP - VINYL, 500X1000, BLACK	2
10	1045233	CAP - VINYL, 125X375, BLACK	1
11	1045234	GROMMET - DASH FUSE CTR, RZR	1
12	1009596	RELAY - SPST, 12V, 20A, EPXY, HFA	8
13	1039488	COVER - DIAGNOSTIC, W/ CLIP	1
14	1009564	BREAKER, CIRCUIT, 20 AMP, SEALED	1
15	1045235	FUSE - 7.5, MINI BLADE (BROWN)	4
16	1005911	FUSE, IGNITION, 10 AMP	5
17	1045236	FUSE,MAIN,30 AMP,(10)	2
18	1039381	LED - PANEL MNT, 12V, BLUE	1
19	1040379	DIODE - 6 AMP, 1/4, 3/16 TERM	1
20	1039379	Fuse, Mini Blade, 15 Amp.	2
21	1045237	DIODE - 6 AMP, 1/4, 3/16 TERM	1
22	1039612	PANDUIT STRAP ??	2

# ENGINE, AIR INTAKE SYSTEM

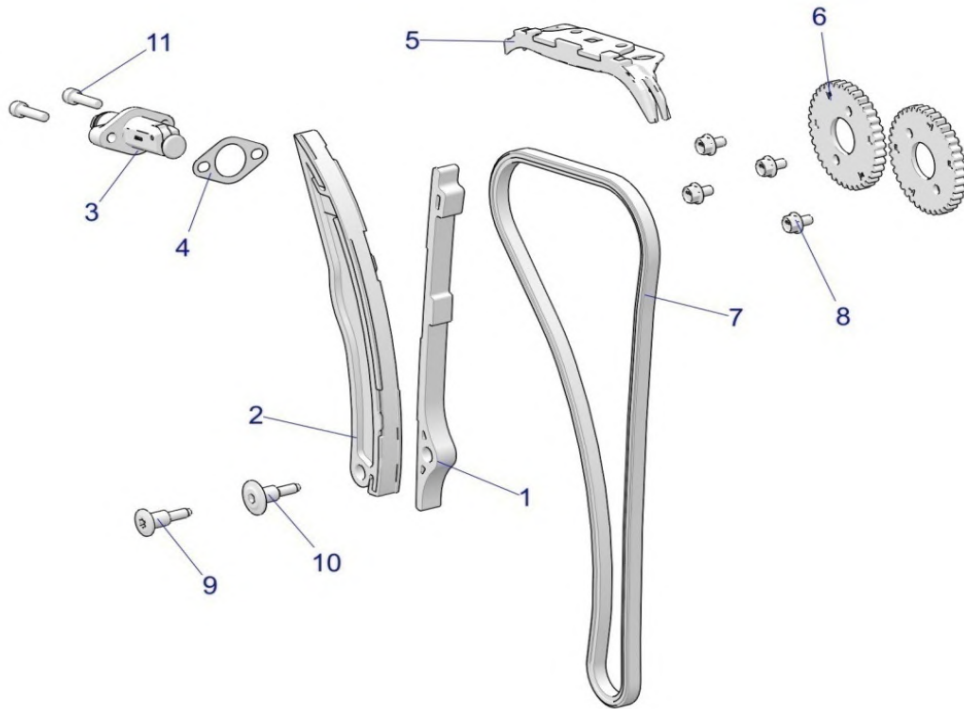
2022 RZR RZR XP 1000 PREMIUM (R02) - Z22NAK99AK/AR/BK/BR/NAV99AK/AR/BK/BR



POS	SAP	Part Name	Qty
1	1039544	PLUG, DRAIN, HC	1
2	1039551	HOSE, AIRBOX, IN	1
3	1039623	CLAMP,HOSE,3.75,SS	3
4	1030512	ASM., AIRBOX HOUSING [INCL. 5]	1
5	1014509	NUT-M6-1.0, U-TYPE (2.5-3.8)	2
6	1030513	ASM., AIRBOX COVER [INCL. 7,8]	1
7	1030511	SEAL, AIRBOX	1
8	1014072	CLIP, AIRBOX	4
9	1002475	ASM-FILTER	1
10	1039803	WASHER-.281X1.00X.051	1
11	1039646	DECAL, CAUTION, AIR BOX	1
12	1039688	SCR-TFHFL-M8X1.25X20 CHS ZOD	2
13	1014459	SCR-TXTH-M6X1.0X25 ZFB	2
14	1002471	ASM., INTAKE DUCT [INCL. 27-31]	1
15	1039550	HOSE, VENT	1
16	1039617	CLAMP, HOSE WORM GEAR 1.25	1
17	1039620	SPRINGBAND-CLAMP 27/12,GREEN	1
18	1039683	SCR-M6X1.0X20, HXHD, FLG, TDFM, BK	1
19	1002470	INTAKE, ENGINE HOUSING	1
20	1039505	SHAFT-COMPRESSION LMTR,34.4MM	1
21	1039549	BOOT, THROTTLE BODY	2
22	1039552	BUSHING, MOUNT	2
23	1039619	CLAMP-WORM DRIVE,.44WX3.75 DIA(10)	2
24	1039633	CLAMP-HOSE 70MM DIA. WORM GEAR	2
25	1039746	SCR-HXFL-M8X1.25X60 8.8 ZOD	1
26	1014499	NUT- M8X1.25, FLG, NYLOC-OLIVE D	1

## ENGINE, CAM CHAIN AND TENSIONER

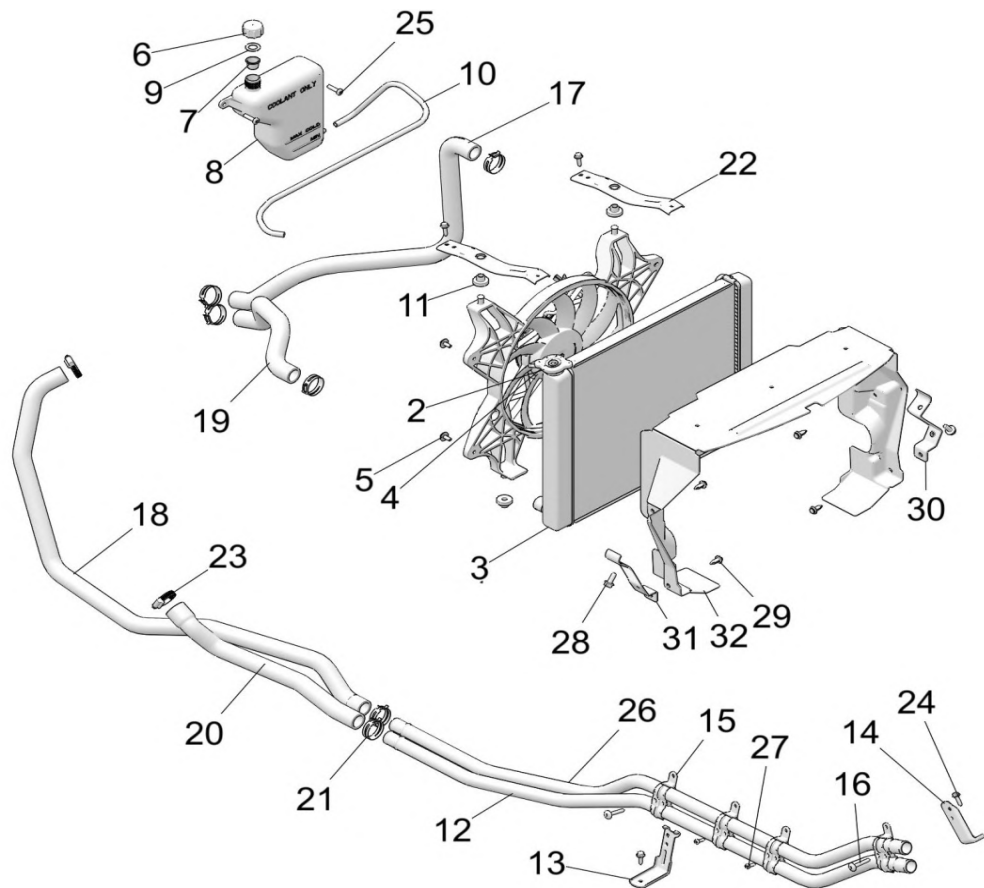
2022 RZR RZR XP 1000 PREMIUM (R02) - Z22NAK99AK/AR/BK/BR/NAV99AK/AR/BK/BR



POS	SAP	Part Name	Qty
1	<a href="#">1007004</a>	GUIDE, CAMCHAIN, FIXED	1
2	<a href="#">1007005</a>	GUIDE, CAMCHAIN, TENSIONER	1
3	<a href="#">1045238</a>	TENSIONER-RATCHETING,MECH	1
4	<a href="#">1039603</a>	GASKET, TENSIONER	1
5	<a href="#">1039411</a>	GUIDE-CAMCHAIN, TOP, ARC	1
6	<a href="#">1039417</a>	SPROCKET, CAM, DRIVEN, DOHC	2
7	<a href="#">1007398</a>	CHAIN, CAMSHAFT	1
8	<a href="#">1039728</a>	SCREW-HXFL, M6X1.0X10 10.9	4
9	<a href="#">1039730</a>	SCREW-TXPH-M6X1.0X14 8.8 A2K SHB	1
10	<a href="#">1039765</a>	BOLT-SHLDR, M6X14X40	1
11	<a href="#">1039713</a>	SCREW-SH-M6X1.0X25 10.9 ZPC D204	2

# ENGINE, COOLING SYSTEM

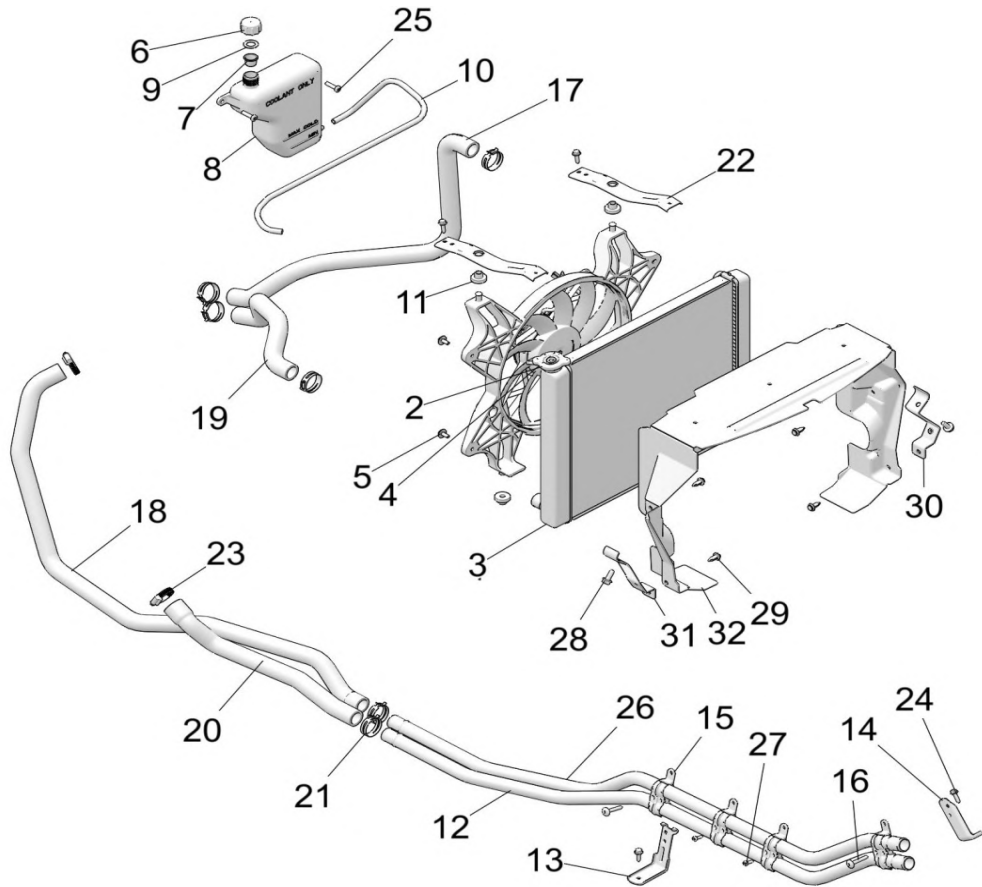
2022 RZR RZR XP 1000 PREMIUM (R02) - Z22NAK99AK/AR/BK/BR/NAV99AK/AR/BK/BR



POS	SAP	Part Name	Qty
-	<a href="#">1039350</a>	ASM., RADIATOR [INCL. 2-5]	1
2	<a href="#">1002468</a>	CAP, RADIATOR	1
3	<a href="#">1002469</a>	ASM., RADIATOR, CORE	1
4	<a href="#">1005838</a>	FAN-ASSEMBLY	1
5	<a href="#">1039757</a>	BOLT, M6X15MM	4
6	<a href="#">1011820</a>	CAP, OVER FLOW BOTTLE, DRILLED	1
7	<a href="#">1011824</a>	CAP,PLUG9X(GRN),FLEX TEMP(10)	1
8	<a href="#">1039565</a>	TANK, SURGE	1
9	<a href="#">1012347</a>	GASKET, OVER FLOW CAP	1
10	<a href="#">1045239</a>	FUEL LINE-95 CENTIMETERS	1
11	<a href="#">1039287</a>	GROMMET-FLANGED,.36X.56X1.06	4
12	<a href="#">1045240</a>	TUBE-COOLANT,1"	1
13	<a href="#">1039886</a>	BRACKET, COOLANT TUBE, BLACK	1
14	<a href="#">1039890</a>	BRACKET, COOLANT TUBE, BLACK	1
15	<a href="#">1039574</a>	BRACKET, COOLANT TUBE	4
16	<a href="#">1039714</a>	SCR-TXTH-M6X1.0X50, 8.8, ZPB	2
17	<a href="#">1039546</a>	HOSE, UPPER, RADIATOR	1
18	<a href="#">1039547</a>	HOSE, ENGINE OUTLET, REAR	1
19	<a href="#">1011804</a>	HOSE, LOWER, RADIATOR, LONG	1
20	<a href="#">1039554</a>	HOSE, ENGINE INLET, REAR	1
21	<a href="#">1039621</a>	SPRINGBAND-CLAMP 35/12,BLK	6
22	<a href="#">1039039</a>	BRACKET, UPPER RADIATOR MOUNT, BLACK	2
23	<a href="#">1039628</a>	CLAMP, HOSE (WORM DR) 25-40MM	2
24	<a href="#">1039683</a>	SCR-M6X1.0X20, HXHD, FLG, TDFM, BK	4
25	<a href="#">1039666</a>	SCREW, #14X1 HI/LO-PH-PN TRX-M	2
26	<a href="#">1045241</a>	TUBE-COOLANT,1"	1
27	<a href="#">1014423</a>	SCREW-#10X3/4-HI/LO-PN-T25,TRX-M	2
28	<a href="#">1039688</a>	SCR-TFHFL-M8X1.25X20 CHS ZOD	2
29	<a href="#">1014589</a>	RIVET-TUFLOK,.315-.325X.787	4

# ENGINE, COOLING SYSTEM

2022 RZR RZR XP 1000 PREMIUM (R02) - Z22NAK99AK/AR/BK/BR/NAV99AK/AR/BK/BR

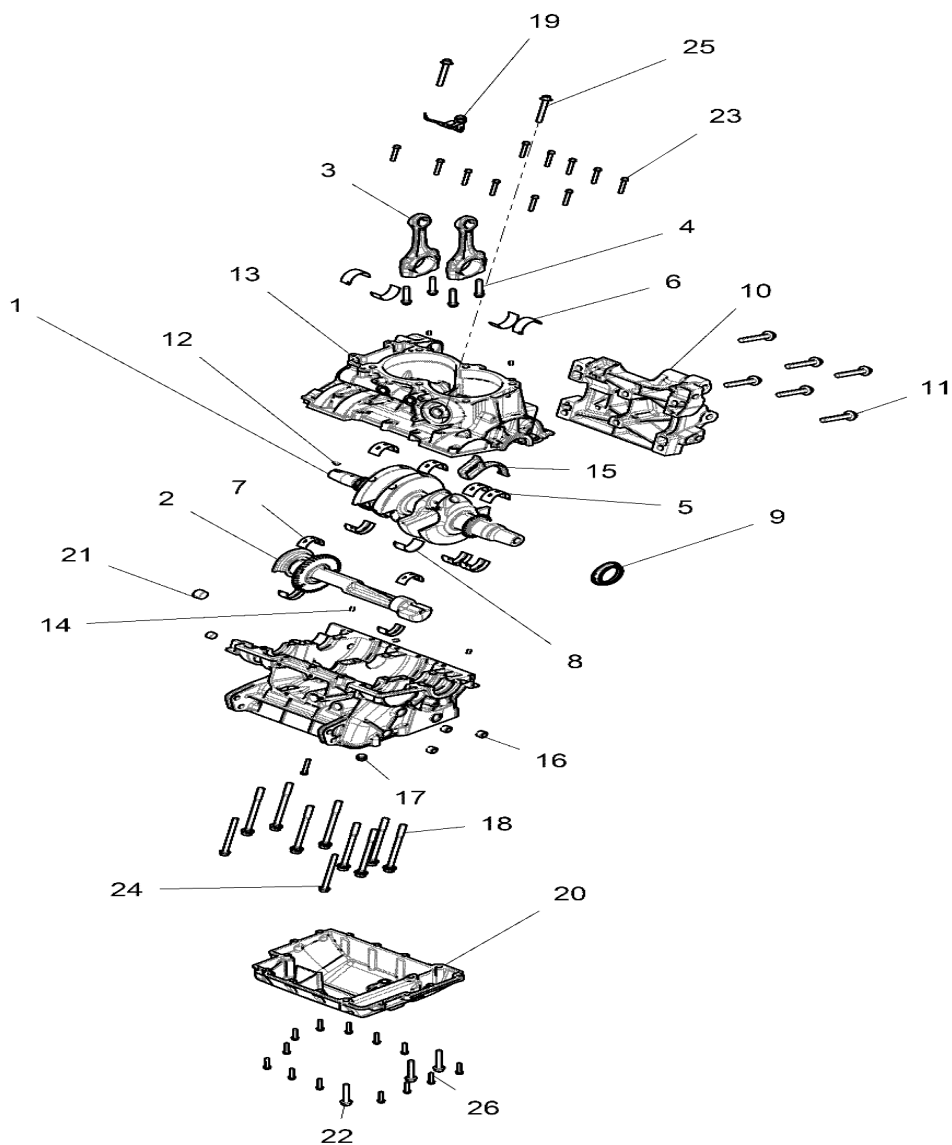


POS	SAP	Part Name	Qty
30	<a href="#">1045242</a>	BRKT-BUMPER MNT,FR,UP,LH,BLK	1
31	<a href="#">1045243</a>	BRKT-BUMPER MNT,FR,UP,RH,BLK	1
32	<a href="#">1045244</a>	SHROUD-RADIATOR,BLK	1



# ENGINE, CRANKCASE AND CRANKSHAFT

2022 RZR RZR XP 1000 PREMIUM (R02) - Z22NAK99AK/AR/BK/BR/NAV99AK/AR/BK/BR

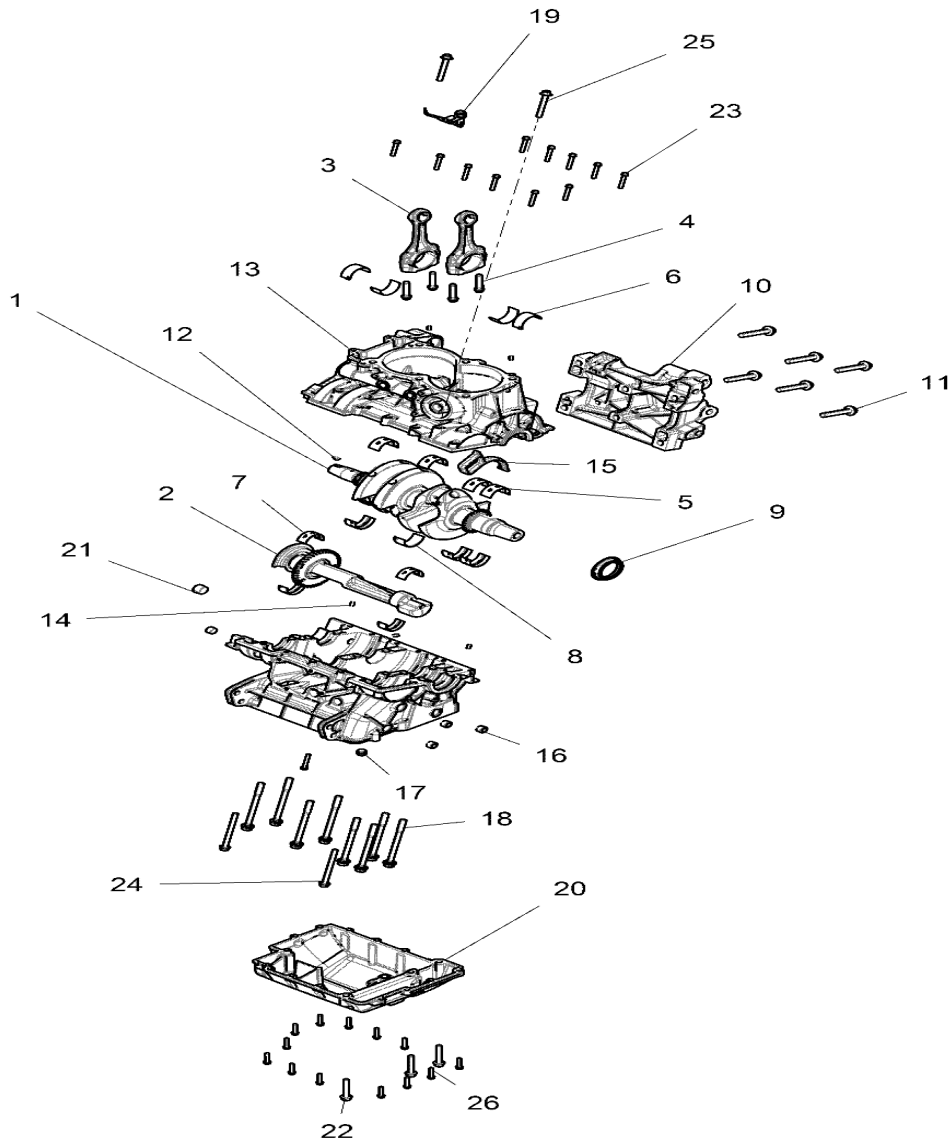


POS	SAP	Part Name	Qty
1	<a href="#">1045245</a>	ASM., CRANKSHAFT	1
2	<a href="#">1039348</a>	ASM., BALANCE SHAFT	1
3	<a href="#">1028601</a>	ASM-CONNECTING ROD,CLN [INCL. 4]	2
4	<a href="#">1039762</a>	SCR-ROD,MJ9X1X40-4H6H,12.9	4
5	<a href="#">1028584</a>	BEARING-MAIN,G-90,41MM	7
5	<a href="#">1028585</a>	BEARING, MAIN, BLUE	7
5	<a href="#">1028586</a>	BEARING, MAIN, GREEN	7
5	<a href="#">1028587</a>	BEARING, MAIN, YELLOW	7
5	<a href="#">1028588</a>	BEARING, MAIN, RED	7
6	<a href="#">1028589</a>	BEARING, CONNECTING ROD, WHITE	4
6	<a href="#">1028590</a>	BEARING, CONNECTING ROD, BLUE	4
6	<a href="#">1028591</a>	BEARING, CONNECTING ROD, GREEN	4
6	<a href="#">1028592</a>	BEARING, CONNECTING ROD, YELLOW	4
7	<a href="#">1028596</a>	BEARING, BALANCE SHAFT	4
8	<a href="#">1028593</a>	BEARING-MAIN,CNTR,LWR	1
8	<a href="#">1028594</a>	BEARING, MAIN, GREEN	1
8	<a href="#">1028595</a>	BEARING, MAIN, YELLOW	1
9	<a href="#">1028602</a>	SEAL-CRANKSHAFT	1
10	<a href="#">1045246</a>	BRKT-TRANSJOINT,MACH	1
11	<a href="#">1039763</a>	BOLT-M10X1.5X60MM8.8HEXDRILOCK	6
12	<a href="#">1014636</a>	KEY,WOODRUFF(10)	1
13	<a href="#">1045247</a>	K-CRANKCASE 3023658 [INCL. 14-19,21,23,24,27]	1
14	<a href="#">1045248</a>	PIN, DOWEL	8
15	<a href="#">1045249</a>	DIVERTER, OIL DRAIN	1
16	<a href="#">1039610</a>	PLUG-3/8 NPT,HX/SOC W/SEALANT	2
17	<a href="#">1039708</a>	PLUG-HEX SOCKET,1/4X18,SEALANT	2
18	<a href="#">1045250</a>	SCR-HXFL,M10X1.25X113MM 10.9	8
19	<a href="#">1039412</a>	JET, PISTON	1
20	<a href="#">1045251</a>	COVER-SUMP,MACH	1



# ENGINE, CRANKCASE AND CRANKSHAFT

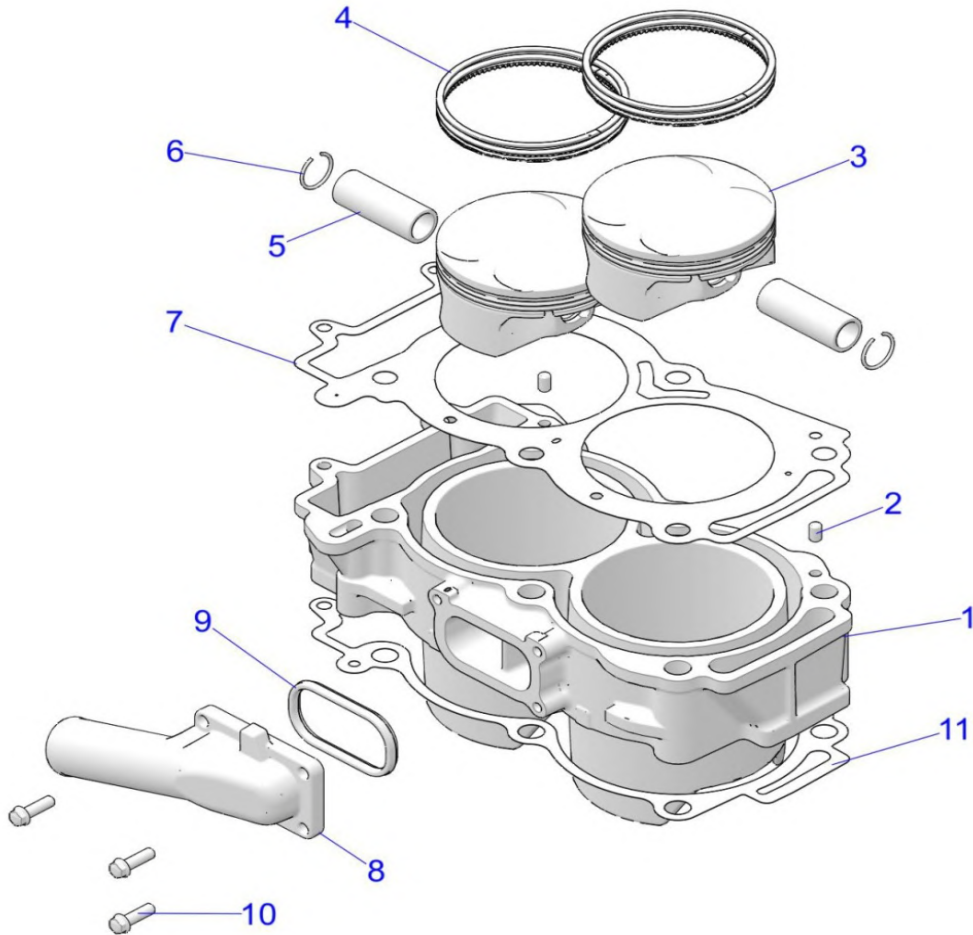
2022 RZR RZR XP 1000 PREMIUM (R02) - Z22NAK99AK/AR/BK/BR/NAV99AK/AR/BK/BR



POS	SAP	Part Name	Qty
21	<a href="#">1039611</a>	PLUG-HEX SCKT,W/O-RING,M20X1.5	1
22	<a href="#">1039664</a>	SCR-M8X1.25X50 HX/FL-Y	3
23	<a href="#">1039699</a>	SCR-HXFL-M6X1.0X35 8.8 ZY3	12
24	<a href="#">1039727</a>	SCR-HXFLG,M8X1.25X90	2
25	<a href="#">1039731</a>	SCR-HXFLG,M8X1.25X60	2
26	<a href="#">1039744</a>	SCREW-HXFLG,M6X1.0X25,10.9	13

## ENGINE, CYLINDER AND PISTON

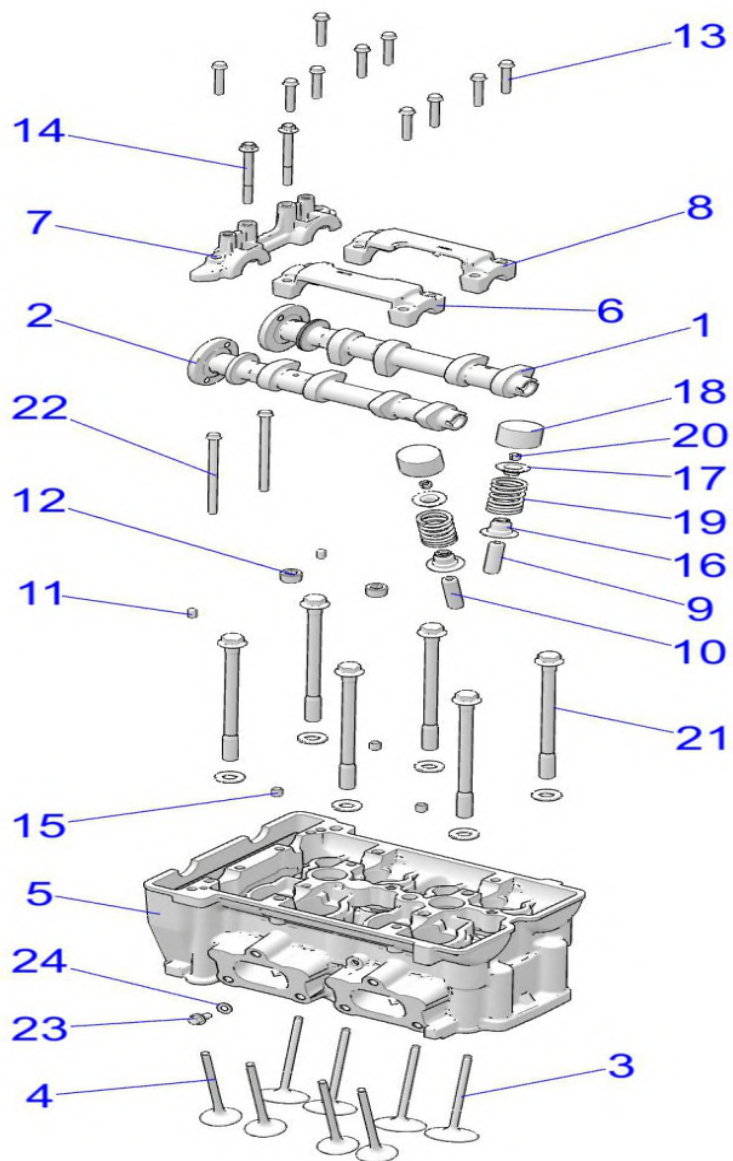
2022 RZR RZR XP 1000 PREMIUM (R02) - Z22NAK99AK/AR/BK/BR/NAV99AK/AR/BK/BR



POS	SAP	Part Name	Qty
1	<a href="#">1039415</a>	ASM-CYLINDER,999 [INCL. 2]	1
2	<a href="#">1039498</a>	PIN, DOWEL, M6x10	2
3	<a href="#">1039376</a>	ASM., PISTON 3022567 [INCL. 4,5]	2
4	<a href="#">1039377</a>	KIT, PISTON RINGS	2
5	<a href="#">1039406</a>	PIN, PISTON	2
6	<a href="#">1040420</a>	RING-RTG,ROUND,20.0X1.6	4
7	<a href="#">1028599</a>	GASKET, BASE, 2 CYL	1
8	<a href="#">1039588</a>	COVER, WATER INLET, CAST	1
9	<a href="#">1039596</a>	GASKET, WATER, INLET	1
10	<a href="#">1039698</a>	SCREW-HXFL-M6X1.0X20 8.8 ZY3	3
11	<a href="#">1028598</a>	GASKET, CYLINDER, HEAD [TO 5/2/2022]	1
11	<a href="#">1045252</a>	GASKET, CYLINDER, HEAD [FROM 5/2/2022]	1

## ENGINE, CYLINDER HEAD AND VALVES

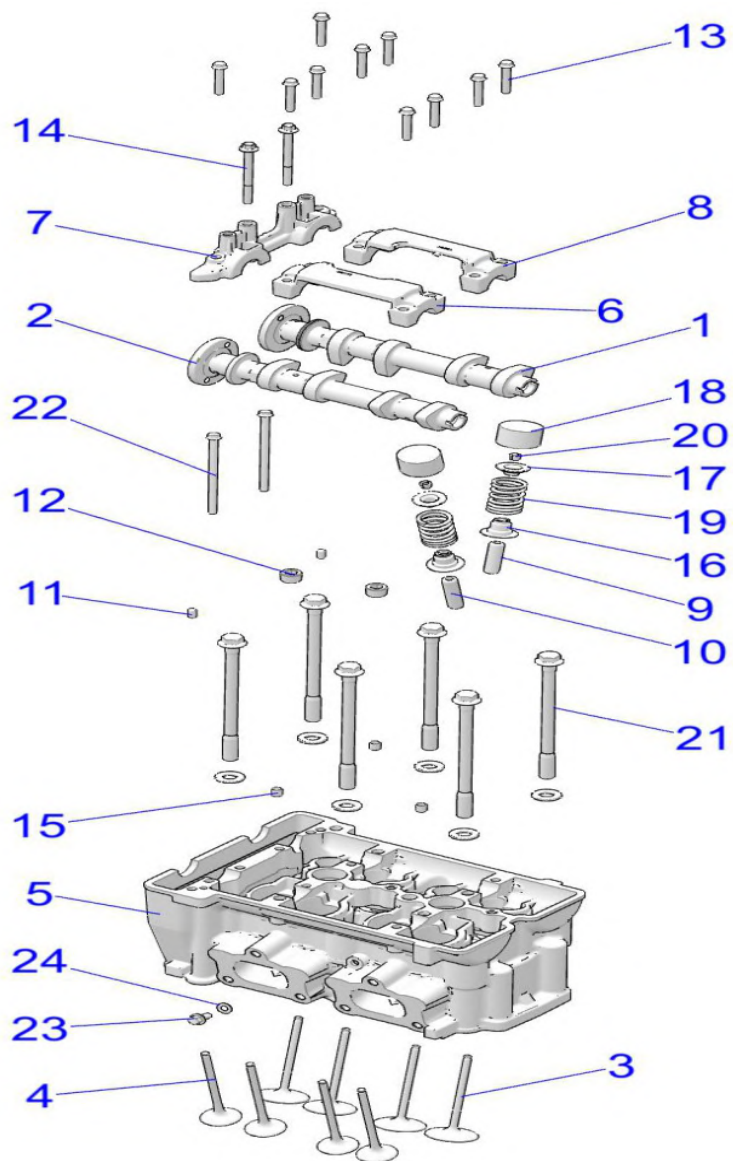
2022 RZR RZR XP 1000 PREMIUM (R02) - Z22NAK99AK/AR/BK/BR/NAV99AK/AR/BK/BR



POS	SAP	Part Name	Qty
1	<a href="#">1045253</a>	CAMSHAFT-INT,1040-234	1
2	<a href="#">1045254</a>	CAMSHAFT-EXH,1010-230	1
3	<a href="#">1039405</a>	VALVE-INTAKE,STEEL,G-90	4
4	<a href="#">1039407</a>	VALVE, EXHAUST	4
5	<a href="#">1039410</a>	ASM-CYLINDER HEAD,MACH [INCL. 6-15][EVAP]	1
5	<a href="#">1045255</a>	ASM-CYLINDER HEAD [INCL. 6-15][STD]	1
6	<a href="#">1040163</a>	CARRIER, CAMSHAFT, DOHC, EXHAUST [INCL. IN CYLINDER HEAD	1
7	<a href="#">1040163</a>	CARRIER, CAMSHAFT, DOHC, TRANS [INCL. IN CYLINDER HEAD	1
8	<a href="#">1040163</a>	CARRIER, CAMSHAFT, DOHC, INTAKE [INCL. IN CYLINDER HEAD	1
9	<a href="#">1040163</a>	GUIDE, VALVE, INTAKE [INCL. IN CYLINDER HEAD ASM.]	4
10	<a href="#">1040163</a>	GUIDE, VALVE, EXHAUST [INCL. IN CYLINDER HEAD ASM.]	4
11	<a href="#">1039498</a>	PIN, DOWEL, M6x10 [USED W/3022716]	2
11	<a href="#">1040428</a>	PIN-DOWEL,M6X10 [USED W/3023237]	2
12	<a href="#">1039610</a>	PLUG-3/8 NPT,HX/SOC W/SEALANT [USED W/3022716]	4
12	<a href="#">1045256</a>	PLUG-PIPE,M16,DIN [USED W/3023237]	4
13	<a href="#">1039760</a>	SCR-HXFL-M6X1.0X35 10.9 ZY3 [USED W/3022716]	10
13	<a href="#">1045257</a>	SCR-HXFL-M6X1.0X35 10.9 ZY3 [USED W/3023237]	10
14	<a href="#">1039732</a>	SCR-HXFL M6X1.0X70 B18.2.3.4M [USED W/3022716]	2
14	<a href="#">1045258</a>	SCR-HXFL M6X1.0X70 B18.2.3.4M [USED W/3023237]	2
15	<a href="#">1039812</a>	DOWEL, HOLLOW, M8X8 [USED W/3022716]	4
15	<a href="#">1045259</a>	DWL-HOL,M8X8 [USED W/3023237]	4
16	<a href="#">1008817</a>	SEAT, W/SEAL, VALVE SPRING	8
17	<a href="#">1039504</a>	RETAINER, VALVE	8
18	<a href="#">1039838</a>	TAPPET, VALVE, GRADED, 4.400	AR
18	<a href="#">1039839</a>	TAPPET, VALVE, GRADED, 4.425	AR
18	<a href="#">1039840</a>	TAPPET, VALVE, GRADED, 4.450	AR
18	<a href="#">1039841</a>	TAPPET, VALVE, GRADED, 4.475	AR
18	<a href="#">1039842</a>	TAPPET, VALVE, GRADED, 4.500	AR
18	<a href="#">1039843</a>	TAPPET, VALVE, GRADED, 4.525	AR

## ENGINE, CYLINDER HEAD AND VALVES

2022 RZR RZR XP 1000 PREMIUM (R02) - Z22NAK99AK/AR/BK/BR/NAV99AK/AR/BK/BR

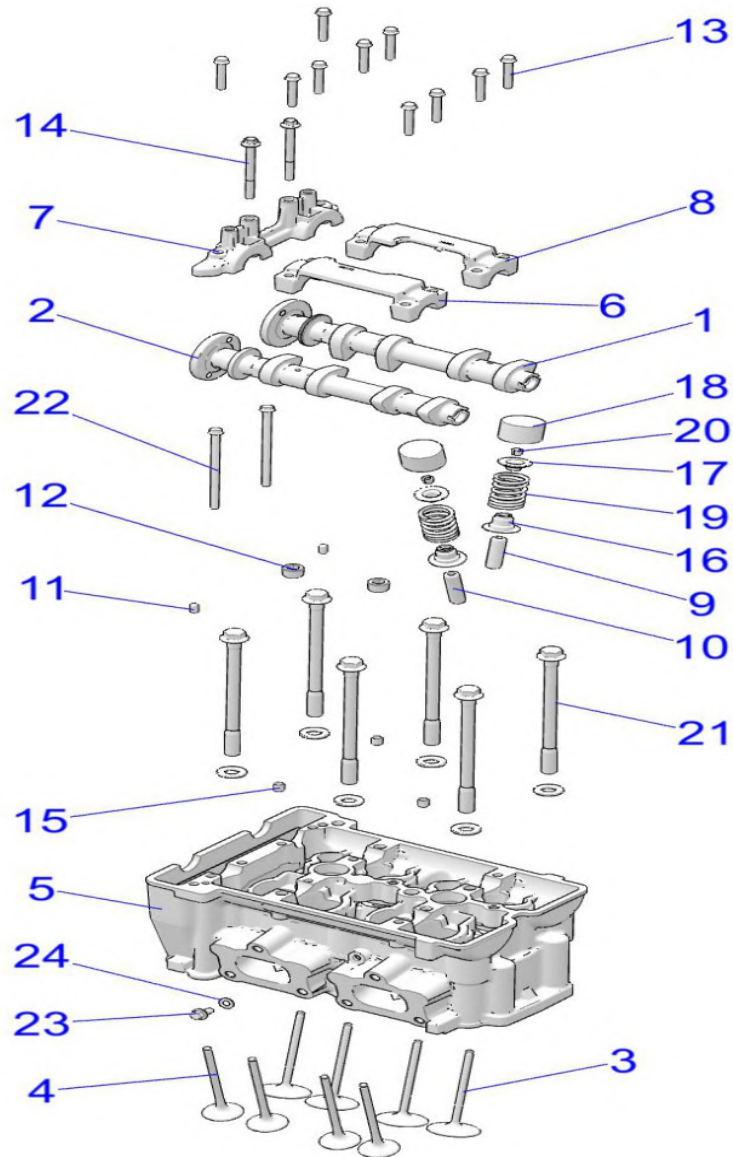


POS	SAP	Part Name	Qty
18	1039844	TAPPET, VALVE, GRADED, 4.550	AR
18	1039845	TAPPET, VALVE, GRADED, 4.575	AR
18	1039846	TAPPET, VALVE, GRADED, 4.600	AR
18	1039847	TAPPET, VALVE, GRADED, 4.625	AR
18	1039848	TAPPET, VALVE, GRADED, 4.650	AR
18	1039849	TAPPET, VALVE, GRADED, 4.675	AR
18	1041355	TAPPET, VALVE, GRADED, 4.700	AR
18	1039851	TAPPET, VALVE, GRADED, 4.725	AR
18	1039852	TAPPET, VALVE, GRADED, 4.750	AR
18	1039853	TAPPET, VALVE, GRADED, 4.775	AR
18	1039854	TAPPET, VALVE, GRADED, 4.800	AR
18	1039855	TAPPET, VALVE, GRADED, 4.825	AR
18	1039856	TAPPET, VALVE, GRADED, 4.850	AR
18	1039857	TAPPET, VALVE, GRADED, 4.875	AR
18	1039858	TAPPET, VALVE, GRADED, 4.900	AR
18	1039859	TAPPET, VALVE, GRADED, 4.925	AR
18	1039860	TAPPET, VALVE, GRADED, 4.950	AR
18	1039861	TAPPET, VALVE, GRADED, 4.975	AR
18	1039862	TAPPET, VALVE, GRADED, 5.000	AR
18	1039863	TAPPET, VALVE, GRADED, 5.025	AR
18	1039864	TAPPET, VALVE, GRADED, 5.050	AR
18	1039865	TAPPET, VALVE, GRADED, 5.075	AR
18	1039866	TAPPET, VALVE, GRADED, 5.100	AR
18	1039867	TAPPET, VALVE, GRADED, 5.125	AR
18	1039868	TAPPET, VALVE, GRADED, 5.150	AR
18	1039869	TAPPET, VALVE, GRADED, 5.175	AR
18	1039870	TAPPET, VALVE, GRADED, 5.200	AR
18	1039871	TAPPET, VALVE, GRADED, 5.225	AR
18	1039872	TAPPET, VALVE, GRADED, 5.250	AR



## ENGINE, CYLINDER HEAD AND VALVES

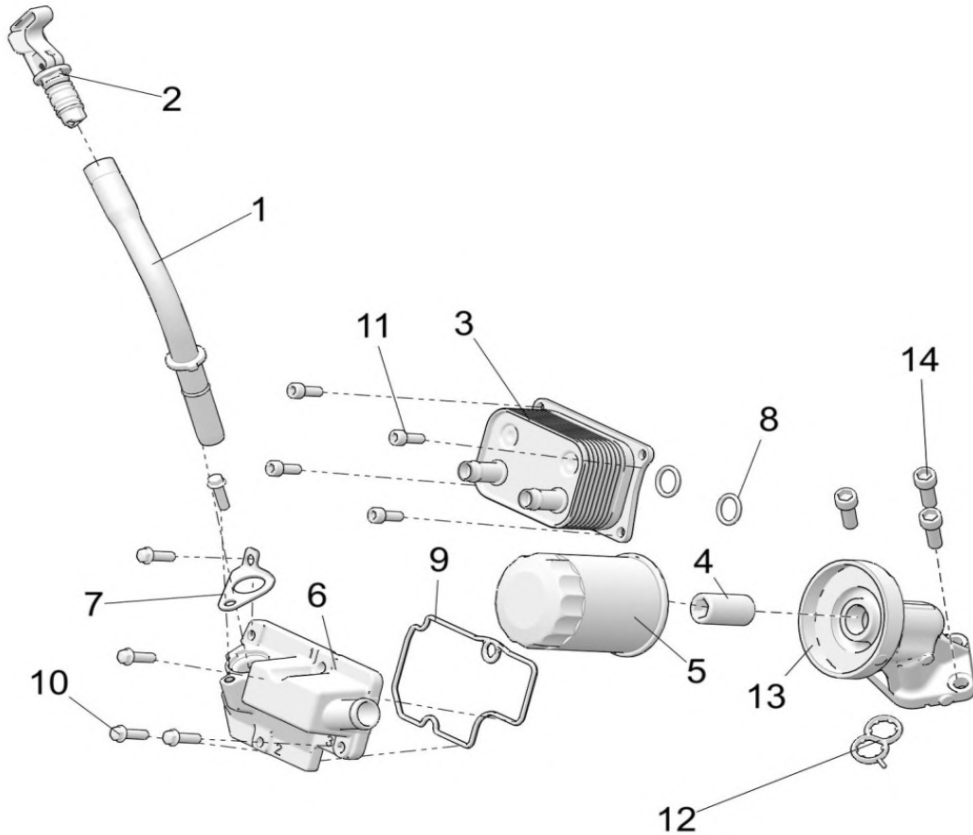
2022 RZR RZR XP 1000 PREMIUM (R02) - Z22NAK99AK/AR/BK/BR/NAV99AK/AR/BK/BR



POS	SAP	Part Name	Qty
18	1039873	TAPPET, VALVE, GRADED, 5.275	AR
18	1039874	TAPPET, VALVE, GRADED, 5.300	AR
18	1039875	TAPPET, VALVE, GRADED, 5.325	AR
18	1039876	TAPPET, VALVE, GRADED, 5.350	AR
18	1039877	TAPPET, VALVE, GRADED, 5.375	AR
18	1039878	TAPPET, VALVE, GRADED, 5.400	AR
18	1039879	TAPPET, VALVE, GRADED, 5.425	AR
18	1039880	TAPPET, VALVE, GRADED, 5.450	AR
19	1045260	SPRING, VALVE	8
20	1039631	KEEPER, VALVE	16
21	1040092	SCR-HXFL,M11X1.25X150 10.9 SEM	6
22	1014449	SCR-HXFLG,M6X1.0X90	2
23	1039764	SCR-M6X1.0X13,SL/HX/FL-Z,BLEED	1
24	1039801	WASHER-FLAT,6.15X12X1MM-AL	1

## ENGINE, DIPSTICK AND OIL FILTER

2022 RZR RZR XP 1000 PREMIUM (R02) - Z22NAK99AK/AR/BK/BR/NAV99AK/AR/BK/BR

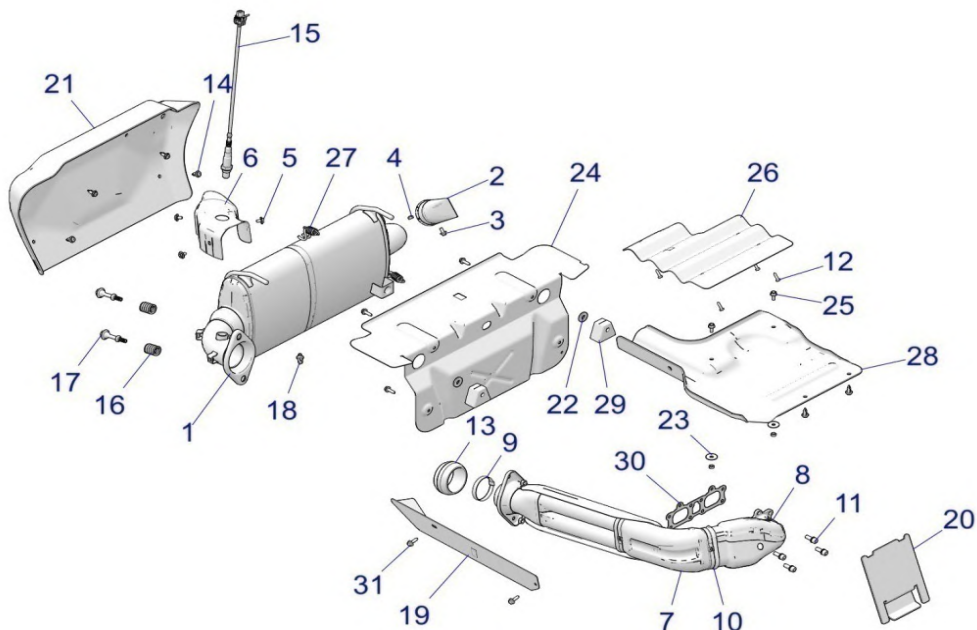


POS	SAP	Part Name	Qty
1	<a href="#">1039347</a>	ASM., OIL FILL TUBE [INCL. O-RING]	1
1	<a href="#">1039541</a>	O-RING, 12MMX2MM	1
2	<a href="#">1007016</a>	DIPSTICK, ENGINE OIL	1
3	<a href="#">1039352</a>	COOLER, OIL TO WATER, 7	1
4	<a href="#">1039385</a>	ADAPTER, FILTER, STRAIGHT	1
5	<a href="#">1006092</a>	Filter, Oil, 10 Micron	1
6	<a href="#">1045261</a>	COVER-BREATHER,MACH	1
7	<a href="#">1039511</a>	BRACKET, TUBE, OIL FILL, LOWER	1
8	<a href="#">1039540</a>	O-RING,.612X.818X.103	2
9	<a href="#">1012352</a>	SEAL, COVER, BREATHER	1
10	<a href="#">1039698</a>	SCREW-HXFL-M6X1.0X20 8.8 ZY3	5
11	<a href="#">1039747</a>	SCREW-SH-M6X1.0X16 8.8 ZPY D204	4
12	<a href="#">1045262</a>	SEAL-FILTER ADAPTER-3HOLE	1
13	<a href="#">1045263</a>	ADAPTER-OIL FILTER, MACH	1
14	<a href="#">1045264</a>	SCR-SH-M8X1.25X25 8.8 ZPC NYL	3



# ENGINE, EXHAUST SYSTEM

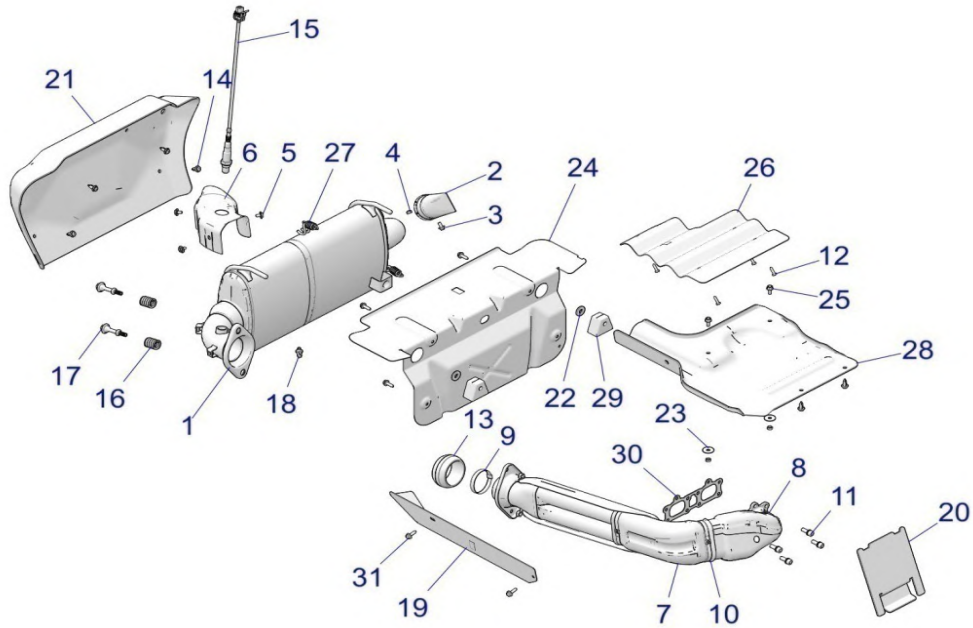
2022 RZR RZR XP 1000 PREMIUM (R02) - Z22NAK99AK/AR/BK/BR/NAV99AK/AR/BK/BR



POS	SAP	Part Name	Qty
1	<a href="#">1039355</a>	ASM-SILENCER [INCL. 2-6]	1
2	<a href="#">1039353</a>	WELD-SPARK ARRESTOR	1
3	<a href="#">1039661</a>	SCREW-HXFL-M6X1.0X12 10.9 ZPC	1
4	<a href="#">1039777</a>	NUT-HEXHD,M6,DIN980V,0600100	3
5	<a href="#">1014484</a>	SCR-HHSEMS-M6X1.0X10 A286,LOCK	3
6	<a href="#">1045265</a>	SHIELD-SILENCER INLET	1
7	<a href="#">1039354</a>	ASM., HEADPIPE [INCL. 8-10]	1
8	<a href="#">1039626</a>	CLAMP,HEAT SHIELD, EXHAUST ADD	1
9	<a href="#">1039632</a>	CLAMP, HEAT SHIELD, EXHAUST	2
10	<a href="#">1045266</a>	CLAMP-HEAT SHIELD,EXHAUST	3
11	<a href="#">1039711</a>	SCR-HXFL-M5X0.8X12 4.8 ZPC NYL	6
12	<a href="#">1045267</a>	SCR-10X 5/8 TX PN PLST-243	4
13	<a href="#">1008818</a>	GASKET, DOUBLE, SPHERICAL	1
14	<a href="#">1014589</a>	RIVET-TUFLOK,.315-.325X.787	6
15	<a href="#">1009569</a>	SENSOR, LAMBDA, LSF 4.2	1
16	<a href="#">1014011</a>	SPRING, SPHERICAL, EXHAUST	2
17	<a href="#">1014477</a>	STUD, SPHERICAL, EXHAUST	2
18	<a href="#">1014065</a>	CLIP-ROUTING	1
19	<a href="#">1039530</a>	SHIELD-FOIL,SIDE BOX,0.05"AL	1
20	<a href="#">1045268</a>	SHIELD, ACCESS PANEL	1
21	<a href="#">1012357</a>	SHIELD-REAR BUMPER	1
22	<a href="#">1045269</a>	WASHER-.406X1.00X.125,FL	2
23	<a href="#">1039803</a>	WASHER-.281X1.00X.051	2
24	<a href="#">1045270</a>	SHIELD-REAR,STAINLESS	1
25	<a href="#">1039700</a>	SCREW-HXFL-M6X1.0X16 8.8 ZPB	2
26	<a href="#">1039528</a>	SHIELD-FOIL,ACCESS PANEL	1
27	<a href="#">1013996</a>	SPRING, EXHAUST	2
28	<a href="#">1039602</a>	SHIELD-BOX,FRONT	1
29	<a href="#">1039569</a>	MOUNT, ISOLATOR	2

# ENGINE, EXHAUST SYSTEM

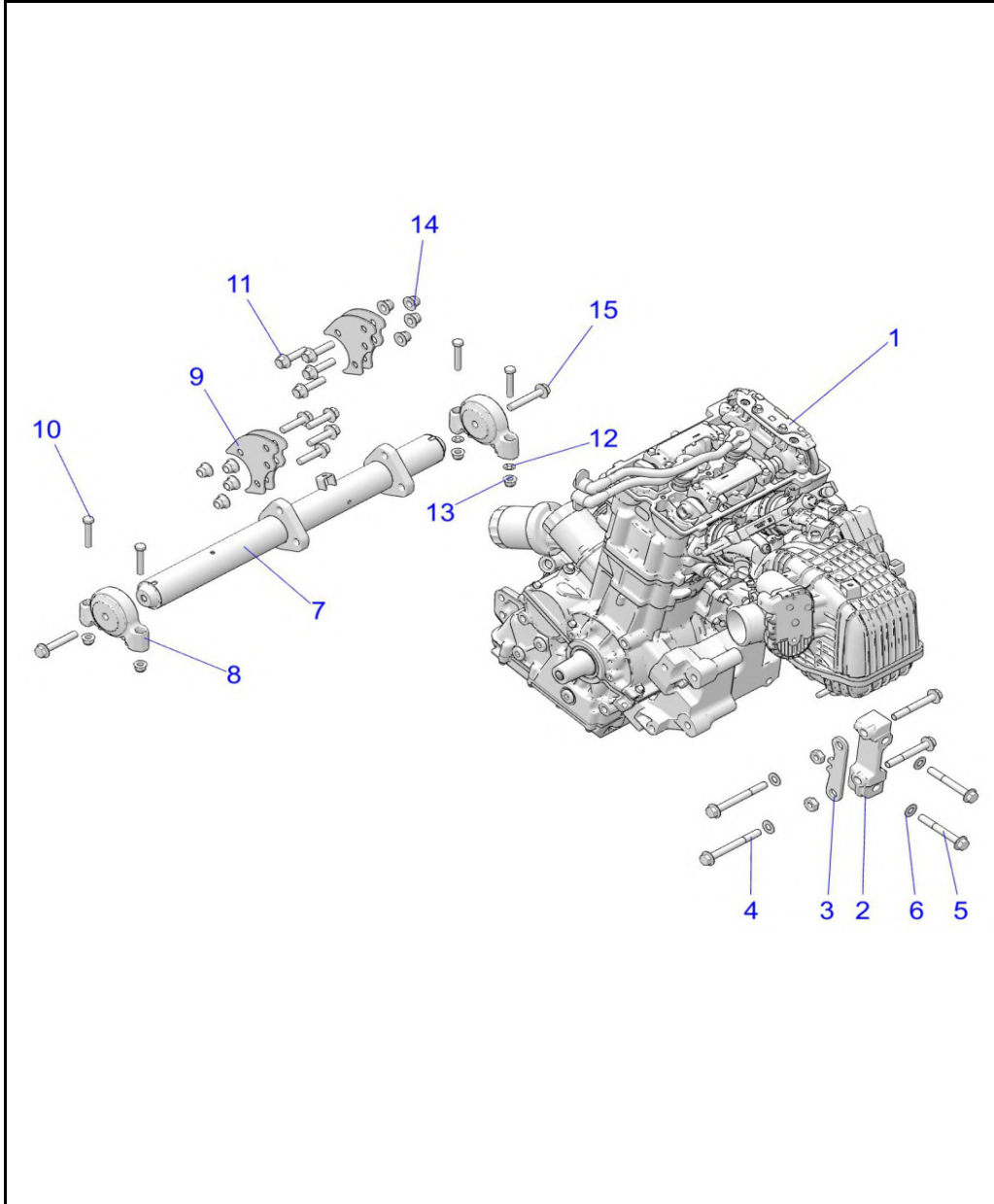
2022 RZR RZR XP 1000 PREMIUM (R02) - Z22NAK99AK/AR/BK/BR/NAV99AK/AR/BK/BR



POS	SAP	Part Name	Qty
30	<a href="#">1008814</a>	GASKET, EXHAUST SEAL	1
31	<a href="#">1039683</a>	SCR-M6X1.0X20, HXHD, FLG, TDFM, BK	6

# ENGINE, MOUNTING

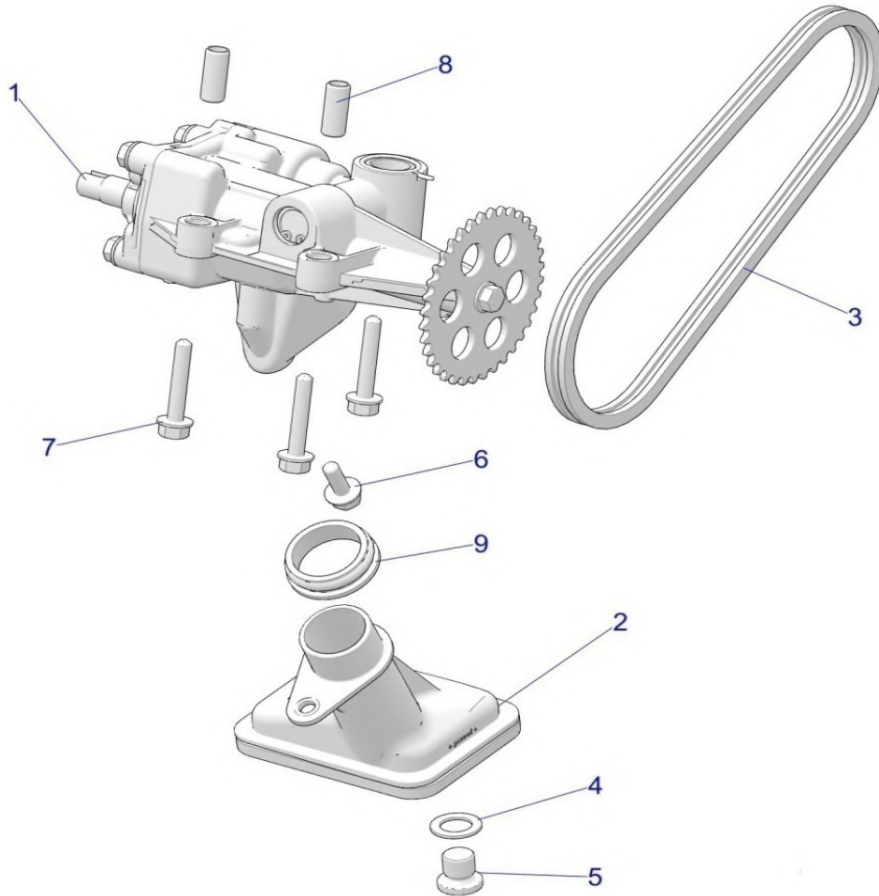
2022 RZR RZR XP 1000 PREMIUM (R02) - Z22NAK99AK/AR/BK/BR/NAV99AK/AR/BK/BR



POS	SAP	Part Name	Qty
1	<a href="#">1045271</a>	K-LONG BLOCK 999	1
2	<a href="#">1045272</a>	BRACKET, TRANSMISSION JOINT, MACH	1
3	<a href="#">1039526</a>	WELD-NUT, PLATE	1
4	<a href="#">1014442</a>	SCR-HXFL-M10X1.25X95 10.9 ZOD	2
5	<a href="#">1038235</a>	SCR-HXFL-M10X1.25X75 10.9 ZOD	4
6	<a href="#">1014520</a>	WASHER-3/8 FW SAE STL THRU-HRD	6
7	<a href="#">1045273</a>	WELD-MOUNT,ENGINE,E.COAT	1
8	<a href="#">1039356</a>	MOUNT, ISOLATOR, DRIVELINE	2
9	<a href="#">1039519</a>	BRACKET, MOUNT, ENGINE	4
10	<a href="#">1039723</a>	SCREW-HH M8X1.25X45 8.8 ZOD	4
11	<a href="#">1039751</a>	SCR-HXFL-M10X1.25X40 8.8 ZOD	8
12	<a href="#">1039776</a>	NUT-5/16-PAL-Y	4
13	<a href="#">1014499</a>	NUT- M8X1.25, FLG, NYLOC-OLIVE D	4
14	<a href="#">1014500</a>	NUT-M10X1.25, FLG, NYLOC-OLIVE D	8
15	<a href="#">1039707</a>	SCR-HXFL-M10X1.25X60 10.9 ZOD	2

## ENGINE, OIL PUMP

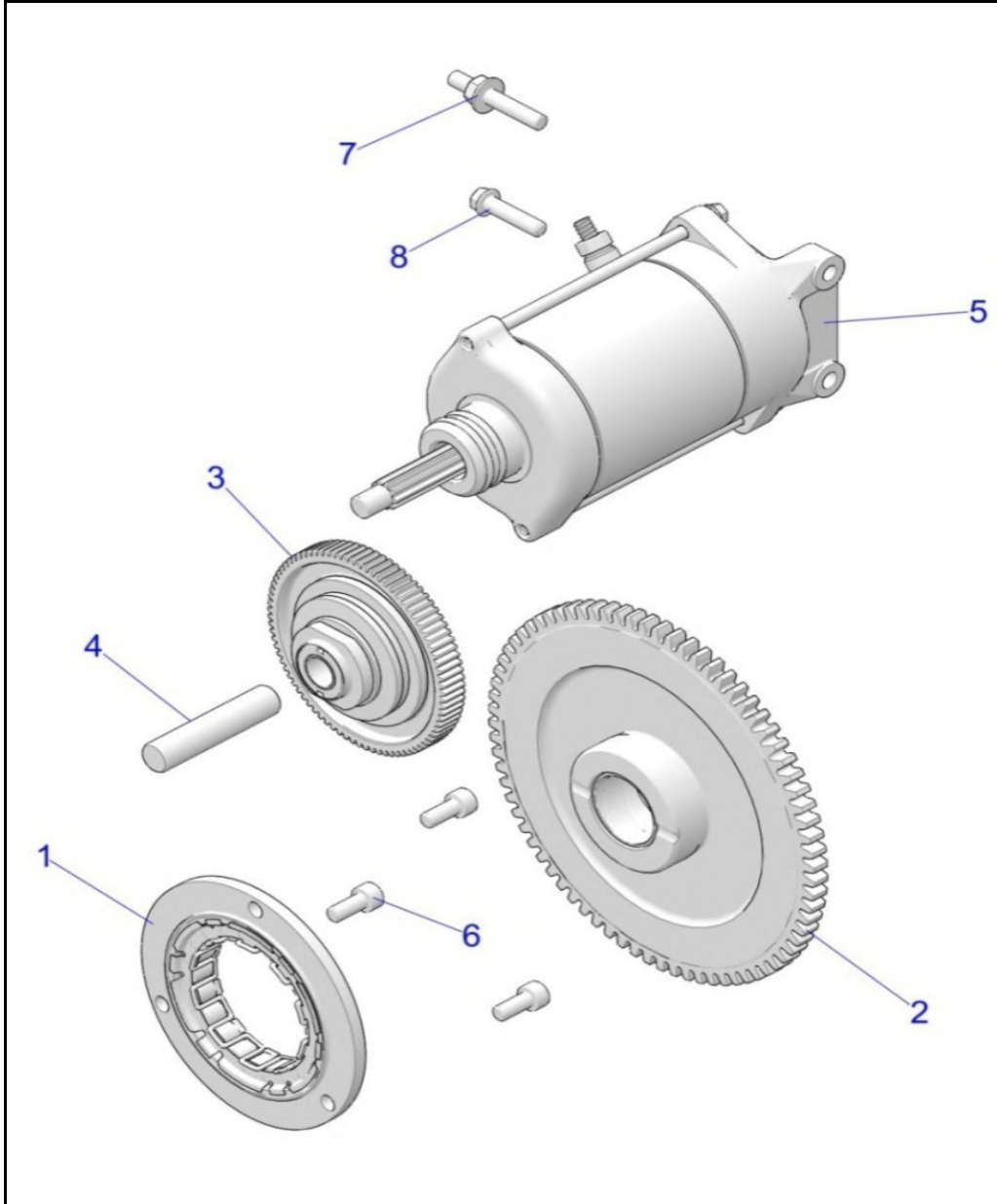
2022 RZR RZR XP 1000 PREMIUM (R02) - Z22NAK99AK/AR/BK/BR/NAV99AK/AR/BK/BR



POS	SAP	Part Name	Qty
1	<a href="#">1039414</a>	PUMP, OIL [INCL. O-RING]	1
1	<a href="#">1045274</a>	O-RING,OIL PUMP	1
2	<a href="#">1039386</a>	PICKUP, OIL PUMP, WET SUMP	1
3	<a href="#">1039418</a>	CHAIN-OIL PUMP DRIVE,G-90	1
4	<a href="#">1012351</a>	WASHER-19X12X1.3,COPPER	1
5	<a href="#">1014028</a>	PLUG-SOCKET,M12X1.5 DIN 908A	1
6	<a href="#">1039735</a>	SCR-HXFL-M6X1.0X16 8.8 ZYL NYL	1
7	<a href="#">1039660</a>	SCR-M6X1.0X35,HX/FL-Y/D	3
8	<a href="#">1039811</a>	DOWEL, HOLLOW, OIL PUMP	2
9	<a href="#">1039561</a>	SEAL-PICKUP	1

# ENGINE, STARTER

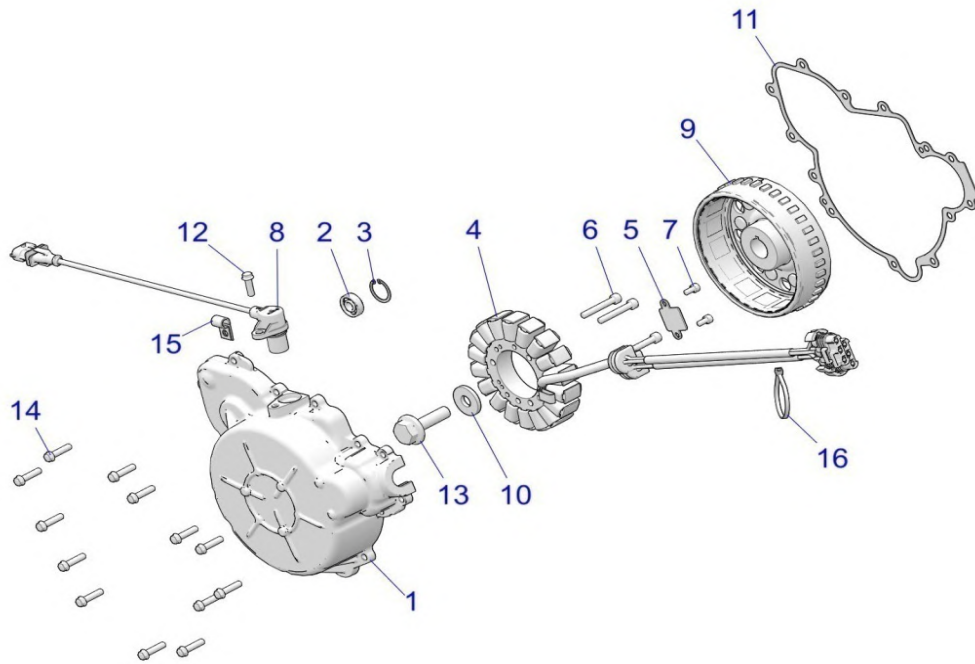
2022 RZR RZR XP 1000 PREMIUM (R02) - Z22NAK99AK/AR/BK/BR/NAV99AK/AR/BK/BR



POS	SAP	Part Name	Qty
1	<a href="#">1002291</a>	ASM., SPRAG CLUTCH, HUB, STARTER	1
2	<a href="#">1002282</a>	ASM., GEAR, STARTER , CRANK	1
3	<a href="#">1007014</a>	ASM., TORQUE LIMIT GEAR [TO 2/1/2022]	1
3	<a href="#">1045275</a>	ASM., TORQUE LIMIT GEAR [FROM 2/1/20221]	1
4	<a href="#">1007006</a>	PIN, TORQUE LIMIT GEAR	1
5	<a href="#">1009586</a>	STARTER, 9T, CW, ROT, SPACER	1
6	<a href="#">1014428</a>	SCREW-M6X1.0X14.0,HX/SOC/CP-Y/D	3
7	<a href="#">1039736</a>	STUD-DOUBLE,END,M6X1.0X25/10	1
8	<a href="#">1039744</a>	SCREW-HXFLG,M6X1.0X25,10.9	1

## ENGINE, STATOR AND FLYWHEEL

2022 RZR RZR XP 1000 PREMIUM (R02) - Z22NAK99AK/AR/BK/BR/NAV99AK/AR/BK/BR

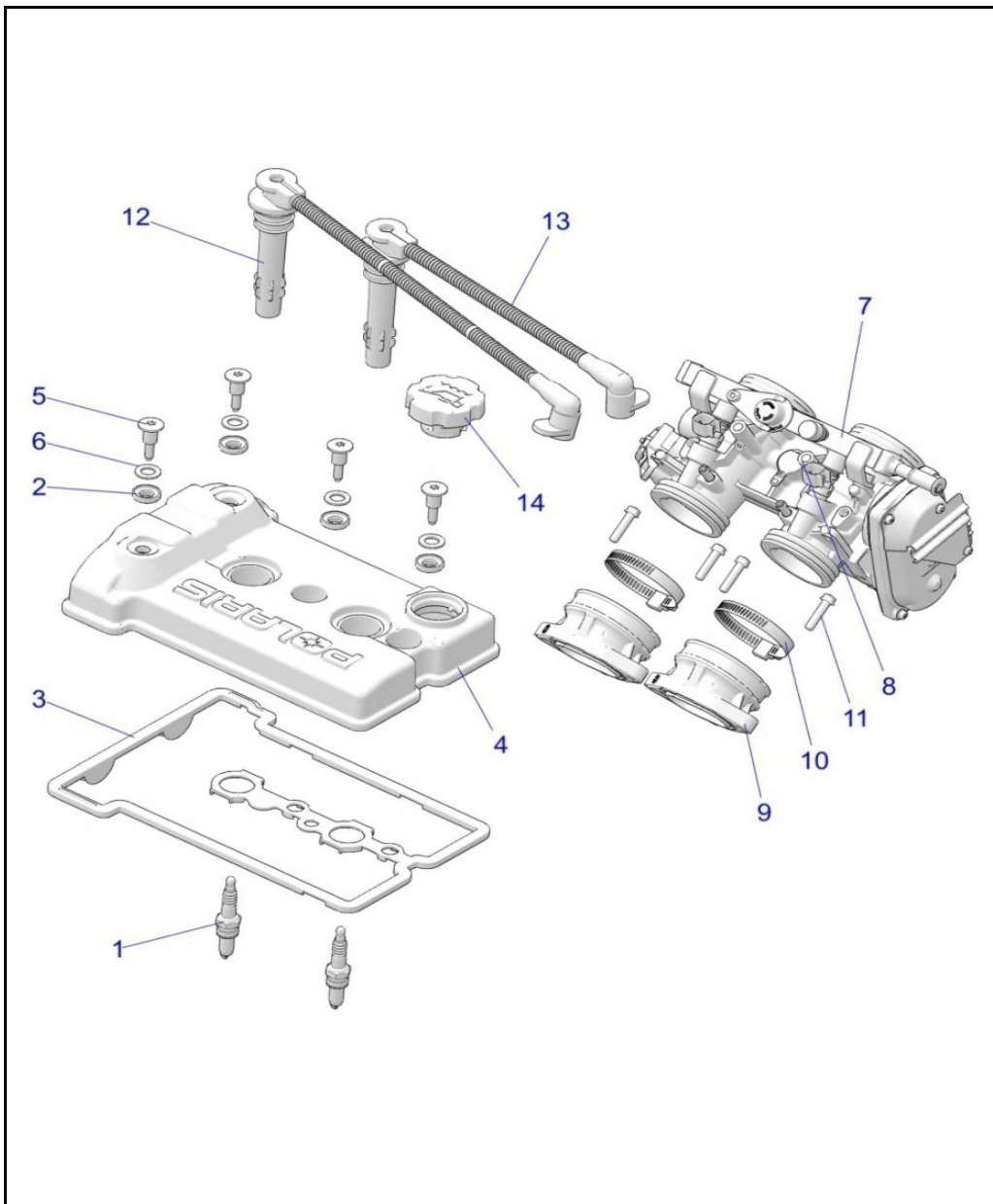


POS	SAP	Part Name	Qty
1	<a href="#">1045276</a>	ASM-IGN COVER,STARTER BRG [INCL. 2,3]	1
2	<a href="#">1039484</a>	BEARING-BALL,9X24X7	1
3	<a href="#">1039819</a>	RING-SNAP,DIN472,24X1.2MM	1
4	<a href="#">1009592</a>	STATOR	1
5	<a href="#">1039512</a>	BRACKET, RETAINER, WIRE	1
6	<a href="#">1039653</a>	SCR-M6X1.0X40,HX/SOC/CP-Y/D	3
7	<a href="#">1039665</a>	SCREW-M5X0.8X10 SOC/CP-D	2
8	<a href="#">1005829</a>	SENSOR, CRANK POSITION	1
9	<a href="#">1045277</a>	FLYWHEEL-660W	1
10	<a href="#">1014531</a>	WSHR-32X12X4,HARD	1
11	<a href="#">1012355</a>	GASKET, COVER, IGNITION	1
12	<a href="#">1039698</a>	SCREW-HXFL-M6X1.0X20 8.8 ZY3	1
13	<a href="#">1014481</a>	SCREW-HXFL-M12X1.25X43 12.9	1
14	<a href="#">1039744</a>	SCREW-HXFLG,M6X1.0X25,10.9	13
15	<a href="#">1039618</a>	CLAMP-HOSE,.312DIA,VINYL COAT	1
16	<a href="#">1014060</a>	CABLE-TIE,10-102MM,WEATH.-RES.	1



## ENGINE, THROTTLE BODY AND VALVE COVER

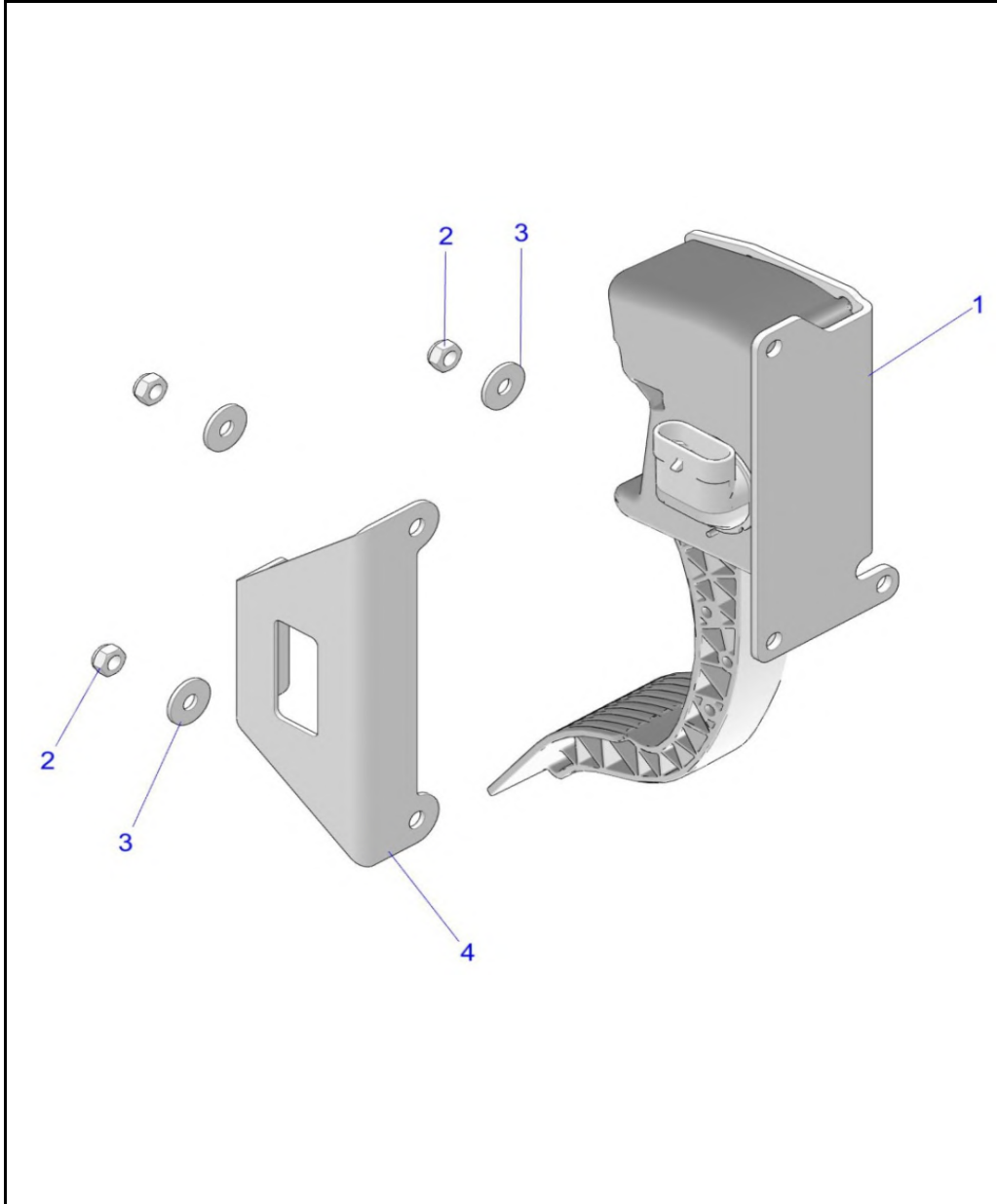
2022 RZR RZR XP 1000 PREMIUM (R02) - Z22NAK99AK/AR/BK/BR/NAV99AK/AR/BK/BR



POS	SAP	Part Name	Qty
1	<a href="#">1007009</a>	PLUG, SPARK, 10 MM	2
2	<a href="#">1011796</a>	ISOLATOR, VALVE COVER	4
3	<a href="#">1011807</a>	SEAL, VALVE COVER, 2CY	1
4	<a href="#">1045278</a>	COVER-VALVE,CAST,2CYL,DOHC	1
5	<a href="#">1039730</a>	SCREW-TXPH-M6X1.0X14 8.8 A2K SHB	4
6	<a href="#">1014530</a>	WASHER, GROUNDING	1
7	<a href="#">1039349</a>	ASM-THROTTLE BODY,DUAL ETC [INCL. CLIP,8][STD]	1
7	<a href="#">1045279</a>	ASM-THROTTLE BODY,DUALETC,EVAP [INCL. CLIP,8][EVAP]	1
7	<a href="#">1005828</a>	SENSOR, T-MAP, DSS3-TF	1
7	<a href="#">1045280</a>	RAIL-FUEL 999SRV	1
7	<a href="#">1045281</a>	BOLT, FUEL RAIL	2
7	<a href="#">1039416</a>	CLIP-INJECTOR	2
7	<a href="#">1045282</a>	SCR-SENSOR TMAP [NOT ILLUSTRATED]	1
8	<a href="#">1003392</a>	O-RING-BOSCH,EV-14,UPPER, BLUE	2
8	<a href="#">1039383</a>	INJ., EV 14 COMP, EXT [INCL. O-RING]	2
8	<a href="#">1045283</a>	O-RING GREEN, LOWER	2
9	<a href="#">1030114</a>	ASM., THROTTLE BODY ADAPTER	2
10	<a href="#">1039614</a>	CLAMP, BAND, NARROW	2
11	<a href="#">1039744</a>	SCREW-HXFLG,M6X1.0X25,10.9	4
12	<a href="#">1009603</a>	WIRE, SPARK PLUG, MAG	1
13	<a href="#">1009604</a>	WIRE, SPARK PLUG, PTO	1
14	<a href="#">1002289</a>	ASM., CAP, OIL FILL [INCL. O-RING]	1
14	<a href="#">1011803</a>	O-RING, OIL FILL CAP	1

## ENGINE, THROTTLE PEDAL

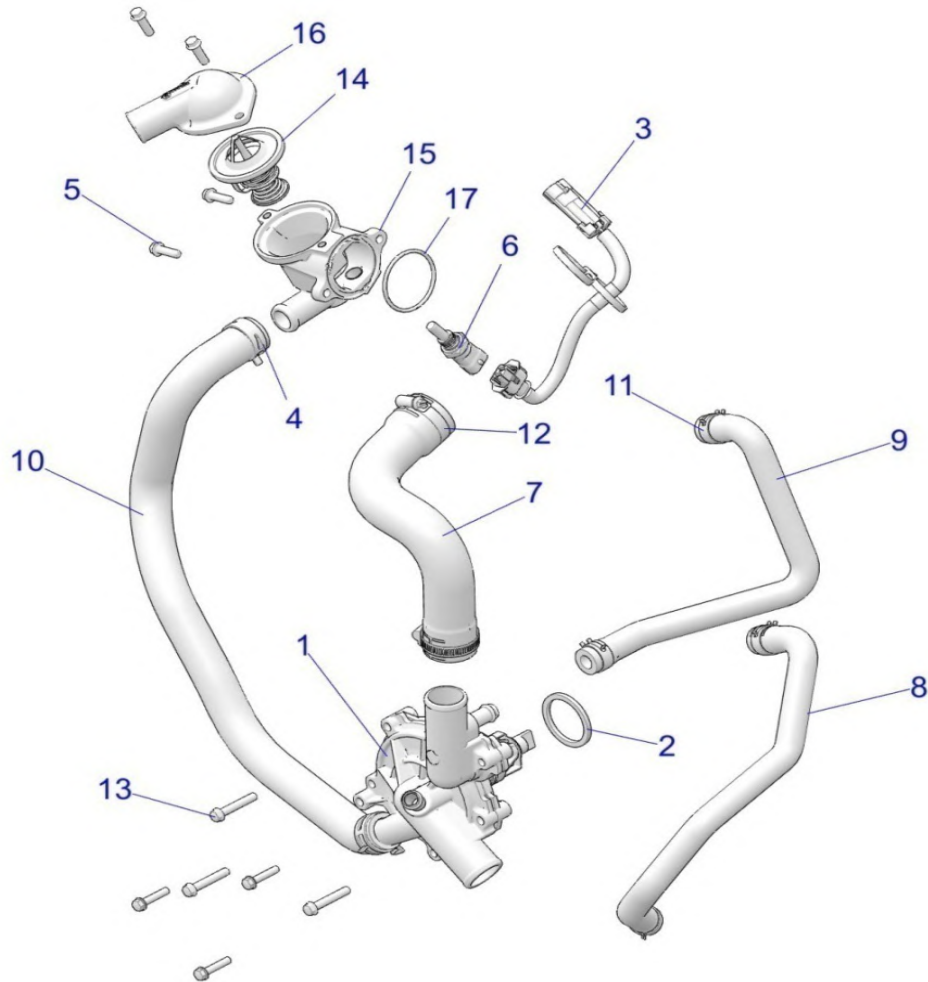
2022 RZR RZR XP 1000 PREMIUM (R02) - Z22NAK99AK/AR/BK/BR/NAV99AK/AR/BK/BR



POS	SAP	Part Name	Qty
1	<a href="#">1009578</a>	PEDAL, ELECTRONIC, THROTTLE	1
2	<a href="#">1039773</a>	NUT-6MM X 1 NYLOK-Z	3
2	<a href="#">1039773</a>	NUT-6MM X 1 NYLOK-Z	3
3	<a href="#">1039804</a>	WASHER-6.4X18.0X1.6 ZC	3
3	<a href="#">1039804</a>	WASHER-6.4X18.0X1.6 ZC	3
4	<a href="#">1039895</a>	PEDAL-BRACKET,M.BLK	1

## ENGINE, WATERPUMP AND BYPASS

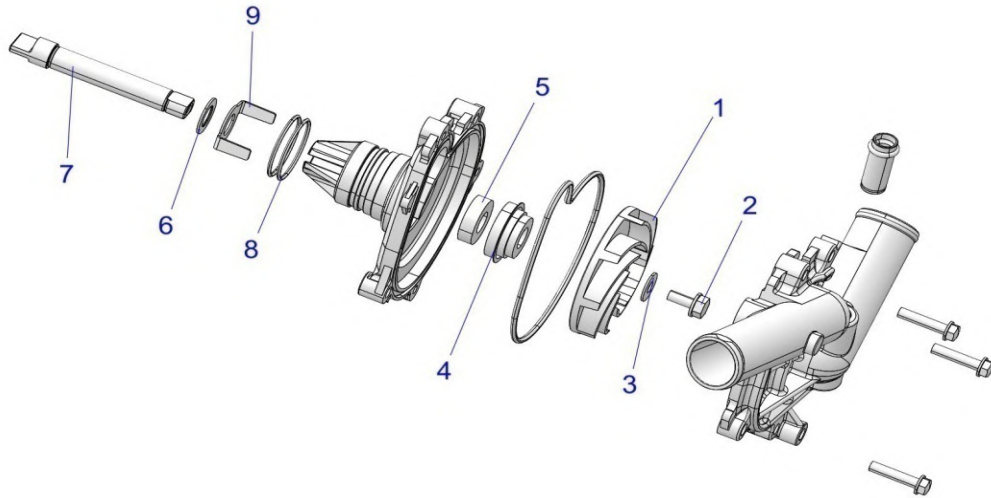
2022 RZR RZR XP 1000 PREMIUM (R02) - Z22NAK99AK/AR/BK/BR/NAV99AK/AR/BK/BR



POS	SAP	Part Name	Qty
1	<a href="#">1002290</a>	ASM, WATERPUMP	1
2	<a href="#">1039601</a>	FILTER, WATER PUMP	1
3	<a href="#">1039490</a>	WIRE, THERMISTER LEAD	1
4	<a href="#">1039637</a>	CLAMP, SPRINGBAND	2
5	<a href="#">1039698</a>	SCREW-HXFL-M6X1.0X20 8.8 ZY3	4
6	<a href="#">1009561</a>	SENSOR, THERMISTER	1
7	<a href="#">1045284</a>	HOSE, WATER PUMP OUT, FORMED	1
8	<a href="#">1045285</a>	HOSE, OIL COOLER OUTLET	1
9	<a href="#">1045286</a>	HOSE, OIL COOLER IN	1
10	<a href="#">1045287</a>	HOSE, BYPASS	1
11	<a href="#">1039625</a>	CLAMP-HOSE,SPRING .81	4
12	<a href="#">1039628</a>	CLAMP, HOSE (WORM DR) 25-40MM	2
13	<a href="#">1014452</a>	SCR-HXFL-M6X1.0X35, W/PATCHLOK	3
14	<a href="#">1014031</a>	THERMOSTAT, DOUBLE, ACTING, 1MM	1
15	<a href="#">1039503</a>	HOUSING, THERMOSTAT [TO 1/3/2022]	1
15	<a href="#">1045288</a>	HOUSING, THERMOSTAT [FROM 1/3/2022]	1
16	<a href="#">1039587</a>	COVER, THERMOSTAT, CAST	1
17	<a href="#">1045289</a>	O-RING	1

## ENGINE, WATERPUMP ASSEMBLY

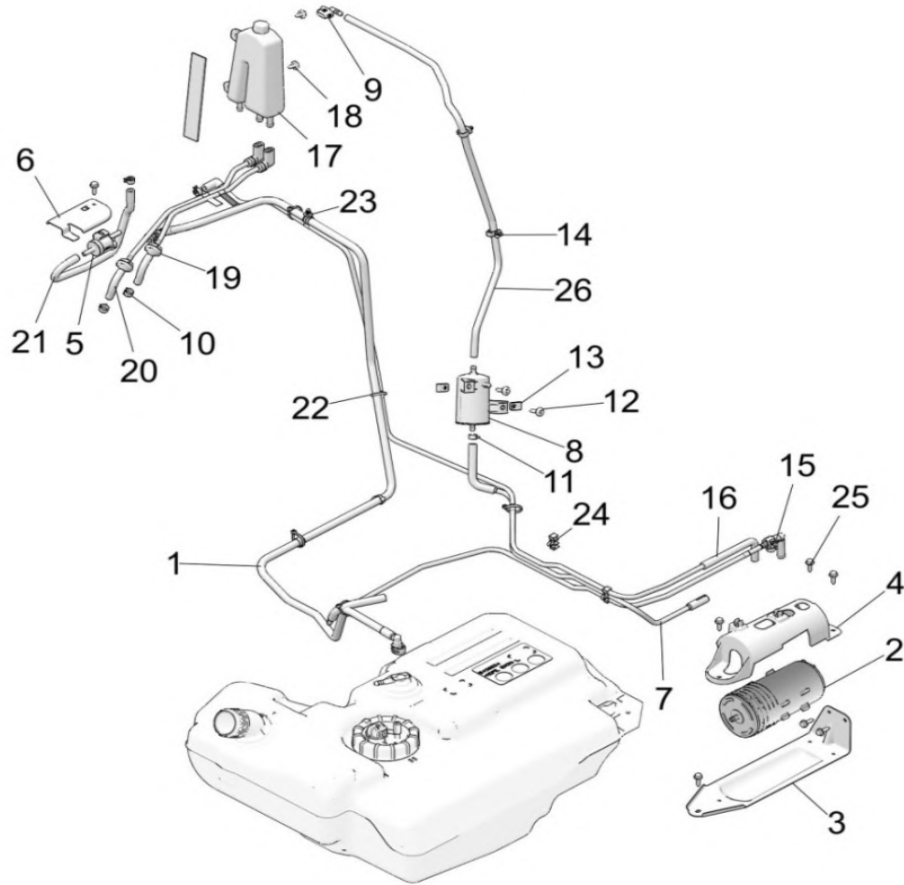
2022 RZR RZR XP 1000 PREMIUM (R02) - Z22NAK99AK/AR/BK/BR/NAV99AK/AR/BK/BR



POS	SAP	Part Name	Qty
1	<a href="#">5633651</a>	IMPELLER, WATERPUMP	1
2	<a href="#">7520485</a>	SCREW	1
3	<a href="#">7556978</a>	WASHER, IMPELLER	1
4	<a href="#">3610272</a>	SEAL, WATERPUMP SHAFT, MECHANICAL	1
5	<a href="#">3610273</a>	SEAL, WATERPUMP SHAFT, OIL	1
6	<a href="#">7556980</a>	WASHER, WATERPUMP, RETAINER	1
7	<a href="#">5140683</a>	SHAFT, WATERPUMP,	1
8	<a href="#">5415946</a>	O-RING	2
9	<a href="#">7556979</a>	WASHER, WATERPUMP,RETAINER	1

## FUEL SYSTEM, LINES, EVAP

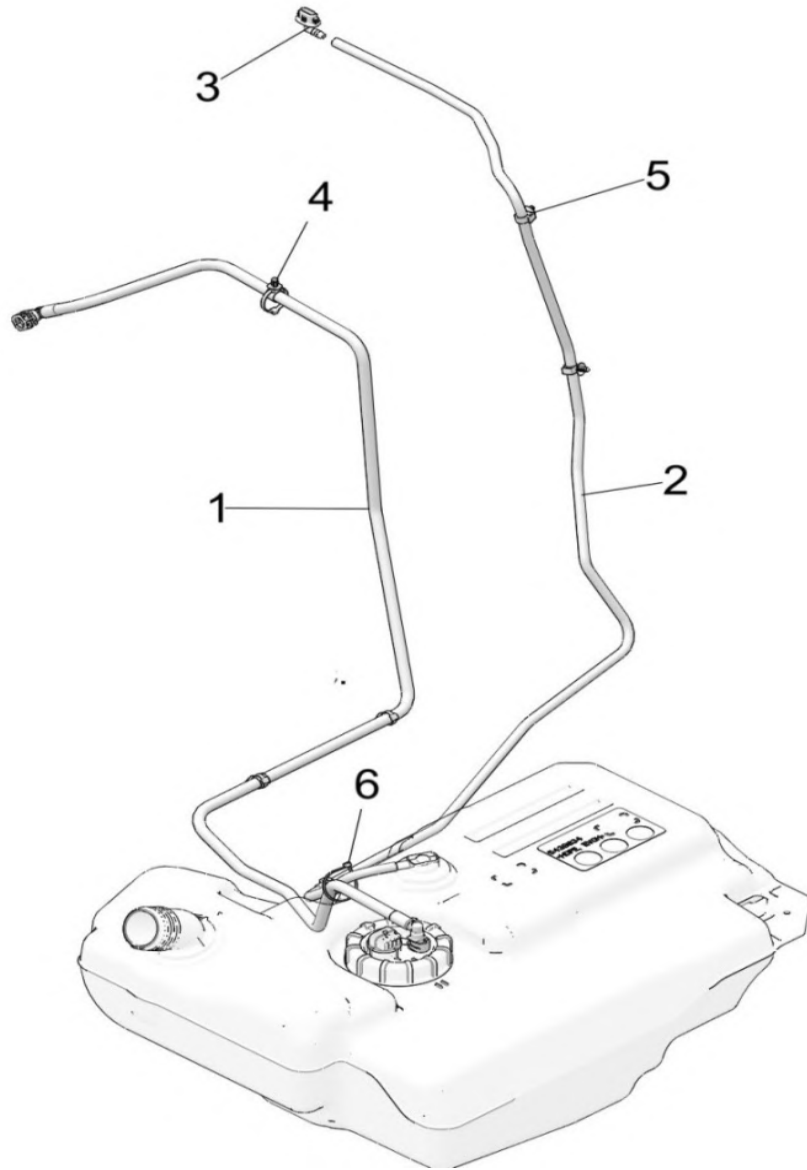
2022 RZR RZR XP 1000 PREMIUM (R02) - Z22NAK99AK/AR/BK/BR/NAV99AK/AR/BK/BR



POS	SAP	Part Name	Qty
1	<a href="#">1033111</a>	ASM-FUEL LINE	1
2	<a href="#">1045290</a>	CANISTER-ACTIVATED CARBON,BFL	1
3	<a href="#">1045291</a>	BRKT-MNT CANISTER,E-COAT	1
4	<a href="#">1045292</a>	BRKT-MNT CANISTER,BLK	1
5	<a href="#">1045293</a>	VALVE, PURGE	1
6	<a href="#">1045294</a>	BRKT-MNT PURGE VALVE,ECOAT	1
7	<a href="#">1045295</a>	ASM-LINE,VENT TO CANISTER	1
8	<a href="#">1045296</a>	FILTER-CANISTER VENT	1
9	<a href="#">1039581</a>	FITTING-VENT LINE,90	1
10	<a href="#">1045297</a>	Clamp, Hose, Red	3
11	<a href="#">1039630</a>	CLAMP-HOSE, (LARGE GREEN)	3
12	<a href="#">1014459</a>	SCR-TXTH-M6X1.0X25 ZFB	2
13	<a href="#">1014509</a>	NUT-M6-1.0, U-TYPE (2.5-3.8)	2
14	<a href="#">1039817</a>	CLIP, ROUTING, .472 B.D., HINGED	2
15	<a href="#">1045298</a>	ASM-LINE,TANK TO CANISTER	1
16	<a href="#">1045299</a>	ASM-LINE,CANISTER TO PURGE	1
17	<a href="#">1045300</a>	TANK-EXPANSION	1
18	<a href="#">1014437</a>	SCR-M6X1X16 TR/TX-M	2
19	<a href="#">1045301</a>	ASM-HOSE,CHAMBER TO TB,PTO	1
20	<a href="#">1045302</a>	ASM-HOSE,CHAMBER TO TB,MAG	1
21	<a href="#">1045303</a>	HOSE,PURGE TO CHAMBER	1
22	<a href="#">1014060</a>	CABLE-TIE,10-102MM,WEATH.-RES.	5
23	<a href="#">1014065</a>	CLIP-ROUTING	3
24	<a href="#">1045304</a>	CLIP-TRIPLE	2
25	<a href="#">1039683</a>	SCR-M6X1.0X20, HXHD, FLG, TDFM, BK	8
26	<a href="#">1045305</a>	FUEL LINE-90 CENTIMETERS	1

## FUEL SYSTEM, LINES, STD.

2022 RZR RZR XP 1000 PREMIUM (R02) - Z22NAK99AK/AR/BK/BR/NAV99AK/AR/BK/BR

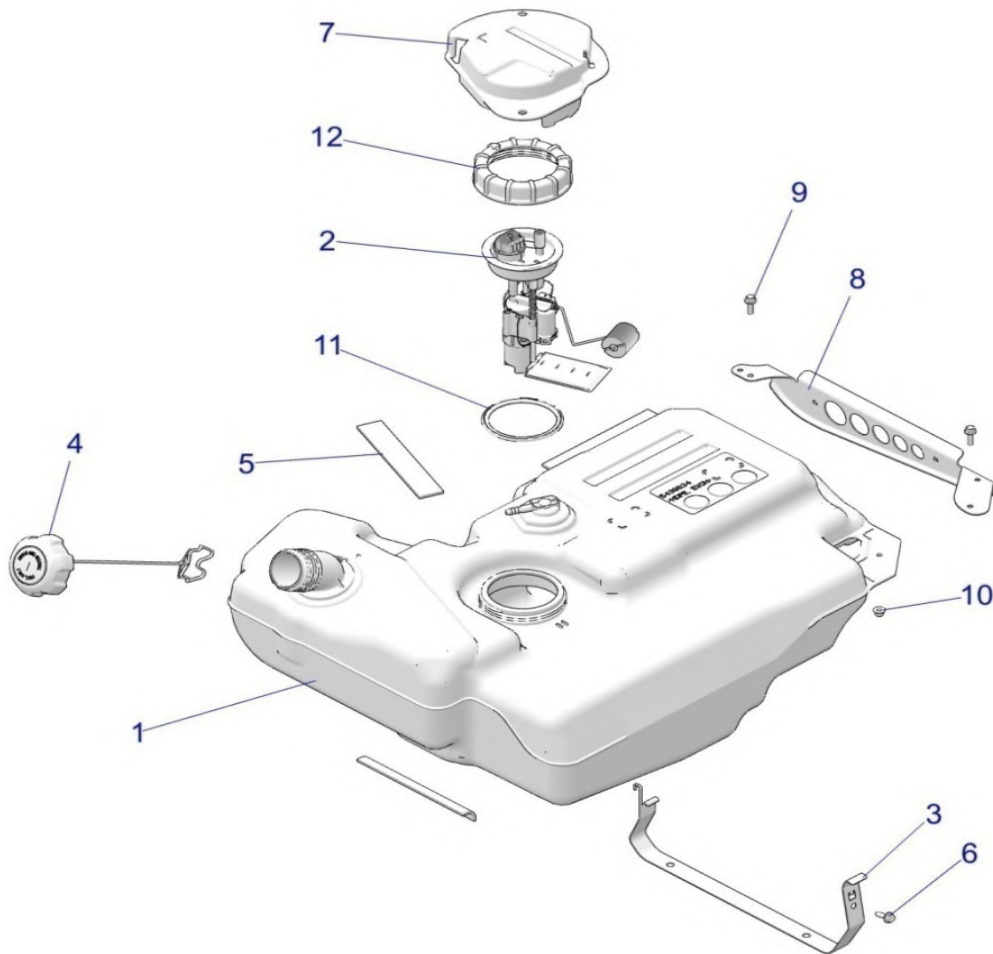


POS	SAP	Part Name	Qty
1	<a href="#">1033111</a>	ASM-FUEL LINE	1
2	<a href="#">1039387</a>	ASM-VENT LINE,180CM	1
3	<a href="#">1039581</a>	FITTING-VENT LINE,90	1
4	<a href="#">1014065</a>	CLIP-ROUTING	4
5	<a href="#">1039817</a>	CLIP, ROUTING, .472 B.D., HINGED	2
6	<a href="#">1014060</a>	CABLE-TIE,10-102MM,WEATH.-RES.	1



# FUEL SYSTEM, TANK

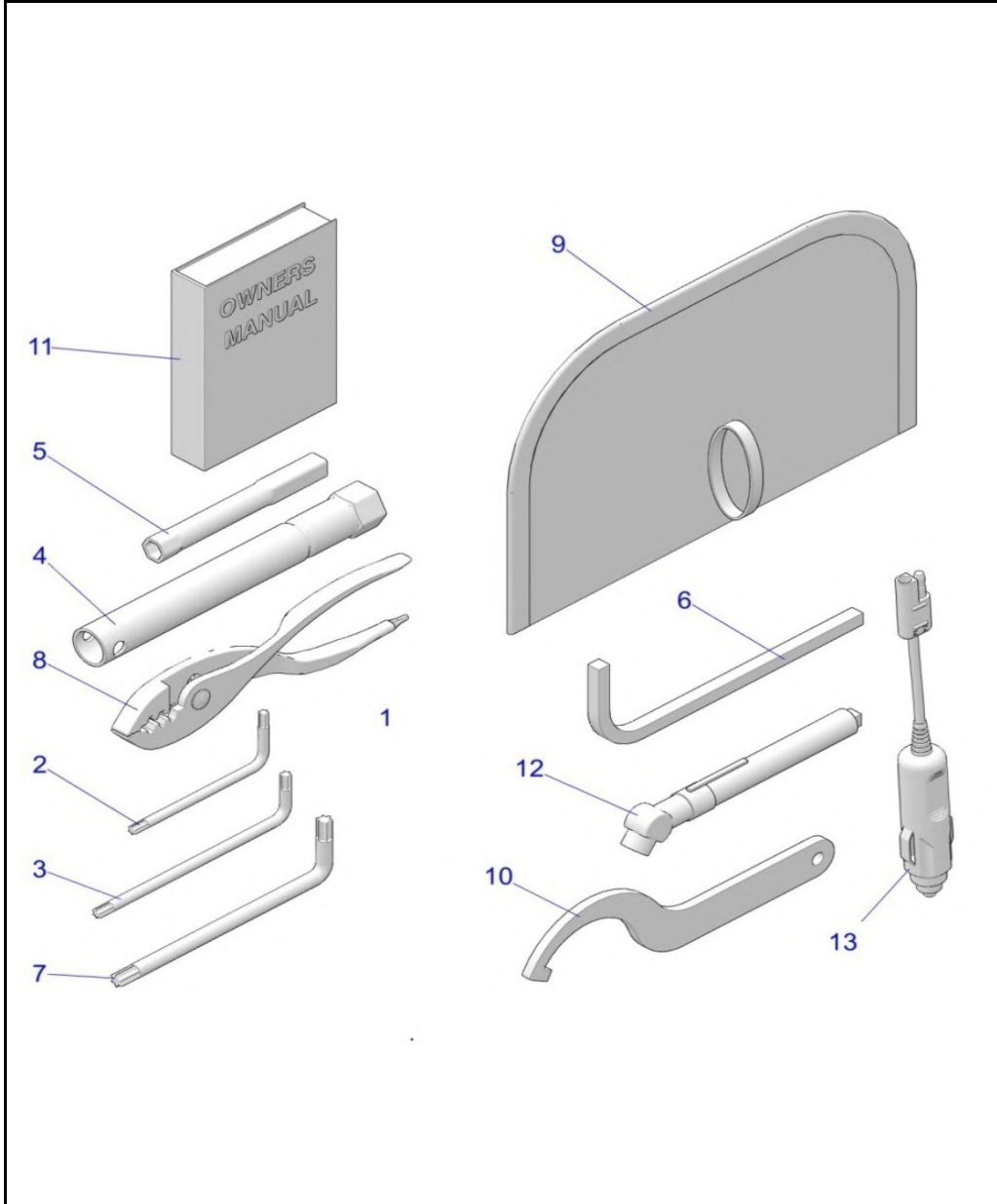
2022 RZR RZR XP 1000 PREMIUM (R02) - Z22NAK99AK/AR/BK/BR/NAV99AK/AR/BK/BR



POS	SAP	Part Name	Qty
1	<a href="#">1045306</a>	ASM-FUEL TANK,MIOP [INCL. 2]	1
2	<a href="#">1005159</a>	KIT, FUEL PUMP	1
3	<a href="#">1039887</a>	STRAP, FUEL TANK, BLACK	1
4	<a href="#">1045307</a>	CAP-GAS TANK,TETHER,8.5	1
5	<a href="#">1039594</a>	PAD-BATTERY	5
6	<a href="#">1039683</a>	SCR-M6X1.0X20, HXHD, FLG, TDFM, BK	1
7	<a href="#">1045308</a>	PANEL-ACCESS,TANK,BLK	1
8	<a href="#">1045309</a>	BRKT-MOUNT,RACK,BLK	1
9	<a href="#">1045310</a>	SCREW-HXFL, M6x1.0x20 8.8 ZPB	2
10	<a href="#">1014499</a>	NUT- M8X1.25, FLG, NYLOC-OLIVE D	2
11	<a href="#">1045311</a>	GASKET, PFA, RIBBED	1
12	<a href="#">1045312</a>	NUT, MASON JAR	1

## REFERENCE, OWNERS MANUAL AND TOOL KIT

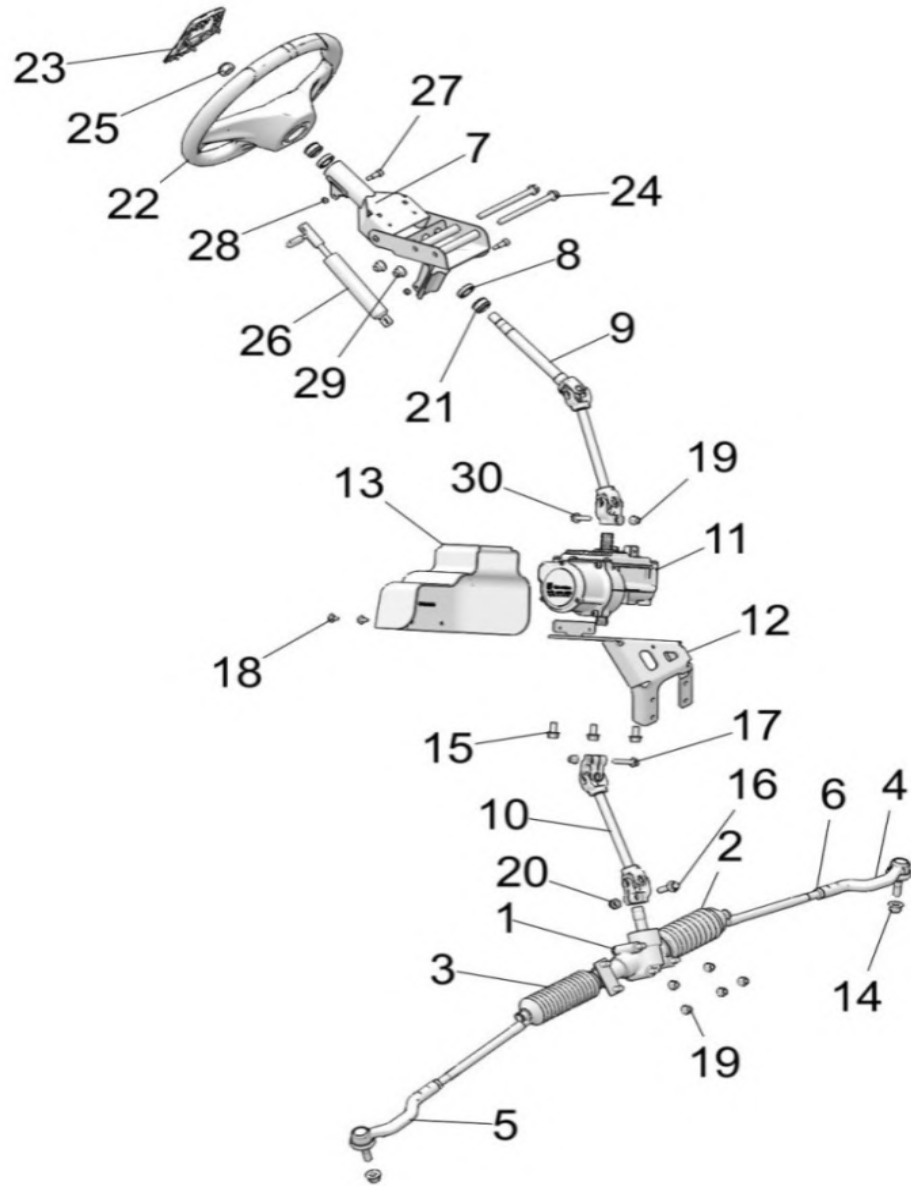
2022 RZR RZR XP 1000 PREMIUM (R02) - Z22NAK99AK/AR/BK/BR/NAV99AK/AR/BK/BR



POS	SAP	Part Name	Qty
1	<a href="#">1006632</a>	KIT, ACCESSORY TOOL RANGER [INCL. 2-6,10,11]	1
2	<a href="#">1039400</a>	WRENCH, TORX, T-25	1
3	<a href="#">1040163</a>	WRENCH, TORX, T-27	1
4	<a href="#">1040163</a>	SOCKET, SPARK PLUG	1
5	<a href="#">1040163</a>	DRIVER, NUT, 8MM	1
6	<a href="#">1040163</a>	HANDLE, LONG-NUT DRIVER, 8MM	1
7	<a href="#">1039403</a>	WRENCH, TORX, T-40	1
8	<a href="#">1039401</a>	PLIERS, COMBO, #2 ASSEMBLY	1
9	<a href="#">1039394</a>	POUCH, TOOL KIT, 9 INCH	1
10	<a href="#">1045313</a>	WRENCH, SPAN/SPREADER, BLACK	1
11	<a href="#">1045314</a>	MAN-OWN, 22 RZR XP 1000	1
11	<a href="#">1045315</a>	MAN-OWN, RIDE COM 7" DSPLY ORV [RIDE COMMAND ONLY]	1
12	<a href="#">1039402</a>	GAUGE, TIRE PRESSURE, 30 PSI	1
13	<a href="#">1045316</a>	HARN-12 VOLT POWER PLUG [NOT ILLUSTRATED]	1

# STEERING, POWER STEERING ASM.

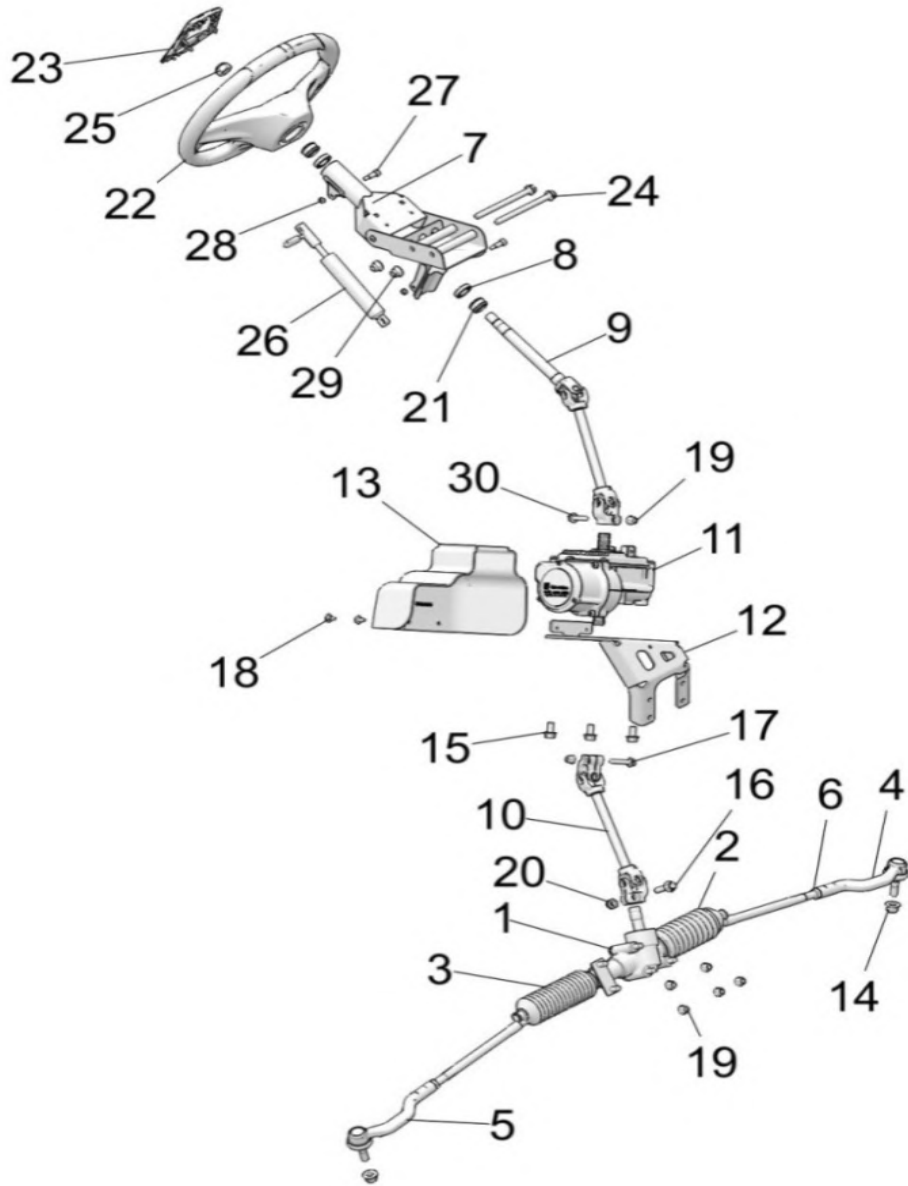
2022 RZR RZR XP 1000 PREMIUM (R02) - Z22NAK99AK/AR/BK/BR/NAV99AK/AR/BK/BR



POS	SAP	Part Name	Qty
1	<a href="#">1004104</a>	ASM-GEAR BOX,STEERING [INCL. 2-6]	1
2	<a href="#">1011814</a>	BOOT-PASSENGER,SIDE K	1
3	<a href="#">1011815</a>	BOOT-PASSENGER,SIDE K	1
4	<a href="#">1014045</a>	ROD-END,TAPERED,PROFILED,LH	2
5	<a href="#">1014046</a>	ROD-END,TAPERED,PROFILED,RH	2
6	<a href="#">1045317</a>	K, LOCK NUT	2
7	<a href="#">1039831</a>	ASM., TILT, STEERING, RIVETED, M10, MATTE BLACK [INCL. 8]	1
8	<a href="#">1040467</a>	BEARING, STEERING	2
9	<a href="#">1045318</a>	SHAFT-STEERING,UPPER	1
10	<a href="#">1045319</a>	SHAFT-STEERING,LWR,W/JNT	1
11	<a href="#">1045320</a>	ASM-POWER STEERING,RZR,1.5T	1
12	<a href="#">1045321</a>	MOUNT-EPS,ECOAT	1
13	<a href="#">1039562</a>	COVER, EPS	1
14	<a href="#">1014501</a>	NUT-M12X1.5, FLG, NYLOC-OLIVE D	2
15	<a href="#">1039690</a>	BOLT-M10X1.25X20,HXFLG-OLV D	3
16	<a href="#">1045322</a>	SCR-HXFL-M10X1.5X40 10.9 ZPC	1
17	<a href="#">1045323</a>	SCR-M8X1.25X40 10.9 HX/FL ZOD	1
18	<a href="#">1039720</a>	SCR-TXTH-M6X1.0X15 ZPB TAP	2
19	<a href="#">1014499</a>	NUT- M8X1.25, FLG, NYLOC-OLIVE D	7
19	<a href="#">1014499</a>	NUT- M8X1.25, FLG, NYLOC-OLIVE D	7
20	<a href="#">1039786</a>	NUT-NY INS,M10X1.5,HEX,ZINC,YW	1
21	<a href="#">1014528</a>	BUSHING-STEERING	2
22	<a href="#">1004100</a>	WHEEL, STEERING	1
23	<a href="#">1045324</a>	CAP, STEERING WHEEL, VELOCITY BLUE [AK][BK]	1
23	<a href="#">1011891</a>	CAP, STEERING WHEEL, LIME SQUEEZE [AR][BR]	1
24	<a href="#">1039703</a>	BOLT-M10X1.25X130,HXFLG-OLIVED	2
25	<a href="#">1039791</a>	NUT-HEX-M16X2, 8 ZC NYL	1
26	<a href="#">1014004</a>	ASM., SHOCK, OIL LOCKING , MACH	1
27	<a href="#">1039761</a>	BOLT-SHOULDER,M8-15,M6X1.0-BLK	2

## STEERING, POWER STEERING ASM.

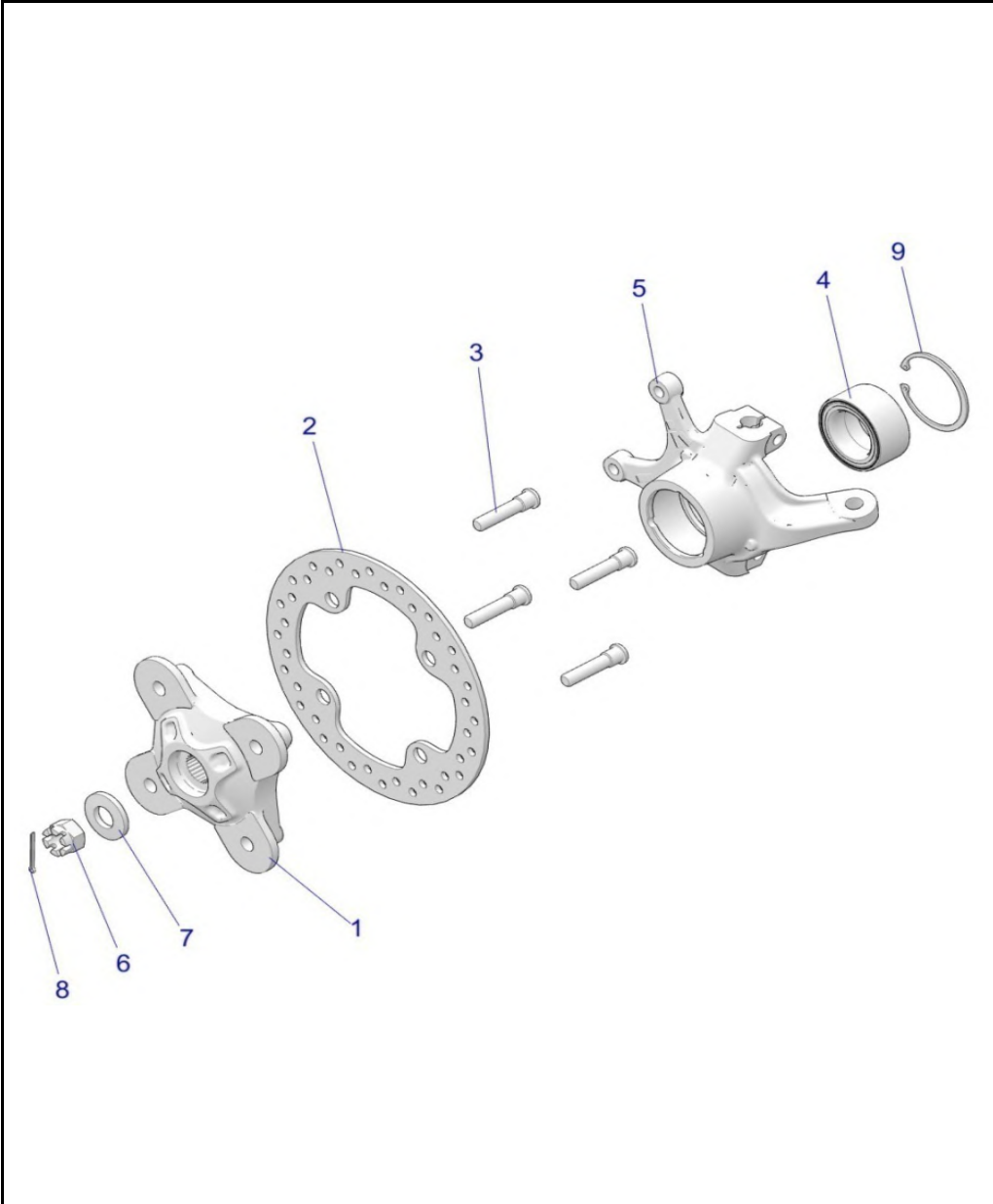
2022 RZR RZR XP 1000 PREMIUM (R02) - Z22NAK99AK/AR/BK/BR/NAV99AK/AR/BK/BR



POS	SAP	Part Name	Qty
28	<a href="#">1039773</a>	NUT-6MM X 1 NYLOK-Z	2
29	<a href="#">1014500</a>	NUT-M10X1.25, FLG, NYLOC-OLIVE D	2
30	<a href="#">1039716</a>	SCR-HXFL-M8X1.25X35 8.8 ZODv	1

## SUSPENSION, FRONT CARRIER

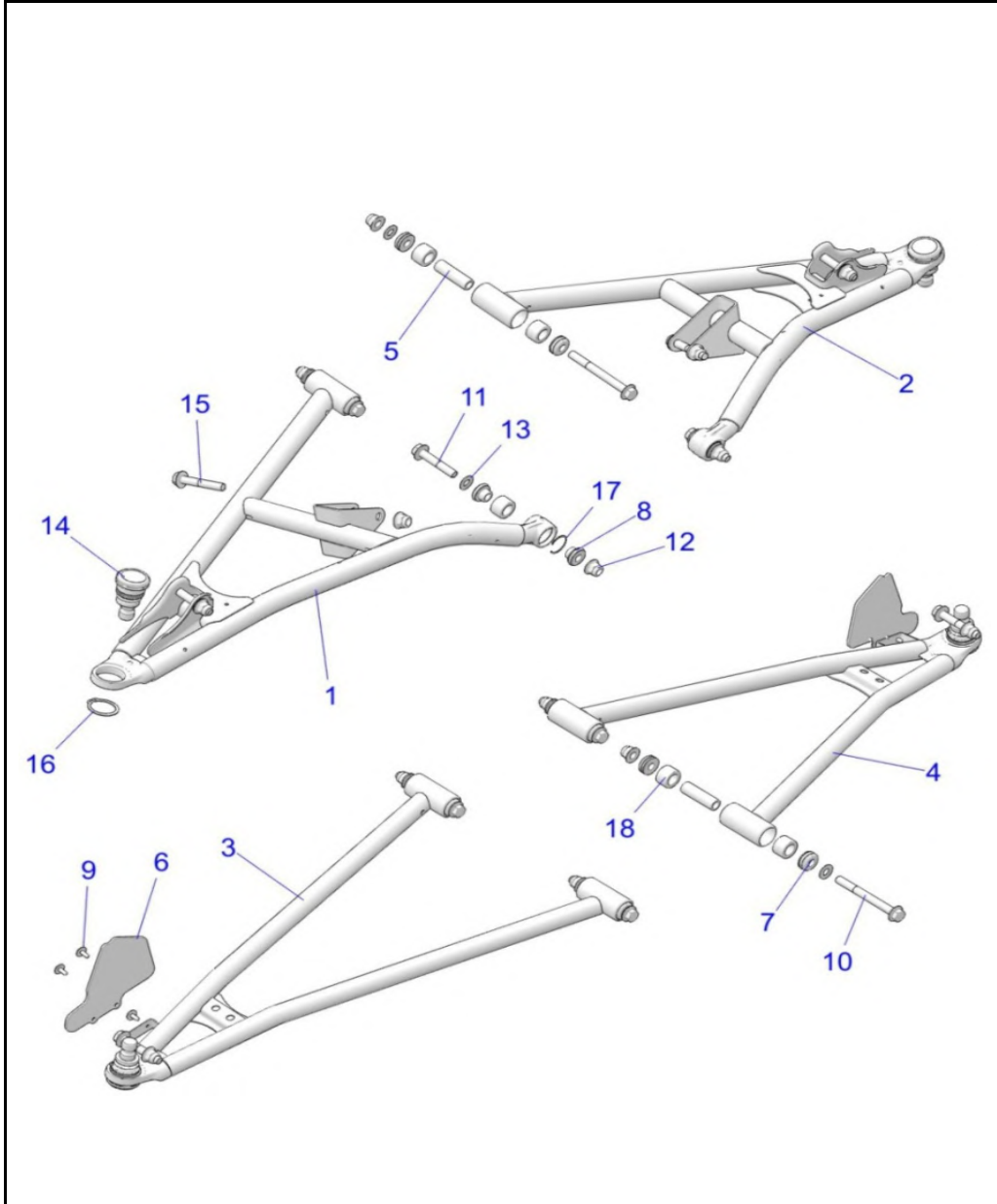
2022 RZR RZR XP 1000 PREMIUM (R02) - Z22NAK99AK/AR/BK/BR/NAV99AK/AR/BK/BR



POS	SAP	Part Name	Qty
1	<a href="#">1011265</a>	HUB-WHEEL(MACH),BLK	2
2	<a href="#">1011487</a>	DISC, BRAKE	2
3	<a href="#">1014465</a>	STUD-WHEEL,M12-1.5	8
4	<a href="#">1008451</a>	BEARING-BALL,SEALED,44X72X33.1	2
4	<a href="#">1008460</a>	BEARING-BALL,SEALED,44X72X33.1 (HEAVY DUTY) [OPTIONAL]	2
5	<a href="#">1045325</a>	KNUCKLE-FRONT,LH(MACH)	1
5	<a href="#">1045326</a>	KNUCKLE-FRONT,RH(MACH)	1
6	<a href="#">1014502</a>	NUT-M18X1.5,CASTLE,ZINC/YELLOW	2
7	<a href="#">1045351</a>	WSHR-BLVL,19X42X4.5-5.08	2
8	<a href="#">1014587</a>	PIN-COTTER 1/8X1 1/2-Y	2
9	<a href="#">1014626</a>	RING, RETAINING, 2.835, INTERNAL	2

## SUSPENSION, FRONT CONTROL ARMS

2022 RZR RZR XP 1000 PREMIUM (R02) - Z22NAK99AK/AR/BK/BR/NAV99AK/AR/BK/BR

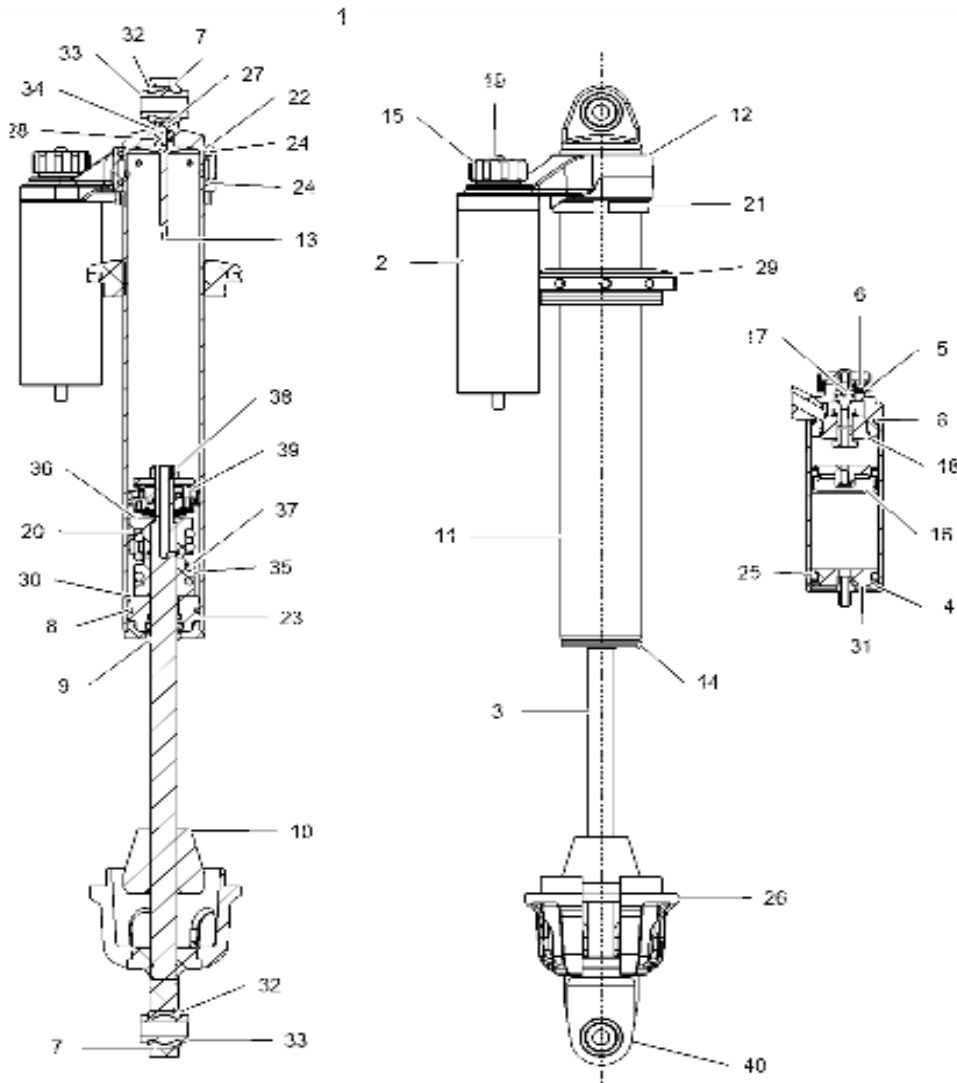


POS	SAP	Part Name	Qty
1	1045328	WELD-CTRL ARM,UPR,FR,LH,64,VBL [AK][BK]	1
1	1045329	WELD-CTRL ARM,UPR,FR,LH,64,RED [AR][BR]	1
2	1045330	WELD-CTRL ARM,UPR,FR,RH,64,VBL [AK][BK]	1
2	1045331	WELD-CTRL ARM,UPR,FR,RH,64,RED [AR][BR]	1
3	1045332	WELD-CTRL ARM,LWR,FR,LH,64,VBL [AK][BK]	1
3	1045333	WELD-CTRL ARM,LWR,FR,LH,64,RED [AR][BR]	1
4	1045334	WELD-CTRL ARM,LWR,FR,RH,64,VBL [AK][BK]	1
4	1045335	WELD-CTRL ARM,LWR,FR,RH,64,RED [AR][BR]	1
5	1011216	SHAFT-PIVOT,SHORT,M10	6
6	1011843	SHIELD, CV, FRONT, BLACK	2
7	1003526	ASM-PIVOT CAP, SEALED, M10	12
8	1003528	ASM-PIVOT CAP,SEALED,SLIM,M10	4
9	1039657	SCR-10-24X1/2, PHTXTRIRD, SEMS-Y	4
10	1014442	SCR-HXFL-M10X1.25X95 10.9 ZOD	6
11	1014453	SCR-HXFL-M10X1.25X55 10.9 ZOD	2
12	1014500	NUT-M10X1.25, FLG, NYLOC-OLIVE D	12
13	1014520	WASHER-3/8 FW SAE STL THRU-HRD	8
14	1037103	BALL-JOINT,HARDENED,HI-MISALGN	4
15	1014454	SCR-HXFL-M10X1.25X60 10.9 ZOD	4
16	1014625	RING-RTG,DSH-33ST	4
17	1014628	28MM SPIRAL RING,STEEL	2
18	1011925	BUSHING-STANDARD, SUSP, M10	14



# SUSPENSION, FRONT SHOCK INTERNALS

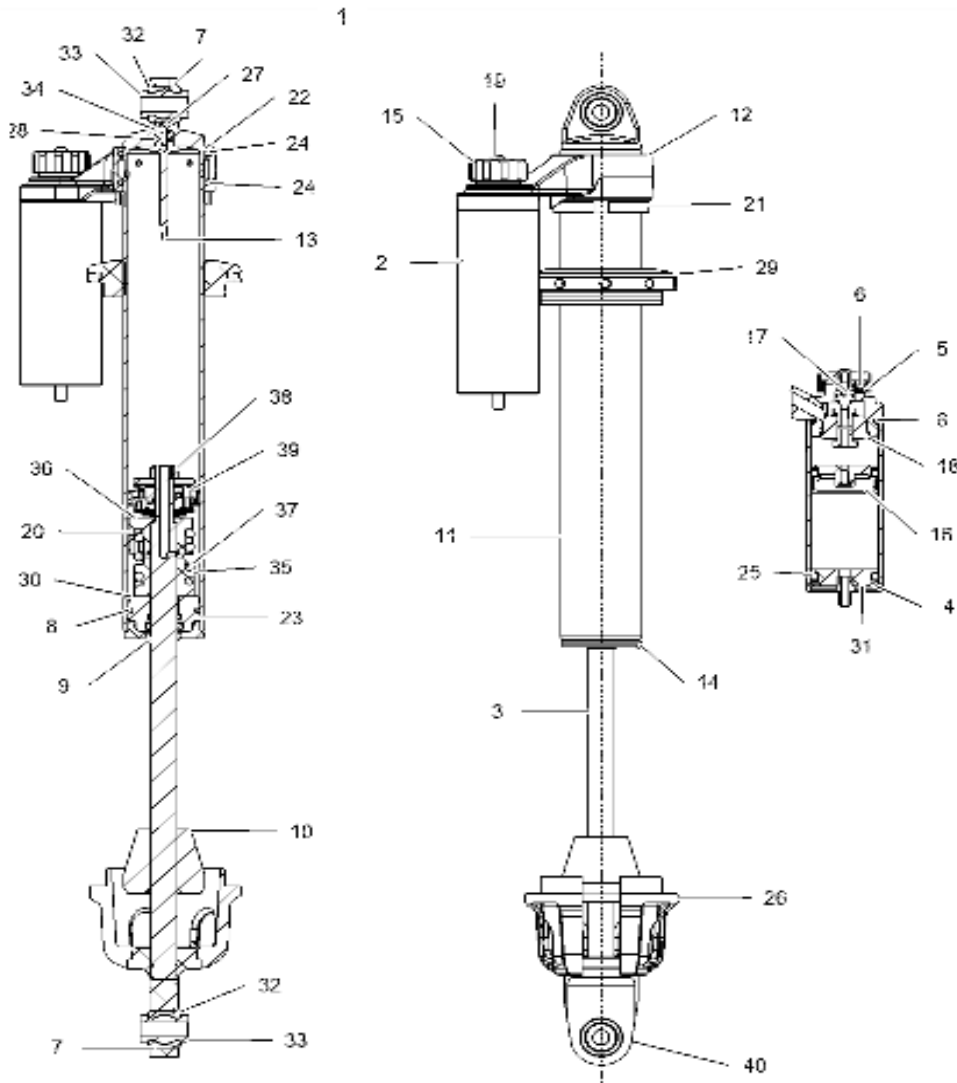
2022 RZR RZR XP 1000 PREMIUM (R02) - Z22NAK99AK/AR/BK/BR/NAV99AK/AR/BK/BR



POS	SAP	Part Name	Qty
1	<a href="#">1045343</a>	SHOCK-FRONT,RZRXP,PIGGYBK,LH [INCL. ALL]	1
1	<a href="#">1045344</a>	SHOCK-FRONT,RZRXP,PIGGYBK,RH [INCL. ALL]	1
2	<a href="#">1040519</a>	RES BODY, 2.0", 5.0L (ANODIZE HARD CLEAR)	1
3	<a href="#">1040163</a>	SHAFT, .625 CHROME NEEDLE 13.957L .144 BLEED X1	1
4	<a href="#">1040499</a>	SNAP RING, 1.75" ID	1
5	<a href="#">1040506</a>	BALL, DETENT 3/16"	1
6	<a href="#">1040507</a>	Spring, D-Tent	1
7	<a href="#">1040509</a>	RING, SNAP, END BEARING	4
7	<a href="#">1040509</a>	RING, SNAP, END BEARING	4
8	<a href="#">1004047</a>	O-Ring, Body Loop	2
8	<a href="#">1004047</a>	O-Ring, Body Loop	2
9	<a href="#">1040496</a>	WIPER, 5/8" D/TYPE- BLK	1
10	<a href="#">1004073</a>	Bump Stop, MCU, 2.00Dia x 1.75L (ISC 140174-N)	1
11	<a href="#">1045338</a>	BODY, MONOTUBE CO, 2.0 x 14.285L Hard CLEAR	1
12	<a href="#">1045339</a>	BRIDGE, WIDE 2.0 WER ADJUSTER (CLEAR)	1
13	<a href="#">1040163</a>	NEEDLE, IPC, PRESS IN	1
14	<a href="#">1040512</a>	CAP, WIPER 2.0 PRESS IN (CLEAR ANODIZE)	1
15	<a href="#">1040503</a>	KNOB,CLICKER BLK (1000604)	1
16	<a href="#">1040501</a>	IFP PISTON ASM 1.750, W- BLEED	1
17	<a href="#">1040502</a>	ASM-CLICKER STUD 404613	1
18	<a href="#">1040163</a>	ASM. CLICKER PISTON	1
19	<a href="#">1040504</a>	SCREW, 10X5/8 BTN SS (500603)	1
20	<a href="#">1040163</a>	8-32 X .125L SET SCREW CUP POINT	3
21	<a href="#">1040510</a>	JAMB NUT, 2.0IN ACME (CLEAR)	1
22	<a href="#">1040498</a>	RING-RETAINING 1520119	1
23	<a href="#">1004065</a>	RETAINING RING WIRE 0.0625 X 1.750ID	1
24	<a href="#">1040495</a>	O-RING, 2-226 1600018	2
24	<a href="#">1040495</a>	O-RING, 2-226 1600018	2
25	<a href="#">1040500</a>	O-RING, 2-324	1

# SUSPENSION, FRONT SHOCK INTERNALS

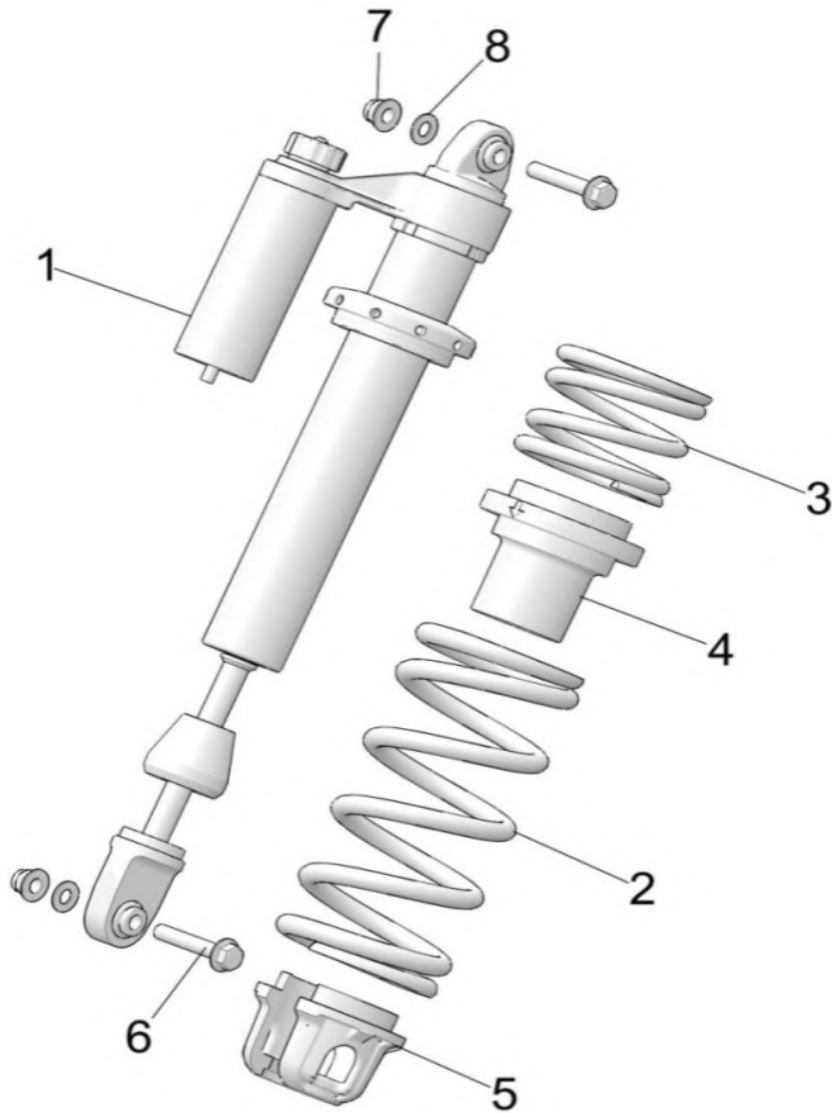
2022 RZR RZR XP 1000 PREMIUM (R02) - Z22NAK99AK/AR/BK/BR/NAV99AK/AR/BK/BR



POS	SAP	Part Name	Qty
26	<a href="#">1039590</a>	Spring Retainer Supplied by Polaris	2
27	<a href="#">1040493</a>	#8-32 X .500 LOW HEAD SCREW	1
28	<a href="#">1040494</a>	O-RING, 2-108 1600026	1
29	<a href="#">1004074</a>	SPRING NUT-2" CLEAR 1620014-AC	1
30	<a href="#">1004075</a>	ASM. SEAL HEAD, 2.0, PRESS- IN, STD SEALS	1
31	<a href="#">1040516</a>	ASM. END CAP 2in (CLEAR)	1
32	<a href="#">1004067</a>	O-RING 2-312 1000312	4
32	<a href="#">1004067</a>	O-RING 2-312 1000312	4
33	<a href="#">1004066</a>	BEARING-HKFS8T-10MM 1600130	2
33	<a href="#">1004066</a>	BEARING-HKFS8T-10MM 1600130	2
34	<a href="#">1040163</a>	5mm ID x 2mm thk. O-RING	1
35	<a href="#">1040163</a>	SPACER	1
36	<a href="#">1045340</a>	DROOP SPACER W NEG SPRING	1
37	<a href="#">1040163</a>	SPRING, 500LB	1
38	<a href="#">1040163</a>	LOCK NUT 7/16 X 20 RAW	1
39	<a href="#">1045341</a>	2 PC PISTON ASM INTERLOCKING (WITH OUT VALVING)	1
40	<a href="#">1045342</a>	EXT SHAFTLOOP .625THD 1IN BEARING	1

## SUSPENSION, FRONT SHOCK MOUNTING

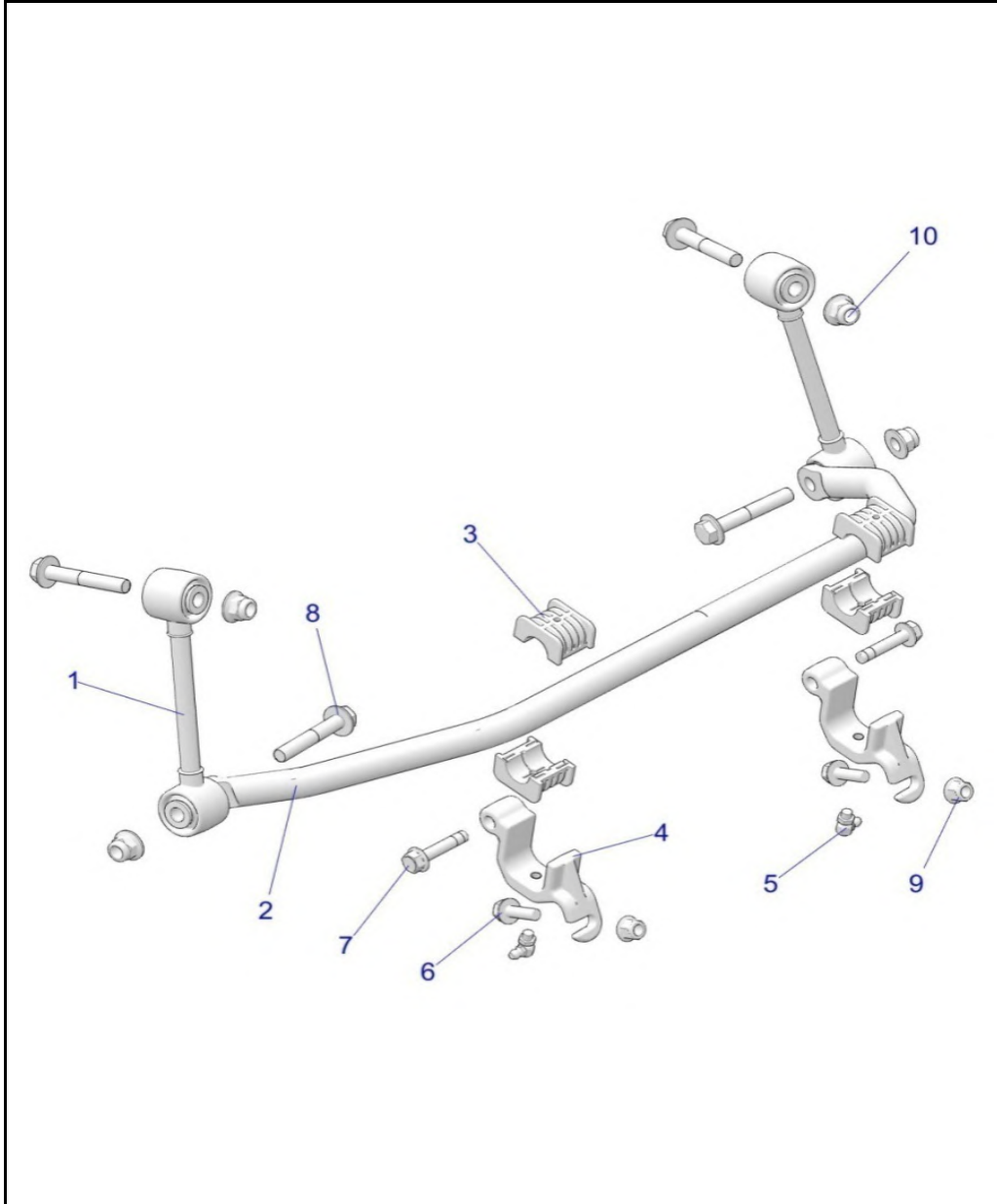
2022 RZR RZR XP 1000 PREMIUM (R02) - Z22NAK99AK/AR/BK/BR/NAV99AK/AR/BK/BR



POS	SAP	Part Name	Qty
1	<a href="#">1045343</a>	SHOCK-FRONT,RZRXP,PIGGYBK,LH	1
1	<a href="#">1045344</a>	SHOCK-FRONT,RZRXP,PIGGYBK,RH	1
2	<a href="#">1045345</a>	SPR-260,12.75FL,3.04ID,T.SILV [AK][BK]	2
2	<a href="#">1045346</a>	SPR-260,12.75FL,3.04-3.04 ID,W [AR][BR]	2
3	<a href="#">1045347</a>	SPR-300,3.75FL,3.04ID,T.SILVER [AK][BK]	2
3	<a href="#">1045348</a>	SPR-300-PROG,3.75FL,3.04ID,WHT [AR][BR]	2
4	<a href="#">1039572</a>	SPACER-SPRING,2.0"	2
5	<a href="#">1045349</a>	Spring Retainer Supplied by Polaris	2
6	<a href="#">1014453</a>	SCR-HXFL-M10X1.25X55 10.9 ZOD	4
7	<a href="#">1014500</a>	NUT-M10X1.25, FLG, NYLOC-OLIVE D	4
8	<a href="#">1014520</a>	WASHER-3/8 FW SAE STL THRU-HRD	4

## SUSPENSION, FRONT STABILIZER BAR

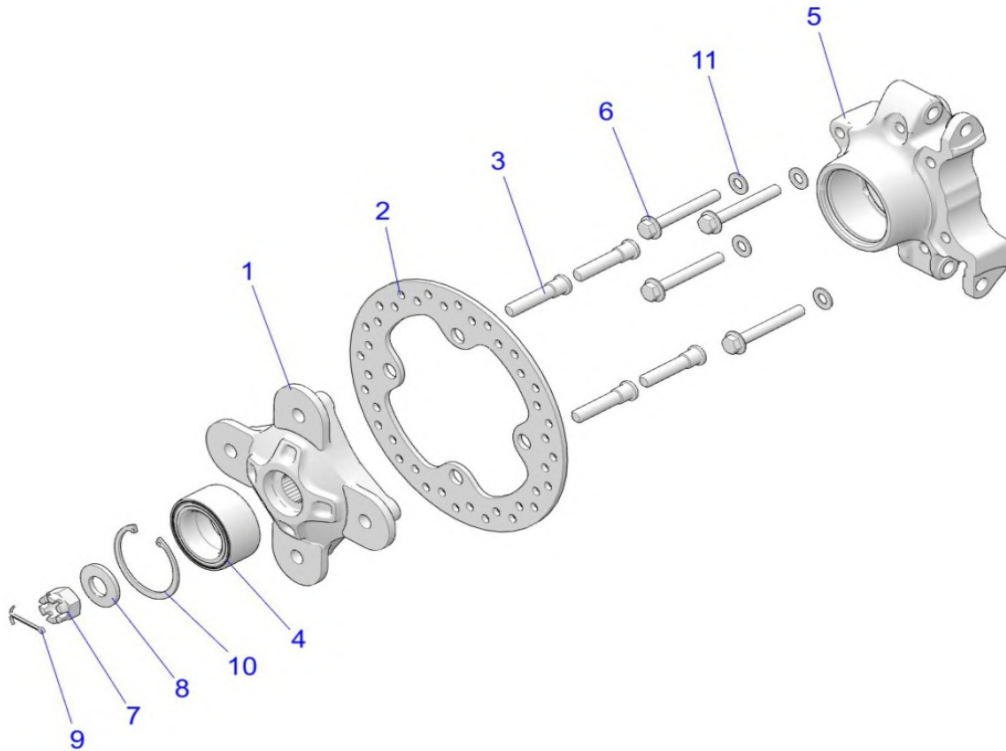
2022 RZR RZR XP 1000 PREMIUM (R02) - Z22NAK99AK/AR/BK/BR/NAV99AK/AR/BK/BR



POS	SAP	Part Name	Qty
1	<a href="#">1003532</a>	ASM-LINK STABILIZER BAR,157MM	2
2	<a href="#">1011689</a>	BAR, STABILIZER	1
3	<a href="#">1011927</a>	BUSHING, SWAY BAR	4
4	<a href="#">1045350</a>	BRACKET, CAST, SWAY BAR	2
5	<a href="#">1039616</a>	FITTING-ZERK.25 S/TAP90D-3054B	2
6	<a href="#">1040479</a>	SCR-HXFL-M8X1.25X25 8.8 ZODP30	2
7	<a href="#">1040480</a>	SCR-HXFL-M8X1.25X40 8.8 ZODP30	2
8	<a href="#">1014454</a>	SCR-HXFL-M10X1.25X60 10.9 ZOD	4
9	<a href="#">1014499</a>	NUT- M8X1.25, FLG, NYLOC-OLIVE D	2
10	<a href="#">1014500</a>	NUT-M10X1.25, FLG, NYLOC-OLIVE D	4

## SUSPENSION, REAR CARRIER

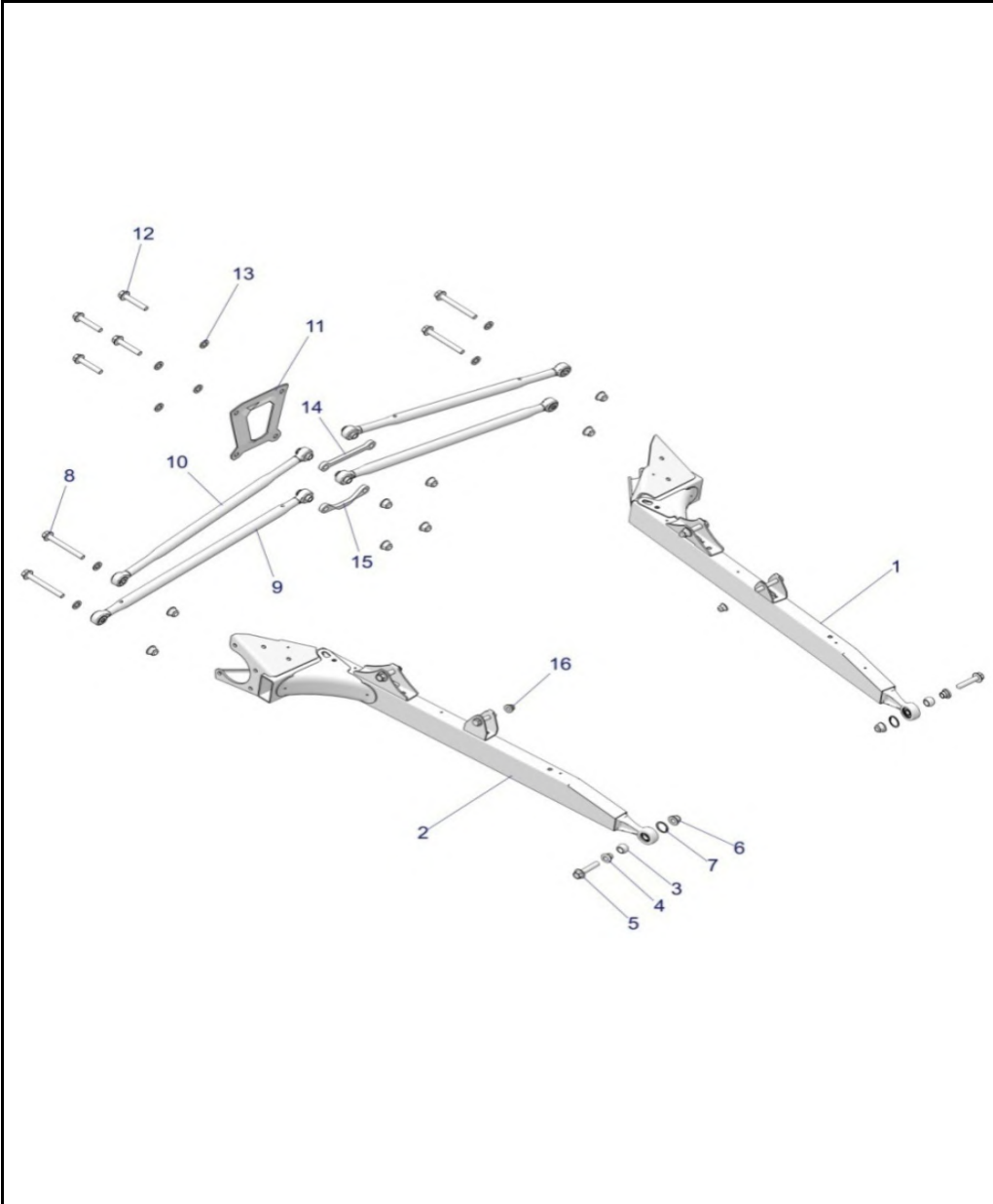
2022 RZR RZR XP 1000 PREMIUM (R02) - Z22NAK99AK/AR/BK/BR/NAV99AK/AR/BK/BR



POS	SAP	Part Name	Qty
1	<a href="#">1011265</a>	HUB-WHEEL(MACH),BLK	1
2	<a href="#">1011487</a>	DISC, BRAKE	2
3	<a href="#">1014465</a>	STUD-WHEEL,M12-1.5	8
4	<a href="#">1008451</a>	BEARING-BALL,SEALED,44X72X33.1	2
4	<a href="#">1008460</a>	BEARING-BALL,SEALED,44X72X33.1 (HEAVY DUTY) [OPTIONAL]	2
5	<a href="#">1011253</a>	CARRIER-BEARING,WHEEL,LH(MACH)	1
5	<a href="#">1011254</a>	CARRIER-BEARING,WHEEL,RH(MACH)	1
6	<a href="#">1038235</a>	SCR-HXFL-M10X1.25X75 10.9 ZOD	8
7	<a href="#">1014502</a>	NUT-M18X1.5,CASTLE,ZINC/YELLOW	2
8	<a href="#">1045351</a>	WSHR-BLVL,19X42X4.5-5.08	2
9	<a href="#">1014587</a>	PIN-COTTER 1/8X1 1/2-Y	2
10	<a href="#">1014620</a>	RING-RETAINING,2.875,INTERNAL	2
11	<a href="#">1014520</a>	WASHER-3/8 FW SAE STL THRU-HRD	8

## SUSPENSION, REAR CONTROL ARMS

2022 RZR RZR XP 1000 PREMIUM (R02) - Z22NAK99AK/AR/BK/BR/NAV99AK/AR/BK/BR

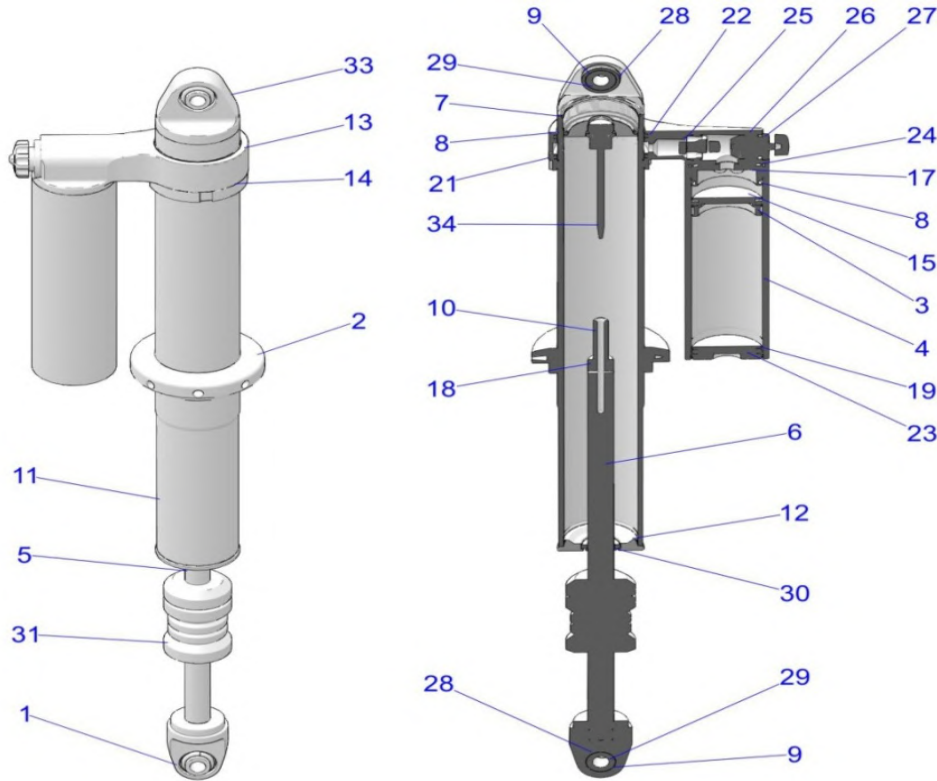


POS	SAP	Part Name	Qty
1	<a href="#">1045352</a>	WELD-TRL ARM,LH, VELOCITY BLUE [AK][BK]	1
1	<a href="#">1045353</a>	ARM, TRAILING, LH, INDY RED [AR][BR]	1
2	<a href="#">1045354</a>	WELD-TRL ARM,RH, VELOCITY BLUE [AK][BK]	1
2	<a href="#">1045355</a>	ARM, TRAILING, RH, INDY RED [AR][BR]	1
3	<a href="#">1008442</a>	BEARING, SPHERICAL	2
4	<a href="#">1011685</a>	BUSHING, REDUCER	4
5	<a href="#">1014448</a>	SCR-HXFL-M12X1.5X60 10.9 ZOD	2
6	<a href="#">1014501</a>	NUT-M12X1.5, FLG, NYLOC-OLIVE D	8
7	<a href="#">1014619</a>	RING,RETAINING(10)	2
8	<a href="#">1014490</a>	SCR-HXFL-M12X1.5X105 10.9 ZOD	4
9	<a href="#">1045356</a>	ASM-RADIUS ROD,BTM,VL BL [AK][BK]	2
9	<a href="#">1045357</a>	ASM-RADIUS ROD,BTM,I.RED [AR][BR]	2
10	<a href="#">1045358</a>	ASM-RADIUS ROD,VL BL [AK][BK]	2
10	<a href="#">1045359</a>	ASM-RADIUS ROD,I RED [AR][BR]	2
11	<a href="#">1011516</a>	PLATE-REAR,BOLT BRACE,M.BLK	1
12	<a href="#">1014489</a>	SCR-HXFL-M12X1.5X65 10.9 ZOD	4
13	<a href="#">1014524</a>	WSHR-13.0X24.0X2.5 ZPC	8
14	<a href="#">1040163</a>	BRKT-SPACER PLATE,UPPER,BLK	1
15	<a href="#">1040163</a>	BRKT-SPACER PLATE,LOWER,BLK	1
16	<a href="#">1014500</a>	NUT-M10X1.25, FLG, NYLOC-OLIVE D	8



# SUSPENSION, REAR SHOCK INTERNALS

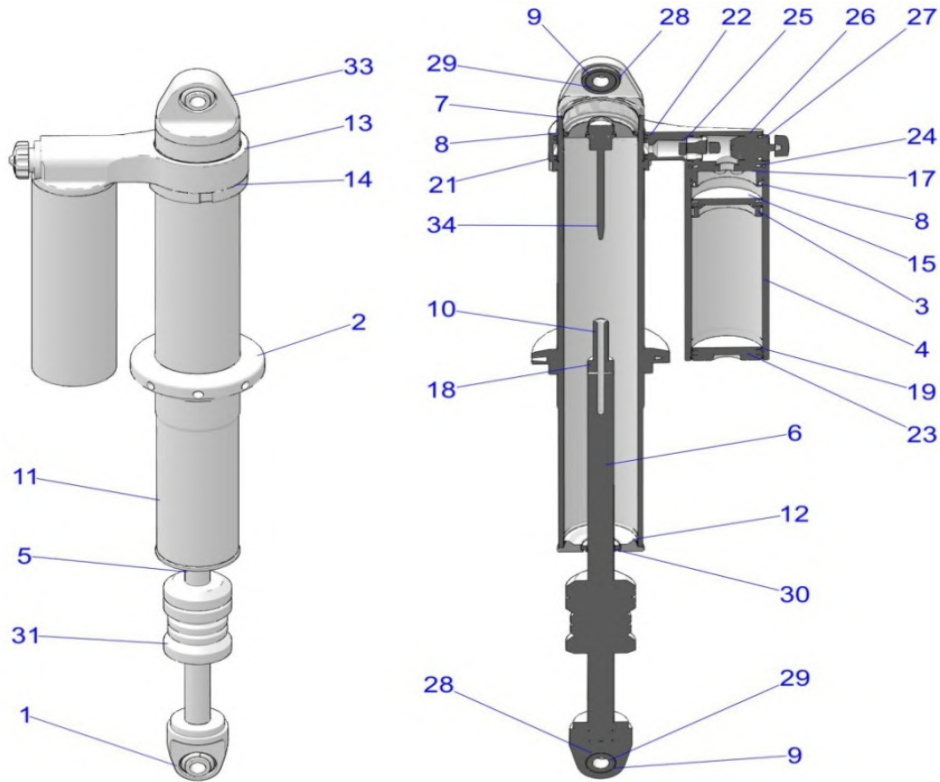
2022 RZR RZR XP 1000 PREMIUM (R02) - Z22NAK99AK/AR/BK/BR/NAV99AK/AR/BK/BR



POS	SAP	Part Name	Qty
-	1045385	SHOCK-REAR [INCL ALL]	2
1	1045361	42629 HEIM SHAFTLOOP (CLEAR)	1
2	1004068	2.5IN SPRING NUT (CLEAR)	1
3	1040163	RES, PISTON 2.5IN ASM	1
4	1045362	2.5IN 8.5L PB RES CAN WR (HARD CLEAR)	1
5	1045363	3/4in SS CHROME NEEDLE SHAFT 18.295L	1
6	1045364	SPACER 2.287L	1
7	1045365	O-RING 2-033	2
8	1045367	O-RING 2-225	2
8	1045367	O-RING 2-225	2
9	1004055	RING- RETAIN (SNAP)	2
9	1004055	RING- RETAIN (SNAP)	2
10	1045368	NUT 7/16 NYLOCK (1425112)	1
11	1040163	2.5 BODY, CO, TUBING	1
12	1004069	WIPER CAP 2.5 X 0.75 PRESS FIT	1
13	1045369	BRIDGE, 2.5 WER ADJUSTER (CLEAR)	1
14	1045370	2.5IN CROSSOVER RING/ JAM NUT	1
15	1045371	MOUNT, RESERVOIR	1
17	1045372	SCREW, SOCK CAP 1/4-20 X .5"	1
18	1040163	PISTON, ASM, NO BLEED ( W/OUT VALVING)	1
19	1045373	ASM. END CAP, 2.5 SCHRAEDER	1
21	1045374	O-RING 2-230	2
22	1045375	2.48 X 0.0625 WIRE RING	1
23	1004070	ID RETAINING RING, 2.5"	2
24	1045376	O-RING, 2-134	1
25	1045377	VALVE, CHECK ASSEMBLY	1
26	1045378	O-RING 2-122	1
27	1045379	ASM. SS RETENTION NUT (GOLD)	1
28	1004067	O-RING 2-312 1000312	4

# SUSPENSION, REAR SHOCK INTERNALS

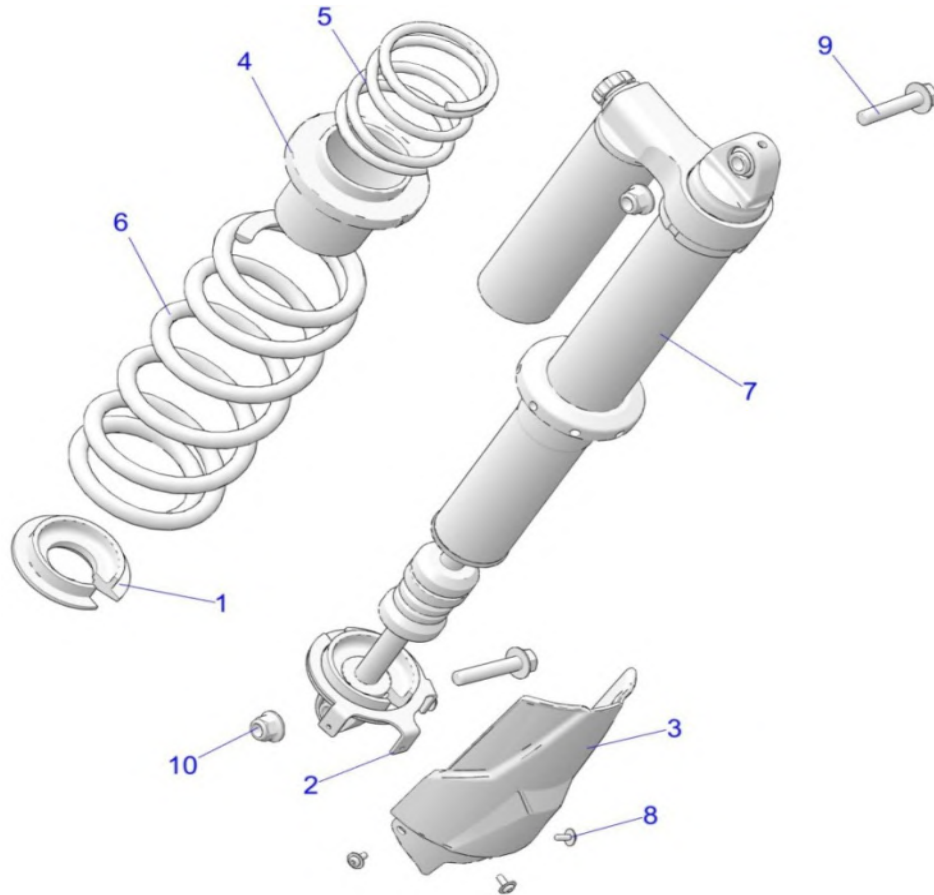
2022 RZR RZR XP 1000 PREMIUM (R02) - Z22NAK99AK/AR/BK/BR/NAV99AK/AR/BK/BR



POS	SAP	Part Name	Qty
28	<a href="#">1004067</a>	O-RING 2-312 1000312	4
29	<a href="#">1004076</a>	BEARING HCOM9T-12MM	2
29	<a href="#">1004076</a>	BEARING HCOM9T-12MM	2
30	<a href="#">1004056</a>	WIPER 2.5IN SH .75SHAFT	1
31	<a href="#">1040163</a>	BUMP STOP 3.125L	1
33	<a href="#">1040163</a>	2.5 BODY LOOP, THD,NEEDLE, 1.093 BORE	1
34	<a href="#">1040163</a>	NEEDLE, THREAD IN	1

## SUSPENSION, REAR SHOCK MOUNTING

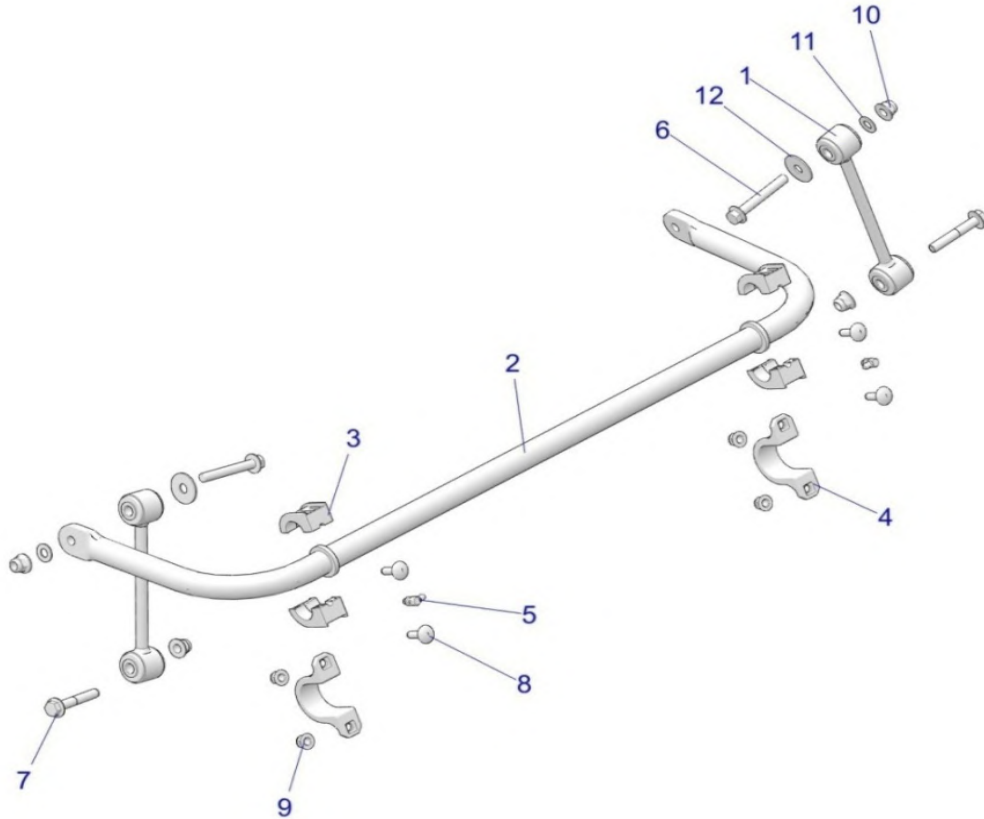
2022 RZR RZR XP 1000 PREMIUM (R02) - Z22NAK99AK/AR/BK/BR/NAV99AK/AR/BK/BR



POS	SAP	Part Name	Qty
1	<a href="#">1039361</a>	RETAINER-SPRING,2.5"	2
2	<a href="#">1039521</a>	MOUNT, SHOCK GUARD	2
3	<a href="#">1011845</a>	GUARD, SHOCK ROD, REAR, BLACK	2
4	<a href="#">1045380</a>	SPACER-SPRING,2.5"	2
5	<a href="#">1045381</a>	SPR-PROG,5.05FL,3.0ID,T.SILVER [AK][BR]	2
5	<a href="#">1045382</a>	SPR-PROG,5.05FL,3.0-3.0 ID,WHT [AR][BR]	2
6	<a href="#">1045383</a>	SPR-225,15.75FL,3.04ID,T.SILVR [AK][BR]	2
6	<a href="#">1045384</a>	SPR-225,15.75FL,3.04-3.04ID,W [AR][BR]	2
7	<a href="#">1045385</a>	SHOCK-REAR	2
8	<a href="#">1039657</a>	SCR-10-24X1/2, PHTXTRIRD, SEMS-Y	6
9	<a href="#">1014448</a>	SCR-HXFL-M12X1.5X60 10.9 ZOD	4
10	<a href="#">1014501</a>	NUT-M12X1.5, FLG, NYLOC-OLIVE D	4

## SUSPENSION, STABILIZER BAR, REAR

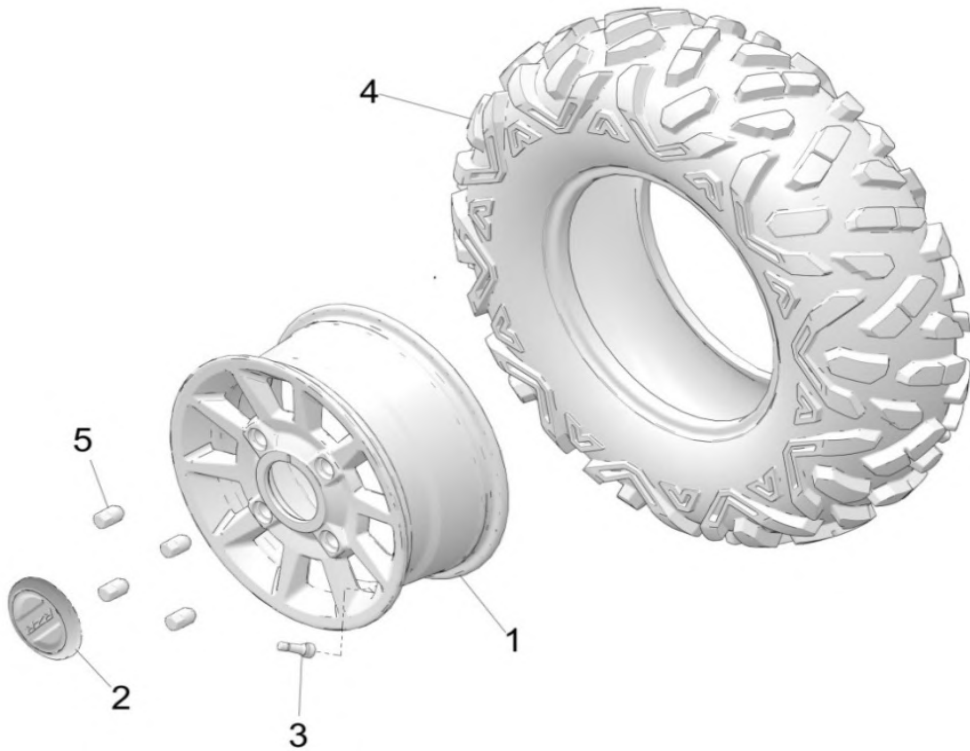
2022 RZR RZR XP 1000 PREMIUM (R02) - Z22NAK99AK/AR/BK/BR/NAV99AK/AR/BK/BR



POS	SAP	Part Name	Qty
1	<a href="#">1045386</a>	ASM-LINKAGE,STABILIZER BAR,TR	2
2	<a href="#">1045387</a>	BAR, STABILIZER, 27MM	1
3	<a href="#">1011919</a>	BUSHING, REAR BAR, 27MM	4
4	<a href="#">1012203</a>	BRKT-CAP,SWAY BAR,1.25"	2
5	<a href="#">1039616</a>	FITTING-ZERK.25 S/TAP90D-3054B	2
6	<a href="#">1039692</a>	BOLT-M10X1.25X70,HXFLG-OLIVE D	2
7	<a href="#">1014454</a>	SCR-HXFL-M10X1.25X60 10.9 ZOD	2
8	<a href="#">1014453</a>	SCR-HXFL-M10X1.25X55 10.9 ZOD	4
9	<a href="#">1014499</a>	NUT- M8X1.25, FLG, NYLOC-OLIVE D	4
10	<a href="#">1014500</a>	NUT-M10X1.25, FLG, NYLOC-OLIVE D	4
11	<a href="#">1014516</a>	WASHER-.438X1.375X.083, FL-B	2
12	<a href="#">1014520</a>	WASHER-3/8 FW SAE STL THRU-HRD	2

## WHEELS, FRONT

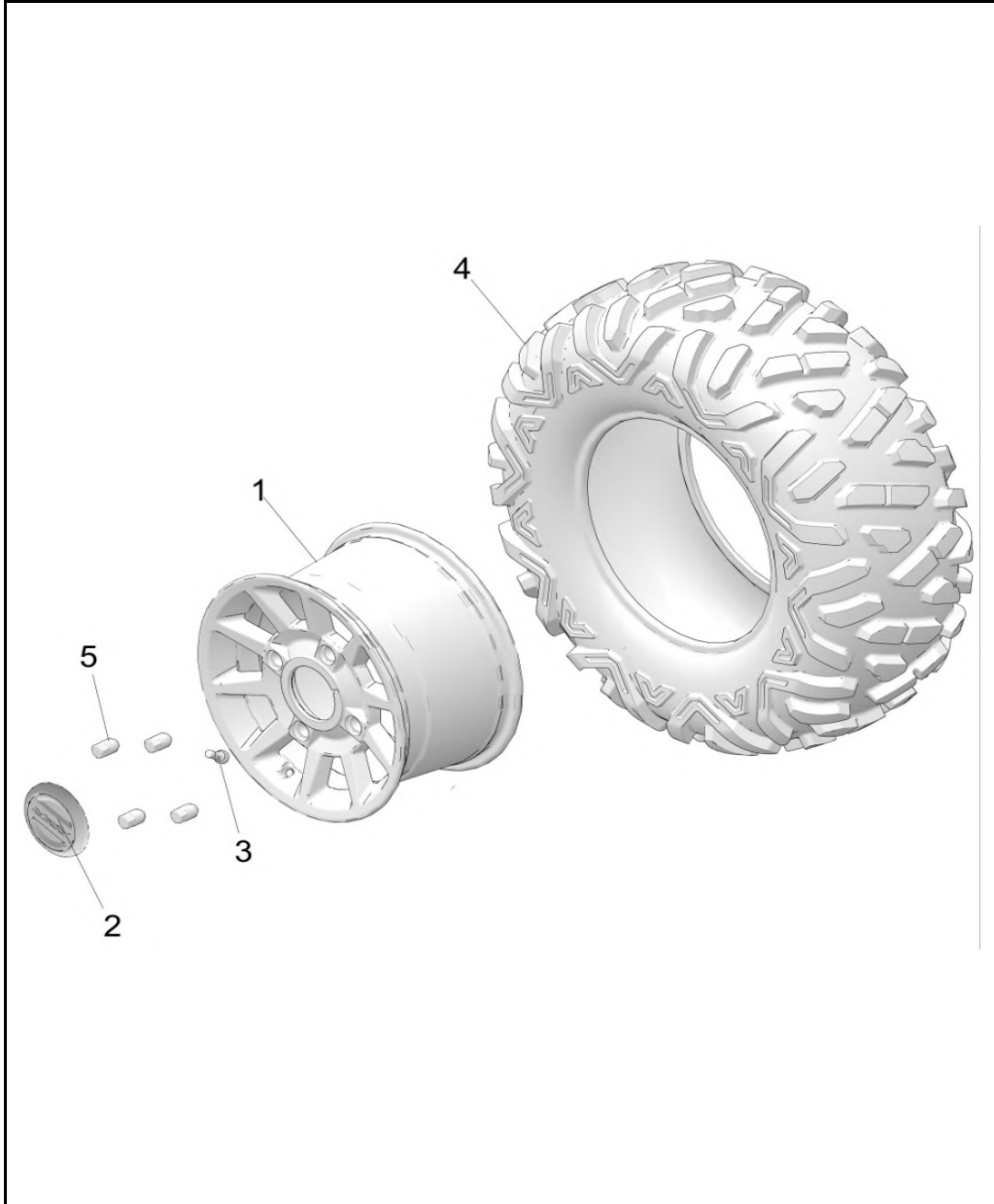
2022 RZR RZR XP 1000 PREMIUM (R02) - Z22NAK99AK/AR/BK/BR/NAV99AK/AR/BK/BR



POS	SAP	Part Name	Qty
1	<a href="#">1003480</a>	RIM-FRT,14X6,CAST,53,FLASH BLK	2
2	<a href="#">1035058</a>	CAP-RIM,BLK	2
3	<a href="#">1039363</a>	VALVE, RIM	2
4	<a href="#">1045388</a>	TIRE, FRONT	2
5	<a href="#">1014505</a>	NUT-WHEEL,M12X1.5,TAPERED	8

## WHEELS, REAR

2022 RZR RZR XP 1000 PREMIUM (R02) - Z22NAK99AK/AR/BK/BR/NAV99AK/AR/BK/BR



POS	SAP	Part Name	Qty
1	<a href="#">1003481</a>	RIM-RR,14X8,CAST,63.5,FLSH BLK	2
2	<a href="#">1035058</a>	CAP-RIM,BLK	2
3	<a href="#">1039363</a>	VALVE, RIM	2
4	<a href="#">1045389</a>	TIRE, REAR	2
5	<a href="#">1014505</a>	NUT-WHEEL,M12X1.5,TAPERED	8



# Accessories



Front High Coverage Bumper Indy Red | Part # 2884732-293



Front High Coverage Bumper Matte Black | Part # 2884732-458



Rear Low Profile Bumper | Part # 2884020-458



Rear Low Profile Bumper | Part # 2884020-737

# Accessories



Extreme Kick-Out Rock Sliders Indy Red | Part # 2881586-293



Extreme Kick-Out Rock Sliders Matte Black | Part # 2881586-458



Convex Rearview Mirror | Part # 2881540



Lock & Ride 69 QT Cargo Box Part # 2881193

# Accessories



Folding Side Mirrors | Part # 2881198



Polaris HD 3,500 LB Winch | Part # 2881671



Poly Sport Roof with Lock & Ride Technology, Black | Part # 2883073



Polycarbonate Full Windshield, Clear | Part # 2884018