

POLARIS

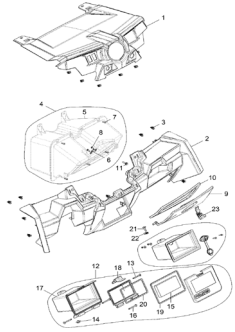
RZR

Parts Catalogue

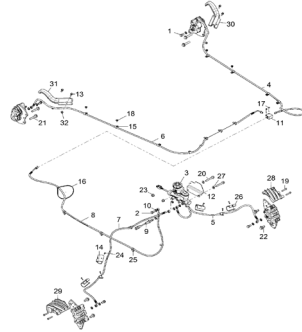


2018 RZR RZR XP 4 1000 MD (R07) - Z18VFE99NK

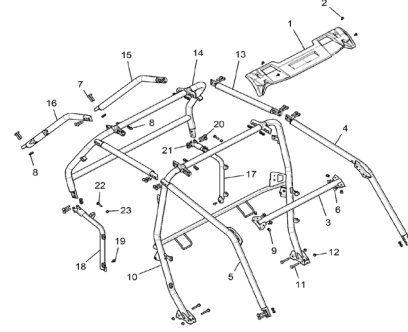
1 - BODY



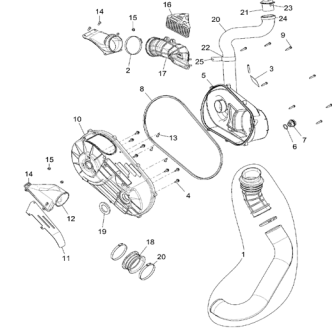
2 - BRAKES



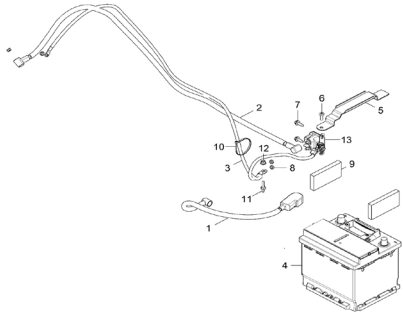
3 - CHASSIS



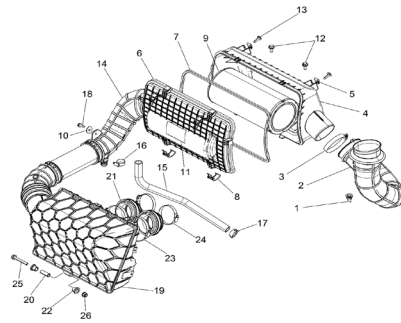
4 - DRIVE TRAIN



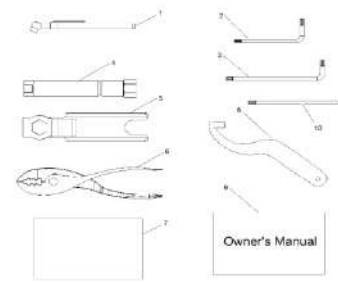
5 - ELECTRICAL



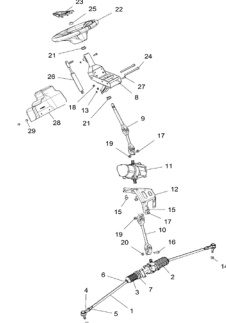
6 - ENGINE



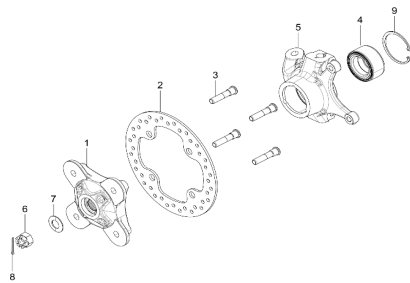
7 - OWNERS MANUAL



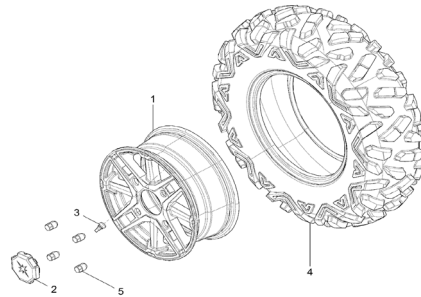
8 - STEERING



9 - SUSPENSION



10 - WHEELS

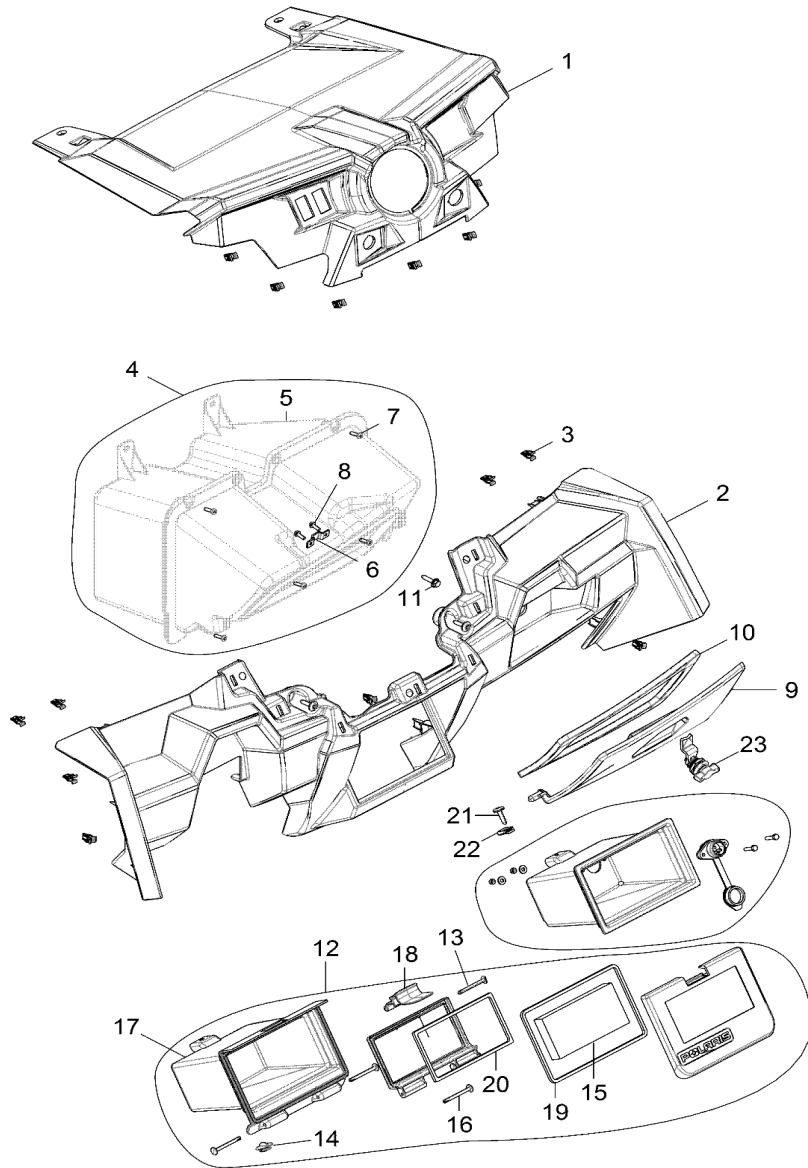


11 - ACCESSORIES



BODY, DASH AND GLOVEBOX

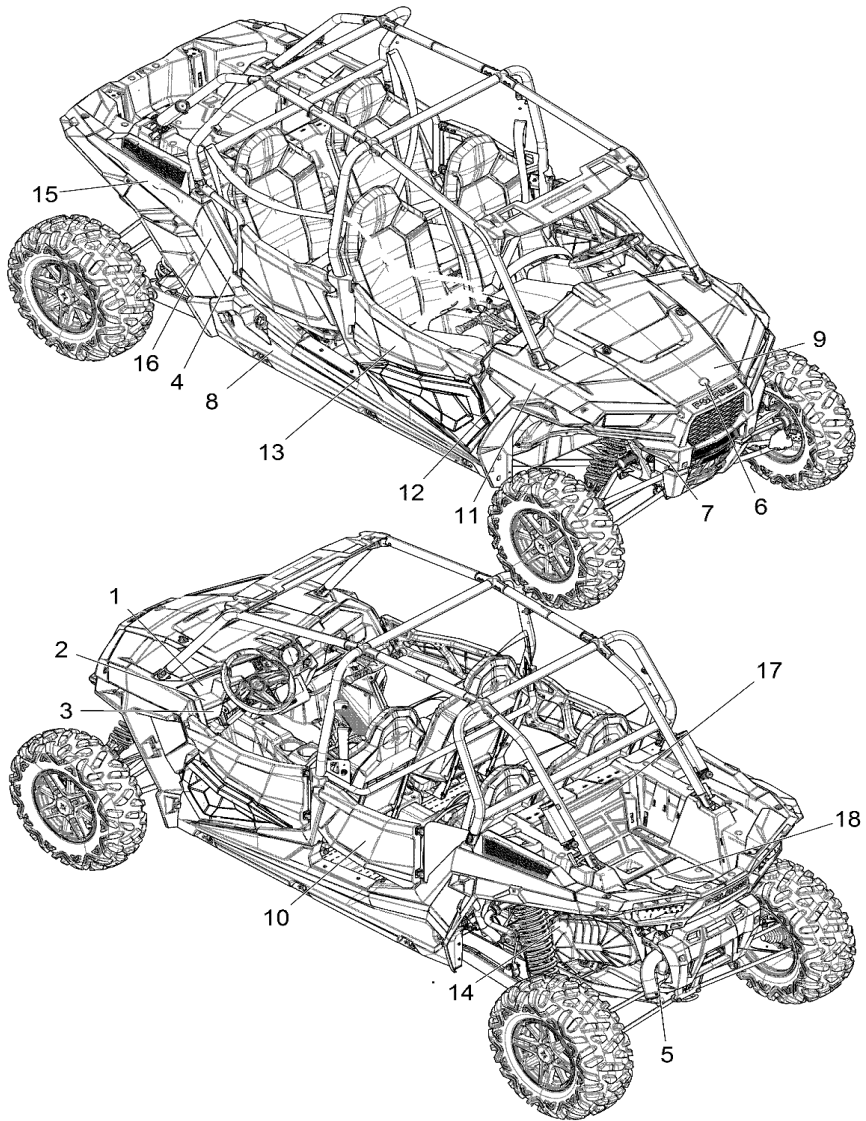
2018 RZR XP 4 1000 MD (R07) - Z18VFE99NK



POS	SAP	Part Name	Qty
1	1006284	ASM., UPPER IP, BLACK [INCL. QTY 7 OF REF. 3]	1
2	1039833	ASM-LWR IP, WARNDECAL,MD,BLK [INCL. WARNING DECALS] [INCL. QTY 10 OF REF. 3]	1
3	1014466	CLIP, DASH, TRIM, METAL	AR
4	1039391	ASM., GLOVE BOX [INCL. 5-8]	1
5	1039901	GLOVEBOX, BLACK	1
6	1039525	BRACKET, GLOVEBOX LATCH	1
7	1014423	SCREW	5
8	1039701	SCREW	2
9	1039909	DOOR, GLOVEBOX, TPO, BLACK	1
10	1039556	SEAL, GLOVEBOX	1
11	1044268	SCREW	2
12	1030000	ASM., DOUBLE DIN [INCL. 13-20]	1
13	1039575	PIN, HINGE	1
14	1039537	PLUG, COMPARTMENT	1
15	1039599	FOAM, DOUBLE DIN	1
16	1039564	PIN-HINGE,GLOVEBOX	4
17	1039900	PANEL, DOUBLE DIN, BLACK	1
18	1039573	LATCH, LID, DIN	1
19	1039585	SEAL, DIN, OUTER	1
20	1039586	SEAL, DIN, INNER	1
21	1014459	SCR-TXTH-M6X1.0X25 ZFB	1
22	1014509	NUT, U-TYPE	1
23	1014063	LATCH, 1/4 TURN, CAM	1

BODY, DECALS

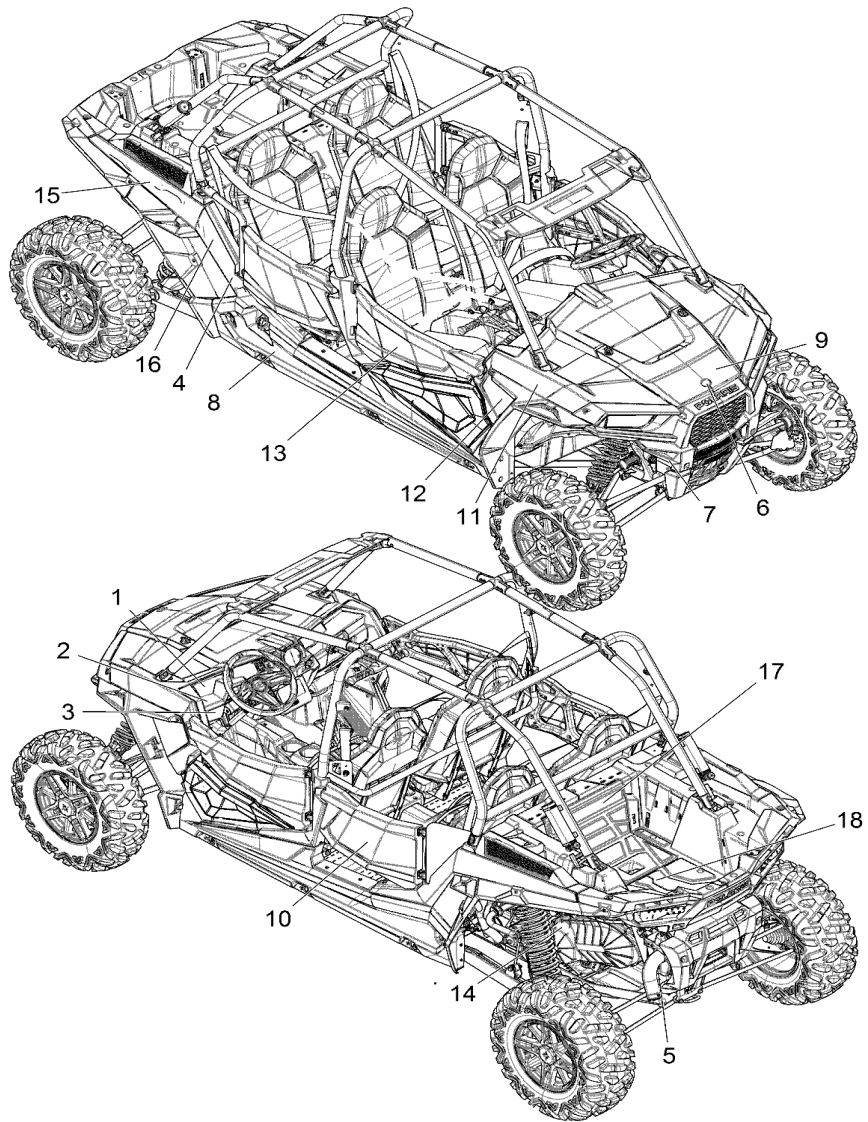
2018 RZR XP 4 1000 MD (R07) - Z18VFE99NK



POS	SAP	Part Name	Qty
1	1039647	DECAL-WARN,GENERAL,TOP,EU	1
2	1039648	DECAL-WARN,GENERAL,BTM,EU	1
3	1039649	DECAL-WARN,GENERAL,MID,EU	1
4	1014219	DECAL-RR.FNDR,SIDE,BTM,XP,LH	1
4	1014220	DECAL-RR.FNDR,SIDE,BTM,XP,RH	1
5	1039642	DECAL, REFLECTOR, RED, LH	1
5	1039643	DECAL, REFLECTOR, RED, RH	1
6	1014053	LOGO-POLARIS STAR	1
7	1039645	DECAL, FRONT, AMBER REFLECTOR, LH	1
7	1014173	DECAL, FRONT, AMBER REFLECTOR, RH	1
8	1014165	DECAL, POLARIS, WHITE	2
9	1014202	DECAL-HOOD CNTR,XP	1
10	1014224	DECAL-RR,DOOR,MID,RH	1
10	1014225	DECAL-RR.DOOR,BTM,LH	1
10	1014226	DECAL-RR.DOOR,BTM,RH	1
10	1014221	DECAL-RR.DOOR,TOP,LH	1
10	1014222	DECAL-RR.DOOR,TOP,RH	1
10	1014223	DECAL-RR,DOOR,MID,LH	1
11	1014203	DECAL-FR.FNDR,SIDE,TOP,1000,LH	1
11	1014204	DECAL-FR.FNDR,SIDE,TOP,1000,RH	1
12	1014205	DECAL-FR.FNDR,SIDE,MID,EPS,LH	1
12	1014206	DECAL-FR.FNDR,SIDE,MID,EPS,RH	1
12	1014207	DECAL-FR.FNDR,SIDE,BTM,LH	1
12	1014208	DECAL-FR.FNDR,SIDE,BTM,RH	1
13	1014209	DECAL-DOOR,TOP,LH	1
13	1014210	DECAL-DOOR,TOP,RH	1
13	1014211	DECAL-DOOR,MID,LH	1
13	1014212	DECAL-DOOR,MID,RH	1
13	1014213	DECAL-DOOR,BTM,LH	1
13	1014214	DECAL-DOOR,BTM,RH	1

BODY, DECALS

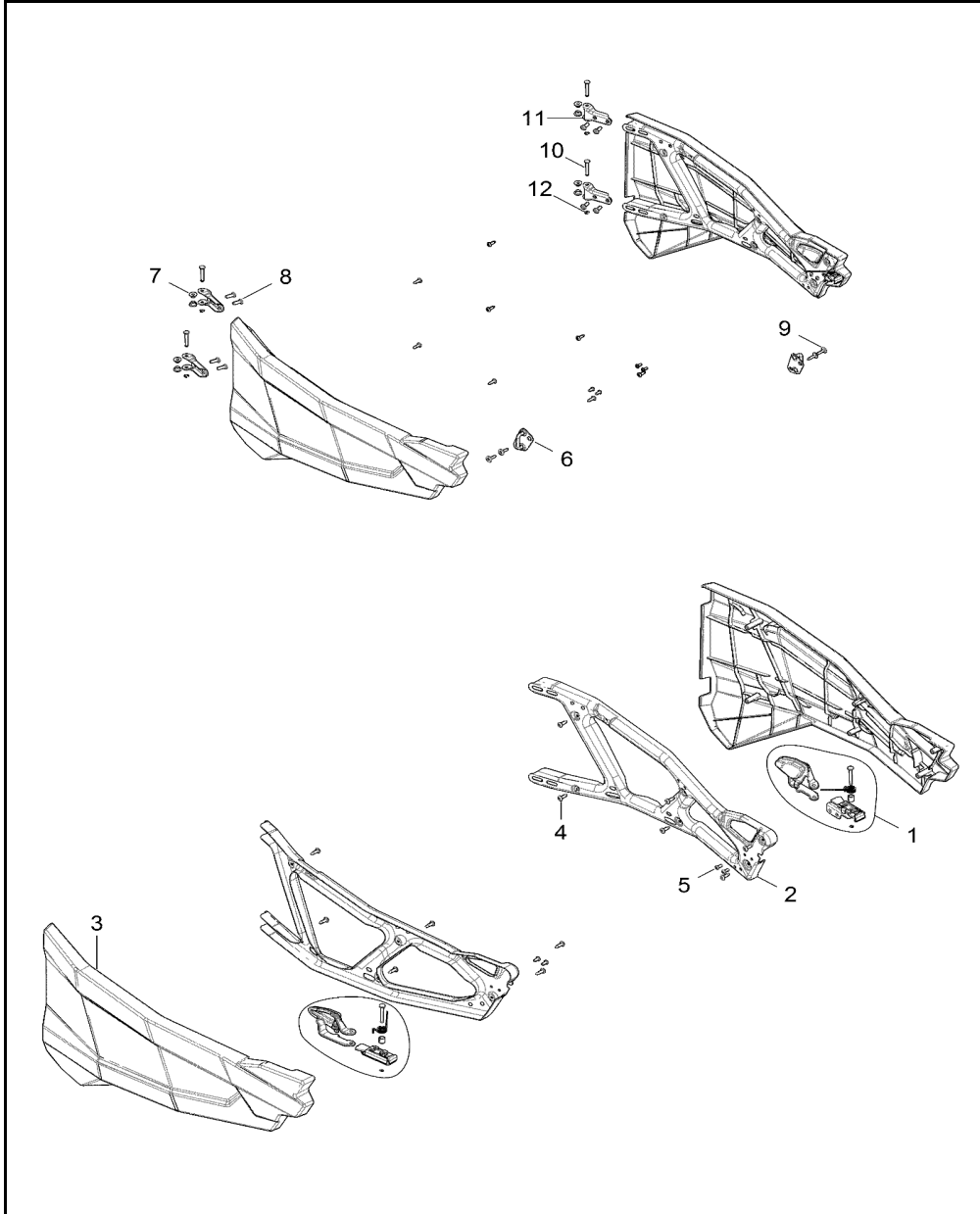
2018 RZR XP 4 1000 MD (R07) - Z18VFE99NK



POS	SAP	Part Name	Qty
14	1039644	DECAL-WARN,CLUTCH COVER,EU	1
15	1014215	DECAL-RR.FNDR,SIDE,TOP,RZR,LH	1
15	1014216	DECAL-RR.FNDR,SIDE,TOP,RZR,RH	1
16	1014217	DECAL-RR.FNDR,SIDE,MID,LH	1
16	1014218	DECAL-RR.FNDR,SIDE.MID,RH	1
17	1039651	DECAL-WARN,PASS/TIREPR/XP4,EU	1
18	1039652	DECAL-WARN,INTAKE [ON AIRBOX]	1

BODY, DOORS, FRONT

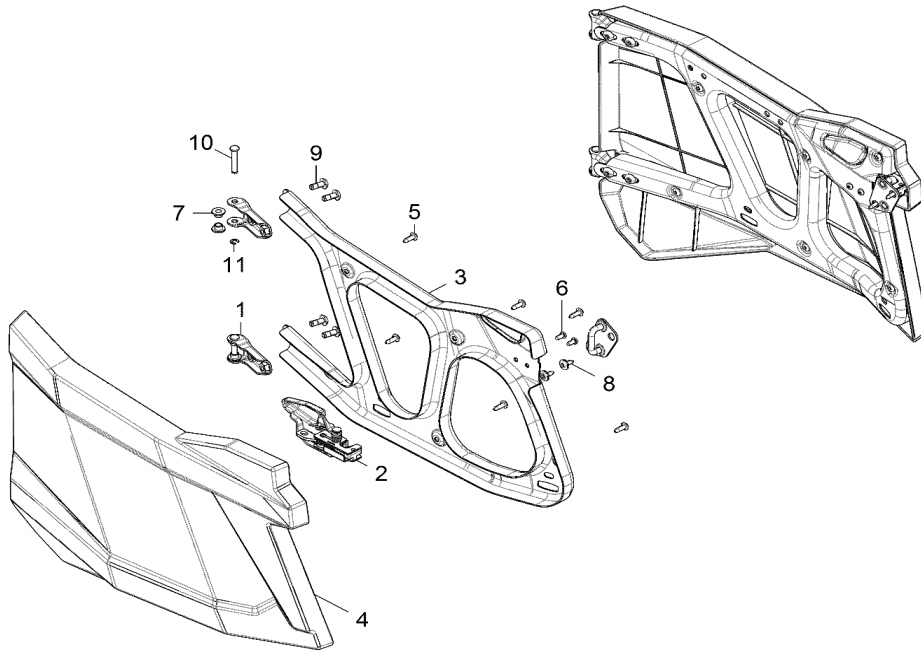
2018 RZR XP 4 1000 MD (R07) - Z18VFE99NK



POS	SAP	Part Name	Qty
1	1006300	ASM., LATCH DOOR, LH	1
1	1006301	ASM., LATCH DOOR, RH	1
2	1011489	FRAME, DOOR, LH, BLACK	1
2	1011490	FRAME, DOOR, RH, BLACK	1
3	1011899	DOOR SKIN, LH	1
3	1011900	DOOR SKIN, RH	1
4	1045772	SCREW	6
5	1014444	SCREW	2
6	1001510	STRIKER, LH	1
6	1001511	STRIKER, RH	1
7	1011897	BUSHING, DOOR PIVOT	8
8	1014473	SCREW	8
9	1014447	SCREW	4
10	1014591	PIN, DOOR HINGE	4
11	1011491	BRACKET, DOOR HINGE	4
12	1014621	E-CLIP	4

BODY, DOORS, REAR

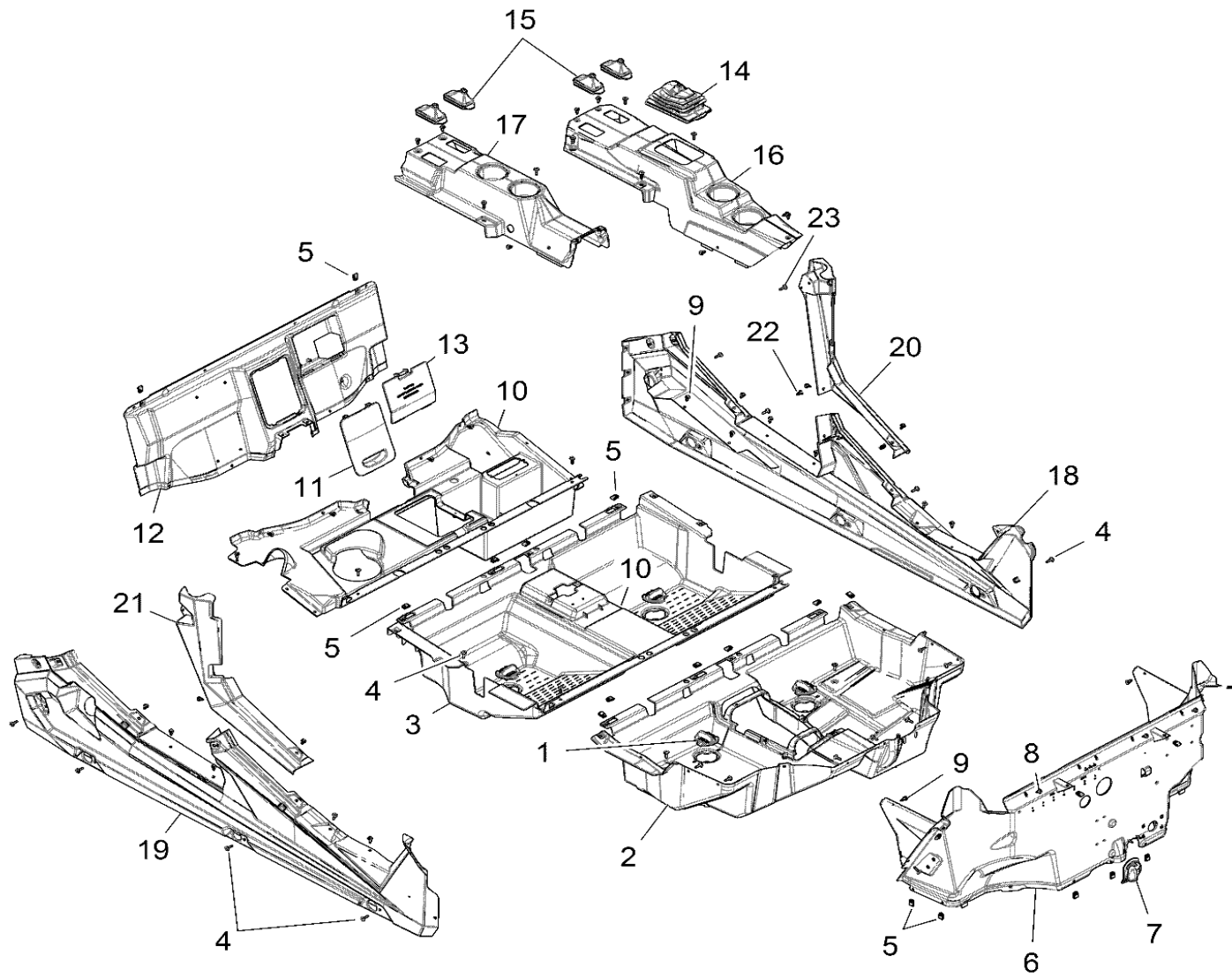
2018 RZR XP 4 1000 MD (R07) - Z18VFE99NK



POS	SAP	Part Name	Qty
1	1011491	DOOR, HINGE	4
2	1006300	ASM-LATCH,DOOR,LH	1
2	1006301	ASM-LATCH,DOOR,RH	1
3	1011513	FRAME, DOOR, REAR, LH, MATTE BLACK	1
3	1039888	FRAME, DOOR, REAR, RH, MATTE BLACK	1
4	1011907	SKIN, DOOR, REAR ,LH, MP	1
4	1011908	SKIN, DOOR, REAR ,RH, MP	1
5	1045772	SCREW	AR
6	1014444	SCREW	4
7	1011897	BUSHING, DOOR PIVOT	8
8	1014437	SCREW	4
9	1014473	SCREW	8
10	1014591	PIN, DOOR HINGE	4
11	1014621	E-CLIP	4

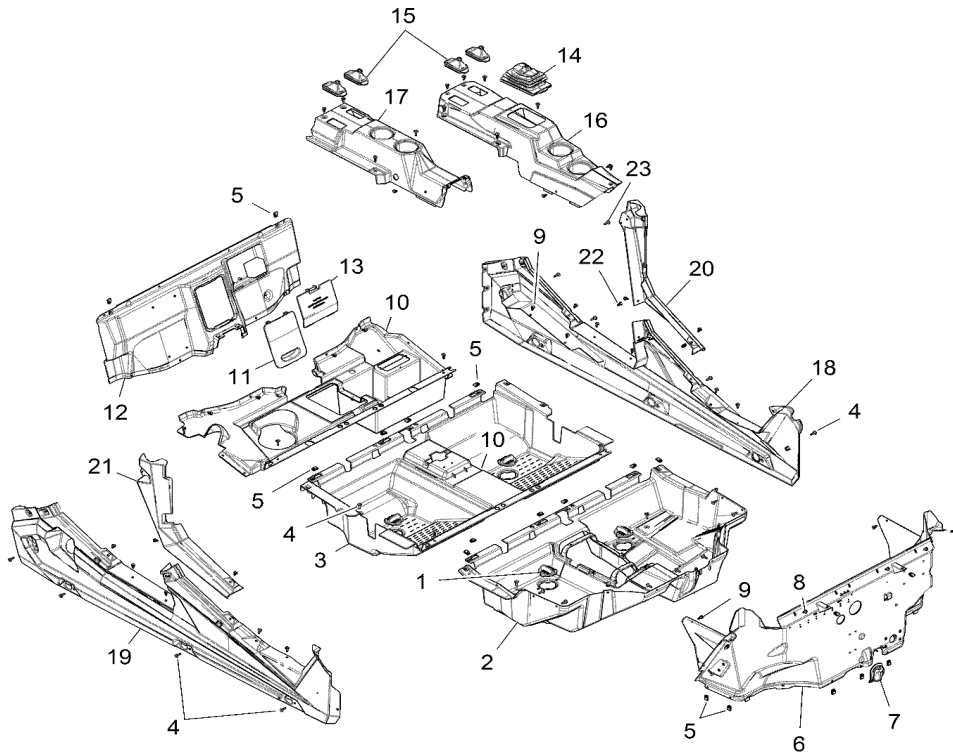
BODY, FLOOR and ROCKER PANELS

2018 RZR XP 4 1000 MD (R07) - Z18VFE99NK



BODY, FLOOR and ROCKER PANELS

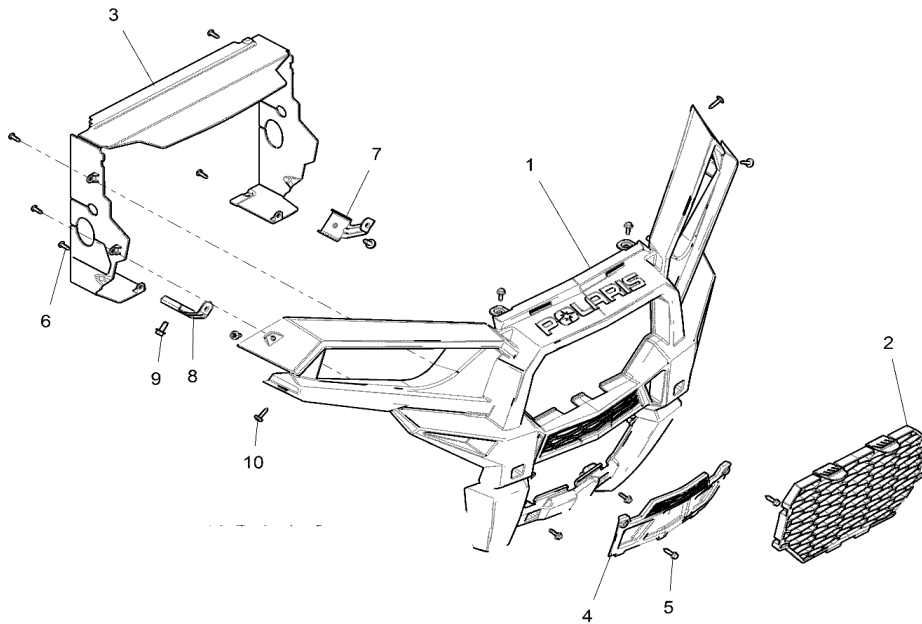
2018 RZR XP 4 1000 MD (R07) - Z18VFE99NK



POS	SAP	Part Name	Qty
1	1011806	PLUG, DRAIN, FLOOR	4
2	1039832	FLOOR, MAIN, BLACK [INCL QTY 8 OF 5]	1
3	1039907	FLOOR, REAR, MP, BLACK	1
4	1014459	SCR-TXTH-M6X1.0X25 ZFB	AR
5	1014509	NUT, U-TYPE	AR
6	1039393	ASM-FIREWALL,MAIN,BLK [INCL QTY 11 OF 5]	1
7	1039555	BOOT, STEERING	1
8	1039669	SCREW	3
9	1014589	RIVET	AR
10	1039899	PANEL, REAR CLOSEOFF, LOWER, BLACK	1
11	1011979	PANEL-ACCESS,ENGINE	1
12	1011978	PANEL-REAR CLOSEOFF,UPR	1
13	1039584	COVER-ECU	1
14	1011811	BOOT, SHIFTER	1
15	1039903	BOOT, SEAT BELT, BLACK	4
16	1039905	CONSOLE, FRONT, MP, BLACK	1
17	1039906	CONSOLE, REAR, MP, BLACK	1
18	1011917	ROCKER, LH, BLACK	1
19	1011918	ROCKER, RH, BLACK	1
20	1006297	ASM., COVER-B-PLR, PAINTED, CLIP, LH, BLACK [INCL. QTY 2 OF REF. 22]	1
21	1006298	ASM., COVER-B-PLR, PAINTED, CLIP, RH, BLACK [INCL. QTY 2 OF REF. 22]	1
22	1014466	CLIP, DASH, TRIM, METAL	4
23	1045772	SCREW	2

BODY, FRONT BUMPER

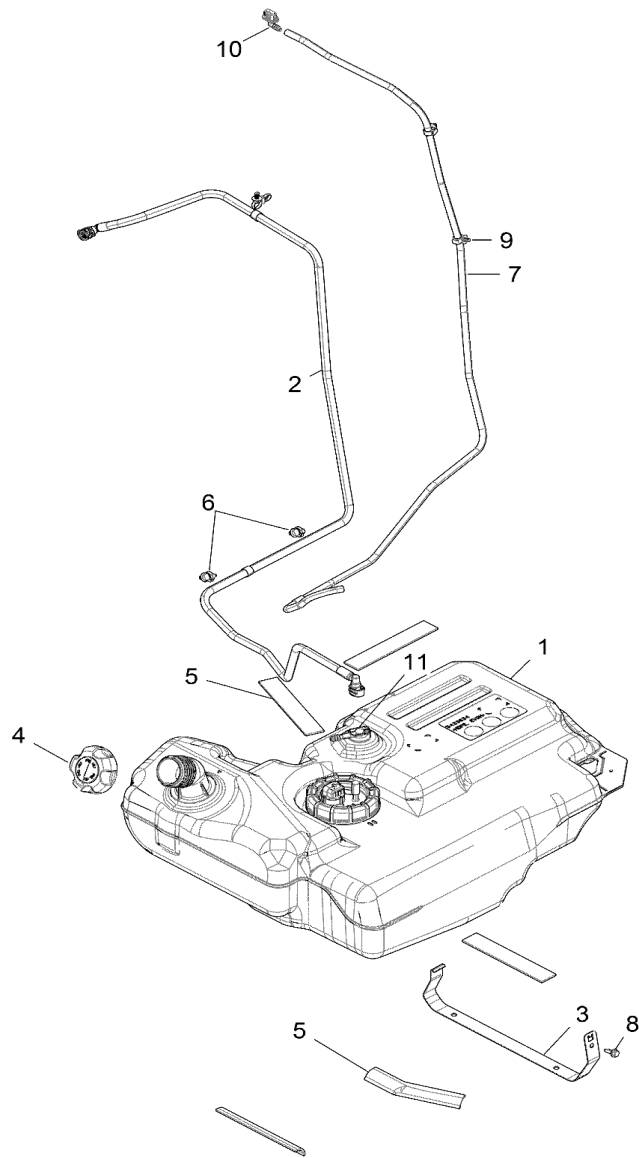
2018 RZR XP 4 1000 MD (R07) - Z18VFE99NK



POS	SAP	Part Name	Qty
1	1011878	FASCIA, FRONT, BLACK	1
2	1011879	GRILLE, FRONT FASCIA, BLACK	1
3	1039288	SHROUD, RADIATOR, FRONT, BLACK	1
4	1011890	COVER, WINCH, BLACK	1
5	1039658	SCREW	2
6	1045772	SCREW	6
7	1039515	BRACKET, BUMPER MOUNT, FRONT, UPPER, LH	1
8	1039516	BRACKET, BUMPER MOUNT, FRONT, UPPER, RH	1
9	1039688	BOLT	2
10	1014459	SCR-TXTH-M6X1.0X25 ZFB	10

BODY, FUEL TANK

2018 RZR XP 4 1000 MD (R07) - Z18VFE99NK

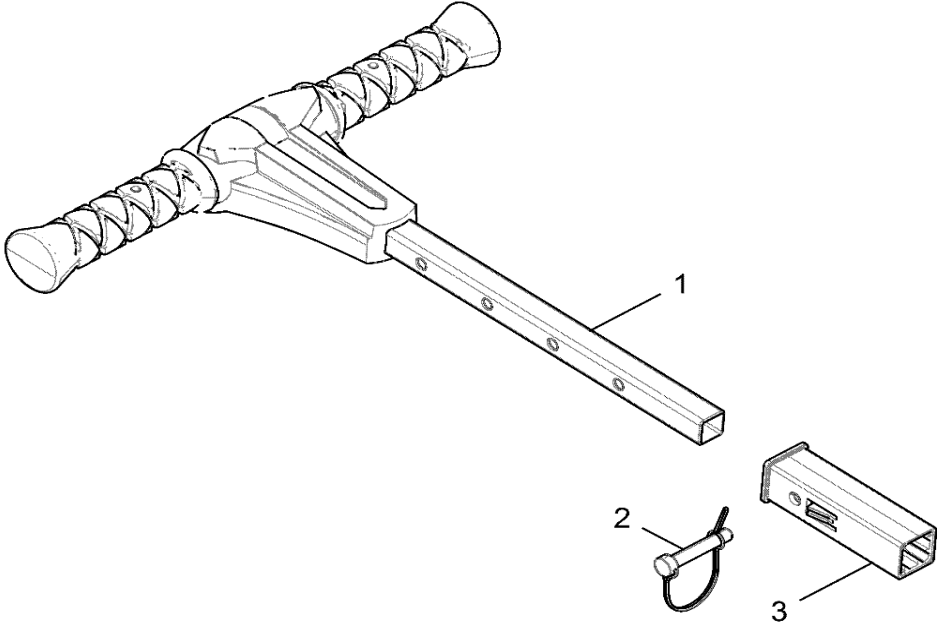


POS	SAP	Part Name	Qty
1	1039384	ASM., FUEL TANK [INCL. PUMP]	1
1	1005159	KIT, FUEL PUMP	1
2	1033111	ASM-FUEL LINE	1
3	1039887	STRAP, FUEL TANK, BLACK	1
4	1011853	CAP, GAS TANK	1
5	1039594	PAD-BATTERY	5
6	1014065	CLIP-ROUTING	3
7	1039387	ASM-VENT LINE,180CM	1
8	1039683	SCREW	1
9	1039817	CLIP, ROUTING, HINGED	3
10	1039581	FITTING-VENT LINE,90	1
11	1005159	KIT, FUEL PUMP	1

BODY, GRAB BAR, PASSENGER

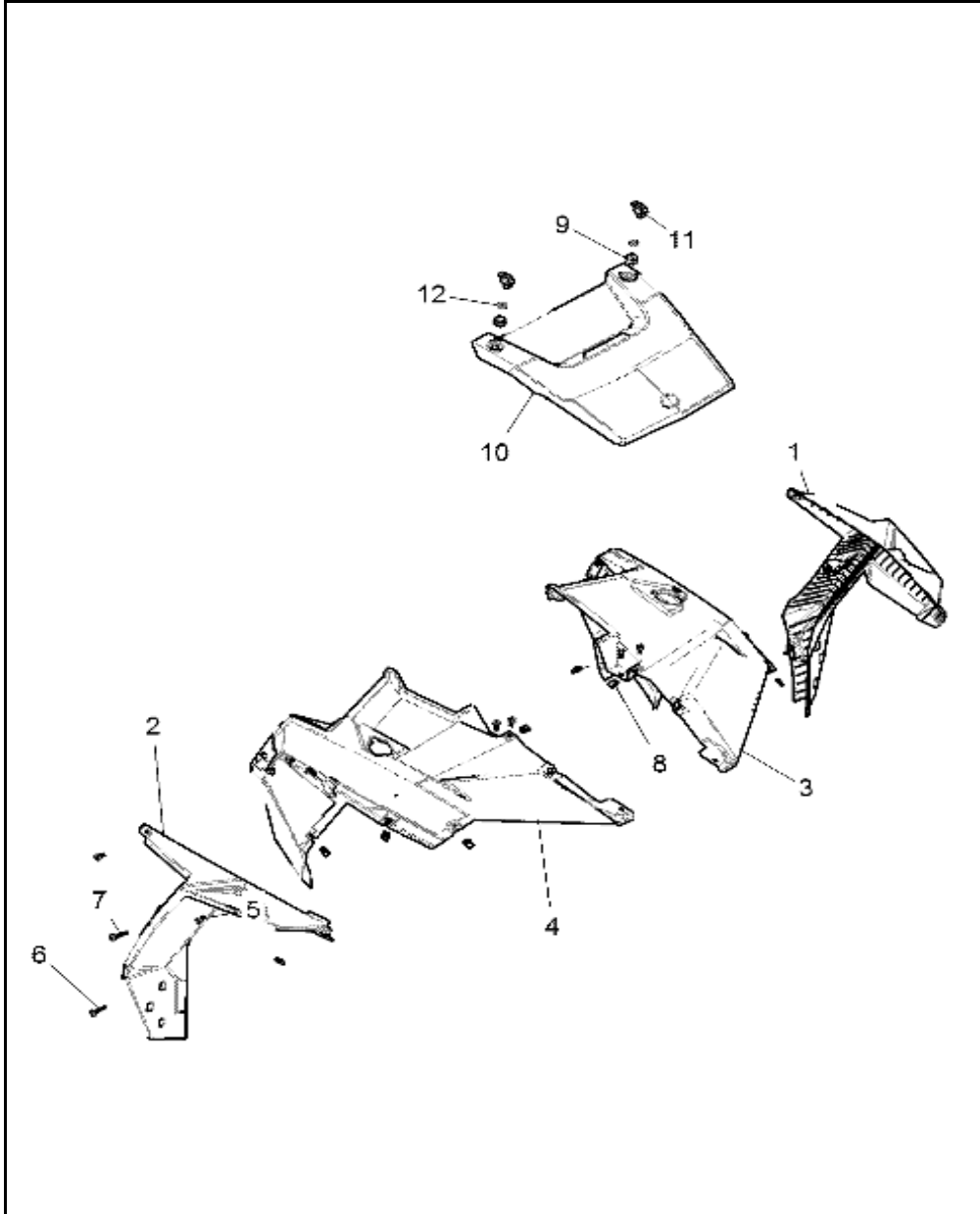
2018 RZR XP 4 1000 MD (R07) - Z18VFE99NK

POS	SAP	Part Name	Qty
1	1006282	ASM., GRAB BAR	1
2	1014590	PIN, HITCH	1
3	1039571	BUSHING, GRAB BAR	1



BODY, HOOD AND FRONT BODY WORK

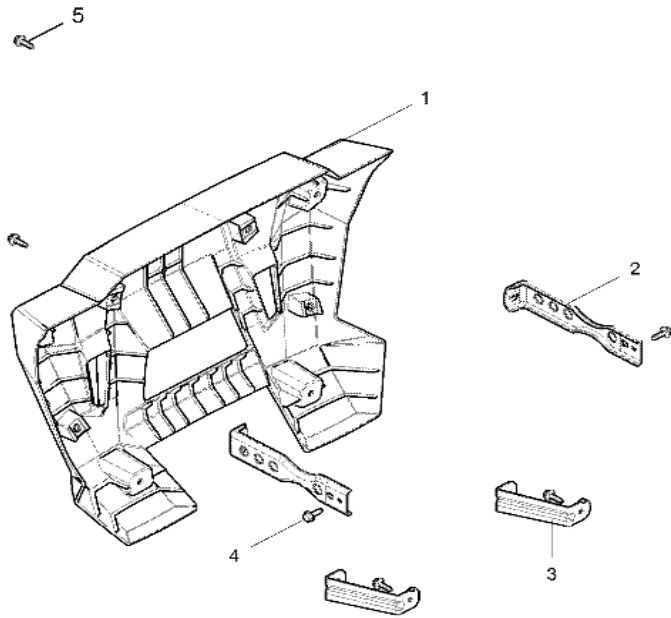
2018 RZR XP 4 1000 MD (R07) - Z18VFE99NK



POS	SAP	Part Name	Qty
1	1011869	FENDER, FRONT FLAIR, LH, BLACK	1
2	1011870	FENDER, FRONT FLAIR, RH, BLACK	1
3	1011902	FENDER-FR,PNTD,LH,PEARL BLK	1
4	1011903	FENDER-FR,PNTD,RH,PEARL BLK	1
5	1014459	SCR-TXTH-M6X1.0X25 ZFB	10
6	1014467	SCREW	2
7	1014468	SCREW	2
8	1014509	NUT, U-TYPE	14
9	1011795	GROMMET, LATCH	2
10	1011877	HOOD, CENTER, BLACK	1
11	1014070	LATCH, 1/4 TURN	2
12	1014517	WASHER	2

BODY, REAR BUMPER

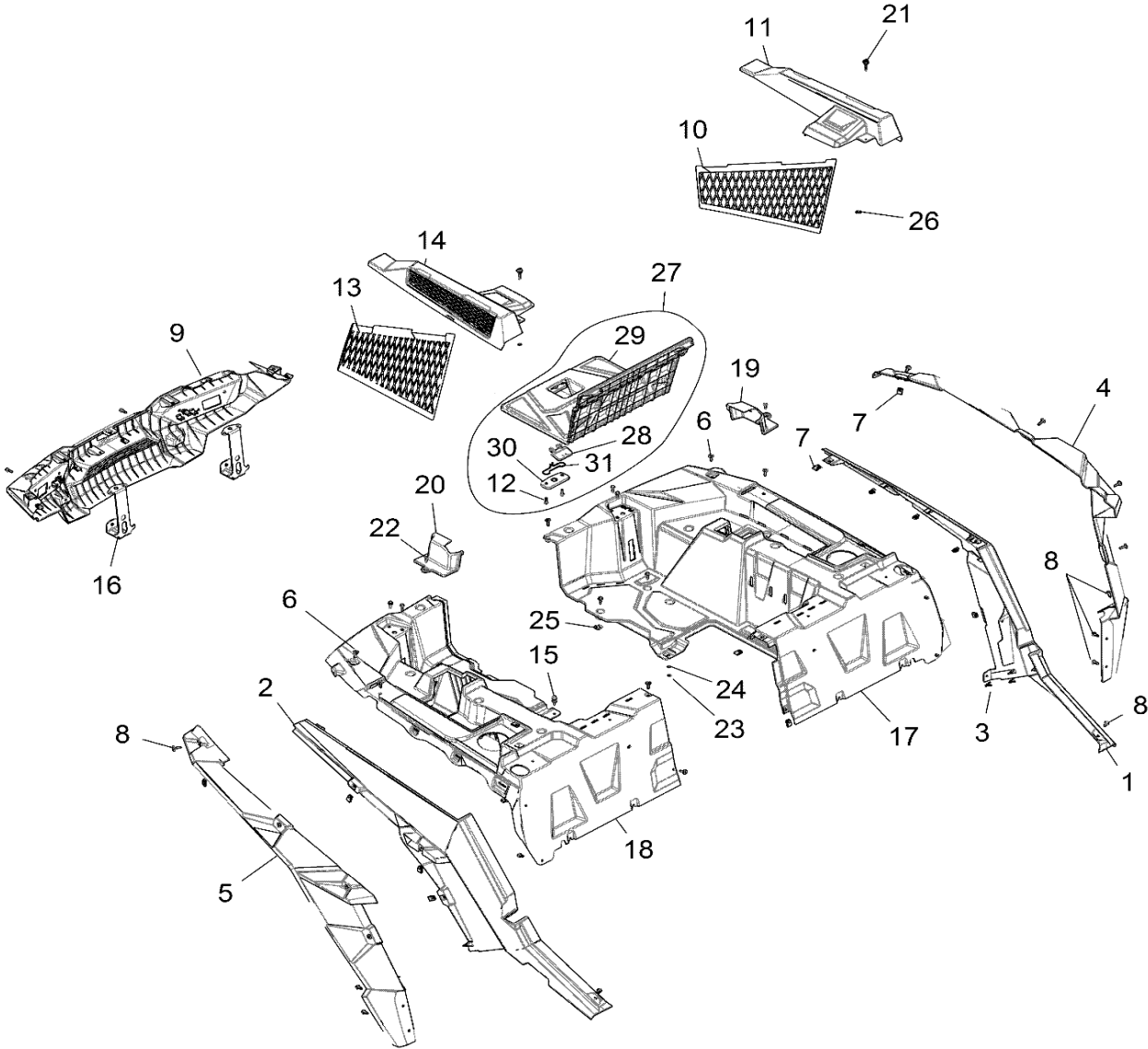
2018 RZR XP 4 1000 MD (R07) - Z18VFE99NK



POS	SAP	Part Name	Qty
1	1011889	FASCIA, REAR, LOWER, BLACK	1
2	1011488	BRACKET, UPPER, BUMPER, REAR, BLACK	2
3	1039882	BRACKET, LOWER, BUMPER, REAR, BLACK	2
4	1039683	SCREW	4
5	1014459	SCR-TXTH-M6X1.0X25 ZFB	4

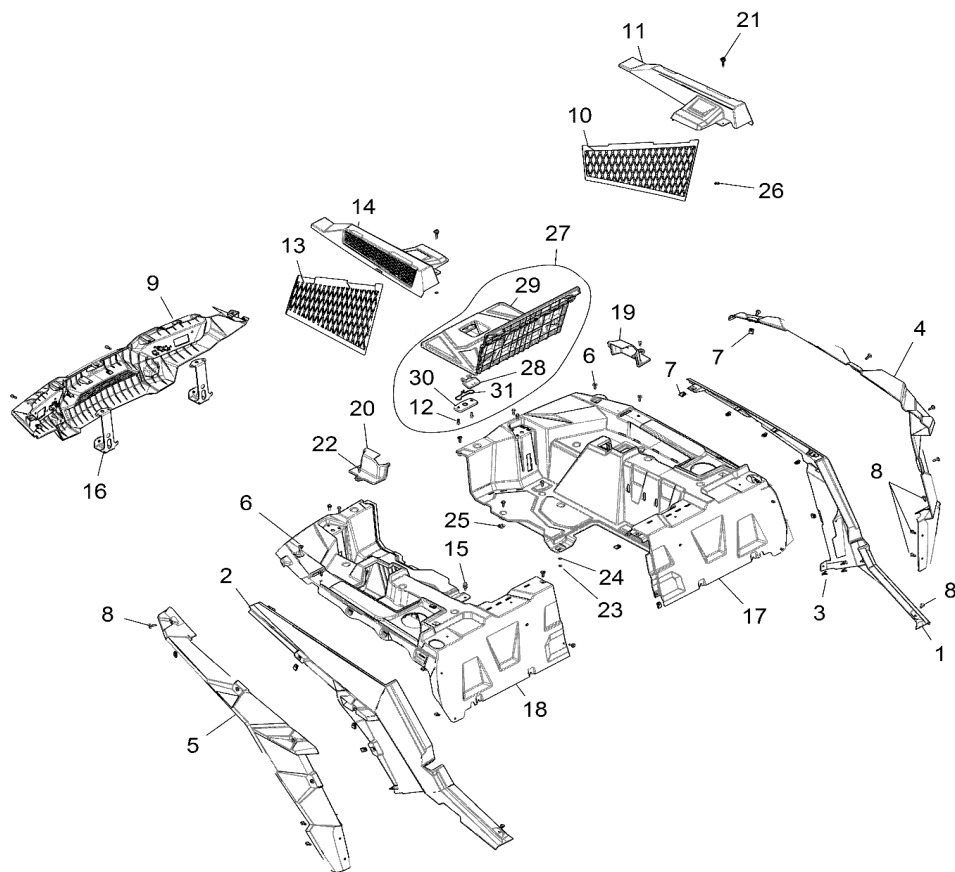
BODY, REAR RACK AND FENDERS

2018 RZR XP 4 1000 MD (R07) - Z18VFE99NK



BODY, REAR RACK AND FENDERS

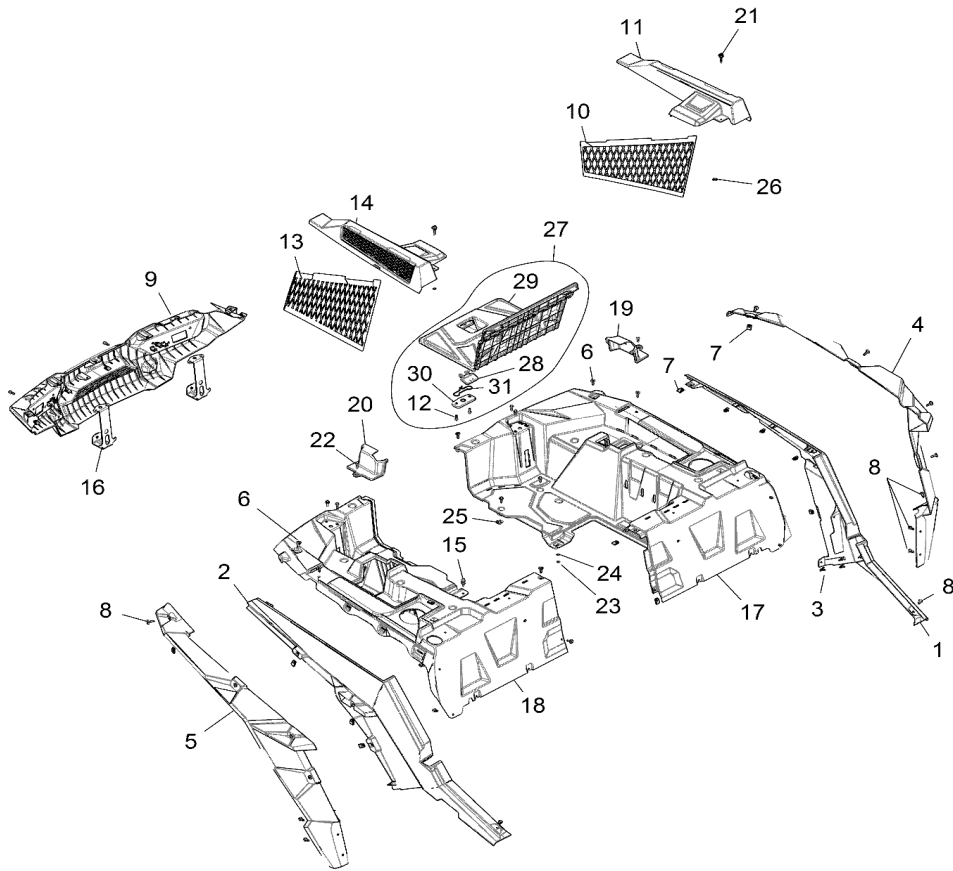
2018 RZR XP 4 1000 MD (R07) - Z18VFE99NK



POS	SAP	Part Name	Qty
1	1006286	ASM-FNDR,PNT,RR,CLIP,LH,P.BLK [INCL. QTY 6 OF 3]	1
2	1006287	ASM-FNDR,PNT,RR,CLIP,RH,P.BLK [INCL. QTY 6 OF 3]	1
3	1014466	CLIP, DASH,TRIM, METAL	12
4	1011871	FENDER, REAR FLAIR, LH, BLACK	1
5	1011872	FENDER, REAR FLAIR, RH, BLACK	1
6	1014459	SCR-TXTH-M6X1.0X25 ZFB	AR
7	1014509	NUT, U-TYPE	AR
8	1014589	RIVET	AR
9	1006285	ASM., FASCIA, REAR, DECAL, BLACK [INCL. DECAL]	1
10	-----	SCREEN, INTAKE PRE FILTER, LH	1
11	1006294	ASM., BEZEL, LH, FROG SKINZ	1
12	1039737	SCREW	2
13	-----	SCREEN, INTAKE PRE FILTER, RH	1
14	1006295	ASM., BEZEL, RH, FROG SKINZ	1
15	1039506	PLUNGER, BOX LATCH	1
16	1039884	BRACKET, REAR FASCIA, BLACK	2
17	1011983	BOX-REAR,LH	1
18	1011981	BOX-REAR,RH	1
19	1039911	COVER PLASTIC,REAR ROP,LH,BLK	1
20	1039908	COVER PLASTIC,REAR ROP,RH,BLK	1
21	1014068	KNOB	2
22	1014423	SCREW	2
23	1014499	NUT- M8X1.25, FLG, NYLOC-OLIVE D	1
24	1039798	WASHER, FLAT	1
25	1039799	WASHER, NYLON	3
26	1039818	RETAINER, BOLT	2
27	1006304	ASM-PANEL-BOX,ACCESS,XP4,EU [INCL. DECAL,12,28-31]	1
28	1011830	LEVER, LATCH, SEAT	1
29	-----	PANEL, BOX, ACCESS, BLACK	1
30	1011896	LATCH, COVER PLATE, BLACK	1

BODY, REAR RACK AND FENDERS

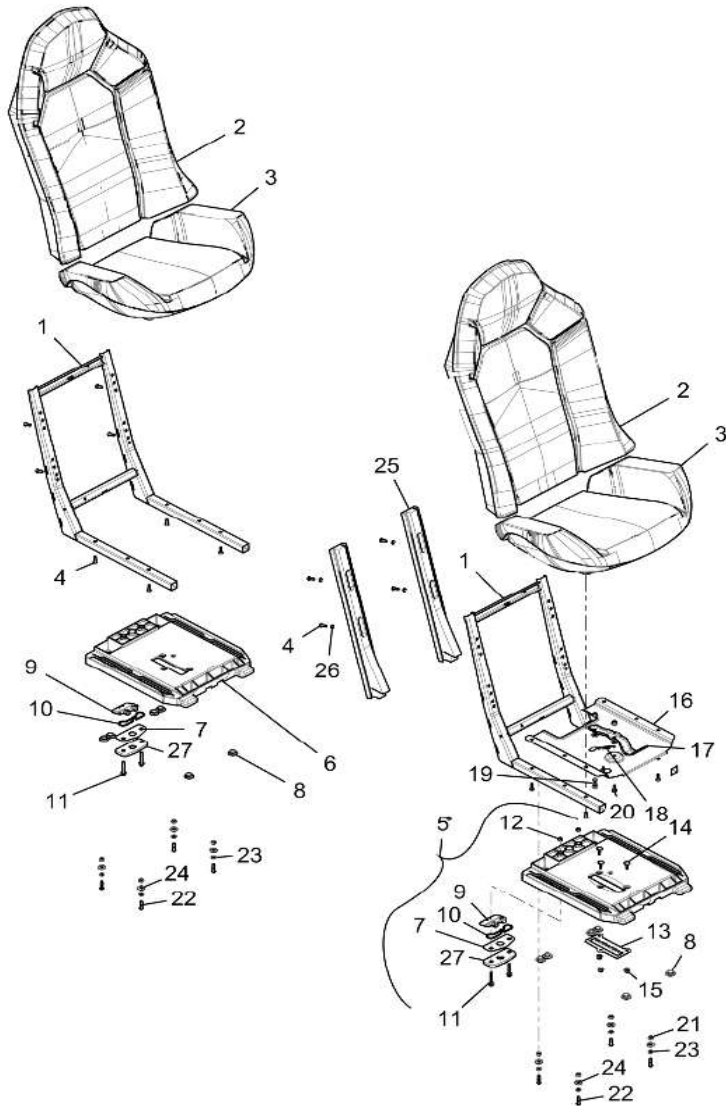
2018 RZR XP 4 1000 MD (R07) - Z18VFE99NK



POS	SAP	Part Name	Qty
31	1014064	SPRING, LATCH, SEAT	1

BODY, SEAT ASM. AND SLIDER

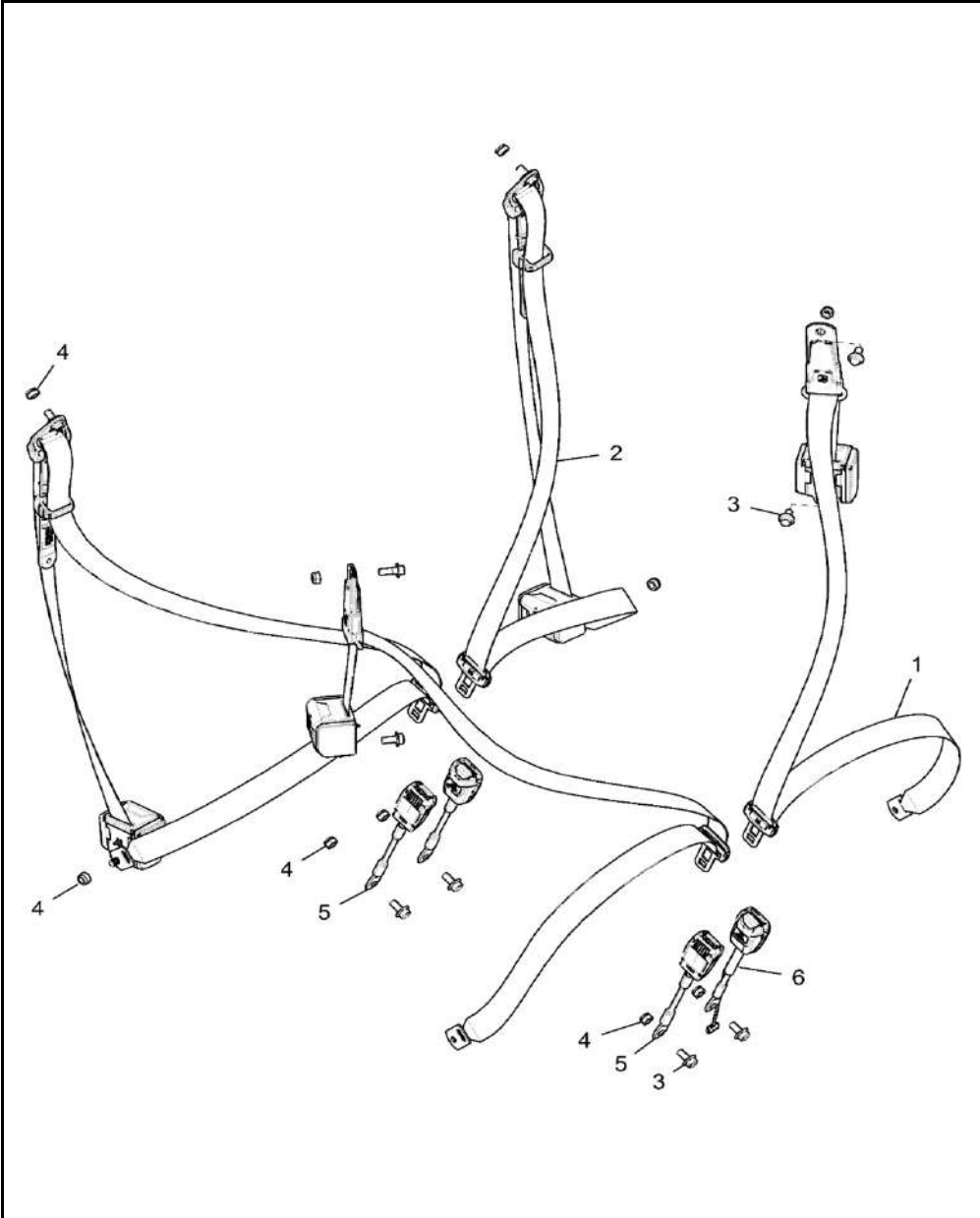
2018 RZR XP 4 1000 MD (R07) - Z18VFE99NK



POS	SAP	Part Name	Qty
1	1039345	FRAME, SEAT	4
2	1039397	ASM-SEAT BACK,HAV RED/BLK [TO 10/10/17]	4
2	1006342	ASM-SEAT BACK,HAV RED/BLK [FROM 10/10/17]	4
3	1039399	ASM-SEAT BTM,HAV RED/BLK [TO 10/10/17]	4
3	1006343	ASM-SEAT BTM,HAV RED/BLK [FROM 10/10/17]	4
4	1014427	SCREW	32
5	1039395	ASM., BASE, SEAT SLIDER [INCL. 6-15, 27]	2
5	1039388	ASM-BASE,SEAT [INCL. 6-12, 27]	2
6	1039570	SEAT-BASE	4
7	1039523	PLATE, LATCH, SEAT	2
8	1039539	GROMMET, SEAT BASE	24
9	1011830	LEVER, LATCH, SEAT	4
10	1014064	SPRING, LATCH, SEAT	4
11	1039663	SCREW	8
12	1039773	NUT-6MM X 1 NYLOK-Z	8
13	1039520	BRACKET, SEAT SLIDER ADJUSTMENT PLATE	2
14	1039712	BOLT, CARRIAGE	6
15	1014499	NUT- M8X1.25, FLG, NYLOC-OLIVE D	10
16	1039527	BRACKET, SEAT SLIDER MOUNTING PLATE	2
17	1033334	BRACKET, SEAT SLIDER LEVER	2
18	1039605	SPRING	2
19	1039706	BOLT, SHOULDER	2
20	1039709	BOLT, SHOULDER	2
21	1039531	TUBE-SPACER	8
22	1039739	SCREW	16
23	1039795	WASHER, SPRING LOCK	16
24	1039798	WASHER, FLAT	16
25	1039897	PAD, SEAT BASE	4
26	1039508	BOLT-SHOULDER SLEEVE	8
27	1011896	LATCH-COVER PLATE,BLK	1

BODY, SEAT BELT MOUNTING

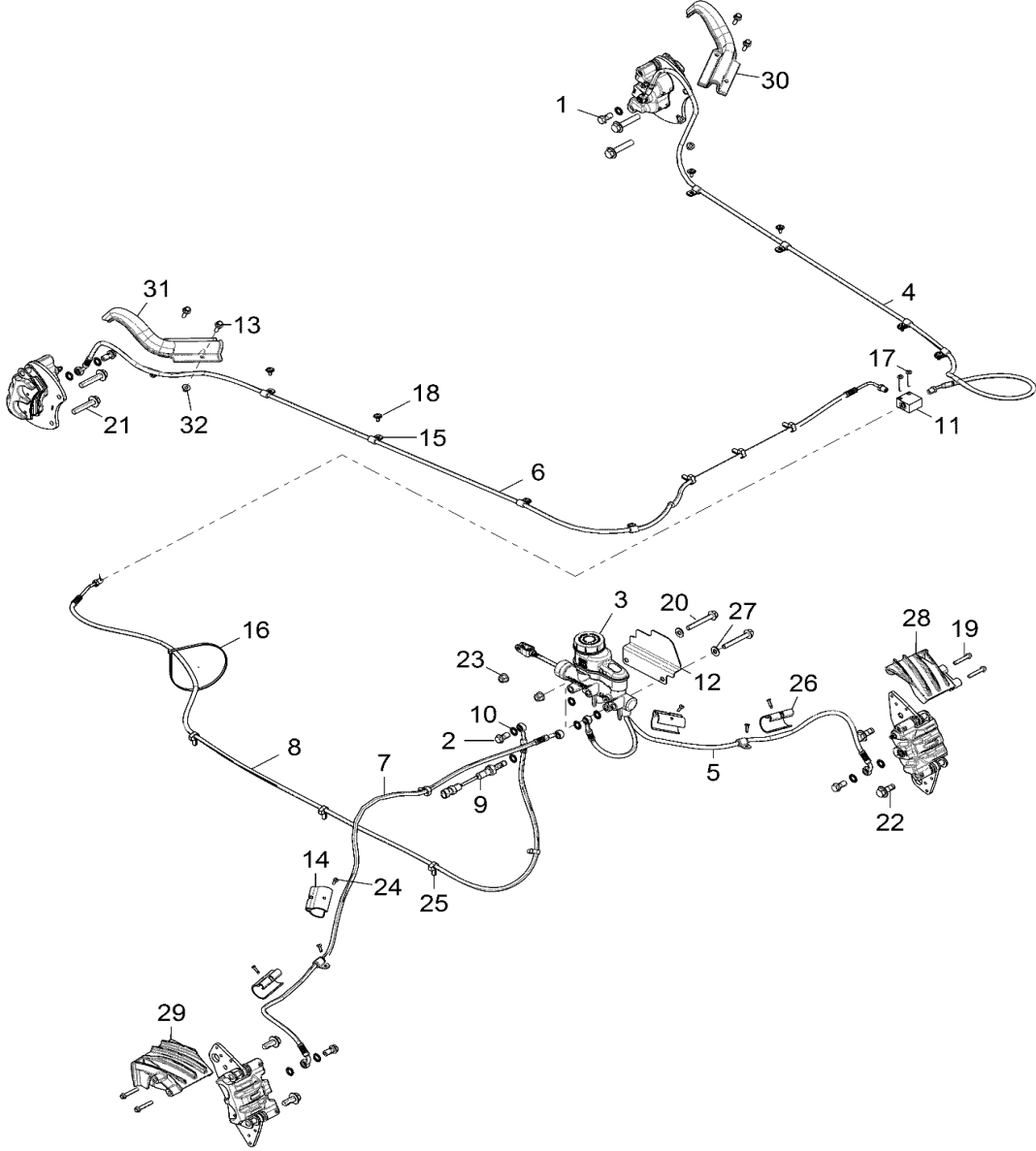
2018 RZR XP 4 1000 MD (R07) - Z18VFE99NK



POS	SAP	Part Name	Qty
1	1006288	ASM., SEATBELT, 3 POINT, FRONT	2
2	1006299	ASM., SEATBELT, 3 POINT	2
3	1039718	SCREW	6
4	1039769	NUT, NYLOK	12
5	1039390	BUCKLE-SEAT BELT	3
6	1039392	BUCKLE, SEATBELT, CABLE 90	1

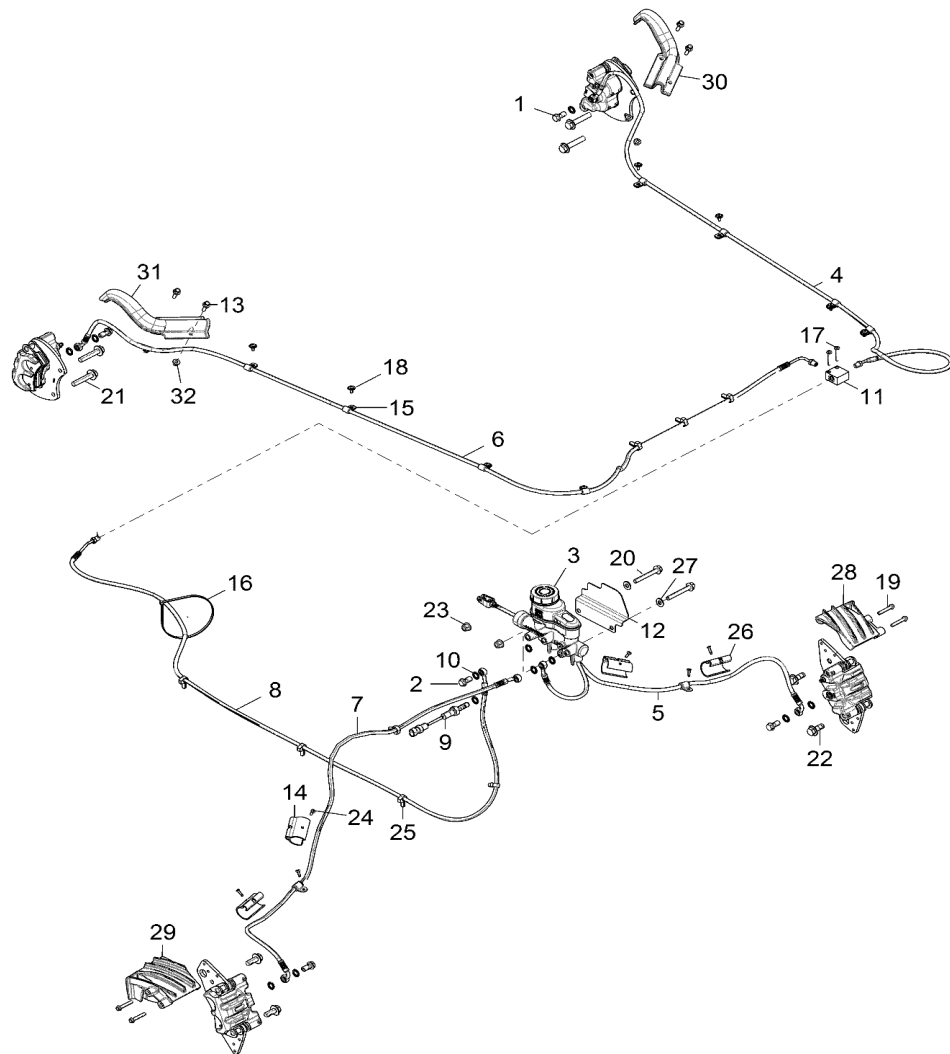
BRAKES, BRAKE LINES AND MASTER CYLINDER

2018 RZR XP 4 1000 MD (R07) - Z18VFE99NK



BRAKES, BRAKE LINES AND MASTER CYLINDER

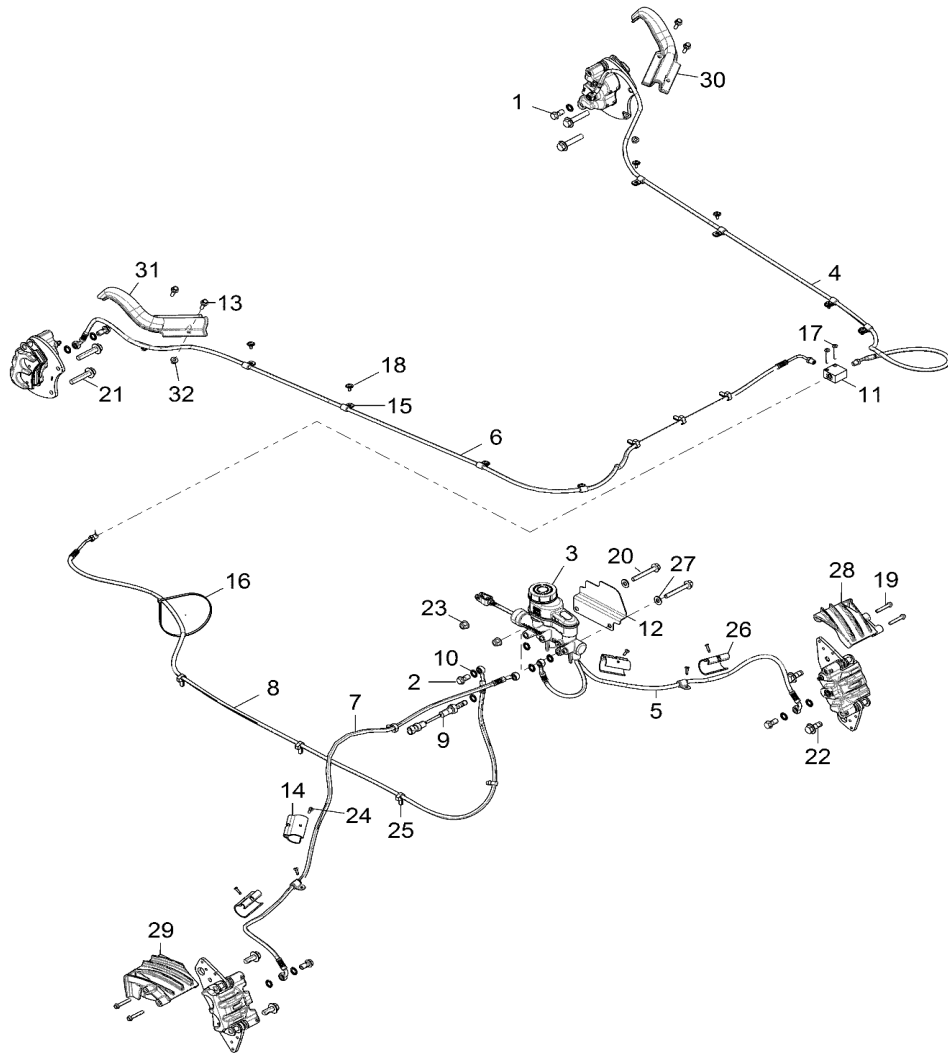
2018 RZR XP 4 1000 MD (R07) - Z18VFE99NK



POS	SAP	Part Name	Qty
1	1039367	BOLT, BANJO	4
2	1039368	BOLT-BANJO, 10MM X 1.25-6G	1
3	1039184	ASM., TANDEM MASTER CYLINDER	1
4	1039369	LINE, BRAKE, RL	1
5	1039038	LINE-BRK,FL,31.9,20B,90SB,180°	1
6	1004295	LINE, BRAKE, REAR	1
7	1039375	LINE-BRK,FR,44.4,70B,90SB,180°	1
8	1039371	LINE, BRAKE, MC/T	1
9	1009582	SWITCH, BRAKE, DOUBLE, SEALED	1
10	1011792	SEAL, STAT	13
11	1039608	FITTING, TEE, BRAKE	1
12	1039524	SHIELD, MASTER CYLINDER	1
13	1039724	SCR-HXFL-M6X1.0X20 8.8 RIE	4
14	1039576	CLIP, BRAKE LINE	2
15	1039629	CLAMP-WIRE/TUBE .25 DIA	10
16	1039813	CLIP-NYLON,C,FIR-TREE	1
17	1039655	SCREW	2
18	1039667	SCREW	10
19	1014452	SCR-HXFL,M6X1.0X35,W/PATCHLOK	4
20	1039746	SCREW	2
21	1039691	BOLT, HEX FLANGE	4
22	1039704	BOLT, HEX FLANGE W/PATCH	4
23	1014499	NUT- M8X1.25, FLG, NYLOC-OLIVE D	2
24	1039807	RIVET	6
25	1039816	CLIP	8
26	1039577	CLIP, BRAKE LINE, INNER	2
27	1039800	WASHER	2
28	1039591	SCRAPER,RZR,1K,FRONT,LH	1
29	1039592	SCRAPER,RZR,1K,FRONT,RH	1
30	1039582	GUIDE,RZR,XP,REAR,LH	1

BRAKES, BRAKE LINES AND MASTER CYLINDER

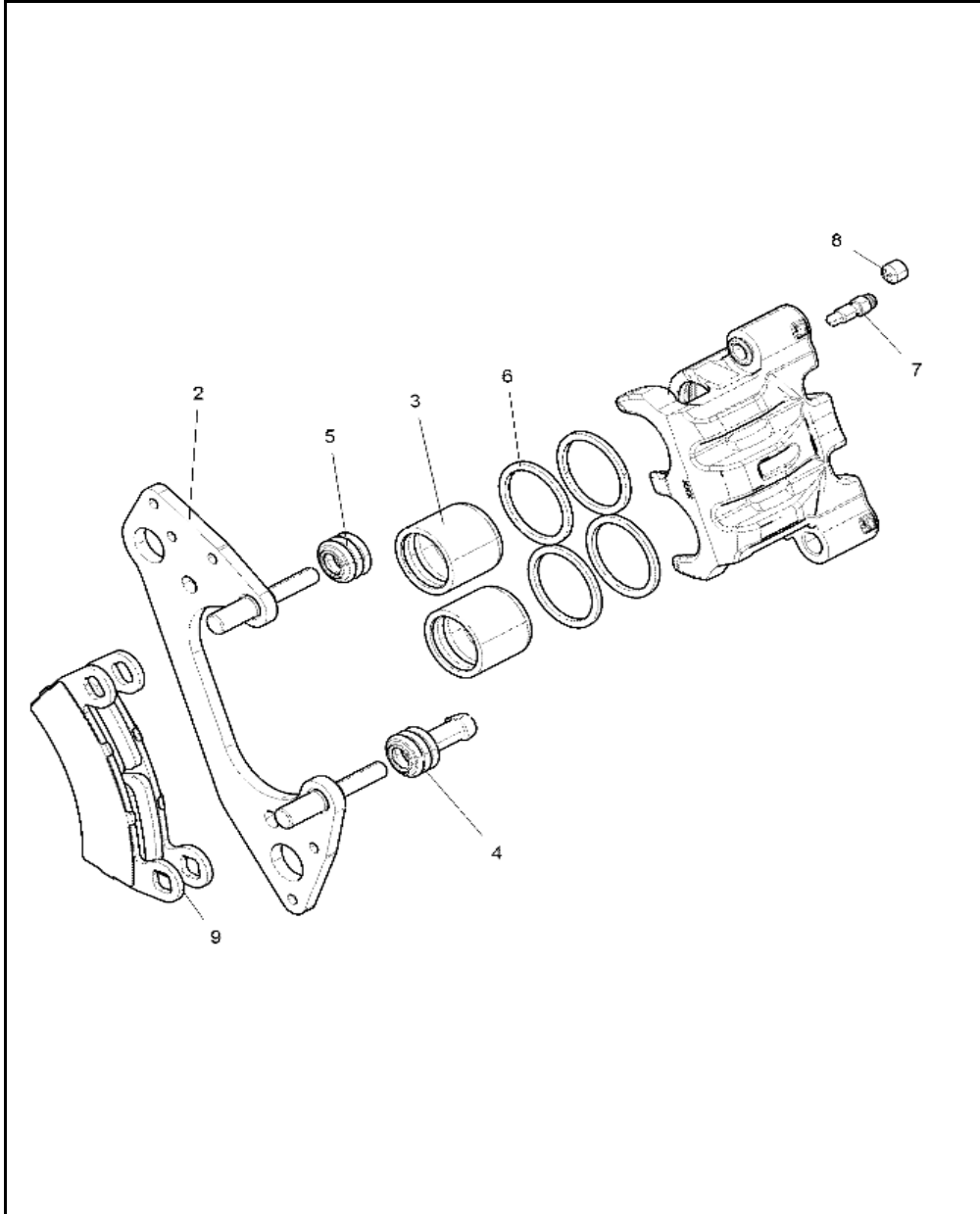
2018 RZR XP 4 1000 MD (R07) - Z18VFE99NK



POS	SAP	Part Name	Qty
31	1039583	GUIDE,RZR,XP,REAR,RH	1
32	1039789	NUT-HXFL-M6X1.0 8 ZB3 NYL	4

BRAKES, FRONT CALIPER

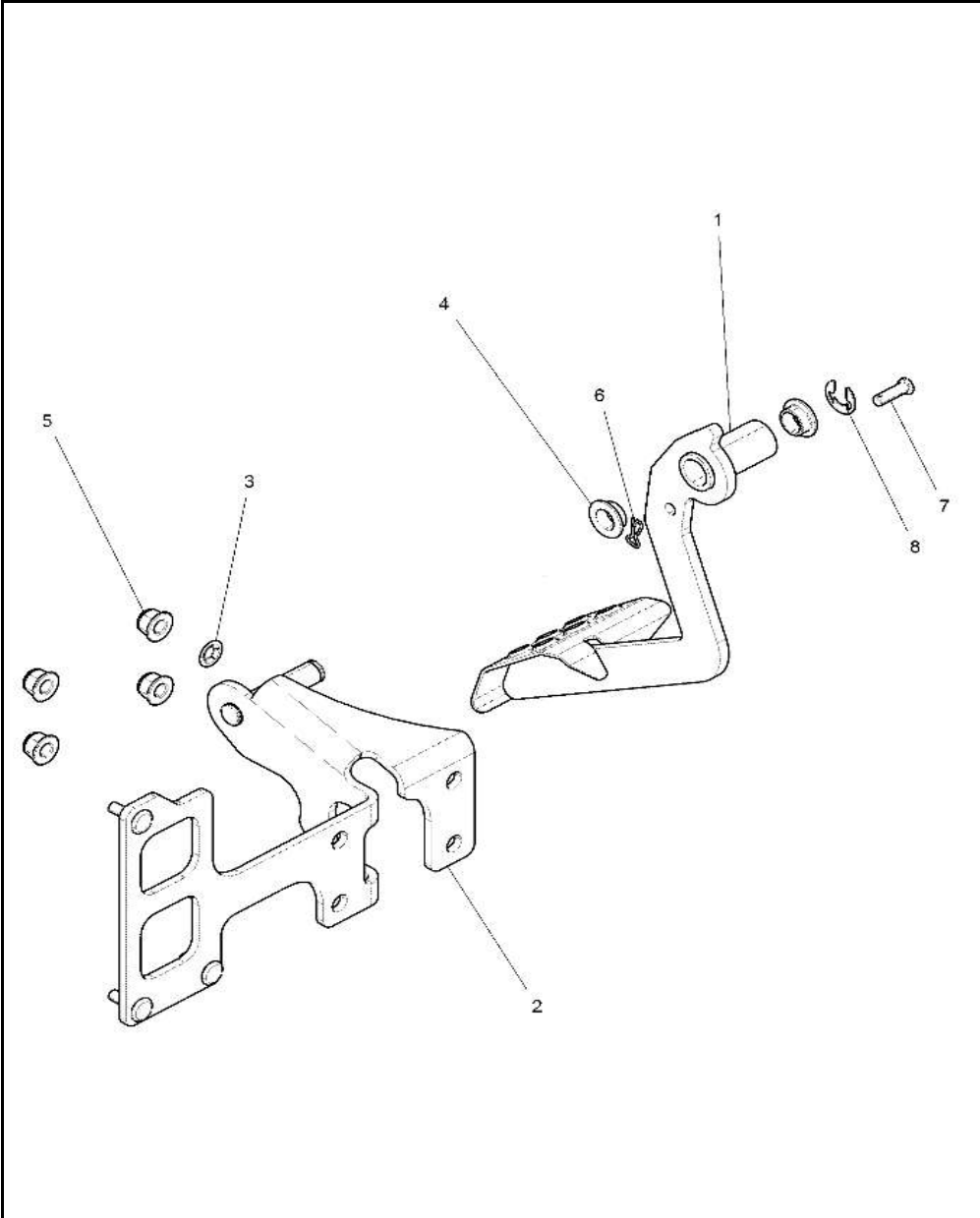
2018 RZR XP 4 1000 MD (R07) - Z18VFE99NK



POS	SAP	Part Name	Qty
1	1039372	ASM., BRAKE CALIPER, LH, XL, SS [INCL. ALL]	1
1	1039373	ASM., BRAKE CALIPER, RH, XL, SS [INCL. ALL]	1
2	1039374	ASM., CALIPER MOUNT, DOUBLE	1
3	1011210	PISTON, CALIPER	2
4	1011787	BOOT, PIN BUSHING	1
5	1011788	BOOT, PIN SEAL	1
6	1011791	SEAL, CALIPER, INNER	4
7	1014062	SCREW, BLEEDER	1
8	1014436	SCREW	1
9	1005164	KIT, BRAKE PAD ASM. [INCL. 2 PADS]	1
9	1045125	K-ASM,HD,PAD,BRK,DB,1.375 (HEAVY DUTY) [OPTION][2 PADS PER KIT]	1

BRAKES, PEDAL

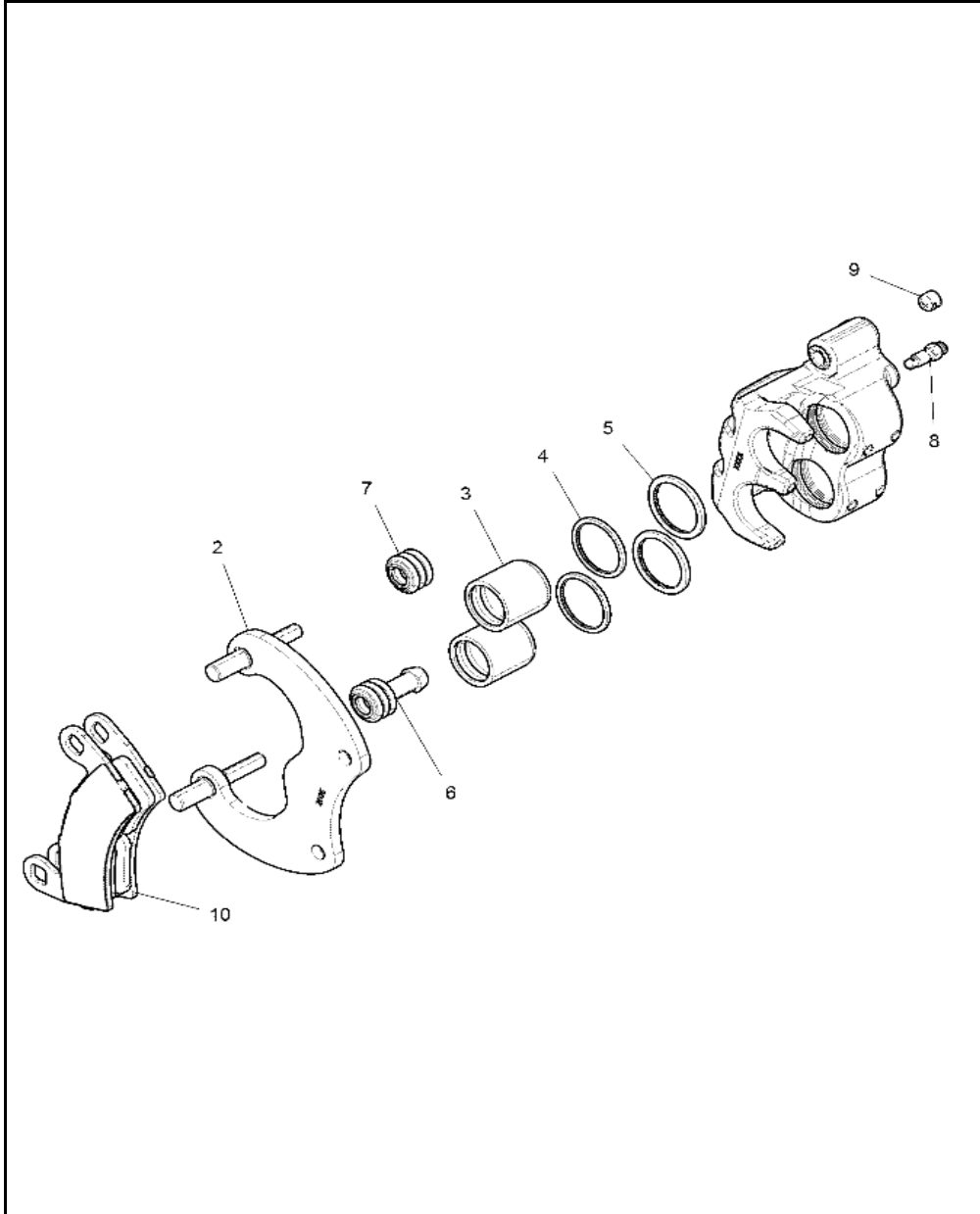
2018 RZR XP 4 1000 MD (R07) - Z18VFE99NK



POS	SAP	Part Name	Qty
1	1001526	PEDAL, BRAKE, MATTE BLACK	1
2	1039823	MOUNT, PEDAL, BLACK	1
3	1039776	NUT, PAL	1
4	1039567	BUSHING, PEDAL PIVOT	2
5	1014499	NUT- M8X1.25, FLG, NYLOC-OLIVE D	4
6	1039808	PIN, CLIP	1
7	1039809	PIN, CLEVIS	1
8	1039821	RING, RETAINING	1

BRAKES, REAR CALIPER

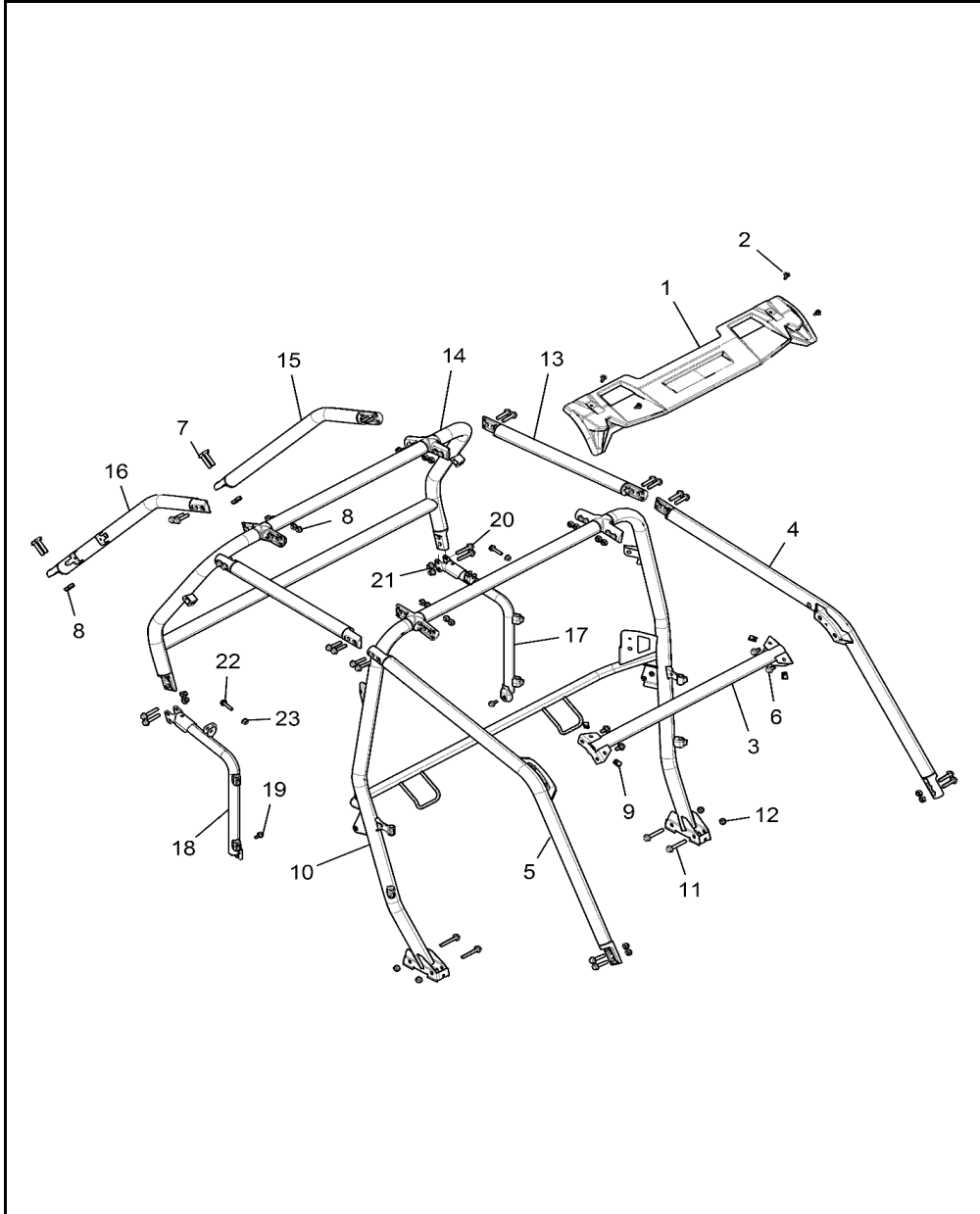
2018 RZR XP 4 1000 MD (R07) - Z18VFE99NK



POS	SAP	Part Name	Qty
1	1039243	ASM., BRAKE CALIPER, LH, DOUBLE GROOVED [INCL. ALL]	1
1	1039370	ASM., BRAKE CALIPER, RH, DOUBLE GROOVED [INCL. ALL]	1
2	1004294	ASM., CALIPER, MOUNT, REAR, DOUBLE	1
3	1011205	PISTON, BRAKE, GROOVED	2
4	1011749	SQUARE RING, MOLDED	2
5	1011750	SQUARE RING, MOLDED	2
6	1011787	BOOT, PIN BUSHING	1
7	1011788	BOOT, PIN SEAL	1
8	1014062	SCREW, BLEEDER	1
9	1014436	SCREW	1
10	1005164	KIT, BRAKE PAD ASM. [INCL. 2 PADS]	1
10	1045125	K-ASM,HD,PAD,BRK,DB,1.375 (HEAVY DUTY) [OPTION][2 PADS PER KIT]	1

CHASSIS, CAB FRAME

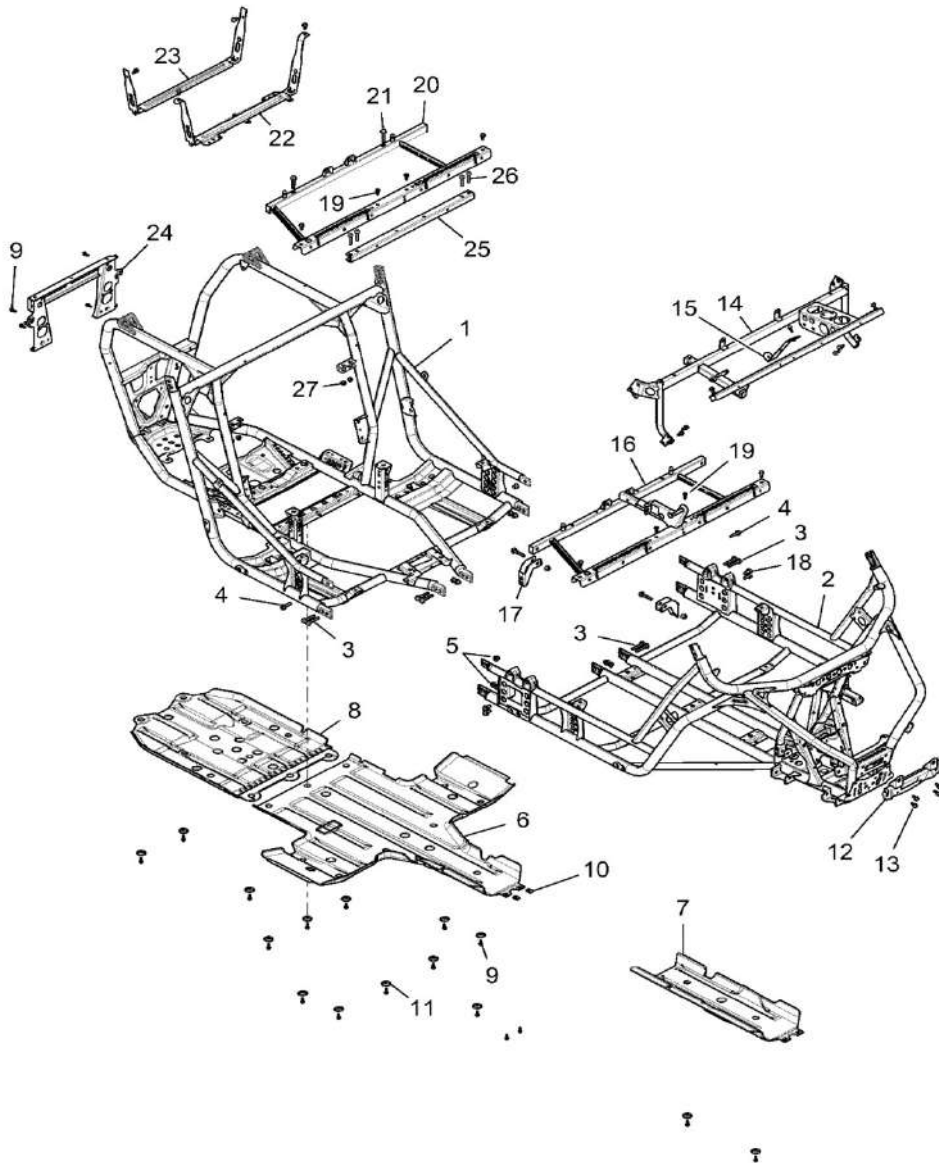
2018 RZR XP 4 1000 MD (R07) - Z18VFE99NK



POS	SAP	Part Name	Qty
1	1011901	PANEL, VISOR TRIM, BLACK	1
2	1014459	SCR-TXTH-M6X1.0X25 ZFB	4
3	1001509	ROPS, FRONT, CROSS, MATTE BLACK	1
4	1001501	ROPS, MP, LH, MATTE BLACK	1
5	1001502	ROPS, MP, RH, MATTE BLACK	1
6	1039759	SCREW	4
7	1014470	SCREW	24
8	1039793	NUT	24
9	1014509	NUT, U-TYPE	4
10	1001530	WELD-HOOP,ROPS,MID,MP,M BLK	1
11	1014469	SCREW	4
12	1039780	NUT, NYLOK	4
13	1001503	BRACE, ROPS, MID, MATTE BLACK	2
14	1001529	WELD-HOOP,ROPS,REAR,MP,M BLK	1
15	1001532	WELD-ROPS,REAR,NO RES,MP,LH,BK	1
16	1001531	WELD-ROPS,REAR,NO RES,MP,RH,BK	1
17	1001527	BOLSTER, LH, MATTE BLACK	1
18	1001528	BOLSTER, RH, MATTE BLACK	1
19	1039670	BOLT	2
20	1014471	SCREW	4
21	1014500	NUT, FLANGE, NYLOK	4
22	1014464	SCR-HXFL-M8X1.25X35 8.8 ZPB	2
23	1039790	NUT-HXFL-M8X1.25 8 ZB3 NYL	2

CHASSIS, MAIN FRAME AND SKID PLATES

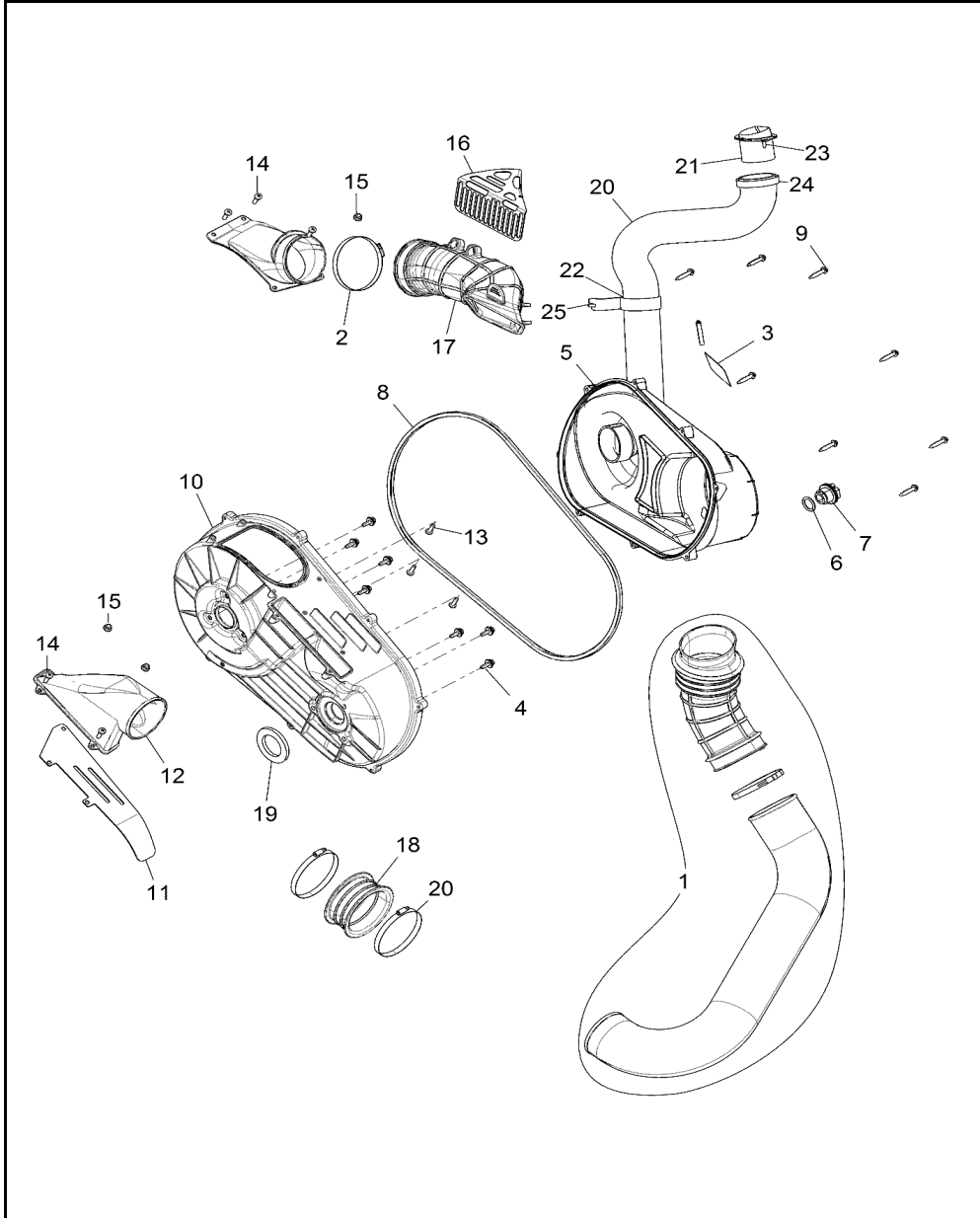
2018 RZR XP 4 1000 MD (R07) - Z18VFE99NK



POS	SAP	Part Name	Qty
1	1039829	FRAME, MAIN, MATTE BLACK	1
2	1039830	WELD-MAINFRAME,FRT,MP,SWY,MBLK	1
3	1014453	SCREW	10
4	1039751	SCREW	2
5	1014500	NUT, FLANGE, NYLOK	12
6	1039902	PLATE, SKID, BLACK	1
7	1039904	PLATE, SKID, BLACK	1
8	1039910	PLATE, SKID, REAR, BLACK	1
9	1039683	SCREW	22
10	1014509	NUT, U-TYPE	2
11	1039802	WASHER, SKID PLATE	15
12	1029999	BRACKET, SUSPENSION, MOUNT, FRONT, MATTE BLACK	1
13	1039688	BOLT	AR
14	1039828	DASH, BLACK	1
15	1039881	BRACKET, DIN MOUNT, BLACK	1
16	1039827	BASE, SEAT, MP, BLACK	1
17	1039885	BRACKET, SEAT SUPPORT, FRONT, MP, BLACK	2
18	1039710	SCREW	4
19	1014459	SCR-TXTH-M6X1.0X25 ZFB	4
20	1039825	BASE, SEAT, REAR, BLACK	1
21	1039673	BOLT	2
22	1039891	BRACKET, BOX STRAP, BLACK	1
23	1039892	BRACKET, BOX SUPPORT, REAR, BLACK	1
24	1039824	SUPPORT, REAR, MATTE BLACK	1
25	1039889	BRKT-CLOSE OFF SUPPORT,BLK	1
26	1039659	SCREW	4
27	1014499	NUT- M8X1.25, FLG, NYLOC-OLIVE D	4

DRIVE TRAIN, CLUTCH COVER AND DUCTING

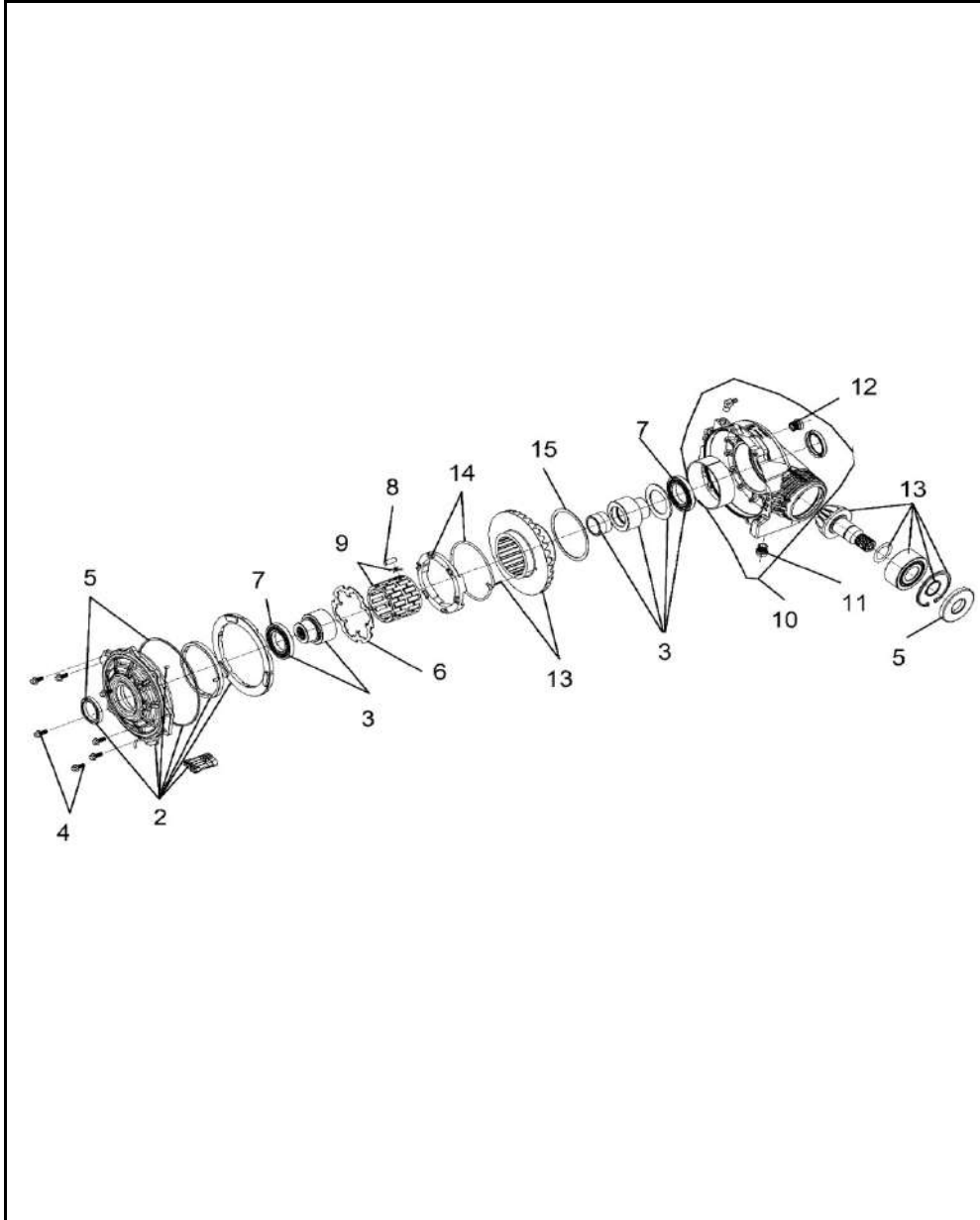
2018 RZR XP 4 1000 MD (R07) - Z18VFE99NK



POS	SAP	Part Name	Qty
1	1039351	ASM., INTAKE, CLUTCH DUCT	1
2	1039634	CLAMP, WORM DRIVE	3
3	1039641	DECAL-BELT,WARNING/CHECK	1
4	1014451	ASM., BOLT AND WASHER	7
5	-----	ASM., COVER, CLUTCH, OUTER [INCL. 6,7]	1
6	1039532	O-RING	1
7	1011827	PLUG, DRAIN, CLUTCH COVER	1
8	1012150	SEAL, OUTER CLUTCH COVER	1
9	1039748	SCREW	8
10	1034317	ASM., COVER, CLUTCH, INNER [INCL. 11-15]	1
11	1039513	BRACKET, GUARD, CLUTCH COVER	1
12	1039563	DUCT, CLUTCH, AIR INLET	1
13	1039685	SCREW	3
14	1039734	SCREW	5
15	1039789	NUT-HXFL-M6X1.0 8 ZB3 NYL	3
16	1039514	BRACKET, SCREEN, BELT	1
17	1039548	HOSE, CLUTCH, AIR OUTLET	1
18	1039595	BOOT, INTAKE, CLUTCH	1
19	1034416	SEAL, COVER, PTO	1
20	1039559	HOSE, CLUTCH INTAKE	1
21	1039578	BOOT, PLASTIC, INTAKE	1
22	1039639	CLAMP, LARGE	1
23	1045772	SCREW	2
24	1039623	CLAMP-HOSE,3.75,SS	2
25	1044268	SCR-TFHFL-M6X1.0X25,ZOD	1

DRIVE TRAIN, FRONT GEARCASE

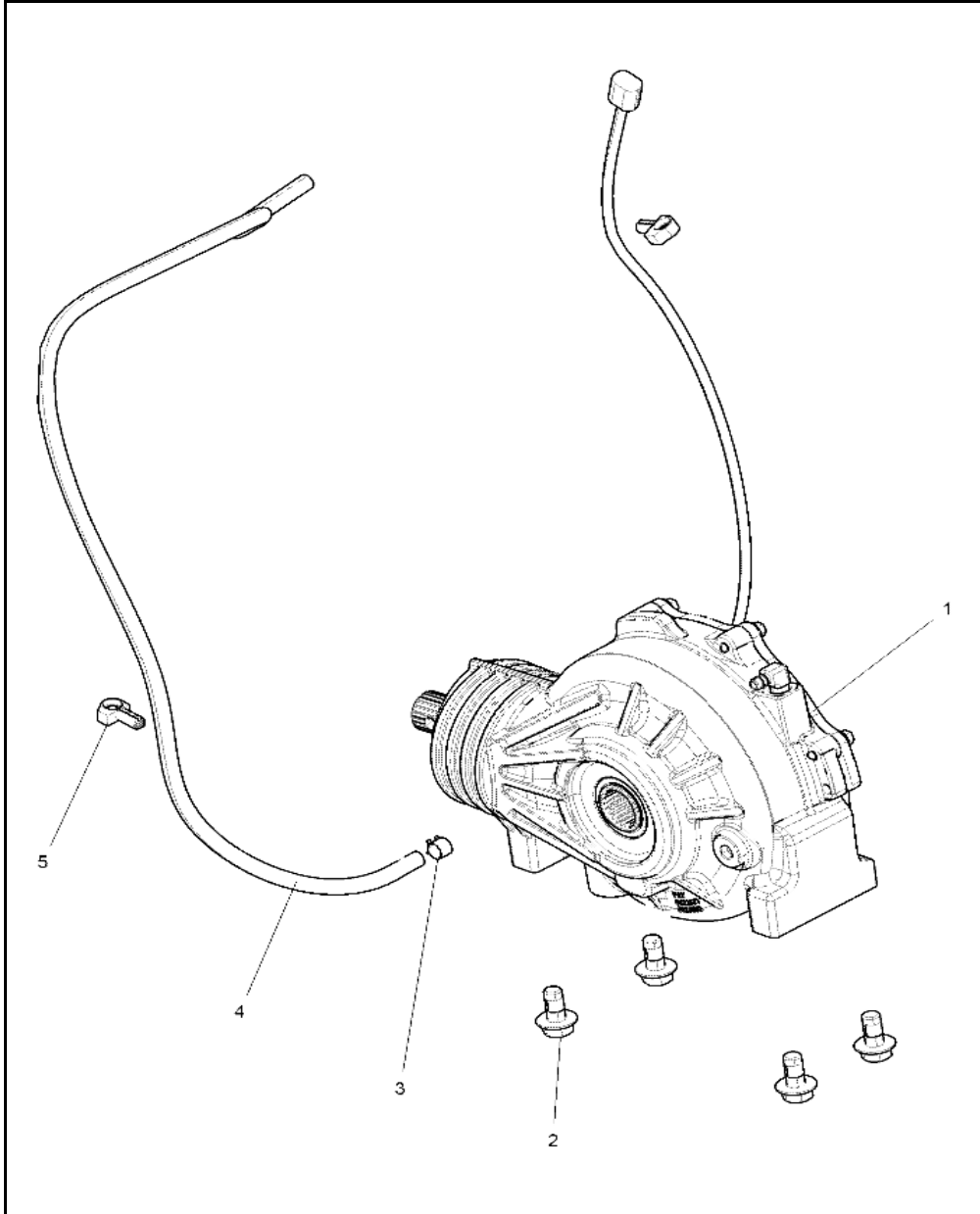
2018 RZR XP 4 1000 MD (R07) - Z18VFE99NK



POS	SAP	Part Name	Qty
1	1039359	ASM-GEARCASE,FRONT [INCL. ALL]	1
2	1039473	ASM., COVER OUTPUT	1
3	1039483	ASM., OUTPUT HUB	1
4	1039461	KIT, COVER FASTENERS [INCL. 7 FASTENERS]	1
5	1039475	COMPLETE SEAL REPAIR	1
6	1039476	PLATE, 4WD ARMATURE	1
7	1039481	BEARING	1
8	1039462	KIT, CLUTCH, ROLLERS [INCL. FULL ROLLER SET OF 24]	1
9	1039463	ASM., ROLL CAGE [INCL. ROLL CAGE AND 24 H-CLIPS]	1
10	1039477	ASM., GEARCASE	1
11	1005147	PLUG, DRAIN	1
12	1005148	PLUG, FILL	1
13	1039479	ASM., GEAR HOUSING AND PINION GEAR	1
14	1039464	SPRING, TORSION AND RETAINER	1
15	1039439	SPACER, GEAR	1

DRIVE TRAIN, FRONT GEARCASE MOUNTING

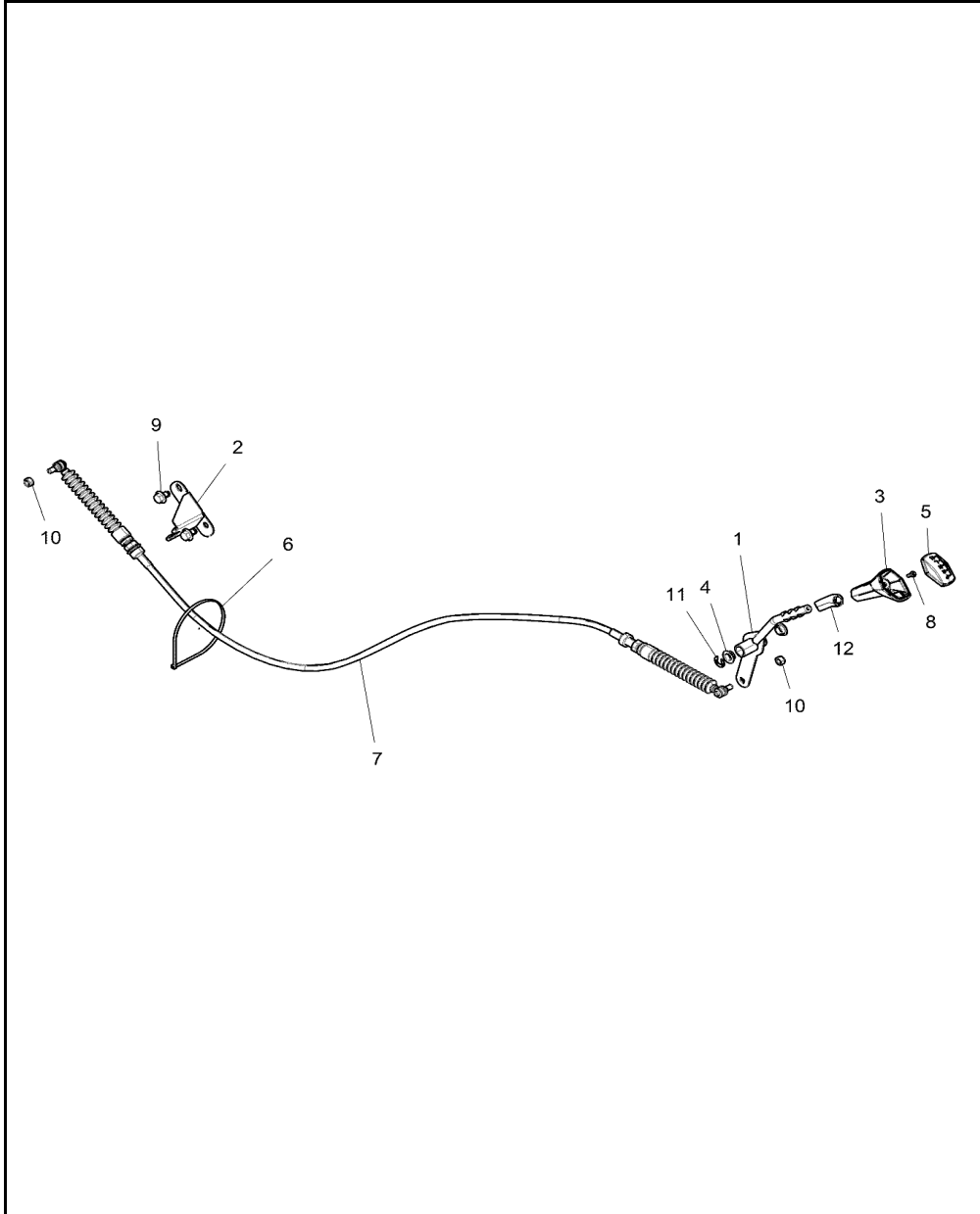
2018 RZR XP 4 1000 MD (R07) - Z18VFE99NK



POS	SAP	Part Name	Qty
1	-----	ASM., GEARCASE, FRONT	1
2	1039672	SCR-HXFL-M10X1.5X20 8.8 Z NYL	4
3	1039613	CLAMP, HOSE	1
4	1039915	LINE-BOOST,3/16 ID,85 CM	1
5	1039816	CLIP	2

DRIVE TRAIN, GEAR SELECTOR

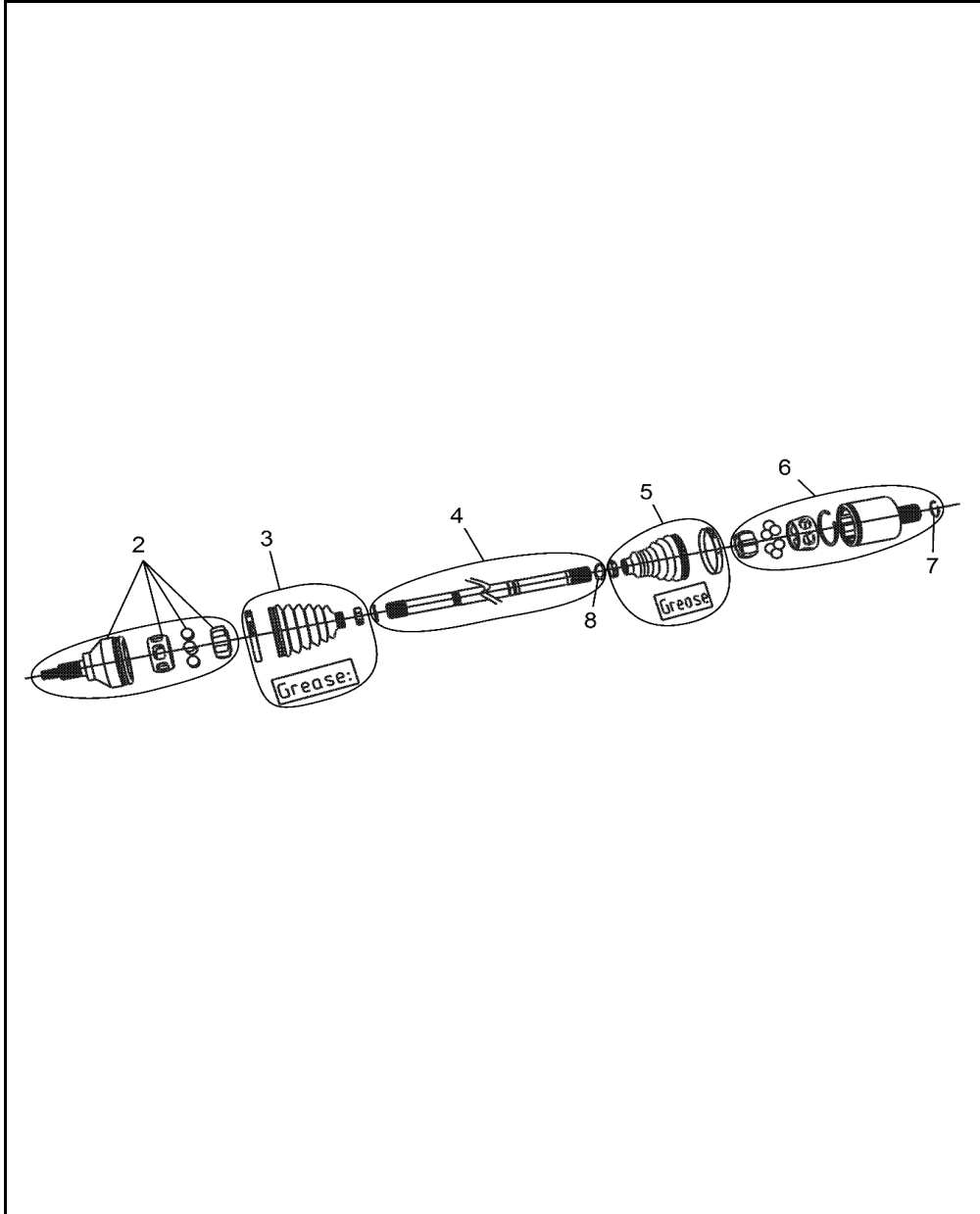
2018 RZR XP 4 1000 MD (R07) - Z18VFE99NK



POS	SAP	Part Name	Qty
1	1039364	LEVER, SHIFT	1
2	1039518	BRACKET, SHIFT CABLE	1
3	1011805	KNOB, GEAR SELECTOR SHIFT	1
4	1039567	BUSHING, PEDAL PIVOT	2
5	1011892	COVER, SHIFT	1
6	1014060	CABLE-TIE,10-102MM,WEATH.-RES.	1
7	1014074	CABLE, SHIFT	1
8	1039654	SCREW	1
9	1039756	BOLT	2
10	1039779	NUT, NYLOK	2
11	1039821	RING, RETAINING	1
12	1039580	SPACER, BOOT	1

DRIVE TRAIN, HALF SHAFT, FRONT

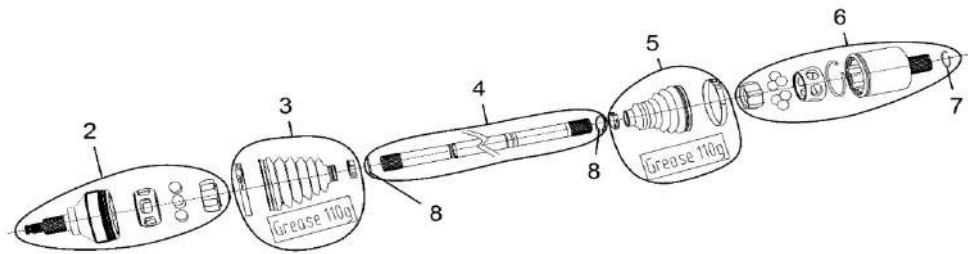
2018 RZR XP 4 1000 MD (R07) - Z18VFE99NK



POS	SAP	Part Name	Qty
1	1039360	ASM-HALFSHAFT,FRONT,8.8 [INCL. ALL]	1
2	1007483	OUTER JOINT	1
3	1007464	BOOT KIT	1
4	1007475	BAR	1
5	1039037	BOOT KIT	1
6	1007476	INNER JOINT	1
7	1039469	CIRCLIP	1
8	1039470	CIRCLIP	1

DRIVE TRAIN, HALF SHAFT, REAR

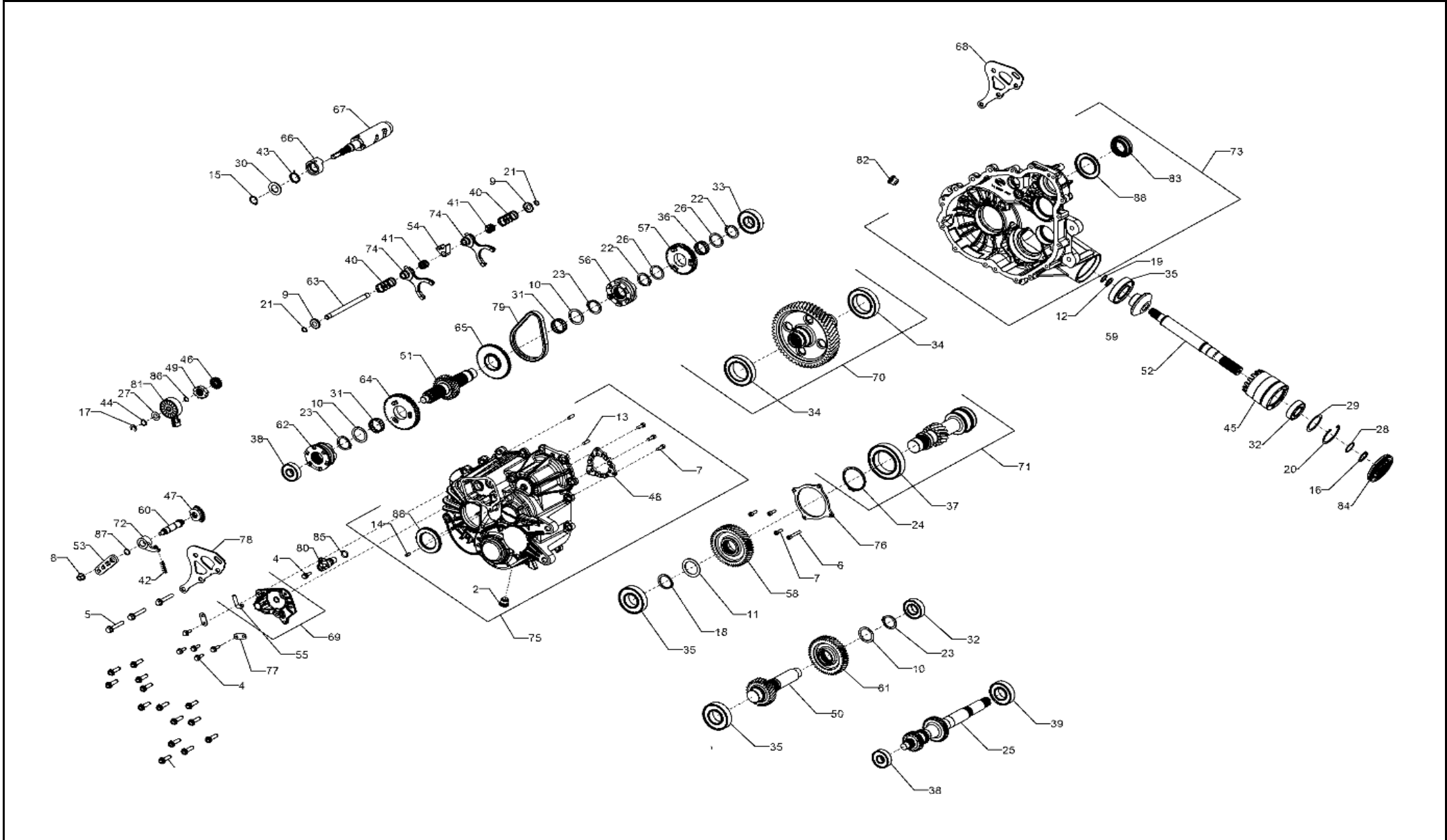
2018 RZR XP 4 1000 MD (R07) - Z18VFE99NK



POS	SAP	Part Name	Qty
1		ASM-HALFSHAFT,FRONT,8.8 [INCL. ALL][FROM 1/14/2019]	1
1	1002890	ASM-HALFSHAFT,REAR,8.8,64 [INCL. ALL][TO 1/14/2019]	1
2	1007483	OUTER JOINT	1
3	1007464	BOOT KIT OUTER [USE W/1333944]	1
3	1047010	K-BOOT,OUTER [USE W/1334308]	1
4	1007465	BAR	1
5	1007466	BOOT KIT [USE W/1333944]	1
5	1047011	BOOT KIT [USE W/1334308]	1
6	1007467	INNER JOINT	1
7	1007468	CIRCLIP	1
8	1007469	CIRCLIP	1

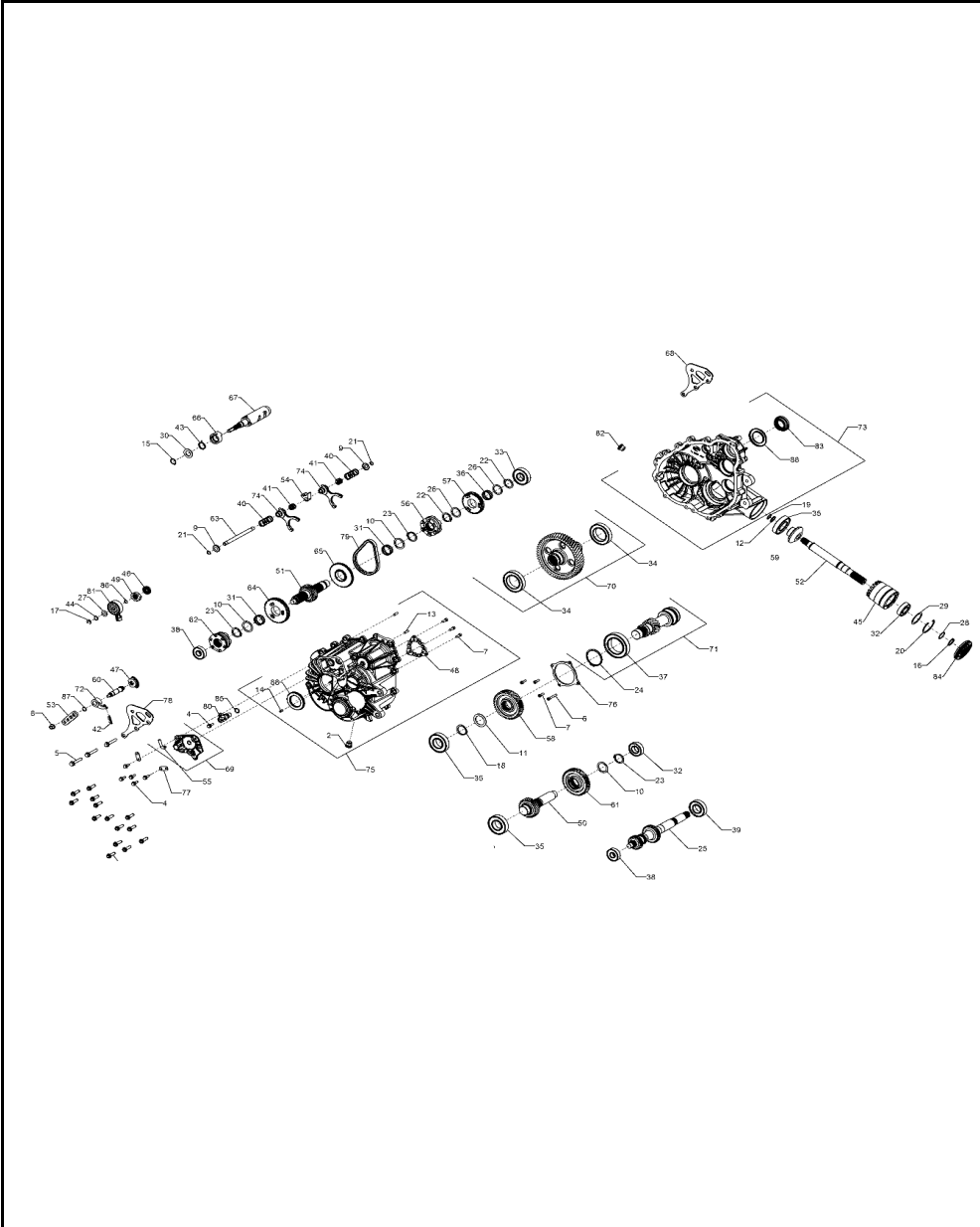
DRIVE TRAIN, MAIN GEARCASE INTERNALS

2018 RZR XP 4 1000 MD (R07) - Z18VFE99NK



DRIVE TRAIN, MAIN GEARCASE INTERNALS

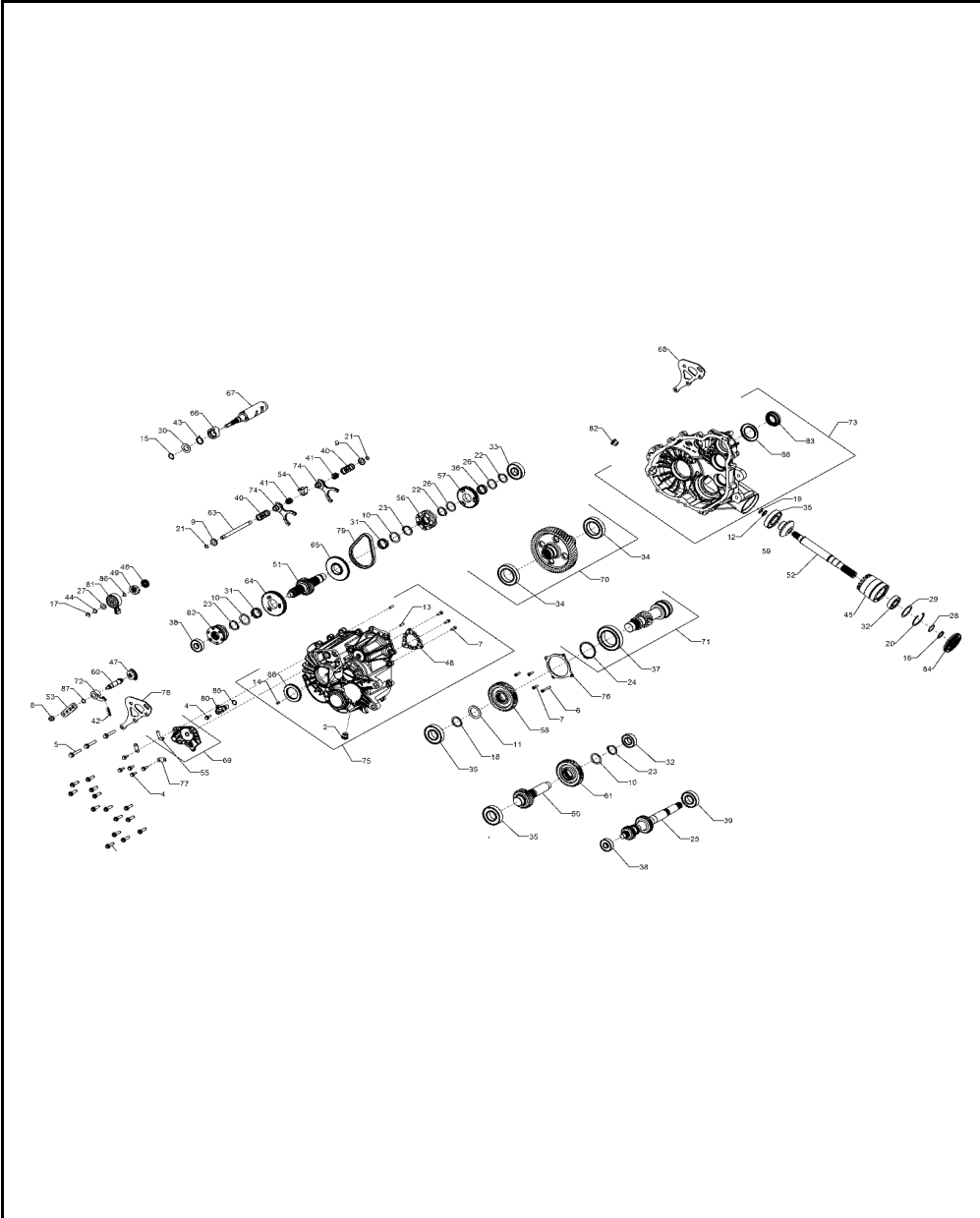
2018 RZR XP 4 1000 MD (R07) - Z18VFE99NK



POS	SAP	Part Name	Qty
1	1002888	ASM-GEARCASE,COMPLETE [INCL ALL]	1
2	1007449	PLUG, M18 X 1.5, MAGNETIC	1
3	1039441	SCREW, HEX FLANGE HEAD, M8 X 1.25 X 30	14
4	1039443	SCREW, HEX FLANGE HEAD, M6 X 1 X 20	6
5	1039444	SCREW, HEX FLANGE M8 X 50	3
6	1039445	SCREW, SOCKET HEAD, CAP, M6 X 1 X 40	1
7	1039458	SCREW, SOCKET HEAD, CAP, M6 X 1 X 18	6
8	1039446	NUT, LOCK HEX FLANGE, NYLON M8 X 1.25	1
9	1039308	WASHER, CUP	2
10	1039447	WASHER, 32.3 X 42 X 1.5	3
11	1007454	WASHER, 35.6 X 50 X 1.5	1
12	1039450	WASHER, 17.3 X 25 X 1.5	1
13	1039438	PIN, DOWEL, 6 X 20	2
14	1039604	PIN, SPRING, SLOTTED 6 X 12	1
15	1039310	RING, RETAINING BASIC, EXTERNAL 0.75	1
16	1039421	RING, RETAINING BASIC, EXTERNAL 0.984	1
17	1039426	RING, SNAP	1
18	1007433	RING, RETAINING, SHAFT, DIA. 1.375	1
19	1039437	RING, RETAINING, EXTERNAL SHR-66	1
20	1039432	RING, RETAINING BASIC, INTERNAL 2.047	1
21	1039428	RING, RETAINING BASIC, EXTERNAL 0.428	2
22	1039430	RING, RETAINING,	2
23	1039451	RING, EXTERNAL SNAP, 32 X 2.4	3
24	1039311	RING, RETAINING, VSH-237	1
25	1007471	SHAFT, INPUT, 42T/20T/31T	1
26	1039423	WASHER, THRUST, 1.187 X 1.5 X 0.06	2
27	1039440	WASHER, THRUST, 0.446 X 0.88 X 0.025	1
28	1039433	SHIM, 1.18 OD X 0.995 ID	1
29	1039434	SHIM, 2.04 OD X 1.63 ID	1
30	1039312	SPACER, 19.4 X 34 X 2	1

DRIVE TRAIN, MAIN GEARCASE INTERNALS

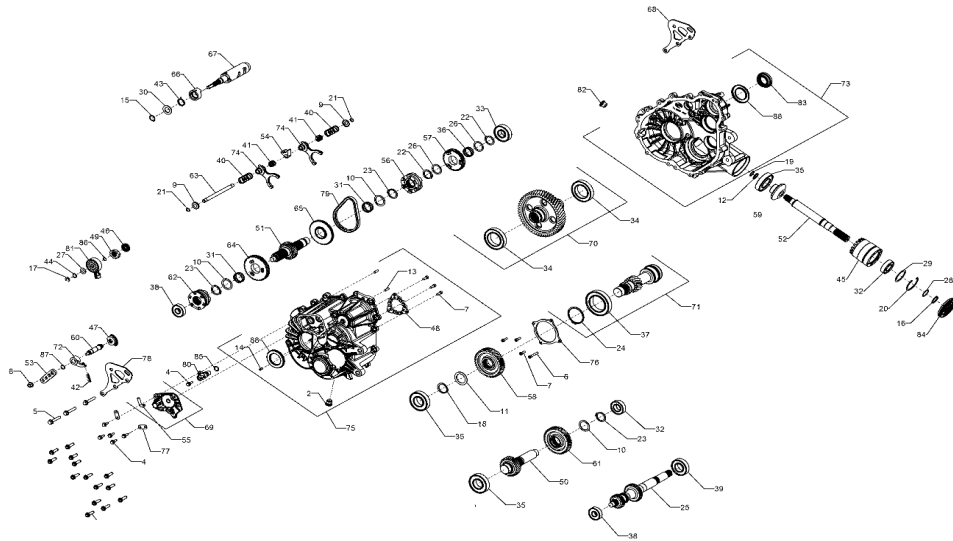
2018 RZR XP 4 1000 MD (R07) - Z18VFE99NK



POS	SAP	Part Name	Qty
31	1039419	BEARING, NEEDLE, CAGE ASSY	2
32	1007432	BEARING, BALL, 6205 C3 25X52X15	2
33	1039313	BEARING, BALL, 6305 C3, 25 X 62 X 17	1
34	1039314	BEARING, BALL, 6010 C3 50X80X16	2
35	1007437	BEARING, BALL, 6207 C3 35X72X17	3
36	1039424	BEARING, NEEDLE, CAGE ASSY	1
37	1039309	BEARING, BALL 6012 C3, 60 X 95 X 18	1
38	1007445	BEARING, BALL 6303, 17 X 47 X 14	2
39	1007460	BEARING, BALL, 6206RSH2 STD 30X62X16	1
40	1039291	SPRING, COMPRESSION, 0.92 O.D. X 2	2
41	1039292	SPRING, COMPRESSION, 0.46 I.D. X 0.73	2
42	1007444	SPRING, COMPRESSION	1
43	1039293	SPRING, TORSION	1
44	1039456	SPRING, WASHER,	1
45	1039435	TUBE, SNORKEL MACH,	1
46	1039294	GEAR, SECTOR 16T,	1
47	1039295	GEAR, SECTOR, 31T	1
48	1039296	PLATE, PARK, 12-FACE	1
49	1039297	STAR, DETENT,	1
50	1007455	SHAFT, IDLER 29T,	1
51	1039298	SHAFT-REVERSE,27T(285878)	1
52	1039460	SHAFT, FRONT OUTPUT,	1
53	1039299	BELLCRANK, 92 DEGREE	1
54	1039300	COLLAR, SHIFT,	1
55	1039431	TUBE, VENT, 90 -1/4" HOSE	1
56	1039301	ENGAGEMENT DOG,, 6-FACE	1
57	1039302	GEAR, 53T,	1
58	1007456	GEAR, 46T STAGE 3,	1
59	1039454	GEAR, 13T SNORKEL,	1
60	1039455	SHAFT, SHIFT	1

DRIVE TRAIN, MAIN GEARCASE INTERNALS

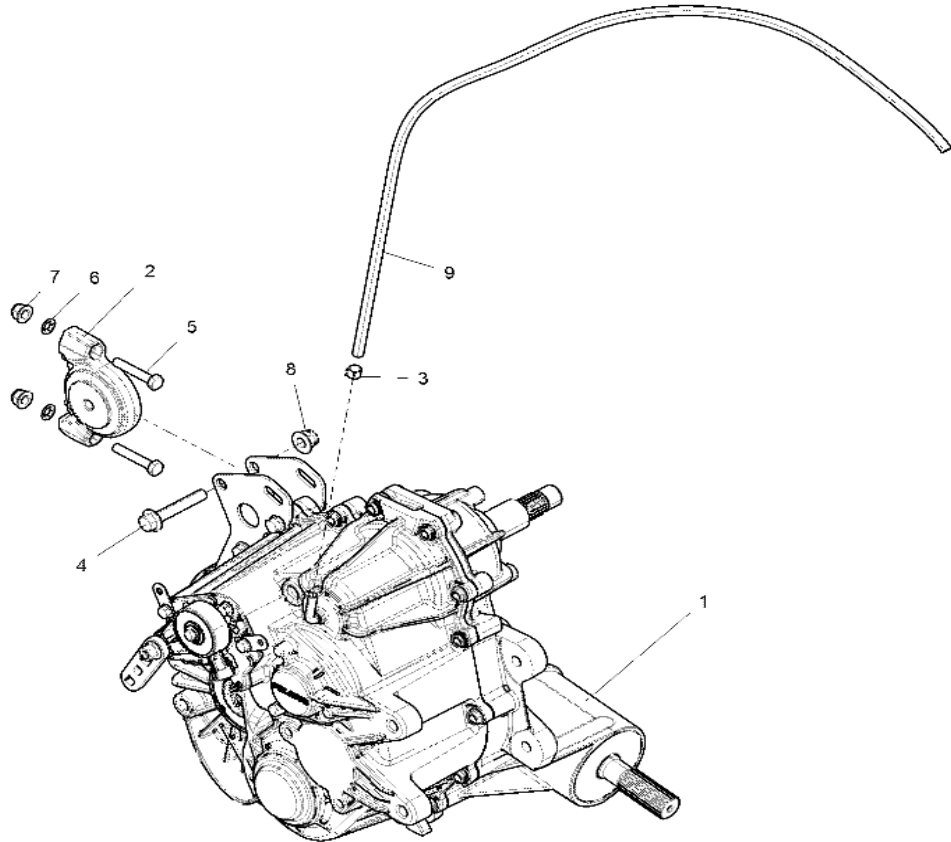
2018 RZR XP 4 1000 MD (R07) - Z18VFE99NK



POS	SAP	Part Name	Qty
61	1039040	GEAR, 46T STAGE 2	1
62	1039303	SHIFT DOG, PARK,	1
63	1039304	RAIL, SHIFT SHAFT,	1
64	1039041	GEAR, LOW 61T	1
65	1007463	SPROCKET 48T, 6-FACE	1
66	1039471	PARK CAM,	1
67	1039472	DRUM, SHIFT MACH,	1
68	1039466	WELDMNT,, REAR MOUNT BRACKET	1
69	1039468	SUBASSEMBLY, SECTOR COVER	1
70	1039305	SUBASSEMBLY, OUTPUT	1
71	1039306	SUBASM.,SHAFT	1
72	1007457	SUBASSEMBLY, PAWL, DETENT, ROLLER	1
73	1039465	SUBASSEMBLY, LH CASE	1
74	1039307	SUBASSEMBLY, SHIFT FORK	2
75	1007478	SUBASSEMBLY, RH COVER	1
76	1039317	COVER-BEARING,CNTR DR.	1
77	1039459	BRACKET, WIRE HARNESS	2
78	1039467	BRACKET, REAR MOUNT	1
79	1007447	CHAIN, SILENT, TYPE 101, .25P X .40W X 58L	1
80	1028617	SENSOR, SPEED	1
81	1039315	SWITCH, ROTARY, 2 PIN RESISTIVE	1
82	1034629	PLUG, M18 X 1.5	1
83	1007459	SEAL, TRIPLE LIP, VITON HELIX 30 X 47	1
84	1007462	SEAL, TRIPLE LIP, VITON 25 X 80 X 10	1
85	1039436	O-RING	1
86	1039316	O-RING, -12 VITON	1
87	1039425	O-RING, -14 VITON	1
88	1007453	SEAL, TRIPLE LIP, VITON, 40 X 70 X 7	2

DRIVE TRAIN, MAIN GEARCASE MOUNTING

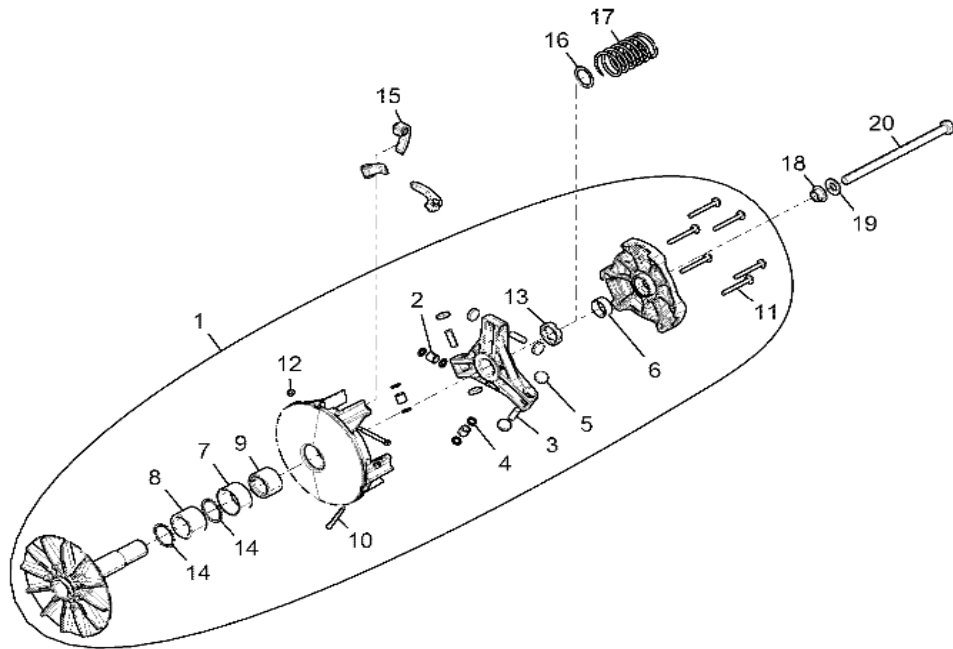
2018 RZR XP 4 1000 MD (R07) - Z18VFE99NK



POS	SAP	Part Name	Qty
1	-----	ASM., GEARCASE, COMPLETE	1
2	1039358	MOUNT, ISOLATOR	1
3	1039630	CLAMP-HOSE, 17/32, GREEN	1
4	1039694	BOLT	1
5	1039723	SCREW	2
6	1039776	NUT	2
7	1014499	NUT- M8X1.25, FLG, NYLOC-OLIVE D	2
8	1014500	NUT	1
9	1039914	FUEL LINE 1/4"SAE #30R7,100CM	AR

DRIVE TRAIN, PRIMARY CLUTCH

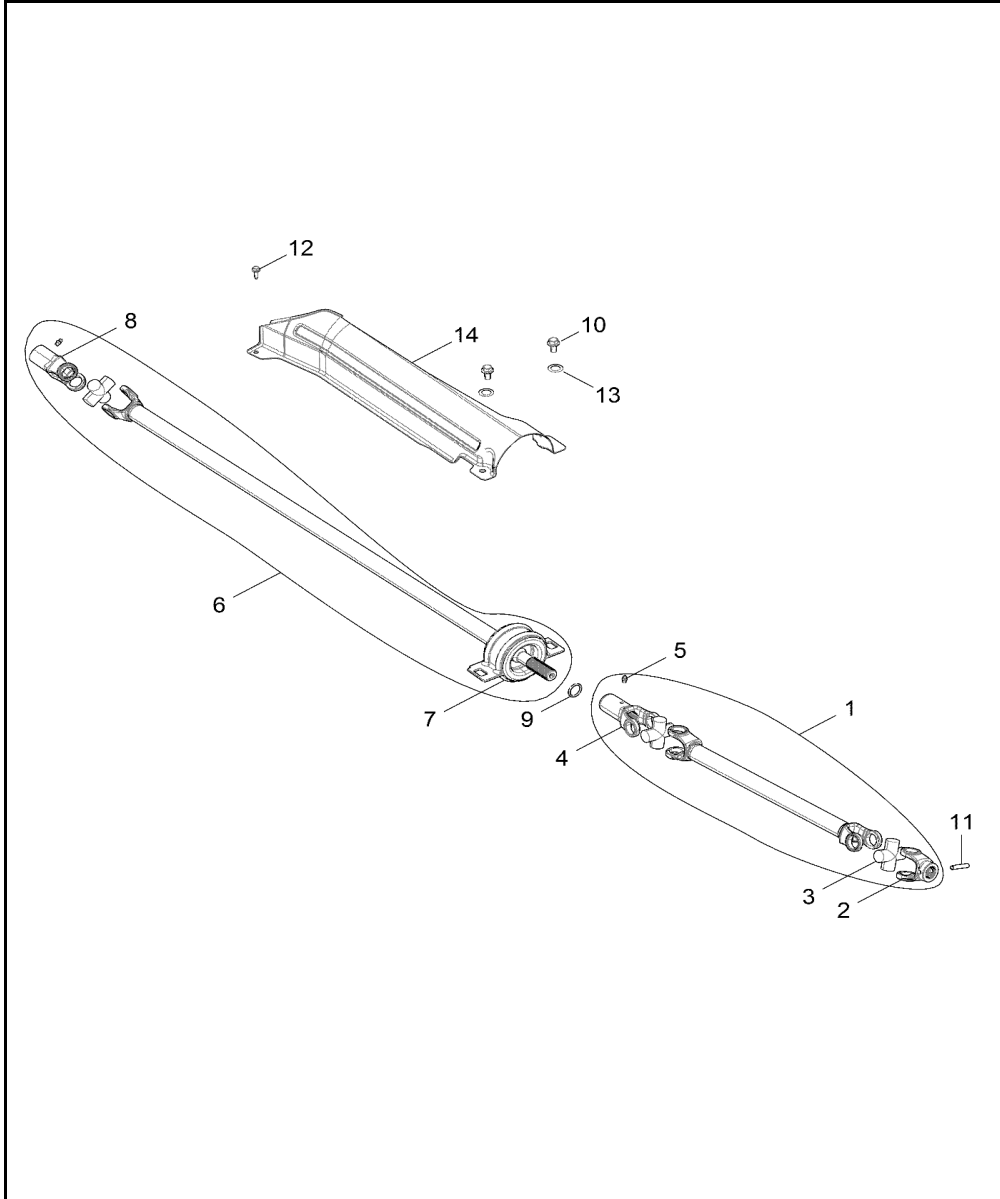
2018 RZR XP 4 1000 MD (R07) - Z18VFE99NK



POS	SAP	Part Name	Qty
1	1002824	ASM., DRIVE CLUTCH, BASIC, 31MM [INCL. 2-14]	1
2	-----	ASM., ROLLER AND BUSHING	3
3	-----	PIN, ROLLER	3
4	-----	WASHER, CLUTCH, SPIDER ROLLER	6
5	-----	BUTTON, CLUTCH	6
6	1008784	COVER, BEARING	1
7	1008438	BEARING	1
8	1008439	BEARING, NEEDLE	1
9	1012197	SPACER, CLUTCH, TALL, PM	1
10	1014426	BOLT, SHOULDER	3
11	1014432	SCREW	6
12	1014495	NUT, FLEX LOC	3
13	1014506	NUT, JAM	1
14	1014526	WASHER, CLUTCH	2
15	1012204	WEIGHT-SHIFT,29-75,PM	3
16	1011851	SPACER, CLUTCH, LIMITER	1
17	1014015	SPRING-CLUTCH,58-120	1
18	1011183	WASHER, CLUTCH	1
19	1014518	WASHER	1
20	1014434	SCREW	1

DRIVE TRAIN, PROP SHAFT

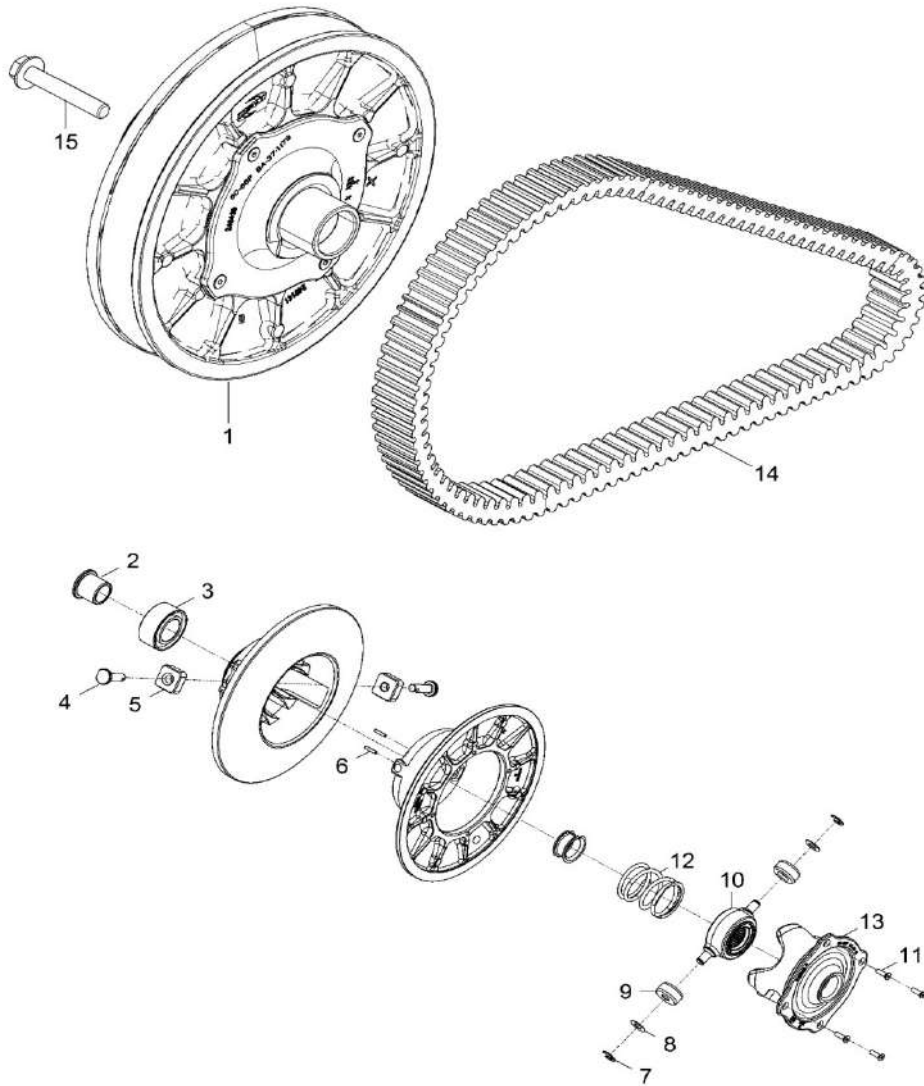
2018 RZR XP 4 1000 MD (R07) - Z18VFE99NK



POS	SAP	Part Name	Qty
1	1039357	ASM., PROPSHAFT, FRONT [INCL. 2-5]	1
2	1040297	YOKE-PIN	1
3	1007461	U-JOINT-1000 SERIES	3
4	1040298	YOKE-SLIP,INDEXED	1
5	1039615	FITTING-LUBRICATION 1/4-28	1
6	1002887	ASM., PROPSHAFT, REAR [INCL. 7, 1 QTY OF 3, 1 QTY OF 5,8]	1
7	1039485	ASM., BEARING FLEX	1
8	1040301	YOKE, SLIP	1
9	1039533	O-RING	1
10	1039672	SCR-HXFL-M10X1.5X20 8.8 Z NYL	2
11	1039810	PIN-SPRING,5/16 X 1 5/8-Y	1
12	1039683	SCR-M6X1.0X20,HXHD,FLG,TDFM,BL	1
13	1014516	WASHER, FLAT	2
14	1039894	BRKT-TANK SUPPORT,INNER,BLK	1

DRIVE TRAIN, SECONDARY CLUTCH

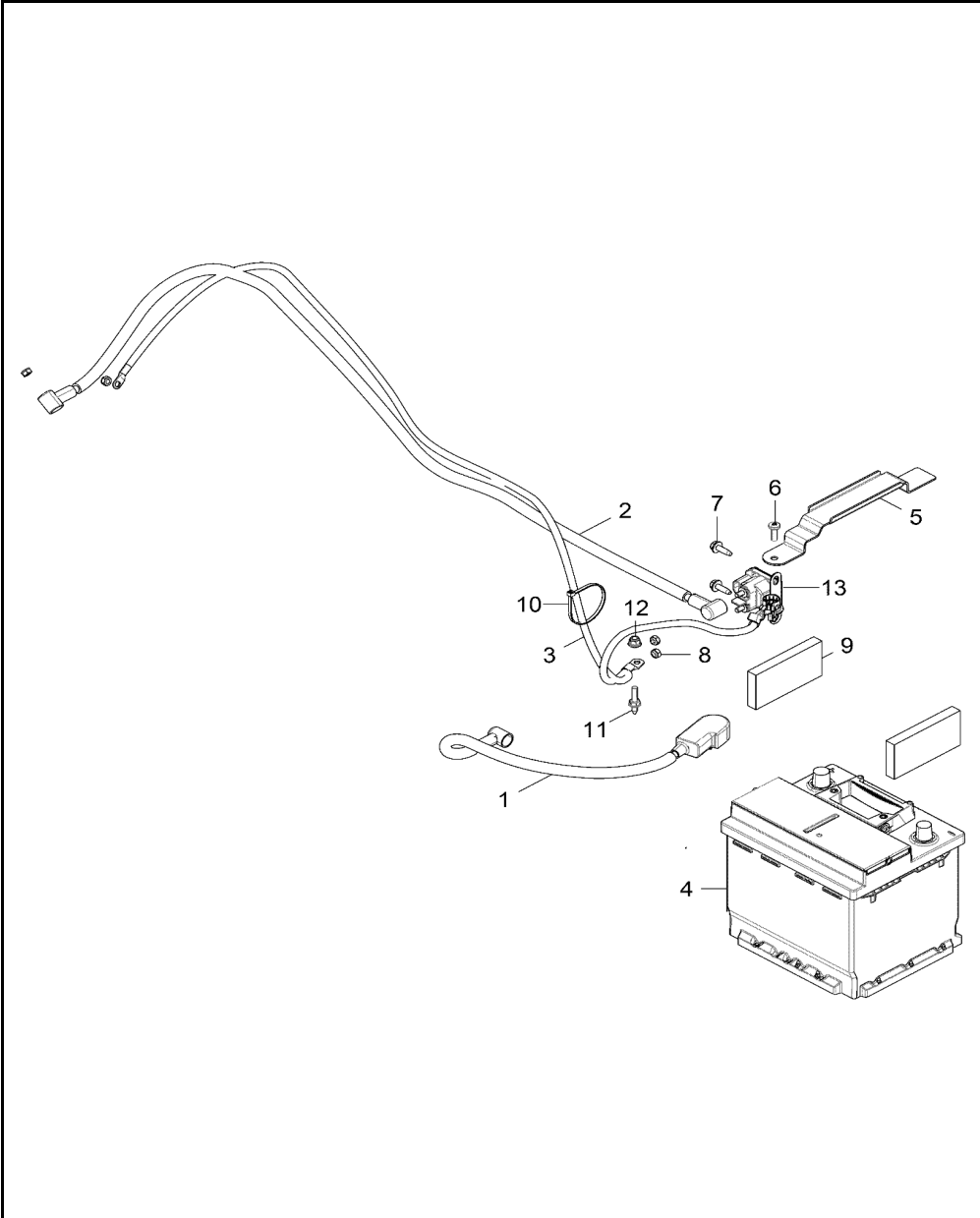
2018 RZR XP 4 1000 MD (R07) - Z18VFE99NK



POS	SAP	Part Name	Qty
1	1002830	ASM-DRIVEN 30MM,BTD,BASIC [INCL. 2-11]	1
2	1007479	BUSHING, TOP HAT	1
3	1008452	BEARING, BALL OIL FILLED	1
4	1007439	PIN, ROLLER	2
5	1008453	PUCK, SQUARE TIED	2
6	1007440	PIN, SPRING SLOTTED	2
7	1014622	RING, RETAINING E-RING EXTERNAL	2
8	1014522	WASHER, THRUST	2
9	1008454	ROLLER, CLUTCH	2
10	1011252	SPIDER	1
11	1007448	SCREW	4
12	1014019	SPRING, COMPRESSION	1
13	1007480	ASM., CAM	1
14	1007365	BELT, DRIVE	1
15	1014454	SCREW	1

ELECTRICAL, BATTERY

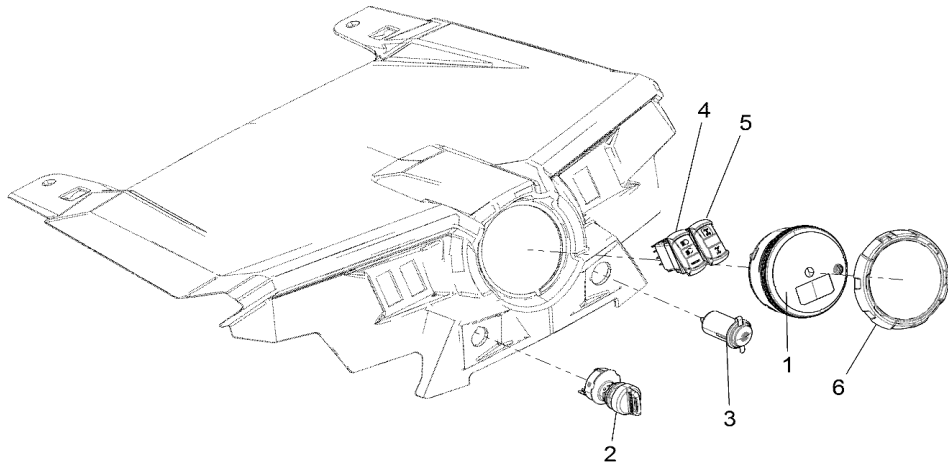
2018 RZR XP 4 1000 MD (R07) - Z18VFE99NK



POS	SAP	Part Name	Qty
1	1039494	CABLE-BATT TO SOLENOID	1
2	1039493	CABLE, START TO SOLENOID	1
3	1039495	CABLE-GROUND,ENG,BAT,CHAS	1
4	1030660	BATTERY-530 CCA,FLOODED,EUROPE	1
5	1039893	STRAP,BATTERY,VARTA,BLACK	1
6	1039758	SCREW	1
7	1039683	SCREW	2
8	1039773	NUT-6MM X 1 NYLOK-Z	4
9	1039598	PAD, BATTERY, FOAM	2
10	1039612	PANDUIT STRAP	1
11	1039752	STUD	1
12	1039782	NUT, FLANGE, NYLOK	1
13	1009588	SOLENOID-STARTER,SEALED	1

ELECTRICAL, DASH INSTRUMENTS AND CONTROLS

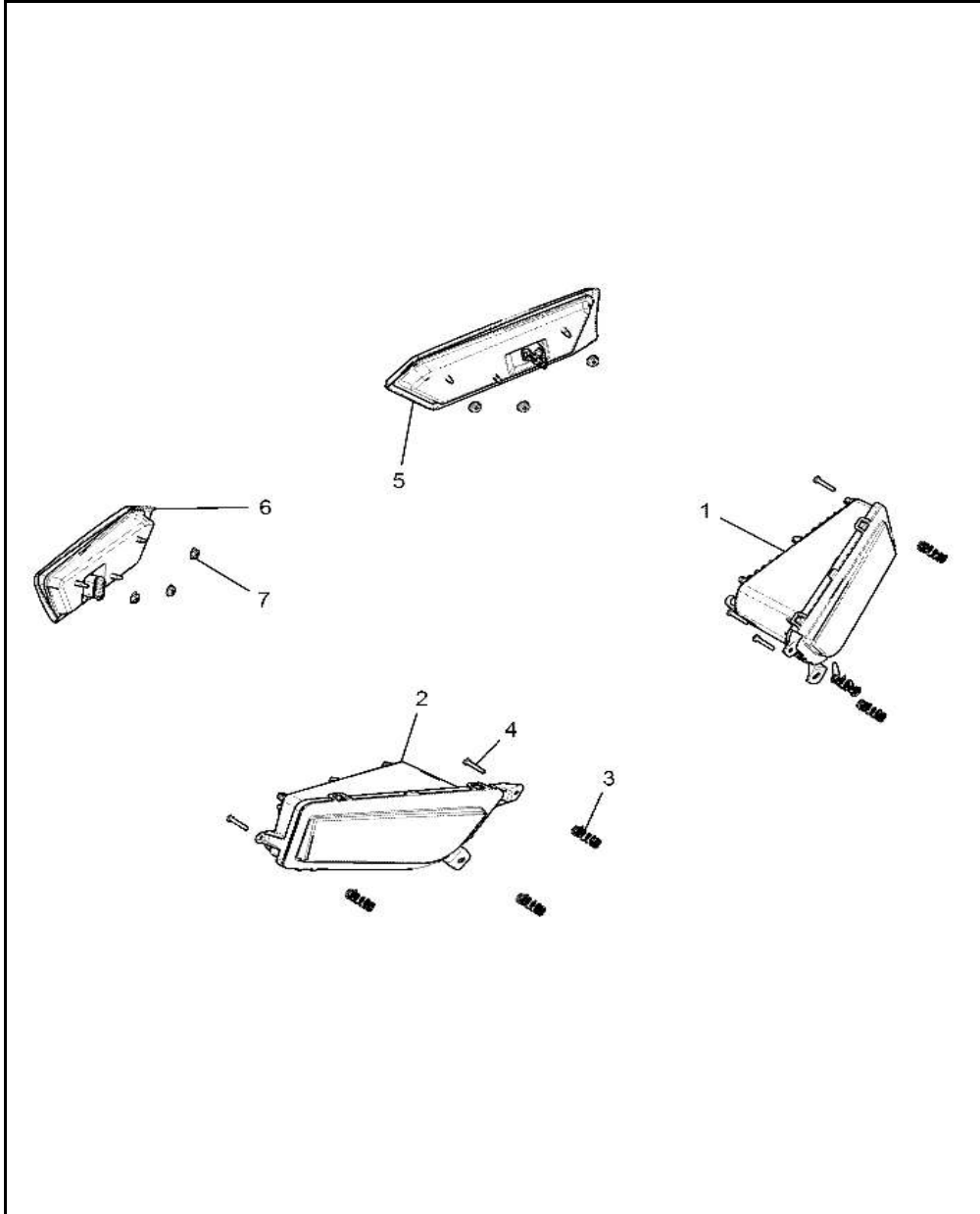
2018 RZR XP 4 1000 MD (R07) - Z18VFE99NK



POS	SAP	Part Name	Qty
1	1039536	MOUNT, RUBBER, INSTRUMENT CLUSTER	1
1	1007503	ASM-CLUSTER,CPIA3,SXS,BLU,CHL6 [INCL. RUBBER MOUNT]	1
2	1009595	SWITCH-KEY,4 POSITION,MT SLV	1
3	1009573	RECEPTACLE-POD MNT,12 VOLT	2
4	1009580	SWITCH, HEADLIGHT	1
5	1039492	SWITCH, AWD	1
6	1011847	BEZEL, INSTRUMENT CLUSTER, INDY RED	1

ELECTRICAL, HEADLIGHTS AND TAILLIGHTS

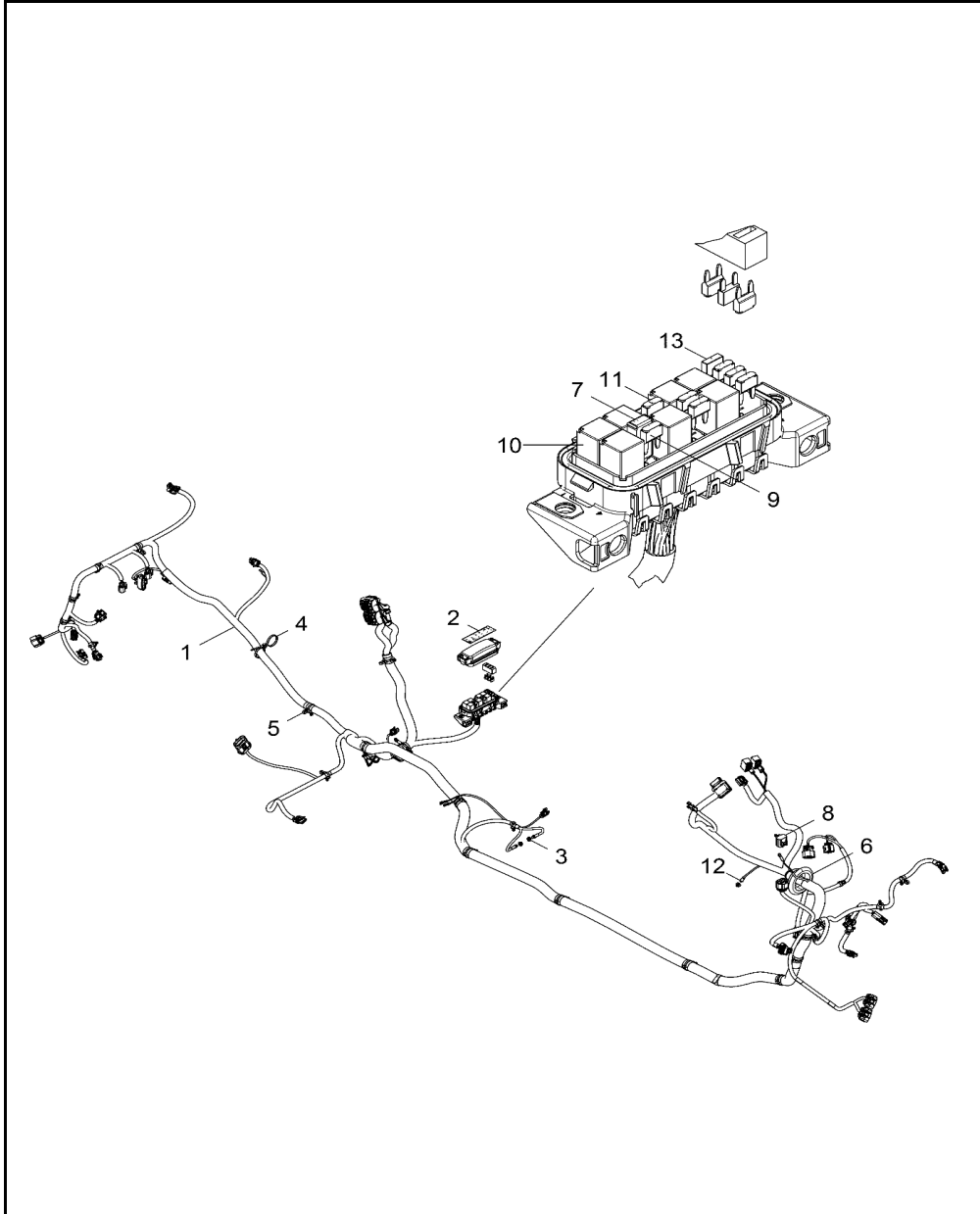
2018 RZR XP 4 1000 MD (R07) - Z18VFE99NK



POS	SAP	Part Name	Qty
1	1005851	ASM-HEADLIGHT,BUMPER,LED,LH	1
2	1005852	ASM-HEADLIGHT,BUMPER,LED,RH	1
3	1013999	SPRING, HEADLIGHT	6
4	1014424	SCREW	6
5	1005836	ASM., TAILLIGHT, LH	1
6	1005837	ASM., TAILLIGHT, RH	1
7	1039814	SPEED NUT-WASHER, HEAD-1/4	6

ELECTRICAL, WIRE HARNESS

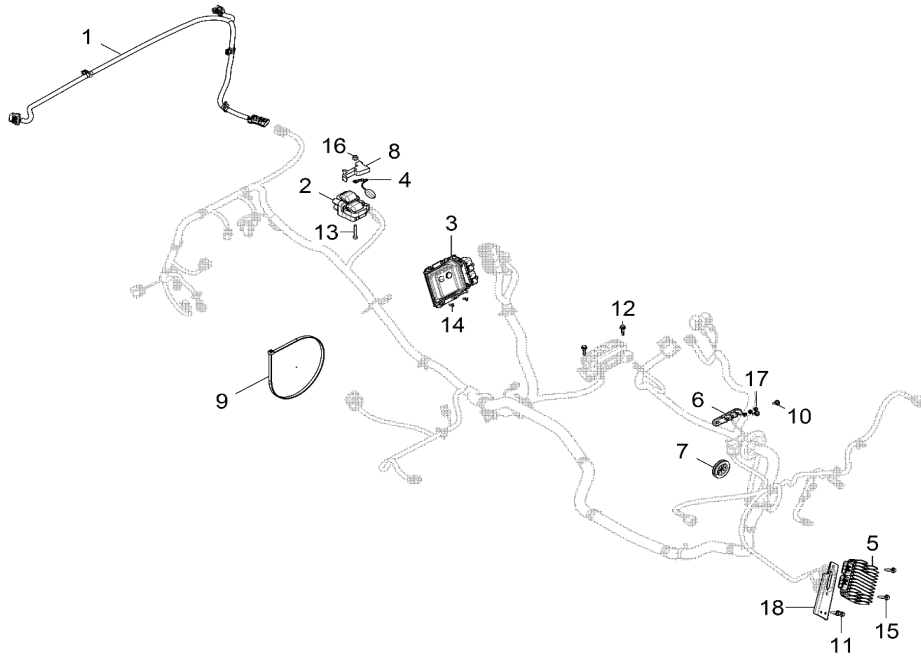
2018 RZR XP 4 1000 MD (R07) - Z18VFE99NK



POS	SAP	Part Name	Qty
1	1039382	HARNESS-CHASSIS, EPS, RZN 64, MP [INCL. ALL]	1
2	1039650	LABEL-FUSE BOX, RZN	1
3	1039638	CLIP-ROUTING, DIN BOX	3
4	1039636	STRAP-PANDUIT, DBL LOOP, 260MM	7
5	1014065	CLIP-ROUTING	20
6	1039597	GROMMET-65MM, BLK	1
7	1009593	BREAKER-CIRCUIT, 25 AMP	1
8	1039488	COVER-DIAGNOSTIC, W/CLIP	1
9	1009568	FUSE-25A, MINI BLADE	2
10	1039487	RELAY-SPST, SERIES 303, SEALED	7
11	1005911	FUSE, IGNITION, 10 AMP	8
12	1039381	LED-PANEL MNT, 12V, BLUE	3
13	1039379	FUSE-MINI BLADE, 15 AMP	2

ELECTRICAL, WIRE HARNESS COMPONENTS

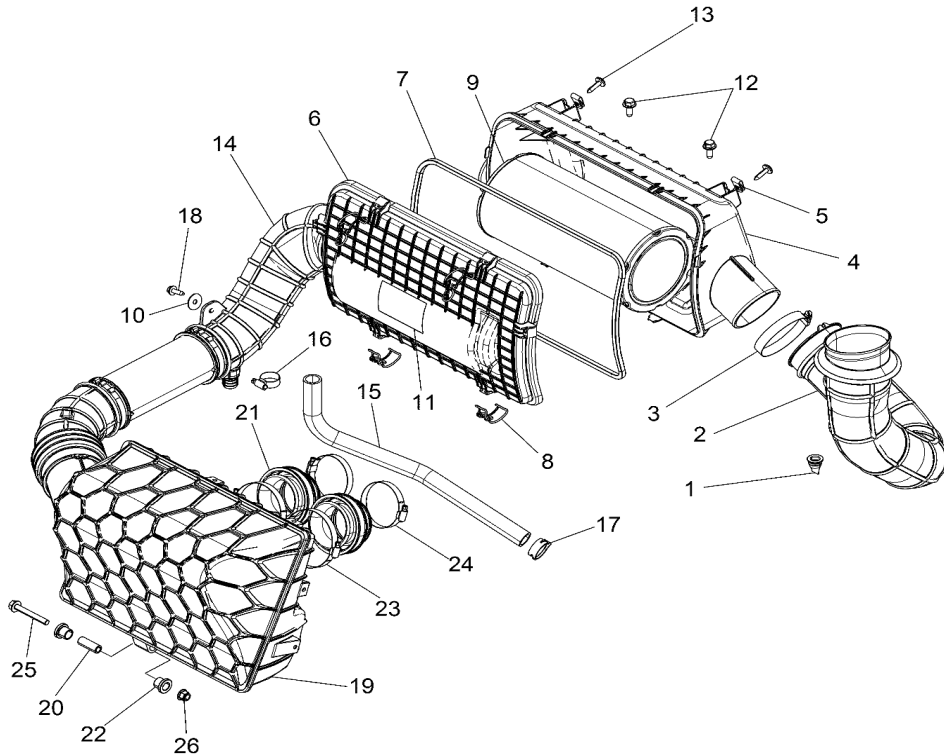
2018 RZR XP 4 1000 MD (R07) - Z18VFE99NK



POS	SAP	Part Name	Qty
1	1039380	HARNESS-BOX,RZN 64	1
2	1039486	COIL-EFI	1
3	1009581	ECM-NO START,ME17	1
4	1039491	JUMPER,COIL GROUND	1
5	1009597	REGULATOR-3PH,50A,SERIES,HISPD	1
6	1039496	BLOCK-TERMINAL,3 POST,TALL	1
7	1039543	GROMMET-ELECTRICAL,CAB	1
8	1011828	SPACER-COIL MOUNT	1
9	1014060	CABLE-TIE,10-102MM,WEATH.-RES.	2
10	1039669	SCR-10-24X3/4 PH/TX/TRI-SEMS Y	2
11	1039683	SCR-M6X1.0X20,HXHD,FLG,TDFM,BL	2
12	1039698	SCR-HXFL-M6X1.0X25 8.8 RIE	2
13	1039705	SCR-M6X1.0X40,HX/SOC/CP-B	1
14	1039719	SCR-#10X1/2-HI/LO-PN-T25,TRX-M	4
15	1044268	SCR-TFHFL-M6X1.0X25,ZOD	2
16	1039782	NUT-M6 FLANGE,NYLOC	1
17	1039785	NUTS-KEPS,10-32	3
18	1039896	BRKT-MOUNT,REGULATOR,ECOAT	1

ENGINE, AIR INTAKE SYSTEM

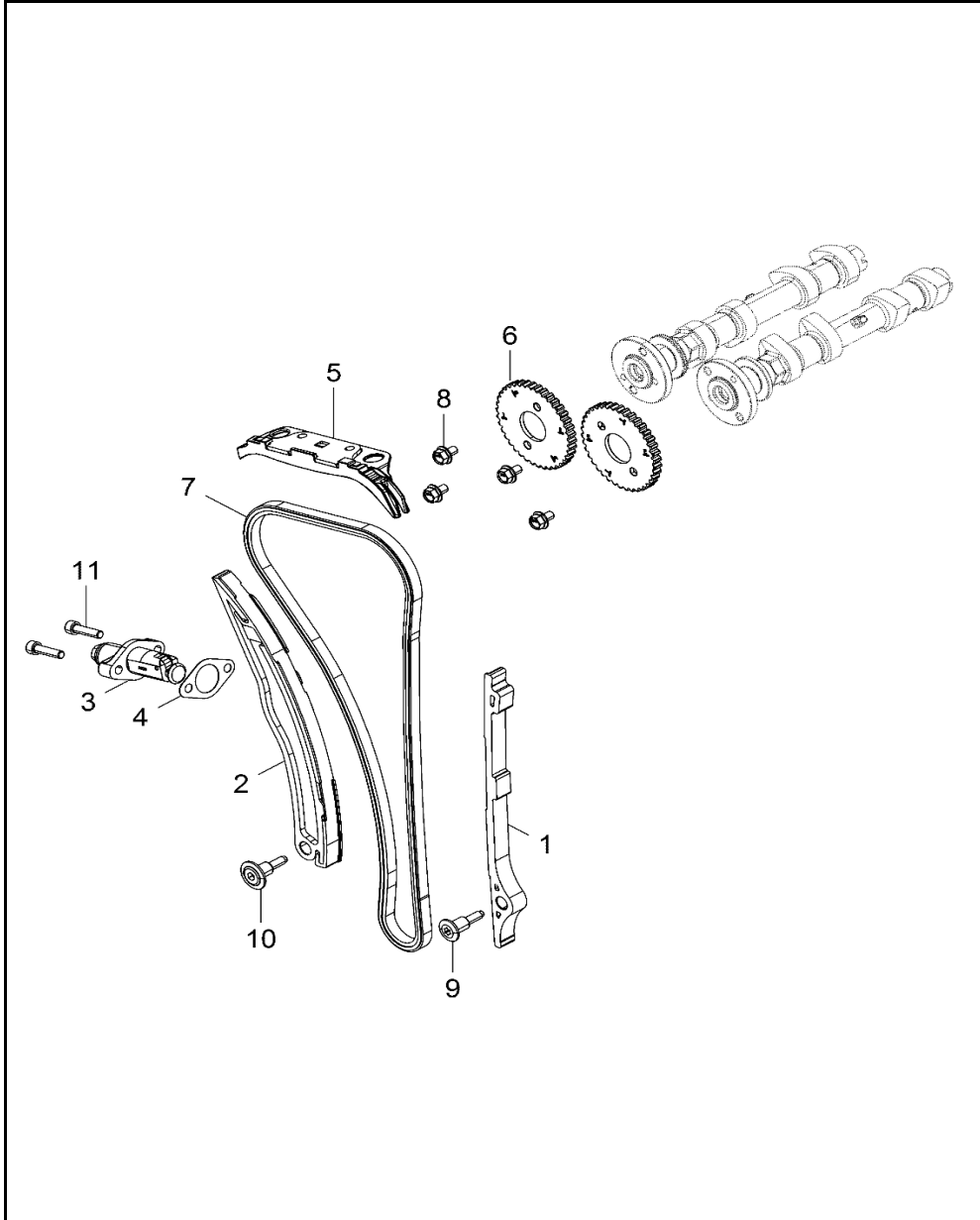
2018 RZR XP 4 1000 MD (R07) - Z18VFE99NK



POS	SAP	Part Name	Qty
1	1039544	PLUG, DRAIN	1
2	1039551	HOSE, AIRBOX, IN	1
3	1039623	CLAMP, HOSE	3
4	1030512	ASM., AIRBOX HOUSING [INCL. 5]	1
5	1014509	NUT, U-TYPE	2
6	1030513	ASM., AIRBOX COVER [INCL. 7,8]	1
7	1030511	SEAL, AIRBOX	1
8	1014072	CLIP, AIRBOX	4
9	1002475	ASM-FILTER	1
10	1039803	WASHER	1
11	1039646	DECAL, CAUTION, AIR BOX	1
12	1039688	BOLT	2
13	1014459	SCR-TXTH-M6X1.0X25 ZFB	2
14	1002471	ASM., INTAKE DUCT	1
15	1039550	HOSE, VENT	1
16	1039617	CLAMP, HOSE, WORM GEAR	1
17	1039620	CLAMP, SPRINGBAND	1
18	1039683	SCREW	1
19	1002470	INTAKE, ENGINE HOUSING	1
20	1039505	SHAFT, COMPRESSION LIMITER	1
21	1039549	BOOT, THROTTLE BODY	2
22	1039552	BUSHING, MOUNT	2
23	1039619	CLAMP, WORM DRIVE	2
24	1039633	CLAMP, HOSE	2
25	1039746	SCREW	1
26	1014499	NUT- M8X1.25, FLG, NYLOC-OLIVE D	1

ENGINE, CAM CHAIN AND TENSIONER

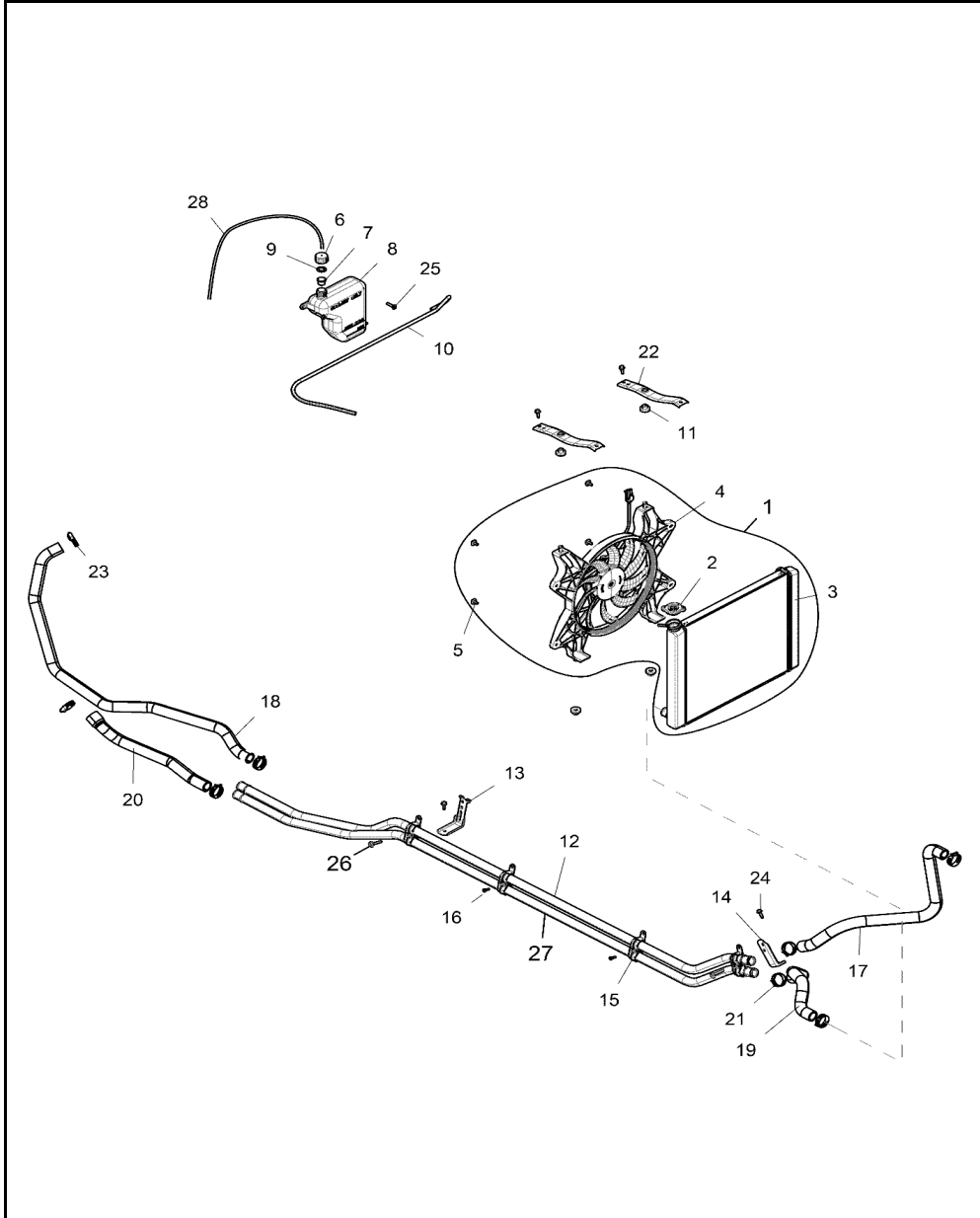
2018 RZR XP 4 1000 MD (R07) - Z18VFE99NK



POS	SAP	Part Name	Qty
1	1007004	GUIDE, CAMCHAIN, FIXED	1
2	1007005	GUIDE, CAMCHAIN, TENSIONER	1
3	1028597	TENSIONER-RATCHETING,MECH	1
4	1039603	GASKET-TENSIONER	1
5	1039411	GUIDE-CAMCHAIN, TOP, ARC	1
6	1039417	SPROCKET, CAM, DRIVEN, DOHC	2
7	1007398	CHAIN, CAMSHAFT	1
8	1039728	SCREW	4
9	1039730	BOLT-SHOULDER	1
10	1039765	BOLT-SHLDR, M6X14X40	1
11	1039713	SCR-SH-M6X1.0X25 10.9 ZPC D204	2

ENGINE, COOLING SYSTEM

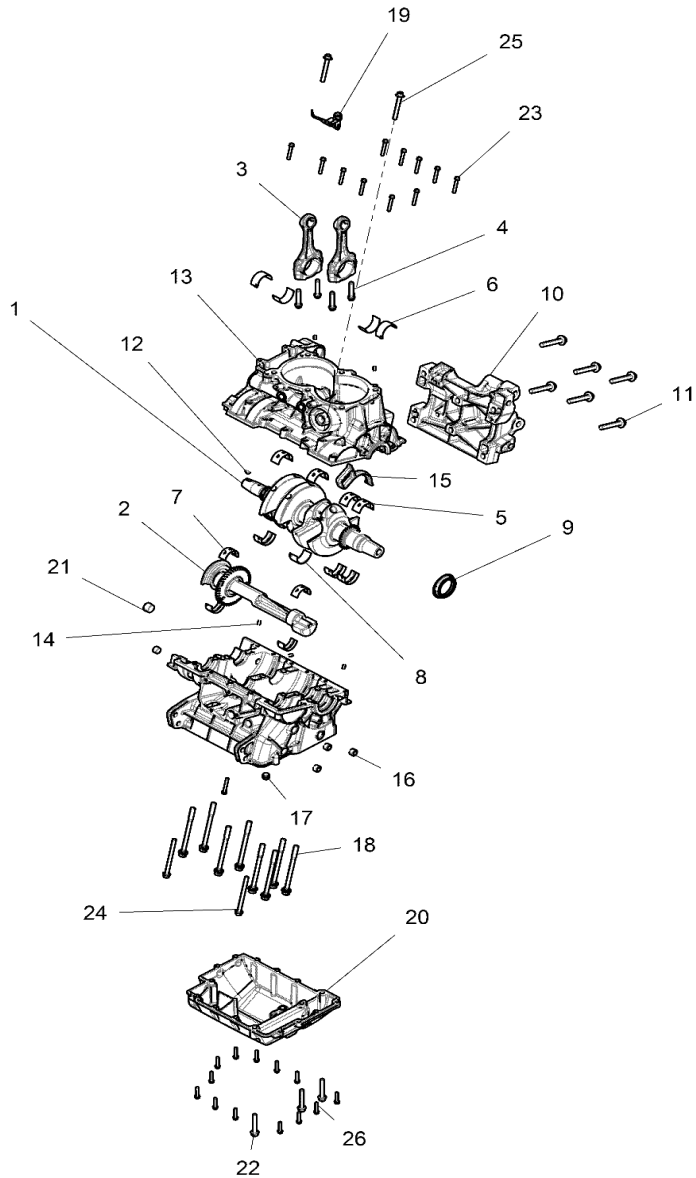
2018 RZR XP 4 1000 MD (R07) - Z18VFE99NK



POS	SAP	Part Name	Qty
1	1039350	ASM., RADIATOR [INCL. 2-5]	1
2	1002468	CAP	1
3	1002469	ASM., RADIATOR, CORE	1
4	1005838	FAN, ASM.	1
5	1039757	BOLT	4
6	1011820	CAP, OVER FLOW BOTTLE, DRILLED	1
7	1011824	PLUG, CAP	1
8	1039565	TANK, SURGE	1
9	1012347	GASKET, OVER FLOW CAP	1
10	1039913	LINE, FUEL	AR
11	1039287	GROMMET, FLANGED	4
12	1039509	TUBE-COOLANT,1",MP	1
13	1039886	BRACKET, COOLANT TUBE, BLACK	1
14	1039890	BRACKET, COOLANT TUBE, BLACK	1
15	1039574	BRACKET, COOLANT TUBE	4
16	1014423	SCREW	2
17	1039546	HOSE, UPPER, RADIATOR	1
18	1039547	HOSE, ENGINE OUTLET, REAR	1
19	1011804	HOSE, LOWER, RADIATOR, LONG	1
20	1039554	HOSE, ENGINE INLET, REAR	1
21	1039621	CLAMP, SPRINGBAND	6
22	1039039	BRACKET, UPPER RADIATOR MOUNT, BLACK	2
23	1039628	CLAMP, HOSE	2
24	1039683	SCREW	4
25	1039666	SCREW	2
26	1039714	SCR-M6X1X40,TR/TX-BLK	2
27	1039510	TUBE-COOLANT,1",MP	1
28	1039912	FUEL LINE-100 CENTIMETERS	1

ENGINE, CRANKCASE AND CRANKSHAFT

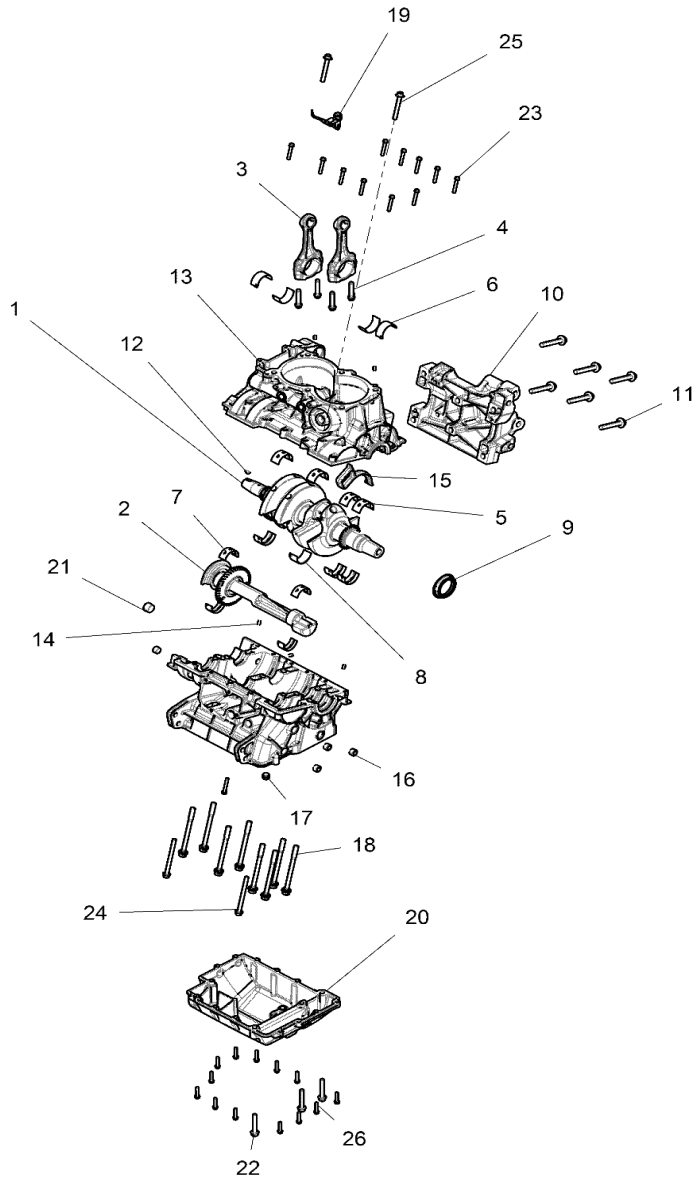
2018 RZR XP 4 1000 MD (R07) - Z18VFE99NK



POS	SAP	Part Name	Qty
1	1028600	ASM., CRANKSHAFT	1
2	1039348	ASM., BALANCE SHAFT	1
3	1028601	ASM-CONNECTING ROD [INCL. 4]	2
4	1039762	SCR-ROD,MJ9X1X40-4H6H,12.9	4
5	1028584	BEARING, MAIN, WHITE	7
5	1028585	BEARING, MAIN, BLUE	7
5	1028586	BEARING, MAIN, GREEN	7
5	1028587	BEARING, MAIN, YELLOW	7
5	1028588	BEARING, MAIN, RED	7
6	1028589	BEARING, CONNECTING ROD, WHITE	4
6	1028590	BEARING, CONNECTING ROD, BLUE	4
6	1028591	BEARING, CONNECTING ROD, GREEN	4
6	1028592	BEARING, CONNECTING ROD, YELLOW	4
7	1028596	BEARING, BALANCE SHAFT	4
8	1028593	BEARING, MAIN, BLUE	1
8	1028594	BEARING, MAIN, GREEN	1
8	1028595	BEARING, MAIN, YELLOW	1
9	1028602	SEAL-CRANKSHAFT	1
10	1039500	BRKT-TRANSJOINT,MACH	1
11	1039763	BOLT	6
12	1014636	KEY, WOODRUFF	1
13	1039378	KIT, CRANKCASE [INCL. 14-19]	1
14	1039499	PIN, DOWEL	8
15	1039579	DIVERTER, OIL DRAIN	1
16	1039610	PLUG	5
17	1039708	PLUG	2
18	1039726	SCREW	8
19	1039412	JET, PISTON	1
20	1039501	COVER, SUMP	1
21	1039611	PLUG-HEX SCKT,W/O-RING,M20X1.5	1

ENGINE, CRANKCASE AND CRANKSHAFT

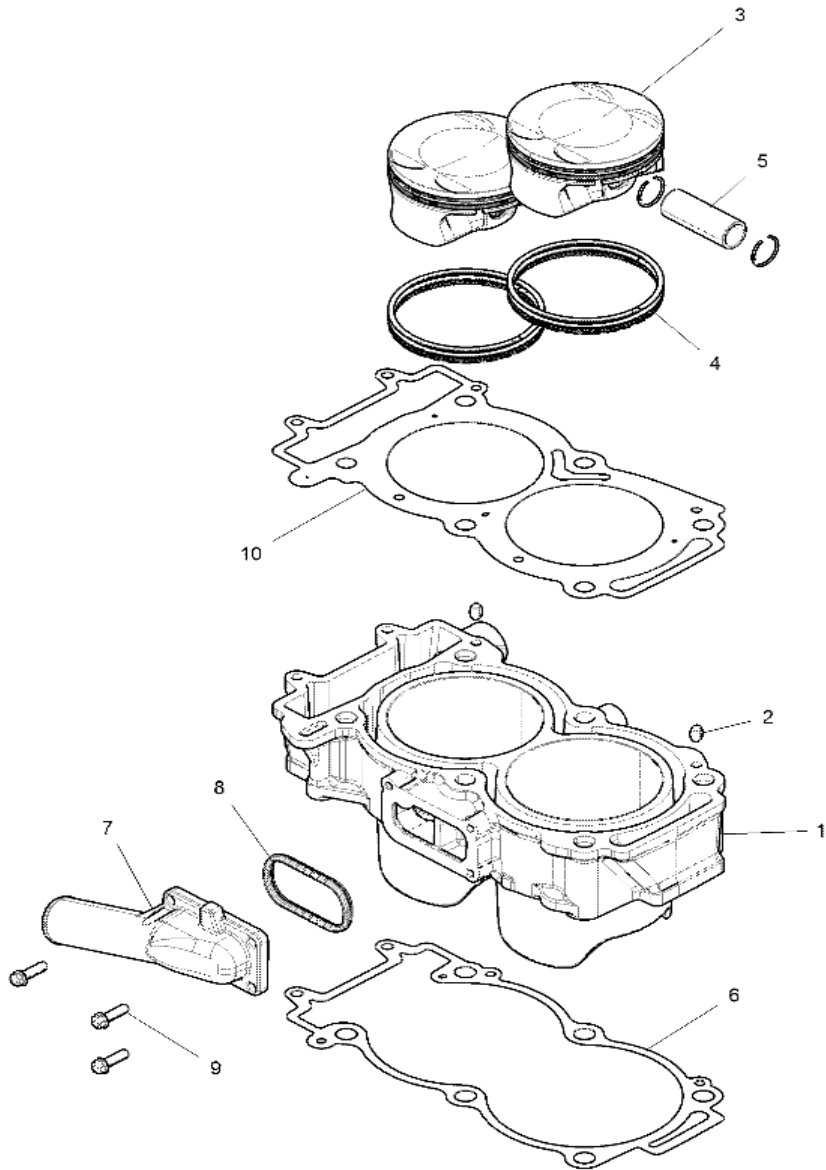
2018 RZR XP 4 1000 MD (R07) - Z18VFE99NK



POS	SAP	Part Name	Qty
22	1039664	SCREW	3
23	1039699	SCREW	12
24	1039727	SCREW	2
25	1039731	SCREW	2
26	1039744	SCREW	13

ENGINE, CYLINDER AND PISTON

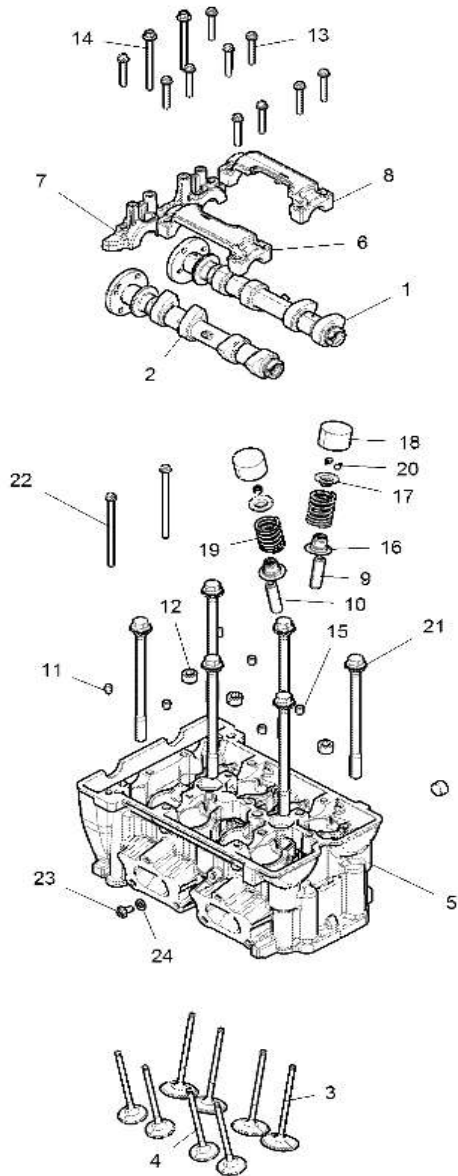
2018 RZR XP 4 1000 MD (R07) - Z18VFE99NK



POS	SAP	Part Name	Qty
1	1039415	ASM., CYLINDER [INCL. 2]	1
2	1039498	PIN, DOWEL	2
3	1039376	ASM., PISTON 3022567 [INCL. 4,5]	2
4	1039377	KIT, PISTON RINGS	2
5	1039406	PIN, PISTON	2
6	1028599	GASKET, BASE, 2 CYL	1
7	1039588	COVER, WATER INLET, CAST	1
8	1039596	GASKET, WATER, INLET	1
9	1039698	SCREW	3
10	1028598	GASKET, CYLINDER, HEAD	1

ENGINE, CYLINDER HEAD AND VALVES

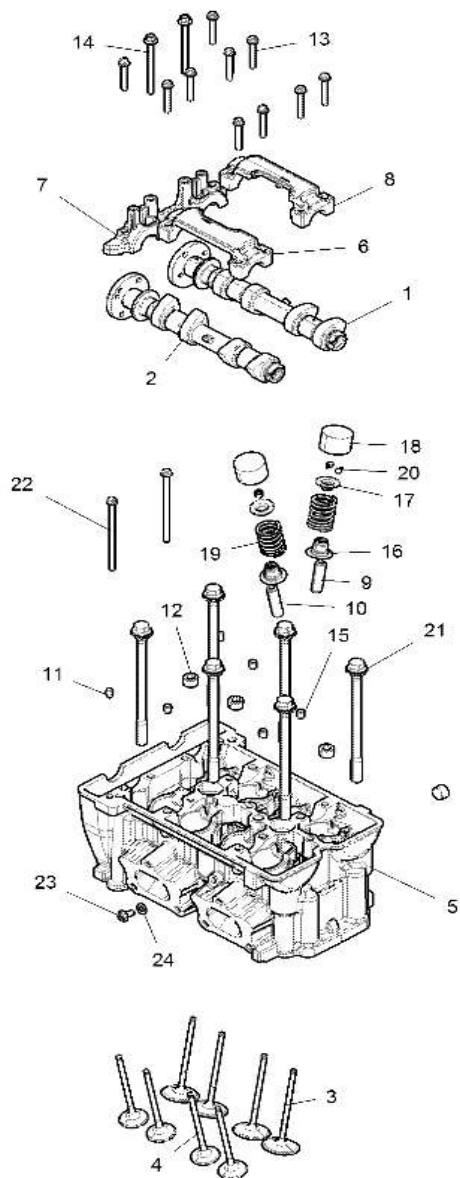
2018 RZR XP 4 1000 MD (R07) - Z18VFE99NK



POS	SAP	Part Name	Qty
1	1039408	CAMSHAFT, INTAKE, 1040-234	1
2	1039409	CAMSHAFT, EXHAUST, 1010-230	1
3	1039405	VALVE, INTAKE, STEEL	4
4	1039407	VALVE, EXHAUST	4
5	1039410	ASM., CYLINDER HEAD [INCL. 6-15]	1
6	-----	CARRIER, CAMSHAFT, DOHC, EXHAUST [INCL. IN CYLINDER HEAD ASM.]	1
7	-----	CARRIER, CAMSHAFT, DOHC, TRANS [INCL. IN CYLINDER HEAD ASM.]	1
8	-----	CARRIER, CAMSHAFT, DOHC, INTAKE [INCL. IN CYLINDER HEAD ASM.]	1
9	-----	GUIDE, VALVE, INTAKE [INCL. IN CYLINDER HEAD ASM.]	4
10	-----	GUIDE, VALVE, EXHAUST [INCL. IN CYLINDER HEAD ASM.]	4
11	1039498	PIN, DOWEL	2
12	1039610	PLUG	4
13	1039760	SCR-HXFL-M6X1.0X35 10.9 ZY3	10
14	1039732	SCREW	2
15	1039812	DOWEL	4
16	1008817	SEAT, W/SEAL, VALVE SPRING	8
17	1039504	RETAINER, VALVE	8
18	1039838	TAPPET, VALVE, GRADED, 4.400	AR
18	1039839	TAPPET, VALVE, GRADED, 4.425	AR
18	1039840	TAPPET, VALVE, GRADED, 4.450	AR
18	1039841	TAPPET, VALVE, GRADED, 4.475	AR
18	1039842	TAPPET, VALVE, GRADED, 4.500	AR
18	1039843	TAPPET, VALVE, GRADED, 4.525	AR
18	1039844	TAPPET, VALVE, GRADED, 4.550	AR
18	1039845	TAPPET, VALVE, GRADED, 4.575	AR
18	1039846	TAPPET, VALVE, GRADED, 4.600	AR
18	1039847	TAPPET, VALVE, GRADED, 4.625	AR

ENGINE, CYLINDER HEAD AND VALVES

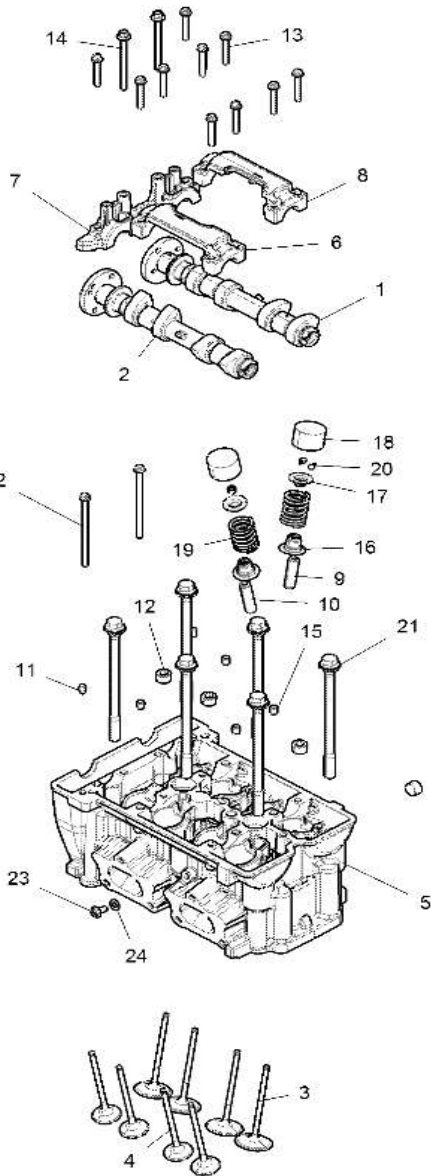
2018 RZR XP 4 1000 MD (R07) - Z18VFE99NK



POS	SAP	Part Name	Qty
18	1039848	TAPPET, VALVE, GRADED, 4.650	AR
18	1039849	TAPPET, VALVE, GRADED, 4.675	AR
18	1041355	TAPPET, VALVE, GRADED, 4.700	AR
18	1039851	TAPPET, VALVE, GRADED, 4.725	AR
18	1039852	TAPPET, VALVE, GRADED, 4.750	AR
18	1039853	TAPPET, VALVE, GRADED, 4.775	AR
18	1039854	TAPPET, VALVE, GRADED, 4.800	AR
18	1039855	TAPPET, VALVE, GRADED, 4.825	AR
18	1039856	TAPPET, VALVE, GRADED, 4.850	AR
18	1039857	TAPPET, VALVE, GRADED, 4.875	AR
18	1039858	TAPPET, VALVE, GRADED, 4.900	AR
18	1039859	TAPPET, VALVE, GRADED, 4.925	AR
18	1039860	TAPPET, VALVE, GRADED, 4.950	AR
18	1039861	TAPPET, VALVE, GRADED, 4.975	AR
18	1039862	TAPPET, VALVE, GRADED, 5.000	AR
18	1039863	TAPPET, VALVE, GRADED, 5.025	AR
18	1039864	TAPPET, VALVE, GRADED, 5.050	AR
18	1039865	TAPPET, VALVE, GRADED, 5.075	AR
18	1039866	TAPPET, VALVE, GRADED, 5.100	AR
18	1039867	TAPPET, VALVE, GRADED, 5.125	AR
18	1039868	TAPPET, VALVE, GRADED, 5.150	AR
18	1039869	TAPPET, VALVE, GRADED, 5.175	AR
18	1039870	TAPPET, VALVE, GRADED, 5.200	AR
18	1039871	TAPPET, VALVE, GRADED, 5.225	AR
18	1039872	TAPPET, VALVE, GRADED, 5.250	AR
18	1039873	TAPPET, VALVE, GRADED, 5.275	AR
18	1039874	TAPPET, VALVE, GRADED, 5.300	AR
18	1039875	TAPPET, VALVE, GRADED, 5.325	AR
18	1039876	TAPPET, VALVE, GRADED, 5.350	AR
18	1039877	TAPPET, VALVE, GRADED, 5.375	AR

ENGINE, CYLINDER HEAD AND VALVES

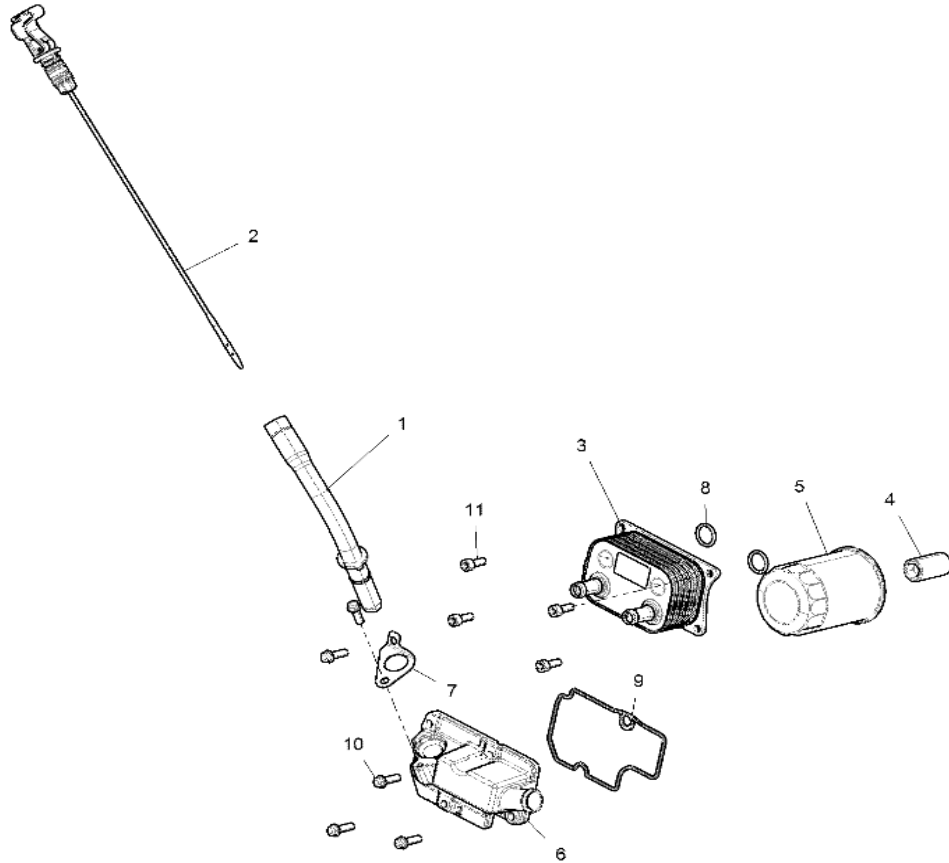
2018 RZR XP 4 1000 MD (R07) - Z18VFE99NK



POS	SAP	Part Name	Qty
18	1039878	TAPPET, VALVE, GRADED, 5.400	AR
18	1039879	TAPPET, VALVE, GRADED, 5.425	AR
18	1039880	TAPPET, VALVE, GRADED, 5.450	AR
19	1039606	SPRING, VALVE	8
20	1039631	KEEPER, VALVE	16
21	1039725	BOLT, HEAD	6
22	1014449	SCREW	2
23	1039764	SCREW	1
24	1039801	WASHER, FLAT	1

ENGINE, DIPSTICK AND OIL FILTER

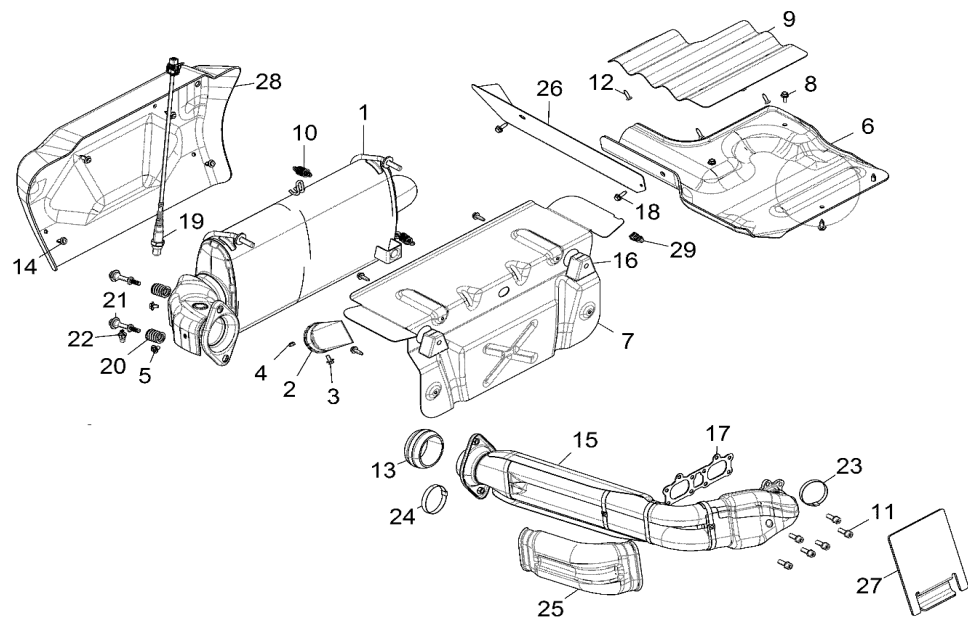
2018 RZR XP 4 1000 MD (R07) - Z18VFE99NK



POS	SAP	Part Name	Qty
1	1039347	ASM., OIL FILL TUBE [INCL. O-RING]	1
1	1039541	O-RING	1
2	1039413	ASM., DIPSTICK	1
3	1039352	COOLER, OIL TO WATER	1
4	1039385	ADAPTER, FILTER, STRAIGHT	1
5	1006092	FILTER, OIL	1
5	1040452	FILTER-HD,OIL [HD OPTION]	1
6	1039502	COVER, BREATHER	1
7	1039511	BRACKET, TUBE, OIL FILL, LOWER	1
8	1039540	O-RING	2
9	1012352	SEAL, COVER, BREATHER	1
10	1039698	SCREW	5
11	1039747	SCREW	4

ENGINE, EXHAUST SYSTEM

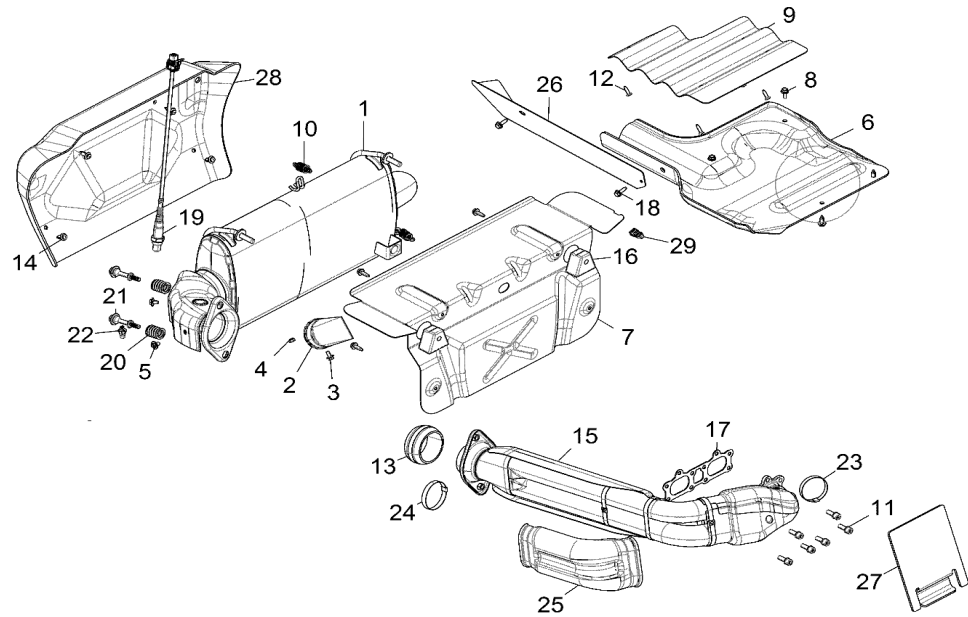
2018 RZR XP 4 1000 MD (R07) - Z18VFE99NK



POS	SAP	Part Name	Qty
1	1039355	ASM-SILENCER [INCL. 2-5]	1
2	1039353	ARRESTOR, SPARK	1
3	1039661	SCREW	1
4	1039777	NUT	3
5	1014484	SCR-HHSEMS-M6X1.0X10 A286,LOCK	3
6	1039602	SHIELD-BOX,FRONT	1
7	1039529	SHIELD-REAR,AL [TO 1/15/2018]	1
7	1047012	SHIELD-REAR,STAINLESS [FROM 1/15/2018]	1
8	1039700	SCR-HXFL-M6X1.0X16 8.8 ZPB	2
9	1039528	SHIELD-ACCESS PANEL	1
10	1013996	SPRING, EXHAUST	2
11	1039711	SCREW	6
12	1014423	SCR-#10X3/4-HI/LO-PN-T25,TRX-M	4
13	1008818	GASKET, DOUBLE, SPHERICAL	1
14	1014589	RIVET	6
15	1039354	ASM., HEADPIPE [INCL. 23-25]	1
16	1039569	MOUNT, ISOLATOR	2
17	1008814	GASKET, EXHAUST SEAL	1
18	1039683	SCREW	6
19	1009569	SENSOR-LAMBDA,LSF 4.2	1
20	1014011	SPRING, SPHERICAL, EXHAUST	2
21	1014477	STUD, SPHERICAL, EXHAUST	2
22	1014065	CLIP-ROUTING	1
23	1039626	CLAMP-HEAT SHIELD,EXHAUST	1
24	1039632	CLAMP-HEAT SHIELD,EXHAUST	2
25	1039517	SHIELD-HEAT,HEADPIPE,OUTSIDE	1
26	1039530	SHIELD-FOIL,SIDE BOX,0.05"AL	1
27	1039600	SHIELD, ACCESS PANEL [TO 9/1/17]	1
27	1045268	SHIELD-ACCESS PANEL [FROM 9/1/2017]	1
28	1012357	SHIELD-REAR BUMPER	1

ENGINE, EXHAUST SYSTEM

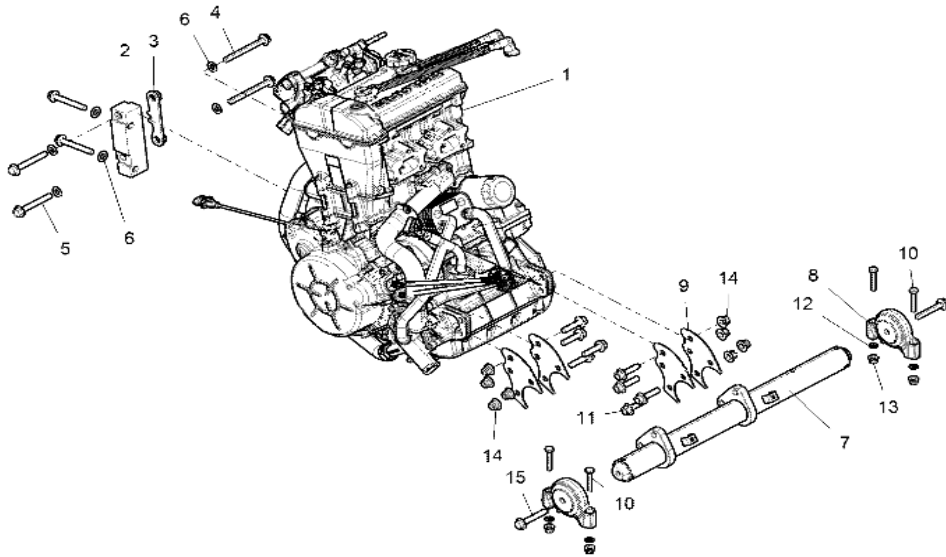
2018 RZR XP 4 1000 MD (R07) - Z18VFE99NK



POS	SAP	Part Name	Qty
29	1039635	STRAP-CABLE TIE W/EDGE CLIP	1

ENGINE, MOUNTING

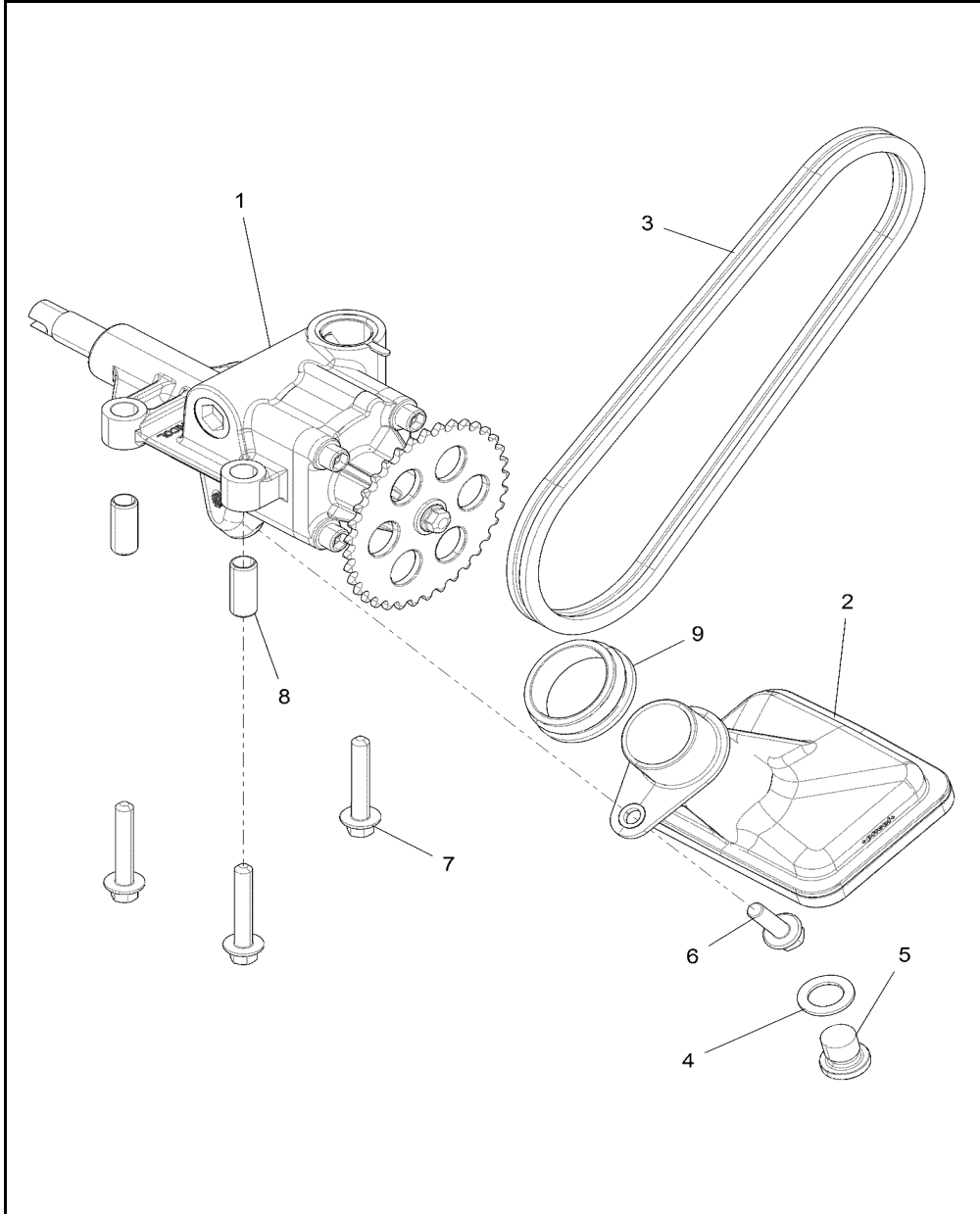
2018 RZR XP 4 1000 MD (R07) - Z18VFE99NK



POS	SAP	Part Name	Qty
1	1005181	ENGINE, LONG BLOCK	1
2	1039507	BRKT-TRANSJOINT,MACH	1
3	1039526	NUT, PLATE	1
4	1014442	SCREW	2
5	1038235	SCREW	4
6	1014520	WASHER	6
7	1039826	MOUNT, ENGINE, BLACK	1
8	1039356	MOUNT, ISOLATOR, DRIVELINE	2
9	1039519	BRACKET, MOUNT, ENGINE	4
10	1039723	SCREW	4
11	1039751	SCREW	8
12	1039776	NUT, PAL	4
13	1014499	NUT- M8X1.25, FLG, NYLOC-OLIVE D	4
14	1014500	NUT, FLANGE, NYLOK	8
15	1039707	BOLT	2

ENGINE, OIL PUMP

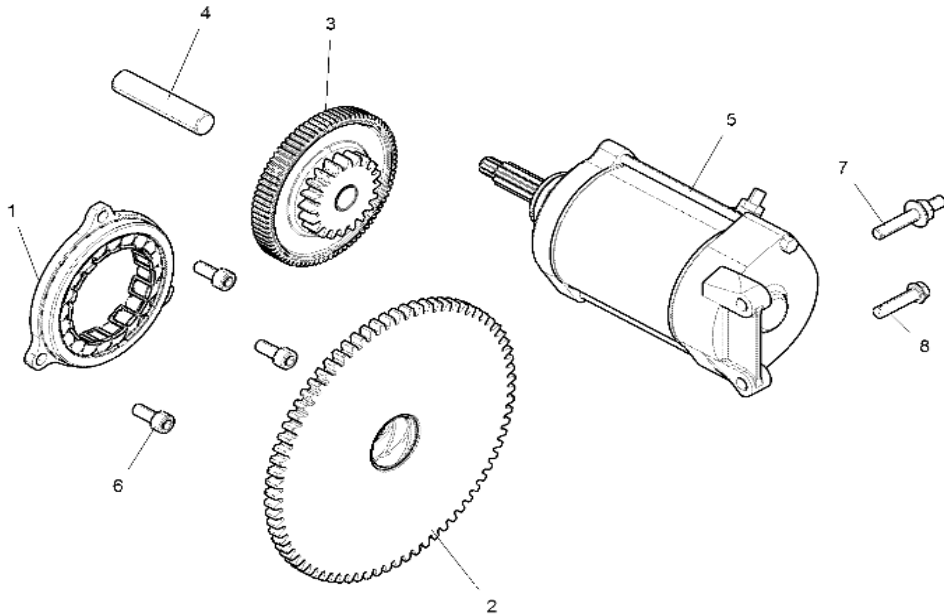
2018 RZR XP 4 1000 MD (R07) - Z18VFE99NK



POS	SAP	Part Name	Qty
1	1039414	PUMP-OIL [INCL. O-RING]	1
1	1045274	O-RING,OIL PUMP	1
2	1039386	PICK UP-OIL	1
3	1039418	CHAIN, OIL PUMP DRIVE	1
4	1012351	WASHER, COPPER	1
5	1014028	PLUG, SOCKET	1
6	1039735	SCREW	1
7	1039660	SCREW	3
8	1039811	DOWEL, HOLLOW, OIL PUMP	2
9	1039561	SEAL-PICKUP	1

ENGINE, STARTER

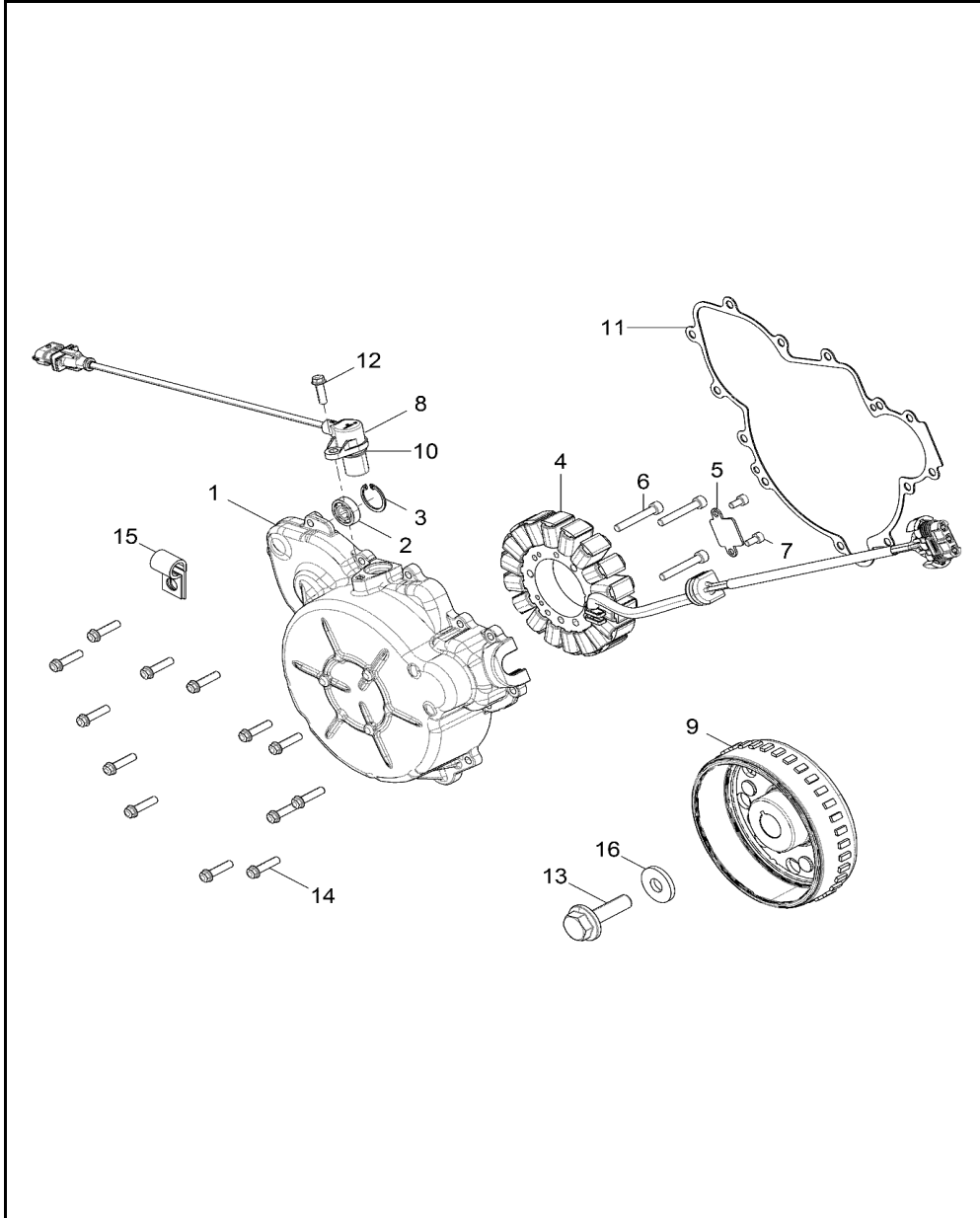
2018 RZR XP 4 1000 MD (R07) - Z18VFE99NK



POS	SAP	Part Name	Qty
1	1002291	ASM., SPRAG CLUTCH, HUB, STARTER	1
2	1002282	ASM., GEAR, STARTER, CRANK	1
3	1007014	ASM-TLG	1
4	1007006	PIN, LIMIT, GEAR	1
5	1009586	STARTER, 9T	1
6	1014428	SCREW	3
7	1039736	STUD, DOUBLE, END	1
8	1039744	SCREW	1

ENGINE, STATOR AND FLYWHEEL

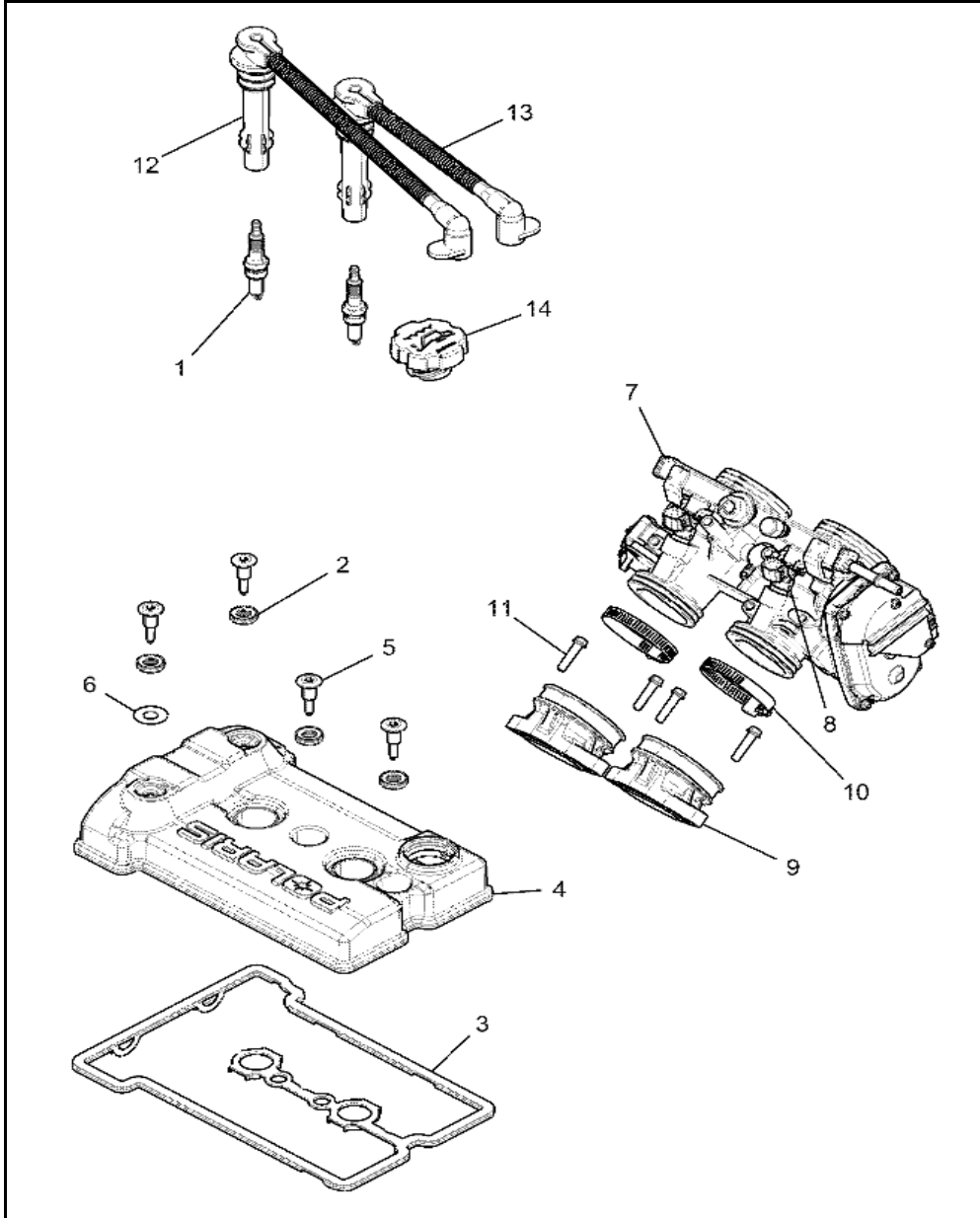
2018 RZR XP 4 1000 MD (R07) - Z18VFE99NK



POS	SAP	Part Name	Qty
1	1039346	ASM., IGNITION COVER [INCL. 2,3]	1
2	1039484	BEARING, BALL	1
3	1039819	RING, SNAP	1
4	1009592	STATOR	1
5	1039512	BRACKET, RETAINER, WIRE	1
6	1039653	SCREW	3
7	1039665	SCREW	2
8	1005829	SENSOR, CRANK POSITION [INCL. 10]	1
9	1039489	FLYWHEEL	1
10	-----	O-RING	1
11	1012355	GASKET, COVER, IGNITION	1
12	1039698	SCREW	1
13	1014481	SCR-HXFL-M12X1.25X43 12.9	1
14	1039744	SCREW	13
15	1039618	CLAMP, HOSE	1
16	1014531	WSHR-32X12X4,HARD	1

ENGINE, THROTTLE BODY AND VALVE COVER

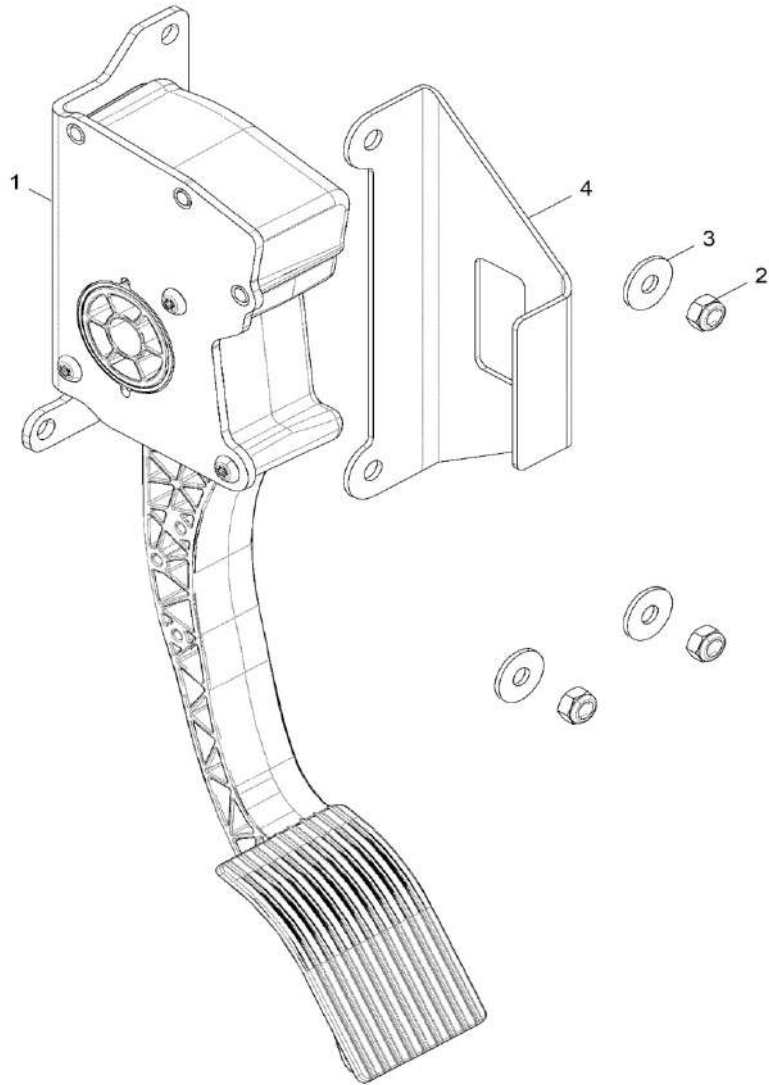
2018 RZR XP 4 1000 MD (R07) - Z18VFE99NK



POS	SAP	Part Name	Qty
1	1007009	PLUG, SPARK	2
2	1011796	ISOLATOR, VALVE COVER	4
3	1011807	SEAL, VALVE COVER,	1
4	1039589	COVER, VALVE, CAST	1
5	1039730	BOLT, SHOULDRER	4
6	1014530	WASHER, GROUNDING	1
7	1005828	SENSOR, TMAP	1
7	1039416	CLIP-INJECTOR	2
7	1039349	ASM-THROTTLE BODY,DUAL ETC [INCL. CLIP,8]	1
7	1045280	FUEL RAIL	1
8	1039383	INJ., EV 14 COMP, EXT	2
9	1030114	ASM., THROTTLE BODY ADAPTER	2
10	1039614	CLAMP, NARROWBAND	2
11	1039744	SCREW	4
12	1009583	WIRE, SPARK PLUG, MAG	1
13	1009584	WIRE, SPARK PLUG, PTO	1
14	1002289	ASM., OIL FILL CAP [INCL. O-RING]	1
14	1011803	O-RING-FILL CAP	1

ENGINE, THROTTLE PEDAL

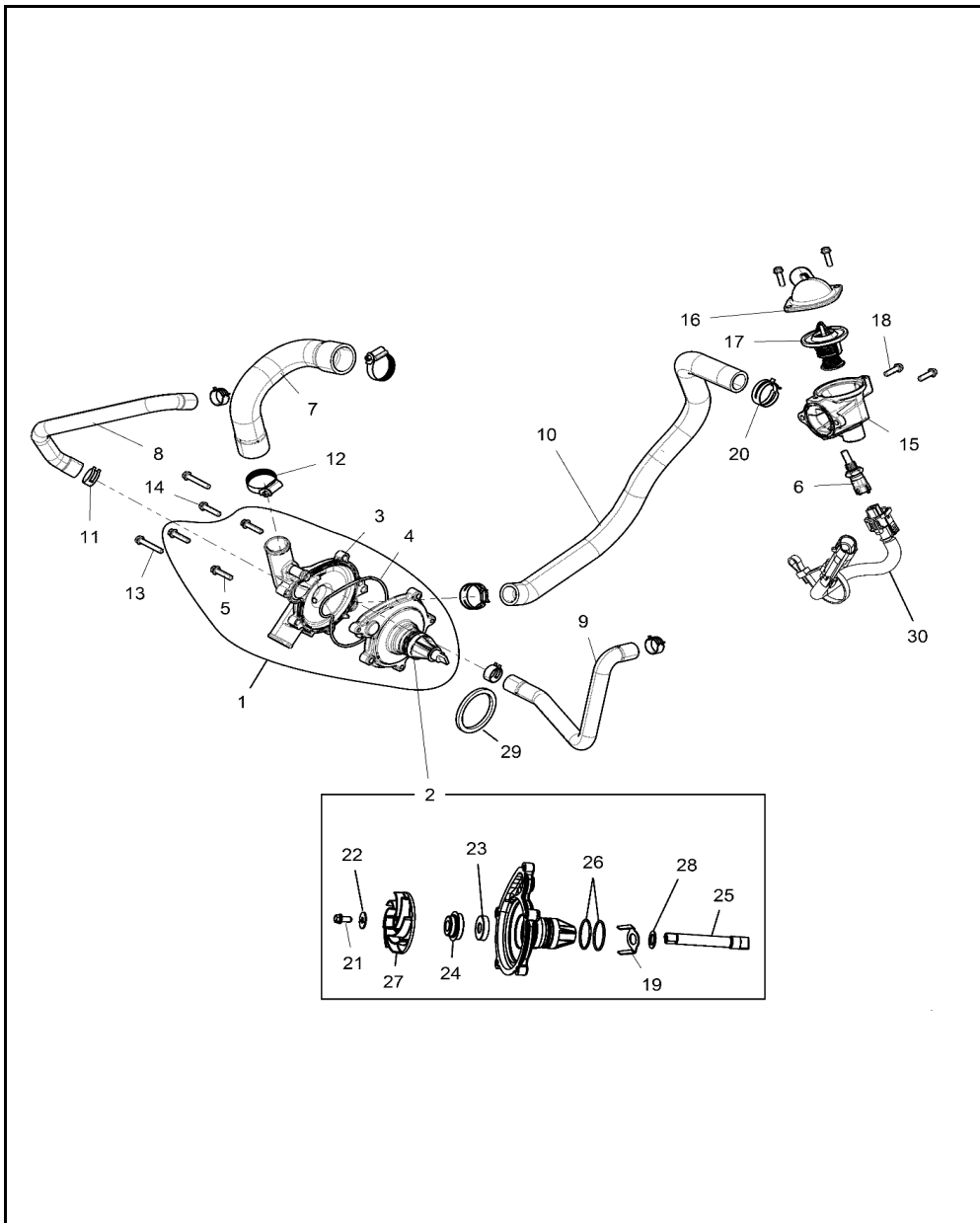
2018 RZR XP 4 1000 MD (R07) - Z18VFE99NK



POS	SAP	Part Name	Qty
1	1009578	PEDAL-ELECTRONIC THROTTLE	1
2	1039773	NUT-6MM X 1 NYLON-Z	3
3	1039804	WSHR-6.4X18.0X1.6 ZC	3
4	1039895	PEDAL-BRACKET,M.BLK	1

ENGINE, WATERPUMP AND BYPASS

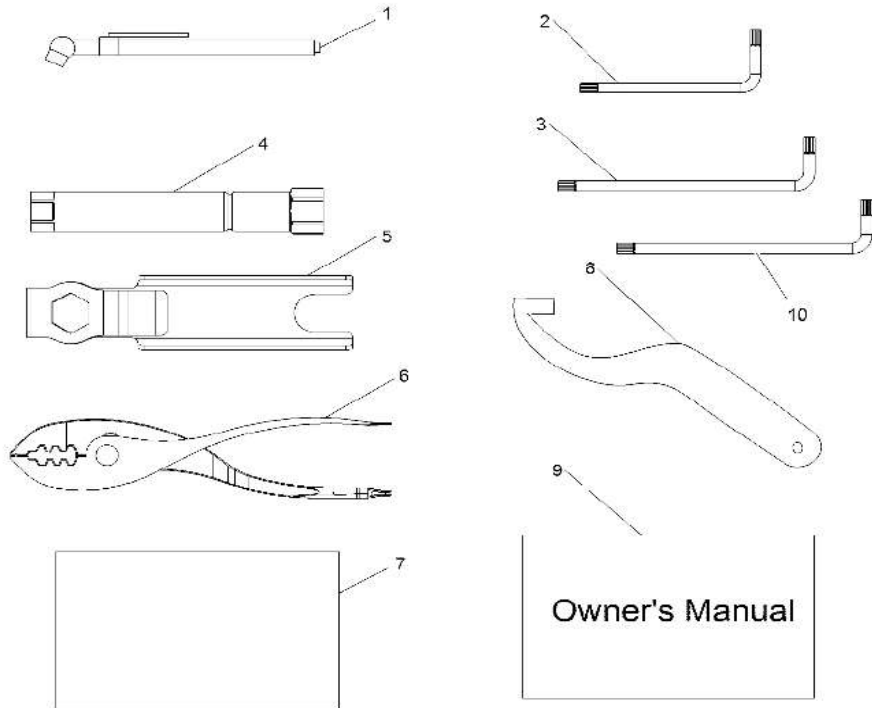
2018 RZR XP 4 1000 MD (R07) - Z18VFE99NK



POS	SAP	Part Name	Qty
1	1002290	ASM, WATERPUMP	1
2	-----	ASM, WATER PUMP HOUSING [INCL. 19,21-28]	1
3	-----	ASM, WATERPUMP COVER	1
4	-----	GASKET, WATERPUMP COVER	1
5	-----	SCREW	3
6	1009561	SENSOR, THERMISTER	1
7	1028624	HOSE, WATER PUMP OUT, FORMED	1
8	1039542	HOSE, OIL COOLER OUTLET	1
9	1039545	HOSE, OIL COOLER IN	1
10	1039560	HOSE, BYPASS	1
11	1039625	CLAMP, HOSE, SPRING	4
12	1039628	CLAMP, HOSE	2
13	1014452	SCREW	2
14	1039744	SCREW	1
15	1039503	HOUSING, THERMOSTAT	1
16	1039587	COVER, THERMOSTAT, CAST	1
17	1014031	THERMOSTAT	1
18	1039698	SCREW	4
19	-----	WASHER, ANTI-ROTATION	1
20	1039637	CLAMP, SPRINGBAND	2
21	-----	SCREW	1
22	-----	WASHER, IMPELLER	1
23	-----	SEAL, WATERPUMP SHAFT, OIL	1
24	-----	SEAL, WATERPUMP SHAFT, WATER	1
25	-----	SHAFT, WATERPUMP	1
26	-----	O-RING	2
27	-----	IMPELLER, WATERPUMP	1
28	-----	WASHER, WATERPUMP, RETAINER	1
29	1039601	FILTER, WP	1
30	1039490	WIRE-THERMISTER LEAD	1

REFERENCE, OWNERS MANUAL AND TOOL KIT

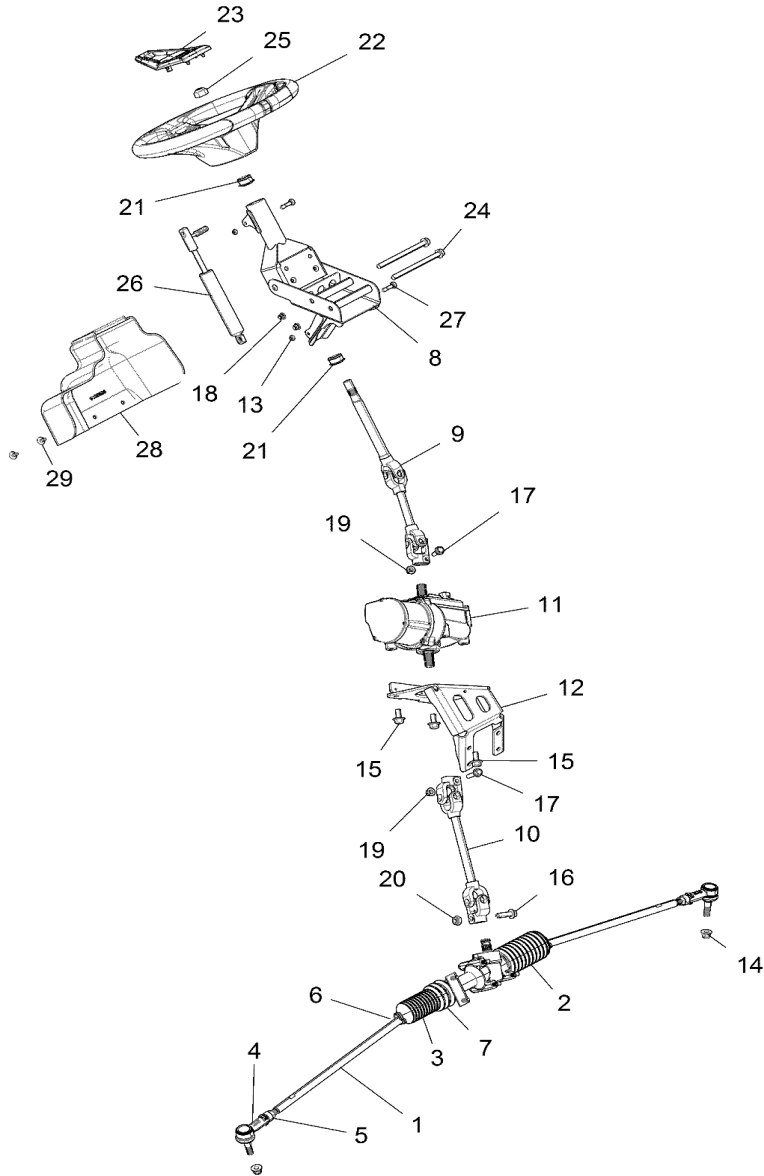
2018 RZR XP 4 1000 MD (R07) - Z18VFE99NK



POS	SAP	Part Name	Qty
	1006632	KIT, TOOL [INCL. 2-6,10]	1
1	1039402	GAUGE, TIRE PRESSURE	1
2	1039400	WRENCH, TORX, T-25	1
3	-----	WRENCH, TORX, T-27	1
4	-----	SOCKET, SPARK PLUG	1
5	-----	HANDLE, SPARK PLUG	1
6	1039401	PLIERS, COMBO	1
7	1039394	POUCH, TOOL KIT	1
8	1039834	WRENCH, SPAN/SPREADER, BLACK	1
9	1039822	MAN-OWN,18 RZR 1000XP MD/ZG/EU	1
10	1039403	WRENCH, TORZ, T-40	1

STEERING, POWER STEERING ASM.

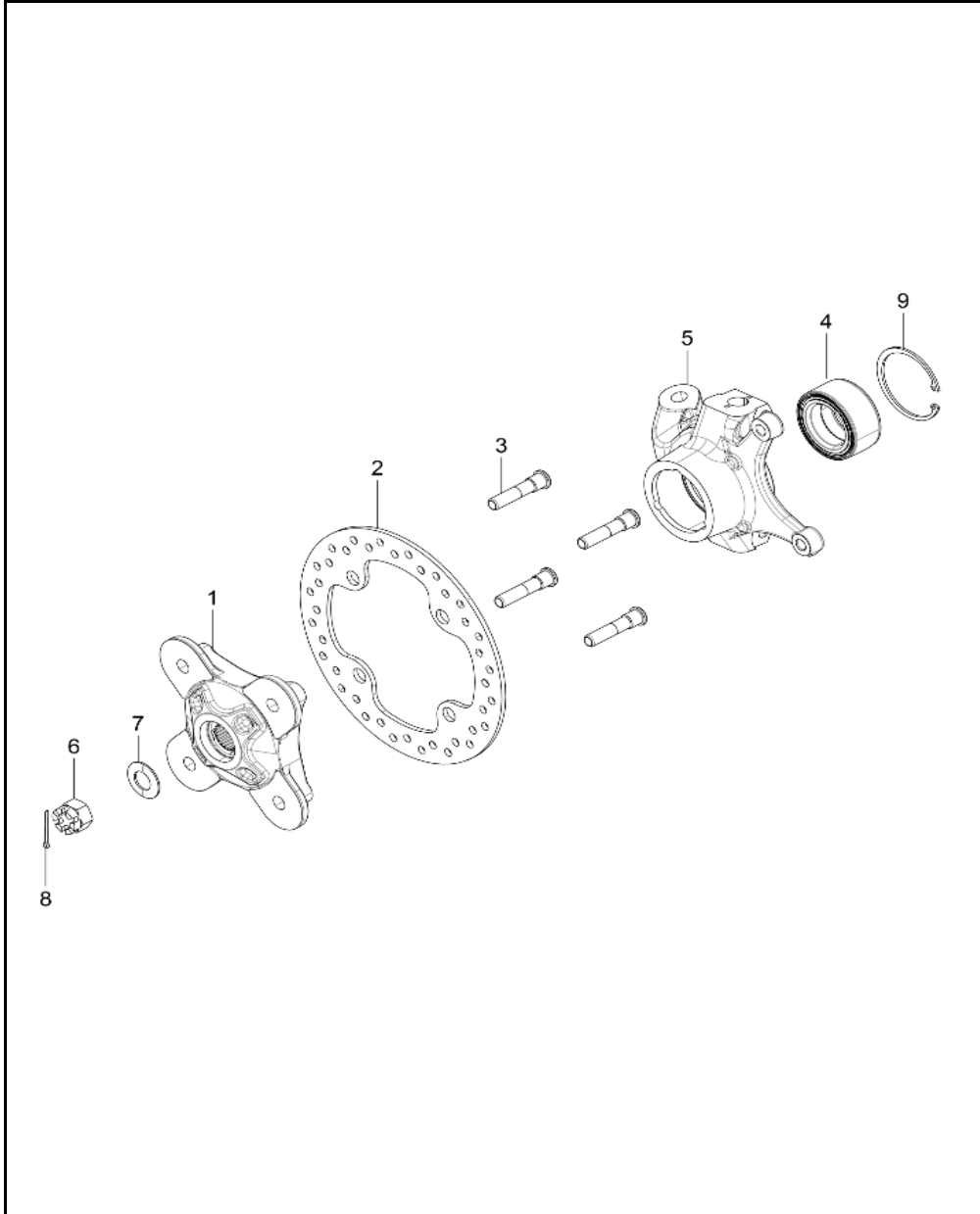
2018 RZR XP 4 1000 MD (R07) - Z18VFE99NK



POS	SAP	Part Name	Qty
1	1004103	ASM., GEAR BOX, STEERING [INCL. 2-7]	1
2	1039534	D.S. BELLOWS	1
3	1039535	P.S. BELLOWS	1
4	1014047	TIE ROD, OUTER	2
5	1005156	NUT, JAM	2
6	1039640	CLAMP, SMALL	2
7	1039624	CLAMP, LARGE	2
8	1039831	ASM., TILT, STEERING, RIVETED, M10, MATTE BLACK	1
9	1039365	SHAFT, STEERING, UPPER	1
10	1039366	SHAFT, STEERING LOWER, EPS	1
11	1005842	ASM-POWER STEERING,RZR,2.0T	1
12	1039883	MOUNT, EPS, BLACK	1
13	1039773	NUT-6MM X 1 NYLOK-Z	2
14	1014501	NUT	2
15	1039690	BOLT	3
16	1039702	SCREW	1
17	1039716	SCREW	2
18	1014500	NUT, FLANGE, NYLOK	2
19	1014499	NUT- M8X1.25, FLG, NYLOC-OLIVE D	7
20	1039786	NUT	1
21	1014528	BUSHING-STEERING	2
22	1004100	WHEEL, STEERING	1
23	1011891	CAP, STEERING WHEEL, INDY RED	1
24	1039703	BOLT	2
25	1039791	NUT	1
26	1014004	ASM., SHOCK, OIL LOCKING	1
27	1039761	BOLT, SHOULDER	2
28	1039562	COVER-EPS	1
29	1039720	SCR-TXTH-M6X1.0X15 ZPB TAP	2

SUSPENSION, FRONT CARRIER- Z18VFE99NK (702255)

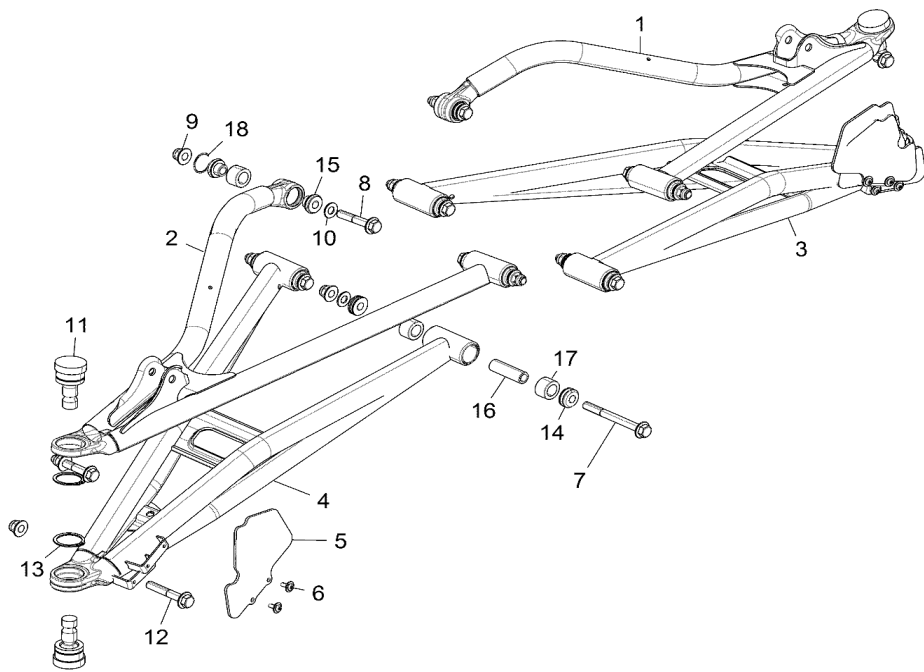
2018 RZR XP 4 1000 MD (R07) - Z18VFE99NK



POS	SAP	Part Name	Qty
1	1011265	HUB-WHEEL(MACH),BLK	1
2	1011487	DISC-BRAKE	2
3	1014465	STUD-WHEEL,M12-1.5	8
4	1008451	BEARING-BALL,SEALED,44X72X33.1	1
4	1008460	BEARING-BALL,SEALED,44X72X33.1 (HEAVY DUTY) [OPTIONAL]	1
5	1011211	KNUCKLE-FRONT,LH(MACH)	1
5	1011212	KNUCKLE-FRONT,RH(MACH)	1
6	1014502	NUT-M18X1.5,CASTLE,ZINC/YELLOW	2
7	1039806	WSHR-BLVL,19X42X4.5-5.08	2
8	1014587	PIN-COTTER 1/8X1 1/2-Y	2
9	1014626	RING-RETAINING,2.835,INTERNAL	2

SUSPENSION, FRONT CONTROL ARMS

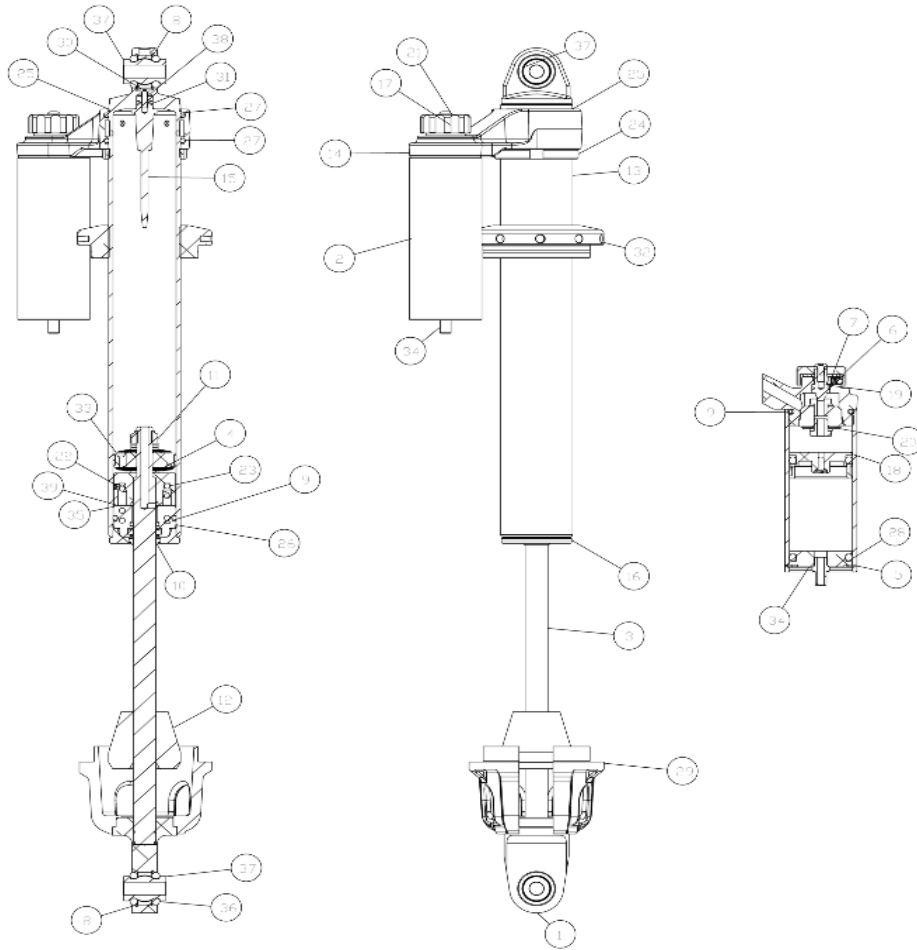
2018 RZR XP 4 1000 MD (R07) - Z18VFE99NK



POS	SAP	Part Name	Qty
1	1001554	WELD-CTRL ARM,UPR,FR,LH,64,BLK	1
2	1001555	WELD-CTRL ARM,UPR,FR,RH,64,BLK	1
3	1001519	WELD-CTRL ARM,LWR,FR,LH,64,BLK	1
4	1001522	WELD-CTRL ARM,LWR,FR,RH,64,BLK	1
5	1011843	SHIELD, CV, FRONT, BLACK	2
6	1039657	SCREW	4
7	1014442	SCREW	6
8	1014453	SCREW	2
9	1014500	NUT, FLANGE, NYLOK	12
10	1014520	WASHER	8
11	1014085	BALL-JOINT,HARDENED	4
12	1014454	SCREW	4
13	1014625	RING, RETAINING	4
14	1003526	ASM-PIVOT CAP,SEALED,M10	12
15	1003528	ASM-PIVOT CAP,SEALED,SLIM,M10	4
16	1011216	SHAFT-PIVOT,SHORT,M10	6
17	1011925	BUSHING-STANDARD,SUSP,M10	14
18	1014628	28MM SPIRAL RING,STEEL	2

SUSPENSION, FRONT SHOCK INTERNALS

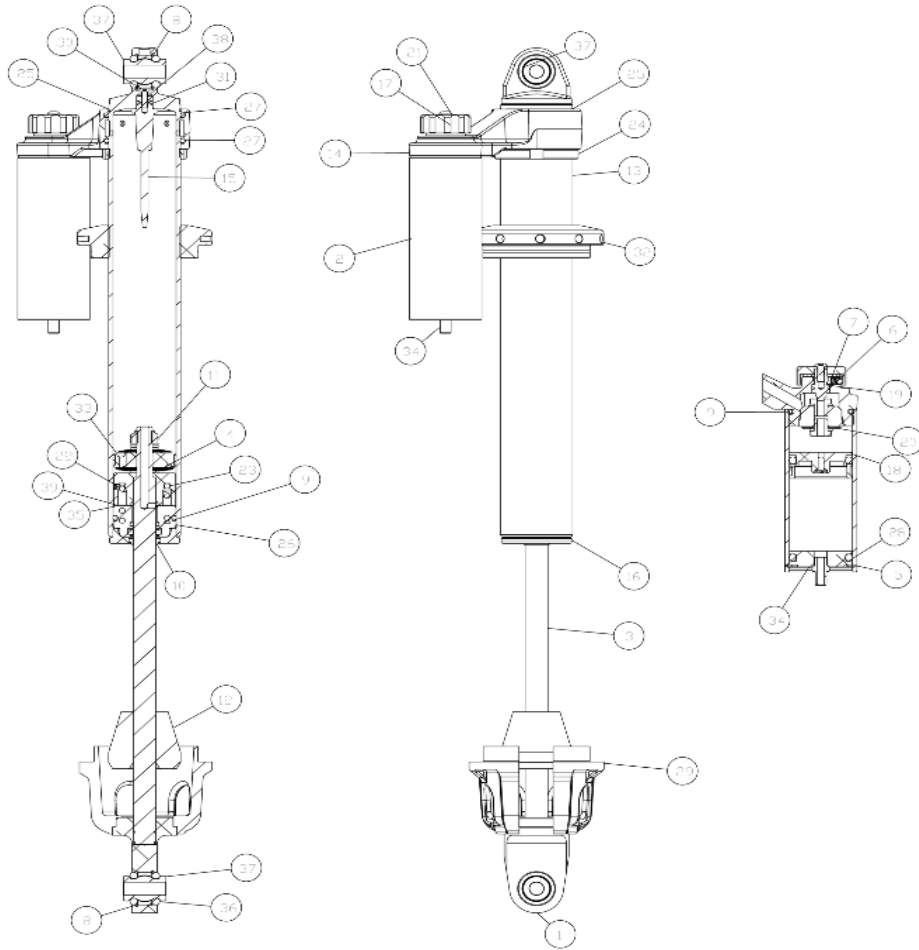
2018 RZR XP 4 1000 MD (R07) - Z18VFE99NK



POS	SAP	Part Name	Qty
	1035071	SHOCK-FRT,RZRXP,PIGGYBK,MP,LH [INCL ALL]	1
	1035070	SHOCK-FRT,RZRXP,PIGGYBK,MP,RH [INCL ALL]	1
1	1045342	EXT SHAFTLOOP .625THD 1" BRG	1
2	1040519	Res Body, 2.0", 5.0L (Hard Clear)	1
3	1004064	SHAFT, .625 CHROME NEEDLE 12.84L .144 BLEED X1	1
4	1045340	DROOP SPACER W NEG SPRING	1
5	1040499	RING, SNAP 1.750ID	1
6	1040506	BALL, DETENT 3/16"	1
7	1040507	SPRING, DETENT	1
8	1040509	RING, SNAP 1.0 ID	4
9	1004047	O-RING 2-222	2
10	1040496	WIPER	1
11	1040497	NUT, CRIMP (CASTLE) 7/16	1
12	1004073	BUMP STOP, MCU, 2.0Dia x 1.75L (ISC 140174-N)	1
13	1045338	BODY, MONOTUBE CO, 2.0 x 14.285L Hard CLEAR	1
14	1045339	BRIDGE, WIDE 2.0 WER ADJUSTER (CLEAR)	1
15	1040491	NEEDLE,1PC, PRESS IN	1
16	1040512	CAP, WIPER 2.0 PRESS IN (CLEAR ANODIZE)	1
17	1040503	CLICKER KNOB (BLACK)	1
18	1040501	IFP PISTON ASM 1.750 W BLEED	1
19	1040502	ASM. CLICKER STUD	1
20	1046475	ASM. CLICKER PISTON	1
21	1040504	SCREW, HEAD 10/32 BTN	1
22	1047013	Screw,Set #8-32	3
23	1047014	Spring,Century# 11980 DIRT	1
24	1040510	JAMB NUT,2.0in Acme (Clear)	1
25	1040498	Retaining Ring	1
26	1004065	.0625 X 1.75 ID WIRE RING	1
27	1040495	O-RING 2-226	2
28	1040500	O-RING 2-324	1

SUSPENSION, FRONT SHOCK INTERNALS

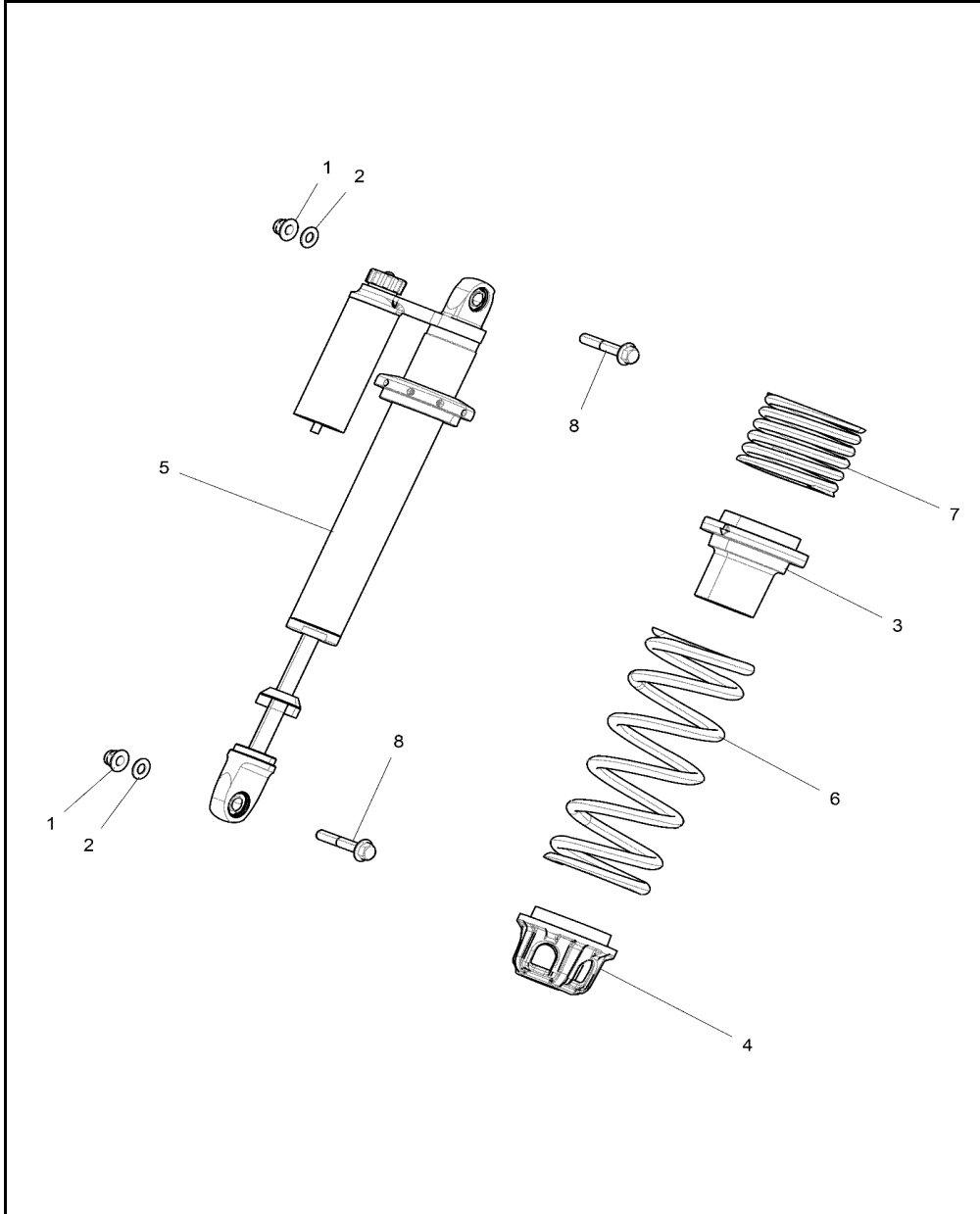
2018 RZR XP 4 1000 MD (R07) - Z18VFE99NK



POS	SAP	Part Name	Qty
29	1039590	SPRING RETAINER	1
30	1040493	#8-32 X .500 LOW HEAD SCREW	1
31	1040494	O-RING 2-108	1
32	1004074	SPRING NUT 2in ACME (CLEAR)	1
33	1004059	PISTON ASSEMBLY	1
34	1040516	ASM. END CAP 2in (CLEAR)	1
35	1004075	ASM. SEAL HEAD, 2.0, PRESS- IN, STD SEALS	1
36	1004067	O-RING 2-312	4
37	1004066	BEARING HFKS8T-10MM	2
38	-----	5mm ID x 2mm thk. O-RING	1
39	-----	SHIM, 5/8 X .015 X 1.55	1

SUSPENSION, FRONT SHOCK MOUNTING

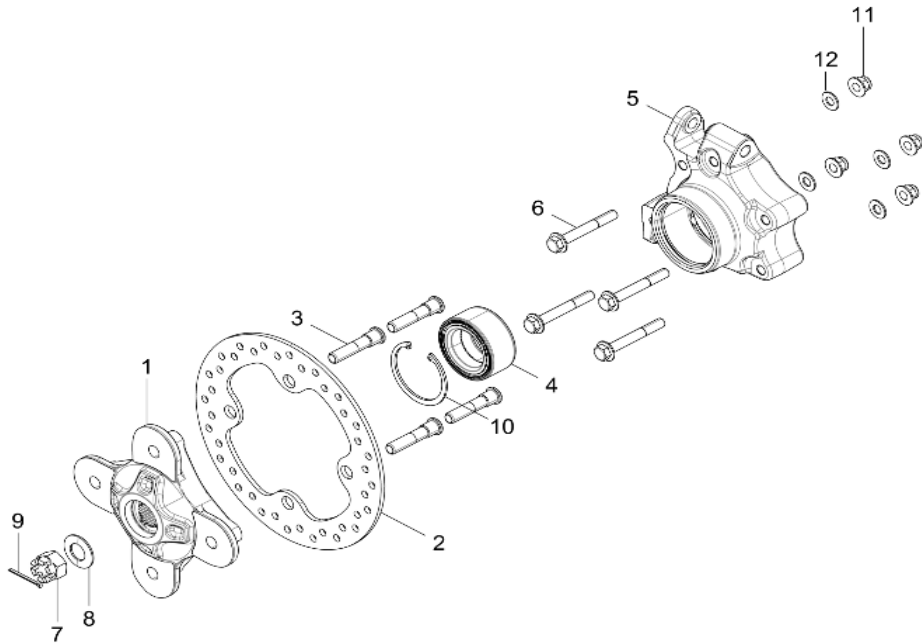
2018 RZR XP 4 1000 MD (R07) - Z18VFE99NK



POS	SAP	Part Name	Qty
1	1014500	NUT, FLANGE, NYLOK	4
2	1014520	WASHER	4
3	1039572	SPACER, SPRING	2
4	1039590	RETAINER, SPRING, CAST	2
5	1035071	SHOCK-FRT,RZRXP,PIGGYBK,MP,LH	1
5	1035070	SHOCK-FRT,RZRXP,PIGGYBK,MP,RH	1
6	1014007	SPR-335#,10.25FL,3.04-3.04ID,R	2
7	1014008	SPR-280#,6.1FL,3.04-3.04ID,RED	2
8	1014453	SCREW	4

SUSPENSION, REAR CARRIER

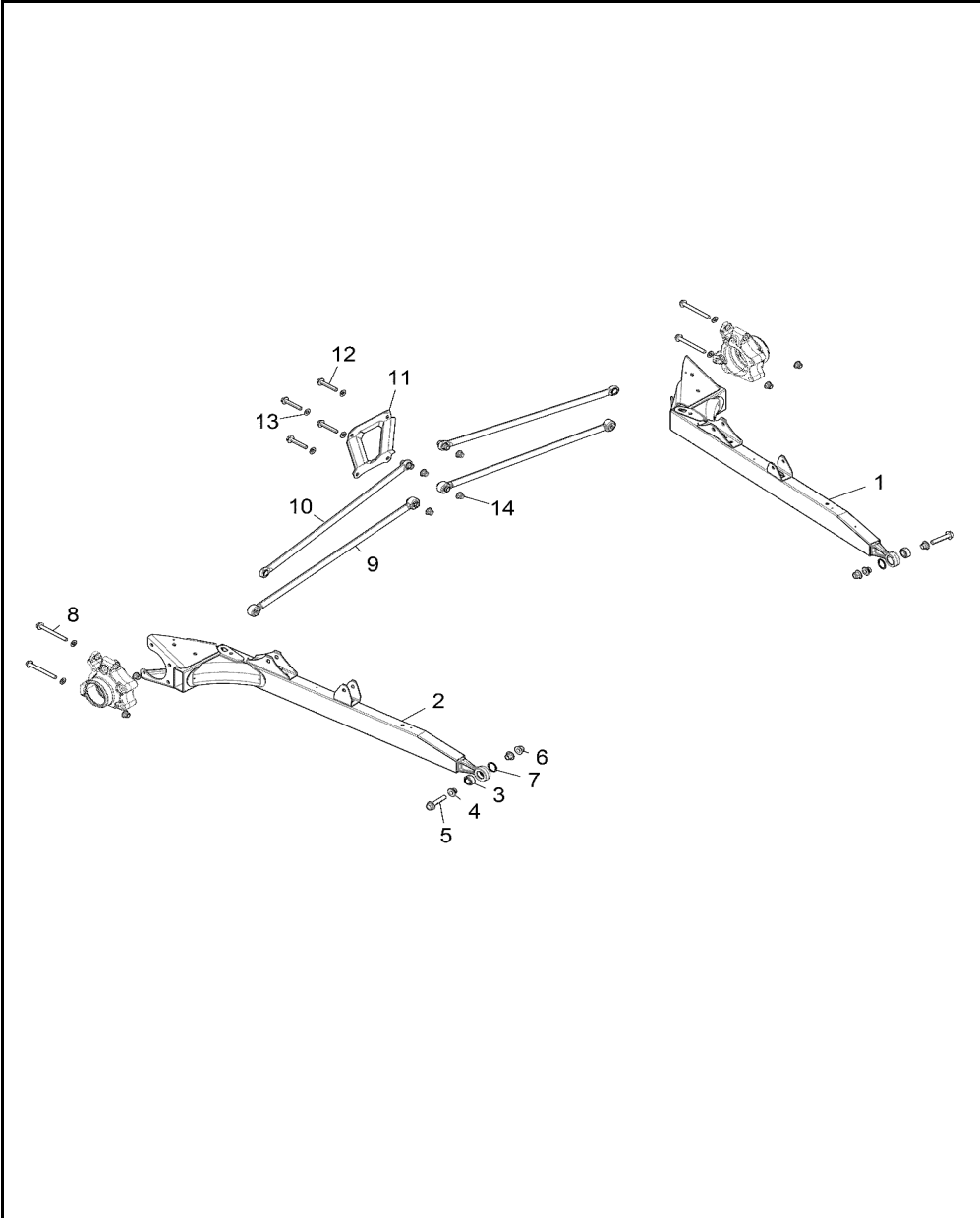
2018 RZR XP 4 1000 MD (R07) - Z18VFE99NK



POS	SAP	Part Name	Qty
1	1011265	HUB-WHEEL(MACH),BLK	1
2	1011487	DISC-BRAKE	2
3	1014465	STUD-WHEEL,M12-1.5	8
4	1008451	BEARING-BALL,SEALED,44X72X33.1	1
4	1008460	BEARING-BALL,SEALED,44X72X33.1 (HEAVY DUTY) [OPTIONAL]	1
5	1011253	CARRIER-BEARING,WHEEL,LH(MACH)	1
5	1011254	CARRIER-BEARING,WHEEL,RH(MACH)	1
6	1038235	SCR-HXFL-M10X1.25X75 10.9 ZOD	8
7	1014502	NUT-M18X1.5,CASTLE,ZINC/YELLOW	2
8	1039806	WSHR-BLVL,19X42X4.5-5.08	2
9	1014587	PIN-COTTER 1/8X1 1/2-Y	2
10	1014620	RING-RETAINING,2.875,INTERNAL	2
11	1014500	NUT-M10X1.25,FLG,NYLOC-OLIVE D	8
12	1014520	WASHER-3/8 FW SAE STL THRU-HRD	8

SUSPENSION, REAR CONTROL ARMS

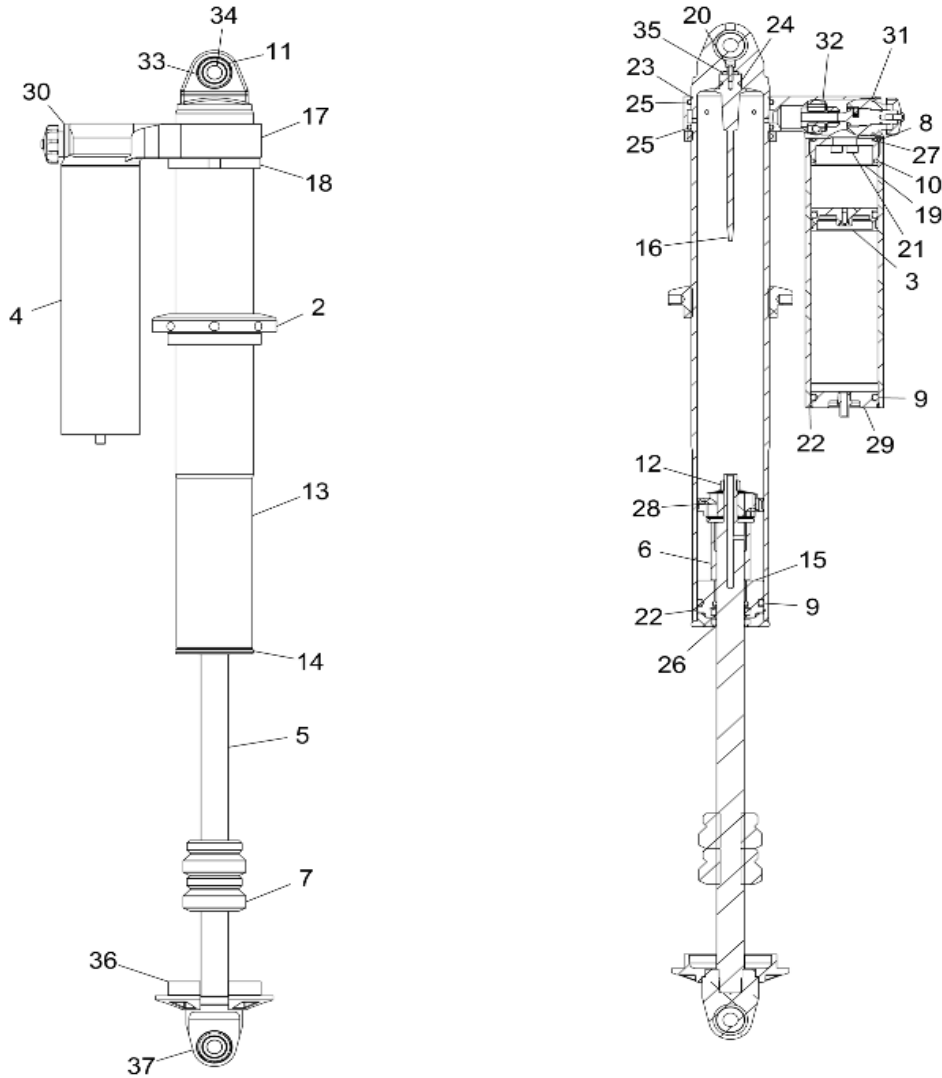
2018 RZR XP 4 1000 MD (R07) - Z18VFE99NK



POS	SAP	Part Name	Qty
1	1001467	WELD-TRL ARM,LH,BLK	1
2	1001468	WELD-TRL ARM,RH,BLK	1
3	1008442	BEARING, SPHERICAL	2
4	1011685	BUSHING, REDUCER	4
5	1014448	SCREW	2
6	1014501	NUT, FLANGE, NYLOK	2
7	1014619	RING, RETAINER	2
8	1014490	SCR-HXFL-M12X1.5X105 10.9 ZOD	4
9	1003533	ASM-RADIUS ROD,BTM,BLK	2
10	1003534	ASM-RADIUS ROD,BLK	2
11	1011516	PLATE-REAR,BOLT BRACE,M.BLK	1
12	1014489	SCR-HXFL-M12X1.5X65 10.9 ZOD	4
13	1014520	WASHER-3/8 FW SAE STL THRU-HRD	8
14	1014500	NUT, FLANGE, NYLOK	8

SUSPENSION, REAR SHOCK INTERNALS

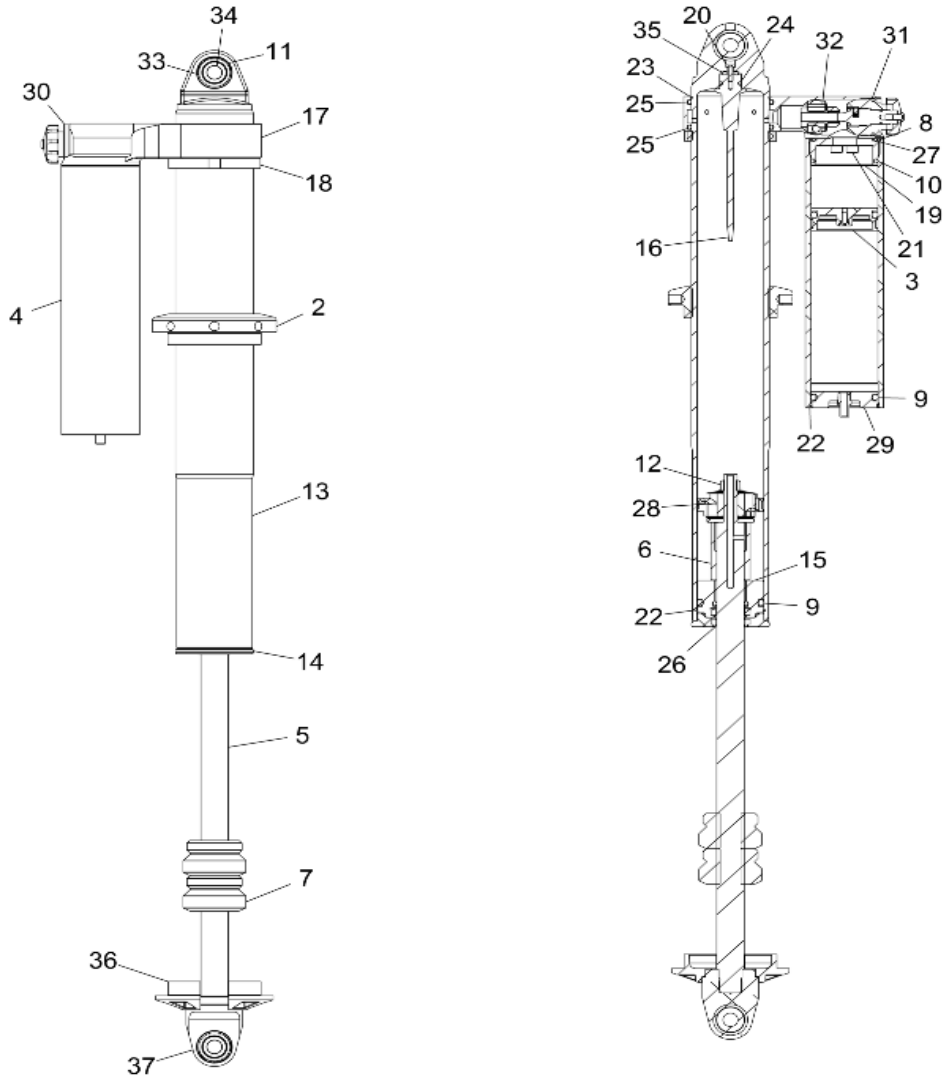
2018 RZR XP 4 1000 MD (R07) - Z18VFE99NK



POS	SAP	Part Name	Qty
1	1039607	SHOCK-REAR,2.5,MP [INCL. ALL]	1
2	1004068	2.5in SPRING NUT (Clear)	1
3	1047015	RES, PISTON 2.5IN ASM	1
4	1047016	2.5in 9.5L PB RES CAN WR (ANODIZE HARD CLEAR)	1
5	1004061	SS 7/8in CHROME NEEDLE SHAFT 18.295L	1
6	1004063	SPACER 2.037L	1
7	1047017	1.25 BUMP STOP LG	2
8	1045365	O-RING 2-033	1
9	1004057	O-RING 2-327	2
10	1045367	O-RING 2-225	1
11	1004055	RING- RETAIN (SNAP)	4
12	1045368	7/16 Ny Lock nut	1
13	1047018	BODY, MONOTUBE 2.5 Rear w Needle 21.070L	1
14	1004071	CAP, WIPER,2.5 PRESS FIT 7/8 (CLEAR)	1
15	1004072	ASM. SEAL HEAD 2.5 X .875 PI	1
16	1047019	Needle, 1pc Press in	1
17	1045369	BRIDGE, 2.5 WER ADJUSTER (CLEAR)	1
18	1045370	2.5in CROSSOVER RING/ JAM NUT	1
19	1045371	2.5 RES MOUNT	1
20	1040493	#8-32 X .500 LOW HEAD SCREW	1
21	1045372	SCREW, SHCS 1/4-20 X .5"	4
22	1004070	Retaining Ring 2.5	2
23	1045375	Retaining Ring 2.5in	1
24	1047020	O-RING 2-112	1
25	1045374	O-RING 2-230	2
26	1004062	WIPER 2.5 SH .875 SHAFT	1
27	1045376	O-RING, 2-134	1
28	1047021	Piston Assembly (.100 Bleed)	1
29	1045373	ASM. END CAP, 2.5 SCHRAEDER	1
30	1045379	ASM. SS RETENTION NUT (GOLD)	1

SUSPENSION, REAR SHOCK INTERNALS

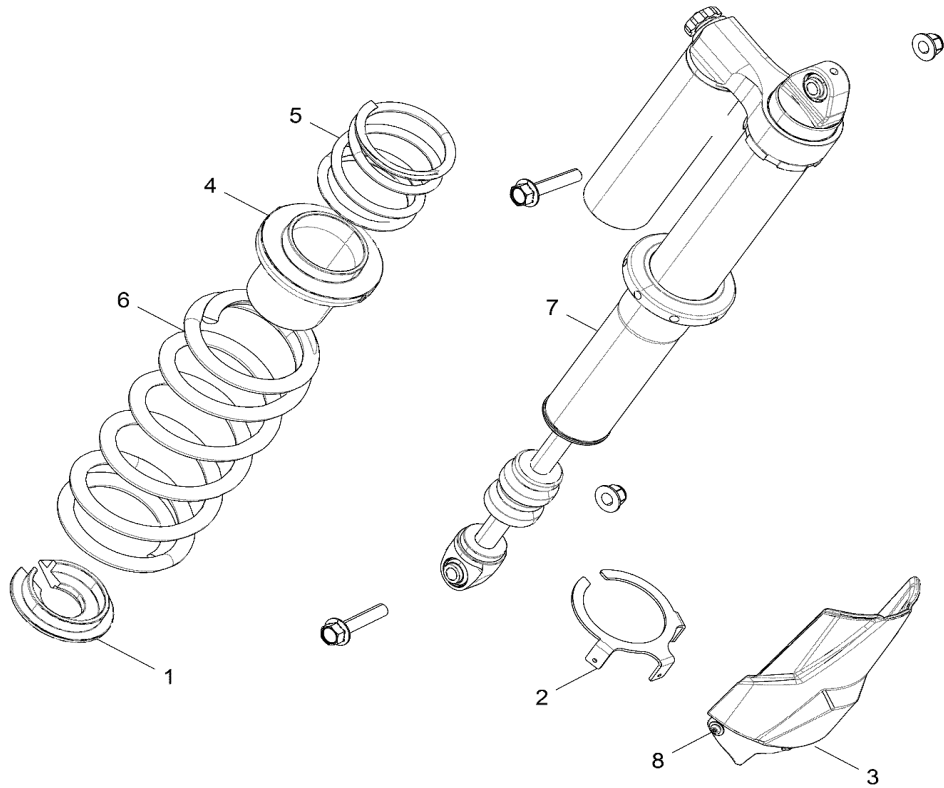
2018 RZR XP 4 1000 MD (R07) - Z18VFE99NK



POS	SAP	Part Name	Qty
31	1045378	O-RING 2-122	1
32	1045377	VALVE, CHECK ASSEMBLY	1
33	1004067	O-RING 2-312	4
34	1004076	BEARING HCOM9T-12MM	2
35	-----	O-RING -202	1
36	1039361	Spring Retainer	1
37	1045361	9/16 HEIM SHAFTLOOP (Clear)	1

SUSPENSION, REAR SHOCK MOUNTING

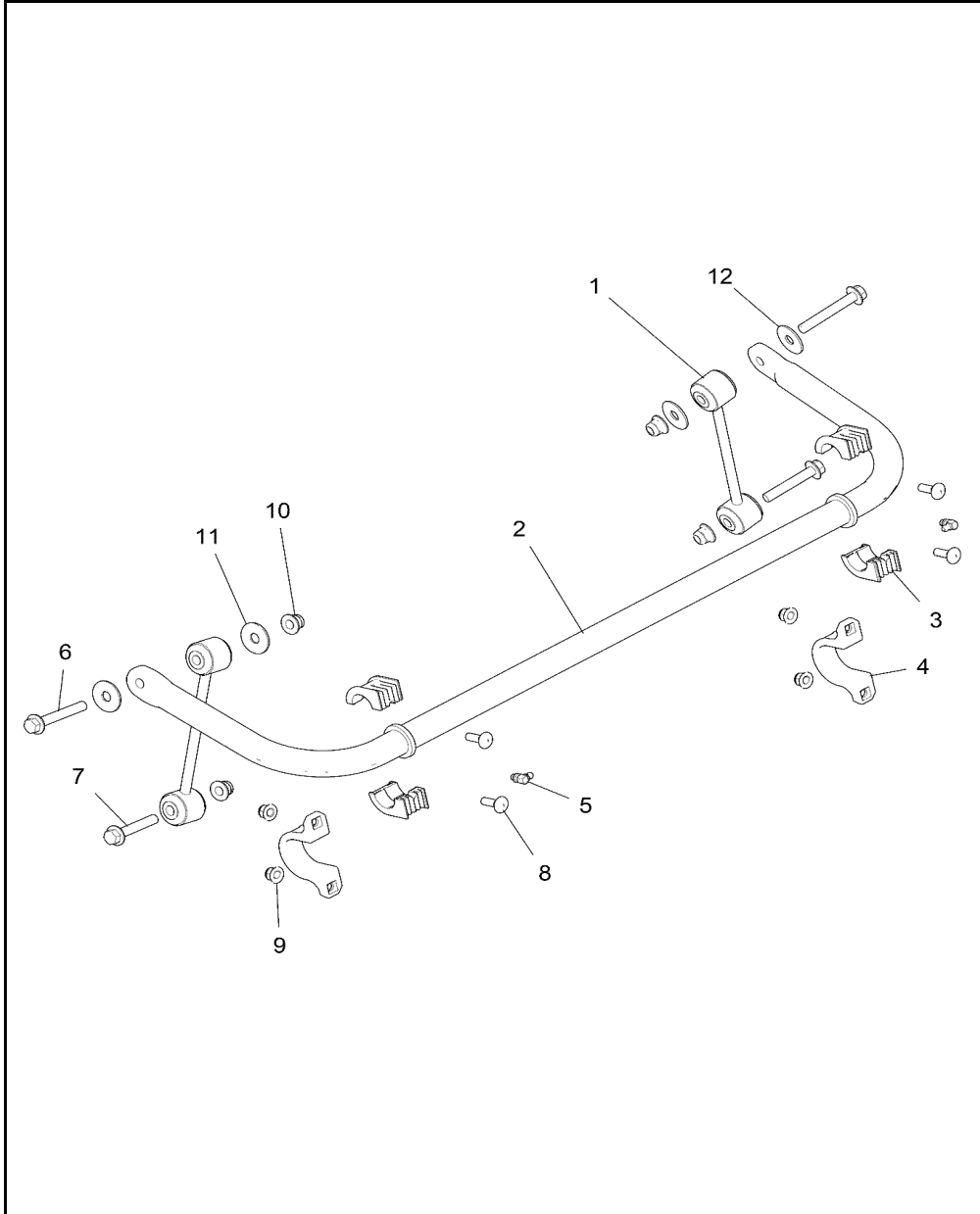
2018 RZR XP 4 1000 MD (R07) - Z18VFE99NK



POS	SAP	Part Name	Qty
1	1039361	RETAINER-SPRING,2.5"	2
2	1039521	MOUNT, SHOCK GUARD	2
3	1011845	GUARD, SHOCK ROD, REAR, BLACK	2
4	1039568	SPACER, SPRING	2
5	1014006	SPG-270#,16.75FL,3.04-3.04ID,R	2
6	1014005	SPR-160#,6.8FL,3.04-3.04ID,RED	2
7	1039607	SHOCK-REAR,2.5,MP	2
8	1039657	SCREW	6
9	1014448	SCREW	4
10	1014501	NUT, FLANGE, NYLOK	4

SUSPENSION, STABILIZER BAR, REAR

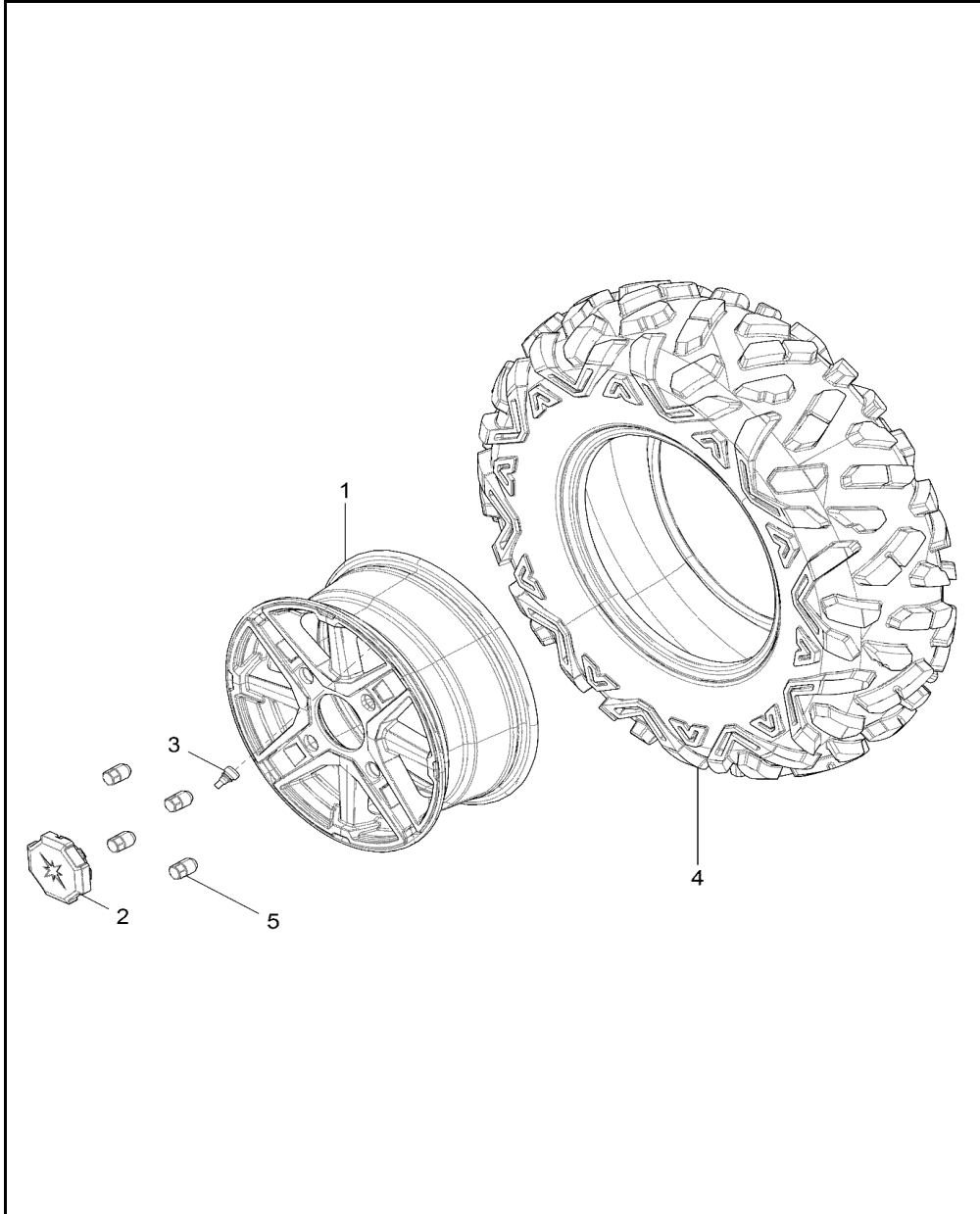
2018 RZR XP 4 1000 MD (R07) - Z18VFE99NK



POS	SAP	Part Name	Qty
1	1003529	ASM-LINKAGE,STABILIZER BAR,TR	2
2	1011687	BAR-STABILIZER	1
3	1011898	BUSHING-REAR BAR,28.5MM	4
4	1012194	BRACKET, CAP, SWAY BAR	2
5	1039616	FITTING, ZERK	2
6	1039692	BOLT	2
7	1039694	BOLT	2
8	1014486	SCREW, CARRIAGE	4
9	1014499	NUT- M8X1.25, FLG, NYLOC-OLIVE D	4
10	1014500	NUT, FLANGE, NYLOK	4
11	1014516	WASHER, FLAT	2
12	1014520	WASHER-3/8 FW SAE STL THRU-HRD	2

WHEELS, FRONT

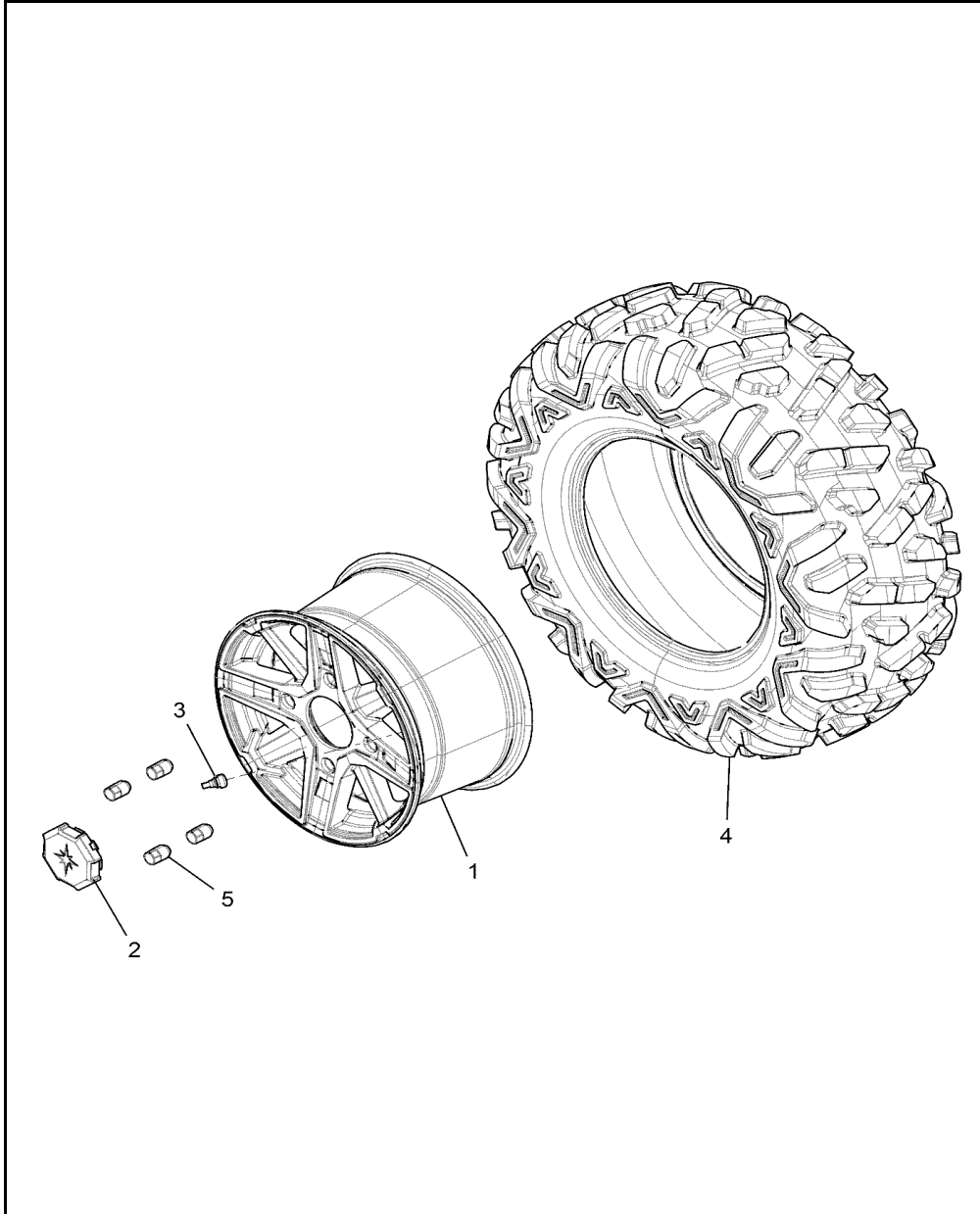
2018 RZR XP 4 1000 MD (R07) - Z18VFE99NK



POS	SAP	Part Name	Qty
1	1003480	RIM-FRT,14X6,CAST,53,FLASH BLK	2
2	1003482	CAP-RIM,BLK	2
3	1039363	VALVE-RIM	2
4	1039553	TIRE-FRONT,29X9 R14,BIGHRN,EM	2
5	1014505	NUT, WHEEL, TAPERED	8

WHEELS, REAR

2018 RZR XP 4 1000 MD (R07) - Z18VFE99NK



POS	SAP	Part Name	Qty
1	1003481	RIM-RR,14X8,CAST,63.5,FLSH BLK	2
2	1003482	CAP-RIM,BLK	2
3	1039363	VALVE-RIM	2
4	1039557	TIRE-REAR,29X11 R14,BIGHRN,E-M	2
5	1014505	NUT, WHEEL, TAPERED	8

Accessories



4-Seat Kick-Out Rock Sliders | Part # 2882079-458



4-Seat Kick-Out Rock Sliders | Part # 2882079-737



Aluminum Sport Roof, 4-Seat | Part # 2881592-458



Convex Rearview Mirror | Part # 2881540

Accessories



Folding Side Mirrors | Part # 2881198



Hard Coat Poly Full Windshield with Lock & Ride Technology, Clear | Part # 2883110



Lock & Ride 69 QT Cargo Box | Part # 2881193



Polaris Front Deluxe Bumper - Indy Red | Part # 2881591-293

Accessories



Polaris HD 3,500 LB Winch | Part # 2881671



Poly Sport Roof, 4-Seat | Part # 2883074



Polaris Rear Deluxe Bumper - Black | Part # 2880164-458



Polaris Rear Low Pro Bumper - Red | Part # 2881589-293

Accessories



Rear Low Profile Bumper | Part # 2879450-133